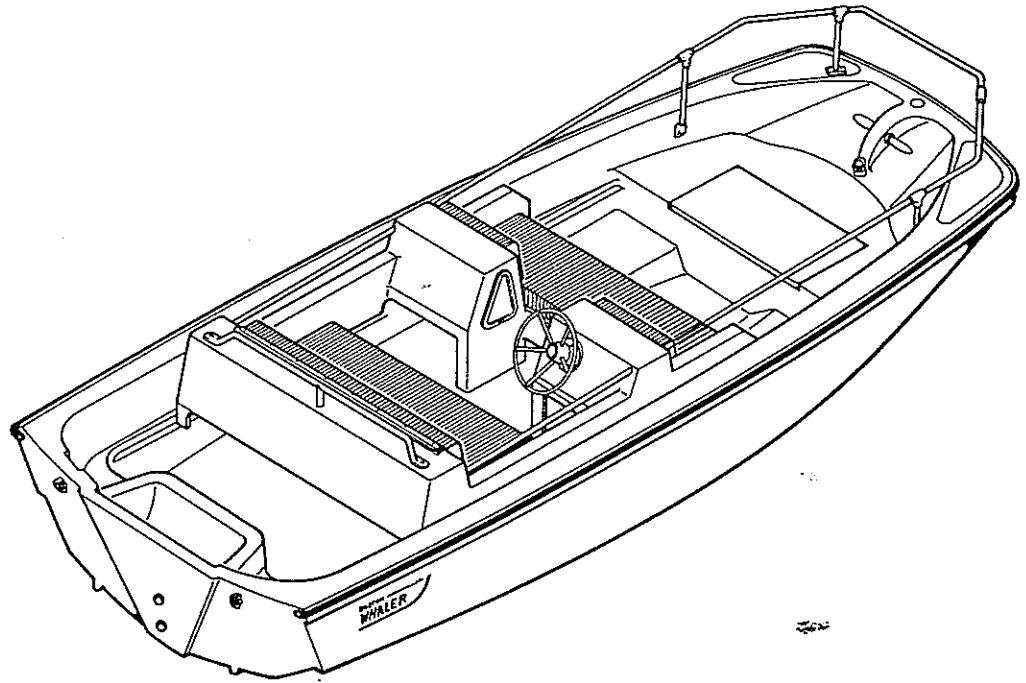


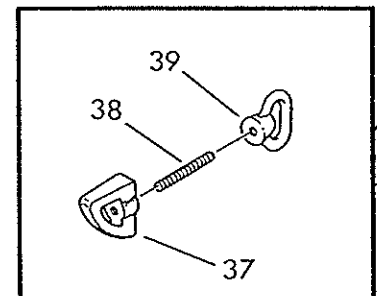
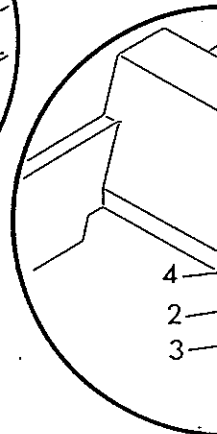
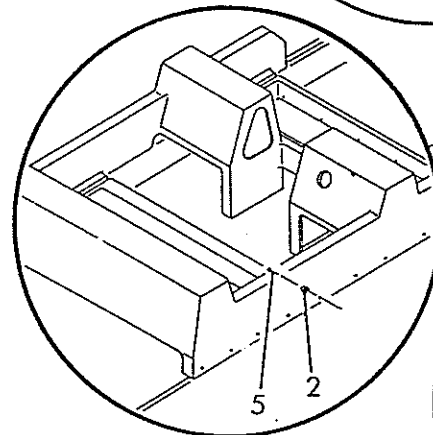
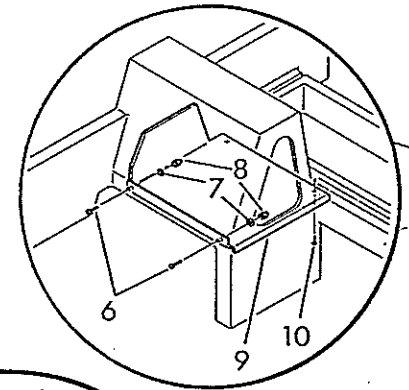
13' Super Sport Limited



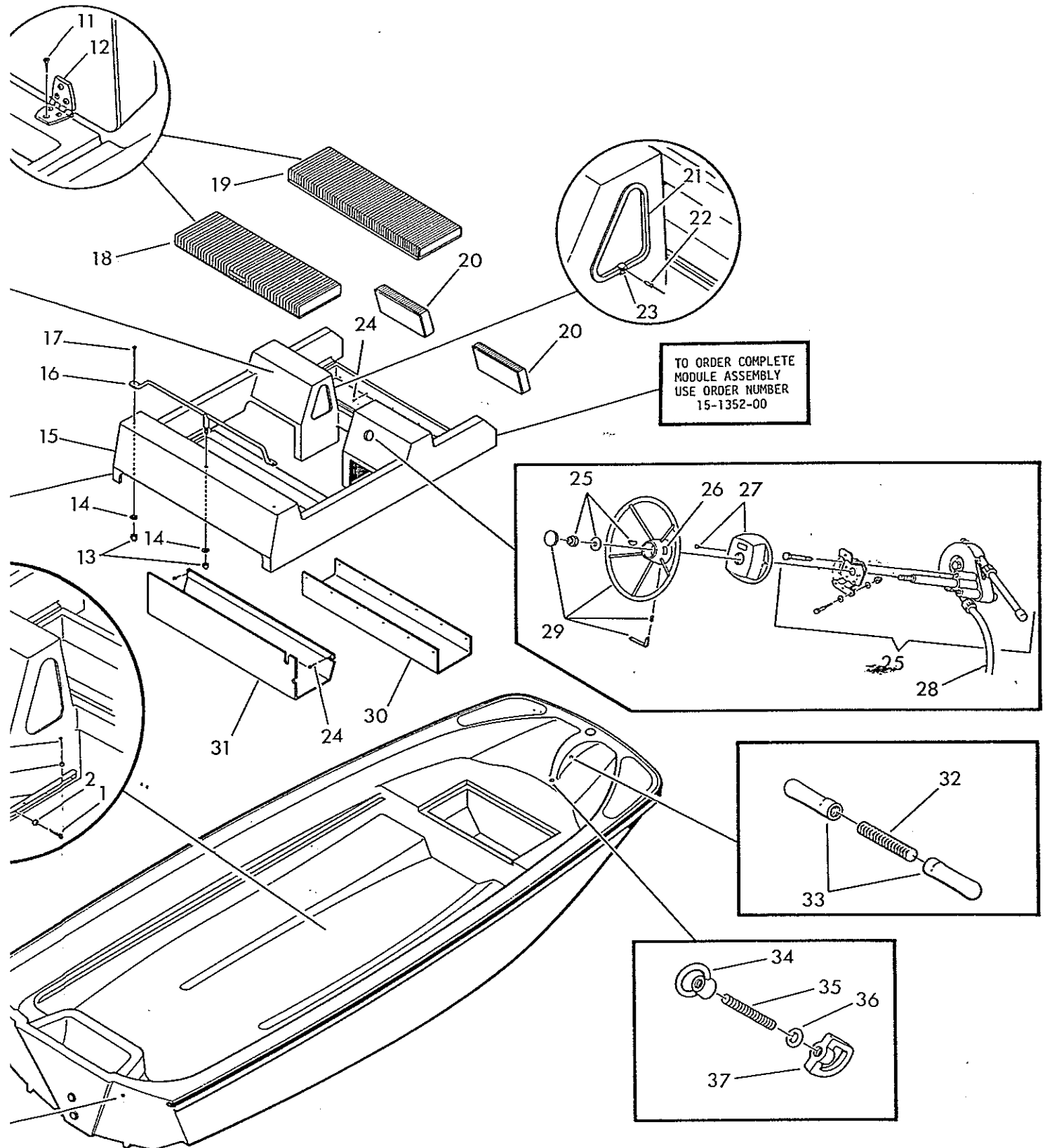
a CML Group Company since 1969



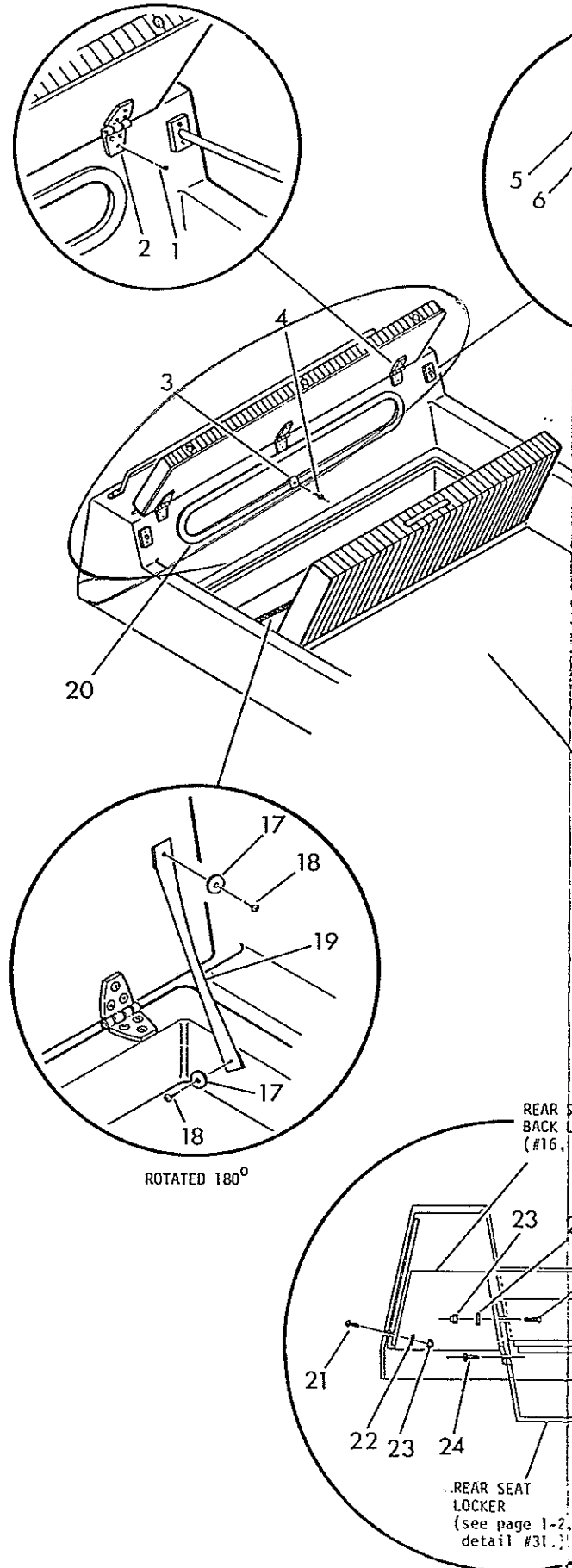
Det.	Part Number	Qty.	Description
1	82002500	6	Screw, #10x1-1/2" (3 each side-Port and Starboard.)
2	82002800	30	Washer, Finish, #10
3	62916900	2	Cleat
4	82372300	4	Screw, #10x1-3/4"
5	82002400	20	Screw, #10x2"
6	82061600	2	Screw, #8-32x1"
7	82062500	2	Washer, Flat, #8
8	82158400	2	Stopnut, Elastic, Brass, #8-32
9	12794900	1	Bin, Port Storage
10	82009800	2	Screw, #8x5/8"
11	82067900	36	Screw, #8x7/8" (18 each side-Forward and Aft. Seats.)
12	12792000	6	Hinge, Plastic (3 each-Forward and Aft. Seats.)
13	82150900	3	Stopnut, Elastic, Brass, #1/4-20
14	82035200	3	Washer, Flat, #1/4"
15	22791300	1	Module, 13' Super Sport Limited
16	12792300	1	Rail, Grab, 48"
17	82106600	2	Screw, #1/4"-20x2-1/4"
18	12796400	1	Cushion, Seat, Aft.
19	12796300	1	Cushion, Seat, Forward
20	12796500	2	Cushion, Seat Back, Forward
21	43024400	1	Trim Loc Tan, 30.5"
22	82794600	1	Rivet, Pop, 5/32"
23	12298500	1	Clip, Trim Edge
24	82009800	14	Screw, #8x5/8" (hardware to attach Forward Seat Locker.)
25	12349100	1	Helm, Steerer, Single Cable
26	12217500	1	Label, Warning, Pull Steering
27	12348900	1	Bezel, 90 degree
28	12797100	1	Cable, Steerer, 10'
29	12083800	1	Wheel, Steering, Stainless Steel (to order packaged Stainless Steering Wheel Assembly use order number #15061200.)
30	1279400	1	Locker, Forward Seat (see detail #24 for attaching hardware)
31	12795000	1	Locker, Rear Seat (see page 3 and 4 for attaching hardware)
32	12001600	1	Stud, 3/8"x3-1/2"
33	12557400	2	Pin, Norman, Chrome
34	12017800	1	Nut, Eye, Chrome, 1/2"
35	12255001	1	Stud, Eye, 6-5/8"
36	12025200	1	Seal, Bow Eye
37	12255000	3	Head Bow and Ski Eye
38	12255002	2	Stud, Eye, 4"
39	12320600	2	Nut, Eye



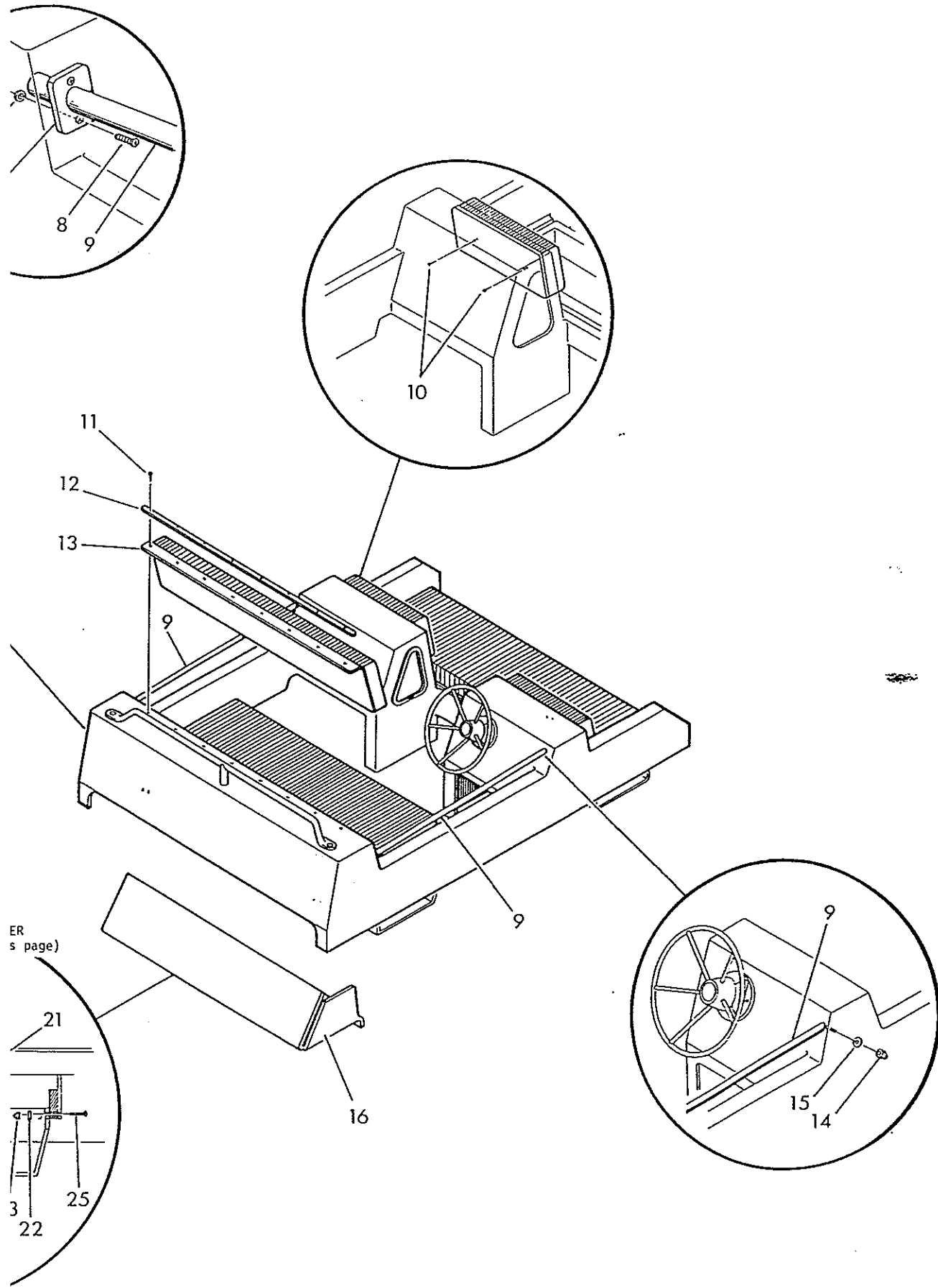
13' Super Sport Limited



Det.	Part Number	Qty.	Description
1	82067900	18	Screw, #8x7/8"
2	12792000	3	Hinge, Plastic
3	12298500	1	Clip, Trim Edge
4	82794600	1	Rivet, Pop, 5/32"
5	82158400	4	Stopnut, Elastic, Brass, #8-32 (2 each side-Port and Starboard.)
6	82062500	4	Washer, Flat, #8 (2 each side-Port and Starboard.)
7	72795900	2	Plate, Side, Rail (1 each side-Port and Starboard.)
8	82019608	4	Screw, #8-32x1" (2 each side-Port and Starboard.)
9	72795800	2	Rail, Side, Seat Module (1 each side-Port and Starboard.)
10	82183200	4	Screw, #8-32x1" (2 each side-Port and Starboard.)
11	82121100	8	Screw, #6x3/4"
12	12428100	1	Strake, Rub, Stainless Steel
13	12796600	1	Cushion, Back, Aft. Seat
14	82150900	2	Stopnut, Elastic, Brass, #1/4-20 (1 each side-Port and Starboard.)
15	82035200	2	Washer, Flat, #1/4" (1 each side-Port and Starboard.)
16	12795100	1	Locker, Back, Rear Seat
17	82091700	8	Washer, Flat (4 each seat-Forward and Aft.)
18	82009800	8	Screw, #8x5/8" (4 each seat-Forward and Aft.)
19	12761900	4	Strap, Restraining, Storage (2 each seat-Forward and Aft.)
20	43024400	1	Trim Loc Tan, 97.5"
21	82136800	8	Screw, #8-32x1"
22	82062500	12	Washer, Flat, #8
23	82158400	12	Stopnut, Elastic, Brass, #8-32
24	82033700	9	Rivet, Pop
25	82786100	4	Screw, #8-32x1-3/8"



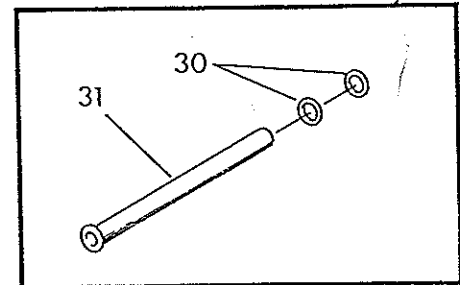
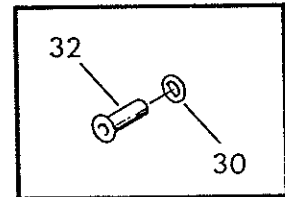
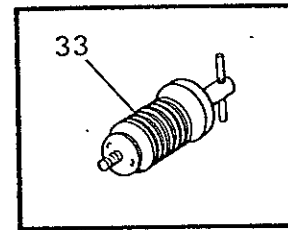
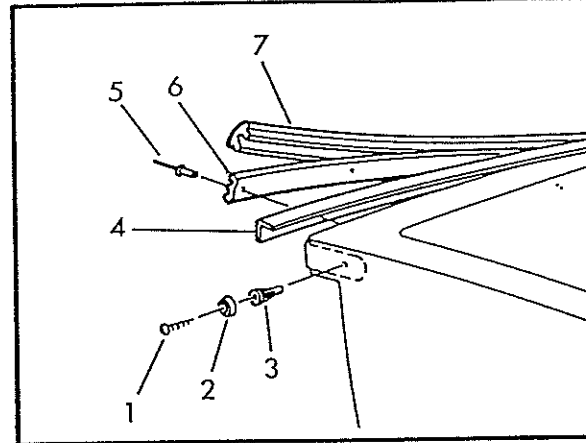
13' Super Sport Limited



Det.	Part Number	Qty.	Description
1	82009900	2	Screw, #10x1"
2	82002800	2	Washer, Finish, #10
3	12556200	2	Anchor, Screw, Plastic
4	12130600	1	Vinyl, Flex, Moonstone, 29'
5	82136100	68	Rivet, Pop, 3/16x5/8 Grip
6	12081900	1	Vinyl, Rigid, Moonstone, 29'
7	12082200	1	Vinyl, Flex, Black, 29'
8	12065800	2	Strap, Eye
9	82033700	2	Rivet, Pop, 3/16x1/2" Grip
10	82418000	2	Screw, #6x5/8"
11	62922800	1	Cleat
12	82068500	3	Screw, #10x1-1/4"
13	15060500	1	Shock Cord Assembly
14	72010700	2	Base, Rail
15	82008900	4	Screw, #10x1"
16	72795203	2	Stanchion, Rail
17	72011000	2	Tee, Rail
18	82020700	18	Screw, #10x1/2"
19	72795700	2	Rail, Bow Side
20	22907100	1	Cover, Locker
21	12155000	1	Caplug, Yellow
22	72795201	1	Rail, Bow (includes (2) Rail Tees #72011000.)
23	72019304	2	Dog, Hot
24	72795203	2	Stanchion, Bow Rail Side
25	82008200	4	Screw, #10-24x1"
26	72040506	2	Base, Rail
27	72019800	2	Fitting, Thru-Hull
28	43001100	1	Cord, Zip, 2 Strand, 16'
29	12335500	set	Logo, Boston Whaler, 18"
30	12006900	3	O-Ring, Neoprene
31	12012800	1	Tube, Drain, 14"
32	12276400	1	Tube, Drain, 2"
33	12018100	1	Plug, Drain
34	12424800	1	Plate, Capacity
35	82065700	4	Rivet, Pop, 1/8x1/4" Grip

Pamphlets

- 12316100 Boat Pamphlet
- 12448200 Owner's Manual, 9-17' Boats
- 15013300 Wood Locating Diagram
- 15134700 Packing List, 13' Super Sport Limited
- 32013100 Owner's Instruction Check Sheet
- 32013200 C.G.290 Coast Guard Regulation Booklet



U.S. COAST GUARD
MAXIMUM CAPACITIES

6 PERSONS OR 900 LBS

1200 LBS. PERSONS, MOTOR, GEAR
40 H.P. MOTOR

THIS BOAT COMPLIES WITH U.S. COAST GUARD SAFETY STANDARDS IN EFFECT ON THE DATE OF CERTIFICATION WITH THE EXCEPTION OF DISPLAY OF MAXIMUM WEIGHT/CAPACITY AND MAXIMUM PERSONS CAPACITY AS AUTHORIZED BY GRANT OF EXEMPTION CGO 77-165.

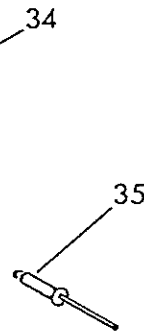
MANUFACTURED BY: BOSTON WHALER INC. ROCKLAND, MASS.

MODEL: 174' SPORT

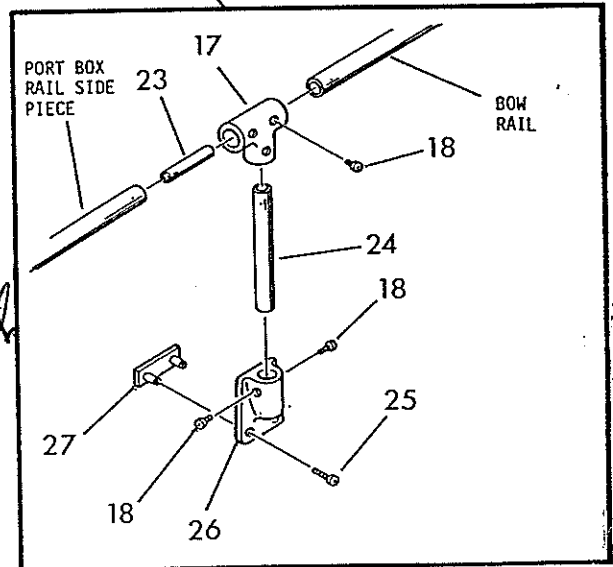
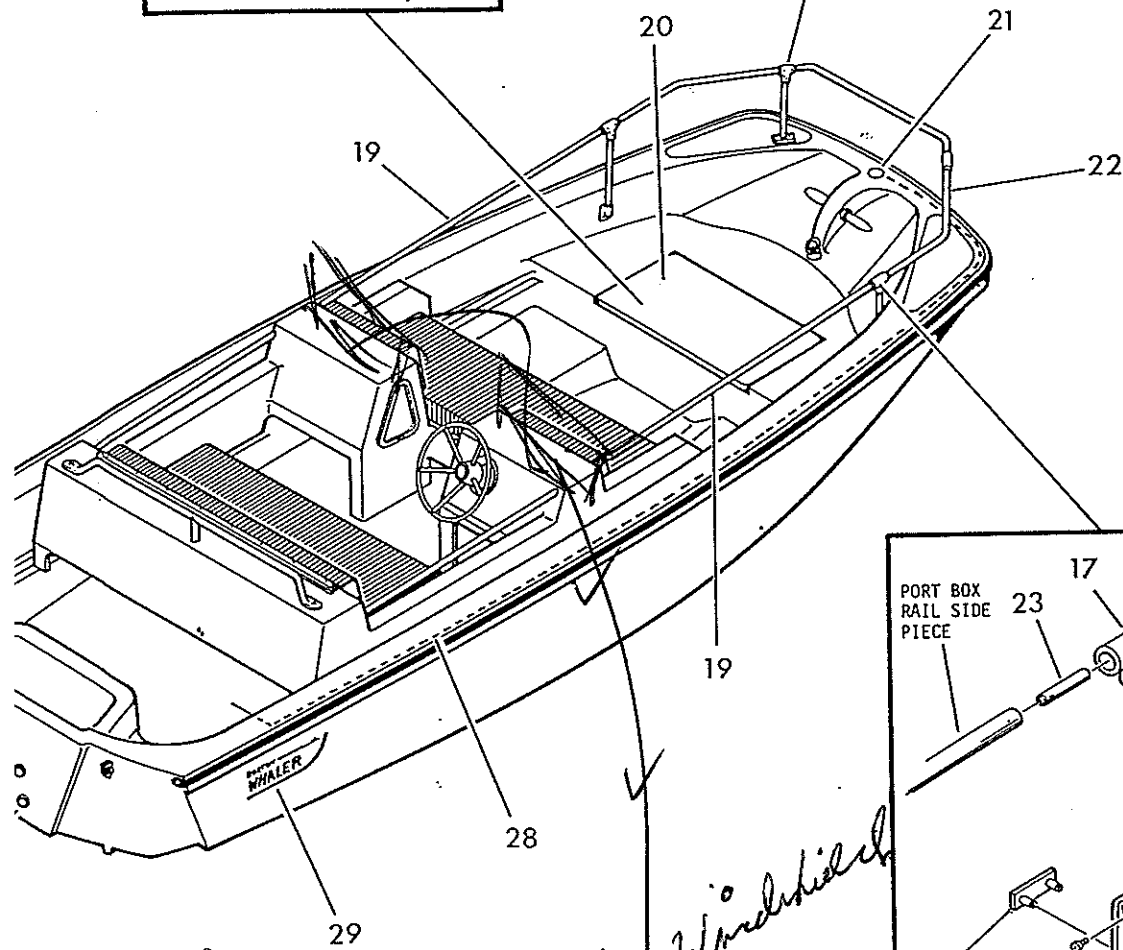
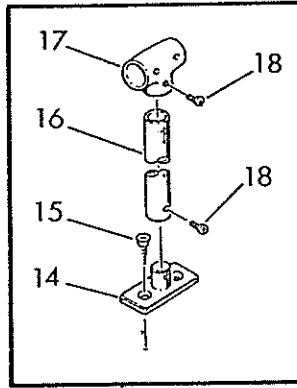
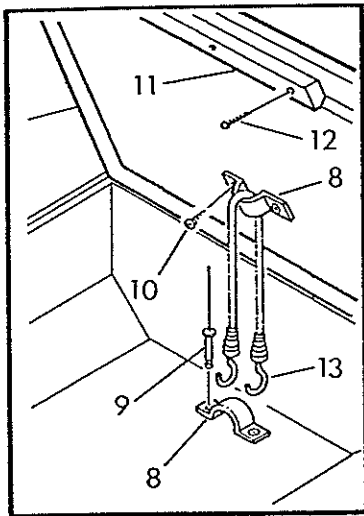
DESIGN COMPLIANCE WITH BIA REQUIREMENTS BELOW IS VERIFIED. MGR. RESPONSIBLE FOR PRODUCTION CONTROL.

LOAD AND H.P. CAPACITY • LEVEL FLUTATION
COMPARTMENT VENTILATION • STEERING SYSTEM

BOATING INDUSTRY ASSOCIATIONS



13' Super Sport Limited



ROTATED 180°

Two Windshields

(2) 15-1353-00
windshield option

① 12-7810-00 displacement windshield