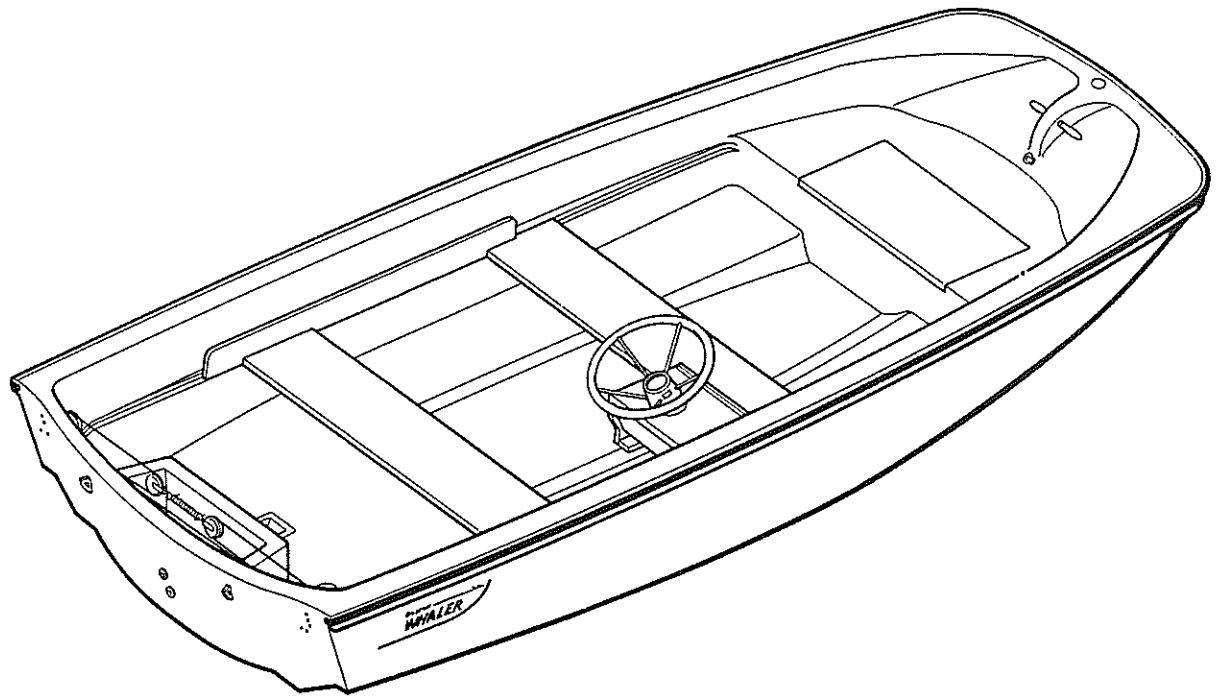


13' Standard/Sport

Bow Rail kit
15-00418-00
Side Rail kit



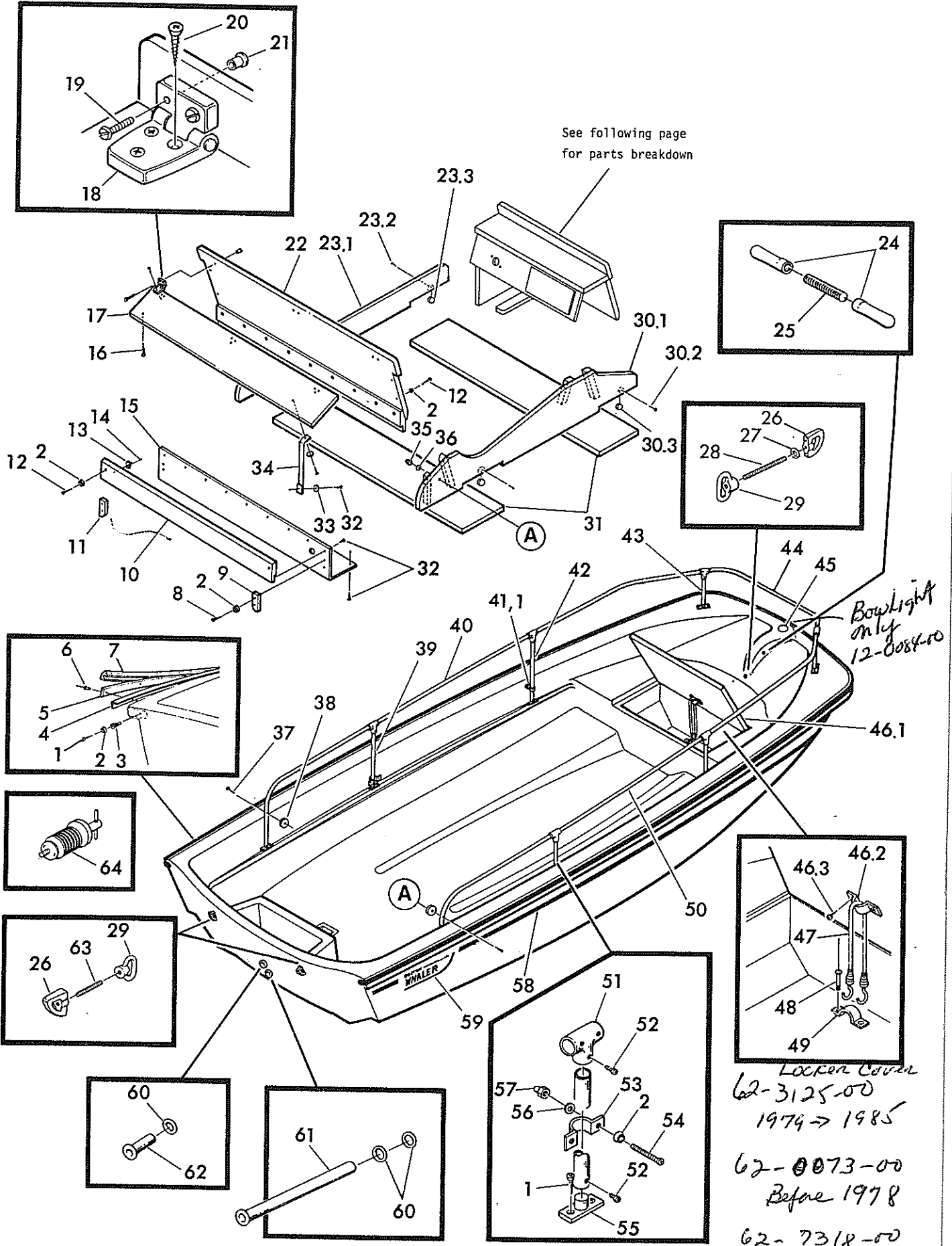
Det.	Part Number	Qty.	Description
1	82009900	18	Screw, #10x1"
2	82002800	22	Washer, Finish, #10
3	12656200	2	Anchor, Screw, #10
4	12130600	1	Vinyl, Flex, White, 29'
5	12081900	1	Vinyl, Rigid, White, 29'
	*12557800	3	Rail, Rub, Aluminum
6	82136100	68	Rivet, Pop, 3/16x5/8"
7	12082200	1	Vinyl, Flex, Black, 29'
	*43033900	1	Vinyl, Flex, Black, 29'
8	82009600	4	Screw, #10x1-1/2"
9	62559800	1	Trim Piece, Aft. Locker, Starboard
10	62556900	1	Jamb, Locker
11	62559700	1	Trim Piece, Aft. Locker, Port
12	82002400	8	Screw, #10x2"
13	12060900	2	Catch
14	82121400	4	Screw, #4x3/4"
15	12556700	1	Locker, Kydex
16	12060900	2	Screw (included with Catch 13)
17	62556600	1	Cover, Locker, Aft.
18	12113000	3	Hinge
19	82546200	6	Screw, #10-24x3/4"
20	82010100	9	Screw, #8x3/4"
21	82408600	6	Nut, Barrel, #10-24
22	62556500	1	Aft Seat Back Assembly
23	15095700	1	Port Seat Clamp Assembly (includes parts 23.1 - 23.3)
23.1	62556400	1	Clamp, Seat, Port
23.2	82002700	2	Pin, #18x5/8"
23.3	12007500	2	Disc, Rubber
24	12001700	2	Pin, Norman
	*12557400	2	Pin, Norman, Chrome
25	12001600	1	Stud, 3/8x3-7/32"
26	12255000	3	Head, Bow
27	12025200	1	Seal, Bow, Eye
28	12255001	1	Stud, 6-5/8"
29	12017800	3	Nut, Eye, Chrome
30	15095800	1	Starboard Seat Clamp Assembly (includes parts 30.1 - 30.3)
30.1	62556300	1	Clamp, Seat, Starboard
30.2	62002700	2	Pin, #18x5/8"
30.3	12007500	2	Disc, Rubber
31	62005100	2	Seat
32	82009800	20	Screw, #8x5/8"
33	82091700	2	Washer, Flat, #19x1"
34	12587000	1	Strap, Cover, Locker
35	82089900	2	Nut, Acorn, #10-24
36	82016400	2	Washer, Flat, #10
37	82092900	2	Screw, #10-24x2"
38	12519200	2	Washer, Kydex, Black
39	72557905	2	Stanchion, Aft
40	72557902	1	Rail, Side, Port
41	72010800	2	Support, Stanchion, Angle
42	72557904	2	Stanchion, Mid
43	72557903	2	Stanchion, Bow
44	72557901	1	Rail, Bow (includes 43010900 Stainless Steel Tubing 7/8x129" and (2) 72011000 Stainless Steel Rail Tees)

Det.	Part Number	Qty.	Description
45	12155000	1	Caplug (remove this piece to gain access to Zip Cord 43001100 (not shown) 16 feet on 13' Models when adding Bow Lights)
46	15061500	1	Forward Locker Cover Assembly (includes parts 46.1 - 46.3)
46.1	62312500	1	Cover, Locker, Forward
46.2	12000301	1	Strap, Eye
46.3	82009800	2	Screw, #8x5/8"
47	15060500	1	Shock Cord Assembly
48	82033700	2	Rivet, Pop, 3/16x1/2"
49	12000301	1	Strap, Eye
50	72557900	1	Rail, Side, Starboard
51	72011000	6	Tee, Rail
52	82020700	26	Screw, #10-24x1/2"
53	72556900	2	Strap, Rail
54	82017600	4	Screw, #10-32x1-1/4"
55	72010700	8	Base, Rail
56	82016400	4	Washer, Flat, #10
57	82017500	4	Nut, Achorn, #10-32
58	*43019300	1	Tape, Vinyl, Black, Stripping, 1/2"x22'
59	12335500	1	Decal
	*12557000	1	Decal, 25th Anniversary
60	12008900	3	O-Ring, Neoprene
61	12012800	1	Tube, Drain, 14"
62	12276400	1	Tube, Drain, 2"
63	12255002	2	Stud, 4"
64	12018100	2	Plug, Drain

Pamphlets

12316100	Boat Pamphlet
12448200	Boston Whaler Owner's Manual
15096100	Packing List 13' Special Edition
15096300	Wood Locating Diagram
15099800	Packing List 13' Super Sport
32013100	Owner's Instruction Check Sheet
32013200	Owner's Instruction Envelope
32015400	GC 290 Coast Guard Regulation Booklet

13' Super Sport



Det.	Part Number	Qty.	Description
1	12424800	1	Label, Capacity
2	82065700	4	Rivet, Pop, 1/8x1/4"
3	12083800	1	Wheel, Steering, Stainless (to order packaged, Stainless Wheel Assembly use order number 15061200)
4	15095900	1	Wheelbox/Steerer Sub Assembly (includes parts 4.1 - 4.6)
4.1	12349100	1	Steerer, Helm, Single Cable
4.2	12346900	1	Bezel, 90°
4.3	62556200	1	Wheel Box Assembly
4.4	12557600	1	Panel, Instrument
4.5	82092700	4	Screw, #6x1/2"
4.6	12557700	1	Cable, Steering
5	12133000	1	Label
6	12127300	2	Clip
7	12155000	1	Caplug (remove this piece to gain access to Zip Cord 43001100 (not shown) 16' feet on 13' models when adding Stern Light)
8	82009800	2	Screw, #8x5/8"
9	82002400	9	Screw, #10x2"
10	82002800	9	Washer, Finish, #10
11	62540800	1	Cleat

U.S. COAST GUARD
MAXIMUM CAPACITIES

6 PERSONS OR 900 LBS

**1200 LBS. PERSONS, MOTOR, GEAR
40 H. P. MOTOR**


THIS BOAT COMPLIES WITH U.S. COAST GUARD SAFETY
STANDARDS IN EFFECT ON THE DATE OF CERTIFICATION
WITH THE EXCEPTION OF DISPLAY OF MAXIMUM
WEIGHT/CAPACITY AND MAXIMUM PERSONS CAPACITY
AS AUTHORIZED BY GRANT OF EXEMPTION CGD 77-185.

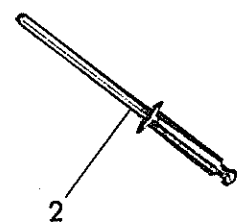
MANUFACTURER: **BOSTON WHALER INC.**
ROCKLAND, MASS.

MODEL: **13'4" SPORT**

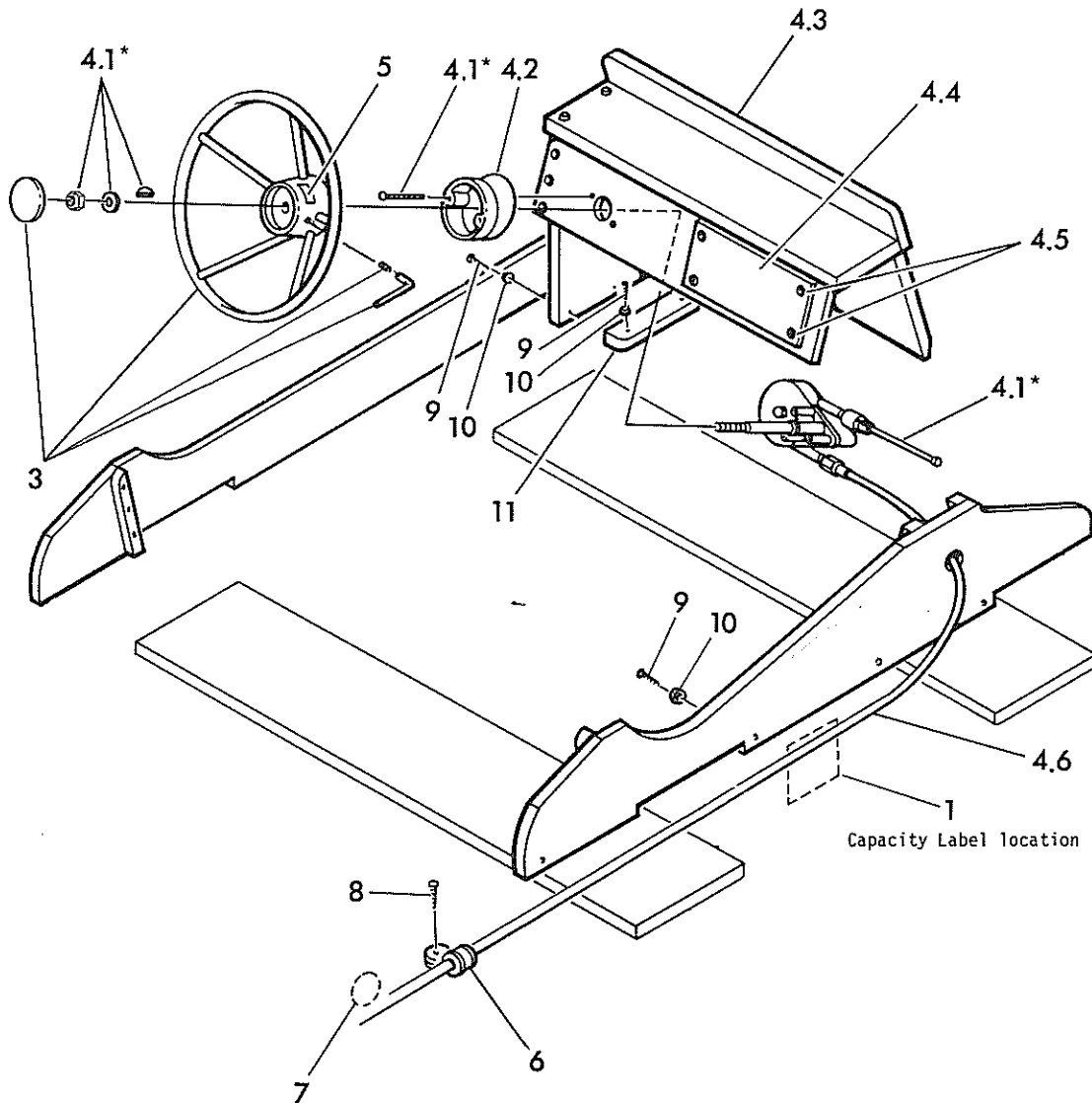
DESIGN COMPLIANCE WITH BIA REQUIREMENTS BELOW IS
VERIFIED. MFR. RESPONSIBLE FOR PRODUCTION CONTROL.

LOAD AND H. P. CAPACITY • LEVEL FLOTATION
COMPARTMENT VENTILATION • STEERING SYSTEM

 BOATING INDUSTRY ASSOCIATIONS



13' Super Sport



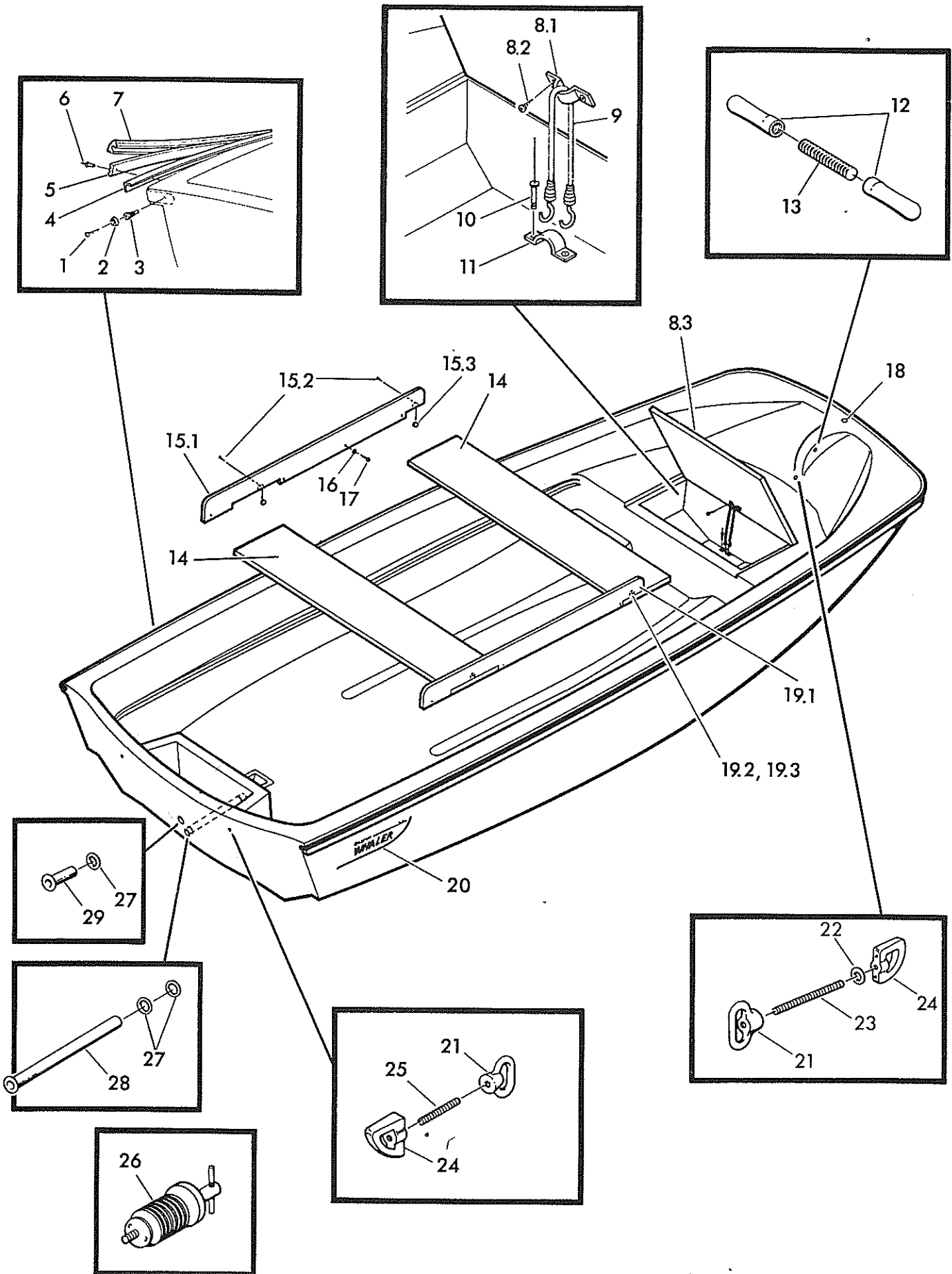
*Parts that make up detail 4.1 are found in three locations on this page.

Det.	Part Number	Qty.	Description
1	82009900	2	Screw, #10-24x1"
2	82002800	2	Washer, Finish, #10
3	12656200	2	Anchor, Screw, #10
4	12130600	1	Vinyl, Flex, White, 29'
5	12081900	1	Vinyl, Rigid, White, 29'
6	82136100	68	Rivets, Pop, 3/16x5/8"
7	12082200	1	Vinyl, Flex, Black, 29'
8	15061500	1	Locker Cover Assembly (includes parts 8.1 - 8.3)
8.1	12000301	1	Strap, Eye
8.2	82009800	2	Screw, #8x5/8"
8.3	62312500	1	Cover, Locker
9	15060500	1	Shock Cord Assembly
10	82033700	2	Rivet, Pop, .3/16x1/2"
11	12000301	1	Strap, Eye
12	12001700	2	Pin, Norman
13	12001600	2	Stud, 3/8-24x3"
14	62005100	2	Seat
15	14051310	1	Port Seat Clamp Assembly (includes 15.1 - 15.3)
15.1	62005201	1	Clamp, Seat, Port
15.2	82002700	2	Pin, #18x5/8"
15.3	12007500	2	Disc, Rubber
16	82002800	8	Washer, Finish, #10
17	82002400	8	Screw, #10x2"
18	12155000	1	Caplug (remove this Piece to gain access to Zip Cord 43001100 (not shown) 16 feet on 13' Models when adding Bow Lights)
19	15051311	1	Starboard Seat Clamp Assembly Standard Model (includes parts 19.1 - 19.3)
19.1	62005202	1	Clamp, Seat, Starboard
19.2	82002700	2	Pin, #18x5/8"
19.3	12007500	2	Disc, Rubber
20	12335500	1	Decal
21	12320600	3	Nut
22	12025200	1	Seal, Eye, Bow
23	12255001	1	Stud, 6-5/8"
24	1225500	3	Head
25	12255002	2	Stud, 4"
26	12018100	2	Plug, Drain
27	12008900	3	O-Ring, Neoprene
28	12012800	1	Tube, Drain, 14"
29	12276400	1	Tube, Drain, 2"

Pamphlets

12316100	Boat Pamphlet
12448200	Boston Whaler Owner's Manual
15012300	Packing List
15013300	Wood Locating Diagram
32013100	Owner's Instruction Check List
32013200	Owner's Instruction Envelope
32015400	GC 290 Coast Guard Regulation Booklet

13' Standard/Sport



Det.	Part Number	Qty.	Description
1	12424700	1	Label, Capacity, 13' Standard
2	82065700	4	Rivet, Pop, 1/8x1/4"
3	*12424800	1	Label, Capacity, 13' Sport
4	12217500	1	Label
5	82016200	9	Screw
6	82002800	13	Washer, Finish, #10
7	82114300	7	Nut
8	12023700	1	Link, Lap
9	12022400	3	Pulley, Transom
10	12000100	4	Clamp, Cable
11	12001000	2	Thimble
12	12079400	5	Strap, Eye, Flat
13	15061300	1	Spring and Pulley Assembly (includes parts 13.1 - 13.3)
13.1	12022400	2	Pulley, Transom
13.2	12023700	1	Link, Lap
13.3	12016802	1	Spring, Rope, Tiller
14	12083800	1	Wheel, Steering, Stainless (to order packaged Steering Wheel Assembly use order number 15061200)
15	15050900	1	Wheel Box with Steerer (includes parts 15.1 - 15.4)
15.1	1200201 12-002-01	1	Column and Drum
15.2	62005500 <i>OLD</i>	1	Box, Wheel <i>62-5407-00 NEW</i>
15.3	12531400	1	Cable, Tiller
15.4	12224000	1	Caplug
16	12133000	1	Label
17	82002400	13	Screw, #10x2"
18	15051300	1	Starboard Seat Clamp Assembly - Sport Model (includes parts 17.1 - 17.7)
18.1	62005203	1	Clamp, Seat, Starboard
18.2	82002700	2	Pin, #18x5/8"
18.3	82018300	4	Screw, #8x3/4"
18.4	12007500	2	Disc, Rubber
18.5	12161000	2	Pulley, Coaming
18.6	12022800	2	Guide, Tiller, Rope
18.7	82009800	4	Screw, #8x5/8"
19	62005900	1	Cleat

U.S. COAST GUARD
MAXIMUM CAPACITIES

6 PERSONS OR 900 LBS

**1200 LBS. PERSONS, MOTOR, GEAR
20 H. P. MOTOR**

THIS BOAT COMPLIES WITH U.S. COAST GUARD SAFETY STANDARDS IN EFFECT ON THE DATE OF CERTIFICATION WITH THE EXCEPTION OF DISPLAY OF MAXIMUM WEIGHT/CAPACITY AND MAXIMUM PERSONS CAPACITY AS/AUTHORIZED BY GRANT OF EXEMPTION CGD 77-105.

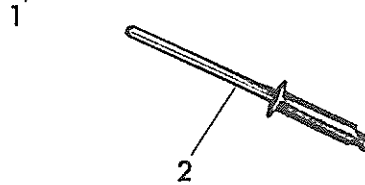
MANUFACTURER: **BOSTON WHALER INC.**
ROCKLAND, MASS.

MODEL: **13'4" STANDARD**

DESIGN COMPLIANCE WITH BIA REQUIREMENTS BELOW IS VERIFIED. MFG. RESPONSIBLE FOR PRODUCTION CONTROL.

LOAD AND H.P. CAPACITY • LEVEL FLOTATION
COMPARTMENT VENTILATION

BOATING INDUSTRY ASSOCIATIONS



U.S. COAST GUARD
MAXIMUM CAPACITIES

6 PERSONS OR 900 LBS

**1200 LBS. PERSONS, MOTOR, GEAR
40 H. P. MOTOR**

THIS BOAT COMPLIES WITH U.S. COAST GUARD SAFETY STANDARDS IN EFFECT ON THE DATE OF CERTIFICATION WITH THE EXCEPTION OF DISPLAY OF MAXIMUM WEIGHT/CAPACITY AND MAXIMUM PERSONS CAPACITY AS/AUTHORIZED BY GRANT OF EXEMPTION CGD 77-105.

MANUFACTURER: **BOSTON WHALER INC.**
ROCKLAND, MASS.

MODEL: **13'4" SPORT**

DESIGN COMPLIANCE WITH BIA REQUIREMENTS BELOW IS VERIFIED. MFG. RESPONSIBLE FOR PRODUCTION CONTROL.

LOAD AND H. P. CAPACITY • LEVEL FLOTATION
COMPARTMENT VENTILATION • STEERING SYSTEM

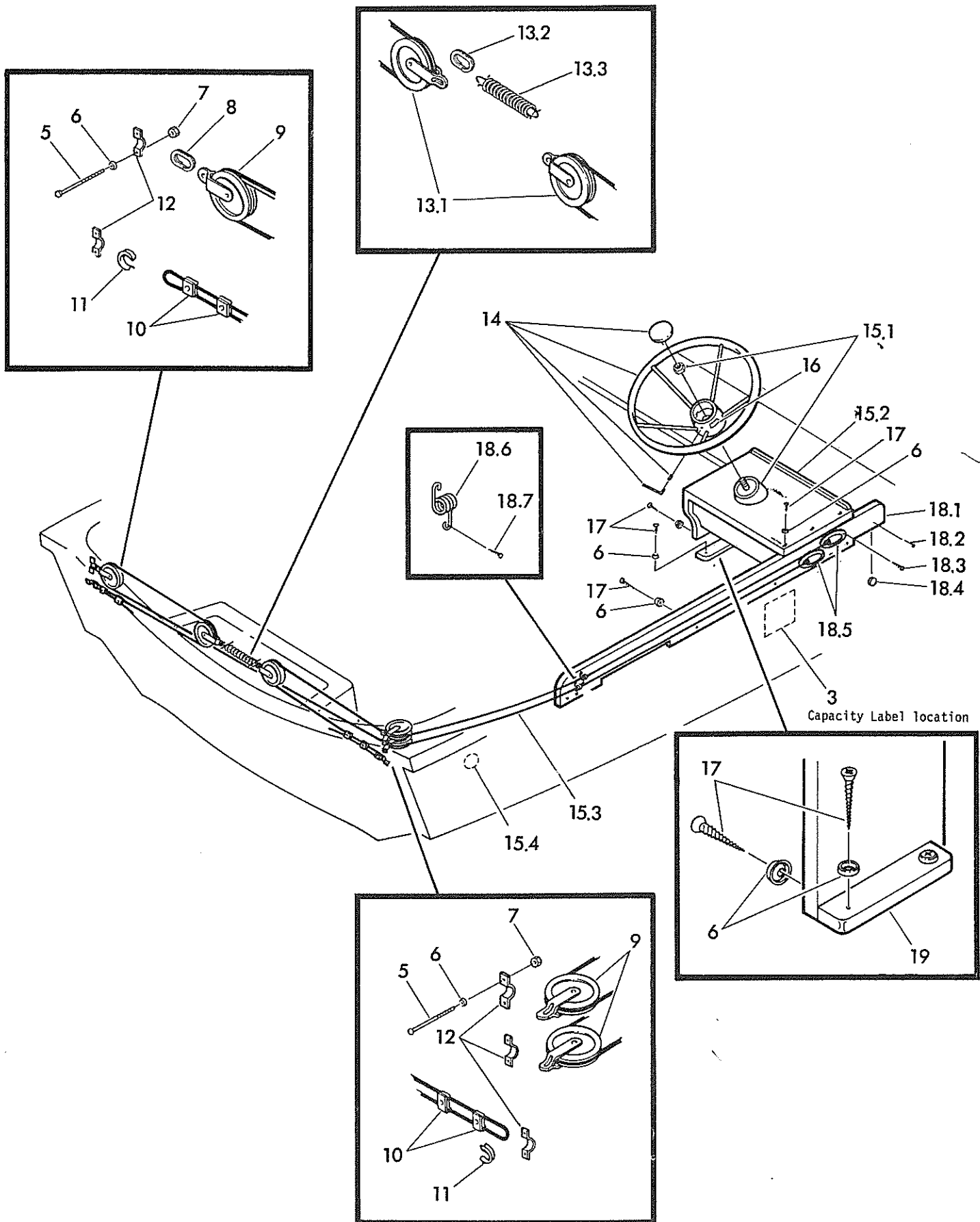
BOATING INDUSTRY ASSOCIATIONS

**BOSTON
WHALER**

This boat is set up for thru tilt-tube type steering. For engines that require a transom bracket order Transom Bracket Kit 15020400.

12217500

13' Standard/Sport



Det.	Part Number	Qty.	Description
1	12424800	1	Label, Capacity, 13' Sport
2	82065700	4	Rivet, Pop, 1/8x1/4"
3	12083800	1	Wheel, Steering, Stainless (to order packaged Steering Wheel Assembly use order number 15061200)
4	15051000	1	Mechanical Steering Sub-Assembly (includes parts 4.1 - 4.4)
4.1	12349100	1	Helm, Steerer, Cable, Single
4.2	12349000	1	Bezel, 20°
4.3	62540700	1	Wheel, Box
4.4	12508800	1	Cable, Single
5	12133000	1	Label
6	82002400	13	Screw, #10x2"
7	82002800	13	Washer, Finish, #10
8	15051312	1	Starboard Seat Clamp Assembly (includes parts 8.1 - 8.3)
8.1	62511000	1	Clamp, Seat, Starboard
8.2	12007500	2	Pin, #18x5/8"
8.3	82002700	2	Disc, Rubber
9	12127300	2	Clip
10	82009800	2	Screw, #8x5/8"
11	62540800	1	Cleat

To order all the above parts necessary to convert the 13' Sport Model to Mechanical Steering use order number 15087800.

U.S. COAST GUARD
MAXIMUM CAPACITIES

6 PERSONS OR 900 LBS

1200 LBS. PERSONS, MOTOR, GEAR
40 H. P. MOTOR

THIS BOAT COMPLIES WITH U.S. COAST GUARD SAFETY STANDARDS IN EFFECT ON THE DATE OF CERTIFICATION WITH THE EXCEPTION OF DISPLAY OF MAXIMUM WEIGHT/CAPACITY AND MAXIMUM PERSONS CAPACITY AS AUTHORIZED BY GRANT OF EXEMPTION CGD 77-195.

MANUFACTURER: **BOSTON WHALER INC.**
ROCKLAND, MASS.

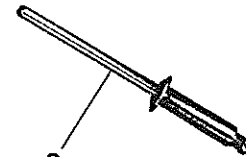
MODEL: 13'4" SPORT

DESIGN COMPLIANCE WITH BIA REQUIREMENTS BELOW IS VERIFIED. MFGR. RESPONSIBLE FOR PRODUCTION CONTROL.

LOAD AND H. P. CAPACITY • LEVEL FLOTATION
COMPARTMENT VENTILATION • STEERING SYSTEM

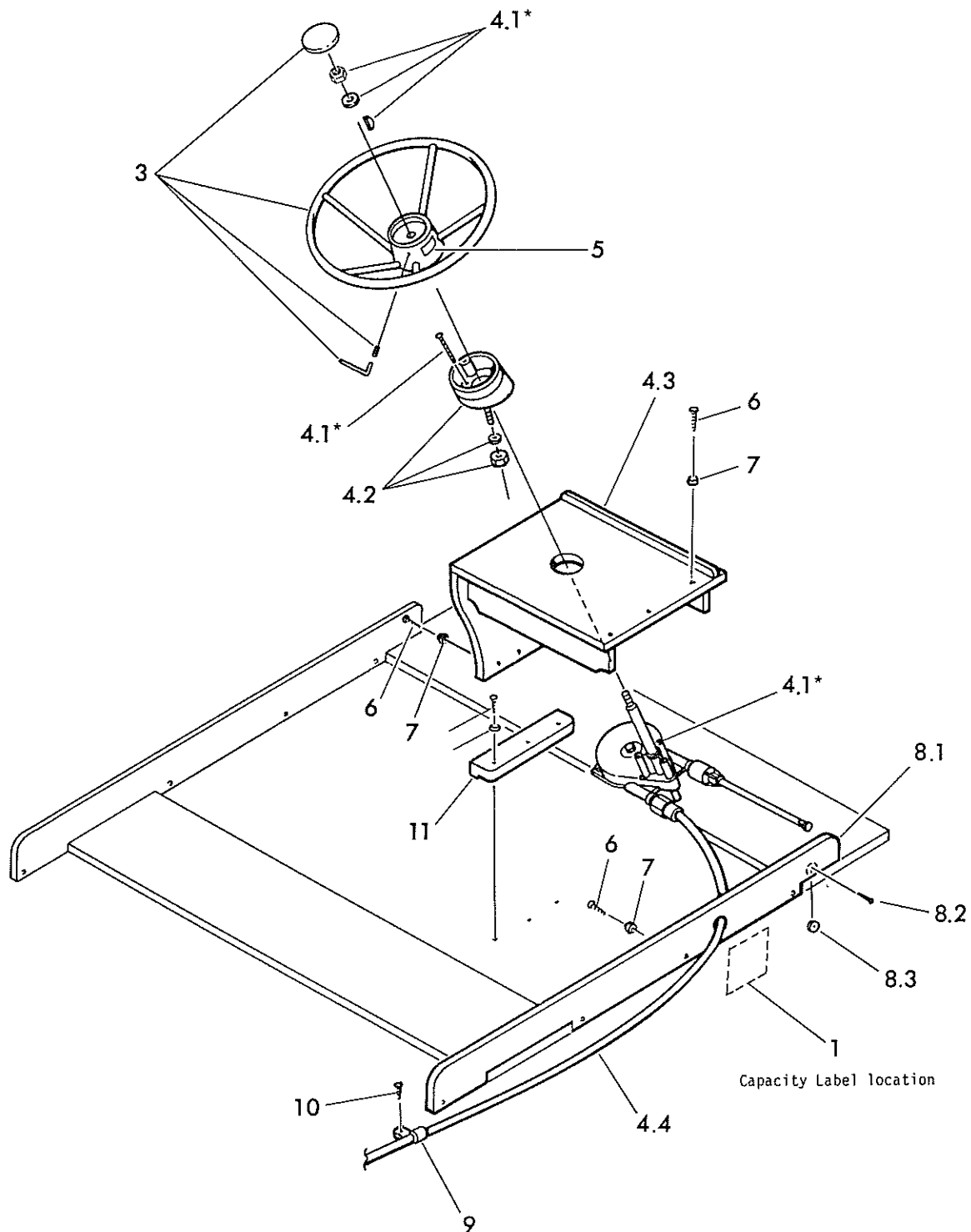
BOATING INDUSTRY ASSOCIATIONS

1



2

13' Standard/Sport



*Parts that make up detail 4.1 are found in three locations on this page.