

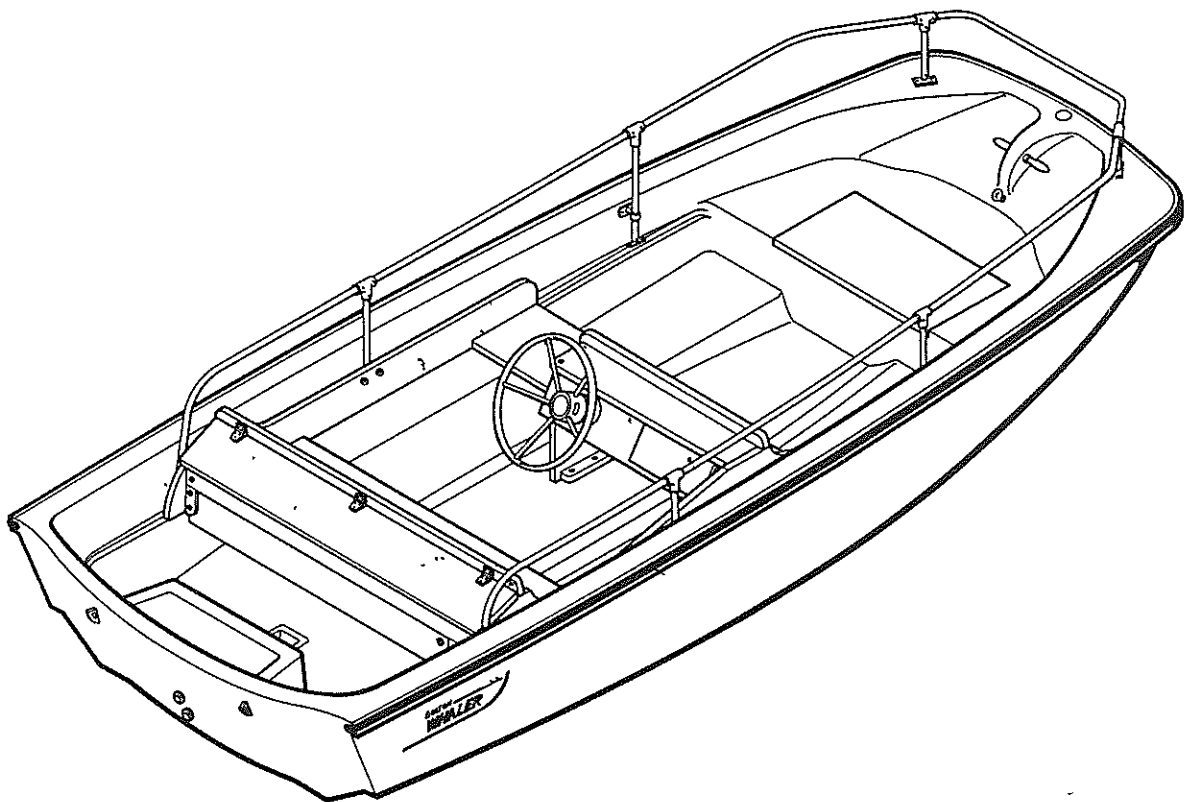
13' Super Sport

BOSTON
WHALER

®

Stain Guard

1301300000000000



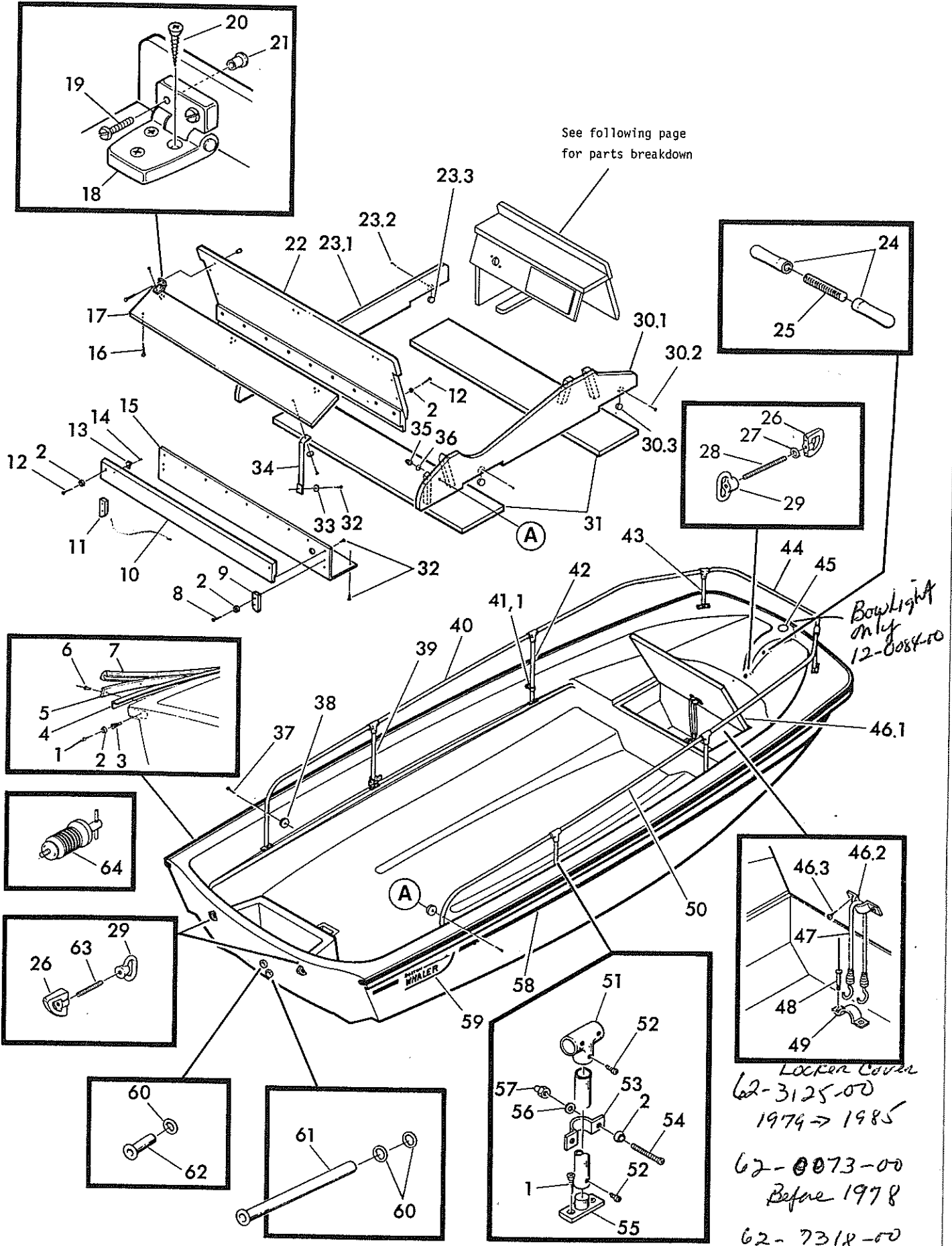
Det.	Part Number	Qty.	Description
1	82009900	18	Screw, #10x1"
2	82002800	22	Washer, Finish, #10
3	12656200	2	Anchor, Screw, #10
4	12130600	1	Vinyl, Flex, White, 29'
5	12081900	1	Vinyl, Rigid, White, 29'
	*12557800	3	Rail, Rub, Aluminum
6	82136100	68	Rivet, Pop, 3/16x5/8"
7	12082200	1	Vinyl, Flex, Black, 29'
	*43033900	1	Vinyl, Flex, Black, 29'
8	82009600	4	Screw, #10x1-1/2"
9	62559800	1	Trim Piece, Aft. Locker, Starboard
10	62556800	1	Jamb, Locker
11	62559700	1	Trim Piece, Aft. Locker, Port
12	82002400	8	Screw, #10x2"
13	12060900	2	Catch
14	82121400	4	Screw, #4x3/4"
15	12556700	1	Locker, Kydex
16	12060900	2	Screw (included with Catch 13)
17	62556600	1	Cover, Locker, Aft.
18	12113000	3	Hinge
19	82646200	6	Screw, #10-24x3/4"
20	82010100	9	Screw, #8x3/4"
21	82408600	6	Nut, Barrel, #10-24
22	62556500	1	Aft Seat Back Assembly
23	15095700	1	Port Seat Clamp Assembly (includes parts 23.1 - 23.3)
23.1	62556400	1	Clamp, Seat, Port
23.2	82002700	2	Pin, #18x5/8"
23.3	12007500	2	Disc, Rubber
24	12001700	2	Pin, Norman
	*12557400	2	Pin, Norman, Chrome
25	12001600	1	Stud, 3/8x3-7/32"
26	12255000	3	Head, Bow
27	12025200	1	Seal, Bow, Eye
28	12255001	1	Stud, 6-5/8"
29	12017800	3	Nut, Eye, Chrome
30	15095800	1	Starboard Seat Clamp Assembly (includes parts 30.1 - 30.3)
30.1	62556300	1	Clamp, Seat, Starboard
30.2	62002700	2	Pin, #18x5/8"
30.3	12007500	2	Disc, Rubber
31	62005100	2	Seat
32	82009800	20	Screw, #8x5/8"
33	82091700	2	Washer, Flat, #19x1"
34	12587000	1	Strap, Cover, Locker
35	82089900	2	Nut, Acorn, #10-24
36	82016400	2	Washer, Flat, #10
37	82092900	2	Screw, #10-24x2"
38	12519200	2	Washer, Kydex, Black
39	72557905	2	Stanchion, Aft
40	72557902	1	Rail, Side, Port
41	72010800	2	Support, Stanchion, Angle
42	72557904	2	Stanchion, Mid
43	72557903	2	Stanchion, Bow
44	72557901	1	Rail, Bow (includes 43010900 Stainless Steel Tubing 7/8x129" and (2) 72011000 Stainless Steel Rail Tees)

Det.	Part Number	Qty.	Description
45	12155000	1	Caplug (remove this piece to gain access to Zip Cord 43001100 (not shown) 16 feet on 13' Models when adding Bow Lights)
46	15061500	1	Forward Locker Cover Assembly (includes parts 46.1 - 46.3)
46.1	62312500	1	Cover, Locker, Forward
46.2	12000301	1	Strap, Eye
46.3	82009800	2	Screw, #8x5/8"
47	15060500	1	Shock Cord Assembly
48	82033700	2	Rivet, Pop, 3/16x1/2"
49	12000301	1	Strap, Eye
50	72557900	1	Rail, Side, Starboard
51	72011000	6	Tee, Rail
52	82020700	26	Screw, #10-24x1/2"
53	72556900	2	Strap, Rail
54	82017600	4	Screw, #10-32x1-1/4"
55	72010700	8	Base, Rail
56	82016400	4	Washer, Flat, #10
57	82017500	4	Nut, Achorn, #10-32
58	*43019300	1	Tape, Vinyl, Black, Stripping, 1/2"x22"
59	12335500	1	Decal
	*12557000	1	Decal, 25th Anniversary
60	12008900	3	O-Ring, Neoprene
61	12012800	1	Tube, Drain, 14"
62	12276400	1	Tube, Drain, 2"
63	12255002	2	Stud, 4"
64	12018100	2	Plug, Drain

Pamphlets

12316100	Boat Pamphlet
12448200	Boston Whaler Owner's Manual
15096100	Packing List 13' Special Edition
15096300	Wood Locating Diagram
15099800	Packing List 13' Super Sport
32013100	Owner's Instruction Check Sheet
32013200	Owner's Instruction Envelope
32015400	GC 290 Coast Guard Regulation Booklet

13' Super Sport



Effective 9/84

TURNED 180° TO SHOW ALL FASTENERS

Det.	Part Number	Qty.	Description
1	12424800	1	Label, Capacity
2	82065700	4	Rivet, Pop, 1/8x1/4"
3	12083800	1	Wheel, Steering, Strainless (to order packaged, Stainless Wheel Assembly use order number 15061200)
4	15095900	1	Wheelbox/Steerer Sub Assembly (includes parts 4.1 - 4.6)
4.1	12349100	1	Steerer, Helm, Single Cable
4.2	12346900	1	Bezel, 90°
4.3	62556200	1	Wheel Box Assembly
4.4	12557600	1	Panel, Instrument
4.5	82092700	4	Screw, #6x1/2"
4.6	12557700	1	Cable, Steering
5	12133000	1	Label
6	12127300	2	Clip
7	12155000	1	Caplug (remove this piece to gain access to Zip Cord 43001100 (not shown) 16' feet on 13' models when adding Stern Light)
8	82009800	2	Screw, #8x5/8"
9	82002400	9	Screw, #10x2"
10	82002800	9	Washer, Finish, #10
11	62540800	1	Cleat

U.S. COAST GUARD
MAXIMUM CAPACITIES

6 PERSONS OR 900 LBS

**1200 LBS. PERSONS, MOTOR, GEAR
40 H. P. MOTOR**

THIS BOAT COMPLIES WITH U.S. COAST GUARD SAFETY
STANDARDS IN EFFECT ON THE DATE OF CERTIFICATION
WITH THE EXCEPTION OF DISPLAY OF MAXIMUM
WEIGHT/CAPACITY AND MAXIMUM PERSONS CAPACITY
AS AUTHORIZED BY GRANT OF EXEMPTION CGO 77-105.

MANUFACTURER: **BOSTON WHALER INC.**
ROCKLAND, MASS.

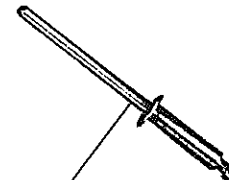
MODEL: **13'4" SPORT**

DESIGN COMPLIANCE WITH BIA REQUIREMENTS BELOW IS
VERIFIED: MFGR. RESPONSIBLE FOR PRODUCTION CONTROL

LOAD AND H. P. CAPACITY • LEVEL FLOTATION
COMPARTMENT VENTILATION • STEERING SYSTEM

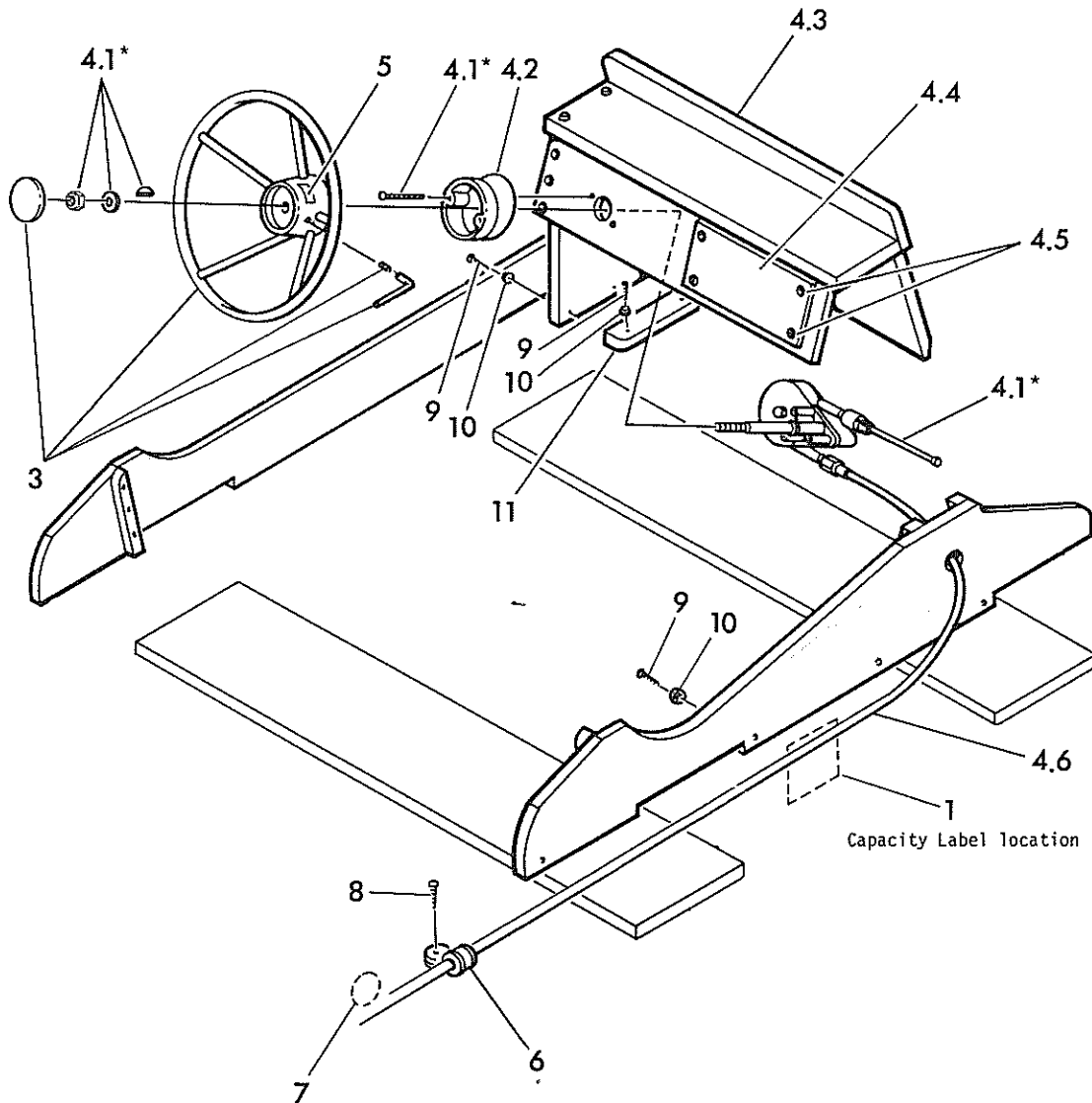
BOATING INDUSTRY ASSOCIATIONS

1



2

13' Super Sport



*Parts that make up detail 4.1 are found in three locations on this page.