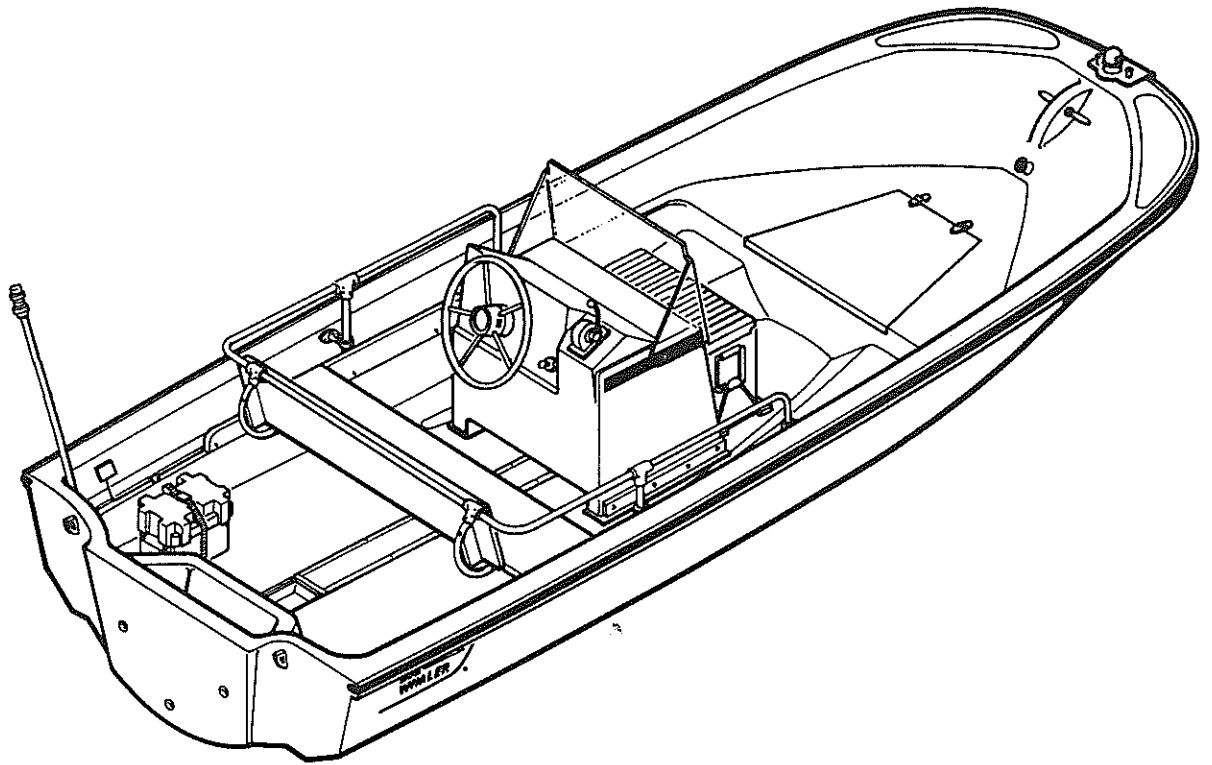


15' Center Console Sport

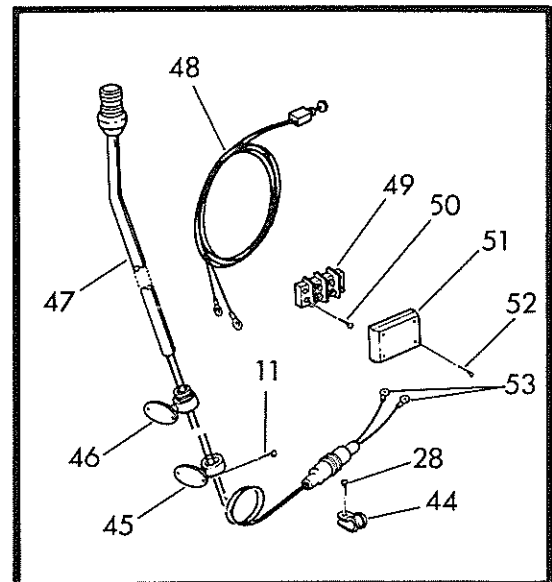


Det.	Part Number	Qty.	Description
1	12076500	4	Clip, Aluminum
2	72101103	1	Support, Aft, Port
3	72309002	1	Rail, Aft Section (includes (2) 72011000 Rail Tees)
4	82002800	24	Washer, Finishing, #10
5	82019700	6	Screw, #10x2-1/2"
6	82019802	4	Screw, #10-24x1-3/4"
7	82016500	4	Washer, Lock, Tooth, #10-EXT.
8	82016300	4	Nut, #10-24
9	72039001	2	Rail, Forward
10	72010900	2	Support, Stanchion, Short
11	82009900	22	Screw, #10x1"
12	82002400	12	Screw, #10x2"
13	62255400	1	Cover, Locker
14	12140500	2	Hinge, Strap
15	82104900	8	Screw, #10x3/4"
16	12001600	1	Stud, 3/8x3-7/32"
17	12001700	2	Pin, Norman
18	82322000	3	Screw, #4-40x3/4"
19	12321900	1	Light, Bow
20	12328400	1	Chock, Bow
21	43001100	1	Cord, Zip, 17.3 ft.
22	82091601	2	Screw, 5/16-18x2-1/2"
23	12017800	3	Nut, Eye
24	12255001	1	Stud, Eye, 6-5/8"
25	12025200	1	Seal, Bow Eye
26	12255000	3	Head, Bow and Ski Eye
27	12008900	8	O-Ring, Neoprene
28	82009800	6	Screw, #8x5/8"
29	12160800	1	Vent, Stainless Steel
30	12001800	3	Tube, Drain, 2-3/8"
31	72011000	2	Tee, Rail
32	82020700	16	Screw, #10-24x1/2"
33	72309003	2	Snanchion, 10-1/4"
34	72010800	2	Support, Stanchion, Long
35	72010700	4	Base, Rail
36	72019304	2	Hot Dog, 4"
37	82024900	4	Screw, #10x1-3/4"
38	62101900	2	Block, Seat, Aft
39	72101104	1	Support, Aft., Starboard
40	12335500	1	Decal
41	12018100	2	Plug, Drain
42	12256000	1	Tube, Drain, 15"
43	12550002	2	Stud, 4"
44	12120600	1	Clamp
45	12007905	1	Base, Support, Lower
46	12007904	1	Base, Support, Upper
47	12159903	1	Light, Stern
48	12560900	1	Harness, Switch, Light (see next page for attaching hardware)
49	12008500	1	Block, Terminal
50	82183200	4	Screw, #8x1"
51	12557300	1	Cover, Block, Terminal
52	82557500	4	Screw, #8x1-1/4"
53	12018200	2	Terminal, Wire
54	72101103	1	Support, Aft., Port

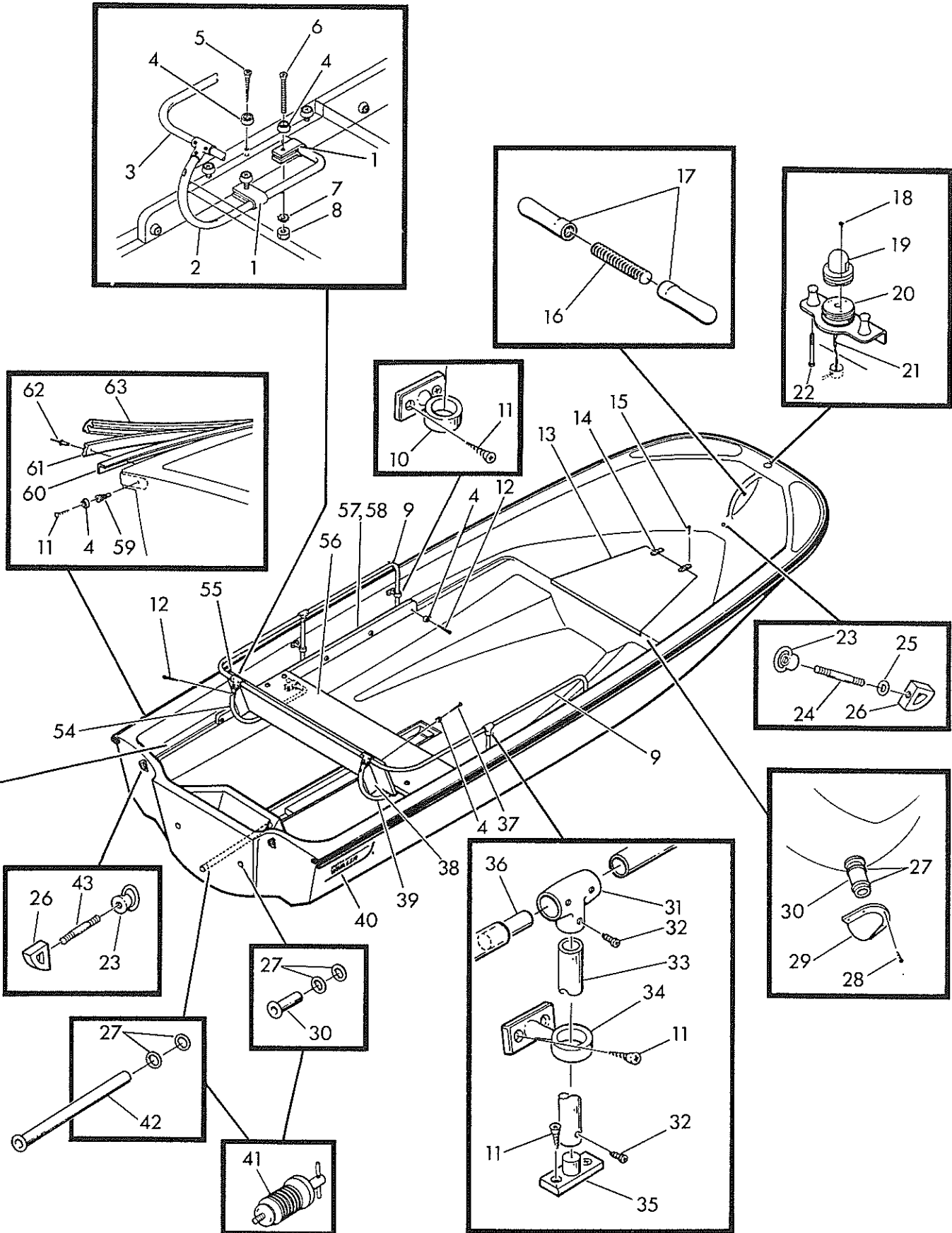
Det.	Part Number	Qty.	Description
55	62096100	1	Back, Seat, Stern
56	62005100	1	Seat, Thwart
57	62558900	1	Riser, Seat, Port
58	62559000	1	Riser, Seat, Starboard (not shown)
59	12656200	2	Anchor, Screw, #10
60	12257600	1	Vinyl, Flex, White, 33'-4"
61	12257000	1	Vinly, Rigid, White, 33'
62	82136100	75	Rivet, Pop, 3/16x5/8"
63	12257100	1	Vinyl, Flex, Black, 33'

Pamphlets

12316100	Boat pamphlet
12448200	Boston Whaler Owner's Manual
15022400	Wood Locating Diagram
15096200	Packing List 15' Center Console Sport
32013100	Owner's Instruction Manual
32013200	Owner's Instruction Envelope
32015400	GC 290 Coast Guard Regulation Booklet



15' Center Console Sport



TURNED 180° TO SHOW
ALL FASTENERS

Det.	Part Number	Qty.	Description
1	12425000	1	Label, Capacity
2	82065700	4	Rivet, Pop, 1/8x1/4"
3	12217500	1	Label, Steering, Tube, Tilt
4	15096000	1	Console Sub-Assembly (includes parts 4.1 to 4.22)
4.1	12083800	1	Wheel, Steering, Stainless (to order packaged Stainless Wheel Assembly use order Number 15061200)
4.2	12349100	1	Steerer, Helm, Single Cable
4.3	12133000	1	Label, Warning, Pull, Steering
4.4	12298500	1	Clip, Edge, Trim
4.5	43024400	1	Trim Loc Tan, 42"
4.6	82065700	1	Rivet, Pop, 1/8x1/4"
4.7	12348900	1	Bezel, 90°
4.8	22558800	1	Console, 15' Center
4.9	12266000	1	Windshield, Console
4.10	82035200	7	Washer, Flat, 1/4"
4.11	82002800	7	Washer, Finish, #10
4.12	82017600	7	Screw, #10-32x1-1/4"
4.13	82138500	7	Nut, Well, #610-32
4.14	12139300	7	Bushing, Nylon
4.15	43033700	1	Tape, Striping, 1-1/2"x6 ft.
4.16	62378300	2	Cleat, Console
4.17	12377900	2	Plate, Floor, Console
4.18	82065400	8	Screw, #1/4-20x2"
4.19	82035200	8	Washer, Flat, 1/4"
4.20	82150900	8	Stopnut, Elastic, #1/4-20
4.21	12536000	1	Cable, Steerer, 14'
4.22	12560900	1	Harness, Switch, Light
5	62559100	2	Strip, Trim
6	82002800	8	Washer, Finish, #10
7	82019700	8	Screw, #10 x 2-1/2"
8	82109300	8	Screw, #14 x 1-1/2"
9	15042800	1	Battery Box w/Holddowns
9.1	12354000	1	Strap, Holddown
9.2	12348700	1	Box, Battery
9.3	82009900	4	Screw, #10x1"
9.4	12354100	2	Strap, Deck
10	12136700	6	Clamp, Support
11	82009800	6	Screw, #8x5/8"
12	22558700	1	Cover, Tunnel
13	82372300	12	Screw, #10x1-3/4"

U.S. COAST GUARD
MAXIMUM CAPACITIES

5 PERSONS OR 645 LBS

1055 LBS. PERSONS, MOTOR, GEAR
70 H. P. MOTOR

THIS BOAT COMPLIES WITH U.S. COAST GUARD SAFETY
STANDARDS IN EFFECT ON THE DATE OF CERTIFICATION

MANUFACTURER: **BOSTON WHALER INC.**
ROCKLAND, MASS.

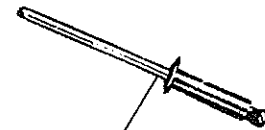
MODEL: **153" SPORT**

ORIGIN COMPLIANCE WITH BIA REQUIREMENTS BELOW IS
VERIFIED. MFG. RESPONSIBLE FOR PRODUCTION CONTROL

LOAD AND H.P. CAPACITY • LEVEL FLOTATION
NAVIGATION LIGHTS • STEERING • ELECTRICAL SYSTEMS
COMPARTMENT VENTILATION

BOATING INDUSTRY ASSOCIATIONS

1



2

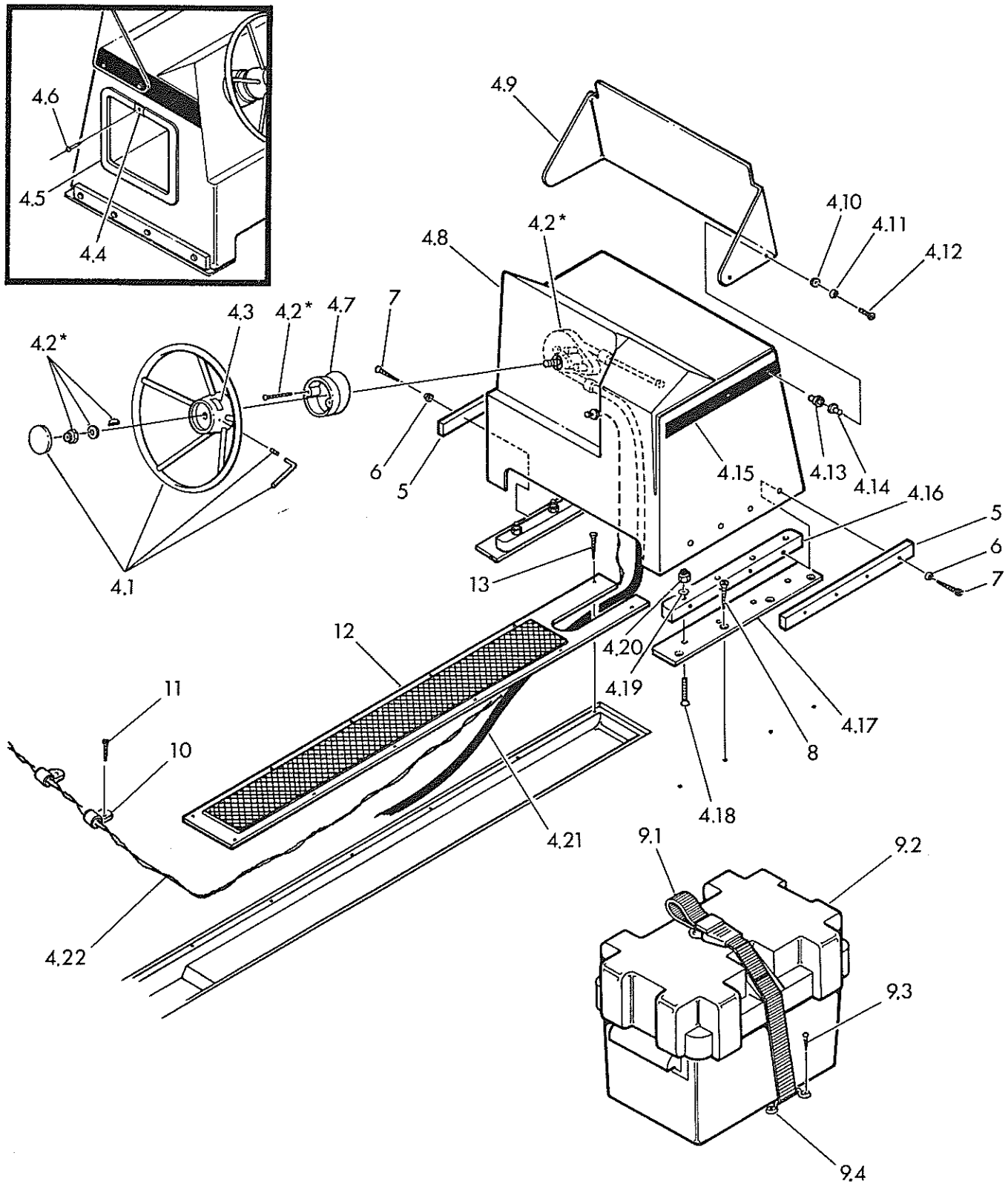
**BOSTON
WHALER**

This boat is set up for thru
till-tube type steering. For engines
that require a transom bracket
order Transom Bracket Kit 15020400.

12217500

3

15' Center Console Sport



*Parts that make up detail 4.2 are found in three locations on this page.