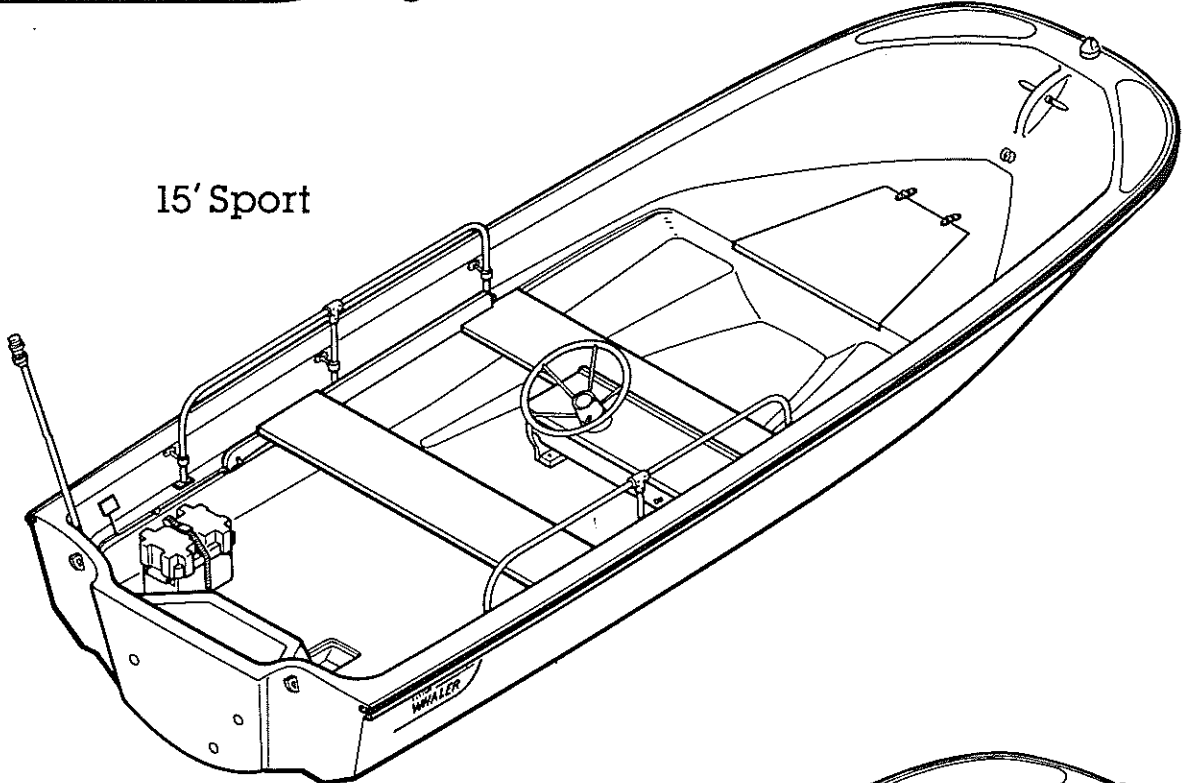


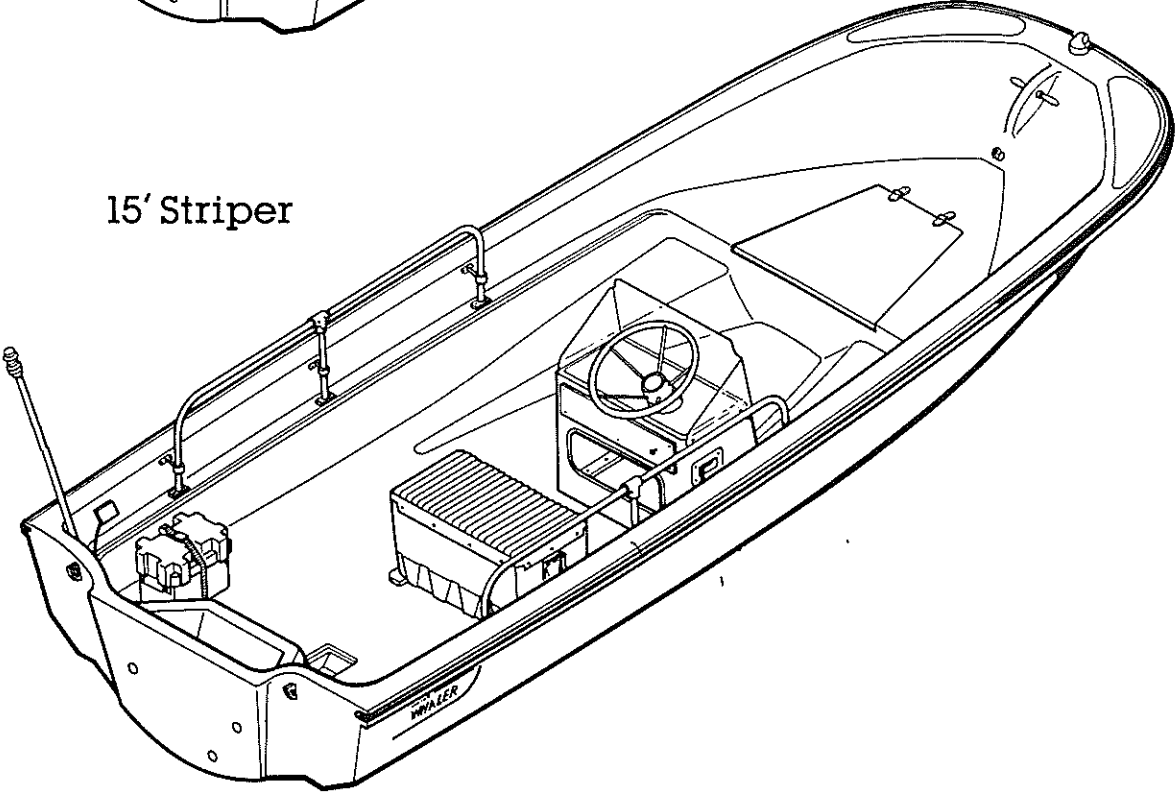
# 15' Sport/Striper



15' Sport



15' Striper

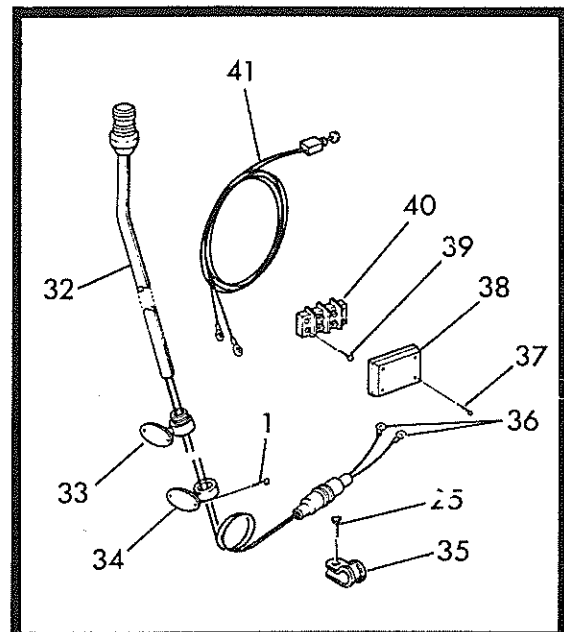


Det.	Part Number	Qty.	Description
1	82009900	30	Screw, #10x1"
2	82002800	2	Washer, Finish, #10
3	12656200	2	Anchor, Screw, #10
4	12257600	1	Vinyl, Flex, White, 33'-4"
5	12257000	1	Vinyl, Rigid, White, 33'
6	82136100	75	Rivet, Pop, 3/16x5/8"
7	12257100	1	Vinyl, Flex, Black, 33'
8	72255800	1	Port Side Rail Assembly (includes parts 8.1 - 8.6)
8.1	72255801	1	Tube, Main (includes 43010900 Stainless Steel Tubing 7/8x84.375" and 72011000 Stainless Steel Rail Tee)
8.2	72010700	3	Base, Rail
8.3	72255802	1	Stanchion, Rail, 7/8x14"
8.4	72010800	2	Support, Stanchion, Long
8.5	82020700	6	Screw, #10-24x1/2"
8.6	72010900	1	Support, Stanchion, Short
9	72257400	1	Starboard Side Rail Assembly (includes parts 9.1 - 9.6)
9.1	72255801	1	Tube, Main (includes 43010900 Stainless Steel Tubing 7/8x84.375" and 72011000 Stainless Steel Rail Tee)
9.2	72010700	3	Base, Rail
9.3	72255802	1	Stanchion, 7/8x14"
9.4	72010800	2	Support, Stanchion, Long
9.5	82020700	6	Screw, #10-24x1/2"
9.6	72010900	1	Support, Stanchion, Short
10	62255400	1	Cover, Locker
11	12140500	2	Hinge, Strap
12	82104900	8	Screw, #10x3/4"
13	12017800	3	Nut, Eye
14	12025200	1	Seal, Eye, Bow
15	12255001	1	Stud, 6-5/8"
16	12255000	3	Eye, Bow
17	12001600	1	Stud, 3/6x3-7/32"
18	12001700	2	Pin, Norman
19	82322000	3	Screw, #4-40x3/4"
20	12321900	1	Light, Bow
21	12328400	1	Chock, Bow
22	82091601	2	Screw, 5/16-18x2-1/2"
23	43011000	1	Cord, Zip, 17.3 feet
24	12008900	8	O-Ring, Neoprene
25	82009800	5	Screw, #8x5/8"
26	12160800	1	Vent, Stainless Steel
27	12001800	3	Tube, Drain, 2-3/8"
28	12018100	2	Plug, Drain
29	12255002	2	Stud, 4"
30	12335500	1	Decal
31	12256000	1	Tube, Drain, 14"
32	12159903	1	Light, Stern
33	12007904	1	Base, Upper Support
34	12007905	1	Base, Lower Support
35	12136700	1	Clamp, Support
36	12018200	2	Terminal, Wire
37	82557500	4	Screw, #8x1-1/4"
38	12557300	1	Cover, Terminal Block

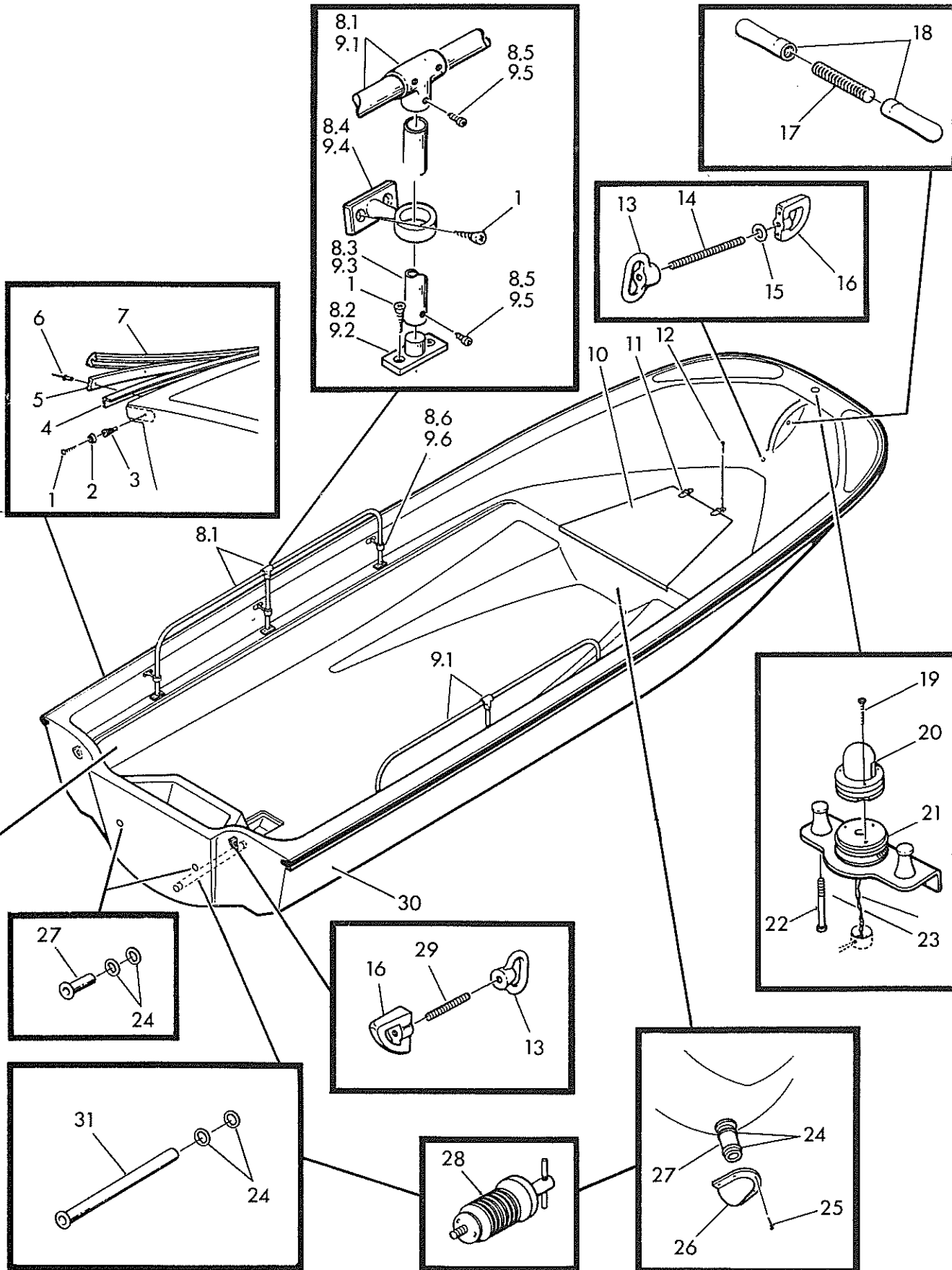
Det.	Part Number	Qty.	Description
39	82183200	4	Screw, #8x1"
40	12008500	1	Block, Terminal
41	12258700	1	Harness, Light Switch (see next page for attaching hardware)

Pamphlets

- 12316100 Boat Pamphlet
- 12448200 Boston Whaler's Owners Manual
- 15022300 Packing List
- 15022400 Wood Locating Diagram
- 32013100 Owner's Instruction Check List
- 32013200 Owner's Instruction Envelope
- 32015400 GC 290 Coast Guard Regulation Booklet



# 15' Sport/Striper



Det.	Part Number	Qty.	Description
1	12425000	1	Label, Capacity, 15' Sport
2	82065700	4	Rivet, Pop, 1/8x1/4"
3	12217500	1	Label, Steering, Tube, Tilt
4	62005100	2	Seat, Thwart
5	82002800	27	Washer, Finish, #10
6	82019700	6	Screw, #10x2-1/2"
7	15061800	1	Seat Clamp Assy. (includes 7.1 to 7.3)
7.1	66296100	1	Clamp, Seat, Port
7.2	12007500	1	Disc, Rubber
7.3	82002700	2	Pin, #18x5/8"
8	82002400	17	Screw, #10x2"
9	12083800	1	Wheel, Steering, Stainless (to order packaged Stainless Wheel Assembly use order number 15061200)
10	15057801	1	Wheel Box with Steerer and Cable (includes parts 10.1 to 10.5)
10.1	12349100	1	Steerer, Helm, Single Cable
10.2	12349000	1	Bezel, 20°
10.3	62255300	1	Box, Wheel
10.4	12270801	1	Cable, Steering, 10.5 ft.
10.5	12258700	1	Harness, Switch, Light
11	12133000	1	Label, Warning, Steering Pull
12	15061900	1	Seat Clamp Assy (includes parts 12.1 to 12.3)
12.1	62255600	1	Clamp, Seat, Starboard
12.2	82002700	2	Pin, #18x5/8"
12.3	12007500	1	Disc, Rubber
13	12127300	3	Clip
14	82009800	9	Screw, #8x5/8"
15	43015000	1	Tubing, P.V.C., 4 ft.
16	12136700	6	Clamp, Support
17	62255500	1	Cleat, Wheel Box
18	82009500	4	Screw, #12x1-3/4"
19	15042800	1	Battery Box W/Holddowns (includes parts 19.1 to 19.4)
19.1	12354000	1	Strap, Holddown
19.2	12348700	1	Box, Battery
19.3	82009900	4	Screw, #10x1"
19.4	12354100	2	Strap, Deck

U.S. COAST GUARD  
**MAXIMUM CAPACITIES**

**5 PERSONS OR 645 LBS**

**1055 LBS. PERSONS, MOTOR, GEAR  
70 H. P. MOTOR**

THIS BOAT COMPLIES WITH U.S. COAST GUARD SAFETY  
STANDARDS IN EFFECT ON THE DATE OF CERTIFICATION

MANUFACTURER: **BOSTON WHALER INC.**  
ROCKLAND, MASS.

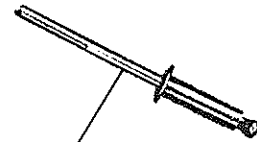
MODEL: **15'3" SPORT**

**DESIGN COMPLIANCE WITH BIA REQUIREMENTS BELOW IS  
VERIFIED. MFOR RESPONSIBLE FOR PRODUCTION CONTROL.**


LOAD AND H.P. CAPACITY • LEVEL FLOTATION  
NAVIGATION LIGHTS • STEERING • ELECTRICAL SYSTEMS  
COMPARTMENT VENTILATION

 BOATING INDUSTRY ASSOCIATIONS

1



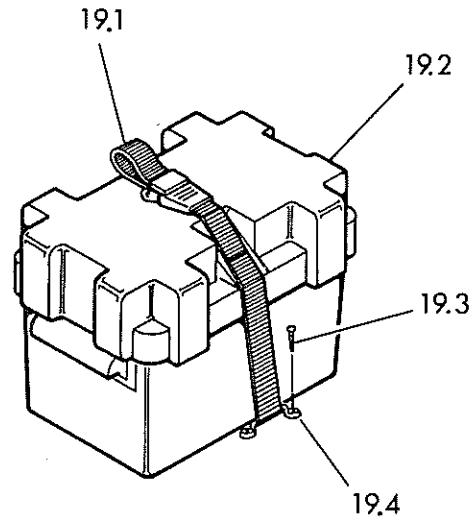
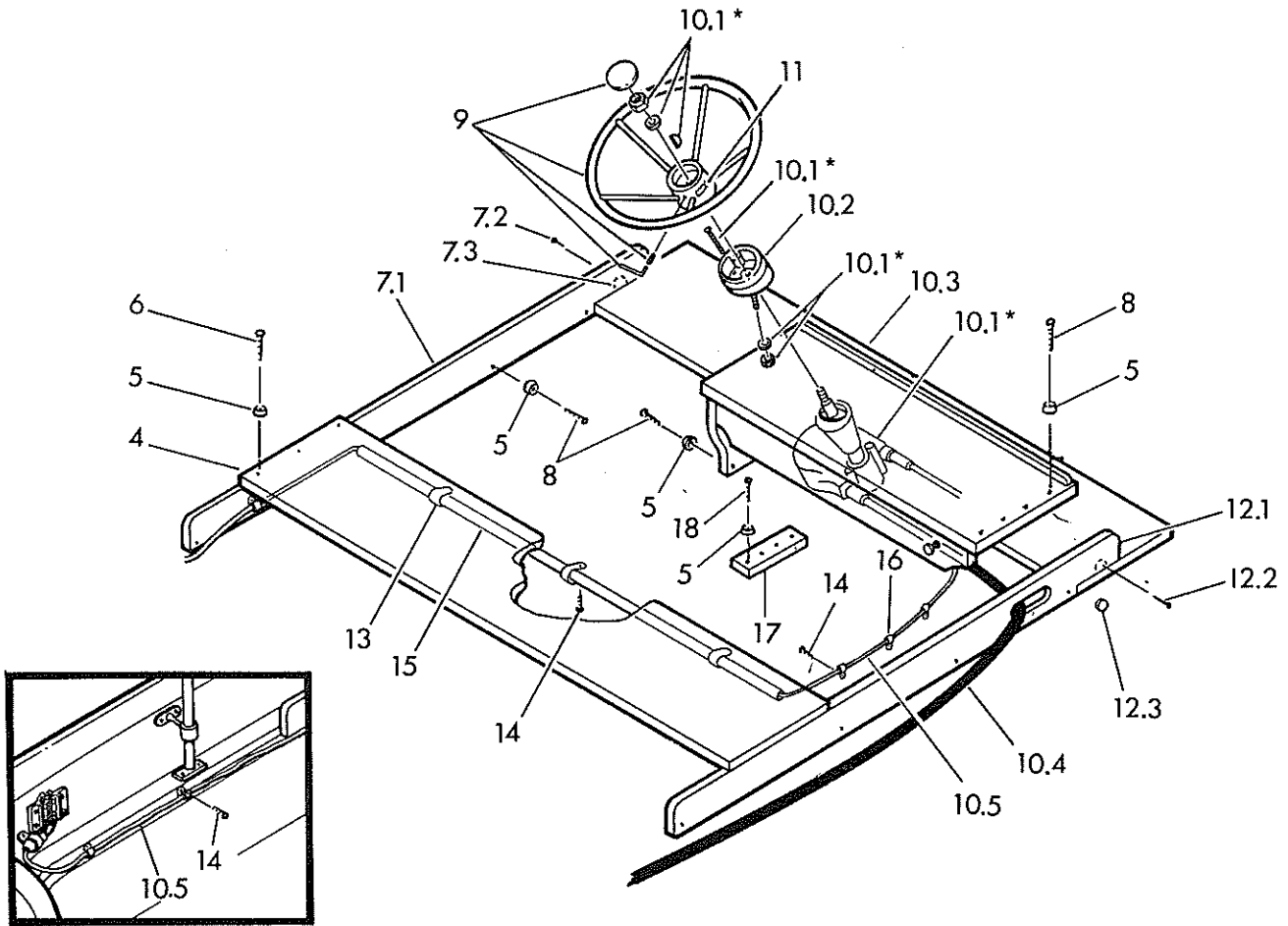
2

**BOSTON WHALER** 

This boat is set up for thru  
tilt-tube type steering. For engines  
that require a transom bracket  
order Transom Bracket Kit 15020400.

12217500

3



\*Parts that make up 10.1  
and found in four locations  
on this page.

Qty.	Part Number	Qty.	Description
1	12425000	1	Label, Capacity
2	82065700	4	Rivet, Pop, 1/8x1/4"
3	12217500	1	Label, Steering, Tube, Tilt
4	15059900	1	Console Assembly, 15' Striper (includes parts 4.1 to 4.17)
4.1	43024400	1	Trim Loc Tan, 48"
4.2	82033700	1	Rivet, Pop, 3/16x1/2"
4.3	12298500	1	Clip, Edge, Trim
4.4	12349000	1	Bezel, 20°
4.5	12162300	1	Windshield, Console
4.6	12285600	1	Cover, Console, Striper
4.7	12349100	1	Steerer, Helm, Single Cable
4.8	12139300	8	Bushing, Nylon
4.9	82035200	8	Washer, Flat, 1/4"
4.10	82002800	8	Washer, Finish, #10
4.11	82017600	8	Screw, #10-32x 1-1/4"
4.12	82138500	8	Nut, Well, #G10-32
4.13	12216600	1	Pipe, Hawse
4.14	12270801	1	Cable, Steerer, 10.5 ft.
4.15	62295700	1	Panel, Dash
4.16	82009800	12	Screw, #8x5/8"
4.17	22296000	1	Console, 15' Striper
5	62295800	1	Board, Console
6	82210400	3	Screw, 1/4-20x2"
7	82035200	6	Washer, Flat, 1/4"
8	82150900	3	Stopnut, Elastic, 1/4-20
9	12258700	1	Harness, Switch, Light
10	15042800	1	Battery Box w/Holddowns (includes parts 10.1 - 10.4)
10.1	12354000	1	Strap, Holddown
10.2	12348700	1	Box, Battery
10.3	82009900	4	Screw, #10x1"
10.4	12354100	2	Strap, Deck
11	12127300	7	Clip, Support
12	82009800	7	Screw, #8x5/8"
13	82002800	19	Washer, Finish, #10
14	82002400	19	Screw, #10x2"
15	62011807	1	Cleat
16	62320200	2	Assembly, Cleat, Cooler
17	82009500	6	Screw, #12x1-3/4"
18	82122400	6	Stud, #8-15x3/8"
19	12172600	1	Cooler with Hooks and Cushion
20	12083800	1	Wheel, Steering, Stainless (to order packaged Stainless Wheel Assembly use order number 15061200)
21	12133000	1	Label, Warning, Steering Pull

U.S. COAST GUARD  
**MAXIMUM CAPACITIES**

**5 PERSONS OR 645 LBS**

1055 LBS. PERSONS, MOTOR, GEAR  
70 H. P. MOTOR

THIS BOAT COMPLIES WITH U.S. COAST GUARD SAFETY STANDARDS IN EFFECT ON THE DATE OF CERTIFICATION

MANUFACTURER: **BOSTON WHALER INC.**  
ROCKLAND, MASS.

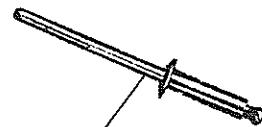
MODEL: 15'3" SPORT

DESIGN COMPLIANCE WITH BIA REQUIREMENTS BELOW IS VERIFIED. MFR. RESPONSIBLE FOR PRODUCTION CONTROL.

LOAD AND H.P. CAPACITY • LEVEL FLOTATION  
NAVIGATION LIGHTS • STEERING • ELECTRICAL SYSTEMS  
COMPARTMENT VENTILATION

BOATING INDUSTRY ASSOCIATIONS

1



2

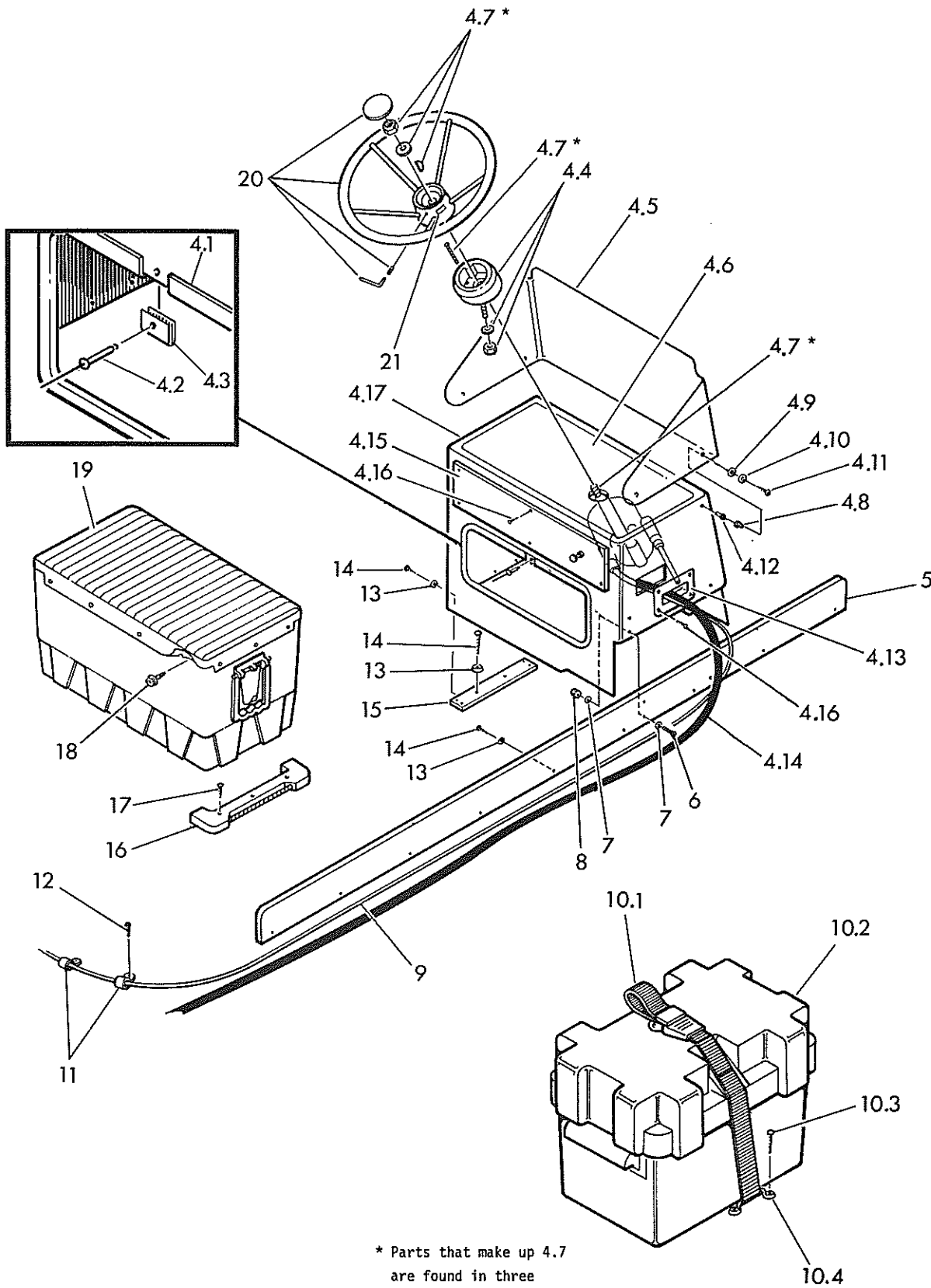
**BOSTON WHALER**

This boat is set up for thru tilt-tube type steering. For engines that require a transom bracket order Transom Bracket Kit 15020400.

12217500

3

# 15' Striper



\* Parts that make up 4.7  
are found in three  
locations on this page