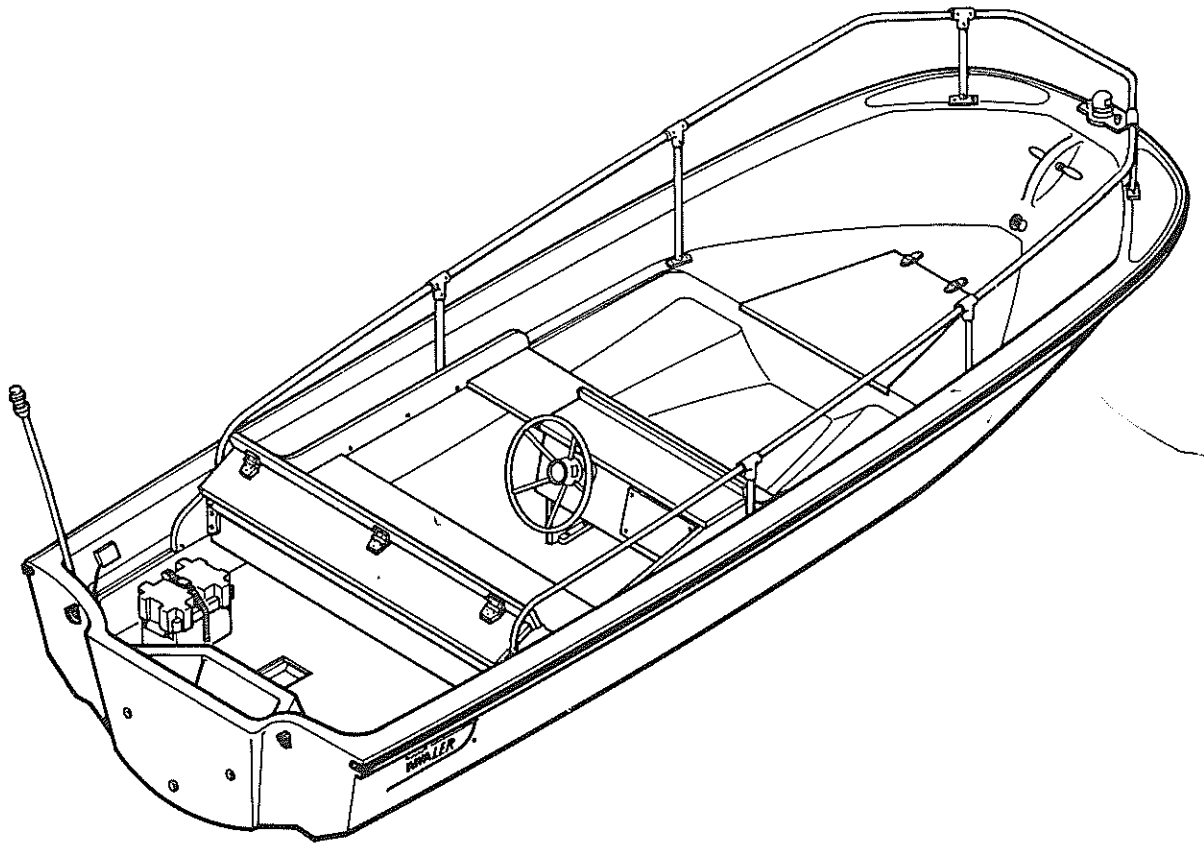
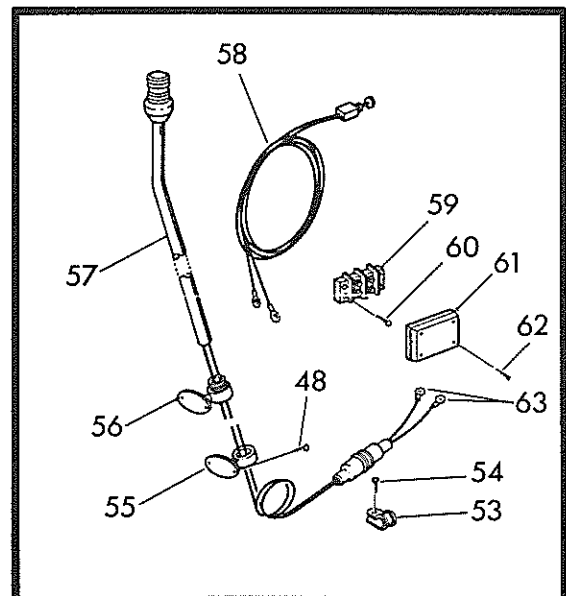


# 15' Super Sport

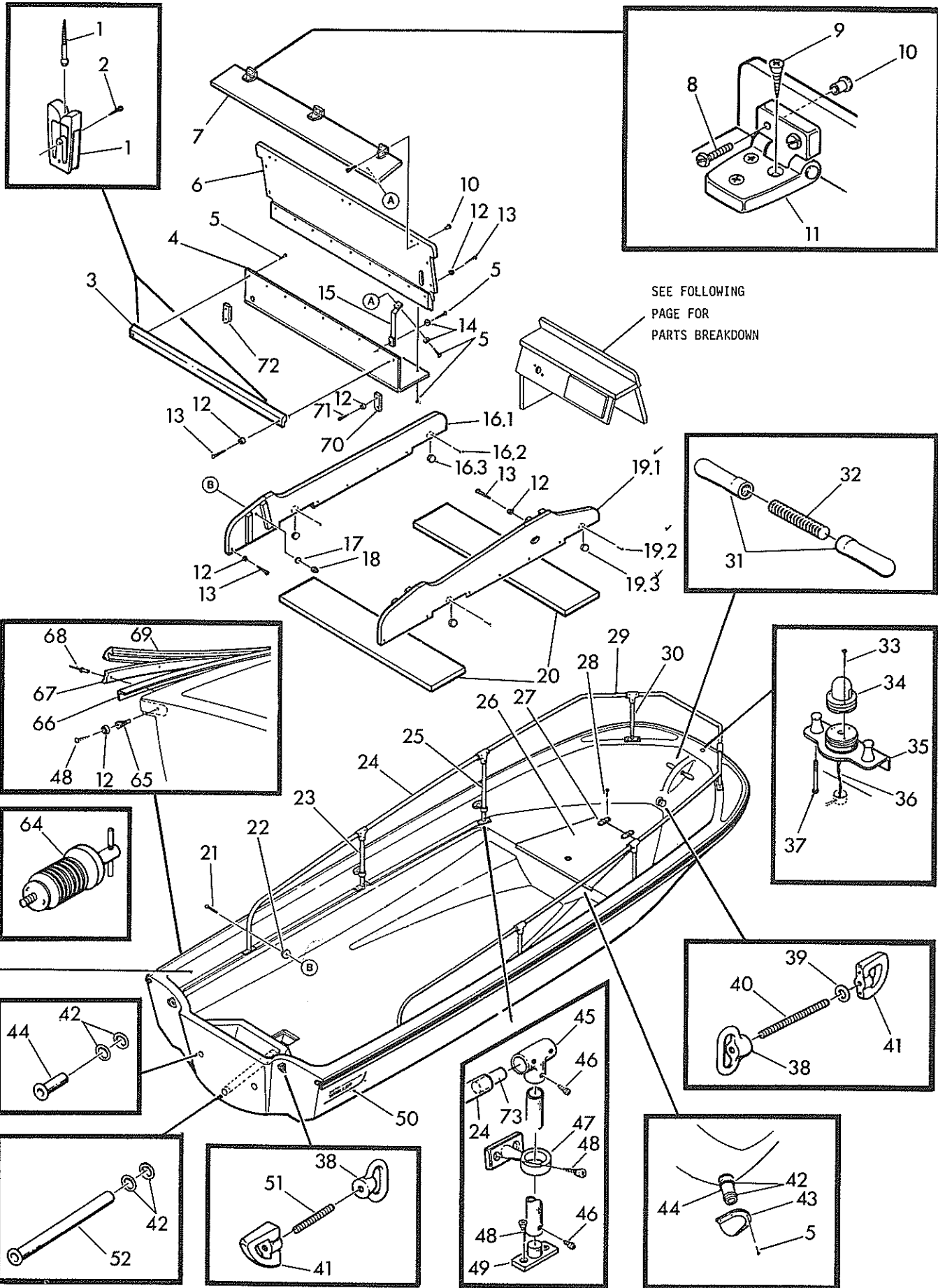


Det.	Part Number	Qty.	Description
1	12060900	2	Catch (includes hardware)
2	82121400	4	Screw, #4x3/4"
3	62556800	1	Jamb, Locker
4	12556700	1	Locker, Kydex
5	82009800	18	Screw, #8x5/8"
6	62556500	1	Back, Seat, Aft., Assy.
7	62556600	1	Cover, Locker, Aft.
8	82646200	6	Screw, #10-24x3/4"
9	82010100	9	Screw, #8x3/4"
10	82408600	6	Nut, Barrel, #10-24
11	12113000	3	Hinge
12	82002800	22	Washer, Finish, #10
13	82002400	18	Screw, #10-2"
14	82091700	2	Washer, Flat
15	12587000	1	Strap, Cover, Locker
16	15095700	1	Port Seat Clamp Assy. (includes parts 16.1 - 16.3)
16.1	62556400	1	Clamp, Seat, Port
16.2	82002700	2	Pin, #18x5/8"
16.3	12007500	2	Disc, Rubber
17	82016400	2	Washer, Flat
18	82089900	2	Nut, Acorn
19	15095800	1	Starboard Seat Clamp Assy. (includes parts 19.1 - 19.3)
19.1	62556300	1	Clamp, Seat, Starboard
19.2	82002700	2	Pin, #18x5/8"
19.3	12007500	2	Disc, Rubber
20	62005100	2	Seat, Thwart
21	82092900	2	Screw, #10-24x2"
22	12519200	2	Washer, Kydex, Black
23	72574205	2	Stanchion, Mid, 13-1/4"
24	72574202	2	Rail, Side
25	72574204	2	Stanchion, Forward, 16-1/4"
26	62255400	1	Cover, Locker
27	12140500	1 pr.	Hinge, Strap
28	82104900	8	Screws, #10x3/4"
29	72574201	1	Rail, Bow (includes 43010900 Stainless Steel Tubing 7/8x123" and (2) 72011000 Stainless Steel Rail Tees)
30	72574203	2	Stanchion, Bow, 10-1/4"
31	12001700	2	Pin, Norman
32	12001600	1	Stud, 3/8x3-7/32"
33	82322000	3	Screw, #4-40x3/4"
34	<del>12321900</del> 12321900	1	Light, Bow
35	12328400	1	Chock, Bow
36	43001100	1	Cord, Zip, 17.3 ft.
37	82091601	2	Screw, 5/16-18x2-1/2"
38	12017800	3	Nut, Eye, Chrome
39	12025200	1	Seal, Eye, Bow
40	12255001	1	Stud, 6-5/8"
41	12255000	3	Head, Bow and Ski Eye
42	12008900	8	O-Ring, Neoprene
43	12160800	1	Vent, Stainless Steel
44	12001800	3	Tube, Drain, 2-3/8"
45	72011000	4	Tee, Rail
46	82020700	26	Screw, #10-24x1/2"

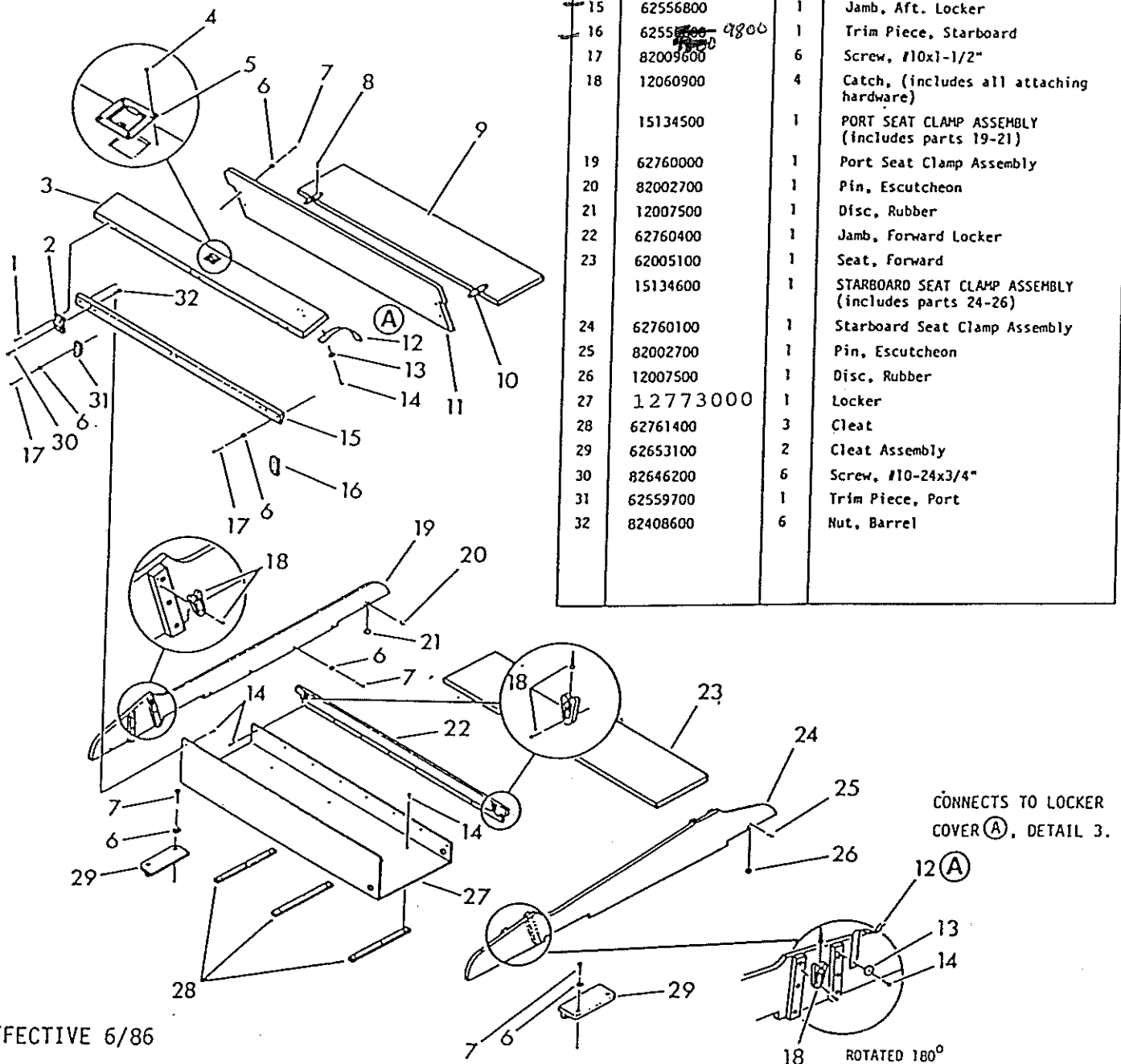
Det.	Part Number	Qty.	Description
47	72010900	4	Support, Stanchion, Short
48	82009900	30	Screw, #10x1"
49	72010700	8	Base, Rail
50	12335500	1	Decal
51	12255002	2	Stud, 4"
52	12256000	1	Tube, Drain, 15"
53	12136700	1	Clamp, Support
54	82009800	1	Screw, #8x5/8"
55	12007905	1	Base, Support, Lower
56	12007904	1	Base, Support, Upper
57	12159903	1	Light, Stern
58	12258700	1	Harness, Switch, Light (see next page for attaching hardware)
59	12008500	1	Block, Terminal
60	82183200	2	Screw, #8x1"
61	12557300	1	Cover, Block, Terminal
62	82557500	4	Screw, #8x1-1/4"
63	12018200	2	Terminal, Wire
64	12018100	2	Plug, Drain
65	12656200	2	Anchor, Screw, #10
66	12257600	1	Vinyl, Flex, White, 33-1/4"
67	12257000	1	Vinyl, Rigid, White, 33'
68	82136100	75	Rivet, Pop, 3/16x5/8"
69	12257100	1	Vinyl, Flex, Black, 33'
70	62559800	1	Trim, Piece, Starboard
71	82009600	4	Screw, #10x1-1/2"
72	62559700	1	Trim Piece, Port
73	72019304	2	Hot Dog



# 15' Super Sport



THE FOLLOWING PARTS HAVE BEEN CHANGED TO PROMOTE INCREASED STORAGE AND EASIER ACCESS TO THE STORAGE LOCKER ON THE 15' SUPER SPORT MODEL. USING THIS SHEET IN CONJUNCTION WITH THE PARTS CATALOG, (MINUS THE PARTS THIS LIST REPLACES), INDICATES ALL THE PARTS NECESSARY TO BUILD THE NEW VERSION 15' SUPER SPORT, AS OF JUNE 31, 1985.



Det.	Part Number	Qty.	Description
1	82010100	6	Screw, #8x3/4"
2	12432400	1.5 pr	Hinge
3	62760500	1	Cover, Locker
4	82038900	4	Screw, #6x3/4"
5	12068100	1	Handle, Flush
6	82002800	24	Washer, Finish, #10
7	82002400	18	Screw, #10x2"
8	82104900	8	Screw, #10x3/4"
9	62760200	1	Seat, Aft.
10	12140500	1 pr.	Hinge, Strap
11	62760300	1	Aft. Seat Back
12	12761800	1	Strap, Nylon
13	82091700	2	Washer, Flat
14	82009800	29	Screw, #8x5/8"
15	62556800	1	Jamb, Aft. Locker
16	62559000 <del>8200</del>	1	Trim Piece, Starboard
17	82009600	6	Screw, #10x1-1/2"
18	12060900	4	Catch, (includes all attaching hardware)
	15134500	1	PORT SEAT CLAMP ASSEMBLY (includes parts 19-21)
19	62760000	1	Port Seat Clamp Assembly
20	82002700	1	Pin, Escutcheon
21	12007500	1	Disc, Rubber
22	62760400	1	Jamb, Forward Locker
23	62005100	1	Seat, Forward
	15134600	1	STARBOARD SEAT CLAMP ASSEMBLY (includes parts 24-26)
24	62760100	1	Starboard Seat Clamp Assembly
25	82002700	1	Pin, Escutcheon
26	12007500	1	Disc, Rubber
27	1 2 7 7 3 0 0 0	1	Locker
28	62761400	3	Cleat
29	62653100	2	Cleat Assembly
30	82646200	6	Screw, #10-24x3/4"
31	62559700	1	Trim Piece, Port
32	82408600	6	Nut, Barrel

Det.	Part Number	Qty.	Description
1	12425000	1	Label, Capacity
2	82065700	4	Rivet, Pop, 1/8x1/4"
3	12133000	1	Label, Warning, Pull, Steering
4	12083800	1	Wheel, Steering, Stainless (to order packaged Stainless Wheel Assembly use order Number 15061200)
5	15100000	1	Wheelbox Steerer Sub-Assembly
5.1	12349100	1	Helm, Steerer, Single Cable
5.2	12348900	1	Bezel, 90°
5.3	62574400	1	Assembly, Box, Wheel
5.4	62574100	1	Panel, Dash
5.5	82009800	4	Screw, #8x5/8"
5.6	12557700	1	Cable, Steering, 11 ft.
6	82002400	11	Screw, #10x2"
7	82002800	11	Washer, Finish, #10
8	62540800	1	Cleat, Floor
9	43015000	1	Tubing, P.V.C., 4 ft.
10	12127300	3	Clip
11	12258700	1	Harness, Switch, Light
12	12136700	9	Support, Clamp
13	82009800	9	Screw, #8x5/8"
14	15042800	1	Battery Box w/Holddowns (includes parts 14.1 - 14.4)
14.1	12354000	1	Strap, Holddown
14.2	12348700	1	Box, Battery
14.3	82009900	4	Screw, #10x1"
14.4	12354100	2	Strap, Deck

U.S. COAST GUARD  
**MAXIMUM CAPACITIES**

**5 PERSONS OR 645 LBS**

1055 LBS. PERSONS, MOTOR, GEAR  
70 H. P. MOTOR

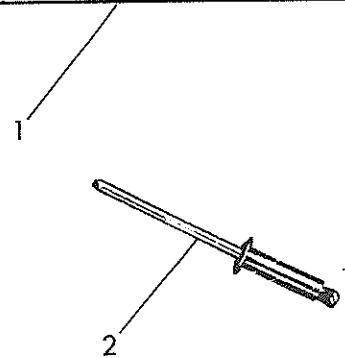
THIS BOAT COMPLIES WITH U.S. COAST GUARD SAFETY STANDARDS IN EFFECT ON THE DATE OF CERTIFICATION

MANUFACTURER: **BOSTON WHALER INC.**  
MODEL: 15' SPORT  
ROCKLAND, MASS.

DESIGN COMPLIANCE WITH BIA REQUIREMENTS BELOW IS VERIFIED. MFR. RESPONSIBLE FOR PRODUCTION CONTROL.

LOAD AND H.P. CAPACITY • LEVEL FLOTATION  
NAVIGATION LIGHTS • STEERING • ELECTRICAL SYSTEMS  
COMPARTMENT VENTILATION

BOATING INDUSTRY ASSOCIATIONS



**BOSTON WHALER**

This boat is set up for thru tilt-tube type steering. For engines that require a transom bracket order Transom Bracket Kit 15020400.

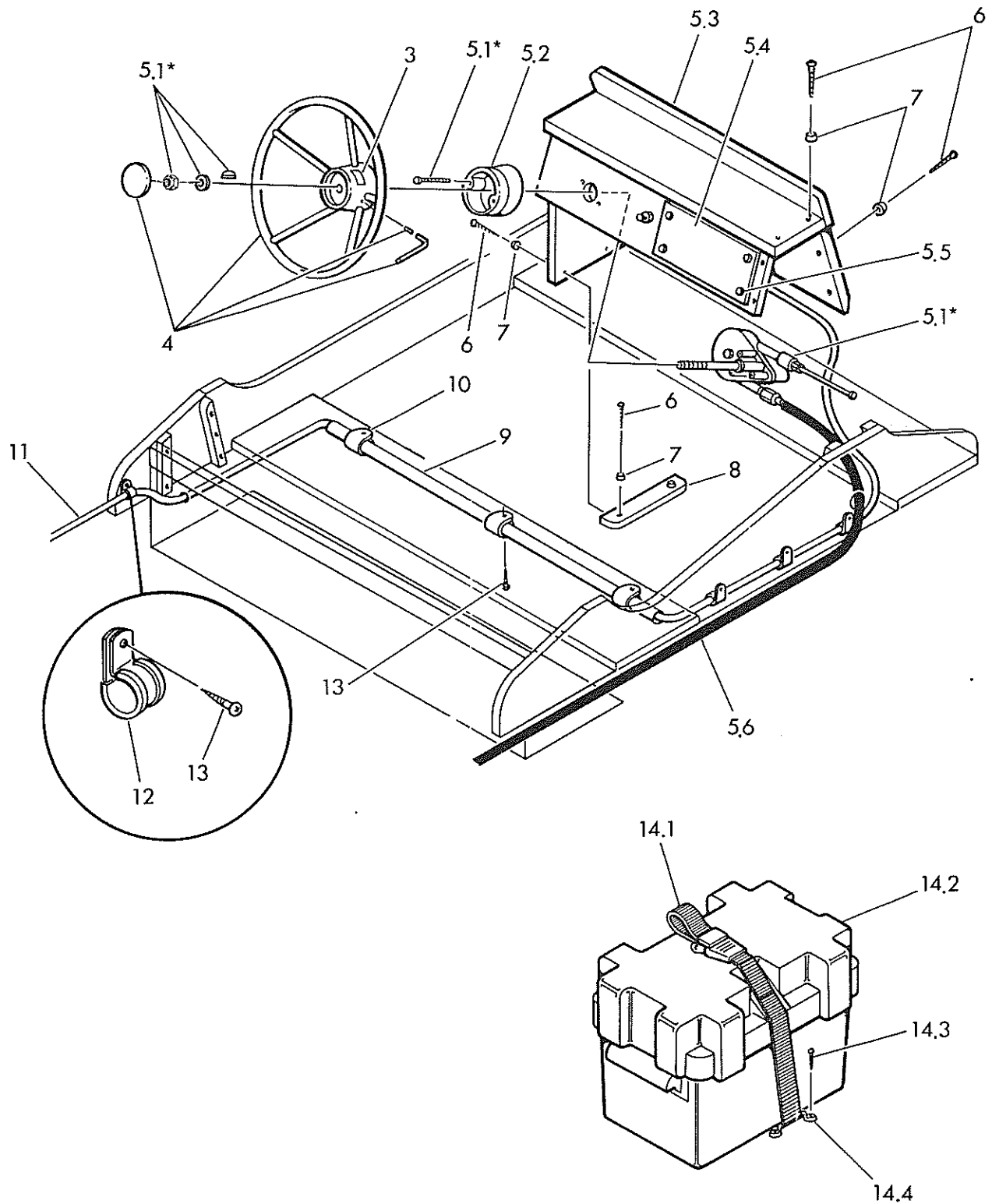
12217500

3

Pamphlets

- 12316100 Boat Pamphlet
- 12448200 Boston Whaler Owner's Manual
- 15022400 Wood Locating Diagram
- 15100100 Packing List 15' Super Sport
- 32013100 Owner's Instruction Check List
- 32013200 Owner's Instruction Envelope
- 32015400 GC 290 Coast Guard Regulation Booklet

# 15' Super Sport



\*Parts that make up detail 5.1 are found in three locations on this page.