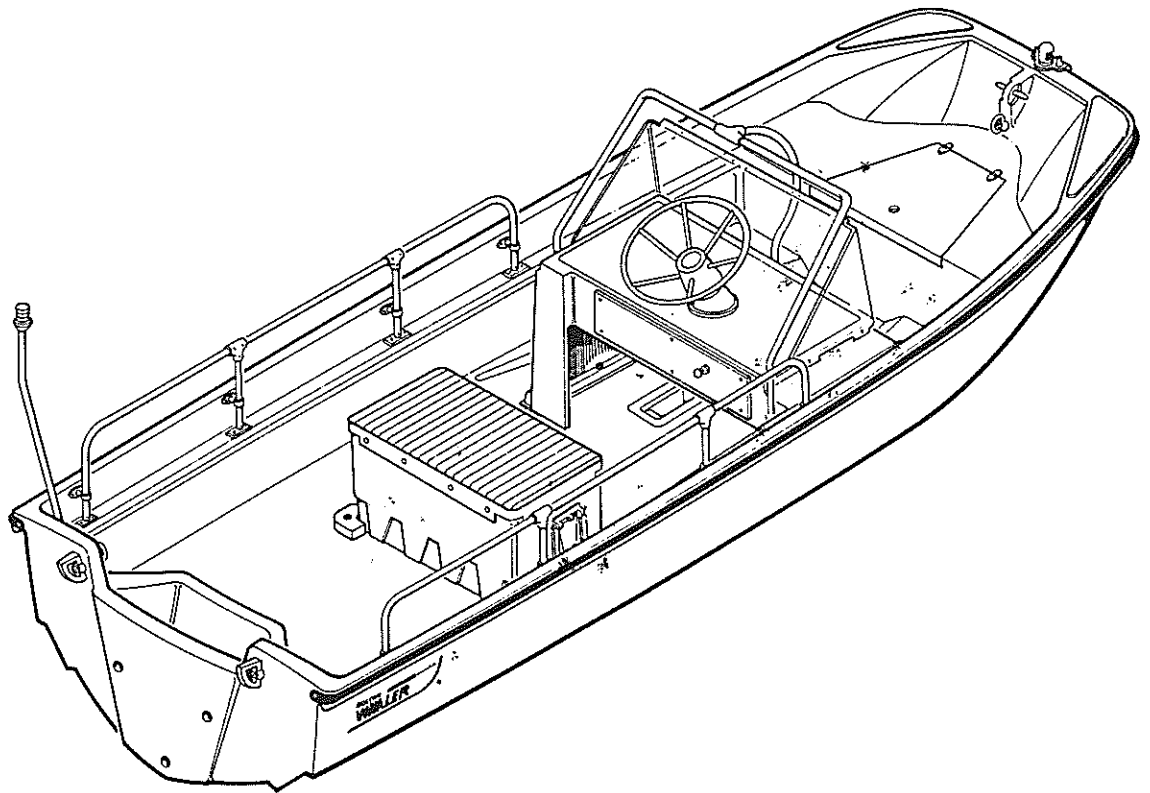
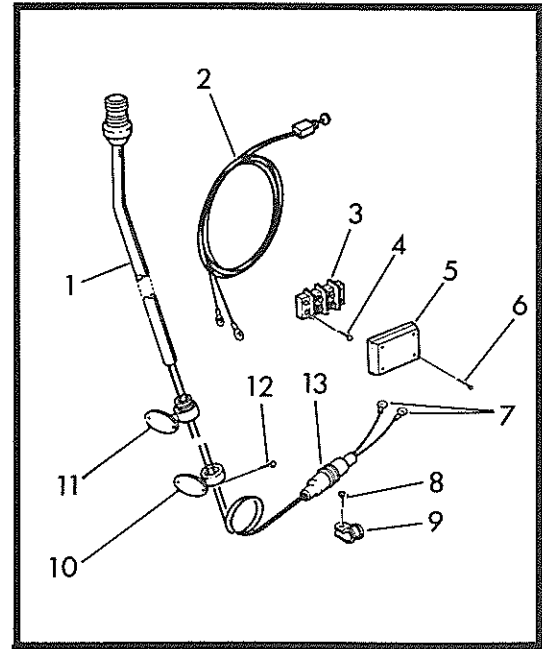


17' Striper



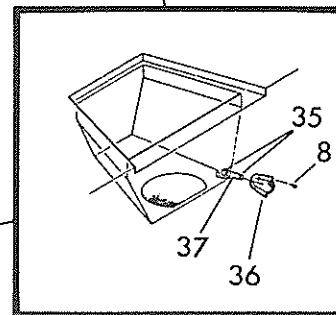
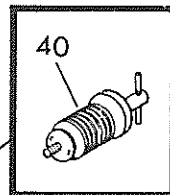
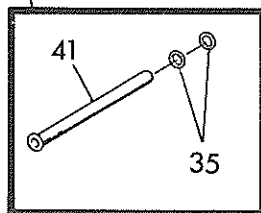
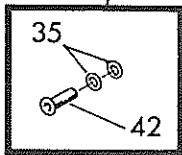
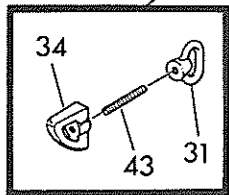
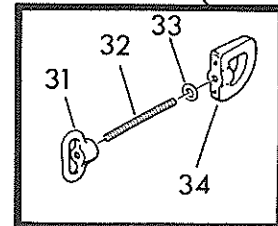
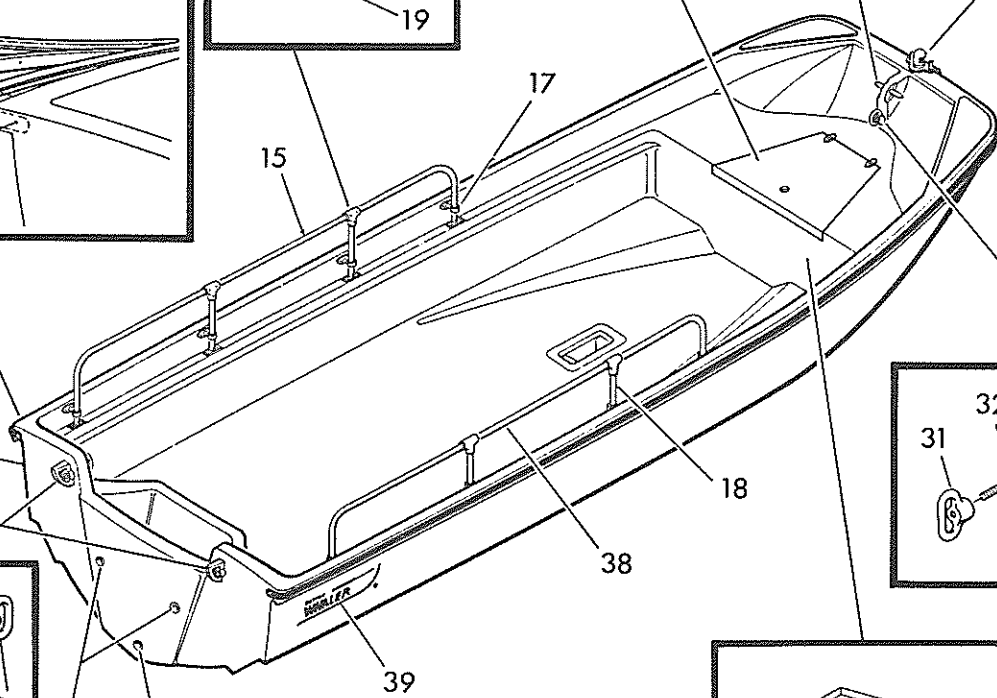
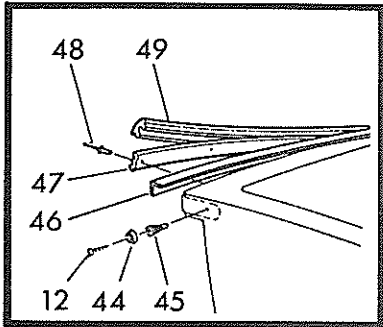
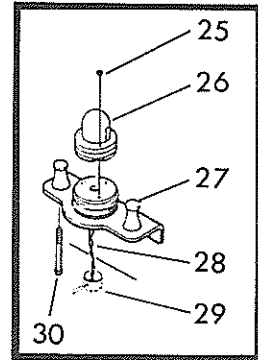
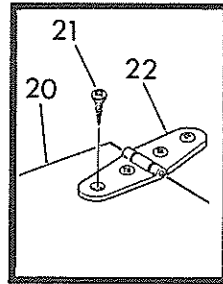
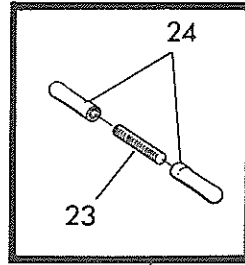
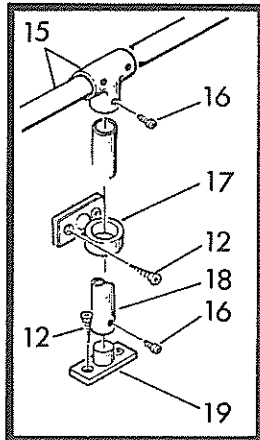
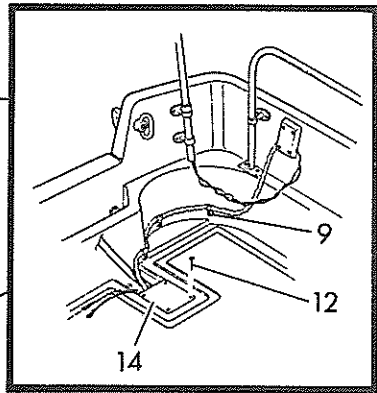
Det.	Part Number	Qty.	Description
1	12159903	1	Light, Stern
2	12137900	1	Harness, Light Switch
3	12008500	1	Block, Terminal
4	82183200	2	Screw, #8x1"
5	12557300	1	Cover, Terminal Block
6	82557500	4	Screw, #8x1-1/4"
7	12081200	1	Terminal, Wire
8	82009800	12	Screw, #8x5/8"
9	12120600	3	Clamp
10	12007905	1	Base, Lower Support
11	12007904	1	Base, Upper Support
12	82009900	42	Screw, #10x1"
13	82007907	1	Connector
14	62296400	1	Cover, Sump
15	72011201	1	Rail, Port Side (includes (2) Rail Tees #72011000)
16	82020700	20	Screw, #10x1/2"
17	72010900	8	Support, Stanchion Short
18	72011202	4	Stanchion
19	72010700	8	Base, Rail
20	62255400	1	Cover, Bow Locker
21	82104900	8	Screw, #10x3/4"
22	12140500	1/pr.	Hinges, Strap
23	12001600	1	Stud, 3/8"x3-7/32"
24	12001700	2	Pin, Norman
25	82322000	3	Screw, #4-40x3/4"
26	12321900	1	Light, Bow
27	12322200	1	Chock, Bow
28	32001100	1	Cord, Zip (2 strand), 21'
29	12009000	1	Sleeve
30	82010300	2	Screw, #5/16-18x3"
31	12017800	3	Nut, Eye
32	12255003	1	Stud, 7-5/8"
33	12025200	1	Seal, Bow Eye
34	12255000	3	Bow and Ski Eye
35	12008900	8	O-Ring, Neoprene
36	12160800	1	Vent, Stainless Steel
37	12012900	1	Tube, Drain, 4-7/8"
38	72011203	1	Rail, Starboard Side (includes (2) Rail Tees #72011000)
39	12308300	1 set	Decal, B.W. Logo
40	12018100	2	Plug, Drain
41	12012800	1	Tube, Drain, 14"
42	12001900	2	Tube, Drain, 2-5/8"
43	12255002	2	Stud, 4"
44	82002800	2	Washer, Finish, #10
45	12656200	2	Anchor, Screw, #10
46	12130700	1	Vinyl, Flex White, 37'
47	12082000	1	Vinyl, Rigid White, 37'
48	82136100	86	Rivet, Pop, 3/16x5/8"
49	12083400	1	Vinyl, Flex Black, 37'



Pamphlets

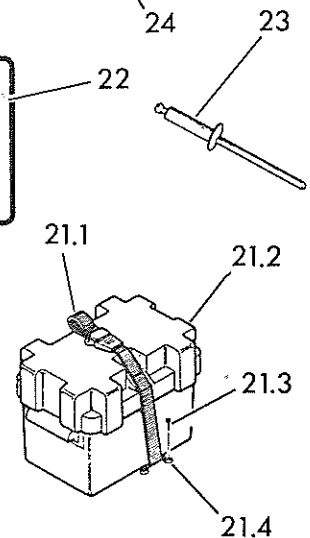
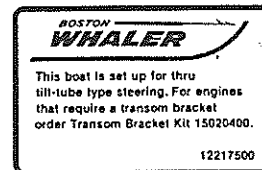
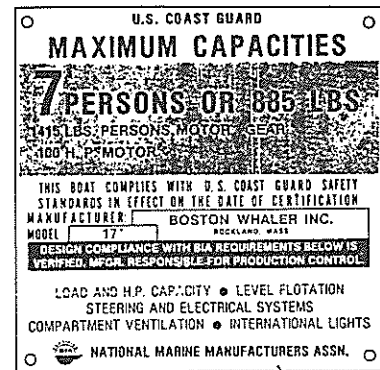
- 12023200 Wood Locating Diagram
- 12316100 Boat Pamphlet
- 12448200 Boston Whaler Owner's Manual
- 32013100 Owner's Instruction Check List
- 32013200 Owner's Instruction Envelope
- 32015400 CG290 Coast Guard Regulation Booklet

17' Striper



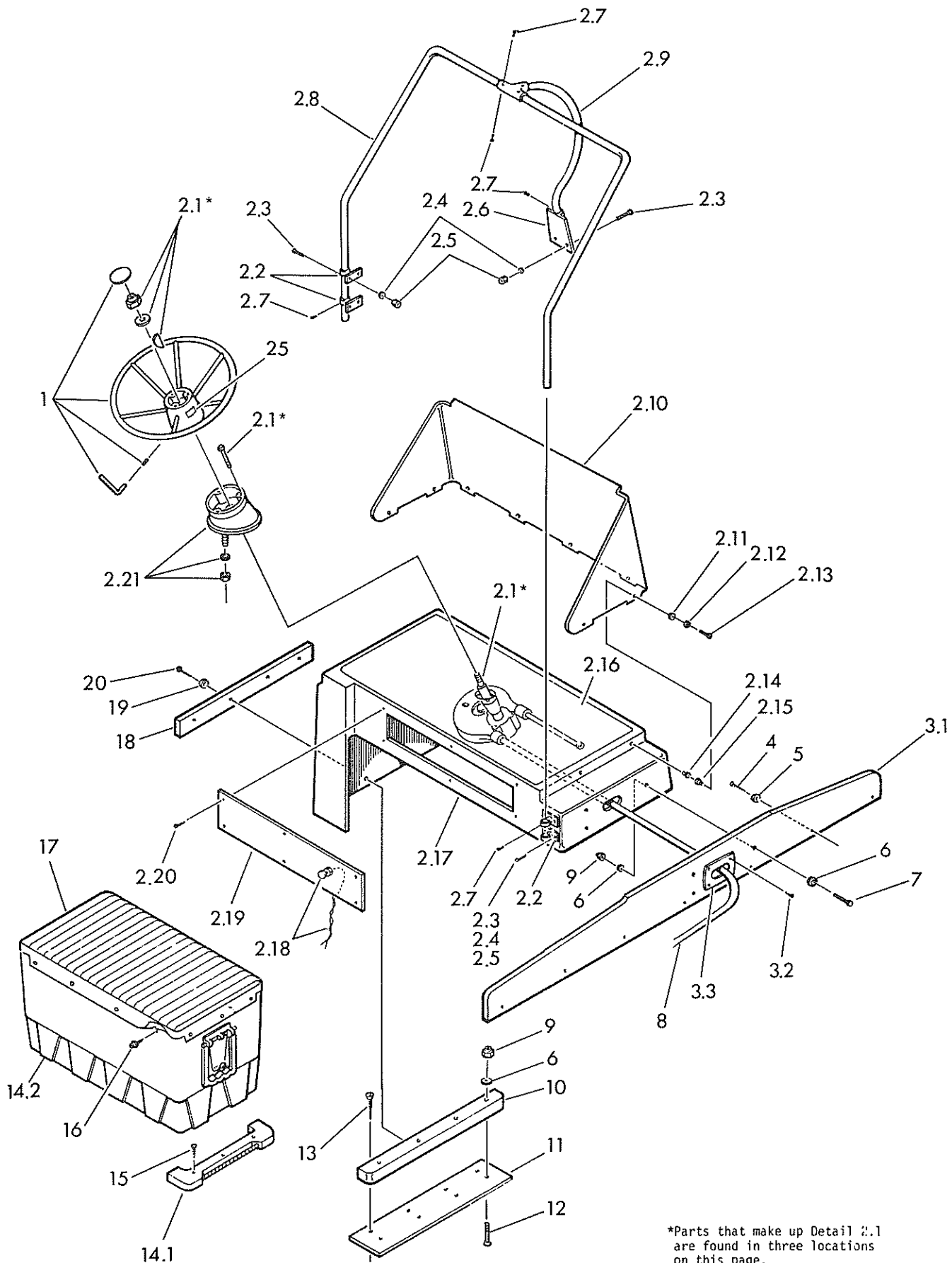
Det.	Part Number	Qty.	Description
1	12083800	1	Wheel, Steering, Stainless (to order packaged Stainless Wheel Assembly use order number 15061200)
2	15050017	1	Console Assembly with Steering (includes parts 2.1 - 2.21)
2.1	12349100	1	Helm, Steering, Single Cable
2.2	72040500	4	Support, Stanchion
2.3	82019801	10	Screw, #10-24x1"
2.4	82114200	10	Washer, Brass, #10
2.5	82114300	10	Stop Nut, Brass, #10-24
2.6	72040506	1	Base, Rail
2.7	82020700	12	Screw, #10x1/2"
2.8	72378501	1	Rail Console (includes (1) Large Rail Tee #72040507)
2.9	72146200	1	Stanchion, Rail
2.10	12379400	1	Windshield, Console
2.11	82035200	7	Washer, Flat, #10
2.12	82002800	7	Washer, Finish, #10
2.13	82017600	7	Screw, #10-32x1-1/4"
2.14	82138500	7	Well Nut, #G10-32
2.15	12139300	7	Bushing, Nylon
2.16	12378000	1	Cover, Console
2.17	22379500	1	Console, 17' Striper
2.18	12137900	1	Harness and Light Switch
2.19	62295700	1	Panel, Dash
2.20	82009800	6	Screw, #8x5/8"
2.21	12349000	1	Bezel, 20"
3	15066300	1	Riser Assembly (includes Parts 3.1 - 3.3)
3.1	62378400	1	Riser, Console, 17' Striper
3.2	82009800	4	Screw, #8x5/8"
3.3	12216600	1	Hawse, Pipe
4	82002400	6	Screw, #10x2"
5	82002800	6	Washer, Finish, #10
6	82035200	10	Washer, Flat, #1/4
7	82210400	3	Bolt, #1/4-20x2"
8	12434100	1	Cable, Steering, 13.5'
9	82150900	7	Stop Nut, #1/4-20
10	62378300	1	Cleat, Console
11	12377900	1	Plate, Floor
12	82065400	4	Screw, #1/4-20x2"
13	82109300	4	Screw, #14x1-1/2"
14	15017600	1	48 Quart Cooler (includes parts 14.1 - 14.2)
14.1	62320200	1	Cleat, Cooler
14.2	12172600	1	Cooler with Hooks and Cushion
15	82009500	6	Screw, #12x1-3/4"
16	82122400	14	Stud, #8-15x3/8"
17	12172400	1	Cushion, Cooler
18	62378200	1	Strip, Trim
19	82004500	4	Washer, Finish, #12
20	82279000	4	Screw, #12x3"

Det.	Part Number	Qty.	Description
21	15042800	1	Battery Box with Holddowns (includes parts 21.1 - 21.4)
21.1	12354000	1	Strap, Holddown
21.2	12348700	1	Box, Battery
21.3	82009900	4	Screw, #10x1"
21.4	12354100	2	Strap, Deck
22	12217500	1	Label, Steering, Tube, Tilt
23	82065700	4	Rivet, Pop, 1/8x1/4"
24	12425200	1	Plate, Capacity
25	12133000	1	Label, Warning, Steering Pull



Effective 2/85

17' Striper



*Parts that make up Detail 2.1 are found in three locations on this page.