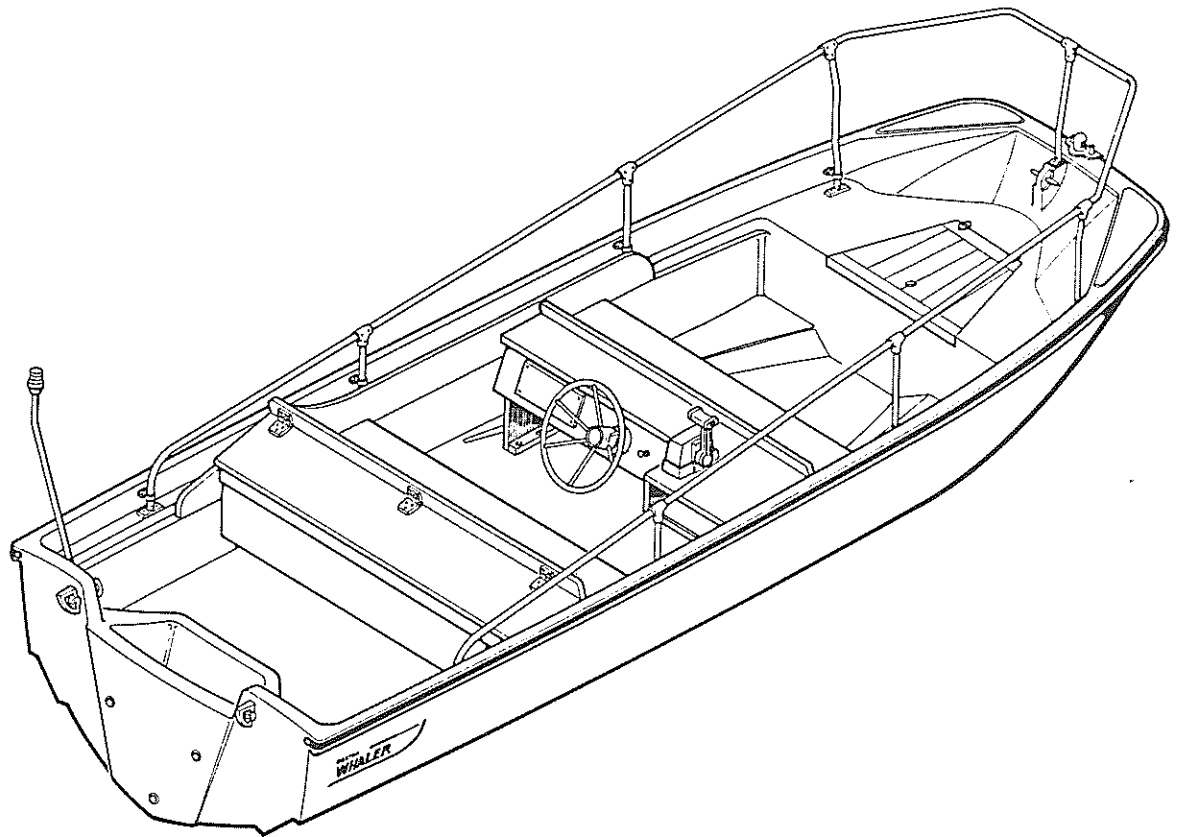
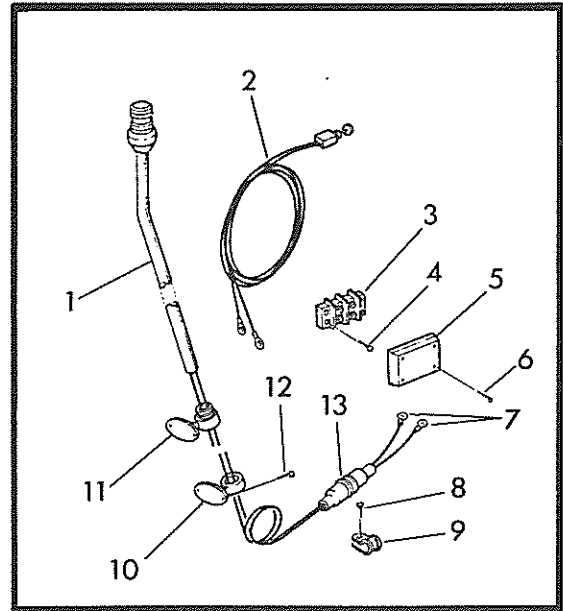


# 17' Super Sport



Det.	Part Number	Qty.	Description
1	12159903	1	Light, Stern
2	12137900	1	Harness and Light Switch
3	12008500	1	Block, Terminal
4	82183200	2	Screw, #8x1"
5	12557300	1	Cover, Terminal Block
6	82557500	4	Screw, #8x1-1/4"
7	12081200	1	Terminal, Wire
8	82009800	12	Screw, #8x5/8"
9	12120600	3	Clamp
10	12007905	1	Base, Lower Support
11	12007904	1	Base, Upper Support
12	82009900	46	Screw, #10x1"
13	12007907	1	Connector
14	62296400	1	Cover, Sump
15	62255400	1	Cover, Bow Locker
16	82104900	8	Screw, #10x3/4"
17	12140500	1/pr.	Hinge, Strap
18	72109304	2	Hot Dog
19	72011000	6	Tee, Rail
20	82020700	30	Screw, #10x1/2"
21	72010800	2	Support, Stanchion, Long
22	72574304	2	Stanchion, Bow, Port
23	72010700	9	Base, Rail
24	12001600	1	Stbd. 3/8"x3-7/32"
25	12001700	2	Pin, Norman
26	82322000	3	Screw, #4-40x3/4"
27	12321900	1	Light, Bow
28	12322200	1	Chock, Bow
29	43001100	1	Cord, Zip (2 strand), 21'
30	12009000	1	Sleeve
31	82010300	2	Screw, #5/16-18x3"
32	72574302	1	Stanchion, Bow
33	72019301	1	Section, Rail, Bow (includes (1) Rail Tee #72011000)
34	72574303	1	Stanchion, Bow, Stbd.
35	72019800	2	Fitting, Thru-Hull
36	12017800	3	Nut, Eye
37	12025200	1	Seal, Bow Eye
38	12255000	3	Bow and Ski Eye
39	12255003	1	Stud, 7-5/8"
40	12008900	8	O-Ring, Neoprene
41	12160800	1	Vent, Stainless Steel
42	12012900	1	Tube, Drain, 4-7/8"
43	72574301	2	Section, Rail, Side
44	72574306	2	Stanchion, Aft.
45	12308300	1/set	Decal, B.W. Logo
46	12018100	2	Plug, Drain
47	12012800	1	Tube, Drain, 14"
48	12001900	2	Tube, Drain, 2-5/8"
49	12255202	2	Stud, 4"
50	82002800	2	Washer, Finish, #10
51	12656200	2	Anchor, Screw, #10
52	12130700	1	Vinyl, Flex White, 37'
53	12082000	1	Vinyl, Rigid White, 37'
54	82136100	86	Rivet, Pop, 3/16x5/8"

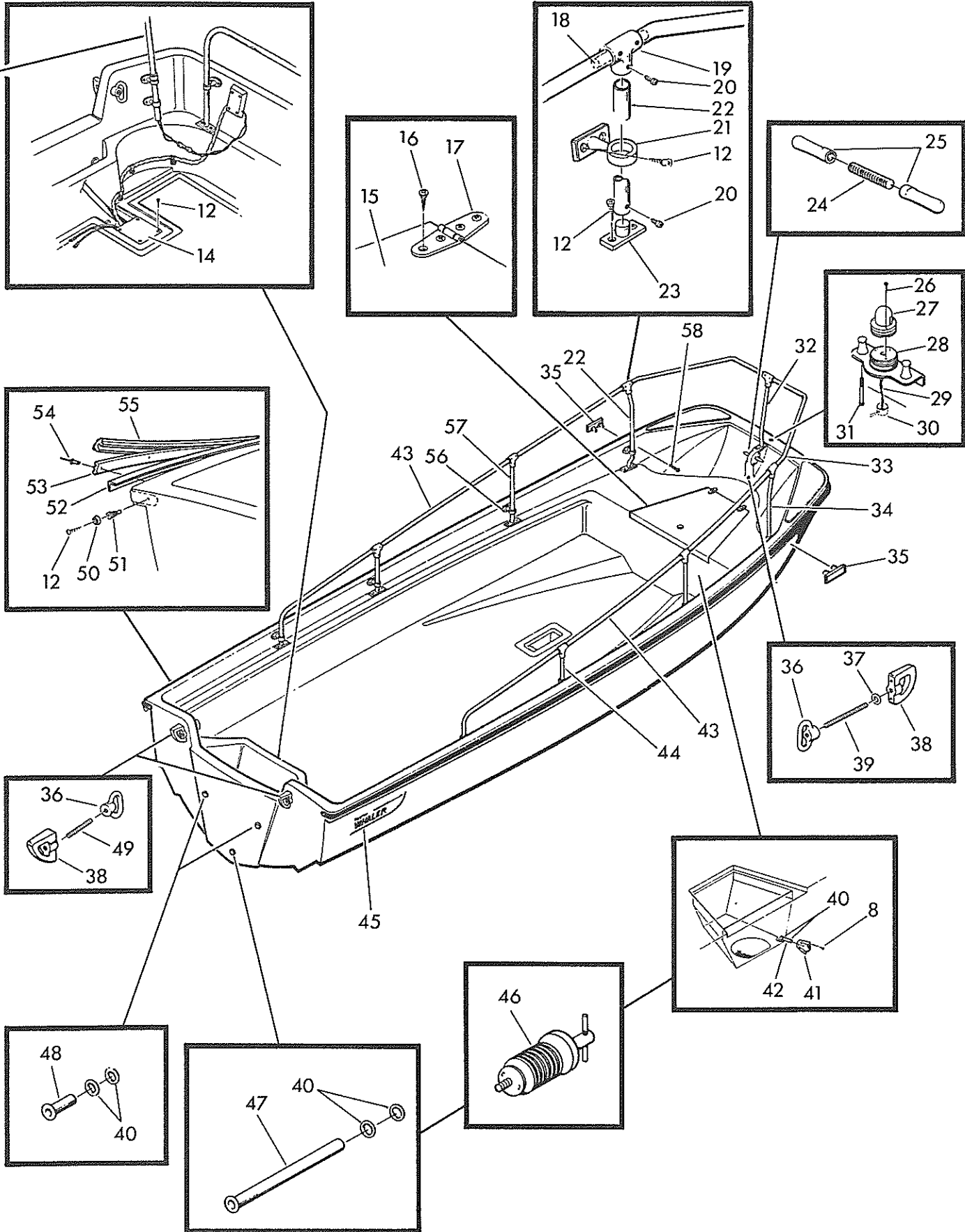


Det.	Part Number	Qty.	Description
55	12082300	1	Vinyl, Flex Black, 37'
56	72010900	6	Support, Stanchion, Short
57	72574305	2	Stanchion, Mid
58	82008200	4	Screw, #10-24x1"

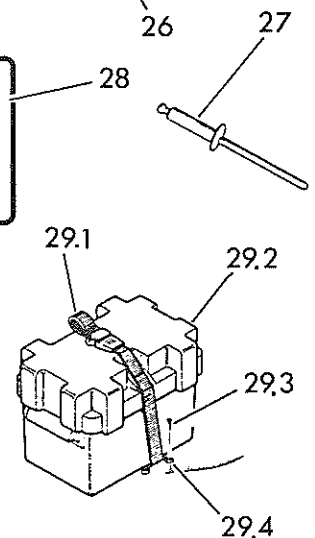
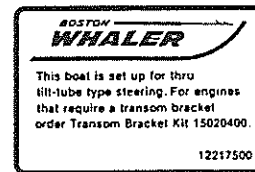
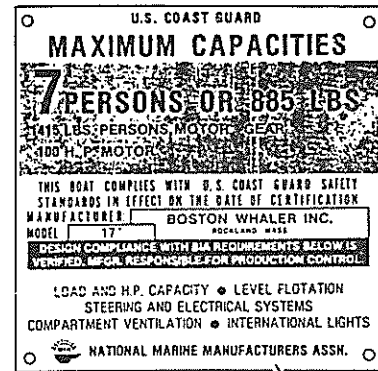
Pamphlets

12023200	Wood Locating Diagram
12316100	Boat Pamphlet
12448200	Boston Whaler Owner's Manual
32013100	Owner's Instruction Check List
32013200	Owner's Instruction Envelope
32015400	CG290 Coast Guard Regulation Booklet

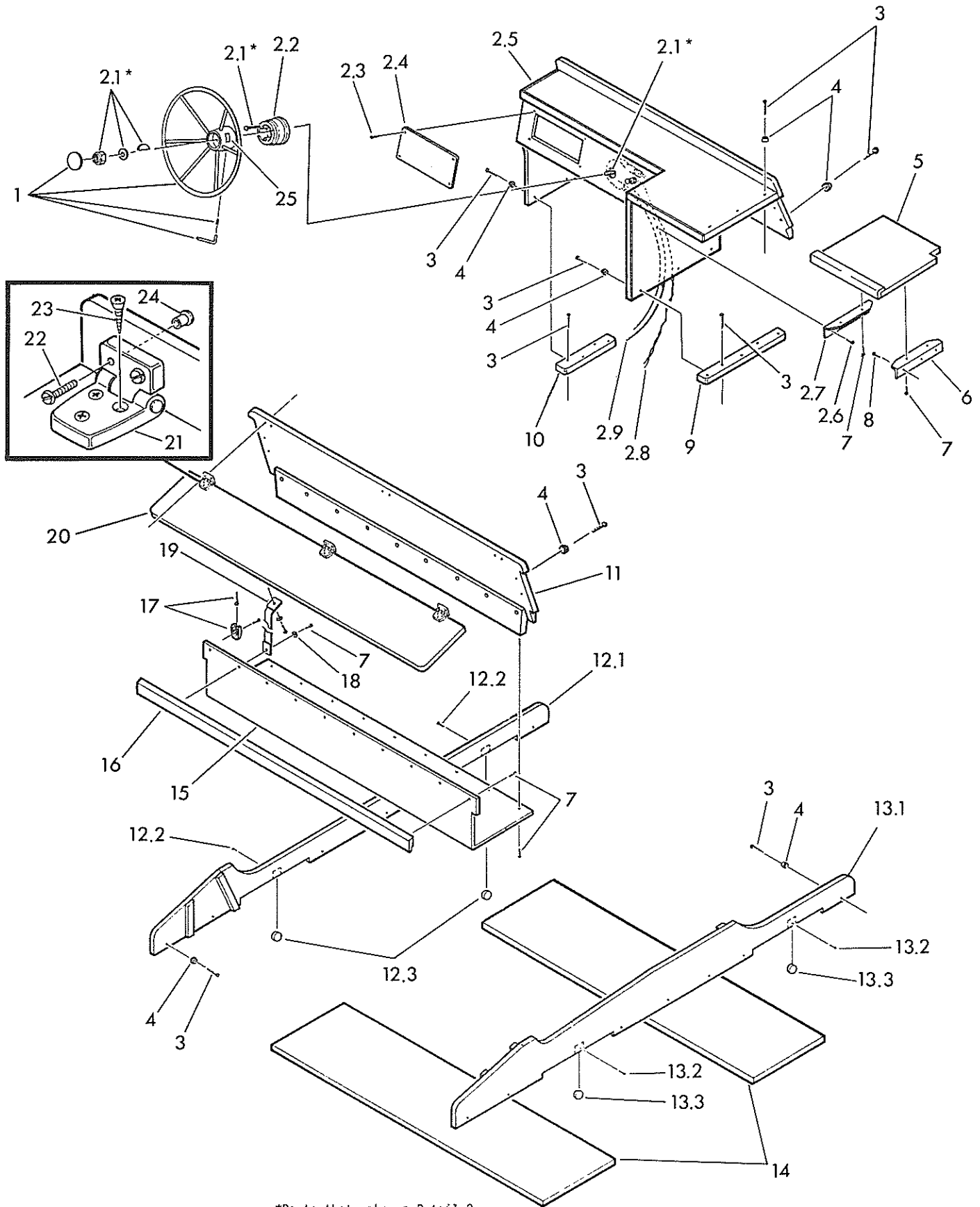
# 17' Super Sport



Det.	Part Number	Qty.	Description
1	12083800	1	Wheel, Stainless, Steering (to order packaged Steering Wheel Assembly use order number #15061200)
2	15100400	1	Console/Steerer Sub Assembly (includes parts 2.1 - 2.9)
2.1	12349100	1	Steerer, Helm, Single Cable
2.2	12348900	1	Bezel, 90°
2.3	82009800	4	Screw, #8x5/8"
2.4	62574100	1	Panel, Dash
2.5	62573400	1	Console Assembly
2.6	82018300	3	Screw, #8x3/4"
2.7	12151000	1	Bracket, Shelf, Aluminum
2.8	12137900	1	Harness and Light Switch
2.9	12143502	1	Cable, Steerer, 15.5'
3	82002400	37	Screw, #10x2"
4	82002800	28	Washer, Finish, #10
5	62574000	1	Shelf, Console
6	12151000	1	Bracket, Shelf, Aluminum
7	82009800	25	Screw, #8x5/8"
8	82018300	3	Screw, #8x3/4"
9	62572900	1	Cleat
10	62573000	1	Cleat
11	62573500	1	Aft Seat Back Assembly
12	15100200	1	Port Seat Clamp Assembly (includes parts 12.1 - 12.3)
12.1	62573200	1	Clamp, Seat, Port
12.2	82002700	2	Pin, #18x5/8"
12.3	12007500	2	Disc, Rubber, 1"
13	15100300	1	Stbd. Seat Clamp Assembly (includes parts 13.1 - 13.3)
13.1	62573300	1	Clamp, Seat, Stbd.
13.2	82002700	2	Pin, #18x5/8"
13.3	12007500	2	Disc, Rubber, 1"
14	62573100	2	Seat
15	12573900	1	Locker Bin, Kydex
16	62573700	1	Jamb, Locker
17	12060900	2	Catch (includes attaching hardware)
18	82091700	4	Washer, Flat
19	12587000	2	Strap, Cover, Locker
20	62573600	1	Cover, Locker, Aft.
21	12113000	3	Hinge, Strap
22	82010100	9	Screw, #8x3/4"
23	82646200	6	Screw, #10-24x3/4"
24	82408600	6	Nut, Barrel, #10-24
25	12133000	1	Label, Steering Pull Warning
26	12425200	1	Plate, Capacity
27	82065700	4	Rivet, Pop, 1/8x1/4"
28	12217500	1	Label, Tilt Tube Steering
29	15042800	1	Battery Box with Holddowns (includes parts 29.1 - 29.4)
29.1	12354000	1	Strap, Holddown
29.2	12348700	1	Box, Battery
29.3	82009900	4	Screw, #10x1"
29.4	12354100	2	Strap, Deck



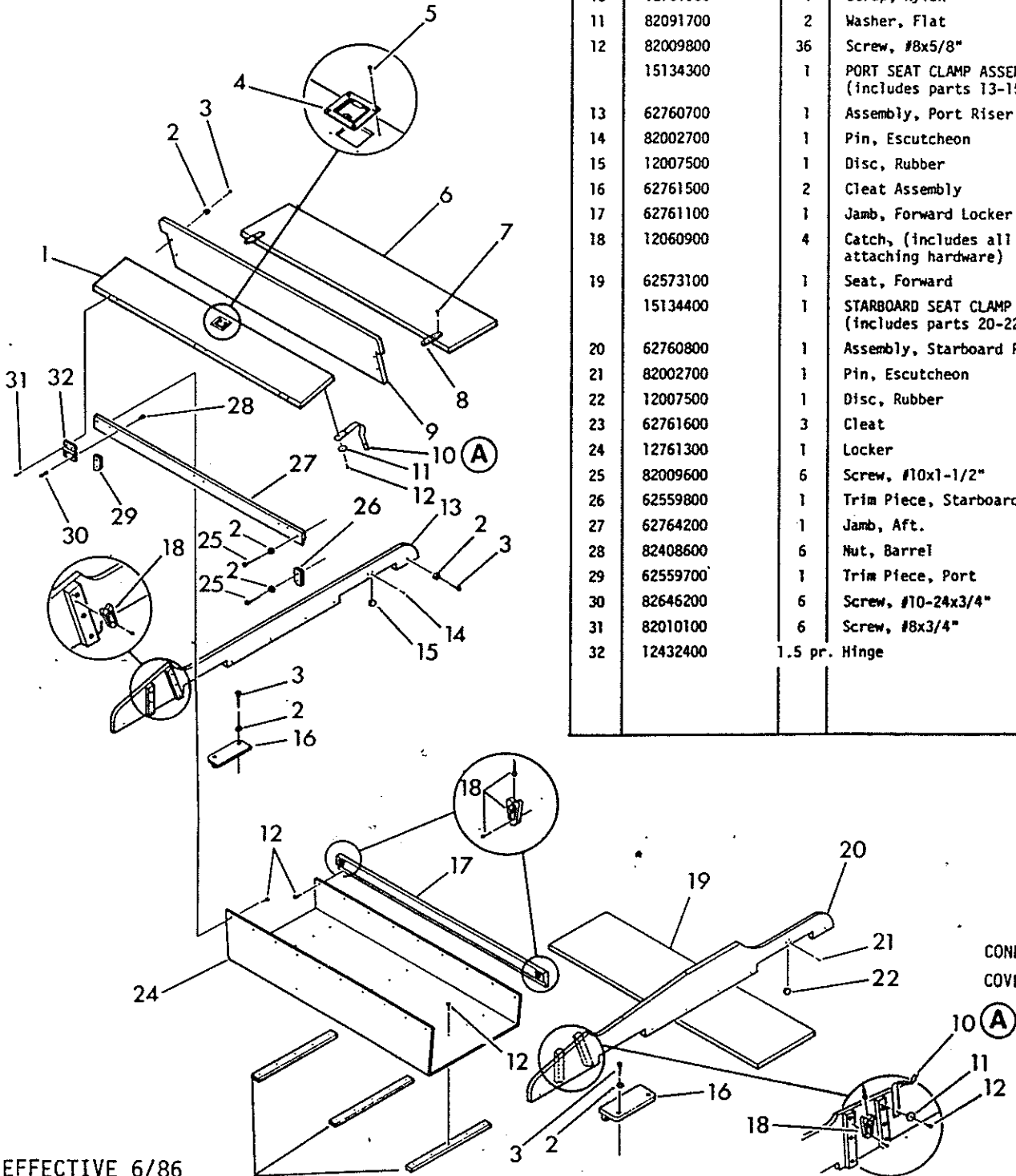
# 17' Super Sport



\*Parts that make up Detail 2 are found in three locations on this page.

THE FOLLOWING PARTS HAVE BEEN CHANGED TO PROMOTE INCREASED STORAGE AND EASIER ACCESS TO THE STORAGE LOCKER ON THE 17' SUPER SPORT MODEL. USING THIS SHEET IN CONJUNCTION WITH THE PARTS CATALOG, (MINUS THE PARTS THIS LIST REPLACES), INDICATES ALL THE PARTS NECESSARY TO BUILD THE NEW VERSION 17' SUPER SPORT, AS OF JUNE 31, 1985

Det.	Part Number	Qty.	Description
1	622761200	1	Cover, Locker
2	82002800	22	Washer, Finish, #10
3	82002400	34	Screw, #10x2"
4	12086100	1	Handle, Flush
5	82038900	4	Screw, #6x3/4"
6	62760900	1	Cover, Seat
7	82104900	12	Screw, #10x3/4"
8	12140500	1.5 pr.	Hinge, Strap
9	62761000	1	Aft. Seat Back Assembly
10	12761900	1	Strap, Nylon
11	82091700	2	Washer, Flat
12	82009800	36	Screw, #8x5/8"
	15134300	1	PORT SEAT CLAMP ASSEMBLY (includes parts 13-15)
13	62760700	1	Assembly, Port Riser
14	82002700	1	Pin, Escutcheon
15	12007500	1	Disc, Rubber
16	62761500	2	Cleat Assembly
17	62761100	1	Jamb, Forward Locker
18	12060900	4	Catch, (includes all attaching hardware)
19	62573100	1	Seat, Forward
	15134400	1	STARBOARD SEAT CLAMP ASSY. (includes parts 20-22)
20	62760800	1	Assembly, Starboard Riser
21	82002700	1	Pin, Escutcheon
22	12007500	1	Disc, Rubber
23	62761600	3	Cleat
24	12761300	1	Locker
25	82009600	6	Screw, #10x1-1/2"
26	62559800	1	Trim Piece, Starboard
27	62764200	1	Jamb, Aft.
28	82408600	6	Nut, Barrel
29	62559700	1	Trim Piece, Port
30	82645200	6	Screw, #10-24x3/4"
31	82010100	6	Screw, #8x3/4"
32	12432400	1.5 pr.	Hinge



CONNECTS TO LOCKER COVER (A), DETAIL 1.