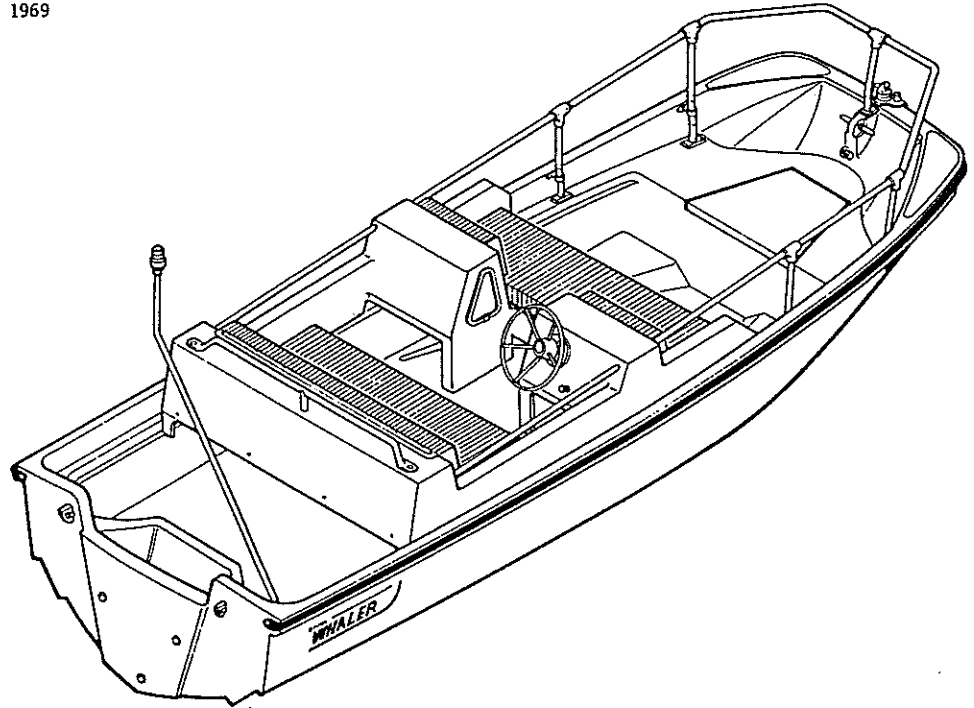


17' Super Sport Limited

BOSTON
WHALER

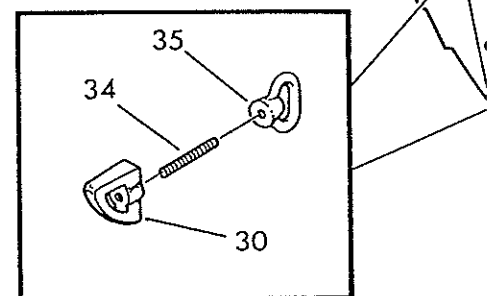
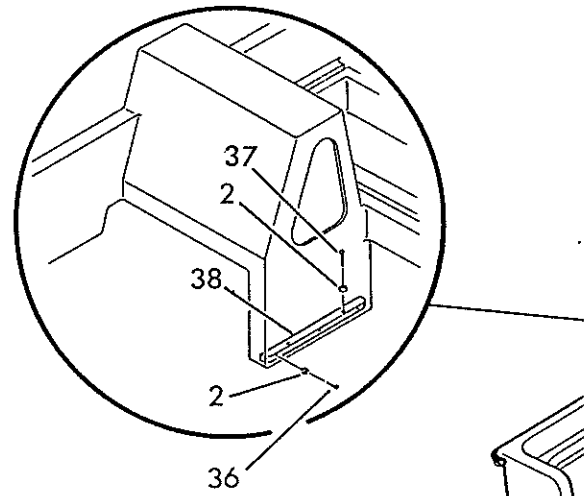
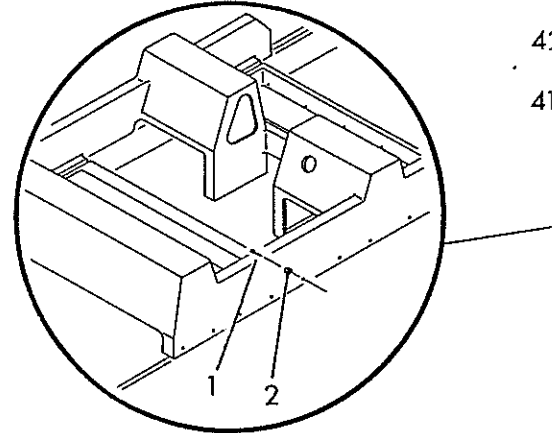
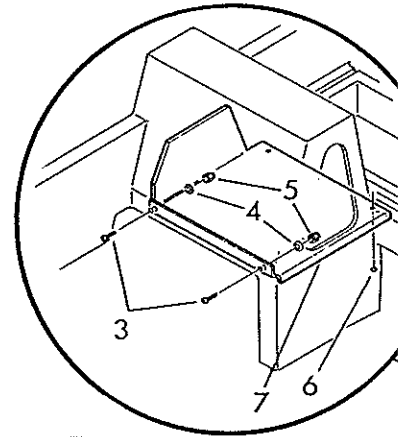


a CML Group Company since 1969



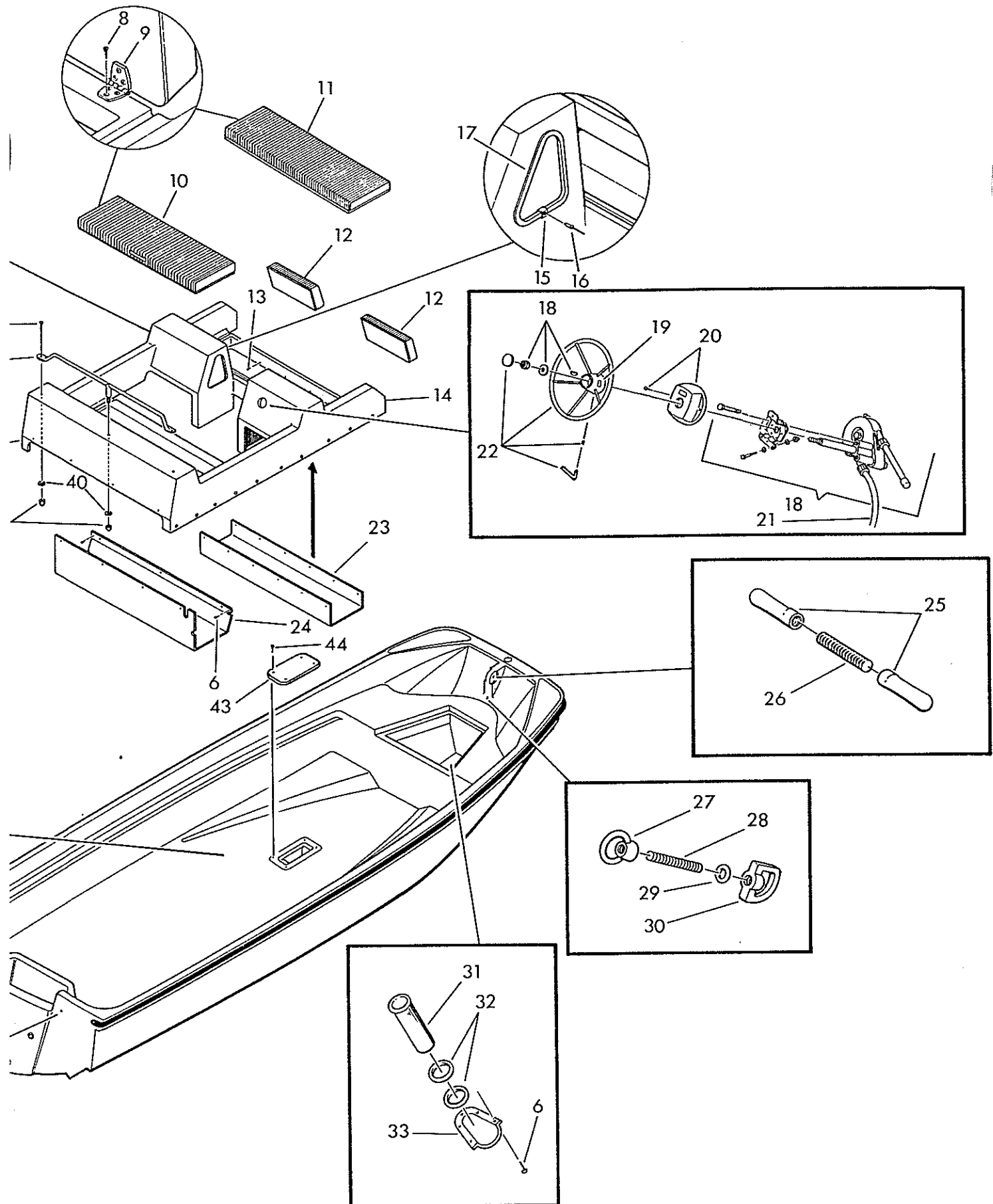
EFFECTIVE 11/86

Det.	Part Number	Qty.	Description
1	82002400	20	Screw, #10x2"
2	82002800	20	Washer, Finish, #10
3	82061600	2	Screw, #8-32x1"
4	82062500	2	Washer, Flat, #8
5	82158400	2	Stopnut, Elastic, Brass, #8-32
6	82009800	9	Screw, #8x5/8"
7	12795400	1	Bin, Storage, Port
8	82067900	36	Screw, #8x7/8" (18 each- Forward and Aft. Seat Cushion)
9	12796700	6	Hinge, Plastic (3 each- Forward and Aft. Seat Cushion)
10	12796800	1	Cushion, Seat, Aft.
11	12796700	1	Cushion, Seat, Forward
12	12796900	2	Cushion, Seat Back, Forward
13	82009800	12	Screw, #8x5/8" (Attaching hardware for Forward Seat Locker) detail #23, this page)
14	22900500	1	Module, 17' Super Sport Limited
15	12298500	1	Clip, Trim Edge
16	82794600	1	Rivet, Pop, 5/32" Grip
17	43024400	1	Trim Loc Tan, 30"
18	12349100	1	Helm, Single Cable
19	12217500	1	Label, Warning, Steering Pull
20	12348900	1	Bezel, Hub, 90 degree
21	12557700	1	Cable, Steering, 11'
22	12083800	1	Wheel, Steering, Stainless Steel (to order packaged Stainless Steel Wheel Assembly, use order number 15061200)
23	12795300	1	Locker, Seat, Forward (see detail #13 for attaching hardware)
24	12795500	1	Locker, Seat, Aft.
25	12557400	2	Pin, Norman, Chrome
26	12001600	1	Stud, 3/8"x3-7/32"
27	12017800	1	Nut, Eye, Chrome, 1/2"
28	12255003	1	Stud, 7-5/8"
29	12025200	1	Seal, Bow Eye
30	12255000	3	Head Bow and Ski Eye
31	12012900	1	Tube, Drain, 4-7/8"
32	12008900	8	O-Ring, Neoprene
33	12160800	1	Vent, Stainless Steel
34	12255002	2	Stud, 4"
35	12320600	2	Nut, Eye
36	82002500	6	Screw, #10x1-1/2"
37	82372300	4	Screw, #10x1-3/4"
38	62916900	2	Cleat, Floor
39	82150900	3	Stopnut, Elastic, Brass, #1/4-20
40	82035200	3	Washer, Flat, #1/4"
41	12792400	1	Rail, Grab, 54"
42	82106600	2	Screw, #1/4-20x2-1/4"
43	12797300	1	Cover, Tunnel
44	82121100	4	Screw, #6x3/4"

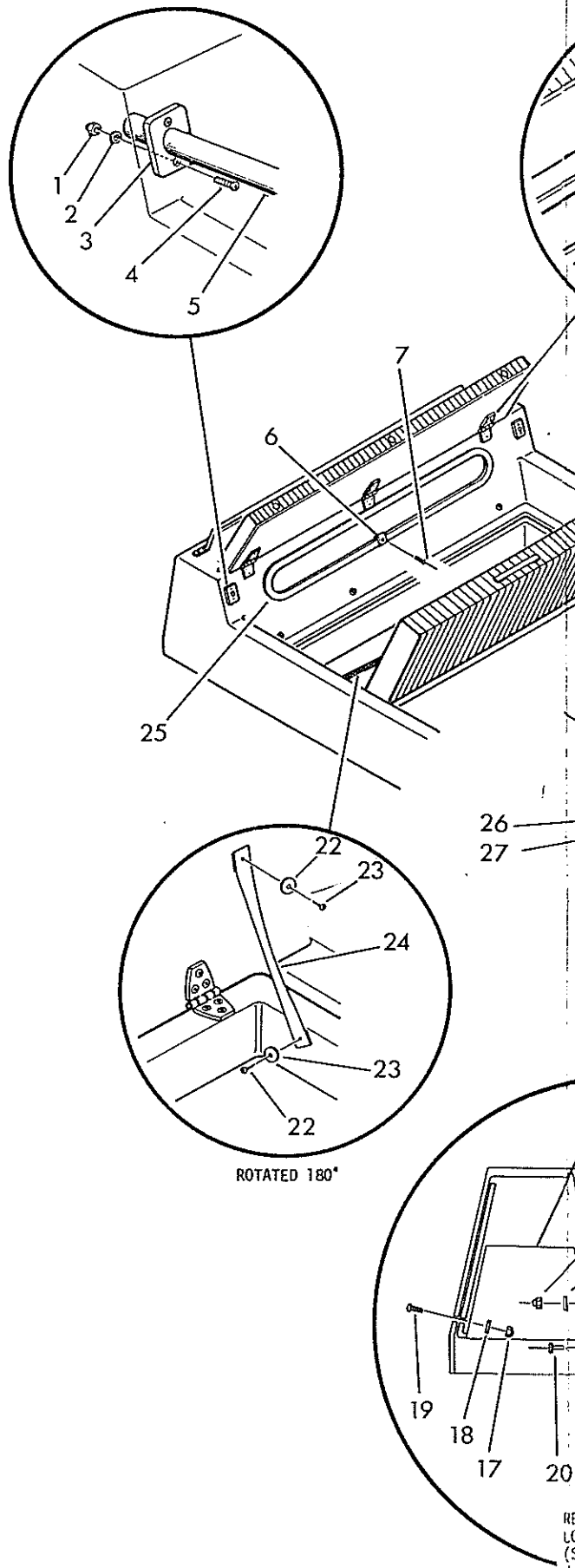


EFFECTIVE 11/86

17' Super Sport Limited



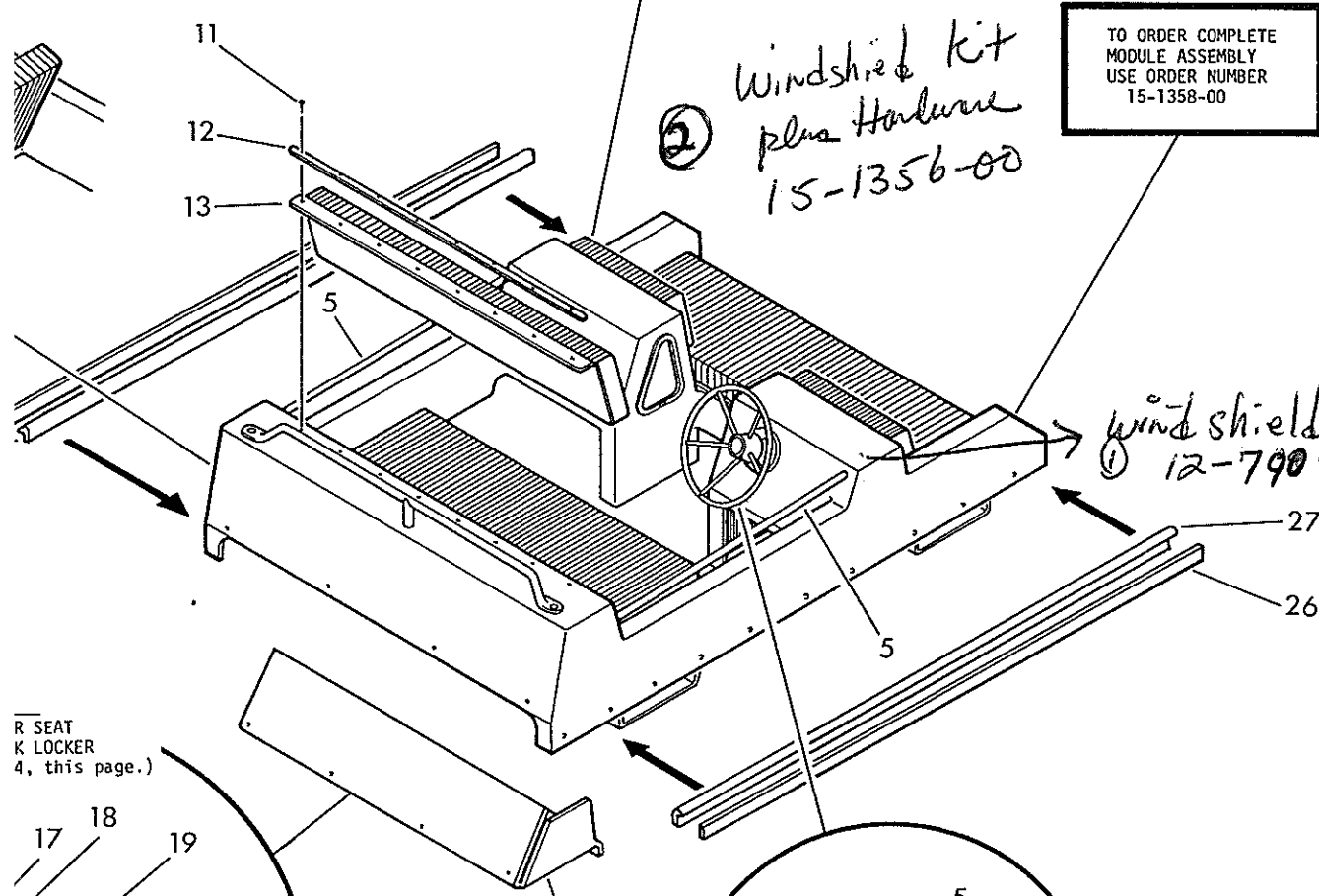
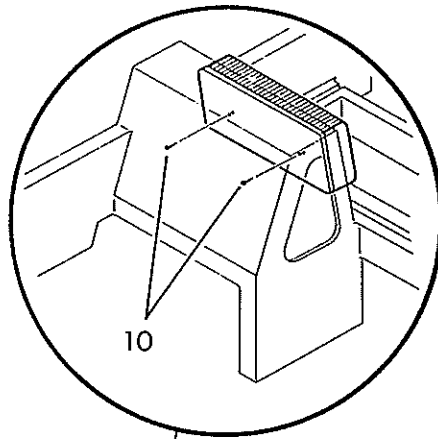
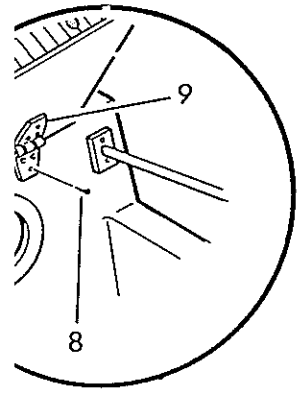
Part Number	Qty.	Description
82158400	4	Stopnut, Elastic, Brass, #8-32 (2 each side-Port and Starboard)
82062500	4	Washer, Flat, #8 (2 each side-Port and Starboard)
72795900	2	Plate, Rail, Side
82019608	4	Screw, #8-32x1-5/8" (2 each side- Port and Starboard)
72795800	2	Rail, Side, Seat Module
12298500	1	Clip, Edge, Trim
82794600	1	Rivet, Pop, 5/32" Grip
82067900	18	Screw, #8x7/8"
72792090 12-9603	3	Hinge, Plastic SS.
82183200	4	Screw, #8x1" (2 each Seat Back Cushion-Port and Starboard)
82121100	8	Screw, #6x3/4"
12796200	1	Strake, Rub
12797000	1	Cushion, Back, Seat, Aft.
12795600	1	Locker, Back, Rear Seat
82035200	2	Washer, Flat, #1/4" (1 each side-Port and Starboard)
82150900	2	Stopnut, Elastic, Brass, #1/4-20 (1 each side-Port and Starboard)
82158400	12	Stopnut, Elastic, Brass, #8-32
82062500	12	Washer, Flat, #8
82136800	8	Screw, #8-32x1"
82033700	9	Rivet, Pop
82786100	4	Screw, #8-32x1-3/8"
82009800	8	Screw, #8x5/8" (4 each- Forward and Aft. Seat Cushion)
82091700	8	Washer, Flat (4 each- Forward and Aft. Seat Cushion)
12761900	4	Strap, Restraining (2 each- Forward and Aft. Seat Cushions)
43024400	1	Trim Loc Tan, 108"
12799700	2	Shim, Module
43020300	2	Welting, Tan, 6.25' each



Pamphlets

- 12316100 Boat Pamphlet
- 12448200 Owners Manual, 9'-17' Boats
- 15134900 Packing List 17' Super Sport Limited
- 15023200 Wood Locating Diagram
- 32013200 8x10 Poly Envelope
- 32015400 C G 290 Coast Guard Regulation Booklet

17' Super Sport Limited

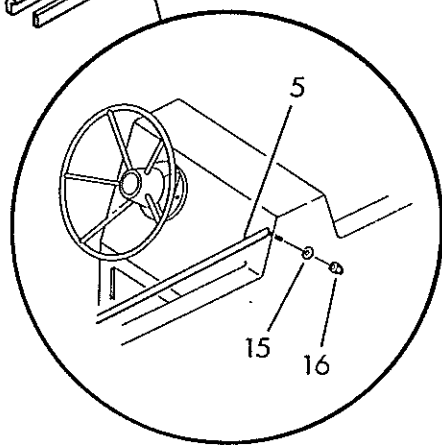
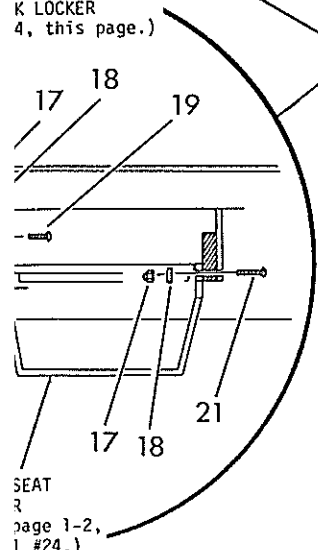


② Windshield kit plus Hardware 15-1356-00

TO ORDER COMPLETE MODULE ASSEMBLY USE ORDER NUMBER 15-1358-00

① windshield str. 12-7904-00

R SEAT K LOCKER 4, this page.)



SEAT 3 page 1-2, 1 #24.)

Det.	Part Number	Qty.	Description
1	82009900	28	Screw, #10x1"
2	82002800	2	Washer, Finish, #10
3	12656200	2	Anchor, Plastic
4	12130700	1	Vinyl, Flex, Moonstone, 37'
5	82136100	86	Rivet, Pop, 3/16x5/8" Grip
6	12082000	1	Vinyl, Rigid, Moonstone, 37'
7	12082300	1	Vinyl, Flex, Black, 37'
8	82150900	2	Stopnut, Elastic, Brass, #1/4-20
9	82035200	2	Washer, Flat, 1/4"
10	72795700	2	Rail, Bow Side
11	72010700	5	Base, Rail
12	72010900	4	Stanchion, Short
13	72019304	2	Tubing, Insert
14	72011000	4	Tee, Small
15	82020700	20	Screw, #10-24x1/2"
16	72796103	1	Stanchion, Forward, Port
17	82776900	3	Screw, #6x1"
18	12008400	1	Light, Bow
19	12328400	1	Chock, Bow, Inland Rule
20	82091601	2	Screw, 5/16-18x2-1/2"
21	72796105	2	Stanchion, Aft.
22	72796101	1	Rail, Bow Section
23	72796102	1	Stanchion, Bow
24	22798800	1	Cover, Locker, Bow
25	82068500	3	Screw, #10x1-1/4"
26	62922500	1	Cleat
27	12065800	2	Strap, Eye
28	82418000	2	Screw, #6x5/8"
29	15060500	1	Cord, Shock, Assembly
30	82033700	2	Rivet, Pop, 3/16x1/2"
31	72796104	1	Stanchion, Forward, Starboard
32	12137900	1	Harness, Light Switch
33	12008500	1	Block, Terminal
34	82183200	2	Screw, #8x1"
35	12557300	1	Cover, Block, Terminal
36	82557500	4	Screw, #8x1-1/4"
37	12018200	2	Terminal, Wire
38	82009800	3	Screw, #8x5/8"
39	1210600	3	Clamp, Support
40	12007905	1	Base, Lower Support
41	12007904	1	Base, Upper Support
42	12159903	1	Light, Stern
43	12732900	1	Block, Fuse
44	43001100	1	Cord, Zip, 2 Strand, 21"
45	12303800	1	Logo, Decal, 28"
46	12354000	1	Strap, Holddown
47	12348700	1	Box, Battery
48	12354100	2	Strap, Deck
49	12018100	2	Plug, Drain
50	12012800	1	Tube, Drain, 14"
51	12008900	4	O-Ring, Neoprene
52	12001900	2	Tube, Drain, 2-5/8"
53	12425200	1	Label, Capacity
54	82065700	4	Rivet, Pop, 1/8x1/4" Grip

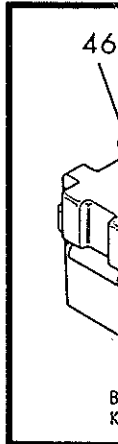
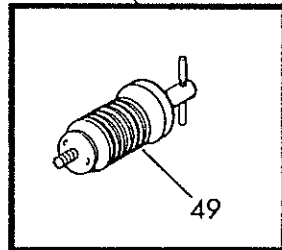
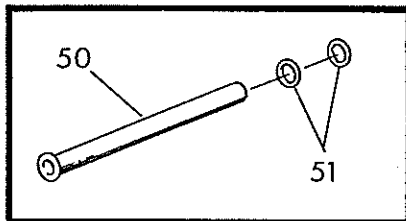
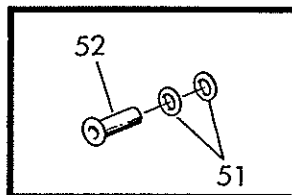
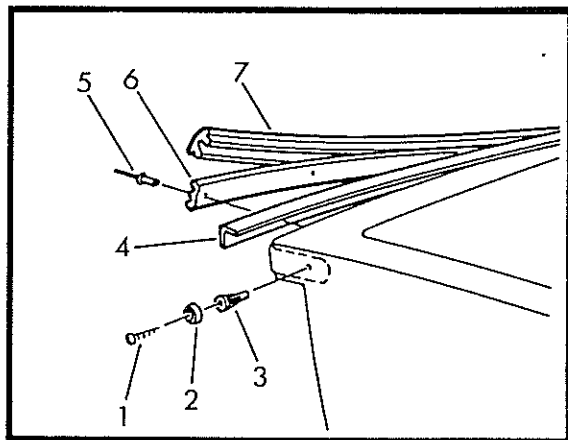
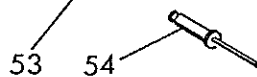
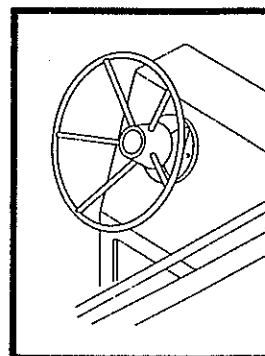
U.S. COAST GUARD
MAXIMUM CAPACITIES
7 PERSONS OR 885 LBS
 1415 LBS. PERSONS, MOTOR, GEAR
 100 H. P. MOTOR

THIS BOAT COMPLIES WITH U.S. COAST GUARD SAFETY STANDARDS IN EFFECT ON THE DATE OF CERTIFICATION MANUFACTURED BY: **BOSTON WHALER INC.**
(EST. 1969 2001)

MODEL: 37
 CHECK COMPLIANCE WITH BIA REQUIREMENTS BELOW IS VERIFIED, MFGOR. RESPONSIBLE FOR PRODUCTION CONTROL.

LOAD AND H.P. CAPACITY • LEVEL FLotation
 STEERING AND ELECTRICAL SYSTEMS
 COMPARTMENT VENTILATION • INTERNATIONAL LIGHTS

NATIONAL MARINE MANUFACTURERS ASSN.



17' Super Sport Limited

Chuck Assy 12-3222-00

