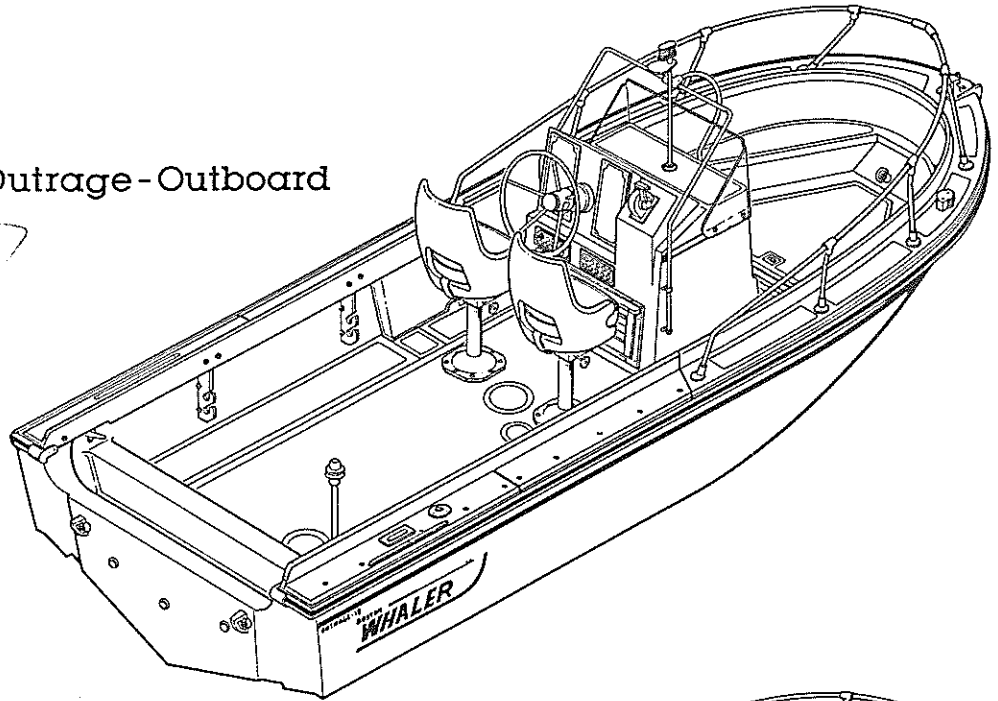


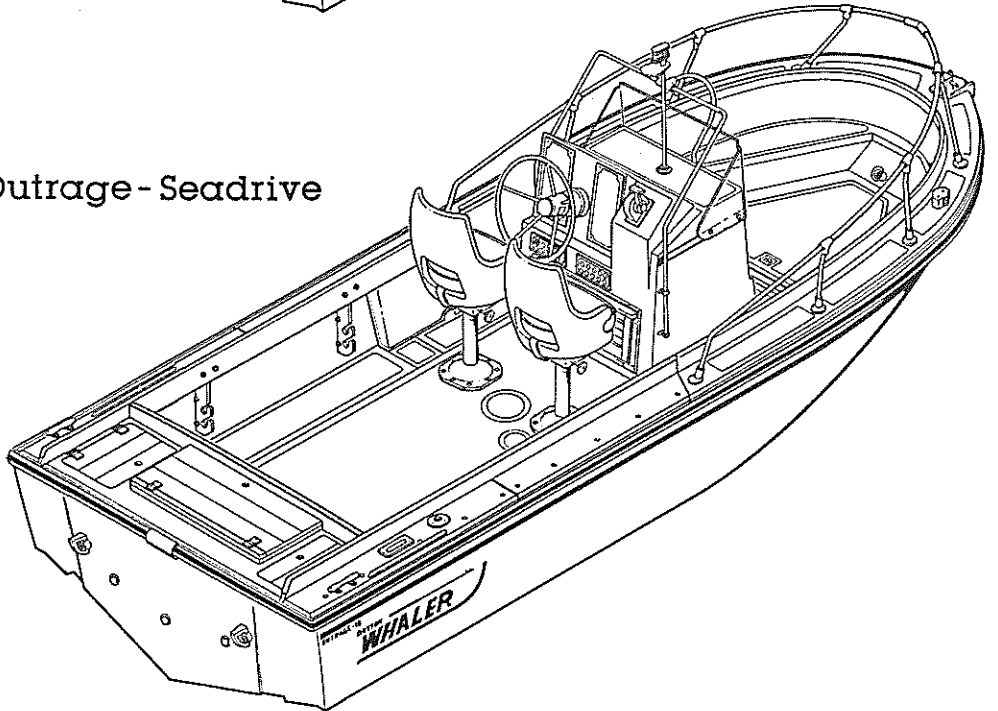
# 18' Outrage - Outboard / Seadrive



18' Outrage - Outboard



18' Outrage - Seadrive



**\*NOTE:**

THIS PARTS CATALOG CONTAINS ONLY THOSE PARTS COMMON TO BOTH 18' OUTRAGE - OUTBOARD AND SEADRIVE.

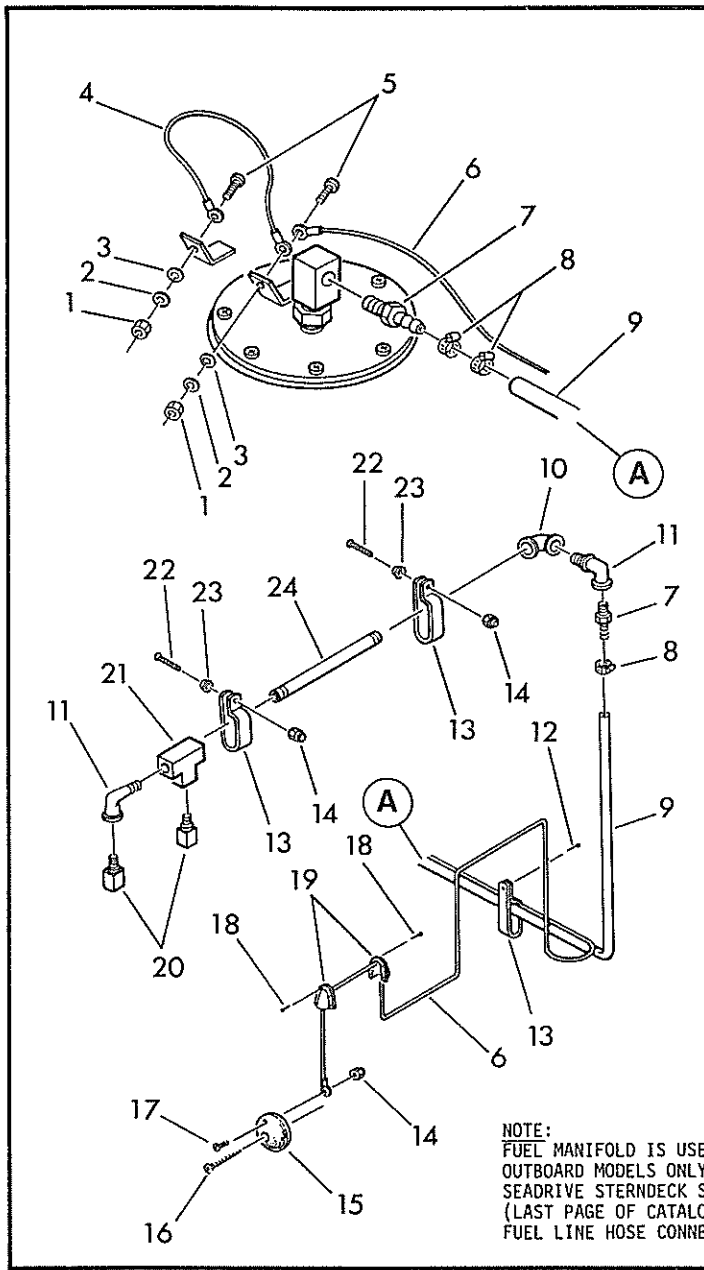
AS SOON AS A SEADRIVE STERNDECK IS BEING INSTALLED BY CONVERSION, THE COMPLETED PARTS BREAKDOWN FOR THE SEADRIVE WILL BE SENT TO YOU.

Det.	Part Number	Qty.	Description
1	82016300	3	Nut, Hex, #10-24
2	82016500	3	Washer, Star, #10-ext.
3	82016400	3	Washer, Flat, #10
4	12426000	1	Wire, Ground
5	82020700	3	Screw, #10-24x1/2"
6	12206300	1	Wire, Ground, 60"
7	12127400	2	Barb, Male
8	12127600	3	Clamp, Hose, Fuel Line
9	43014300	1	Hose, Fuel Line, 50"
10	12211300	1	Elbow, 90 Degree, 1/4"
11	12209700	2	Elbow, Street, 1/4"
12	82009800	5	Screw, #8x5/8"
13	12136700	5	Clamp, Support
14	82114300	3	Stopnut, Brass, #10-24
15	12171800	1	Plate, Ground
16	82109300	1	Screw, #14x1-1/2"
17	82160100	1	Screw, #10-24x1/2"
18	82068300	16	Screw, #8x5/8"
19	12117000	2	Ventilator, Stainless Steel
20	12308900	2	Plug, Brass
21	12211000	1	Tee
22	82019801	2	Screw, #10-24x1-1/2"
23	82002800	2	Washer, Finish, #10
24	12464400	1	Nipple, Brass
25	82372300	49	Screw, #10x1-3/4"
26	22462600	1	Cover, Tank, Fuel
27	12139500	3	Strap, Aluminum
28	12142800	3	Pad, Fabreeka
29	62141800	6	Shim, Tank, Fuel
30	82066400	12	Screw, Cap, Hex Head, #1/4-20x1"
31	82076200	12	Lockwasher, Split, #1/4x062T
32	12299500	2	PYHI, 8"
33	82150800	40	Rivet, Pop, 3/16"
34	12372400	2	PYHI, 6"
35	12255200	1	PYHI, Clear, 6"
36	12133800	.50	Collar, Tunnel
37	12453500	1	Tank, Fuel, 63 gallon
38	12142900	2.5	Pad, Tank, Gas
39	12299000	1	Strap, Fuel System
40	12143000	2.5	Pad, Tank, Gas
41	82232800	2	Stopnut, Elastic, Brass, #4-40
42	12326200	2	Spring
43	12326300	2	Tube, Spacer
44	82326400	2	Screw, #4-40x1-3/8"
45	12180902	1	Tyrap
46	12530000	1	Spring, Vent, 12"
47	12126000	3	Clamp, Vent Hose
48	12298900	1	Fitting, Vent
49	12162200	1	Label, No Smoking
50	43014100	1	Hose, Vent, 9'
51	12529900	1	Spring, Vent, 6"
52	43014200	1	Hose, Fill, 42"
53	12158800	1	Wire, Ground, 108"
54	12126200	2	Clamp, Hose, Fill

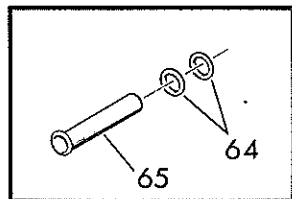
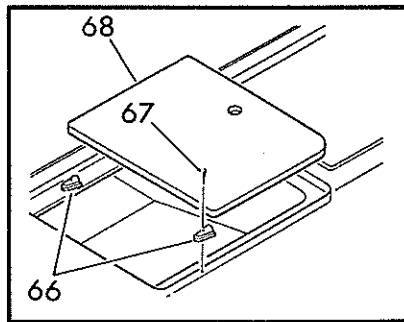
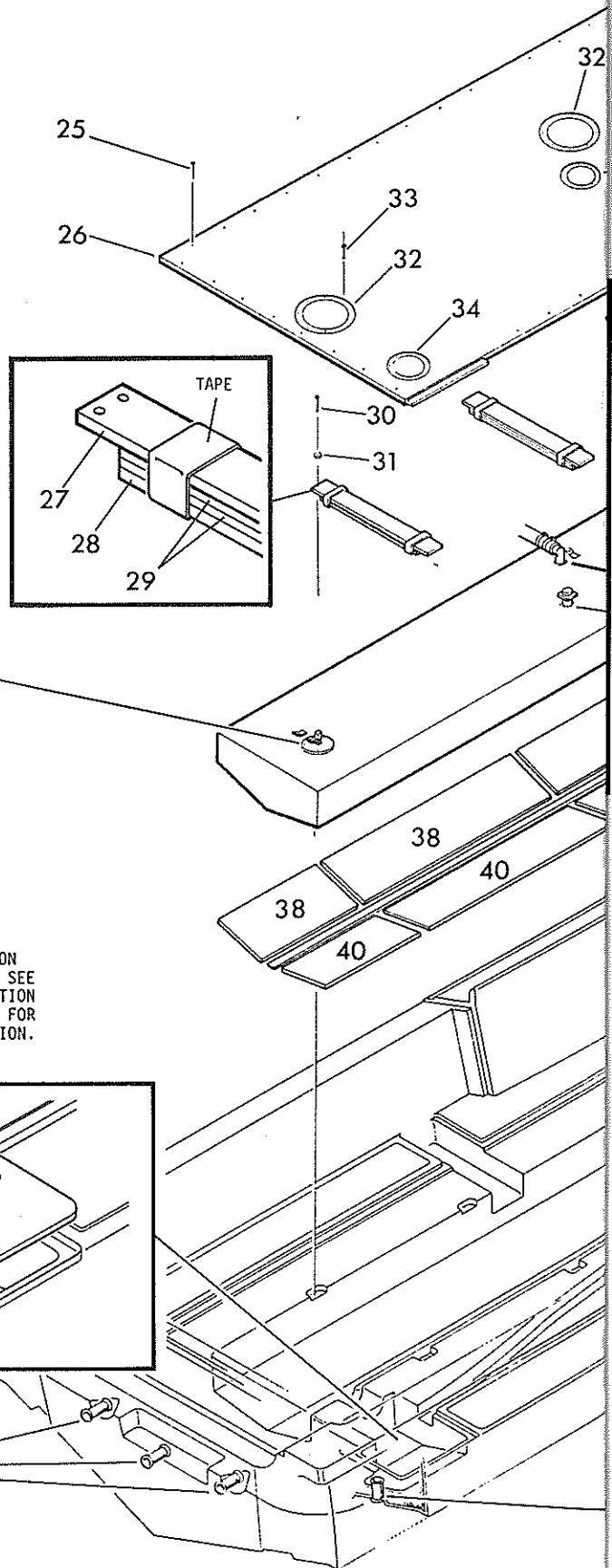
Det.	Part Number	Qty.	Description
55	12255000	1	Head, Bow and Ski Eye
56	12025200	1	Seal, Bow Eye
57	12255005	1	Shank, Bow Eye
58	12017800	1	Nut, Eye, Chrome, 1/2"
59	12018100	2	Plug, Drain
60	12012900	1	Tube, Drain, 4-7/8"
61	12008900	4	O-Ring, Neoprene
62	12160800	2	Ventilator, Stainless Steel
63	12001900	1	Tube, Drain, 2-5/8"
64	12612100	6	O-Ring, Neoprene
65	12612000	3	Tube, Drain, 1-1/4"x3-1/2"
66	12059400	2	Stop, Cast End
67	82161100	2	Screw, #6x1"
68	62463400	1	Cover, Sump

PAMPHLETS

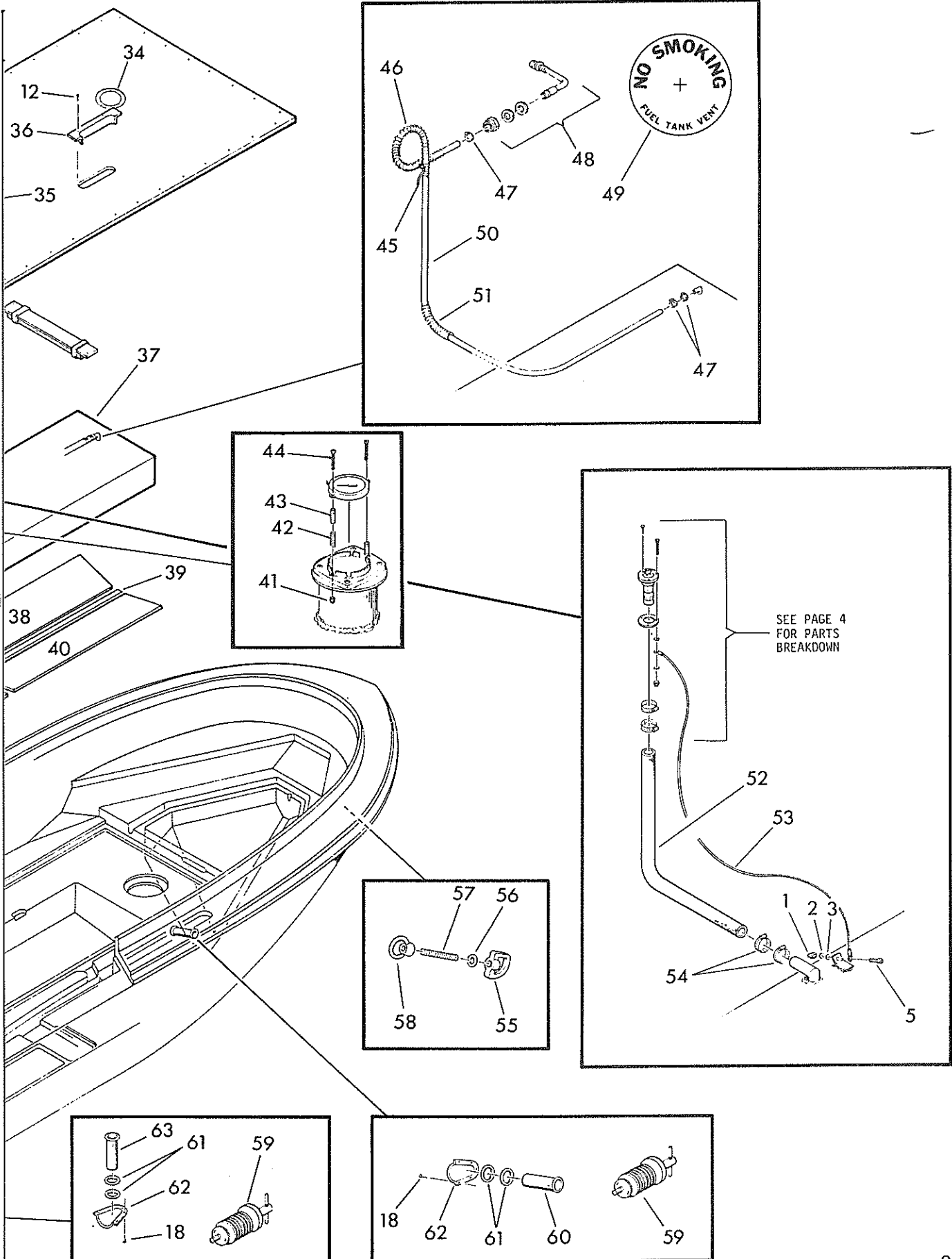
12316100 BOAT PAMPHLET  
 12448200 OWNER'S MANUAL, OUTBOARD  
 12678000 OWNER'S MANUAL, SEADRIVE  
 15078600 PACKING LIST  
 15079400 WOOD LOCATING DIAGRAM  
 32013100 OWNER'S INSTRUCTION CHECK SHEET  
 32013200 POLY ENVELOPE, 8x10  
 32015400 G.C. 290 COAST GUARD  
 REGULATION BOOKLET



NOTE:  
 FUEL MANIFOLD IS USED ON  
 OUTBOARD MODELS ONLY. SEE  
 SEADRIVE STERNECK SECTION  
 (LAST PAGE OF CATALOG) FOR  
 FUEL LINE HOSE CONNECTION.



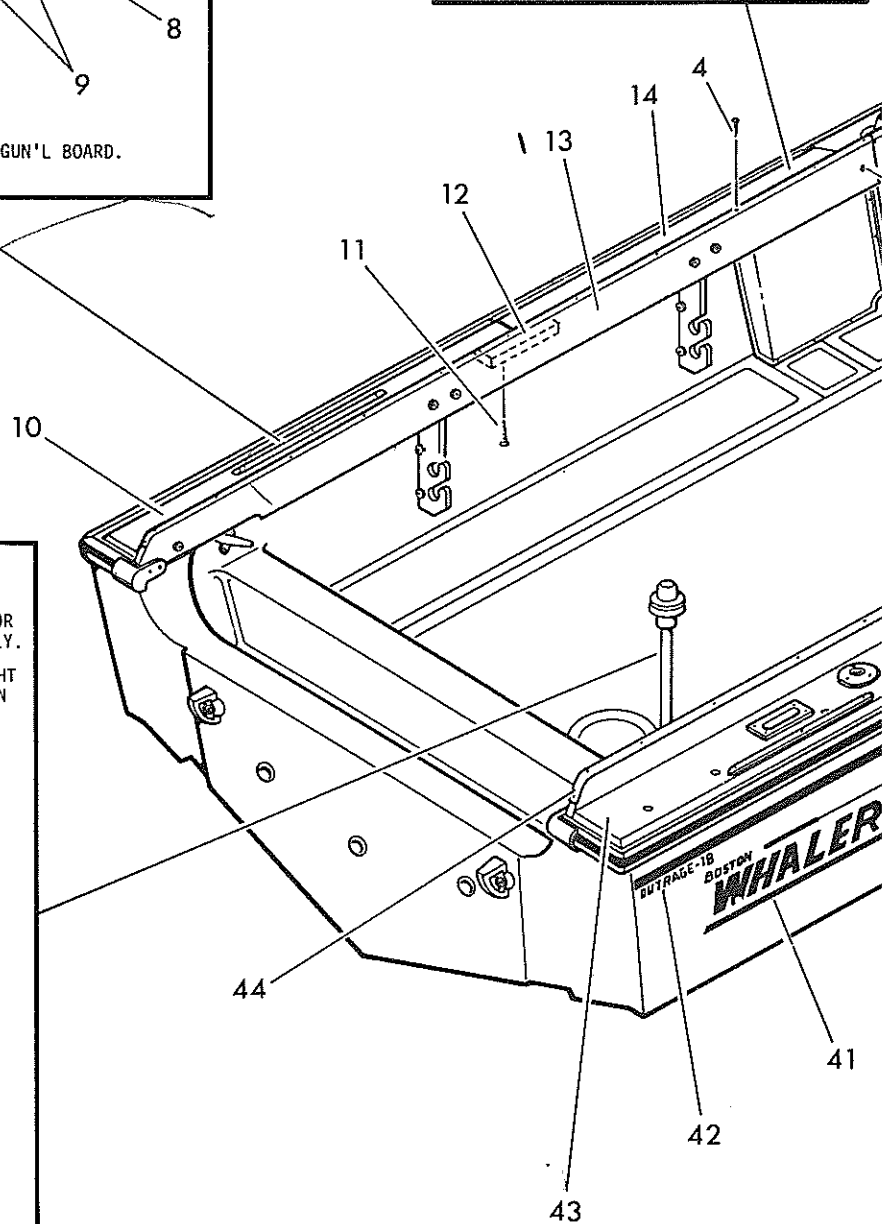
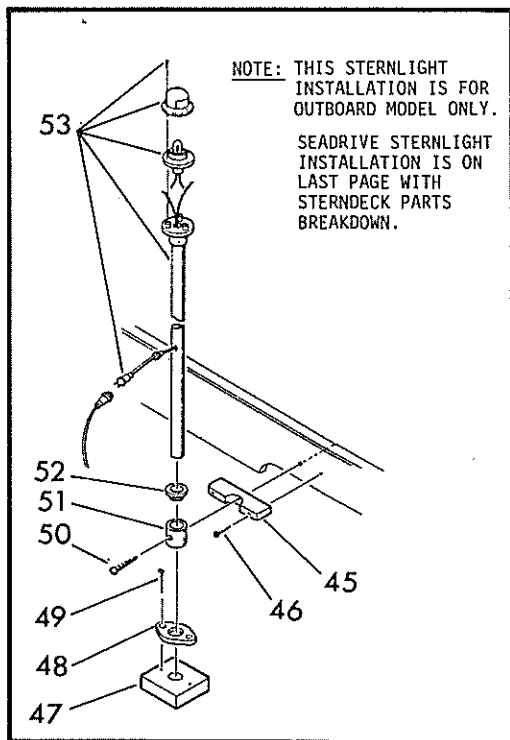
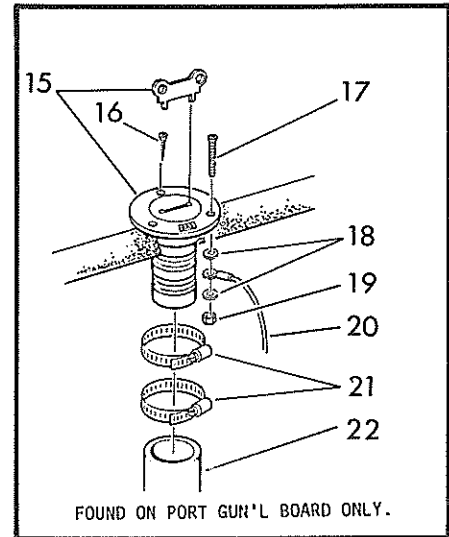
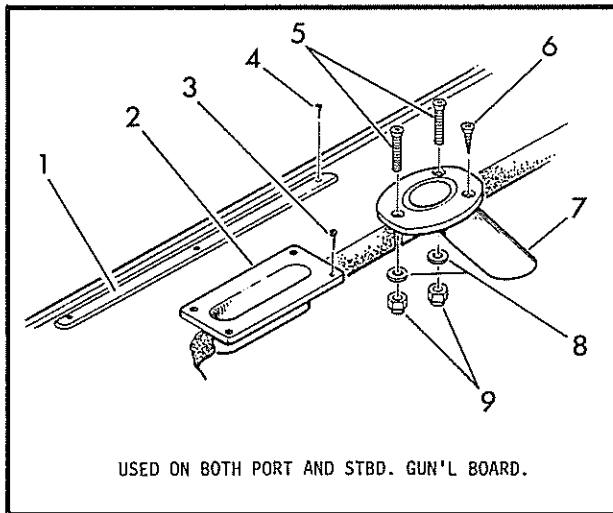
# 18' Outrage - Outboard / Seadrive



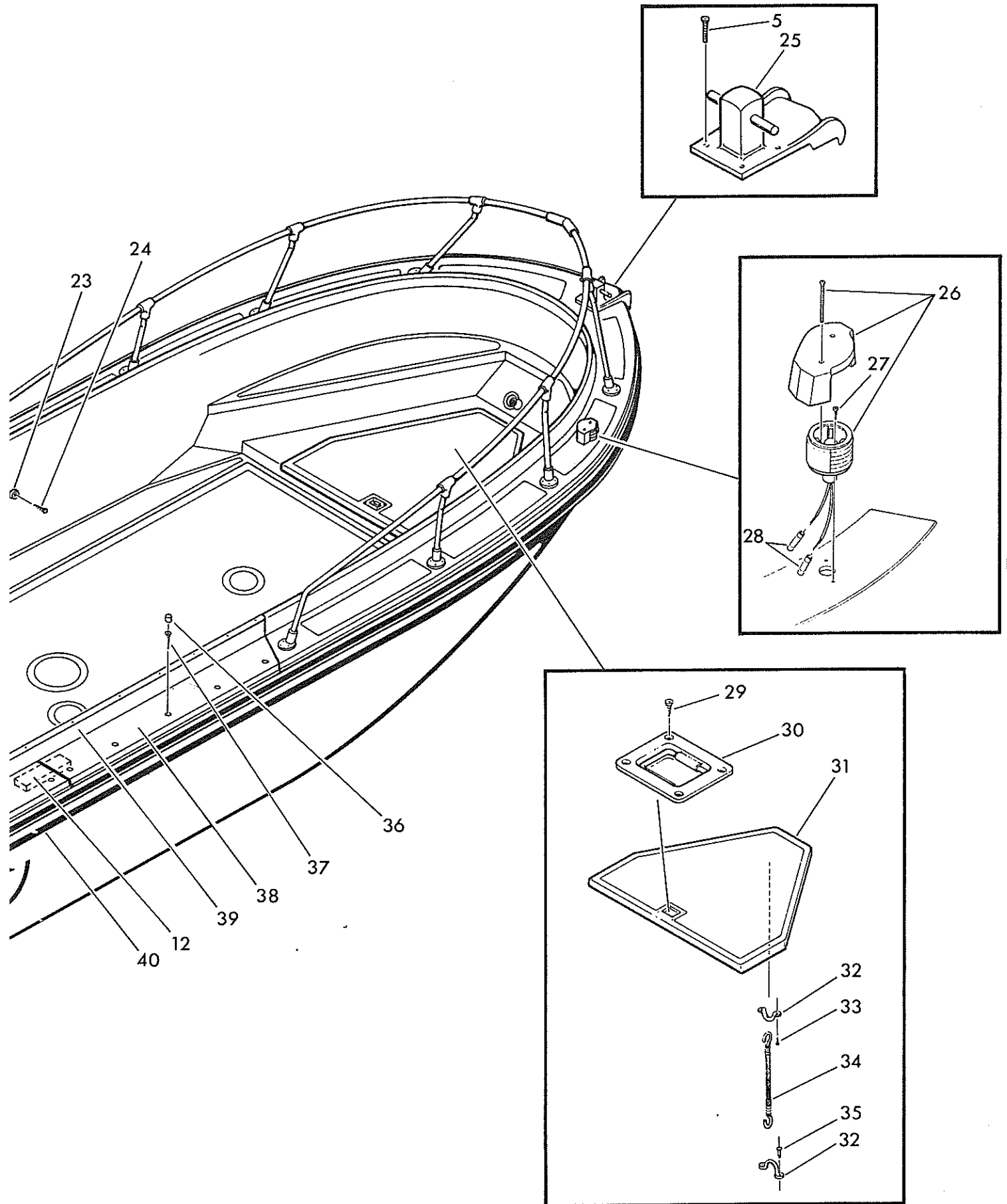


Det.	Part Number	Qty.	Description
1	12308500	2	Strake, Rub
2	12118300	2	Pipe, Hole, Hawse
3	82022500	8	Screw, #8x1/2"
4	82092700	42	Screw, #6x1/2"
5	82061100	8	Screw, 1/4-20x1-1/2"
6	82063900	2	Screw, #14x1"
7	12149000	1 pr.	Holder, Rod, Flush Mount
8	82035200	4	Washer, Flat, 1/4"
9	82150900	4	Stopnut, Elastic, #1/4-20
10	62463503	1	Aft., Gun'l Board Top Piece, Port
11	82093500	20	Screw, #8x1-1/4"
12	62463504	2	Block
13	62463502	1	Side, Gun'l Board, Port
14	62463501	1	Fwd., Gun'l Board Top Piece, Port
15	12364000	1	Fill, Fuel
16	82009900	2	Screw, #10x1"
17	82019801	1	Screw, #10-24x1-1/2"
18	82114200	2	Washer, Flat, Brass, #10x7/16"
19	82114300	1	Stopnut, Elastic, #10-24
20	12158800	1	Wire, Ground, 108"
21	12126200	2	Clamp, Hose, Fill
22	43014200	1	Hose, Fill, 42"
23	82002800	4	Washer, Finish, #10
24	82067800	4	Screw, #10x1-1/2"
25	12460900	1	Bitt, Bow
26	12302001	1	Light, Side, Port
	12302002	1	Light, Side, Stbd.
27	82009800	4	Screw, #8x5/8" (2 per side light)
28	12004200	4	Splice, Terminal, Blue (2 per side light)
29	82122200	4	Screw, #8x1/2"
30	12086100	1	Handle, Flush
31	12341600	1	Cover, Locker, Anchor
32	12065800	2	Strap, Eye
33	82183200	2	Screw, #8x1"
34	12348300	1	Cord, Shock
35	82003700	2	Rivet, Pop, 3/16x1/2"
36	62158200	20	Bung, Teak (10 per Gun'l Board)
37	82312600	20	Screw, #10x1-1/2" (10 per Gun'l Board)
38	62463601	1	Fwd., Gun'l Board Top Piece, Stbd.
39	62463602	1	Side, Gun'l Board, Stbd.
40	43026700	32 ft	Tape, Striping, 1"
41	12308300	1 set	Decal, Logo, 28"
42	12454300	1 set	Decal, Outrage 18'
43	62463603	1	Aft, Gun'l Board Top Piece, Stbd.
44	12299100	2	Rail, Rub, Stainless Steel
45	62310700	1	Block, Support, Sternlight
46	82312600	2	Screw, #10x1-1/2"
47	62340100	1	Block, Base, Sternlight
48	12298300	1	Escutcheon, Sternlight
49	82002400	2	Screw, #10x2"
50	82063900	1	Screw, #14x1"
51	12308800	1	Ring, Sternlight

Det.	Part Number	Qty.	Description
52	12308600	1	Bushing, Snap
53	12568300	1	Dome Light Fixture and Post Assembly (to order Dome and Light Fixture only, use part number 12233600).
	ASSEMBLIES:	15077401	GUN'L BOARD PORT
		15077500	GUN'L BOARD STBD.
			(above assemblies include; Rod Holder, Hawse Hole Pipe, Rub Strake and attaching hardware).



# 18' Outrage - Outboard / Seadrive



Det.	Part Number	Qty.	Description
	15078400		Storage Rod Holder Assembly. (includes parts 1-8).
1	82114300	12	Stopnut, Elastic, #10-24
2	12140200	8	Bracket, Angle
3	82019801	12	Screw, #10-24x1-1/2"
4	82002800	22	Washer, Finish, #10
5	82002400	14	Screw, #10x2"
6	62005900	4	Cleat
7	82009600	8	Screw, #10x1-1/2"
8	62463300	4	Holder, Rod, Storage
9	62342500	2	Cleat, Cover, Side
10	22463100	1	Cover, Hose, Fuel, Port
	22463200	1	Cover, Wire, Stbd.
11	43026800	26"	Trim, (13" each Port and Stbd.)
12	82121200	14	Washer, Finish, #8 (7 each Port and Stbd.)
13	82161100	14	Screw, #6x1" (7 each Port and Stbd.)
14	12162000	2	Label, Fuel Tank, No Drill
15	12161900	2	Label, Vent Hose, No Drill
16	12214600	1	Label, Fuel Warning
17	72309901	1	Section, Main, Port
18	82020700	38	Screw, #10-24x1/2"
19	72124100	6	Tee, Rail, 60 Degree
20	72306300	1	Form, Bow
21	72309903	2	Stanchion, Forward
22	72309904	2	Stanchion, Middle
23	72039905	2	Stanchion, Aft.
24	43001100	1	Cord, Zip (2 strand), 44 ft.
25	72039902	1	Section, Main, Stbd.
26	12453700	1	Plate, Capacity, Outboard
	12715900	1	Plate, Capacity, Seadrive
27	82063900	24	Screw, #14x1"
28	72199200	8	Base, Rail, 60 Degree
29	12396600	1	Vinyl, Flex, Black
30	82136100	84	Rivet, Pop, 3/16x5/8"
31	12396500	2	Vinyl, Rigid, Moonglow
32	12470100	1	Label, In Line Fuel Filter
33	12462200	1	Label, Twin Cable Steering
34	12017800	2	Nut, Eye, Chrome, 1/2"
35	12255002	2	Stud, 4"
36	12255000	2	Head, Bow and Ski Eye
37	82009900	4	Screw, #10x1"
38	12329200	1	End Cap, Port
	12329300	1	End Cap, Stbd.
39	82019700	2	Screw, #10x2-1/2" (1 each Port and Stbd.)
40	82109300	8	Screw, #14x1-1/2"
41	12090500	2	Cleat, Springline (1 each Port and Stbd.)
42	82065700	4	Rivet, Pop, 1/8x1/4"

**DO NOT DRILL**  
Deeper than 1" within the area of this cover  
(Fuel tank beneath)

**NO DRILL**  
(Vent hose beneath this cover)

**WARNING**

LEAKING FUEL IS A FIRE AND EXPLOSION HAZARD. INSPECT SYSTEM REGULARLY. EXAMINE FUEL TANKS FOR LEAKS OR CORROSION AT LEAST ANNUALLY.

Installation of an in-line fuel filter as recommended by the manufacturer of your outboard motor is advised.  
12470100

**BOSTON WHALER**

This boat is set up for equal length twin cable steering which will service the following outboard engines:  
Single OMC using their parallel entry connection kit.  
Dual OMC using their parallel entry connection kit and our tiebar kit part no. 15-0416-00.

Caution! — do not install dual OMC engines prior to receiving our tiebar kit.

Single MERCURY using their single engine twin cable kit.  
Dual MERCURY requires one of the cables to be replaced with one 2.5 feet longer and their dual engine, twin cable, compression-tension connection kit (includes tiebar).  
Engines must be mounted 29 3/4" apart center to center which will require extra length MERCURY components on the tiebar (refer to the compression-tension kit instructions).

12482200

U.S. COAST GUARD

**MAXIMUM CAPACITIES**

**7 PERSONS OR 970 LBS**

1925 LBS. PERSONS, MOTOR, GEAR

150 H. P. MOTOR

THIS BOAT COMPLIES WITH U.S. COAST GUARD SAFETY STANDARDS IN EFFECT ON THE DATE OF CERTIFICATION

MANUFACTURER: **BOSTON WHALER INC.**  
ROCKLAND, MASS.

MODEL: **18'**

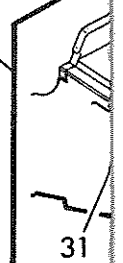
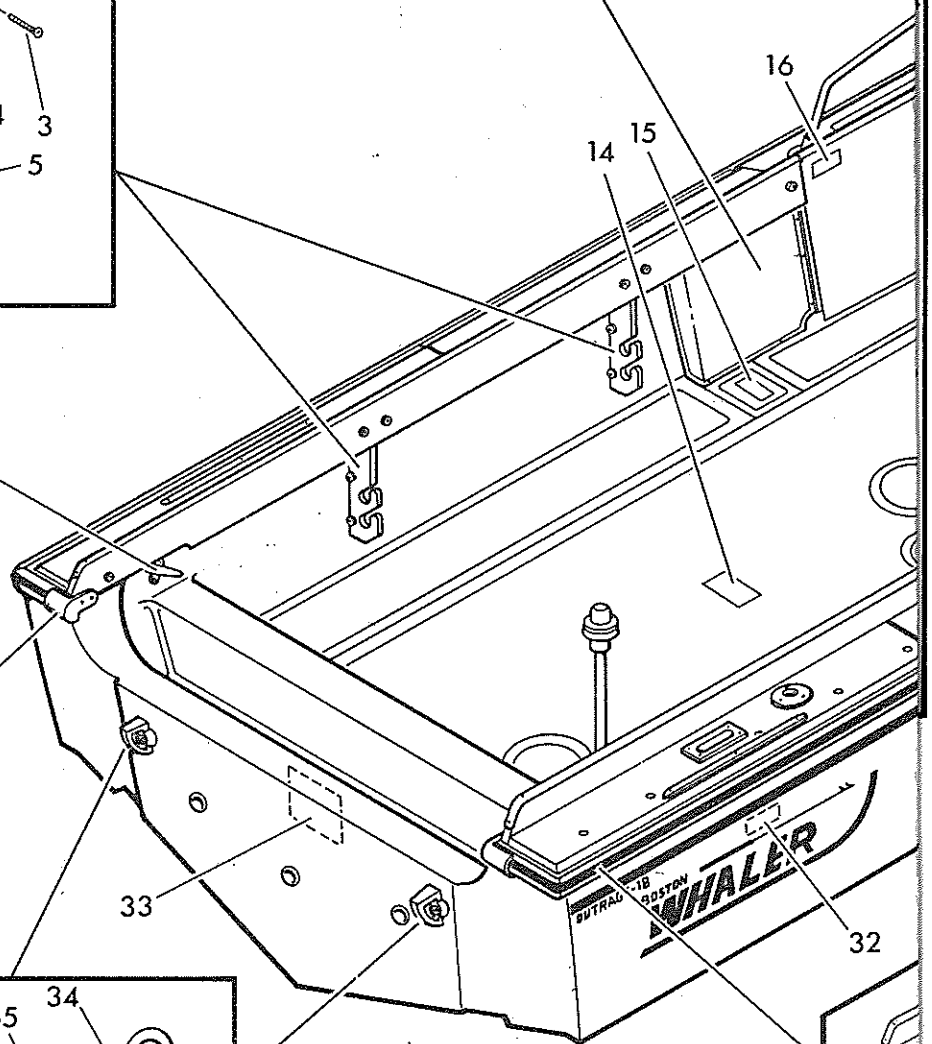
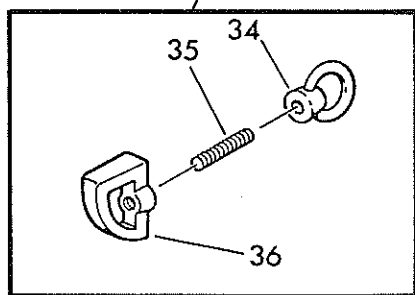
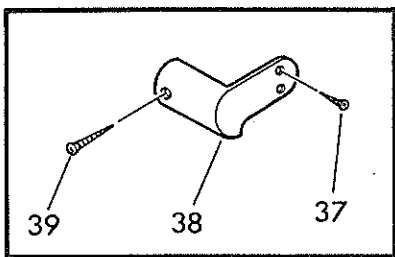
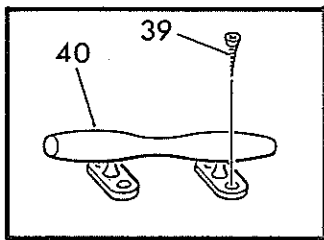
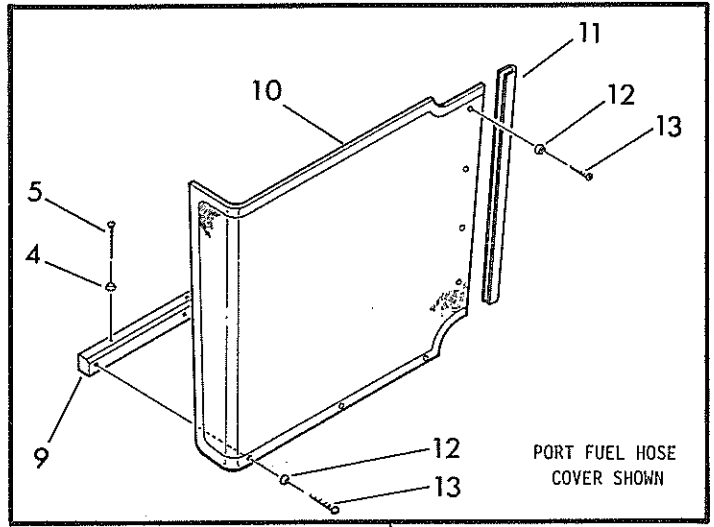
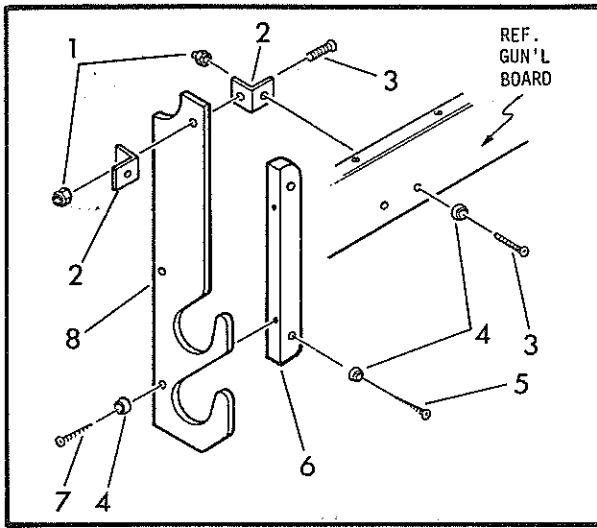
DESIGN COMPLIANCE WITH BIA REQUIREMENTS BELOW IS VERIFIED. MFR. RESPONSIBLE FOR PRODUCTION CONTROL.

LOAD AND H.P. CAPACITY • LEVEL FLOTATION  
NAVIGATION LIGHTS • STEERING • ELECTRICAL SYSTEMS  
COMPARTMENT VENTILATION • FUEL SYSTEM

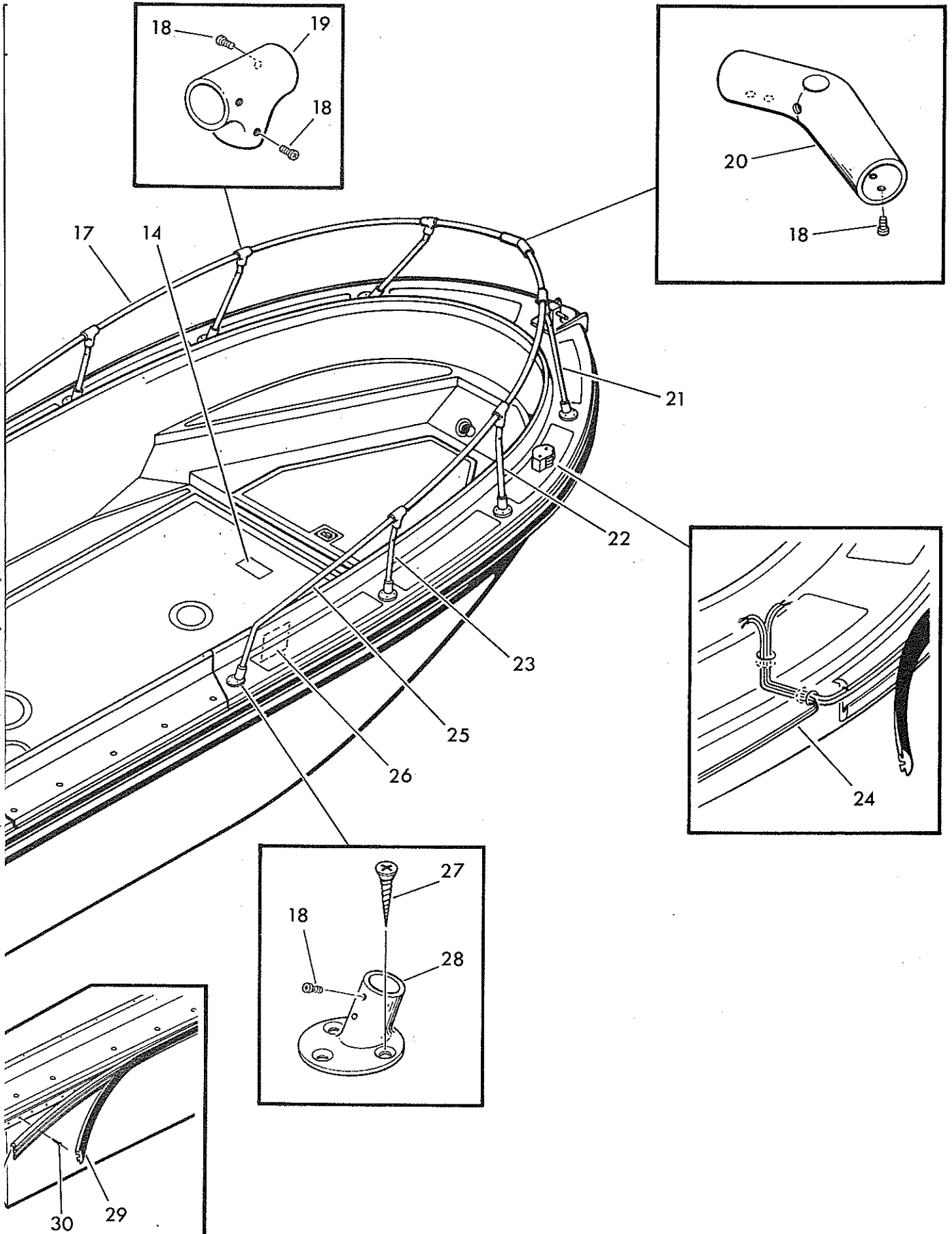
BOATING INDUSTRY ASSOCIATIONS





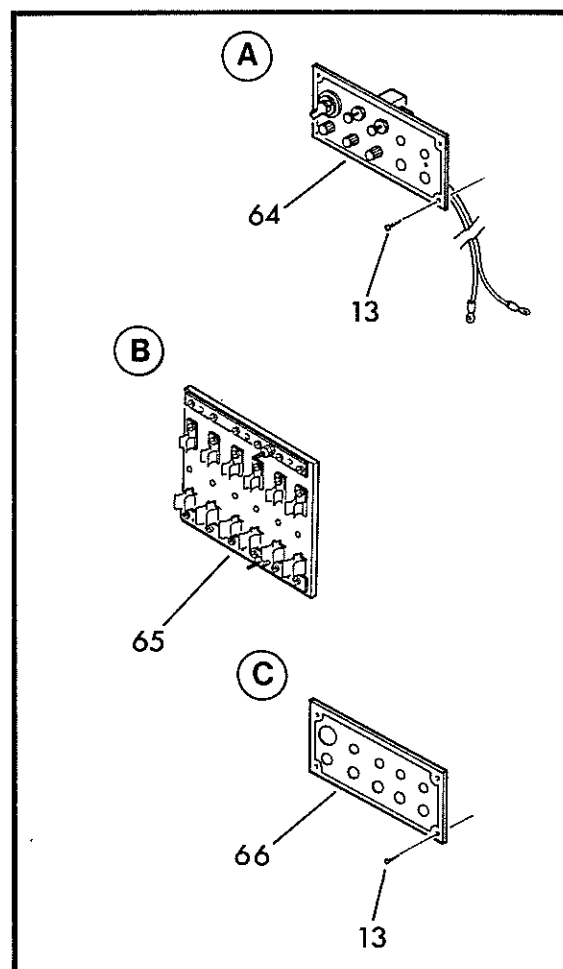
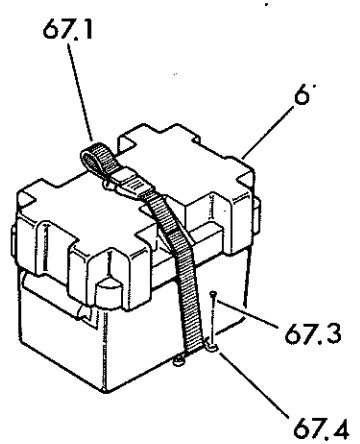
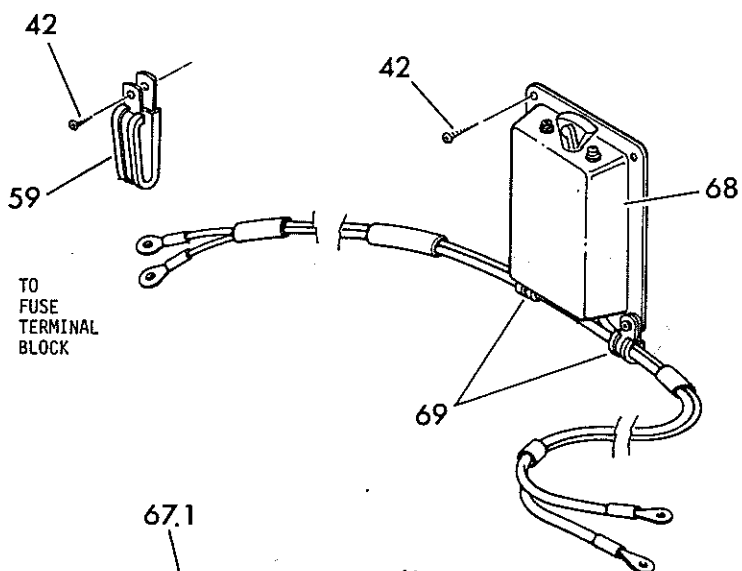
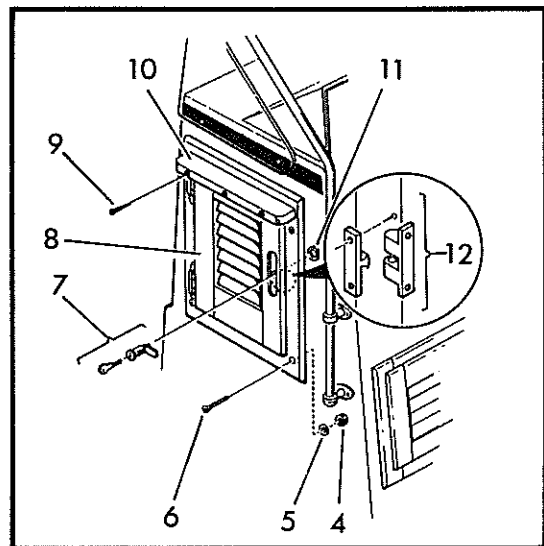
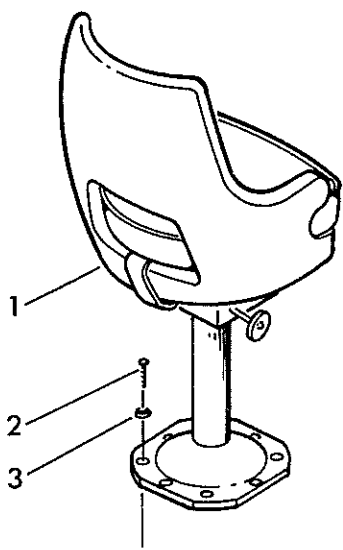


# 18' Outrage - Outboard / Seadrive



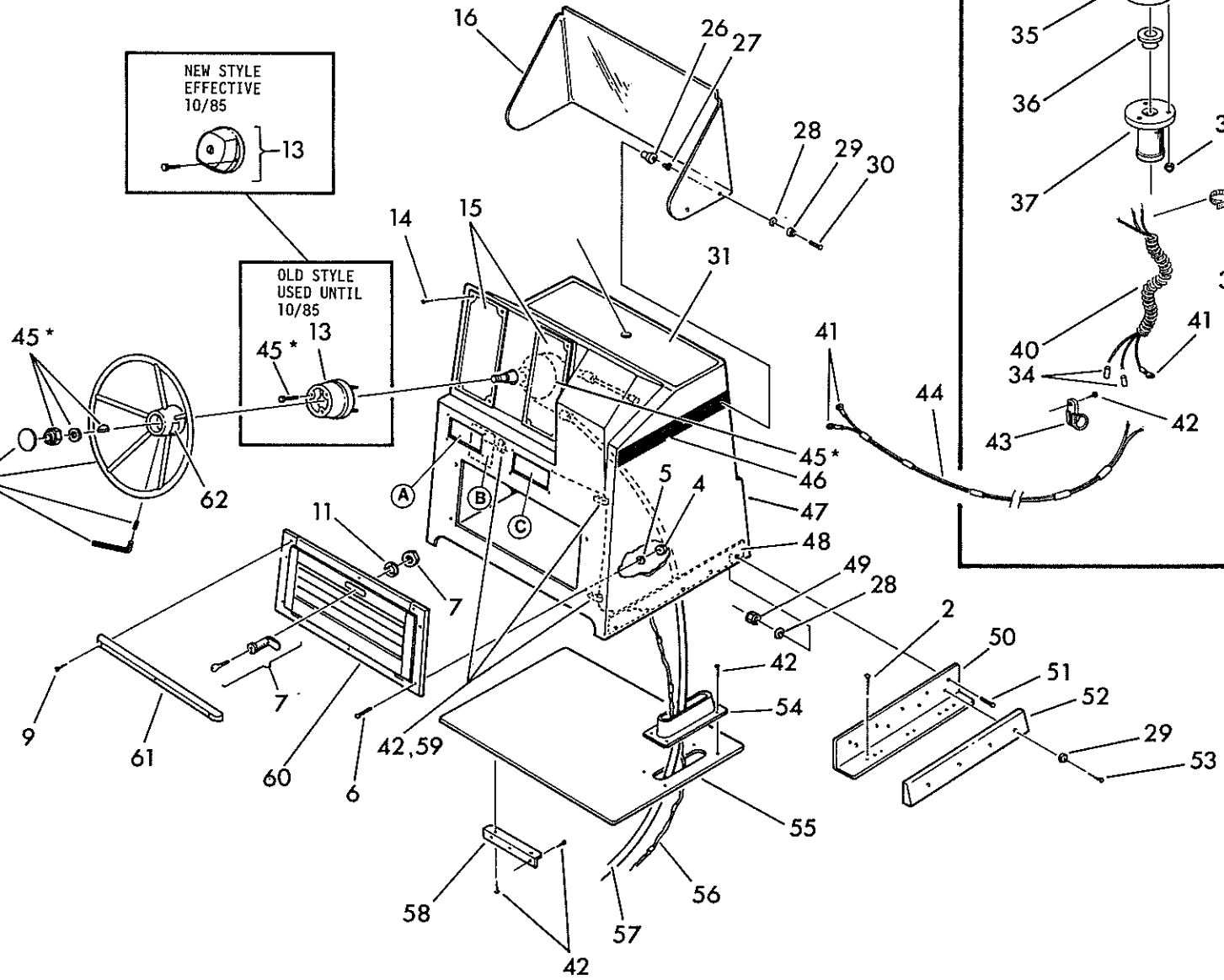
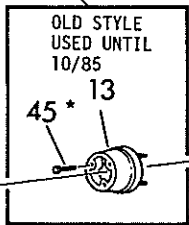
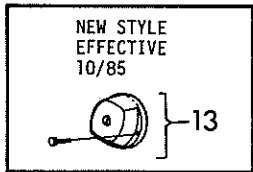
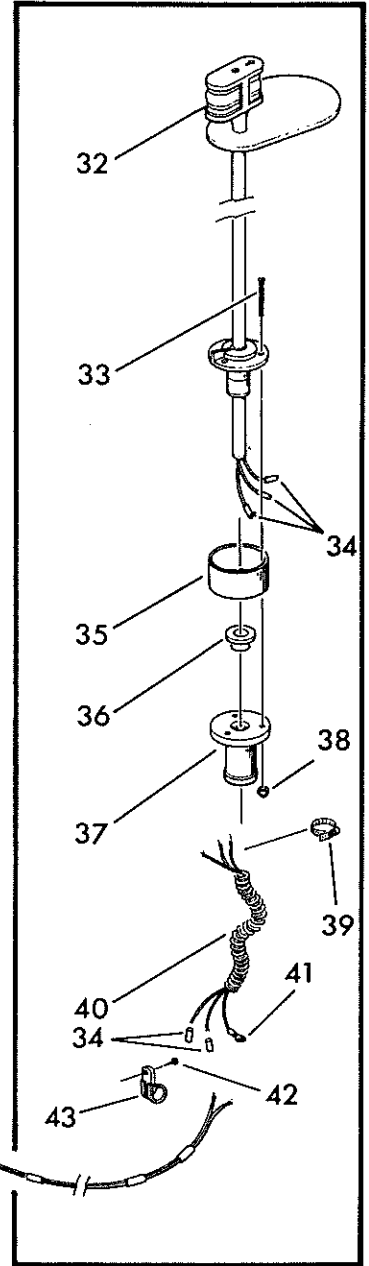
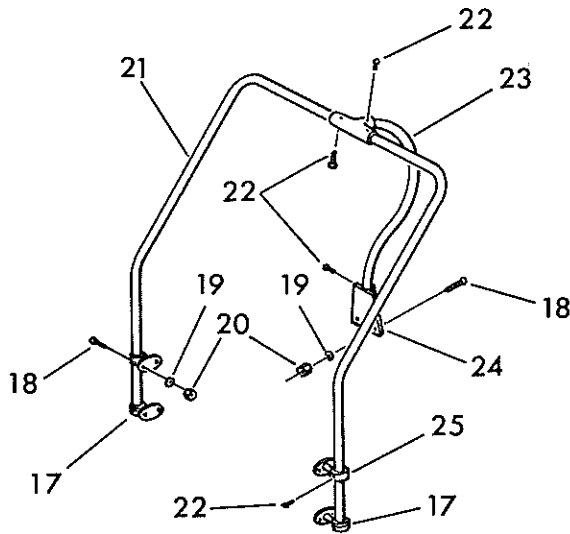
Det.	Part Number	Qty.	Description
1	12308700	2	Seat, Swivel
2	82109300	32	Screw, #14x1-1/2" (8 used on each seat)
3	82004500	16	Washer, Finish, #12 (8 used on each seat)
4	82145300	10	Stopnut, Elastic, #6-32
5	82061500	10	Washer, Flat, #6
6	82145200	10	Screw, #6-32x1-1/4"
7	12290700	1 pr.	Lock (includes attaching nut)
8	62272800	1	Door, Vertical
9	82183200	6	Screw, #8x1"
10	62272801	1	Gutter, Door
11	12290800	2	Washer, Anchor, Door Lock
12	12517600	2	Latch, Door, Brass (includes attaching hardware)
13	12348900	1	Bezel, 90 Degree
14	82092700	16	Screw, #6x1/2"
15	12344000	2	Panel, Instrument
16	12266000	1	Windshield, Console
17	72082704	2	Support, Stanchion, Closed End
18	82019801	10	Screw, #10-24x1-1/2"
19	82091700	10	Washer, Flat
20	82114300	10	Stopnut, Elastic, Brass, #10-24
21	72266401	1	Rail, Console (includes (1) Large Rail Tee #72040507).
22	82020700	10	Screw, #10-24x1/2"
23	72146202	1	Stanchion, Forward
24	72040506	1	Base, Rail
25	72082703	2	Support, Stanchion
26	82138500	7	Nut, Well, #G10-32
27	12139300	7	Bushing, Nylon
28	82035200	7	Washer, Flat, #1/4
29	82002800	15	Washer, Finish, #10
30	82017600	7	Screw, #10-32x1-1/4"
31	12542700	1	Cover, Dash
32	12330700	1	Light, Masthead, International
33	82332100	3	Screw, #8-32x3"
34	12044200	5	Splice, Terminal, Blue
35	12332400	1	Spacer, Masthead Light
36	12332200	1	Bushing, Snap
37	12332300	1	Support, Light Pole
38	82158400	3	Stopnut, Elastic, #8-32
39	12126000	1	Clamp
40	12331000	1	Cord, Power, Retractable
41	12018200	3	Terminal, Wire
42	82009800	35	Screw, #8x5/8"
43	12136700	1	Clamp, Support
44	12363600	1	Harness, Masthead Light
45	12348800	1	Helm, Dual
46	43033700	6 ft.	Tape, Striping, Black, 1-1/2"
47	22542500	1	Console
48	12552000	2	Plate, Backup
49	82150900	10	Stopnut, Elastic, #1/4-20
50	12551900	2	Angle, Mounting
51	82297100	10	Screw, #1/4-20x1-3/4"

Det.	Part Number	Qty.	Description
52	62552100	2	Strip, Trim, Console
53	82009600	8	Screw, #10x1-1/2"
54	12133800	1	Collar, Tunnel
55	62141200	1	Shelf, Console
56	12351300	1	Harness, Sternlight
57	12143502	1	Cable, Steerer, 15.5 Feet
58	12372500	4	Bracket, Shelf Support
59	12127300	6	Clip
60	62272900	1	Door, Horizontal
61	62272901	1	Gutter, Door
62	12133000	1	Label, Steering Warning
63	12083800	1	Wheel, Steering, Stainless Steel (to order packaged Stainless Steel Wheel Assembly use order number #15061200).
64	12344600	1	Panel, Switch, Port
65	12242500	1	Block, Fuse, Terminal
66	12345600	1	Panel, Switch, Stbd.
67	15042800	1	Battery Box w/Holddowns (includes parts 65.1 - 65.4)
67.1	12354000	1	Strap, Holddown
67.2	12348700	1	Battery, Box
67.3	82009900	4	Screw, #10x1"
67.4	12354100	2	Strap, Deck
68	12346100	1	Harness, Power, w/Main Circuit Breaker
69	12120600	2	Clamp, Support



# 18' Outrage - Outboard / Seadrive

Console Cover  
# 52-5517-00



\*Parts that make up Detail 45 are found in three places on this page.