

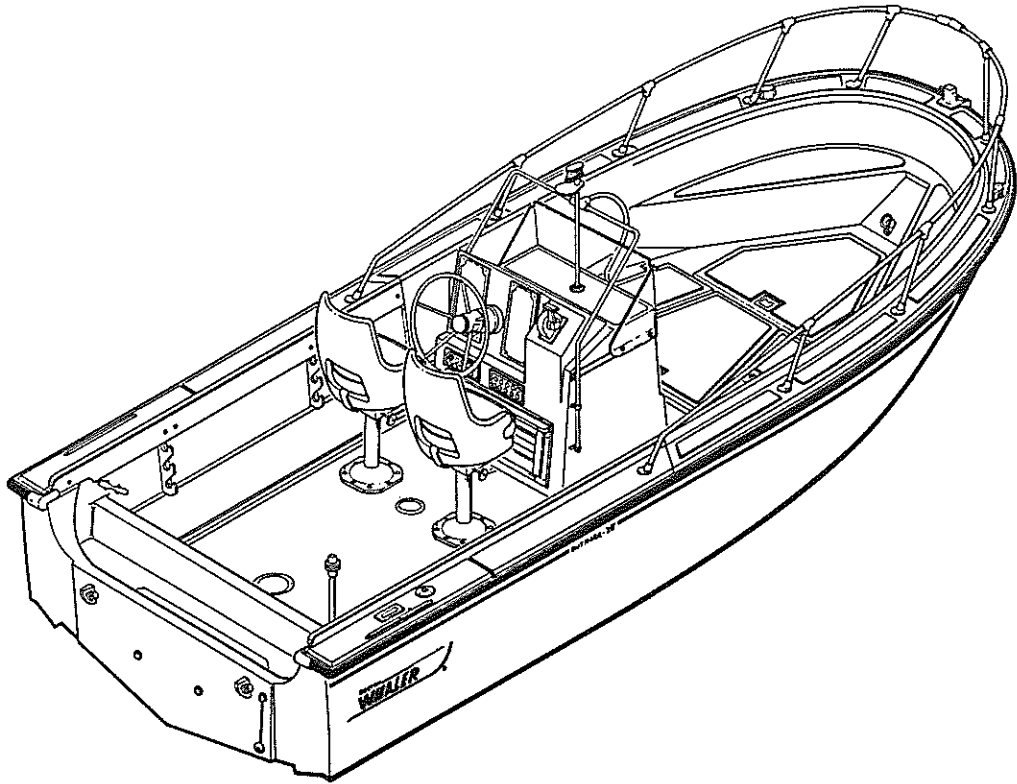
# 20' Outrage - Outboard

---

**BOSTON**  
**WHALER**

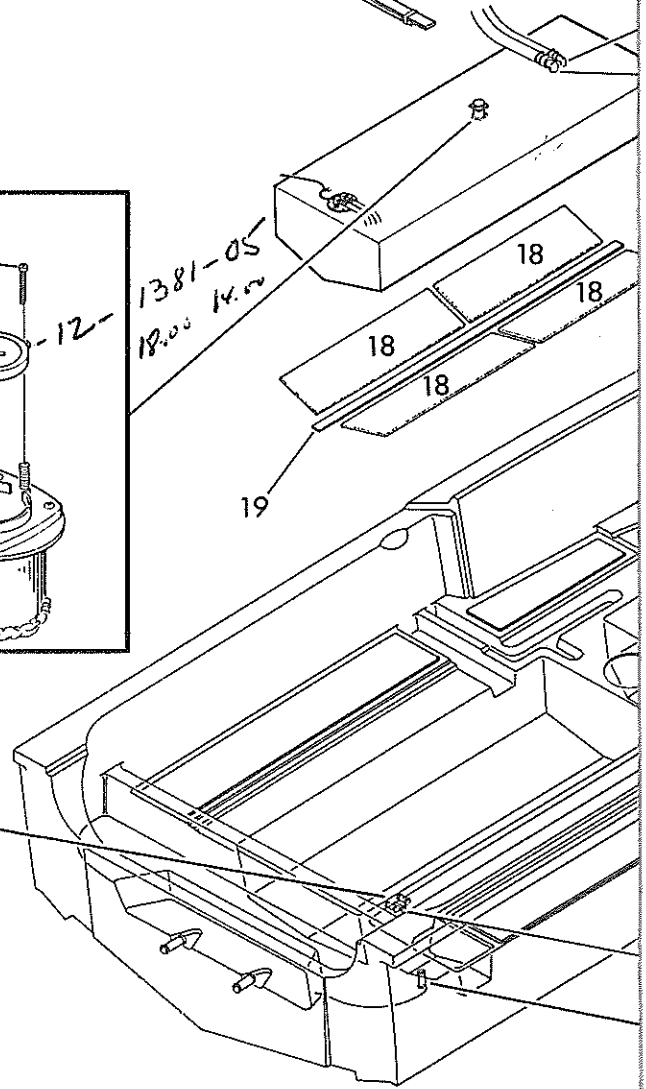
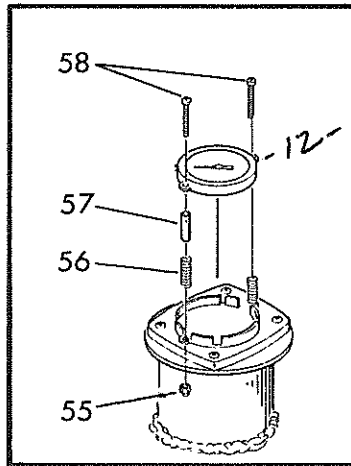
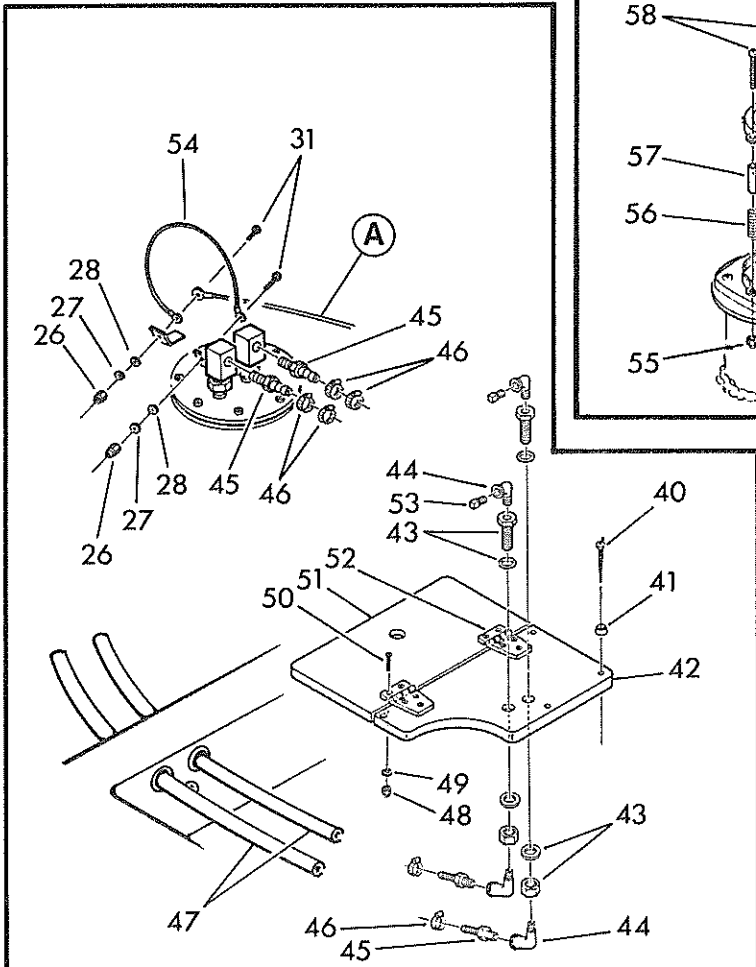
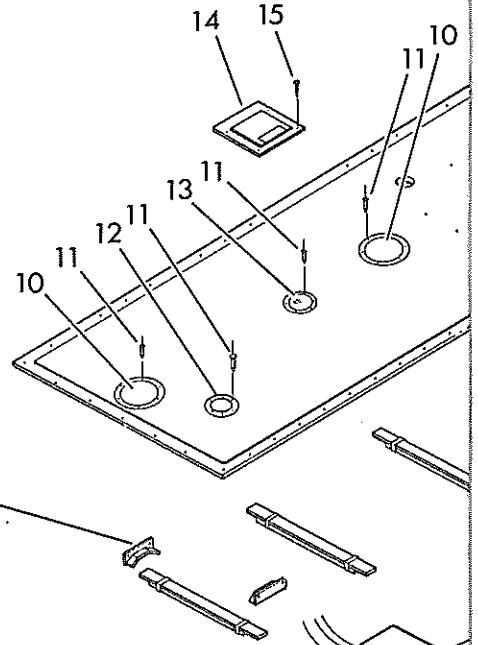
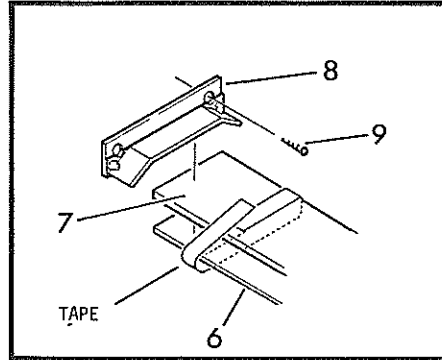
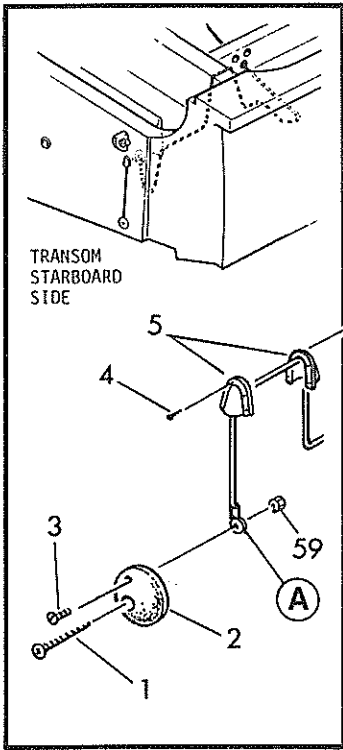


A CML Group Company since 1969.

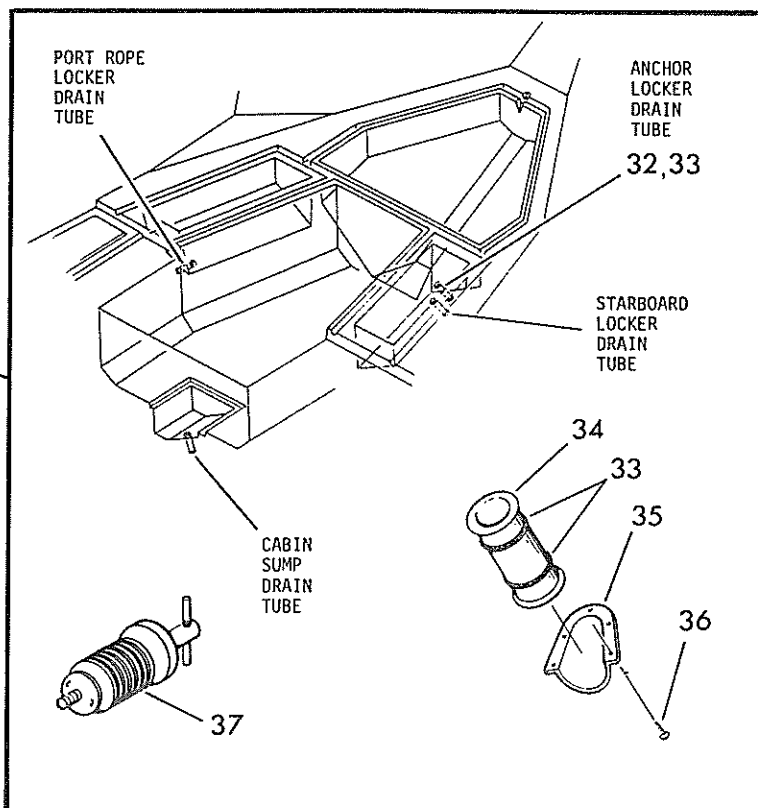
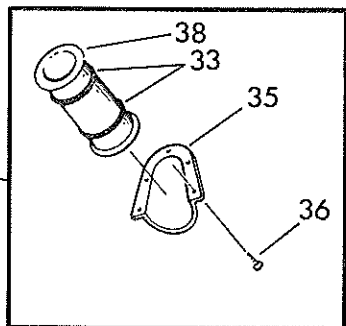
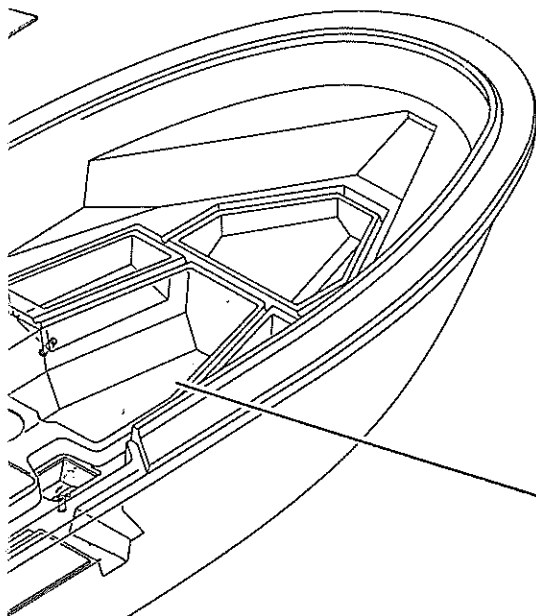
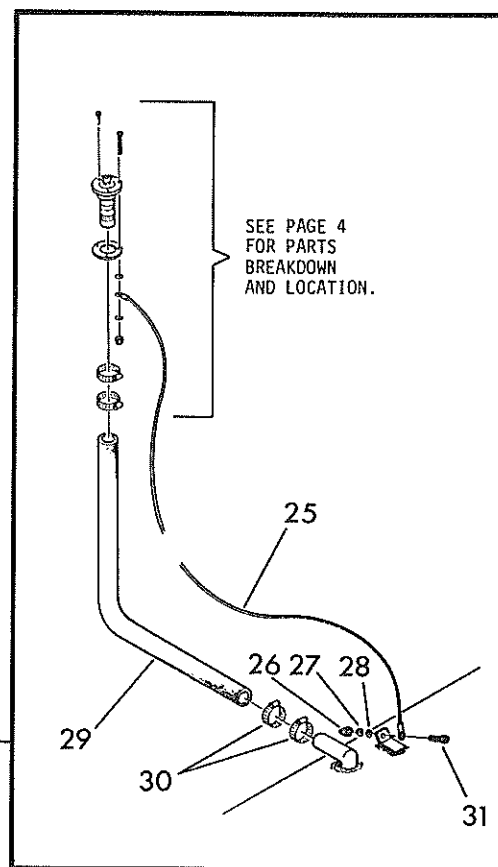
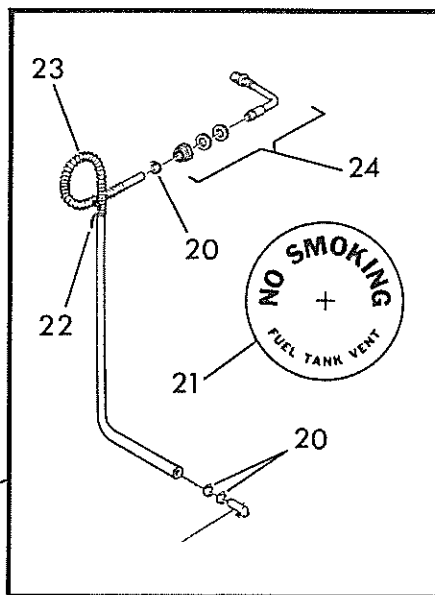
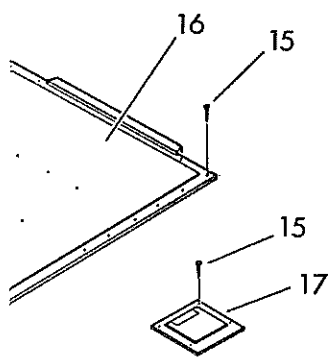


Det.	Part Number	Qty.	Description
1	82109300	1	Screw, #14x1-1/2"
2	12171800		Disc, Grounding
3	82160100	1	Screw, 10-24x1/2"
4	82068300	6	Screw, #6x1/2"
5	12117000	2	Ventilator
6	12334800	3	Strap, Fuel Tank Holddown
7	12785100	3	Strap, Holddown, Aluminum
8	12418500	6	Bracket, Holddown, Aluminum
9	82313800	12	Screw, #14x1"
10	12299500	2	Pyhi, 8"
11	82150800	24	Rivet, Pop, 3/16x3/8"
12	12372400	1	Pyhi, Opaque, 6"
13	12255200	1	Pyhi, Clear, 6"
14	22341100	1	Cover, Vent Tunnel, Port
15	82009600	47	Screw, #10x1-1/2"
16	22787200	1	Cover, Fuel Tank (includes Pyhi 10, 12 and 13 plus Pop Rivets)
17	22342600	1	Cover, Wire Tunnel, Stbd.
18	12340900	4	Pad, Fuel Tank
19	12334700	1	Strap, Fuel Tank Support
20	12126000	3	Clamp, Vent Hose
21	12162200	1	Label, No Smoking
22	12180902	1	Tyrap
23	12530000	1	Spring, Vent, 12"
24	12298900	1	Fitting, Vent
25	12334500	2	Wire, Ground
26	82016300	3	Nut, Hex, #10-24
27	82016500	3	Washer, Star, #10-EXT.
28	82016400	3	Washer, Flat, #10
29	43014200	1	Hose, Fuel Line, 54"
30	12126200	2	Clamp, Fill Hose
31	82020700	3	Screw, #10-24x1/2"
32	12152400	1	Tube, Drain, Brass, 6-3/4"
33	12008900	16	O-Ring, Neoprene
34	12012900	3	Tube, Drain, Brass, 4-7/8"
35	12160800	6	Vent, Stainless Steel
36	82009800	30	Screw, #8x5/8"
37	12018100	7	Plug, Drain
38	12543800	1	Tube, Drain, Brass, 3-3/4"
39	12294700	3	Tube, Drain, Aluminum, 3-3/4"
40	82372300	4	Screw, #10x1-3/4"
41	82002800	4	Washer, Finish, #10
42	62340302	1	Cover, Fuel Fitting
43	12127500	2	Fitting, Bulkhead
44	12209700	4	Elbow, Street, 1/4"
45	12127400	2	Barb, Male
46	12127600	6	Clamp, Hose, Fuel Line
47	43014300	2	Hose, Fuel Line, 33"
48	82158400	10	Stopnut, Elastic, Brass, #8-32
49	82062500	10	Washer, Flat, #8
50	82061600	10	Screw, #8-32x1"
51	62340301	1	Door, Finger Hole
52	12113000	1/pr.	Hinge

Det.	Part Number	Qty.	Description
53	12308900	2	Plug, Brass
54	12426000	1	Wire, Ground
55	82232800	2	Stopnut, Elastic, Brass, #4-40
56	12326200	2	Spring
57	12326300	2	Spacer
58	82326400	2	Screw, #4-40x1-3/8"
59	82114300	1	Nut, 10-24

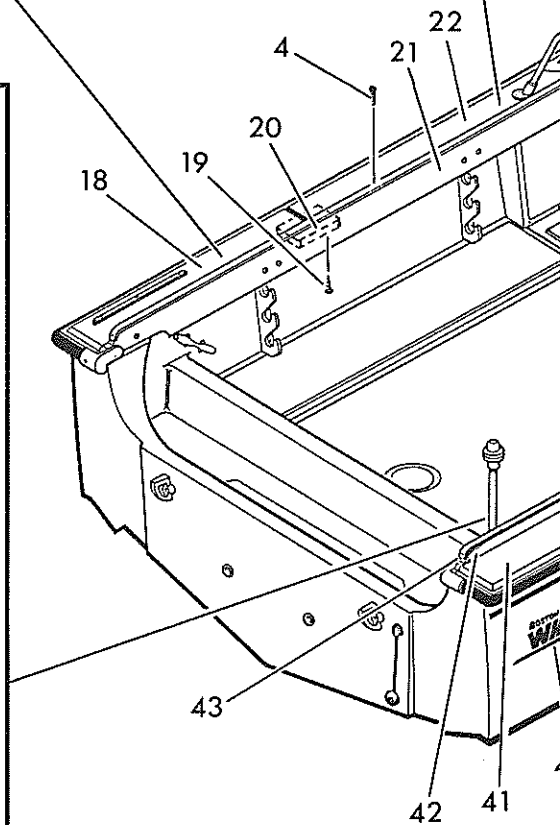
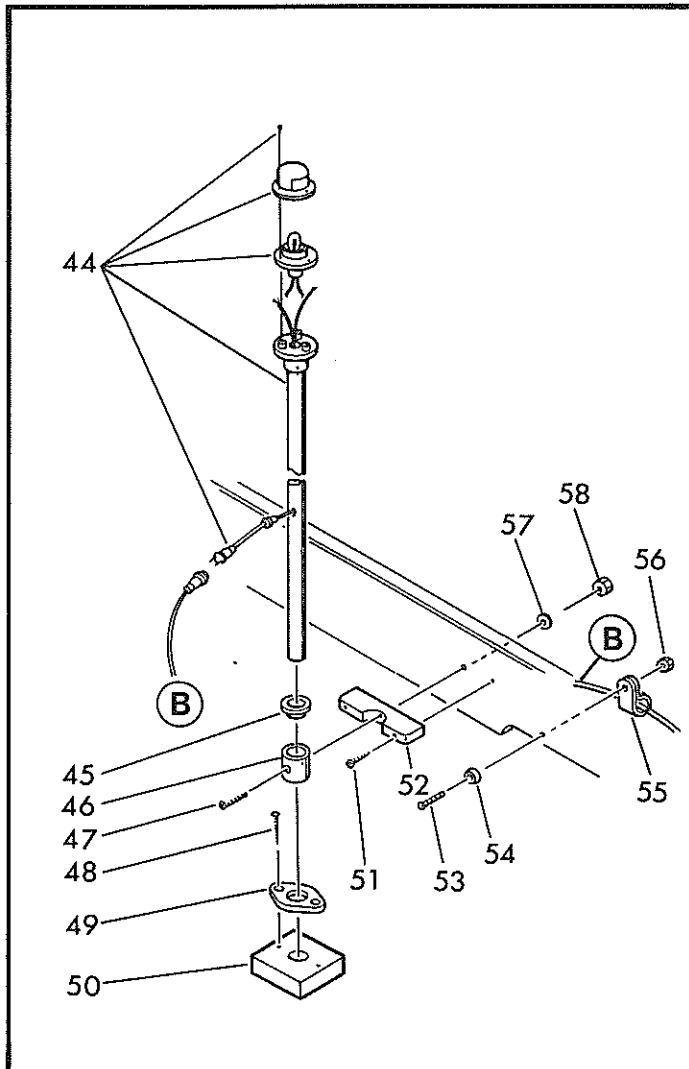
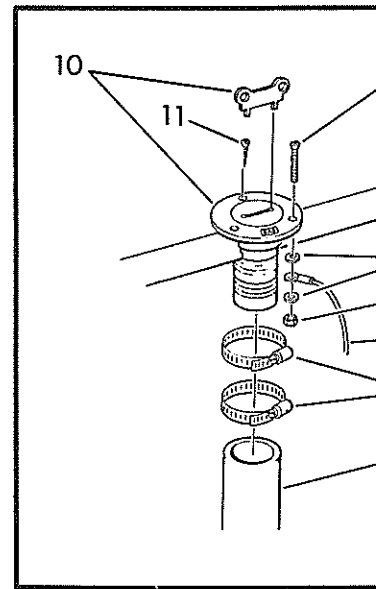
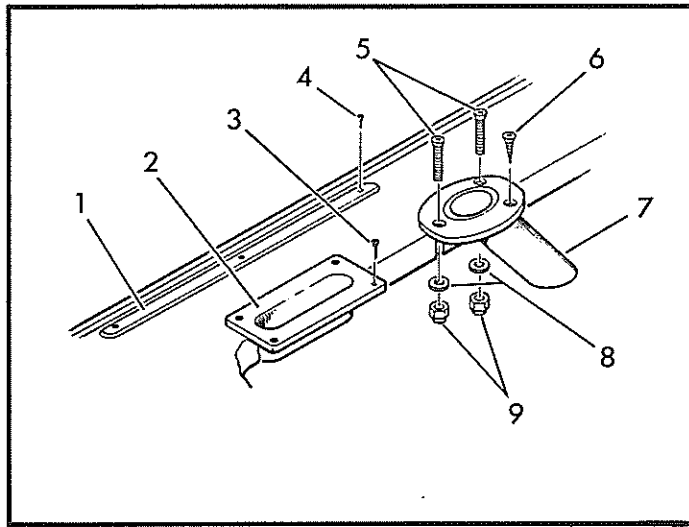


# 20' Outrage - Outboard



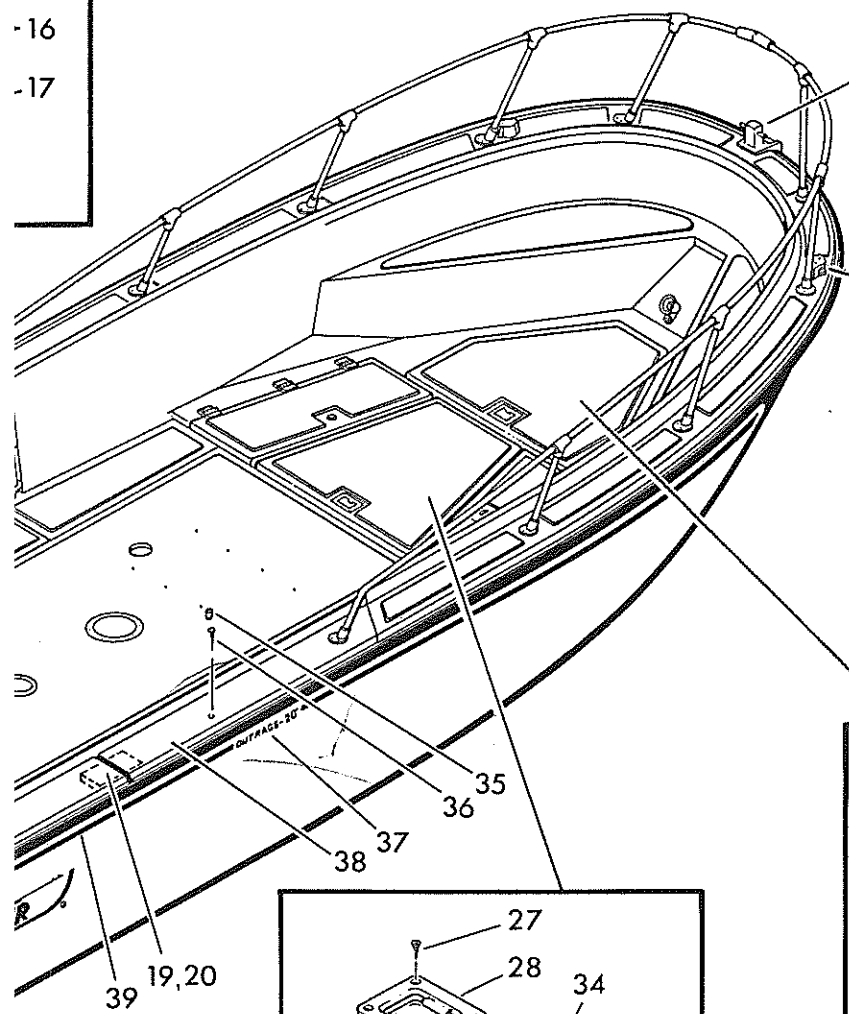
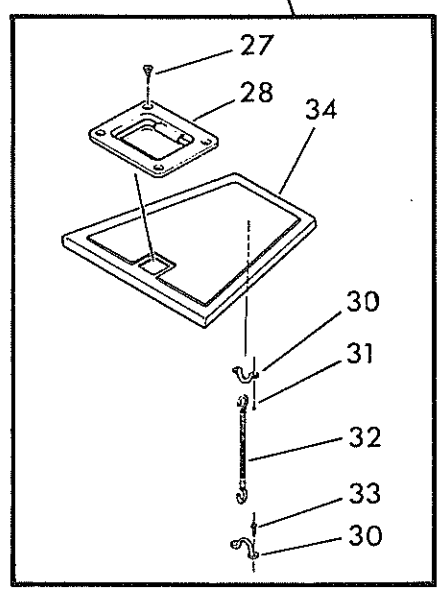
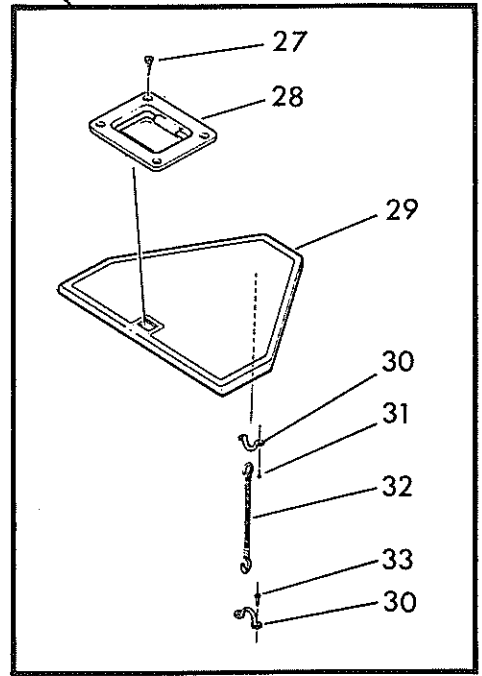
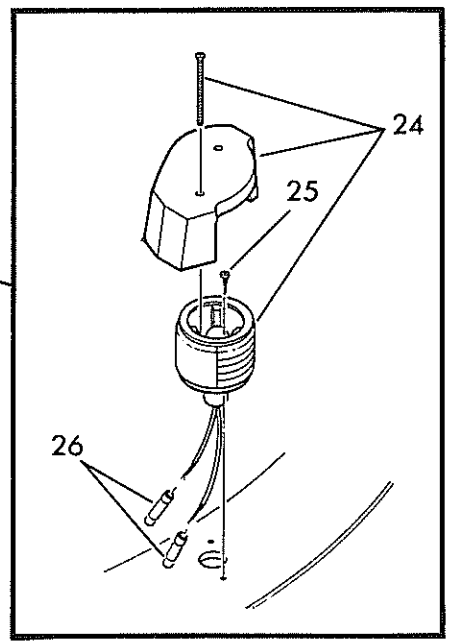
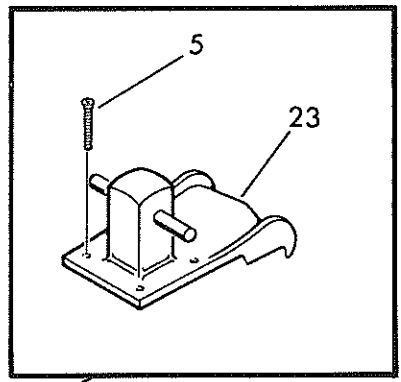
Det.	Part Number	Qty.	Description
1	12308500	2	Strake, Rub
2	12118300	2	Pipe, Hole, Hawse
3	82022500	8	Screw, #8x1/2"
4	82092700	50	Screw, #6x1/2"
5	82061100	8	Screw, 1/4-20x1-1/2"
6	82063900	2	Screw, #14x1"
7	12149000	1 pr.	Holder, Rod, Flush Mount
8	82035200	4	Washer, Flat, 1/4"
9	82150900	4	Stopnut, Elastic, #1/4-20
10	12364000	1	Fill, Fuel
11	82009900	2	Screw, #10x1"
12	82019801	1	Screw, #10-24x1-1/2"
13	82114200	2	Washer, Flat, Brass, #10x7/16"
14	82114300	1	Stopnut, Elastic, #10-24
15	12334500	1	Wire, Ground, 6 feet
16	12126200	2	Clamp, Fill Hose
17	43014300	1	Hose, Fuel Line, 66"
18	62781803	1	Aft, Gun'l Board Top Piece, Port
19	82093500	20	Screw, #8x1-1/4"
20	62463504	2	Block (one Port and one Stbd.)
21	62781802	1	Side, Gun'l Board, Port
22	62781801	1	Fwd. Gun'l Board Top Piece, Port
23	12423100	1	Bitt, Bow
24	12302001	1	Light, Side, Port
	12302002	1	Light, Side, Stbd.
25	82009800	4	Screw, #8x5/8" (2 per side light)
26	12044200	4	Splice, Terminal, Blue
27	82122200	8	Screw, #8x1"
28	12086100	2	Handle, Flush
29	22341600	1	Cover, Anchor Locker
30	12065800	4	Strap, Eye
31	82183200	4	Screw, #8x1"
32	12348300	2	Cord, Shock
33	82033700	4	Rivet, Pop, 3/16x1/2"
34	22341700	1	Cover, Bow Locker, Storage
35	62158200	22	Bung, Teak (11 per Gun'l Board)
36	82372300	22	Screw, #10x1-3/4" (11 per Gun'l Board)
37	12308100	1 set	Decal, Outrage-20'
38	62781901	1	Fwd. Gun'l Board Top Piece, Stbd.
39	43026700	34 ft.	Tape, Striping, 1"
40	12308300	1 set	Decal, Boston Whaler Logo, 28"
41	62781903	1	Aft., Gun'l Board Top Piece, Stbd.
42	62781902	1	Side, Gun'l Board, Stbd.
43	12788100	2	Strake, Rub
44	12568300	1	Dome, Light Fixture and Post Assembly (to order Dome and Light Fixture only, use part number 12233600)
45	12308600	1	Bushing, Snap
46	12308800	1	Ring, Stern Light
47	82065400	1	Screw, #1/4-20x2"
48	82009600	2	Screw, #10x1-1/2"
49	12298300	1	Escutcheon, Sternlight
50	62340100	1	Block, Base, Sternlight
51	82183200	2	Screw, #8x1"

Det.	Part Number	Qty.	Description
52	62310700	1	Block, Support, Sternlight
53	82079100	1	Screw, #8-32x1-1/4"
54	82002800	1	Washer, Finish, #10
55	12136700	1	Clamp, Support
56	82158400	1	Stopnut, Elastic, Brass, #8-32
57	82035200	1	Washer, Flat, #1/4"
58	82150900	1	Stopnut, Elastic, #1/4-20



# 20' Outrage - Outboard

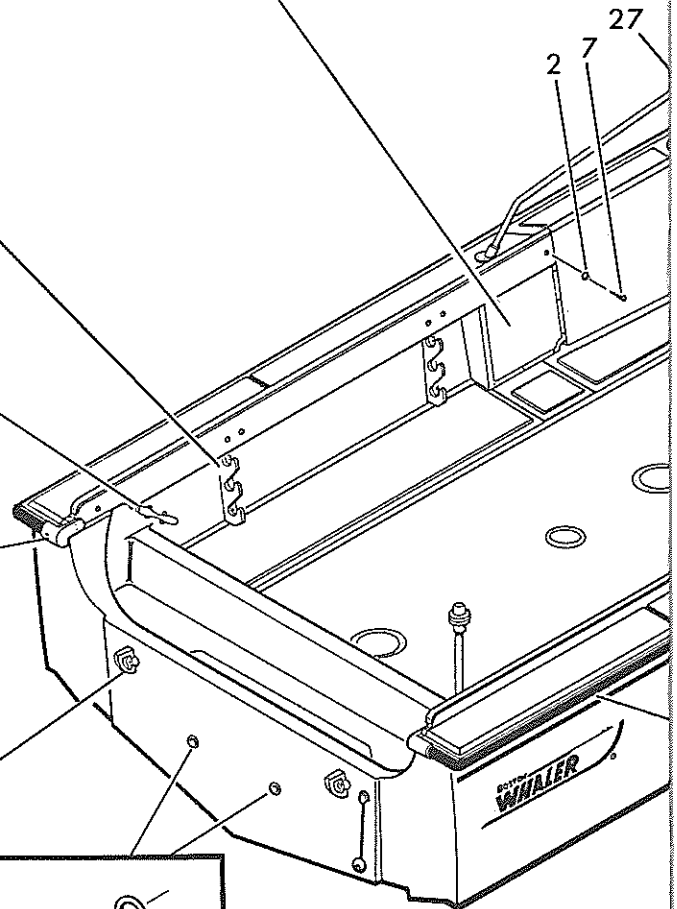
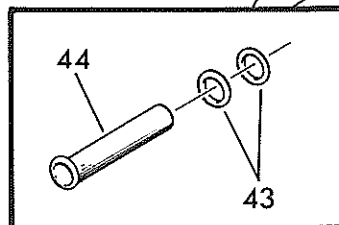
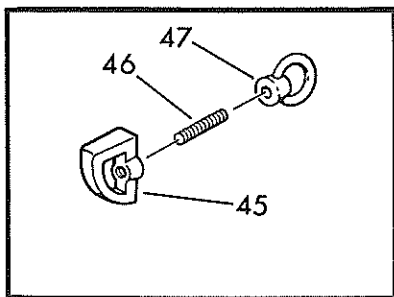
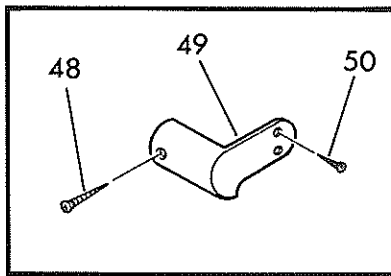
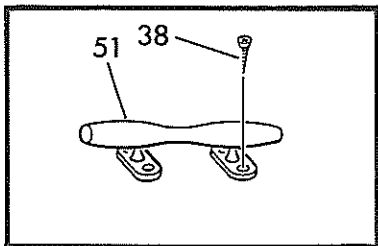
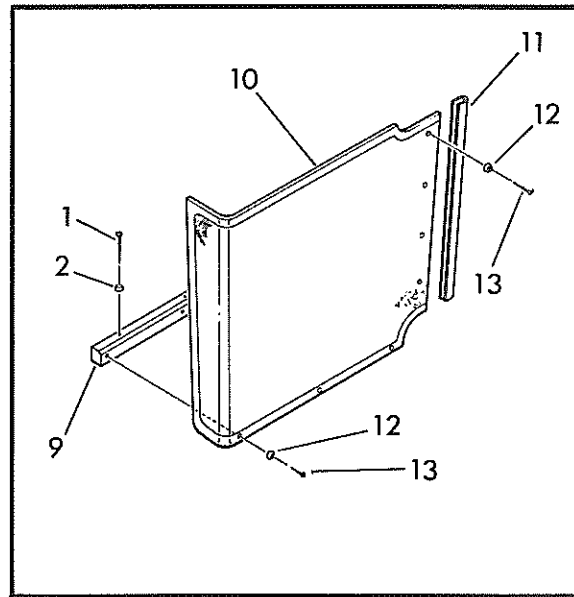
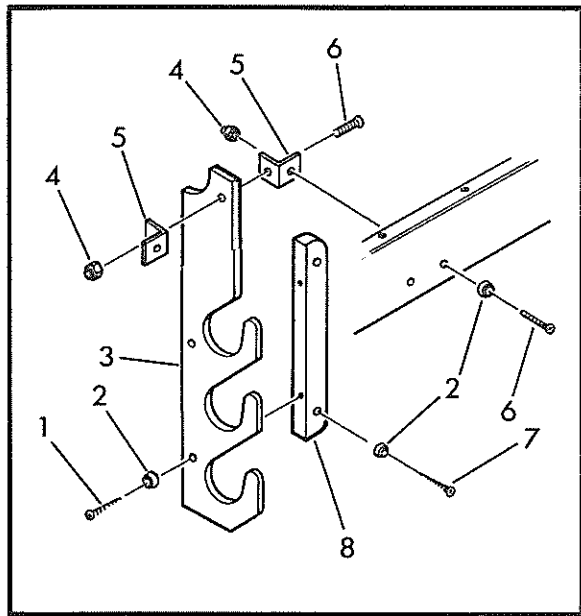
- 2
- 13
- 14
- 15
- 16
- 17



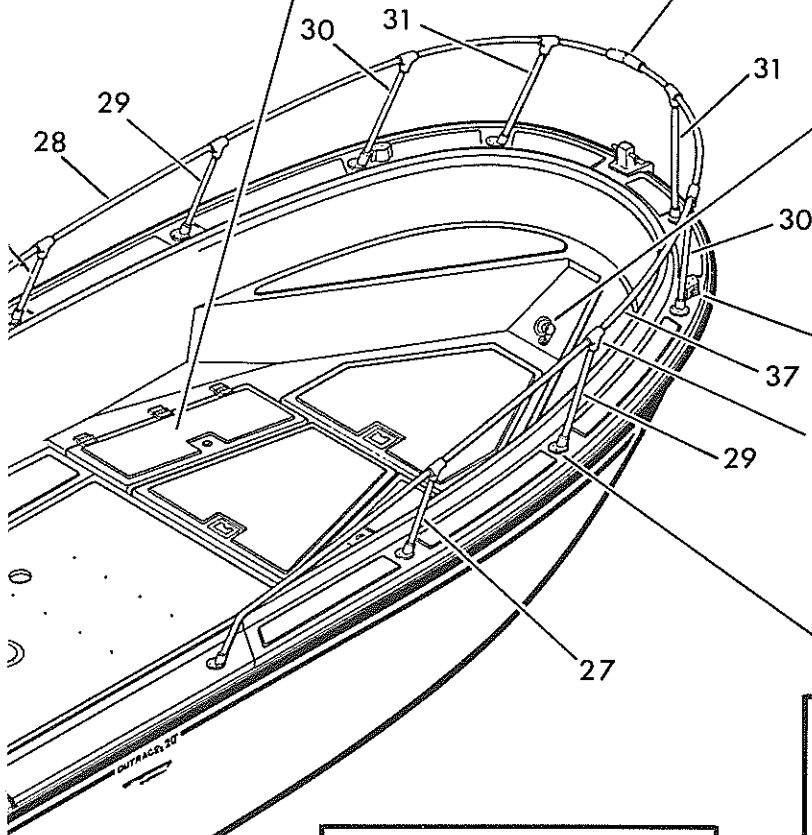
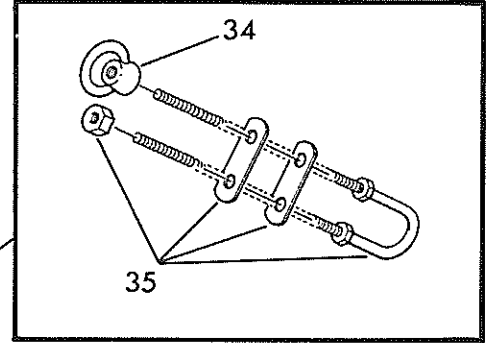
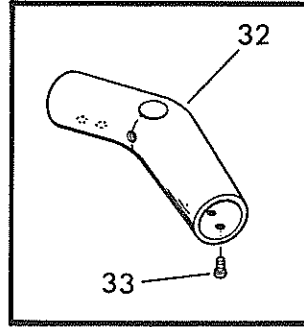
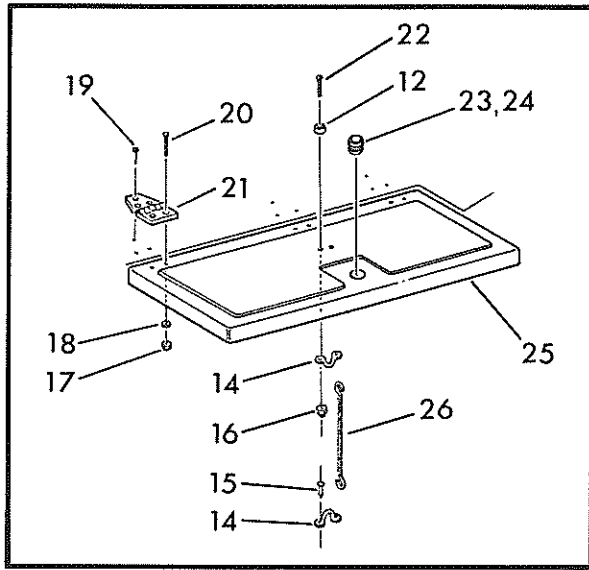
Det.	Part Number	Qty.	Description
1	82009600	14	Screw, #10x1-1/2"
2	82002800	34	Washer, Finish, #10
3	62328700	4	Holder, Rod Storage
4	82114300	18	Stopnut, Elastic, #10-24
5	12140200	8	Bracket, Angle
6	82019801	12	Screw, #10-24x1-1/2"
7	82002400	18	Screw, #10x2"
8	62005900	4	Cleat
9	62342500	2	Cleat, Side Cover
10	22341400	1	Cover, Fuel Hose, Port
	22341500	1	Cover, Wire, Stbd.
11	43026800	34"	Trim (17" each side, Port and Stbd.)
12	82121200	14	Washer, Finish, #6 (7 each side, Port and Stbd.)
13	82161100	14	Screw, #6x1"
14	12065800	4	Strap, Eye
15	82033700	4	Rivet, Pop, 3/16"x1/2"
16	82145300	4	Locknut, Nylon Insulated, #6-32 NM
17	82158400	12	Stopnut, Elastic, #8-32
18	82062500	12	Washer, Flat, #8
19	82010100	18	Screw, #8x3/4"
20	82061600	12	Screw, #8-32x1"
21	12113000	3 pr.	Hinge, 3 per Locker Cover, Port
22	82145200	4	Screw, #6-32x1-1/4" & Stbd. (2 per Locker Cover, Port and Stbd.)
23	12076600	2	Tube, 13/16" (1 per Locker Cover, Port and Stbd.)
24	12008900	4	O-Ring, Neoprene (2 per Locker Cover, Port and Stbd.)
25	22341800	1	Cover, Locker, Rope, Port
	22341900	1	Cover, Locker, Rope, Stbd.
26	12348200	2	Cord, Shock (1 per Locker Cover, Port and Stbd.)
27	72335906	2	Stanchion, Aft., Bow Rail
28	72335901	1	Section, Port Bow Rail (includes (4) 72124100 stainless Steel 60° tees)
29	72335905	2	Stanchion, Center Bow Rail
30	72335904	2	Stanchion, Fwd. Bow Rail
31	72335903	2	Stanchion, Bow Rail
32	72306300	1	Form, Bow Rail
33	82020700	48	Screw, #10-24x1/2"
34	12017800	1	Nut, Eye, Chrome, 1/2"
35	12716200	1	Eye, Bow
36	43001100	48 ft.	Cord, Zip (Z Strand)
37	72335902	1	Section, Stbd., Bow Rail (includes (4) 72124100 stainless steel 60° tees)
38	82109300	38	Screw, #14x1-1/2"
39	72199200	10	Base, 60° Rail
40	12130900	1	Vinyl, Flex, Black, 50'
41	82136100	112	Rivet, Pop, 3/16x5/8"
42	12363300	2	Rail, Rub, Rigid, 25'
43	12612100	4	O-Ring, Neoprene, 1-1/4"
44	12612000	2	Tube, Drain, 3-1/2"x1-1/4"

Det.	Part Number	Qty.	Description
45	12255000	2	Head, Bow and Ski Eye
46	12255002	2	Stud, Eye, 4"
47	12320600	2	Nut, Eye, Chrome, 1/2"
48	82019700	2	Screw, #10x2-1/2"
49	12329200	1	Endcap, Port
	12329300	1	Endcap, Stbd.
50	82009900	4	Screw, #10x1"
51	12090500	2	Cleat, Springline

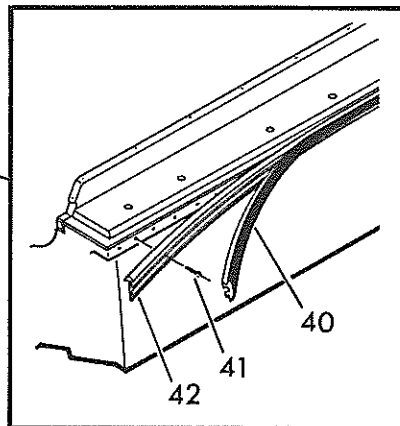
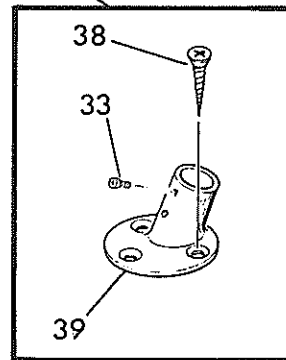
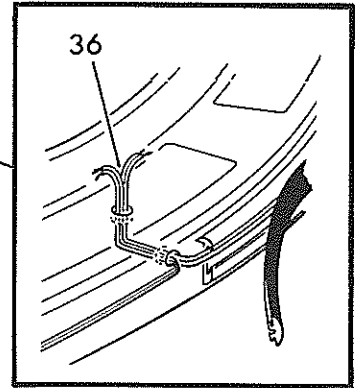




# 20' Outrage - Outboard



STAINLESS STEEL  
60 TEES BENT  
ONTO RAIL  
(4 each side-Port  
& Stbd.)

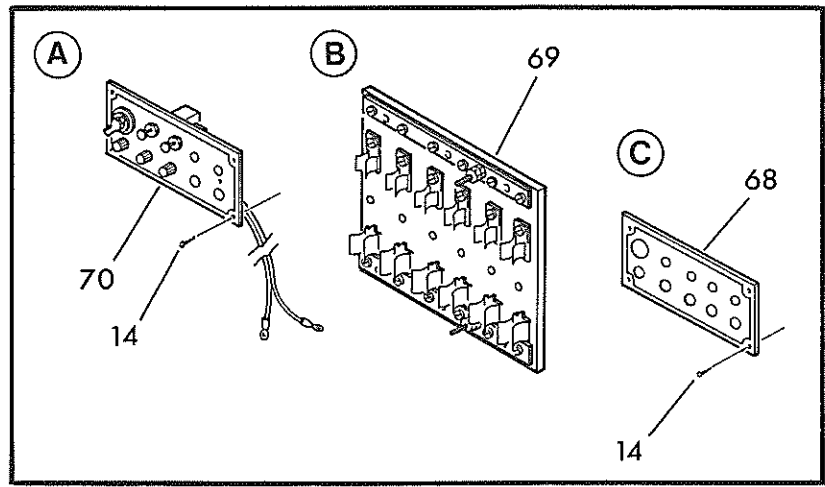
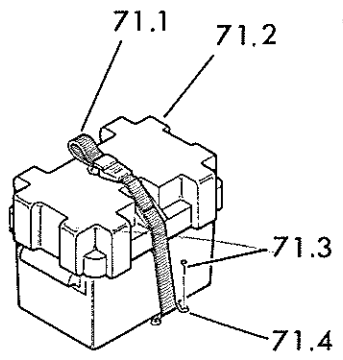
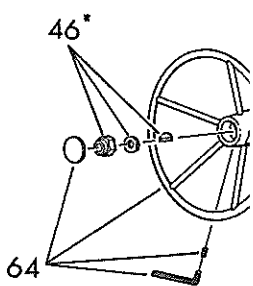
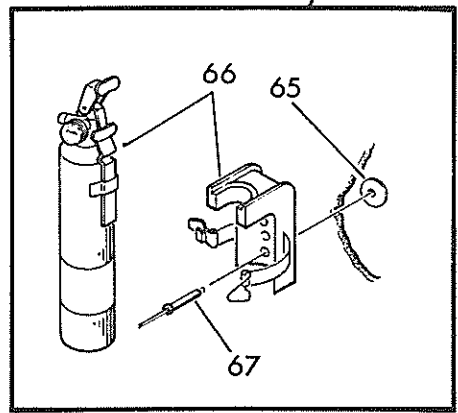
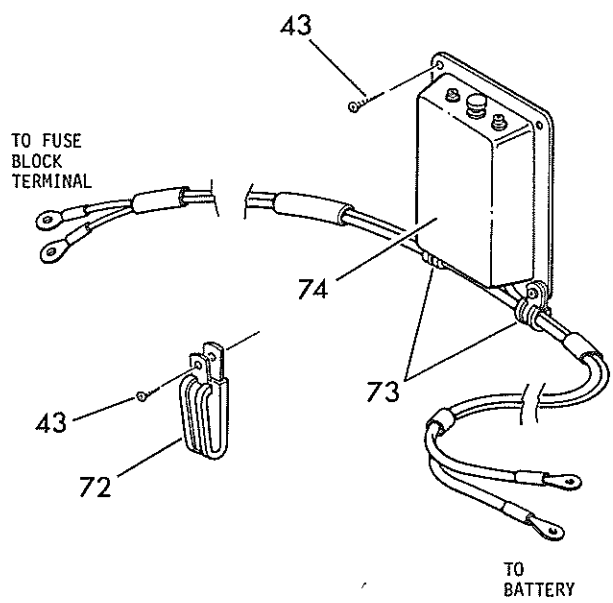
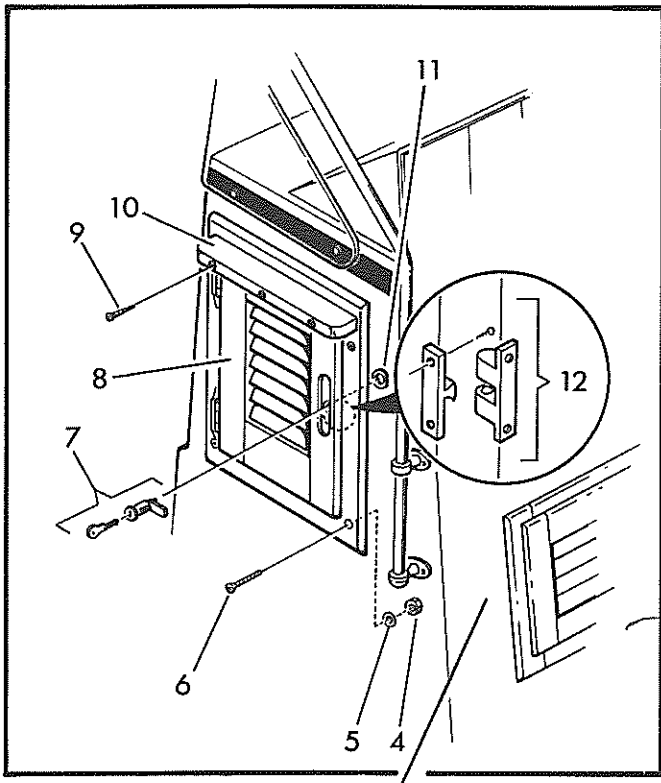
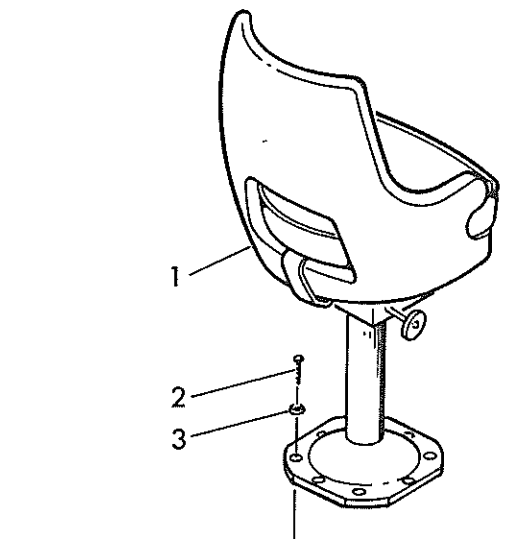


Det.	Part Number	Qty.	Description
1	12308700	2	Seat, Swivel
2	82109300	32	Screw, #14x1-1/2" (8 used on each seat)
3	82004500	32	Washer, Finish, #12 (8 used on each seat)
4	82145300	10	Stopnut, Elastic, #6-32
5	82061500	10	Washer, Flat, #6
6	82145200	10	Screw, #6-32x1-1/4"
7	12290700	1 pr.	Lock (includes attaching nut)
8	62272800	1	Door, Vertical
9	82183200	6	Screw, #8x1"
10	62272801	1	Gutter, Door
11	12290800	2	Washer, Anchor, Door Lock
12	12517600	2	Latch, Door, Brass (includes attaching hardware)
13	12348900	1	Bezel, 90 degree
14	82092700	16	Screw, #6x1/2"
15	12344000	2	Panel, Instrument
16	12266000	1	Windshield, Console
17	72082704	2	Support, Stanchion, Closed End
18	82019801	10	Screw, #10-24x1-1/2"
19	82091700	10	Washer, Flat
20	82114300	10	Stopnut, Elastic, Brass, #10-24
21	82020700	10	Screw, #10-24x1/2"
22	72266401	1	Rail, Console
23	72040507	1	Tee, Rail, Large (Bent onto rail)
24	72146202	1	Stanchion, Forward
25	72040506	1	Base, Rail
26	72082703	2	Support, Stanchion
27	82138500	7	Nut, Well, #G10-32
28	12139300	7	Bushing, Nylon
29	82035200	17	Washer, Flat, #1/4"
30	82002800	15	Washer, Finish, #10
31	82017600	7	Screw, #10-32x1-1/4"
32	12542700	1	Cover, Dash
33	12330700	1	Light, Masthead, International
34	82332100	3	Screw, #8-32x3"
35	12044200	5	Splice, Terminal, Blue
36	12332400	1	Spacer, Masthead Light
37	12332200	1	Bushing, Snap
38	12332300	1	Support, Light Pole
39	82158400	3	Stopnut, Elastic, Brass, #8-32
40	12126000	1	Clamp
41	12331000	1	Cord, Retractable Power
42	12018200	7	Terminal, Wire
43	82009800	35	Screw, #8x5/8"
44	12136700	1	Clamp, Support
45	12363600	1	Harness, Masthead Light
46	12348800	1	Helm, Dual
47	43033700	6 ft.	Tape, Striping, Black, 1-1/2"
48	22542500	1	Console, New Small Standard
49	12552000	2	Plate, Back-up (one Part & Stbd.)
50	82150900	10	Stopnut, Elastic, #1/4-20
51	12551900	2	Angle, Mounting
52	82297100	10	Screw, #1/4-20x1-3/4"
53	62552100	2	Trim Strip, Console

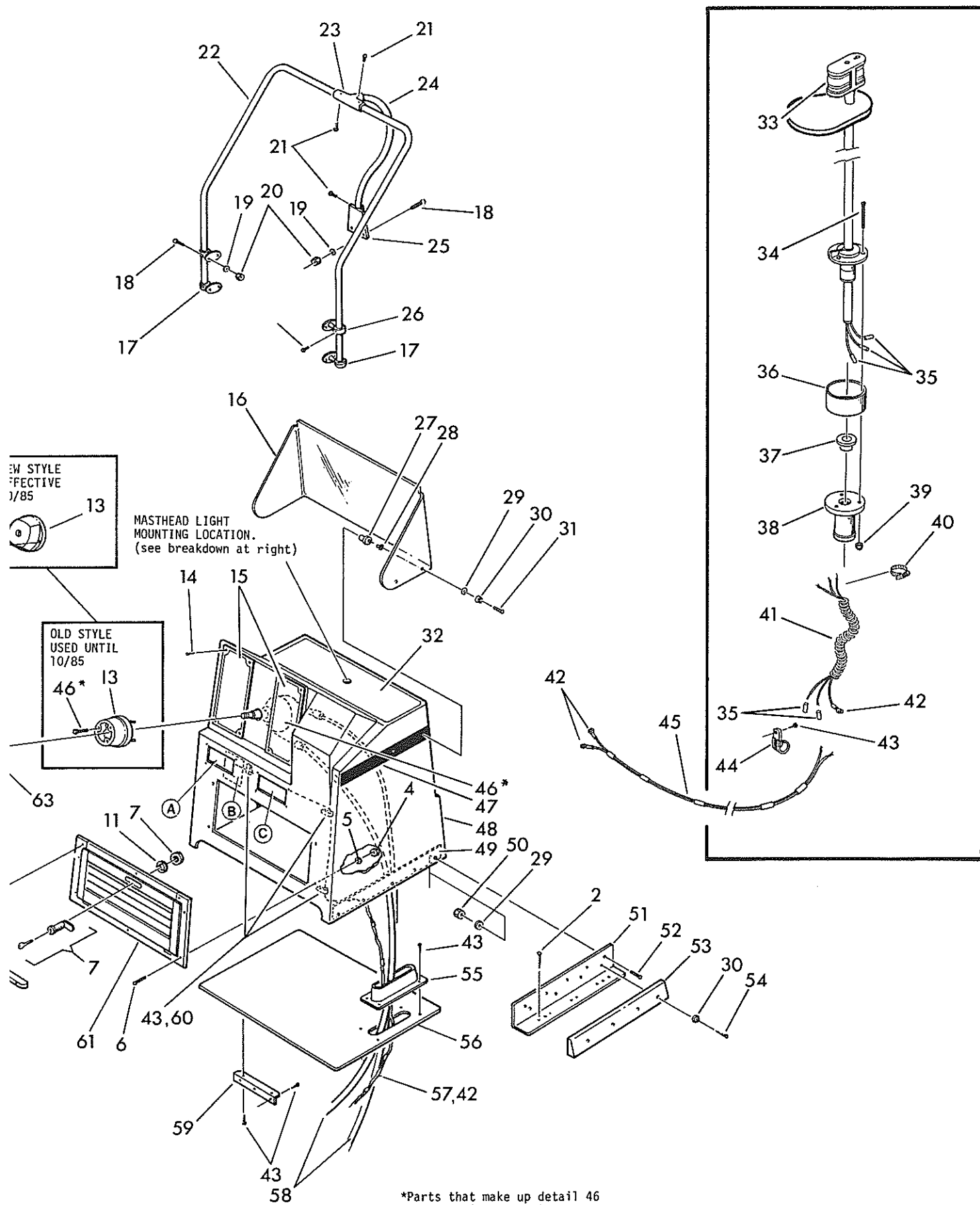
Det.	Part Number	Qty.	Description
54	82009600	8	Screw, #10x1-1/2"
55	12133800	1	Collar, Tunnel
56	62141200	1	Shelf, Console w/Covering
57	12351300	1	Harness, Stern Light
58	12143502	2	Cable, Steerer, 15.5 ft.
59	12372500	4	Bracket, Shelf Support
60	12127300	3	Clip
61	62272900	1	Door, Horizontal
62	62272901	1	Gutter, Door
63	12133000	1	Label, Steering Pull Warning
64	12083800	1	Wheel, Steering, Stainless Steel (to order packaged Stainless Steel Wheel Assembly use order number 5061200)
65	82016400	2	Washer, Flat, #10
66	12012400	1	Fire, Extinguisher (includes Mounting Bracket)
67	82033700	2	Rivet, Pop 3/16x1/2"
68	12345600	1	Panel, Switch, Stbd.
69	12242500	1	Block, Terminal Fuse
70	12344600	1	Panel, Switch, Port
71	15042800	1	Battery Box w/Holddowns (includes parts 71.1 - 71.4)
71.1	12354000	1	Strap, Holddown
71.2	12348700	1	Box, Battery
71.3	82009900	4	Screw, #10x1"
71.4	12354100	2	Strap, Deck
72	12127300	6	Clip
73	12120600	2	Clamp, Support
74	12346100	1	Harness, Power w/Main Circuit Breaker

Pamphlets

12316100	Boat Pamphlet
12678000	Owners Manual
15041700	Packing List
15041800	Wood Locating Diagram
32013100	Owner's Instruction Check Sheet
32013200	Poly Envelope, 8x10
32015400	CG 290 Coast Guard Regulation Booklet



# 20' Outrage - Outboard



NEW STYLE  
EFFECTIVE  
1/85

MASTHEAD LIGHT  
MOUNTING LOCATION.  
(see breakdown at right)

OLD STYLE  
USED UNTIL  
10/85

\*Parts that make up detail 46  
are found in three places on  
this page.

Det.	Part Number	Qty.	Description
1	12425400	1	Label, Capacity
2	82065700	4	Rivet, Pop, 1/8x1/4"
3	12462200	1	Label, Tiebar Information
4	12161900	2	Label, Vent Hose, No Drill
5	12162000	1	Label, Fuel Tank, No Drill
6	12214600	1	Label, Fuel Warning
7	12470100	1	Label, Fuel Filter
8	12310600	1	Label, Do Not Pull
9	12375200	2	Label, Fuel Hose

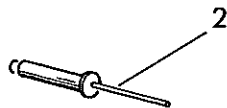
**NO DRILL**  
(Vent hose beneath this cover)

**DO NOT DRILL**  
Deeper than 1" within the area of this cover  
(Fuel tank beneath)



**WARNING**  
LEAKING FUEL IS A FIRE AND EXPLOSION HAZARD. INSPECT SYSTEM REGULARLY. EXAMINE FUEL TANKS FOR LEAKS OR CORROSION AT LEAST ANNUALLY.

Installation of an in-line fuel filter as recommended by the manufacturer of your outboard motor is advised.  
12470100



**DO NOT PULL...**  
this cord! The other end terminates under a white plastic cap in the bow locker and it is used for pulling wiring through from locker to console when a pump is installed in the locker.

**BOSTON WHALER**

This boat is set up for equal length twin cable steering which will service the following outboard engines:  
**Single OMC** using their parallel entry connection kit.  
**Dual OMC** using their parallel entry connection kit and our tiebar kit part no. 15-0416-00.

Caution!— do not install dual OMC engines prior to receiving our tiebar kit.

**Single MERCURY** using their single engine twin cable kit.  
**Dual MERCURY** requires one of the cables to be replaced with one 2.5 feet longer and their dual engine, twin cable, compression-tension connection kit (includes tiebar).  
 Engines must be mounted 29 3/4" apart center to center which will require extra length MERCURY components on the tiebar (refer to the compression-tension kit instructions).

MULTIFORM INDUSTRIES • 1979 • Cleveland, Ohio 44125  
SAE J30 U.S.C.G. Type B - Fuel Line - BIA Accepted