

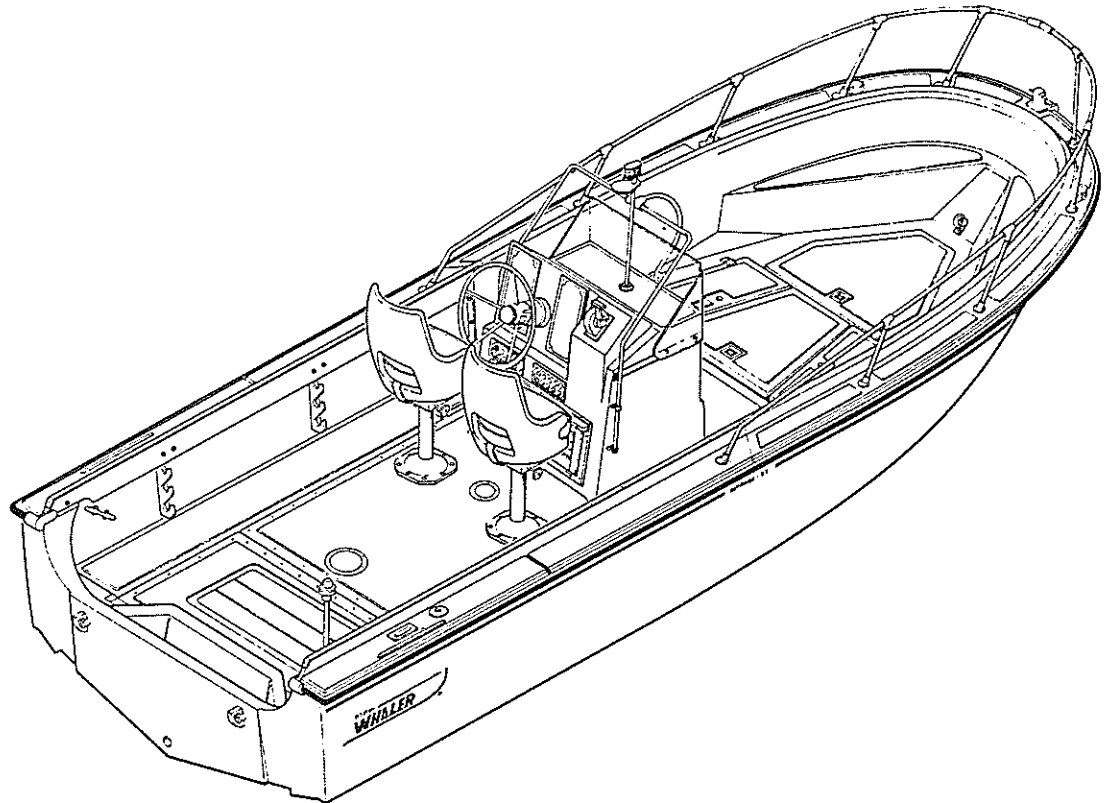
# 22' Outrage - Outboard

---

**BOSTON**  
**WHALER**

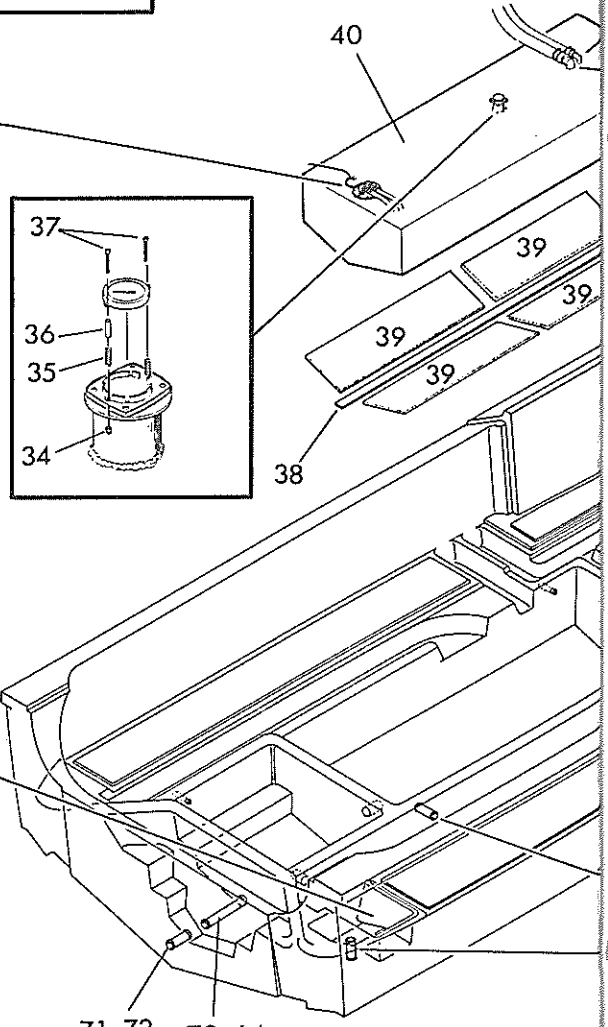
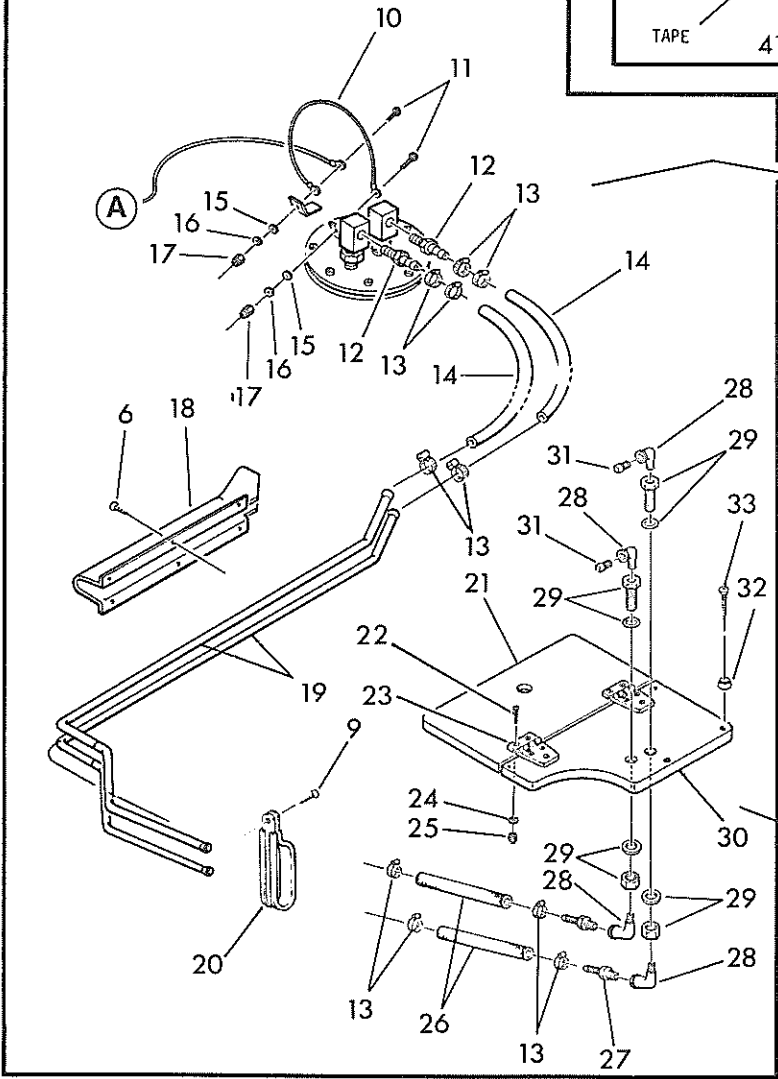
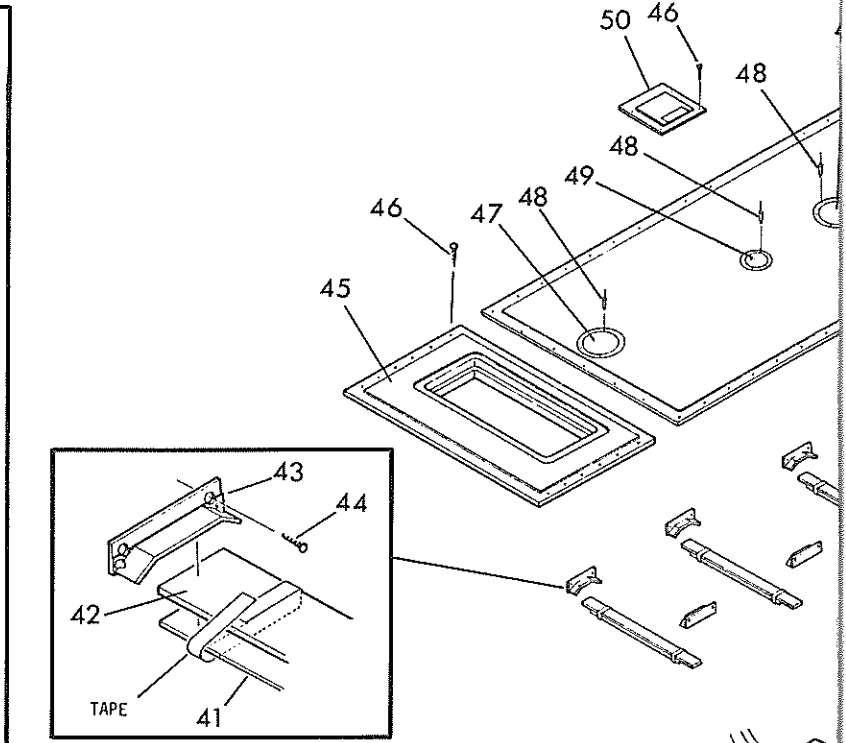
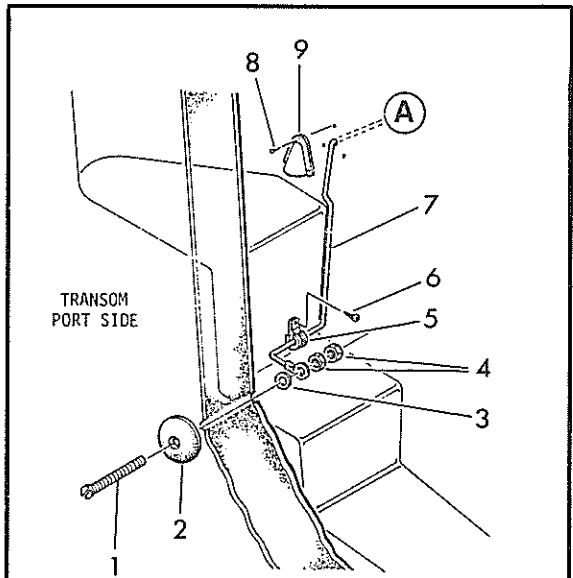


A CML Group Company since 1969.



Det.	Part Number	Qty.	Description
	12126400		Ground Plate Assembly (includes parts 1-4)
1	12126402	1	Bolt, Brass, 1/4-20x3"
2	12171800	1	Disc, Grounding
3	12126403	1	Washer, Brass, 1/4"
4	12126401	2	Nut, Brass, 1/4-20
5	12136700	1	Clamp, Support
6	82009800	9	Screw, #8x5/8"
7	12158800	1	Wire, Ground
8	82068300	3	Screw, #6x1/2"
9	12117000	1	Ventilator
10	12426000	1	Wire, Ground
11	82020700	3	Screw, #10-24x1/2"
12	12127400	2	Barb, Male
13	12127600	10	Clamp, Hose, Fuel Line
14	43014300	2	Hose, Fuel Line, 24"
15	82016400	3	Washer, Flat, #10
16	82016500	3	Washer, Star, #10-Ext.
17	82016300	3	Nut, Hex, #10-24
18	12342100	1	Guard, Fuel Line
19	12341000	2	Line, Fuel, Copper
20	12136700	2	Clamp, Support
	15063700		Fuel Block and Cover Assembly (includes Parts 21 - 32)
21	62340301	1	Door, Finger Hole
22	82061600	10	Screw, #8-32x1"
23	12113000	1/pr.	Hinge
24	82062500	10	Washer, Flat, #8
25	82158400	10	Stopnut, Elastic, Brass, #8-32
26	43014300	2	Hose, Fuel Line, 9"
27	12127400	2	Barb, Male
28	12209700	4	Elbow, Street, 1/4"
29	12127500	2	Fitting, Bulkhead
30	62340302	1	Cover, Fuel Fitting
31	12308900	2	Plug, Brass
32	82002800	4	Washer, Finish, #10
33	82372300	4	Screw, #10x1-3/4"
34	82232800	2	Stopnut, Elastic, Brass, #4-40
35	12326200	2	Spring
36	12326300	2	Spacer
37	82326400	2	Screw, #4-40x1-3/8"
38	12334700	1	Strap, Fuel Tank Support
39	12340900	4	Pad, Fuel Tank
40	12373500	1	Tank, Fuel, 72 Gallon
41	12334800	3	Strap, Fuel Tank HoIddown
42	12785100	3	Strap, HoIddown, Aluminum
43	12418500	6	Bracket, HoIddown, Aluminum
44	82313800	12	Screw, #14x1"
45	22341300	1	Cover, Fishwell, Aft.
46	82009600	70	Screw, #10x1-1/2"
47	12299500	2	Pyhi, 8"
48	82150800	18	Rivet, Pop, 16x3/8"
49	12255200	1	Pyhi, Clear, 6"
50	22341100	1	Cover, Vent Tunnel Port
51	22341200	1	Cover, Fuel Tank

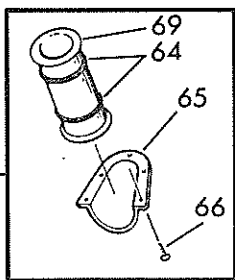
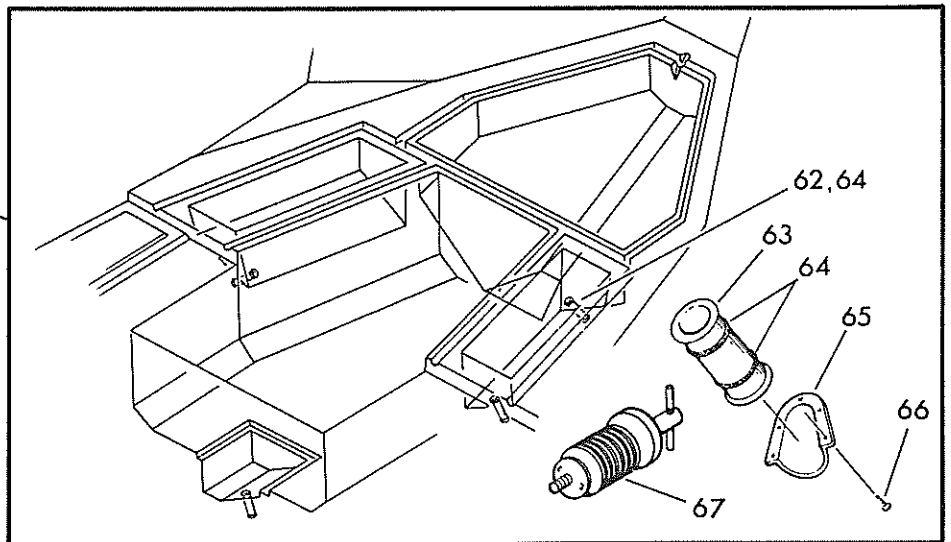
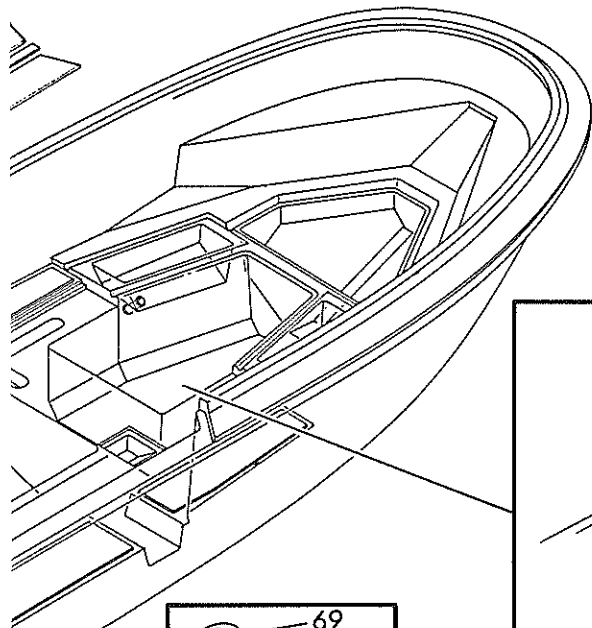
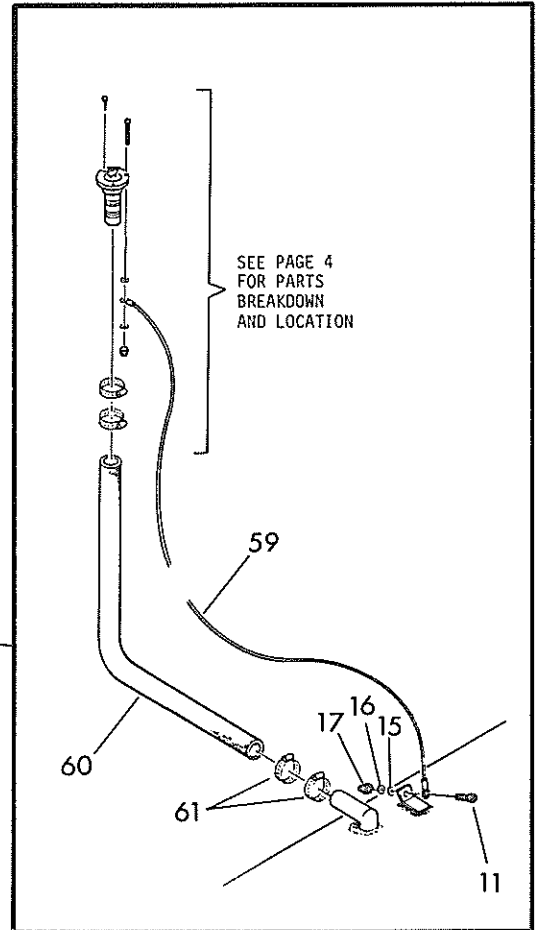
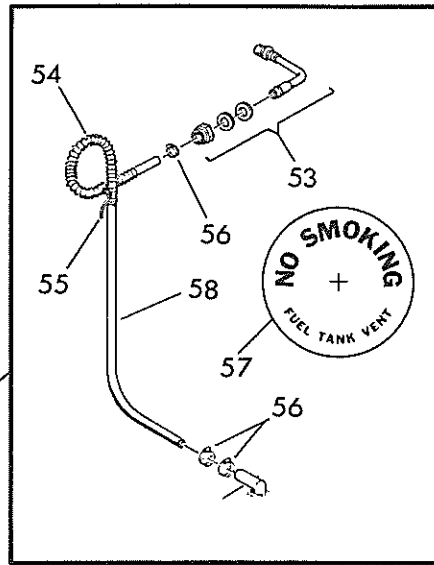
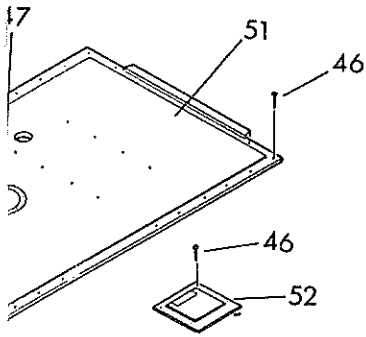
Det.	Part Number	Qty.	Description
52	22342600	1	Cover, Wire Tunnel, Stbd.
53	12298900	1	Fitting, Vent
54	12530000	1	Spring, Vent, 12"
55	12180902	1	Tyrap
56	12126000	3	Clamp, Vent Hose
57	12162200	1	Label, No Smoking
58	43014100	1	Hose, Vent, 6.080 feet
59	12334500	1	Wire, Ground, 6 feet
60	43014200	1	Hose, Fuel Line, 66"
61	12126200	2	Clamp, Fill Hose
62	12152400	1	Tube, Drain, Brass, 6-3/4"
63	12012900	3	Tube, Drain, Brass, 4-7/8"
64	12008900	16	O-Ring, Neoprene
65	12160800	6	Vent, Stainless Steel
66	82009800	30	Screw, #8x5/8"
67	12018100	7	Plug, Drain
68	12294700	1	Tube, Drain, Aluminum, 3-3/4"
69	12543800	2	Tube, Drain, Brass, 3-3/4"
70	12012800	1	Tube, Drain, Brass, 14"
71	12612000	1	Tube, Drain, Brass, 1-1/4"x3-1/2"
72	12612100	2	O-Ring, Neoprene



EFFECTIVE 1/86

71,72 70,64

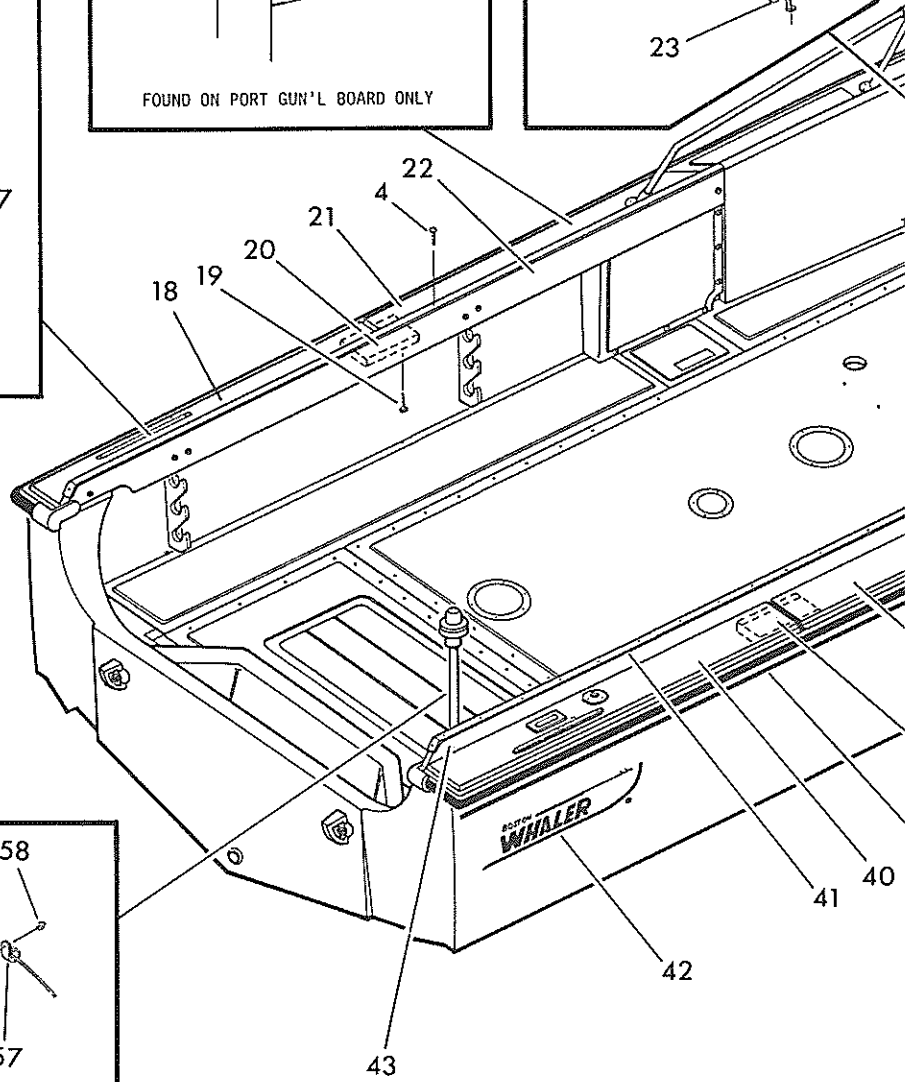
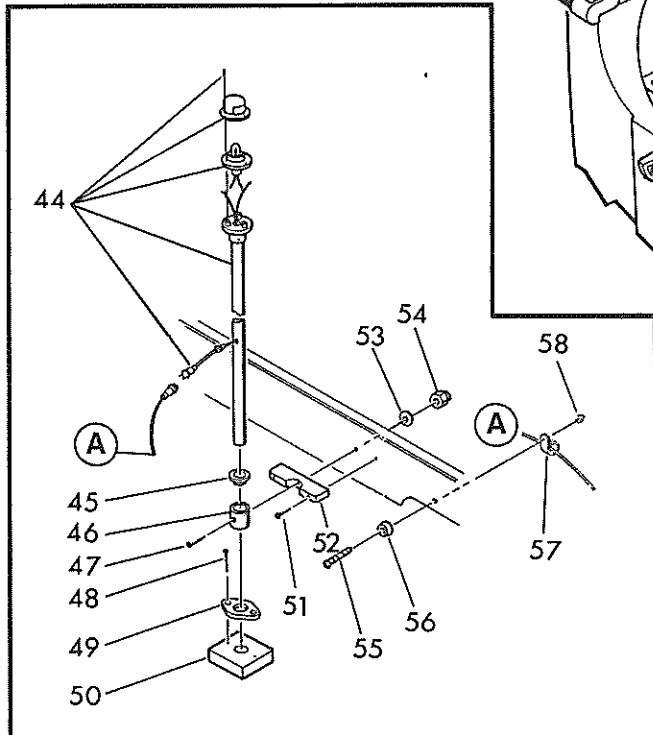
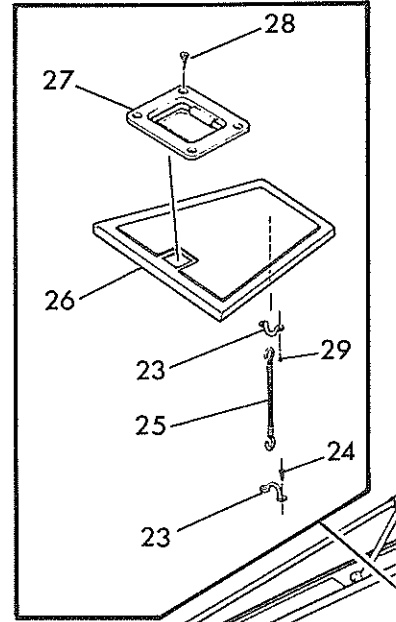
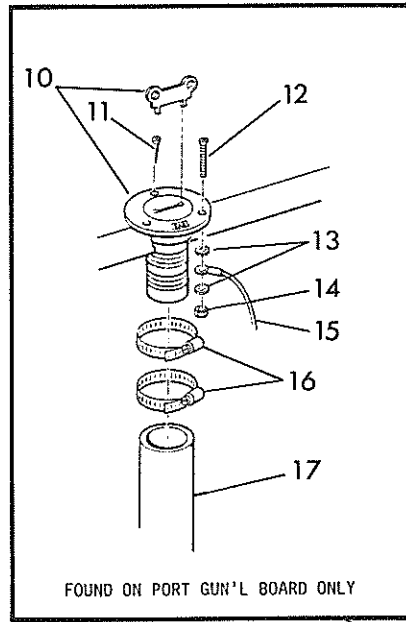
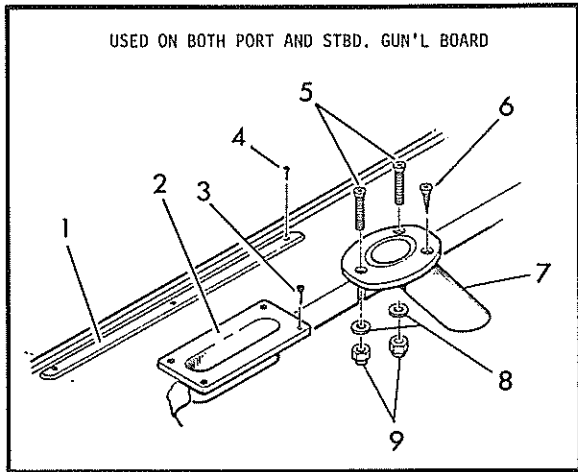
# 22' Outrage - Outboard



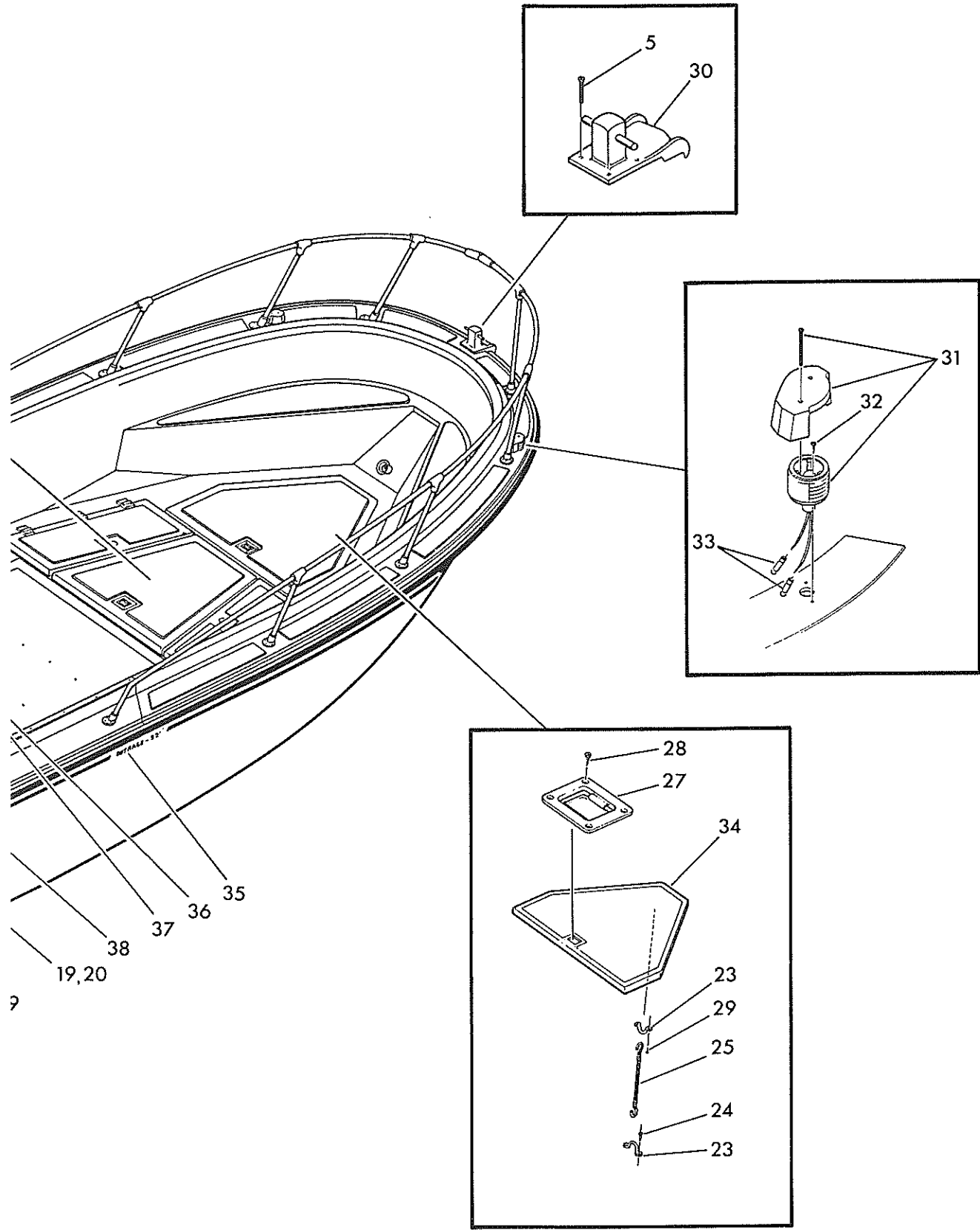
68, 64

Det.	Part Number	Qty.	Description
1	12308500	2	Strake, Rub
2	12118300	2	Pipe, Hole, Hawse
3	82022500	8	Screw, #8x1/2"
4	82092700	50	Screw, #6x1/2"
5	82061100	8	Screw, 1/4-20x1-1/2"
6	82063900	2	Screw, #14x1"
7	12149000	1/pr.	Holder, Rod, Flush Mount
8	82035200	4	Washer, Flat, 1/4"
9	82150900	4	Stopnut, Elastic, #1/4-20
10	12364000	1	Fill, Fuel
11	82009900	2	Screw, #10x1"
12	82019801	1	Screw, #10-24x1-1/2"
13	82114200	2	Washer, Flat, Brass, #10x7/16"
14	82114300	1	Stopnut, Elastic, #10-24
15	12334500	1	Wire, Ground, 6 feet
16	12126200	2	Clamp, Fill Hose
17	43014300	1	Hose, Fuel Line, 66"
18	62336003	1	Aft, Gun'l Board Top Piece, Port
19	82093500	20	Screw, #8x1-1/4"
20	62463500	2	Block
21	62336001	1	Fwd. Gun'l Board Top Piece, Port
22	62336002	1	Side, Gun'l Board, Port
23	12065800	4	Strap, Eye
24	82033700	4	Rivet, Pop, 3/16x1/2"
25	12348300	2	Cord, Shock
26	22341700	1	Cover, Bow Locker Storage
27	12086100	2	Handle, Flush
28	82122200	8	Screw, #8x1/2"
29	82183200	4	Screw, #8x1"
30	12423100	1	Bitt, Bow
31	12302001	1	Light, Side, Port
	12302002	1	Light, Side, Stbd.
32	82009800	4	Screw, #8x5/8" (2 per side light)
33	12044200	4	Splice, Terminal, Blue (2 per side light)
34	22341600	1	Cover, Anchor Locker
35	12330400	1 set	Decal, Outrage-22'
36	62158200	28	Bung, Teak (14 per Gun'l Board)
37	82068500	28	Screw, #10x1-1/4" (14 per Gun'l Board)
38	62336101	1	Fwd., Gun'l Board Top Piece, Stbd.
39	43026700	38 ft.	Tape, Striping, 1"
40	62336103	1	Aft., Gun'l Board Top Piece, Stbd.
41	12299100	2	Rub Rail, Stainless, (1 each Port and Stbd.)
42	12308300	1 set	Decal, Boston Whaler Logo, 28"
43	62336102	1	Side, Gun'l Board, Stbd.
44	12568300	1	Sternlight fixture, Dome and Post Assembly (to order Dome and Light Fixture only, use part number 12233600).
45	12308600	1	Bushing, Snap
46	12308800	1	Ring, Stern Light
47	82065400	1	Screw, #1/4-20x2"
48	82009600	2	Screw, #10x1-1/2"

Det.	Part Number	Qty.	Description
49	12298300	1	Escutcheon, Sternlight
50	62340100	1	Block, Base, Sternlight
51	82183200	2	Screw, #8x1"
52	62310700	1	Block, Support, Sternlight
53	82035200	1	Washer, Flat, #1/4"
54	82150900	1	Stopnut, Elastic, #1/4-20
55	82079100	1	Screw, #8-32x1-1/4"
56	82002800	1	Washer, Finish, #10
57	12136700	1	Clamp, Support
58	82158400	1	Stopnut, Elastic, Brass, #8-32



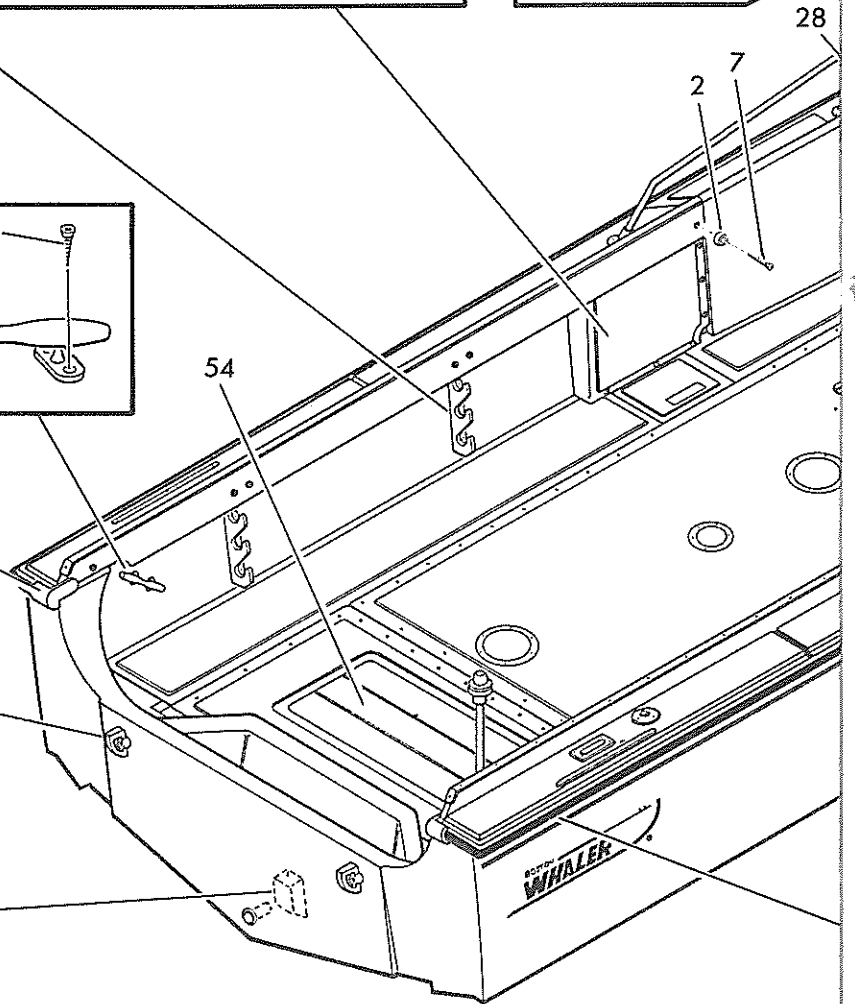
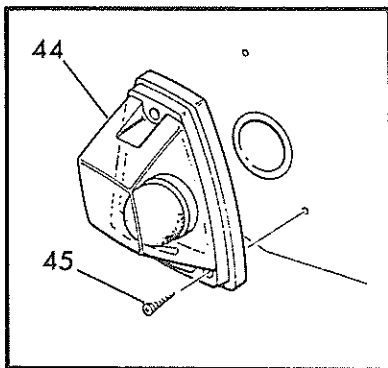
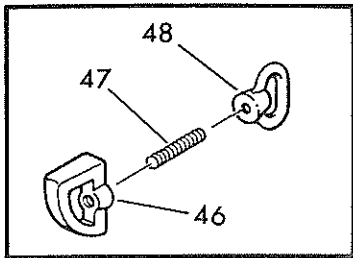
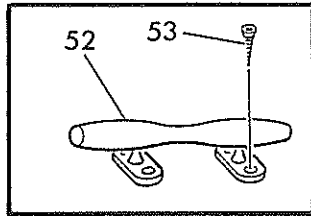
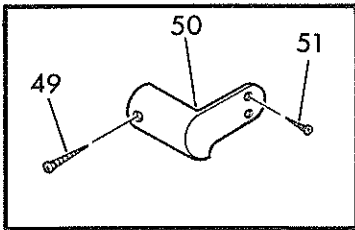
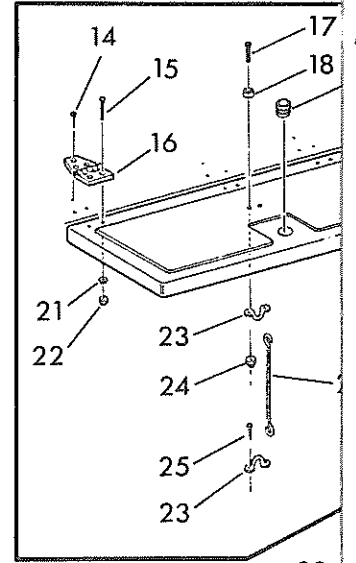
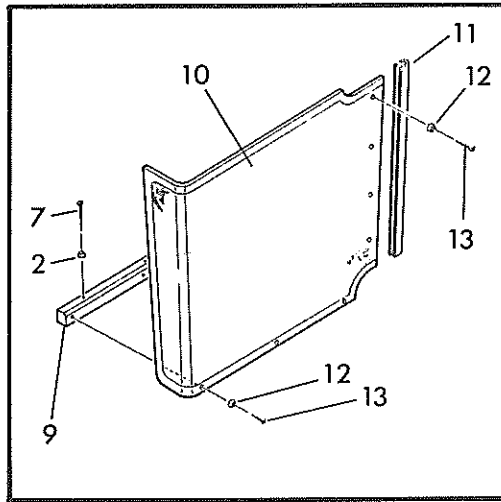
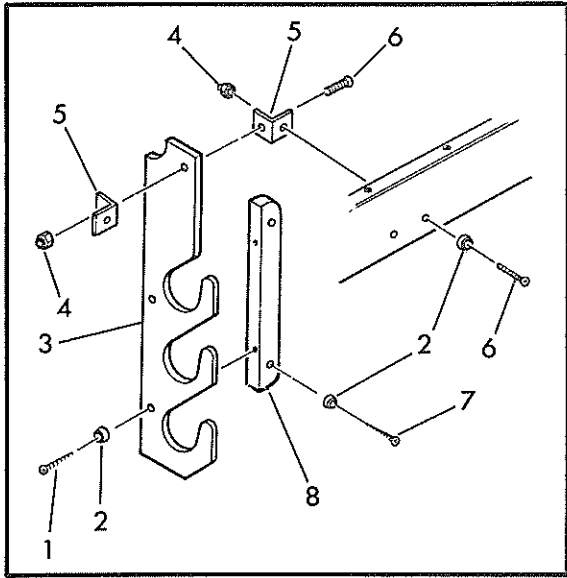
# 22' Outrage - Outboard



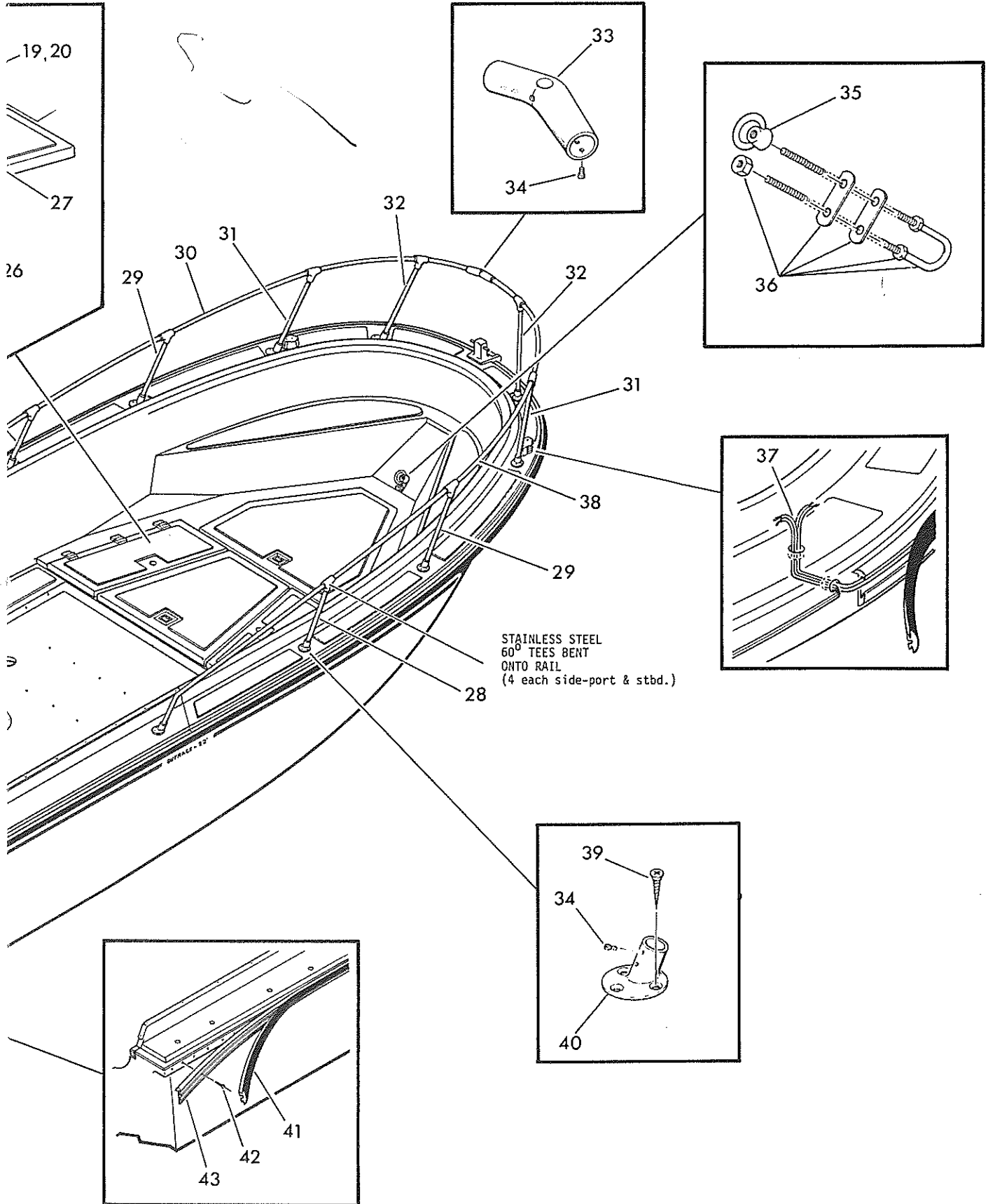
Det.	Part Number	Qty.	Description
1	82009600	8	Screw, #10x1-1/2"
2	82002800	34	Washer, Finish, #10
3	62328700	4	Holder, Rod Storage
4	82114300	18	Stopnut, Elastic, #10-24
5	12140200	8	Bracket, Angle
6	82019801	12	Screw, #10-24x1-1/2"
7	82002400	18	Screw, #10x2"
8	62005900	4	Cleat
9	62342500	2	Cleat, Side Cover
10	22341400	1	Cover, Fuel Hose, Port
	22341500	1	Cover, Wire, Stbd.
11	43026800	34"	Trim, (17" each Port and Stbd.)
12	82121200	14	Washer, Finish, #6 (7 each Port and Stbd.)
13	82161100	14	Screw, #6x1" (7 each Port and Stbd.)
14	82010100	18	Screw, #8x3/4"
15	82061600	12	Screw, #8-32x1"
16	12113000	3/pr.	Hinge
17	82145200	4	Screw, #6-32x1-1/4"
18	82121200	4	Washer, Finish, #6
19	12076600	2	Tube, 13/16"
20	12008900	4	O-Ring, Neoprene
21	82062500	12	Washer, Flat, #8
22	82158400	12	Stopnut, Elastic, #8-32
23	12065800	4	Strap, Eye
24	82145300	4	Locknut, Nylon Insulated, #6-32 NM
25	82183200	4	Screw, #8x1"
26	12348200	2	Cord, Shock
27	22341800	1	Cover, Locker, Rope, Port
	22341900	1	Cover, Locker, Rope, Stbd.
28	72335906	2	Stanchion, Aft., Bow Rail
29	72335905	2	Stanchion, Center Bow Rail
30	72335901	1	Section, Port Bow Rail (includes (4) 72124100 stainless steel 60° tees)
31	72335904	2	Stanchion, Fwd. Bow Rail
32	72335903	2	Stanchion, Bow
33	72306300	1	Form, Bow
34	82020700	48	Screw, #10-24x1/2"
35	12017800	1	Nut, Eye, Chrome, 1/2"
36	12716200	1	Eye, Bow
37	43001100	48/ft.	Cord, Zip (2 strand)
38	72335902	1	Section, Stbd. Bow Rail (includes (4) 72124100 stainless steel 60° tees)
39	82109300	30	Screw, #14x1-1/2"
40	72199200	10	Base, 60° Rail
41	12130900	1	Vinyl, Flex, Black, 50'
42	82136100	112	Rivet, Pop, 3/16x5/8"
43	12363300	2	Rail, Rub, Rigid, 25'
44	12343500	1	Valve, Check
45	82183200	3	Screw, #8x1"
46	12255000	2	Head, Bow and Ski Eye
47	12255002	2	Stud, Eye, 4"

Det.	Part Number	Qty.	Description
48	12320600	2	Nut, Eye, Chrome, 1/2"
49	82019700	2	Screw, #10x2-1/2"
50	12329200	1	Endcap, Port
	12329300	1	Endcap, Stbd.
51	82009900	4	Screw, #10x1"
52	12090500	2	Cleat, Springline
53	82109300	8	Screw, #14x1-1/2"
54	62340400	1	Cover, Fishwell, Teak



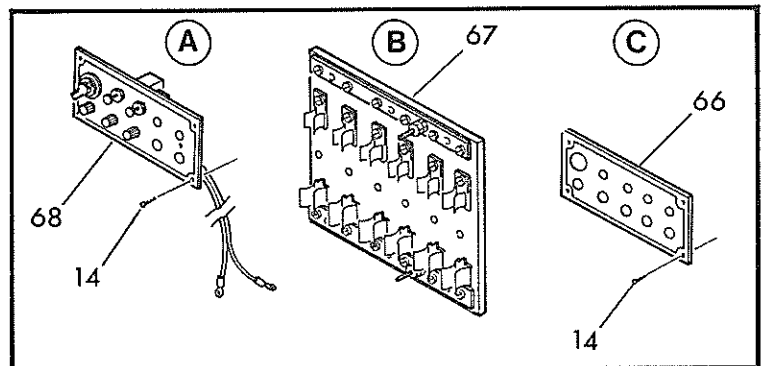
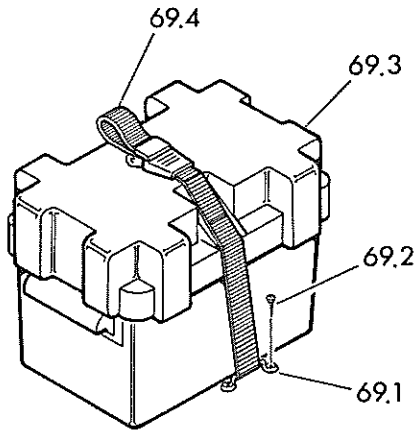
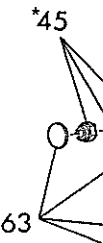
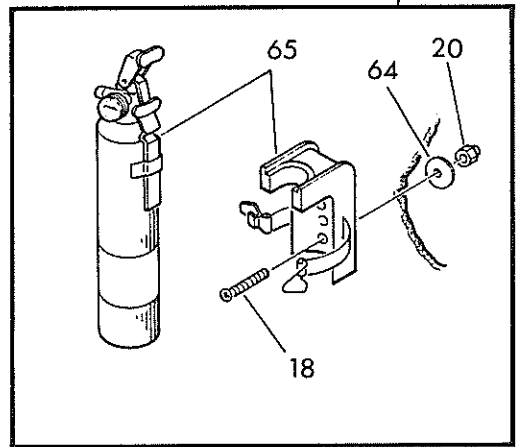
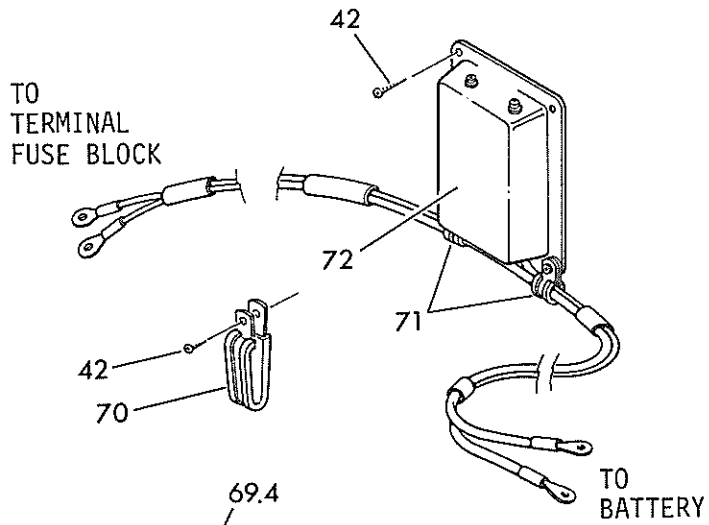
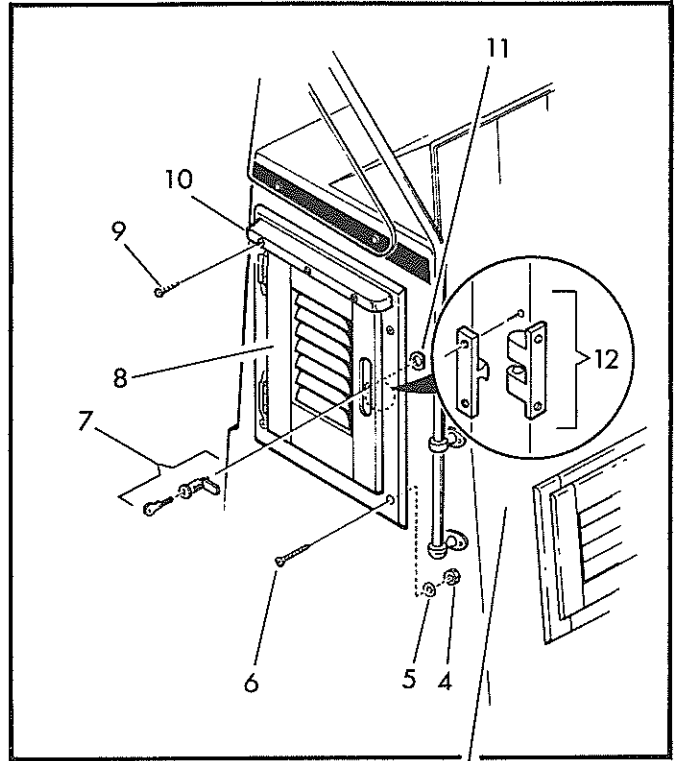
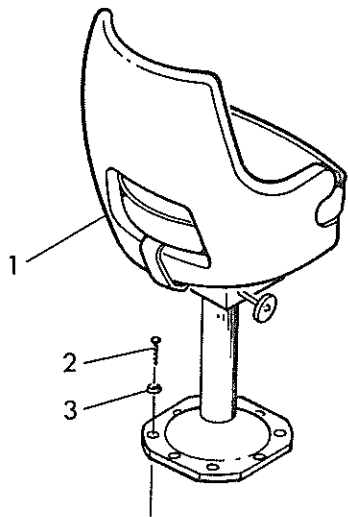


# 22' Outrage - Outboard



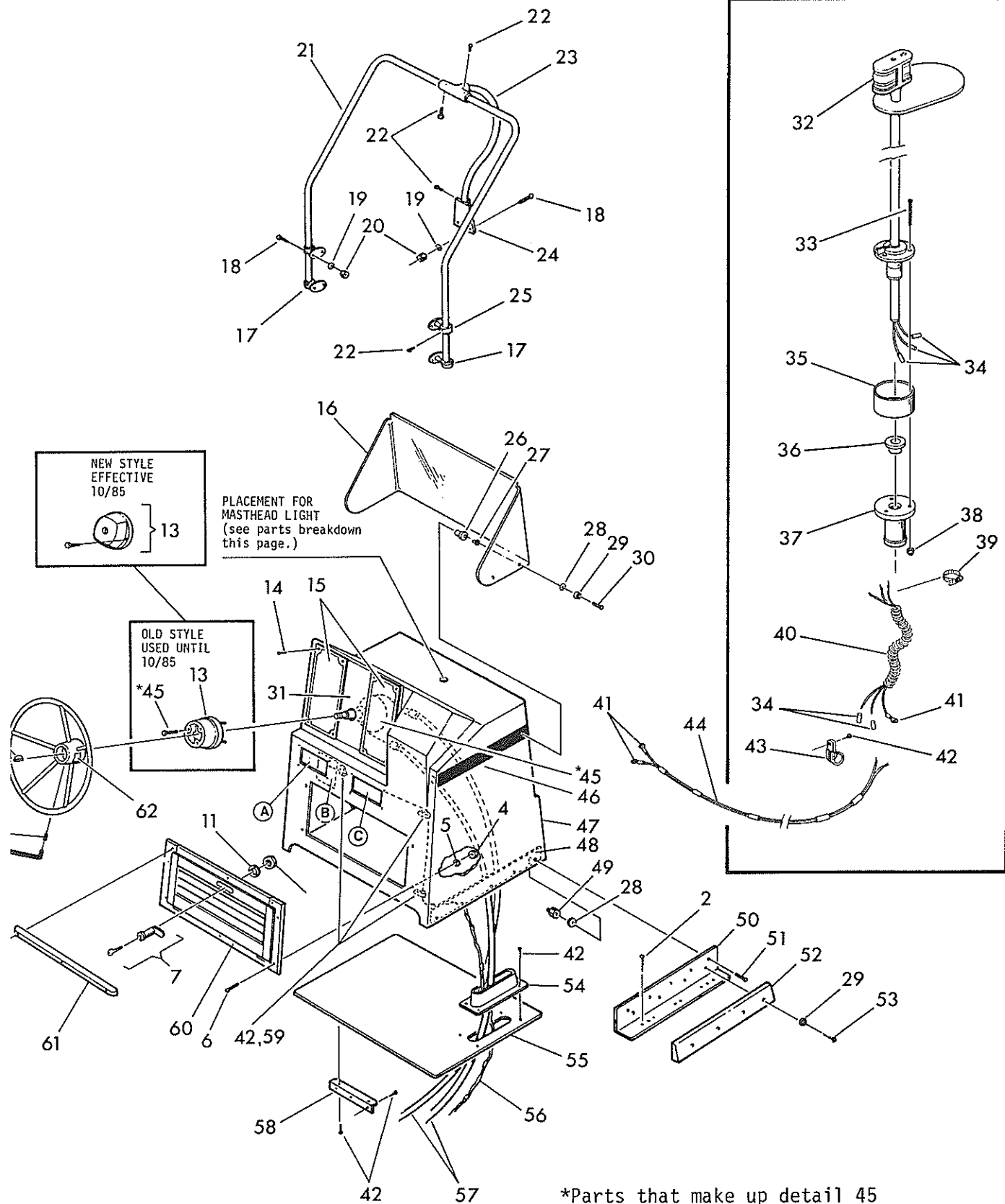
Det.	Part Number	Qty.	Description
1	12308700	2	Seat, Swivel
2	82109300	32	Screw, #14x1-1/2" (8 used on each seat)
3	82004500	16	Washer, Finish, #12 (8 used on each seat)
4	82145300	10	Stopnut, Elastic, #6-32
5	82061500	10	Washer, Flat, #6
6	82145200	10	Screw, #6-32x1-1/4"
7	12290700	1/pr.	Lock (includes attaching nut)
8	62272800	1	Door, Vertical
9	82183200	6	Screw, #8x1"
10	62272801	1	Gutter, Door
11	12290800	2	Washer, Anchor, Door Lock
12	12517600	2	Latch, Door, Brass (includes attaching hardware)
13	12348900	1	Bezel, 90 Degree
14	82092700	16	Screw, #6x1/2"
15	12344000	2	Panel, Instrument
16	12266000	1	Windshield, Console
17	72082704	2	Support, Stanchion, Closed End
18	82019801	12	Screw, #10-24x1-1/2"
19	82091700	10	Washer, Flat
20	82114300	12	Stopnut, Elastic, Brass, #10-24
21	72266401	1	Rail, Console (includes (1) Large Rail Tee #72040507)
22	82020700	10	Screw, #10-24x1/2"
23	72146202	1	Stanchion, Forward
24	72040506	1	Base, Rail
25	72082703	2	Support, Stanchion
26	82138500	7	Nut, Well, #610-32
27	12139300	7	Bushing, Nylon
28	82035200	7	Washer, Flat, #1/4
29	82002800	15	Washer, Finish, #10
30	82017600	7	Screw, #10-32x1-1/4"
31	12542700	1	Cover, Dash
32	12330700	1	Light, Masthead, International
33	82332100	3	Screw, #8-32x3"
34	12044200	5	Splice, Terminal, Blue
35	12332400	1	Spacer, Masthead Light
36	12332200	1	Bushing, Snap
37	12332300	1	Support, Light Pole
38	82158400	3	Stopnut, Elastic, #8-32
39	12126000	1	Clamp
40	12331000	1	Cord, Power, Retractable
41	12018200	3	Terminal, Wire
42	82009800	35	Screw, #8x5/8"
43	12136700	1	Clamp, Support
44	12363600	1	Harness, Masthead Light
45	12348800	1	Helm, Dual
46	43033700	6/ft.	Tape, Striping, Black, 1-1/2"
47	22542500	1	Console
48	12552000	2	Plate, Backup
49	82150900	10	Stopnut, Elastic, #1/4-20
50	12551900	2	Angle, Mounting

Det.	Part Number	Qty.	Description
51	82297100	10	Screw, #1/4-20x1-3/4"
52	62552100	2	Strip, Trim, Console
53	82009600	8	Screw, #10x1-1/2"
54	12133800	1	Collar, Tunnel
55	62141200	1	Shelf, Console
56	12351300	1	Harness, Sternlight
57	12331600	2	Cable, Steerer, 19'
58	12372500	4	Bracket, Shelf Support
59	12127300	6	Clip
60	62272900	1	Door, Horizontal
61	62272901	1	Gutter, Door
62	12133000	1	Label, Steering Warning
63	12083800	1	Wheel, Steering, Stainless Steel (to order packaged Stainless Steel Wheel Assembly use order number #15061200)
64	82091700	2	Washer, Flat
65	12012400	1	Extinguisher, Fire (includes mounting bracket)
66	12345600	1	Panel, Switch, Stbd.
67	12242500	1	Block, Fuse, Terminal
68	12344600	1	Panel, Switch, Port
69	15042800	1	Battery Box w/Holddowns (includes parts 69.1-69.4)
69.1	12354100	2	Strap, Deck
69.2	82009900	4	Screw, #10x1"
69.3	12348700	1	Box, Battery
69.4	12354000	1	Strap, Holddown
70	12127300	6	Clip
71	12120600	2	Clamp, Support
72	12346100	1	Harness, Power W/Main Circuit Breaker



EFFECTIVE 1/86

# 22' Outrage - Outboard



\*Parts that make up detail 45 are found in three places on this page.

Det.	Part Number	Qty.	Description
1	12425600	1	Label, capacity
2	82065700	4	Rivet, Pop, 1/8x1/4"
3	12462200	1	Label, Tiebar Info
4	12161900	2	Label, Vent Hose, No Drill
5	12162000	1	Label, Fuel Tank, No Drill
6	12214600	1	Label, Fuel Warning
7	12470100	1	Label, Fuel Filter
8	12310600	1	Label, Do Not Pull
9	12375200	2	Label, Fuel Hose

**MAXIMUM CAPACITIES**

---

**11 PERSONS OR 1515 LBS**

2655 LBS. PERSONS, MOTOR, GEAR  
240 H. P. MOTOR

---

THIS BOAT COMPLIES WITH U. S. COAST GUARD SAFETY STANDARDS IN EFFECT ON THE DATE OF CERTIFICATION

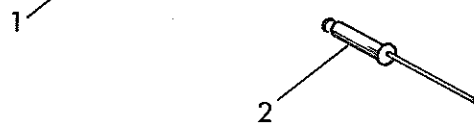
MANUFACTURER: **BOSTON WHALER INC.**  
ROCKLAND, MASS.

MODEL: **22'**

DESIGN COMPLIANCE WITH BIA REQUIREMENTS BELOW IS VERIFIED. MFG. RESPONSIBLE FOR PRODUCTION CONTROL.

LOAD AND H.P. CAPACITY • LEVEL FLOTATION  
NAVIGATION LIGHTS • STEERING • ELECTRICAL SYSTEMS  
COMPARTMENT VENTILATION • FUEL SYSTEM

BOATING INDUSTRY ASSOCIATIONS



**PAMPHLETS**

- 12316100 Boat Pamphlet
- 12678000 Owner's Manual
- 15041700 Packing List
- 15041800 Wood Locating Diagram
- 32013100 Owner's Instruction Check Sheet
- 32013200 Poly Envelope 8x10
- 32015400 C.G. 290 Coast Guard Regulation Booklet

**BOSTON WHALER**

This boat is set up for equal length twin cable steering which will service the following outboard engines:  
**Single OMC** using their parallel entry connection kit.  
**Dual OMC** using their parallel entry connection kit and our tiebar kit part no. 15-0416-00.

**Caution!** — do not install dual OMC engines prior to receiving our tiebar kit.


**Single MERCURY** using their single engine twin cable kit.  
**Dual MERCURY** requires one of the cables to be replaced with one 2.5 feet longer and their dual engine, twin cable, compression-tension connection kit (includes tiebar).  
 Engines must be mounted 29 3/4" apart center to center which will require extra length MERCURY components on the tiebar (refer to the compression-tension kit instructions).

12162000

MULTIFORM INDUSTRIES • 1985 • Cleveland, Ohio 44125  
SAE J30 R-7 U.S.C.G. Type B - Fuel Line - BIA Accepted

**DO NOT PULL...**

this cord! The other end terminates under a white plastic cap in the bow locker and it is used for pulling wiring through from locker to console when a pump is installed in the locker.



**NO DRILL**

(Vent hose beneath this cover)

**DO NOT DRILL**

Deeper than 1" within the area of this cover  
(Fuel tank beneath)

12162000

Installation of an in-line fuel filter as recommended by the manufacturer of your outboard motor is advised.

12470100

**WARNING**

LEAKING FUEL IS A FIRE AND EXPLOSION HAZARD. INSPECT SYSTEM REGULARLY. EXAMINE FUEL TANKS FOR LEAKS OR CORROSION AT LEAST ANNUALLY.