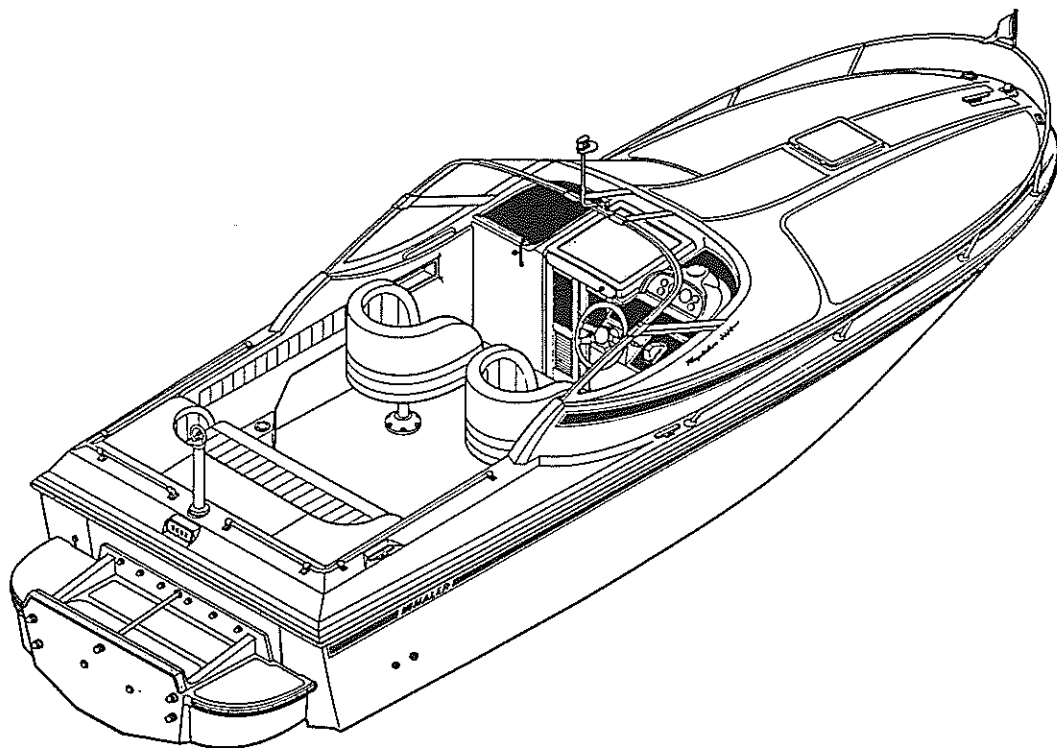


Temptation

~~2200~~

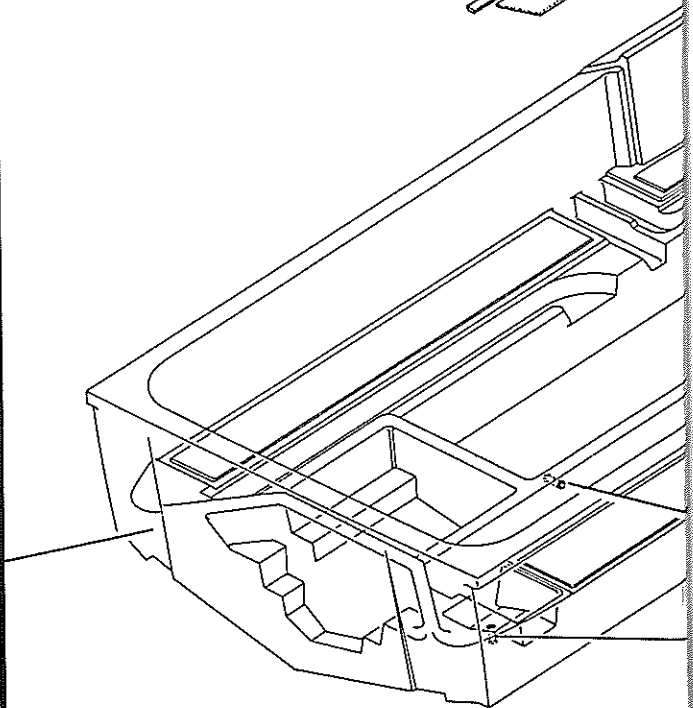
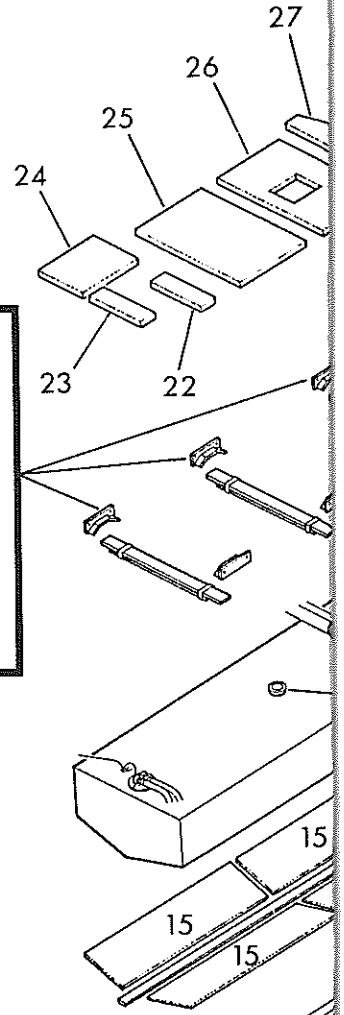
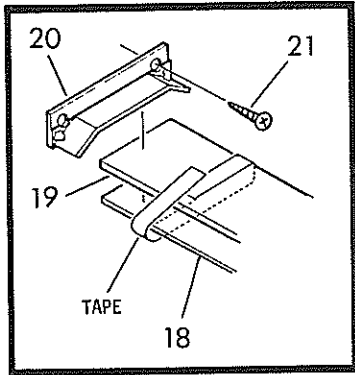
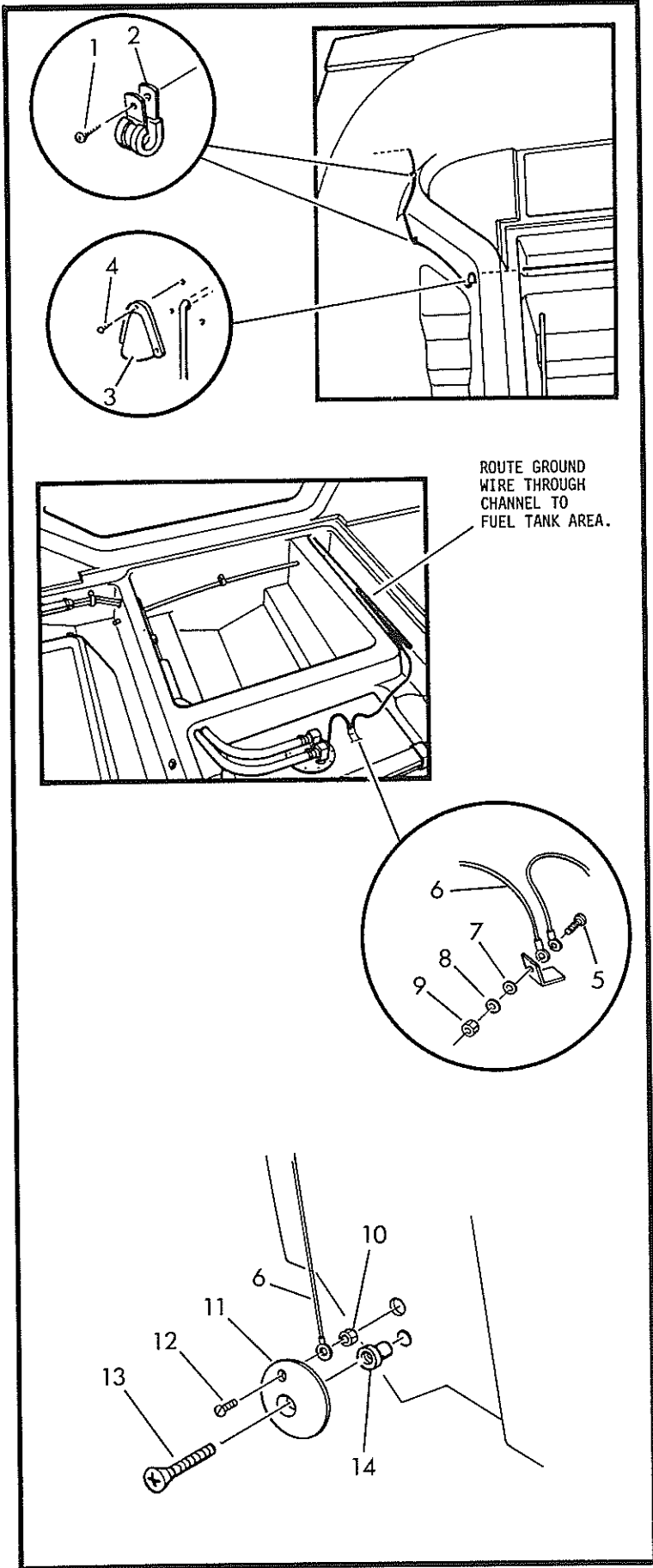
BOSTON
WHALER

a CML Group Company since 1969



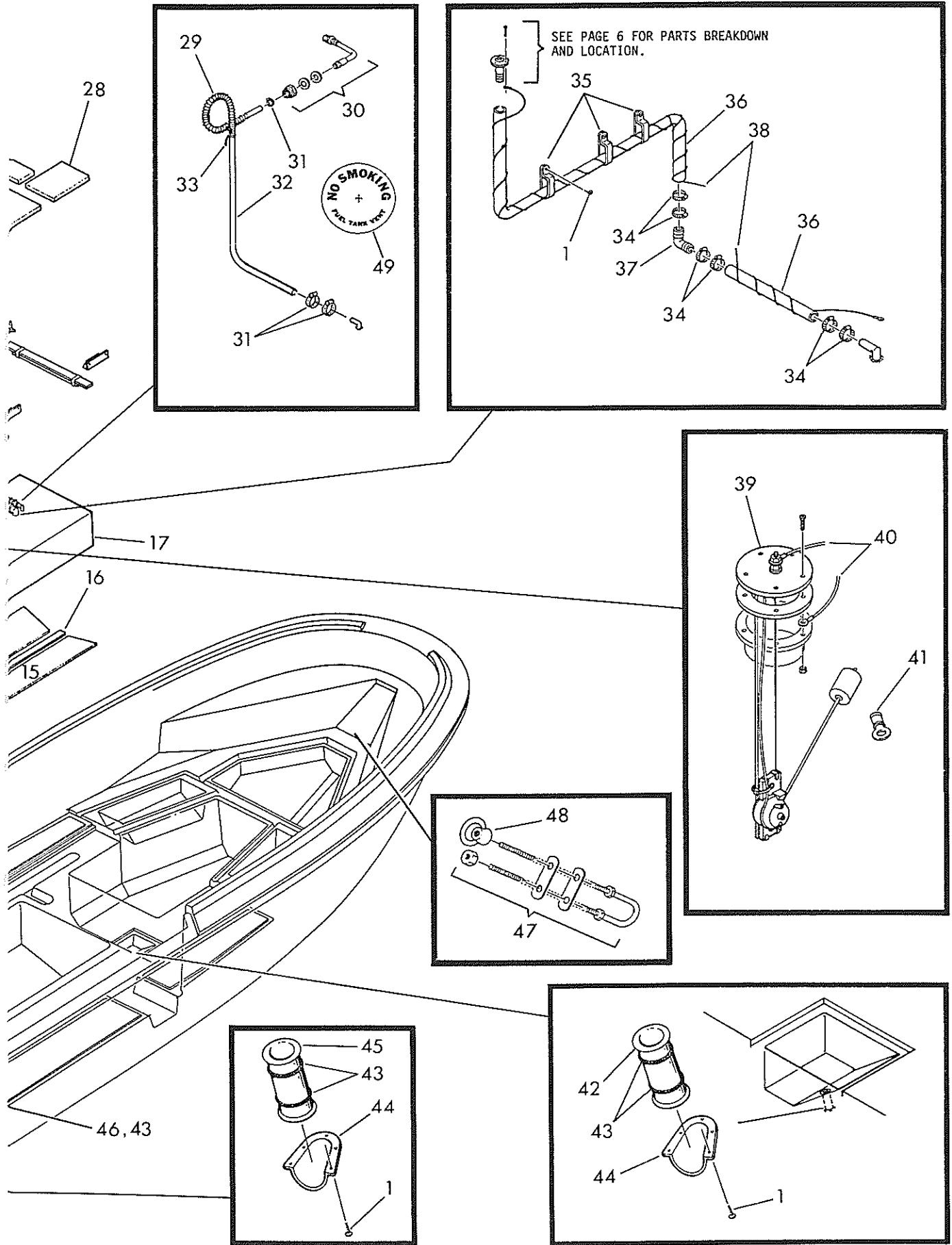
EFFECTIVE 8/87

Det.	Part Number	Qty.	Description
1	82009800	21	Screw, #8x5/8"
2	12136700	3	Clamp, Support
3	12117000	2	Ventilator
4	82068300	6	Screw, #6x1/2"
5	82020700	1	Screw, #10-24x1/2"
6	12158800	1	Wire, Ground, 108"
7	82016400	1	Washer, Flat, #10
8	82016500	1	Washer, Star, #10-Ext.
9	82016300	1	Nut, Hex, #10-24
10	82114300	1	Stopnut, Elastic, Brass, #10-24
11	12171800	1	Plate, Ground
12	82160100	1	Screw, #10-24x1/2"
13	82061100	1	Screw, #1/4-20x1-1/2"
14	82374200	1	Nut, Well, #1/4-20x1"
15	12340900	4	Pad, Fuel Tank
16	12334700	1	Strap, Fuel Tank Support
17	12373500	1	Tank, Fuel, 77 Gallon
18	12334800	3	Strap, Fuel Tank Holddown
19	12331200	3	Strap, Holddown Aluminum
20	12418500	6	Bracket, Fuel Tank Holddown
21	82313800	12	Screw, #14x1"
	12925300	1	Tank Foam Set (consists of seven pieces, details 22-28, and must be in place when an electrical fuel gauge is used)
22	12925306	1	Foam, Tank
23	12925307	1	Foam, Tank
24	12925305	1	Foam, Tank
25	12925304	1	Foam, Tank
26	12925303	1	Foam, Tank
27	12925301	1	Foam, Tank
28	12925302	1	Foam, Tank
29	12791400	1	Spring, Vent
30	12298900	1	Fitting, Vent
31	12126000	3	Clamp, Vent Hose
32	43022700	1	Hose, Vent, Type A, 73"
33	12180902	1	Tie, Tyrap
34	12126200	6	Clamp, Fill Hose
35	12253800	3	Clamp
36	43041800	1	Hose, Fuel Fill, Type A, 120"
37	12908400	1	Elbow, 1-1/2" Barbed
38	12334500	1	Wire, Ground, 6'
39	12923200	1	Sender, Fuel Gauge, Electric
40	12622700	1	Harness, Sender (cut in half)
41	12018200	2	Terminal, Wire (attach to bare leads on Harness 12-6227-00, detail 40.)
42	12012900	1	Tube, Drain, 4-7/8"
43	12008900	6	O-Ring, Neoprene
44	12160800	3	Ventilator
45	12543800	1	Tube, Drain, 3-3/4"
46	12294700	1	Tube, Drain, Aluminum, 3-3/4"
47	12716200	1	Eye, Bow
48	12017800	1	Nut, Eye, Chrome, 1/2"
49	12162200	1	Label, No Smoking



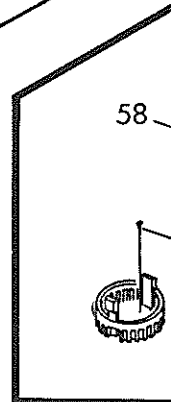
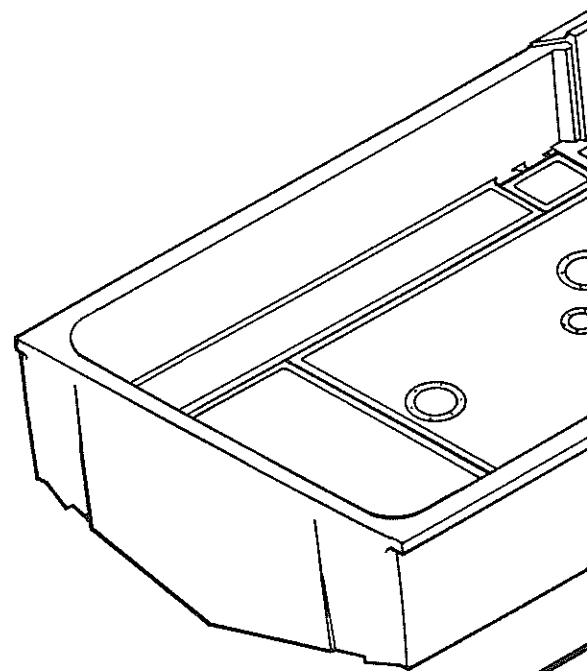
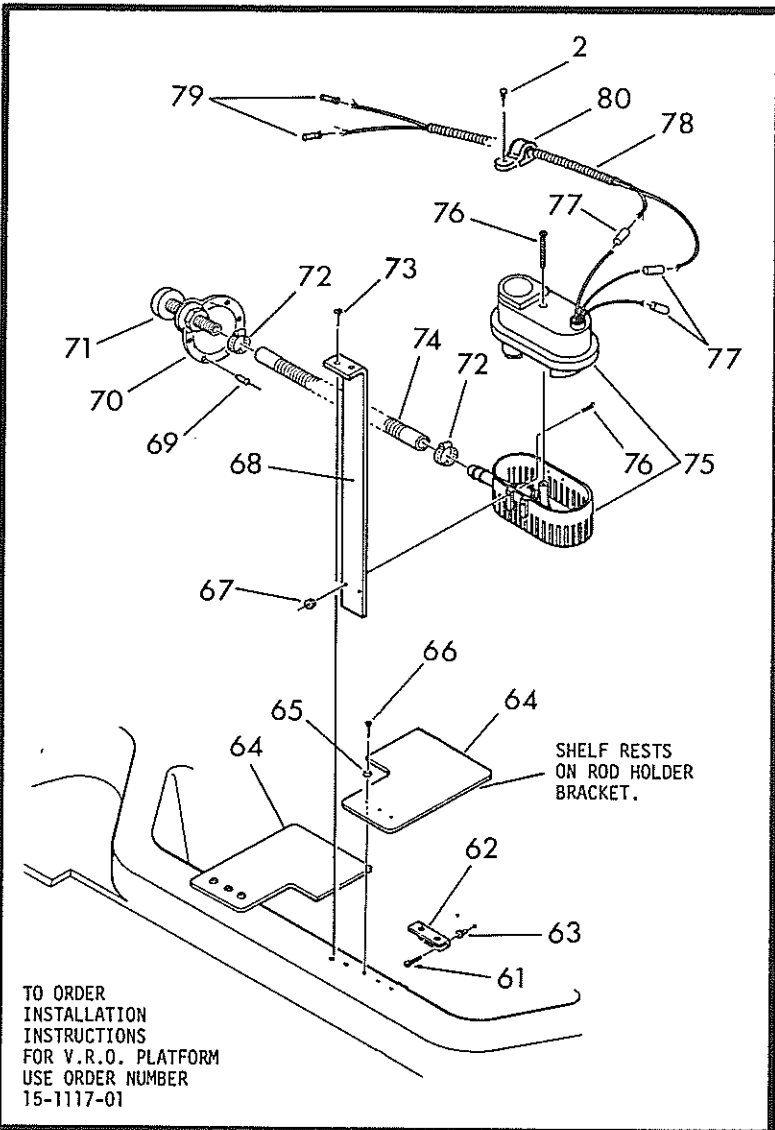
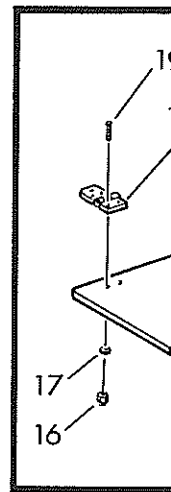
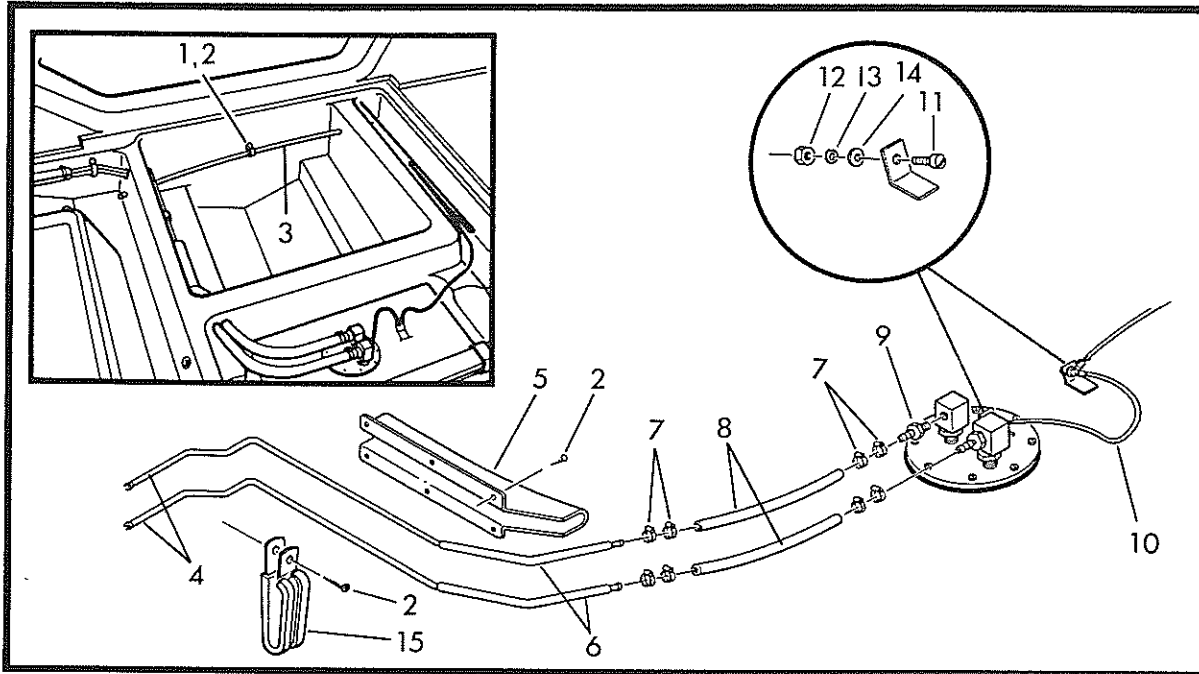
Temptation

2200



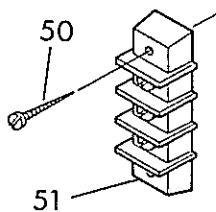
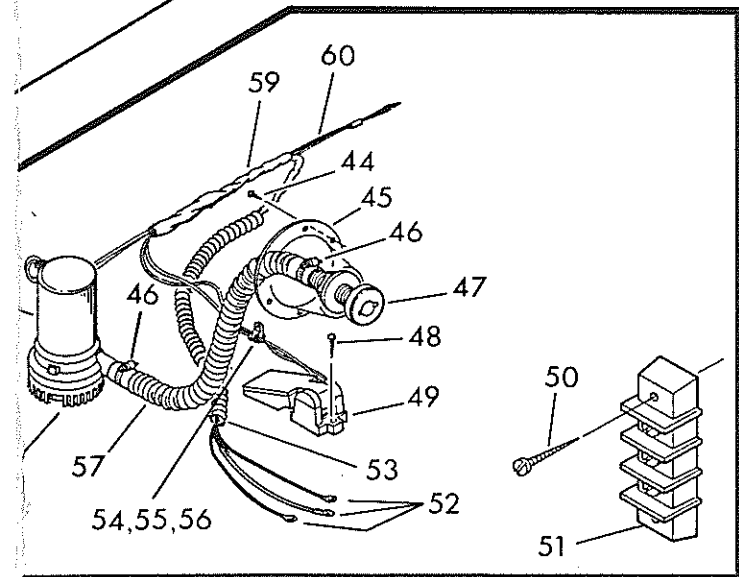
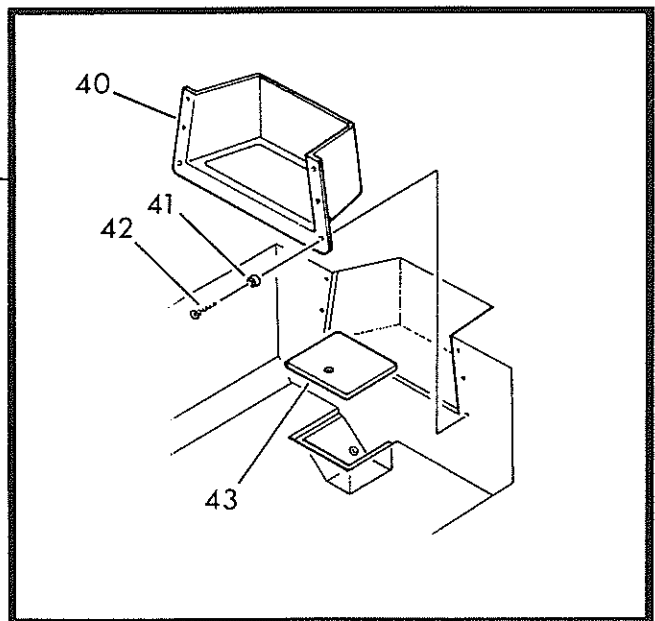
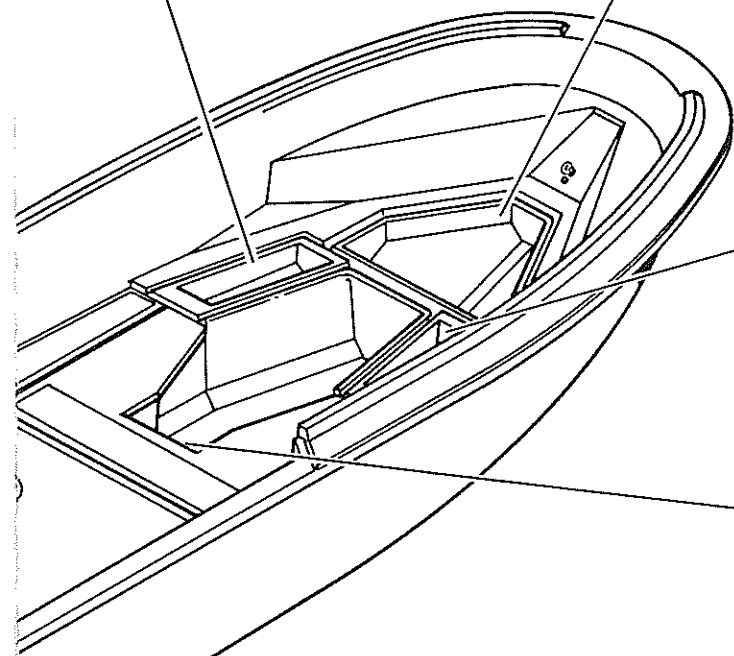
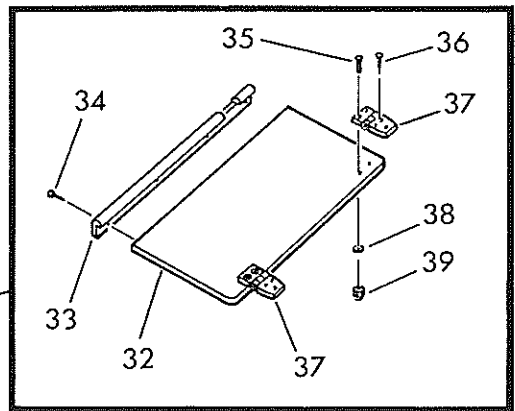
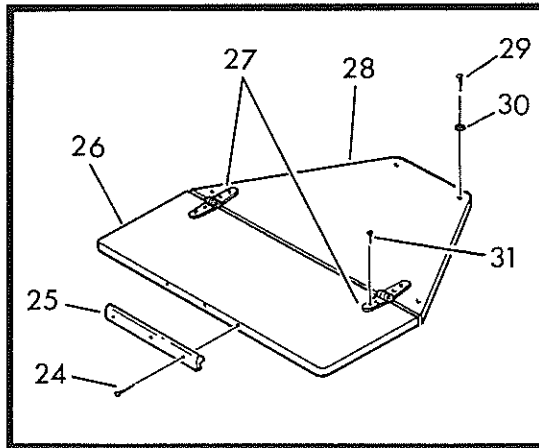
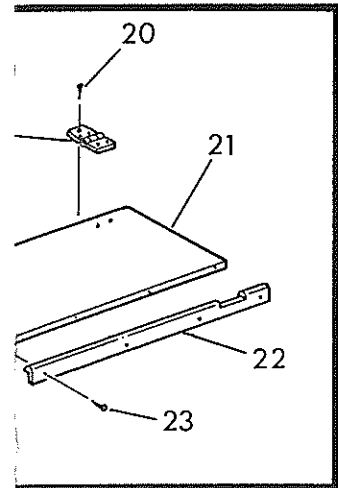
Det.	Part Number	Qty.	Description
1	12427100	1	Clip, Line Support
2	82009800	25	Screw, #8x5/8"
3	43029000	1	Tube, P.V.C. 1/2"x4 ft.
4	12923500	2	Fuel Line, Copper
5	12342100	1	Guard, Fuel Line
6	43034100	2	Shrink Tube, 1/2"x9", Black
7	12127600	8	Clamp, Hose, Fuel Line
8	43020600	2	Hose, Fuel Line, 24"
9	12127400	2	Barb, Male
10	12426000	1	Wire, Ground, 12"
11	82020700	2	Screw, #10-24x1/2"
12	82016300	2	Nut, Hex Head, #10-24
13	82016500	2	Washer, Lock, #10 Ext.
14	82016400	2	Washer, Flat, #10
15	12127300	4	Clip
	62355400	1	Rope Locker Cover Assembly (includes parts 16-23.)
16	82158400	4	Stopnut, Elastic, Brass, #8-32
17	82062500	4	Washer, Flat, #8
18	12113000	1 pr.	Hinge
19	82061600	4	Screw, #8-32x1"
20	82010100	6	Screw, #8x3/4"
21	62355401	1	Cover, Locker, Rope, Port
22	62504500	1	Molding
23	82011500	4	Screw, #8x1"
	62355600	1	Anchor Locker Cover Assembly (includes parts 24-31.)
24	82068500	3	Screw, #10x1-1/4"
25	62504500	1	Molding
26	62355602	1	Cover, Bow Locker, Aft.
27	12140500	1 pr.	Hinge, Strap
28	62355601	1	Cover, Bow Locker, Forward
29	82009600	4	Screw, #10x1-1/2"
30	82002800	4	Washer, Finish, #10
31	82104900	8	Screw, #10x3/4"
	62355700	1	Rope Locker Cover Assembly (includes parts 32-39.)
32	62355401	1	Cover, Locker, Rope, Stbd.
33	62504500	1	Molding
34	82011500	4	Screw, #8x1"
35	82061600	4	Screw, #8-32x1"
36	82010100	6	Screw, #8x3/4"
37	12113000	1 pr.	Hinge
38	82062500	4	Washer, Flat, #8
39	82158400	4	Stopnut, Elastic, Brass, #8-32
40	22913700	1	Step, Cabin
41	82002800	6	Washer, Finish, #10
42	82372300	6	Screw, #10x1-3/4"
43	62363400	1	Cover, Sump, Cabin
44	82033700	6	Rivet, Pop, 3/16x1/2" Grip
45	12321500	1	Cup, Bilge Pump
46	12155900	2	Clamp, Hose
47	12155300	1	Fitting, Thru Hull
48	82183200	2	Screw, #8x1"
49	12150000	1	Switch, Float

Det.	Part Number	Qty.	Description
50	82183200	2	Screw, #8x1"
51	12947600	1	Terminal Strip
52	12018200	3	Terminal, Ring
53	43040500	1	Tubing, Convoluted, 1/4"x32"
54	12253800	1	Clamp
55	82017600	1	Screw, #10-32x1-1/4"
56	82072700	1	Nut, Well, #10
57	43016400	1	Hose, 2 ft.
58	12149900	1	Pump, Bilge
59	43045600	1	Tubing, Shrink, 1/4"x12"
60	12150200	1	Harness, Wiring
61	82062200	4	Screw, #10-32x1"
62	12140300	2	Bracket, Rod Holder
63	82072700	4	Nut, Well, #10
64	62662200	2	Platform, V.R.O.
65	82004500	6	Washer, Finish, #12 (3 each platform.)
66	82109300	6	Screw, #14x1-1/2" (3 each platform.)
67	82062600	2	Nut, Hex, #8-32
68	12931800	1	Bracket, Bilge Pump
69	82033700	6	Rivet, Pop, 3/16x1/2" Grip
70	12321500	1	Cup, Bilge Pump
71	12493700	1	Fitting, Thru Hull
72	12126000	2	Clamp, Vent Hose
73	82942700	2	Screw, #10x1-1/2"
74	43016300	1	Hose, 5 ft.
75	12905200	1	Pump, Well, Motor
76	82063600	2	Screw, #8-32x3/4"
77	43045600	1	Tubing, Shrink, 1/4"x6"
78	43040500	1	Tubing, Convoluted, 55"
79	12044200	2	Splice, Terminal, Blue
80	12253800	5	Clamps



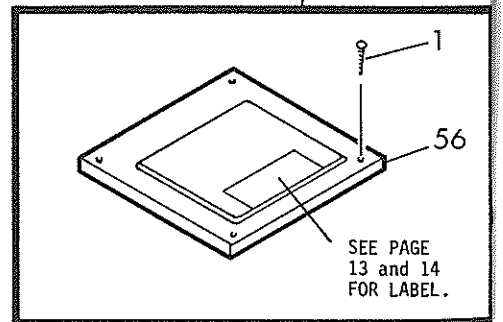
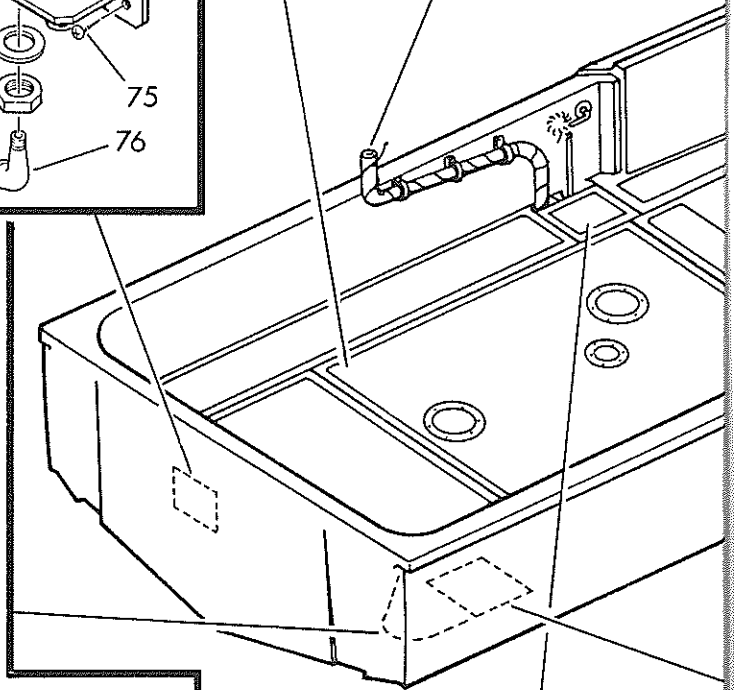
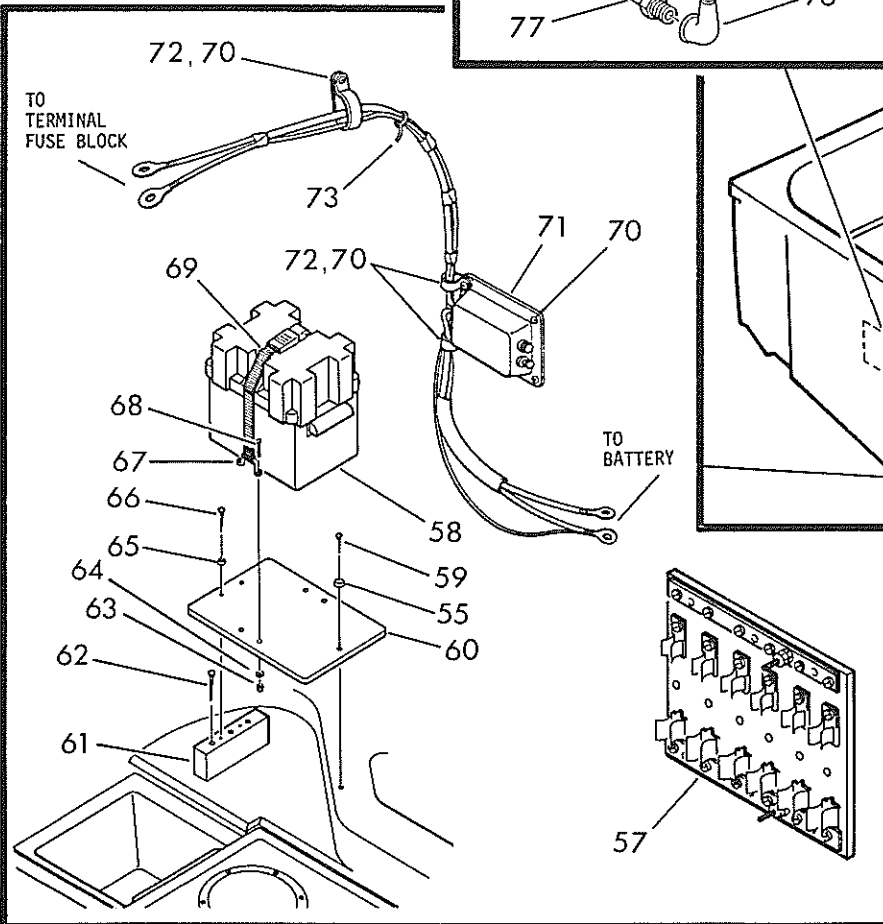
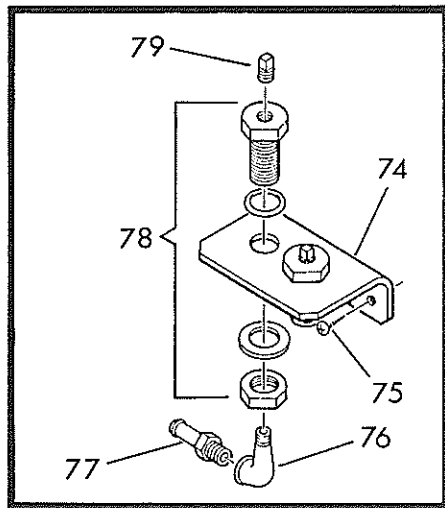
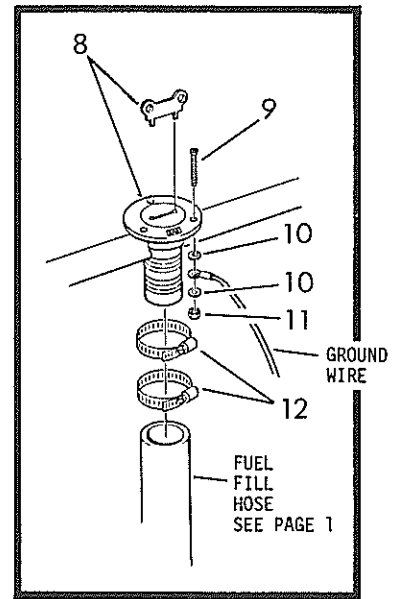
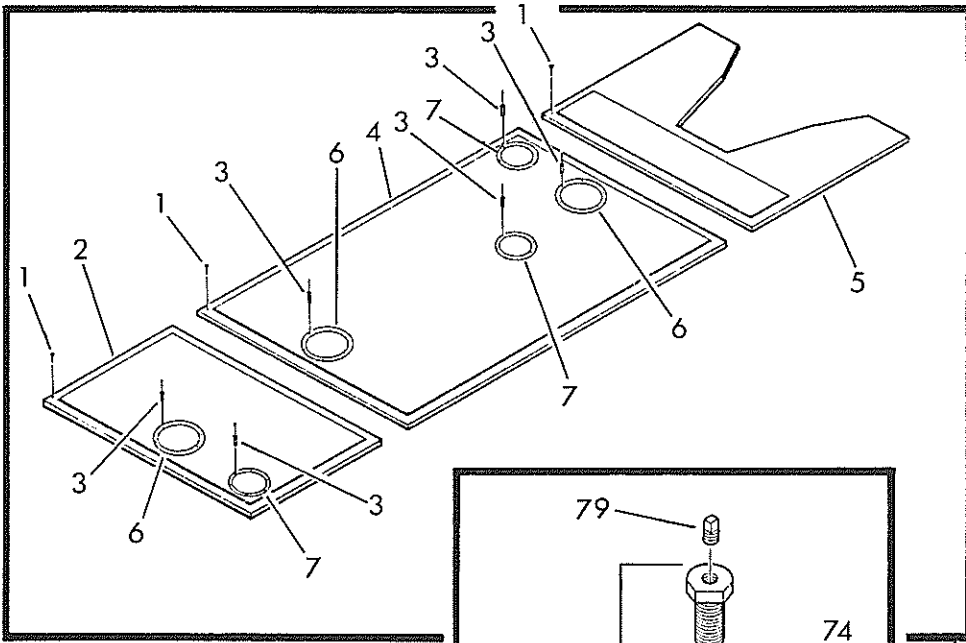
Temptation

2200



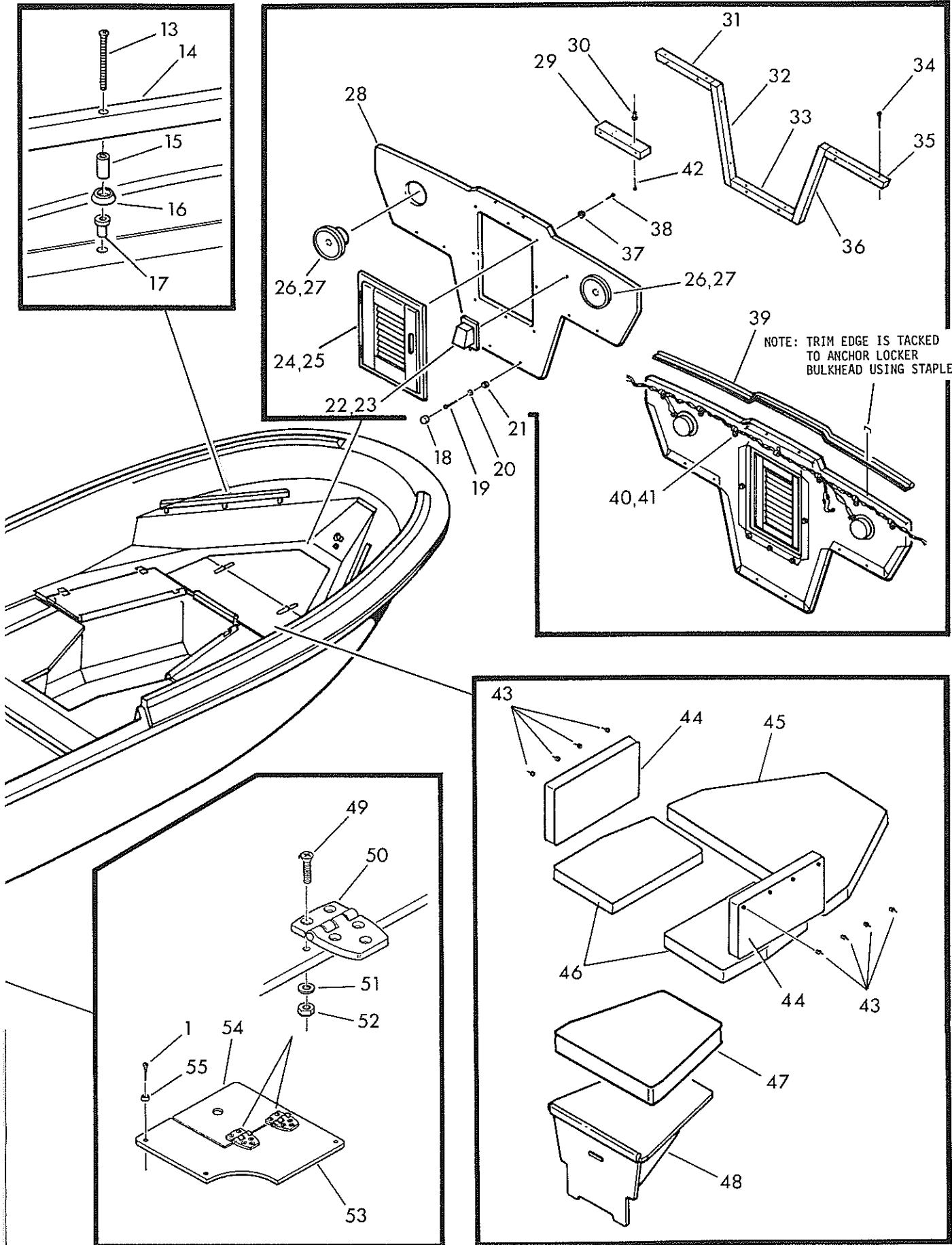
Det.	Part Number	Qty.	Description
1	82372300	102	Screw, #10x1-3/4"
2	22913300	1	Cover, Aftwell
3	82150800	36	Rivet, Pop, 3/16x3/8" Grip
4	22913100	1	Cover, Main, Fuel Tank
5	22913200	1	Section, Forward Floor
6	12793600	3	Port, 8" Access, Grey
7	12793500	3	Port, 6" Access, Grey
8	12581500	1	Fill, Gas
9	82019801	3	Screw, #10-24x1-1/2"
10	82114200	6	Washer, Flat
11	82114300	3	Stopnut, Elastic, Brass, #10-24
12	12126200	2	Clamp, Fill Hose
13	82355500	6	Screw, #10-32x3"
14	62354900	2	Rail, Retainer
15	72357200	6	Support, Rail Retainer
16	82093200	6	Washer, Finish, #5/16"
17	82072700	6	Nut, Well, #10S
18	82946300	8	Cap, Aluminum Tone
19	82312600	8	Screw, #10x1-1/2"
20	82946200	8	Washer, Snap Cap
21	82016400	8	Washer, Flat, #10
22	12356000	1	Light, Cabin, Interior
23	82009800	2	Screw, #8x5/8"
24	62915900	1	Door, Anchor Locker
25	12517600	1	Latch, Door, Brass
26	12909900	2	Speakers, Stereo
27	82073500	8	Screw, #8x1/2" (4 each speaker.)
28	12905900	1	Bulkhead, Anchor Locker
29	62430600	1	Cleat
30	82136900	4	Nut, Well, #B-832
31	62703700	1	Cleat, Anchor Locker
32	62703400	1	Cleat, Anchor Locker
33	62703600	1	Cleat, Anchor Locker
34	82009600	10	Screw, #10x1-1/2"
35	62703800	1	Cleat, Anchor Locker
36	62703500	1	Cleat, Anchor Locker
37	82593800	8	Washer, Finish, #8
38	82183200	8	Screw, #8x1"
39	12914700	1	Hidem, Trim, 65" (staple to back of Anchor Locker Bulkhead.)
40	82009800	7	Screw, #8x5/8"
41	12136700	7	Clamp, Support
42	82079100	4	Screw, #8-32x1-1/4"
43	82162500	8	Snap, Glove, #12
44	12926200	2	Cushion, Backrest
45	12926100	1	Cushion, Bow
46	12926300	2	Cushion, Side
47	12926400	1	Cushion, Table
48	12935900	1	Table, Cockpit
	62948800	1	Aft Sump Cover Assembly (includes parts 49-54.)
49	82660900	10	Screw, #8-32x7/8"
50	12113000	1 pr.	Hinge

Det.	Part Number	Qty.	Description
51	82062500	10	Washer, Flat, #8
52	82158400	10	Stopnut, Elastic, Brass, #8-32
53	62948802	1	Cover, Sump, Aft
54	62948801	1	Cover, Finger Hole
55	82002800	5	Washer, Finish, #10
56	22917100	1	Cover, Vent Tunnel (shown)
	22917200	1	Cover, Wire Tunnel (not shown)
57	12242500	1	Block, Fuse, Terminal
58	12348700	1	Box, Battery
59	82009900	1	Screw, #10x1"
60	22657200	1	Shelf, Battery
61	62948900	1	Cleat, Shelf, Battery Box
62	82239600	3	Screw, #14x3"
63	82114300	4	Stopnut, Elastic, Brass, #10-24
64	82114200	4	Washer, Brass, #10
65	82002800	2	Washer, Finish, #10
66	82372300	2	Screw, #10x1-3/4"
67	12354100	2	Strap, Deck
68	82093900	4	Screw, #10-24x3/4"
69	12354000	1	Strap, Holddown
70	82009800	4	Screw, #8x5/8"
71	12947100	1	Harness, Power w/Fuse and Circuit Breaker
72	12127300	5	Clamp, Support
73	12180902	20	Ties, Tyrap
74	12954100	1	Bracket, Fuel Connection
75	82074200	2	Screw, #10x1"
76	12209700	2	Elbow, Street, 1/4"
77	12127400	2	Barb, Male
78	12127500	2	Fitting, Bulkhead
79	12308900	2	Plug, Brass

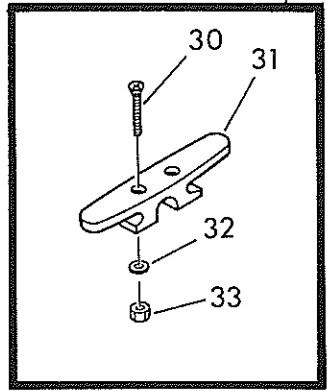
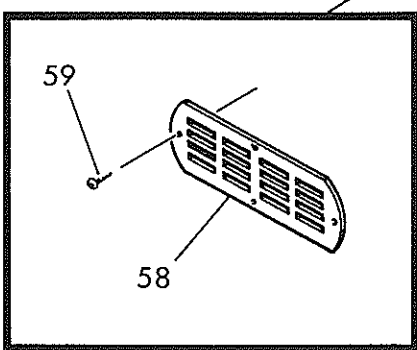
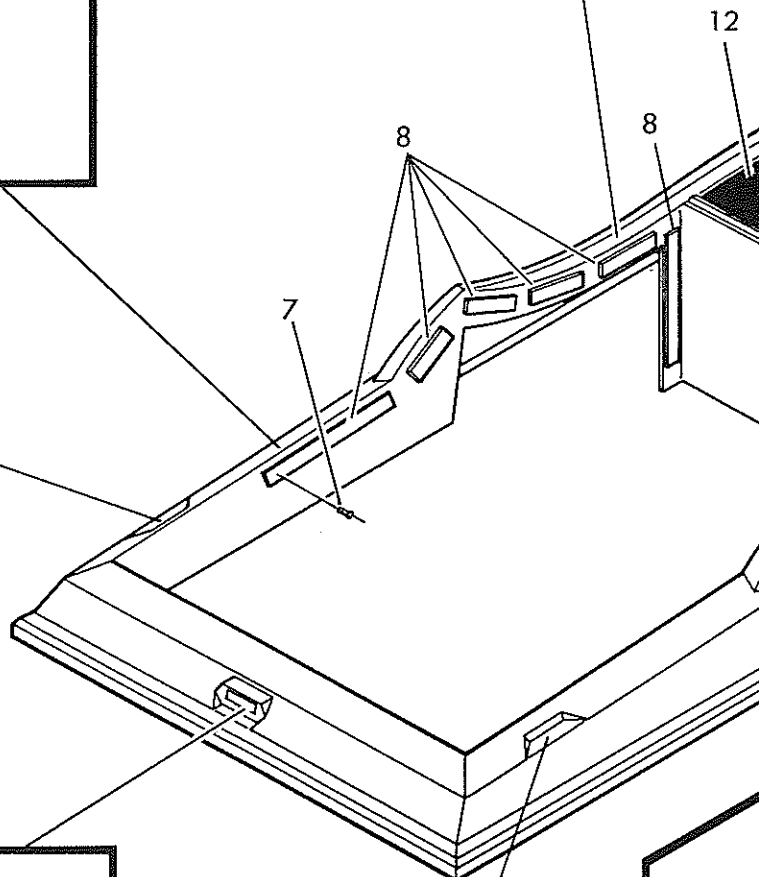
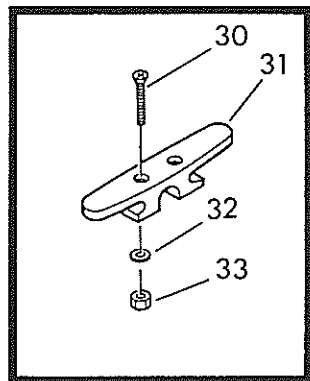
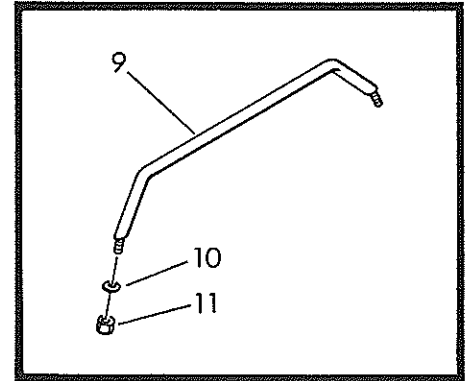
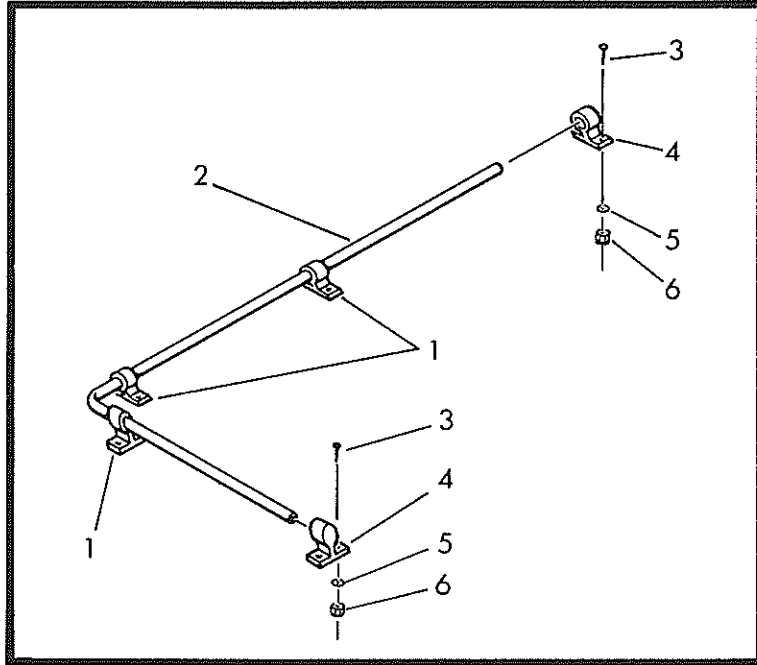


Temptation

2200

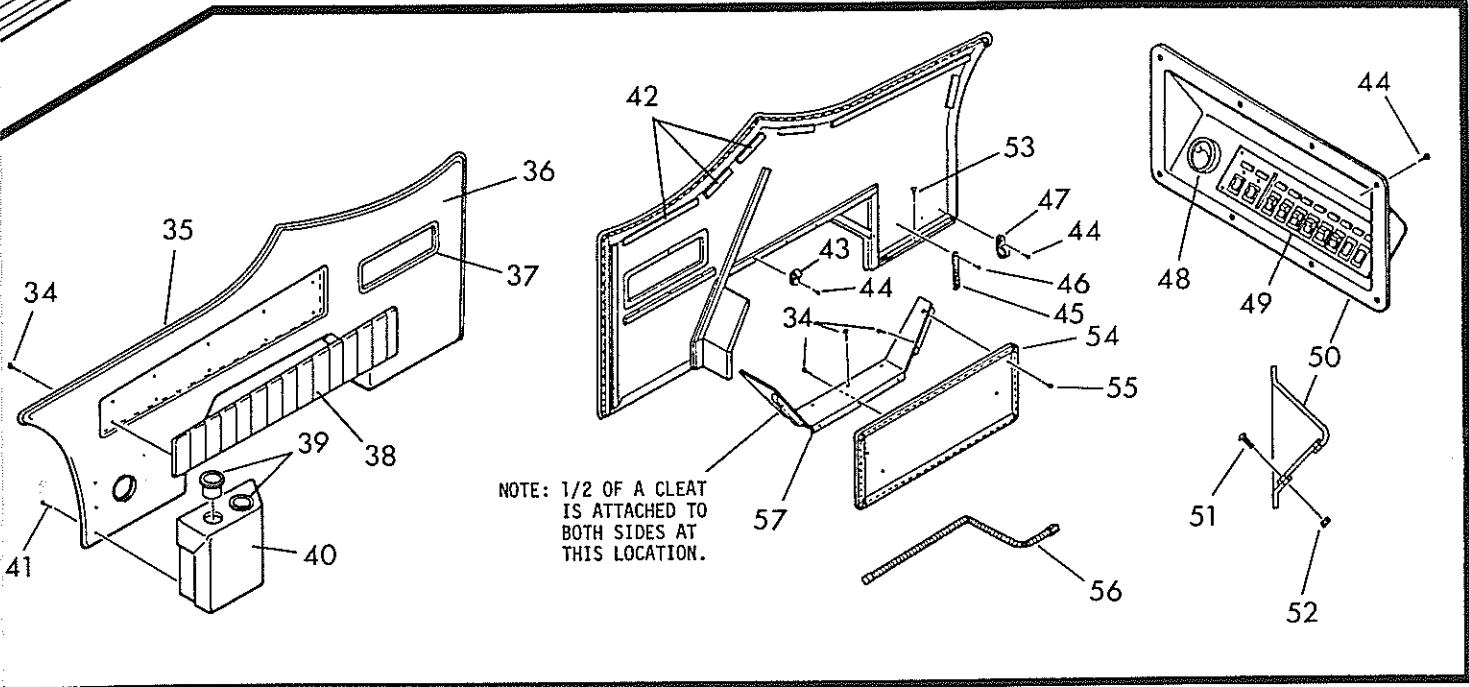
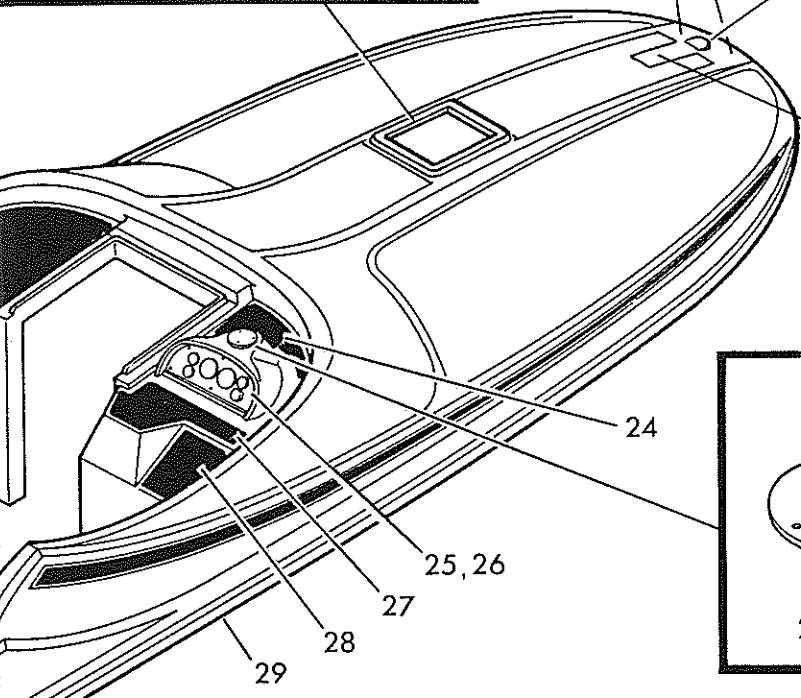
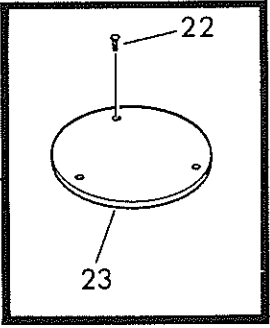
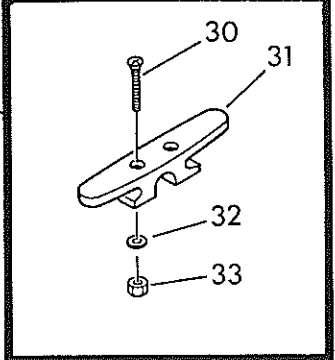
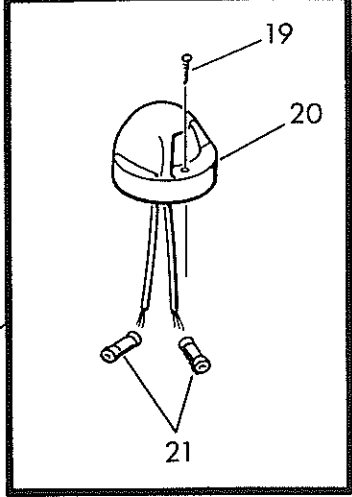
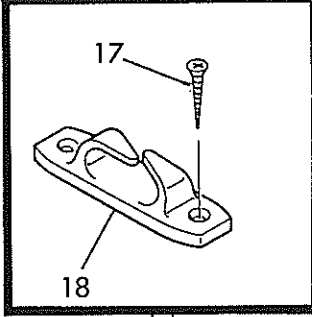
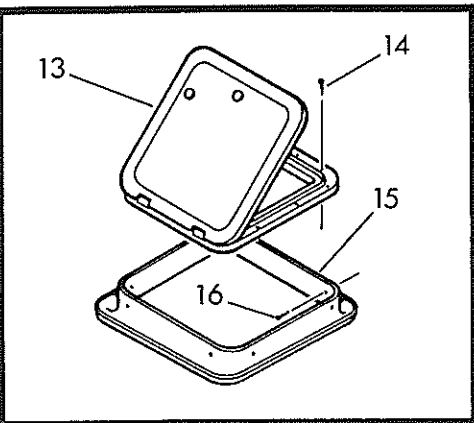


Det.	Part Number	Qty.	Description	Det.	Part Number	Qty.	Description
1	72529500	6	Support, Stanchion, 60 Degree (3 each side - Port and Stbd.)	41	82009900	12	Screw, #10x1" (6 each Panel - Port and Starboard.)
2	72797600	2	Rail, Stern (1 Port and 1 Stbd.)	42	43042600	2	Velcro, Hook, 1-3/4" (118" Port and 94" Starboard.)
3	82019801	20	Screw, #10-24x1-1/2" (10 each side - Port and Stbd.)	43	12120600	8	Clips, "P" (4 each side - Port and Starboard.)
4	72529600	4	Support, Stanchion, End, 60 Degree (2 each side - Port and Stbd.)	44	82009800	22	Screw, #8x5/8" (7 each side-Port and Starboard.)
5	82114200	20	Washer, Flat, Brass, #10x7/16" (10 each side - Port and Stbd.)	45	12949300	2	Strap, Velcro
6	82114300	20	Stopnut, Elastic, Brass, #10-24 (10 each side - Port and Stbd.)	46	82092700	2	Screw, #6x1/2" (1 each side-Port and Starboard.)
7	82232200	140	Rivet, Pop, Aluminum, 1/8"x3/8" (70 each side - Port and Stbd.)	47	12127300	4	Clip, "P", 1-1/2" (2 each side-Port and Starboard.)
8	43042700	206	Velcro, Loop, 1-3/4" (103" each side - Port and Stbd.)	48	12340000	1	Gauge, Fuel (on Starboard Panel only.)
9	72797700	1	Rail, Grab	49	12907500	1	Panel, Switch (on Starboard Panel only.)
10	82205300	2	Washer, Flat, Brass, #5/16"	50	12932000	1	Pocket, Switch Panel (on Starboard Panel only.)
11	82010400	2	Locknut, Brass, #5/16"	51	82063700	4	Screw, #6-32x5/8"
12	12799800	1	Cover, Dash, Port	52	82145300	4	Stopnut, Elastic, Brass, #6-32NM
13	12792600	1	Hatch, Ventilator	53	82372300	2	Screw, #10x1-3/4" (1 each Panel - Port and Starboard.)
14	82183200	12	Screw, #8x1"	54	12902900	1	Pad, Pocket (Port Panel only.)
15	12947200	1	Ring, Trim, Hatch	55	82557500	4	Screw, #8x1-1/4"
16	82184000	8	Screw, #6x5/8"	56	12948300	1	Tube, Mood Light, Port
17	82923900	4	Screw, #12x1-1/2" (2 each - Port and Starboard.)		12948400	1	Tube, Mood Light, Stbd.
18	12605200	1	Chock, Open, Port	57	12706500	2	Shelf, Pocket
	12605300	1	Chock, Open, Starboard	58	12794500	1	Ventilator, Transom
19	82797800	2	Screw, #6x1-1/2"	59	82183200	4	Screw, #8x1"
20	12008400	1	Light, Bow				
21	12044200	2	Splice, Terminal, Blue				
22	82161100	3	Screw, #6x1"				
23	12916100	1	Plate, Compass				
24	12900000	1	Cover, Dash, Forward, Stbd.				
25	12900300	1	Panel, Instrument				
26	82531900	6	Screw, #6x1/2"				
27	12900100	1	Cover, Dash, Aft. Starboard				
28	12900200	1	Cover, Control, Engine				
29	22900900	1	Topskin, Cabin				
30	82116600	10	Screw, #1/4-20x3" (2 each Cleat.)				
31	12531500	5	Cleat, 6"				
32	82035200	10	Washer, Flat, #1/4" (2 each Cleat.)				
33	82150900	10	Stopnut, Elastic, Brass, #1/4-20 (2 each Cleat.)				
34	82074200	24	Screw, #10x1" (14 Port and 10 Starboard.)				
35	43043100	2	Welting, Vermillion Red (3.611 yds. Port and 3.277 yds Stbd.)				
36	12902600	1	Panel, Side, Upholstered, Port				
	12902700	1	Panel, Side, Upholstered, Stbd.				
37	43044900	2	Edge, Trim, Black, 1/2", 3.750' (port and Starboard.)				
38	12902800	2	Panel, Recessed (1 each side Panel - Port and Stbd.)				
39	12678100	4	Holder, Drink (2 each Drink Holder - Port and Stbd.)				
40	12908100	1	Box, Holder, Drink, Port				
	12908200	1	Box, Holder, Drink, Stbd.				



Temptation

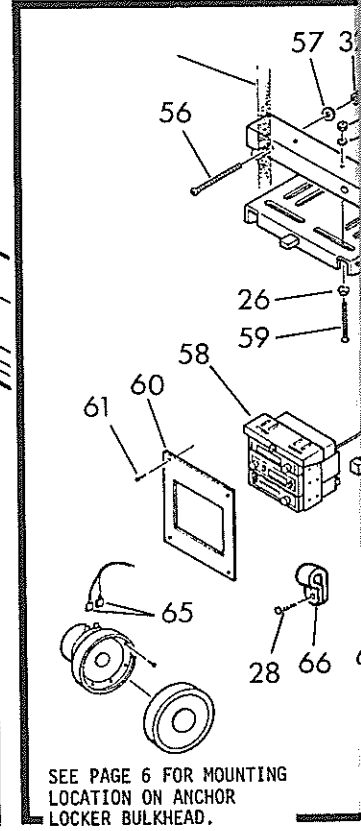
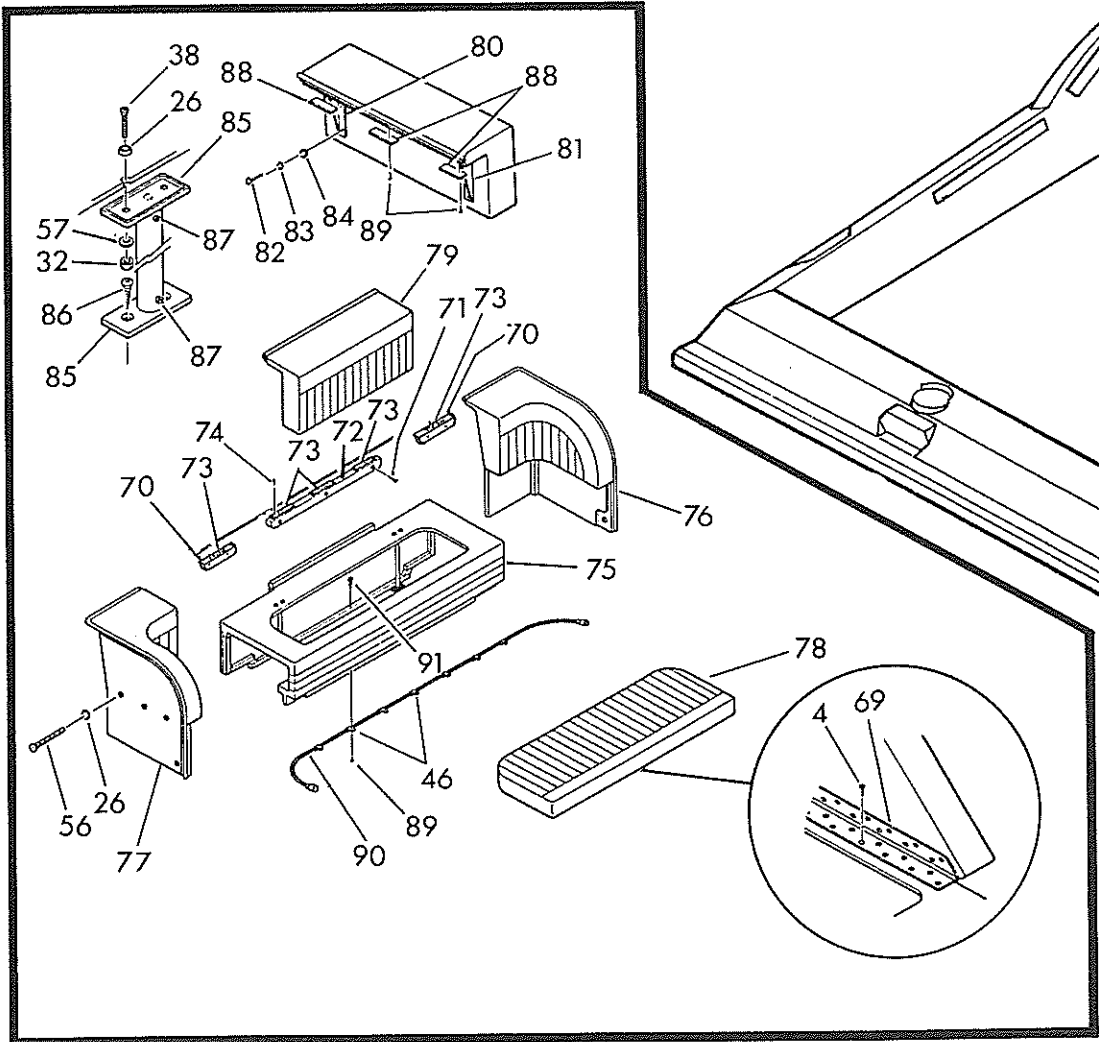
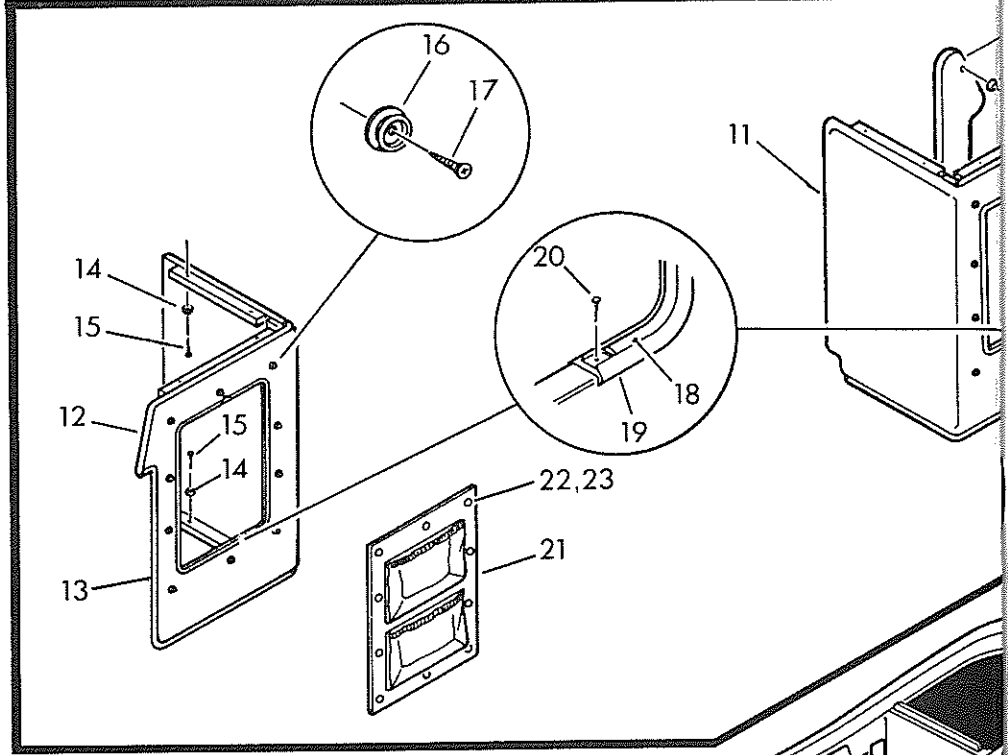
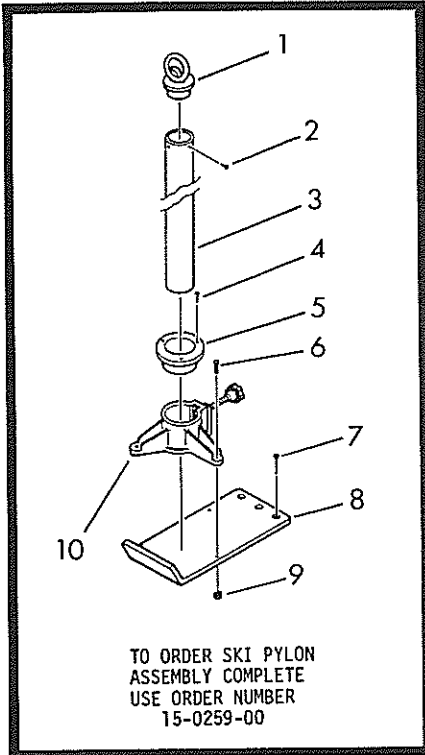
2200



NOTE: 1/2 OF A CLEAT IS ATTACHED TO BOTH SIDES AT THIS LOCATION.

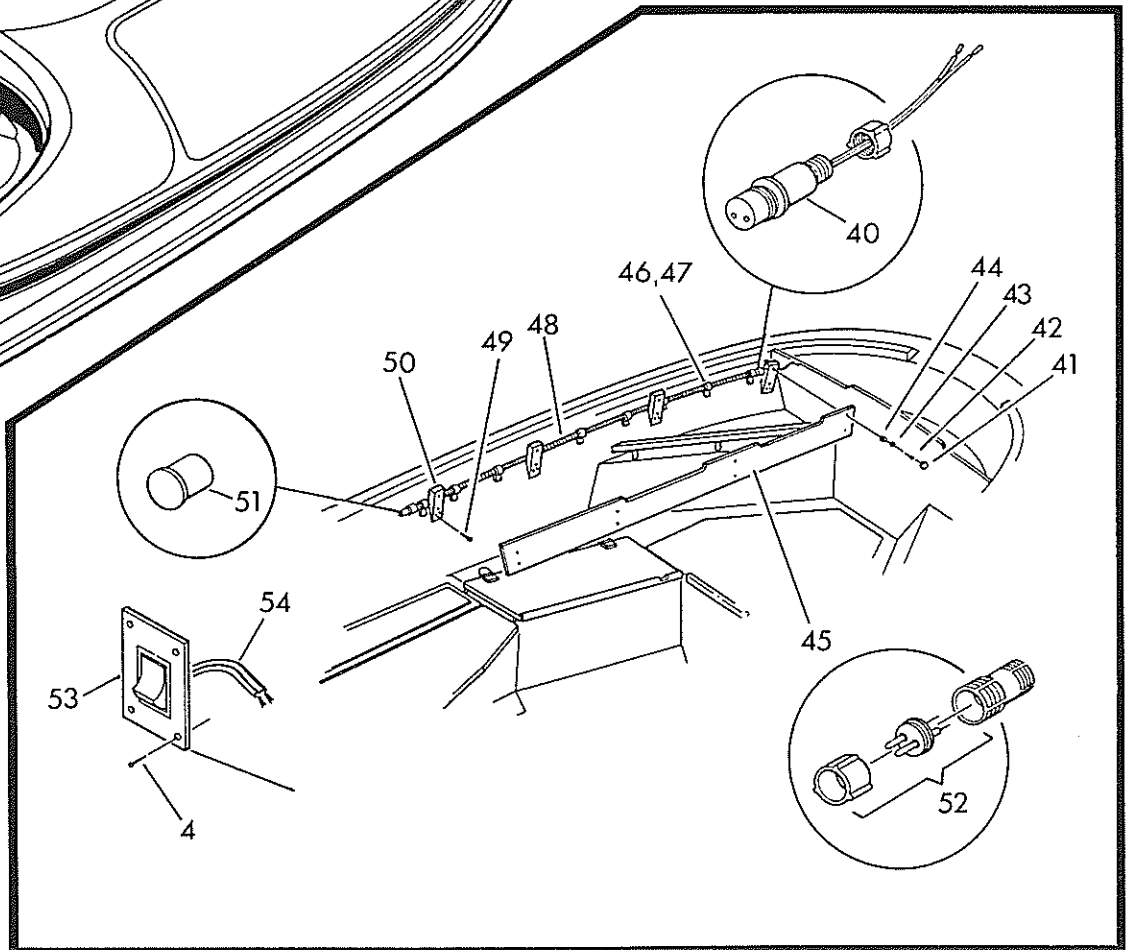
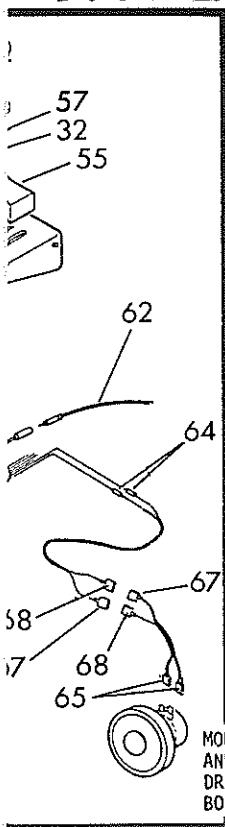
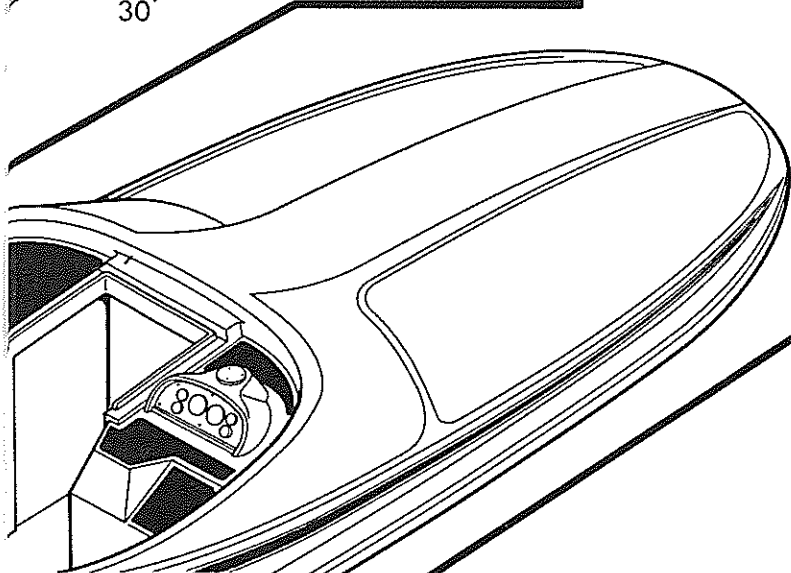
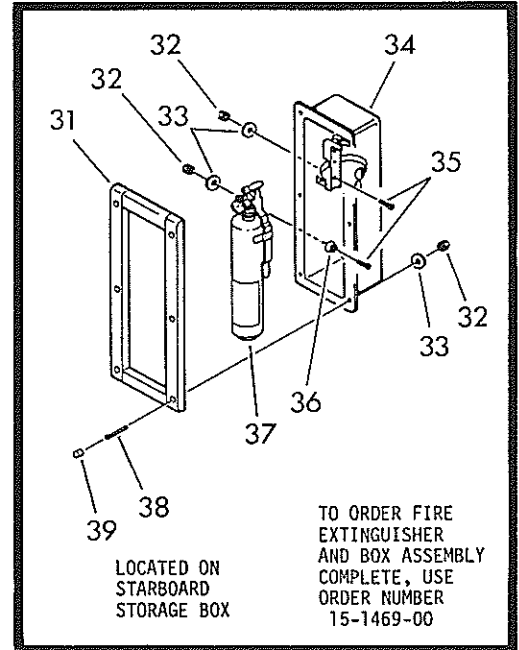
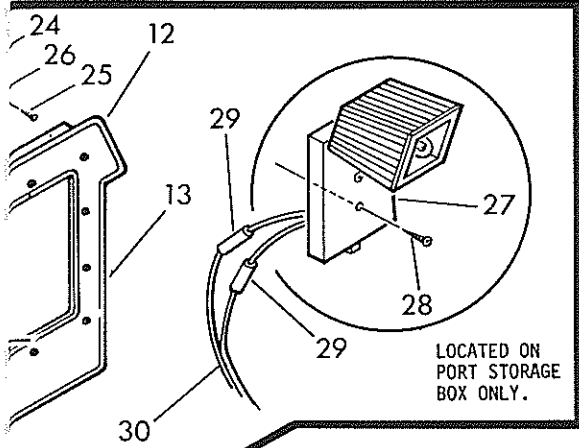
Det.	Part Number	Qty.	Description
1	12269100	1	Tow, Ski, Stainless Steel
2	82081000	3	Screw, #1/4"-20x3/4"
3	12267500	1	Tube, Ski Hitch
4	82161100	69	Screw, #6x1"
5	12530400	1	Collar, Ski Post
6	82202900	3	Screw, #1/4"-20x1"
7	82109300	6	Screw, #14x1-1/2"
8	12914400	1	Plate, Base, Ski Post
9	82150900	3	Stopnut, Elastic, Brass, #1/4-20
10	12535600	1	Spider, Flat, w/Lock Knob
11	12905000	1	Box, Storage, Port
	12905100	1	Box, Storage, Starboard
12	12914600	2	Trim, Hidem, 40" (1 each - Port and Starboard.)
13	12914900	2	Trim, Hidem, 65" (1 each - Port and Starboard.)
14	82002800	16	Washer, Finish, #10 (8 each Storage Box - Port and Starboard.)
15	82942700	16	Screw, #10x1-1/2" (8 each Storage Box - Port and Starboard.)
16	82173500	20	Snap, Glove, #BS 10370 (10 each Storage Box - Port and Starboard.)
17	82161100	20	Screw, #6x1" (10 each Storage Box - Port and Starboard.)
18	43043800	2	Trim, Insert, Vinyl (1 each Storage Box - Port and Starboard.)
19	43043700	2	Trim, Bulkhead (1 each Storage Box - Port and Starboard - 61.5".)
20	82092700	20	Screw, #6x1/2" (10 each Storage Box - Port and Starboard.)
21	12916600	2	Cover, Soft Pocket (1 each Storage Box - Port and Starboard.)
22	82163200	20	Button, Durable, #X2-10128 (10 each Soft Pocket Cover - Port and Stbd.)
23	82163100	20	Socket, Durable, #XB-10224 (10 each Soft Pocket Cover - Port and Stbd.)
24	12905600	1	Panel, Closeout, Port
25	82942700	2	Screw, #10x1-1/2"
26	82002800	16	Washer, Finish, #10
27	12356000	1	Light, Cabin Interior
28	82009800	6	Screw, #8x5/8"
29	12044200	2	Splice, Terminal, Blue
30	43001100	1	Cord, Zip (2 Strand), 14'
31	62950300	1	Frame, Fire Extinguisher Box
32	82114300	25	Stopnut, Elastic, Brass, #10-24
33	82091700	9	Washer, Flat
34	12950500	1	Box, Fire Extinguisher, Grey
35	82098200	3	Screw, #10-24x1"
36	12019901	1	Bumper, Black
37	12012400	1	Extinguisher, Fire, w/Bracket
38	82118700	10	Screw, #10-24x1-1/4"
39	62158200	6	Bung, Teak
40	12912100	2	Connector, Power (1 each side- Port and Starboard.)
41	82946100	16	Cap, Aluminum Tone (8 each Panel - Port and Starboard.)
42	82183200	16	Screw, #8x1" (8 each Panel - Port and Starboard.)
43	82016400	16	Washer, Flat, #10 (8 each Panel - Port and Starboard.)

Det.	Part Number	Qty.	Description
44	82946000	16	Washer, Cap, Snap (8 each Panel - Port and Starboard.)
45	12905700	1	Panel, Mood Light, Port
	12905800	1	Panel, Mood Light, Starboard
46	12127300	23	Clip, "P" (8 each side - Port and Starboard.)
47	82009800	23	Screw, #8x5/8" (8 each side - Port and Starboard.)
48	12950700	1	Light, Cabin Mood, Port
	12950800	1	Light, Cabin Mood, Starboard
49	82372300	16	Screw, #10x1-3/4" (8 each side - Port and Starboard.)
50	62916400	8	Cleat, Panel, Mood Light (4 each side - Port and Stbd.)
51	12912300	3	Cap, End, Mood Light
52	12912201	4	Connector, Male Splice
53	12910800	1	Plate, Switch, Mood Light
54	43001100	1	Cord, Zip (2 Strand), 15'
55	62933100	1	Cleat
56	82079800	10	Screw, #10-24x2-1/2"
57	82114200	16	Washer, Flat, #10x7/16"
58	12909800	1	Stereo, Maxima CSC 590
59	82019801	2	Screw, #10-24x1-1/2"
60	12910100	1	Plate, Trim
61	82161100	4	Screw, #6x1"
62	12910000	1	Antenna, Maxima CSA-MAK
63	43001100	1	Cord, Zip (2 Strand), 50'
64	12044200	8	Splice, Terminal Blue
65	12087100	8	Terminal, Slip-on, Female
66	12120600	4	Clamp
67	12951100	4	Coupler, Male, 16/14
68	12951200	12	Coupler, Female, 16/14
69	12951300	1	Hinge, Continuous
70	62933200	2	Cleat
71	82068500	7	Screw, #10x1-1/4"
72	62933300	1	Cleat
73	43042700	1	Velcro, Loop, 1-3/4"x15"
74	82092700	52	Screw, #6x1/2"
75	12901000	1	Seat, Box, Stern
76	12901300	1	Section, Quarter, Stern Seat, Port
77	12901400	1	Section, Quarter, Stern Seat, Starboard
78	12906400	1	Cushion, Seat, Stern
79	12901200	1	Back Rest, Stern Seat
80	12951500	1	Gussett, Stern Seat, Port
81	12951600	1	Gussett, Stern Seat, Stbd.
82	82066400	6	Screw, Cap, #1/4-20x1"
83	82076200	6	Lockwasher, Split
84	82035200	6	Washer, Flat, #1/4"
85	72010700	4	Base, Rail
86	82009900	4	Screw, #10x1"
87	82020700	4	Screw, #10-24x1/2"
88	43042600	1	Velcro, Hook, 1-3/4"x15"
89	82073500	7	Screw, #8x1/2"
90	12950200	1	Light, Mood, Stern Seat
91	82372300	20	Screw, #10x1-3/4"



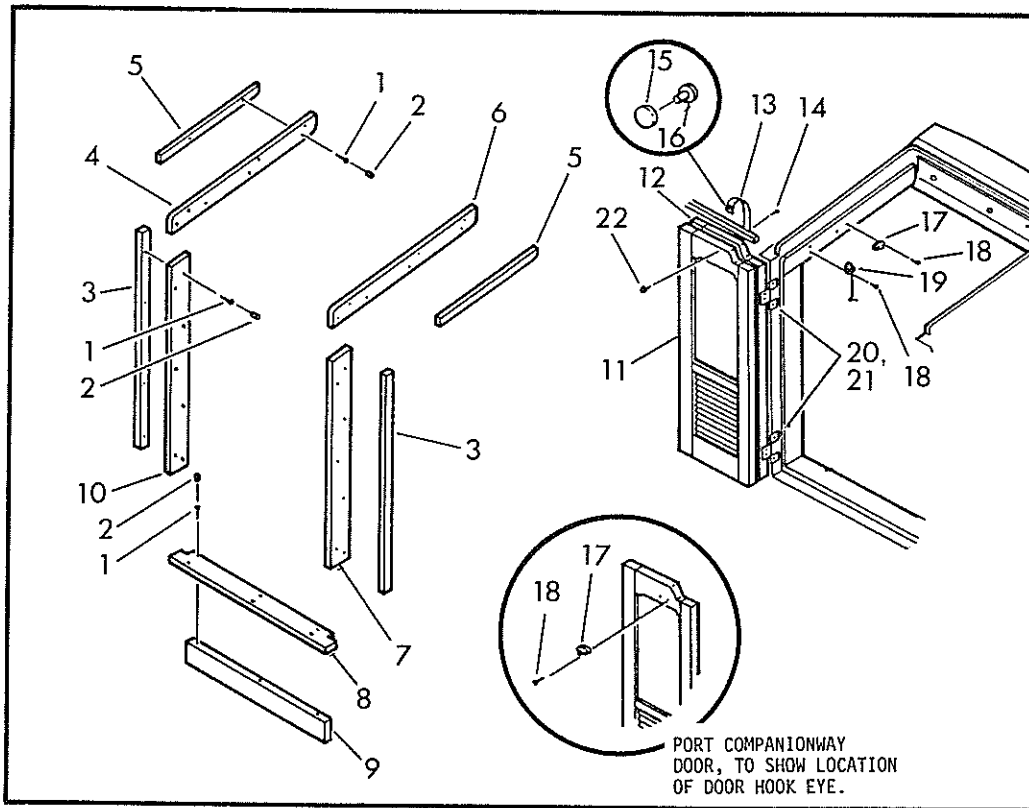
Temptation

2200

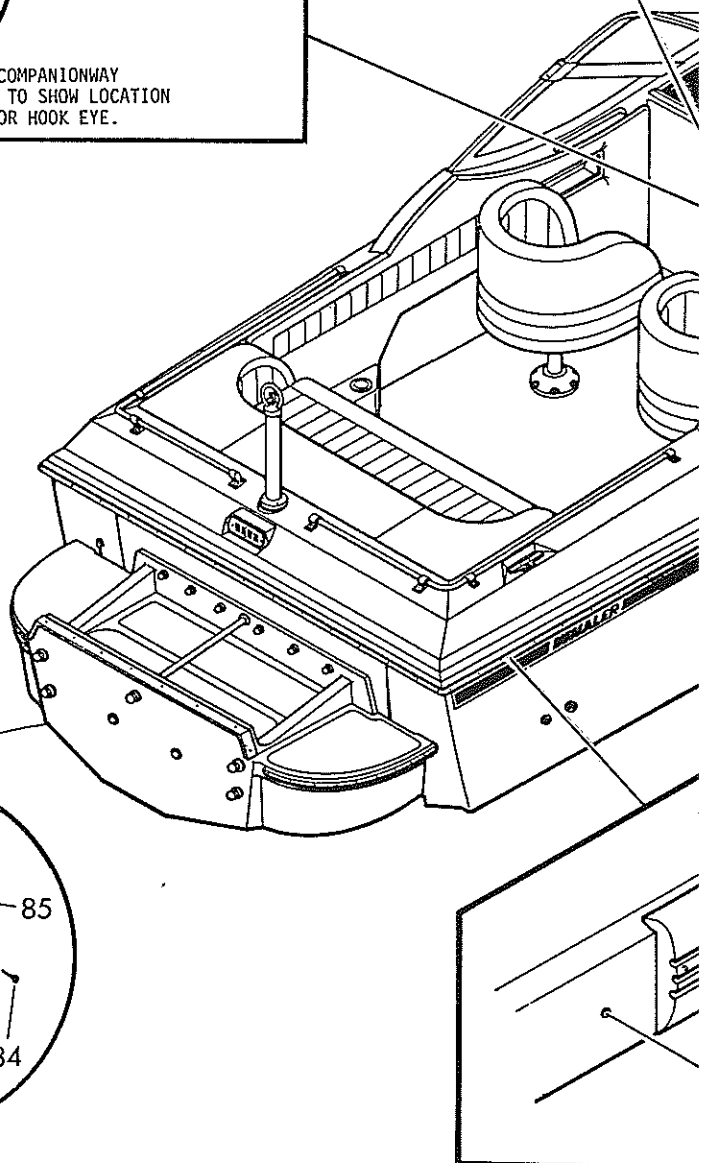
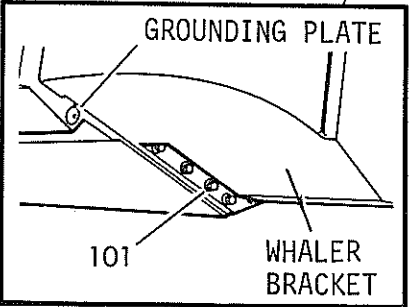
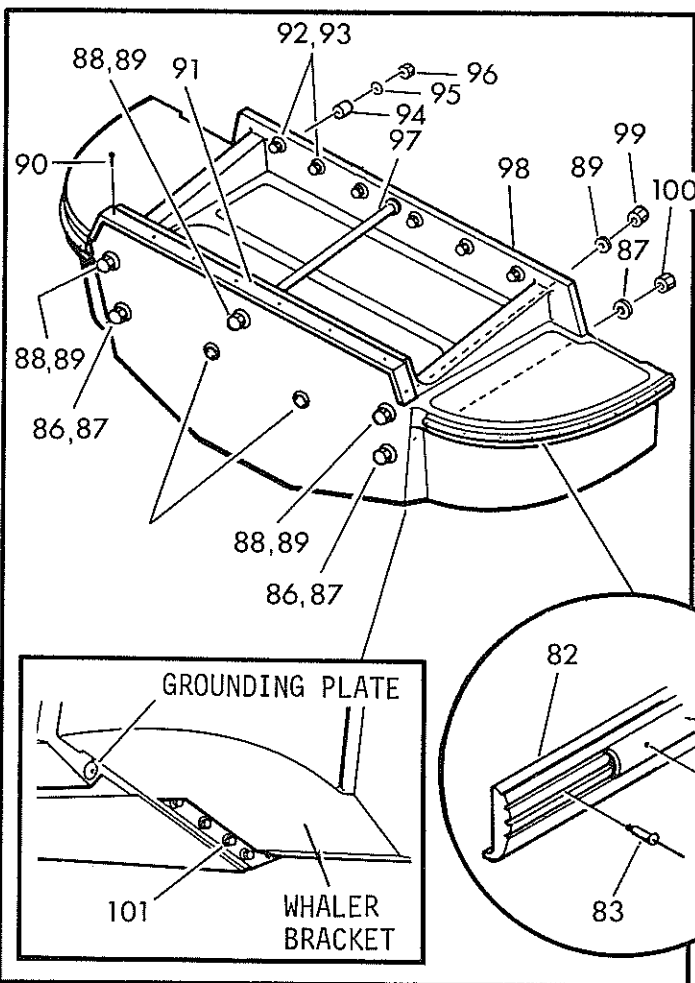


Det.	Part Number	Qty.	Description
1	82067900	34	Screw, #8x7/8"
2	62158200	37	Bung, Teak
3	62931100	2	Trim, Side Interior
4	62930800	1	Trim, Port Top
5	62931000	2	Trim, Top Interior
6	62931600	1	Trim, Starboard Top
7	62931700	1	Trim, Starboard Side
8	62931200	1	Threshold, Companionway
9	62931400	1	Kick Plate, Companionway
10	62930900	1	Trim, Port Side
11	62900600	1	Door, Stbd., Companionway
12	62900700	1	Door, Port, Companionway
13	12932800	1	Strap, Door, Companionway
14	82009800	1	Screw, #8x5/8"
15	82163200	1	Button, Durable, #X2-10128
16	82163100	1	Socket, Durable, #XB-10224
17	12356600	2	Eye, Door Hook
18	82038900	13	Screw, #6x3/4"
19	12356500	1	Hook, Door, 6"
20	12903700	2 pr.	Hinge, Non-Mortised
21	82018300	24	Screw, #8x3/4" (6 each Hinge.)
22	82162500	1	Stud, Glove Snap, #12
23	82418000	1	Screw, #6x5/8"
24	12019901	1	Bumper, Black
25	82121200	7	Washer, Finish, #6
26	12907600	1	Pad, Companionway Head
27	82118700	3	Screw, #10-24x1-1/4"
28	62905500	1	Trim, Hatch, Companionway
29	22900800	1	Hatch, Companionway
30	82952300	2	Screw, #10-24x3/4" Black
31	12901900	1	Cover, Hatch, Plexiglass
32	82952200	4	Screw, #10-24x3/8"
33	82035200	8	Washer, Flat, #1/4"
34	12741200	2	Adjuster, Hatch
35	82408600	4	Nut, Barrel
36	82161100	4	Screw, #6x1"
37	12362800	1	Lock, Hatch, Companionway (includes attaching hardware.)
38	82114300	3	Stopnut, Elastic, Brass, #10-24
39	82114200	3	Washer, Flat, #1/4"
40	82018300	6	Screw, #8x3/4"
41	82063600	4	Screw, #8-32x3/4"
42	12113000	1 pr.	Hinge
43	82062500	4	Washer, Flat, #8
44	82158400	4	Stopnut, Elastic, Brass, #8-32
45	82089900	2	Nut, Acorn, #10-24
46	12916300	1	Pennant, Whaler
47	72794300	1	Rail, Bow
48	82068500	24	Screw, #10x1-1/4"
49	12904000	1	Light, Masthead
50	82067900	2	Screw, #8x7/8"
51	12044200	2	Splice, Wire
52	43001100	1	Cord, Zip (2 strand), 10'

Det.	Part Number	Qty.	Description
53	12793000	1	Windshield, Sport Boat (includes attaching hardware.)
54	12911500	1 set	Stripe, Topskin
55	12911800	1 set	Logo, Temptation 2200
56	82059900	140	Rivet, Pop, 3/16x3/4 Grip
57	12798100	1	Rub Rail, Stern
	12798300	2	Rub Rail, Side
58	82372300	125	Screw, #10x1-3/4"
59	12299100	5	Rub Rail, Stainless Steel
60	82038900	125	Screw, #6x3/4"
61	12929000	1 pr.	Hinge, Overlay
62	82161100	6	Screw, #6x1" (3 each Hinge.)
63	12929100	1	Knob, Cockpit Table (includes attaching hardware.)
64	12938700	1	Cover, Plexiglass
65	12935901	1	Frame
66	12678100	2	Holdes, Drink
67	82941500	2	Screw, #10-24x
68	12938800	1	Cover, Side, Plexiglass
69	12941600	1	Mac-Tac
70	82698300	2	Stopnut, Elastic, Brass, #10-24
71	82114300	2	Washer, Flat, #10
72	12935902	1	Box, Cooler
73	82093500	8	Screw, #8x1-1/4"
74	12935903	1	Base
75	12918400	2	Bracket, Fastening
76	82010100	8	Screw, #8x3/4" (4 each Bracket.)
77	82068500	5	Screw, #10x1-1/4"
78	62941700	2	Trim, Side
79	82161100	10	Screw, #6x1"
80	62941800	2	Trim, End
81	12327400	1	Cooler w/Drain
82	43044400	2	Rail, Rub, Grey
83	82526700	16	Rivet, Pop, AD616BS (8 each side.)
84	82038900	12	Screw, #6x3/4" (6 each Side.)
85	12299100	2	Rail, Rub, Stainless
86	82915000	2	Bolt, Hex Head, 5/8-18x30"
87	82915200	4	Washer, Flat, 1.750DX x .687 ID
88	82915100	3	Bolt, Hex Head, 3/4-16x30"
89	82915300	6	Washer, Flat, 2.000DX x .812 ID
90	82161100	10	Screw, #6x1"
91	12908300	1	Trim, Whaler Bracket
92	82925000	6	Bolt, Hex Head, 3/8-16x4-1/2"
93	82501300	6	Washer, Flat, 3/8IDx7/800
94	12172200	6	Spacer
95	82928400	6	Washer, Flat, 3/8IDx1/200
96	82309200	6	Stopnut, 3/8-16L
97	12925700	1	Brace, Compression
98	22913000	1	Bracket, Whaler, Grey
99	82915500	3	Locknut, 3/4-16
100	82915400	2	Locknut, 5/8-18
101	82928500	8	Bolt, Lag, 3/8"x4"

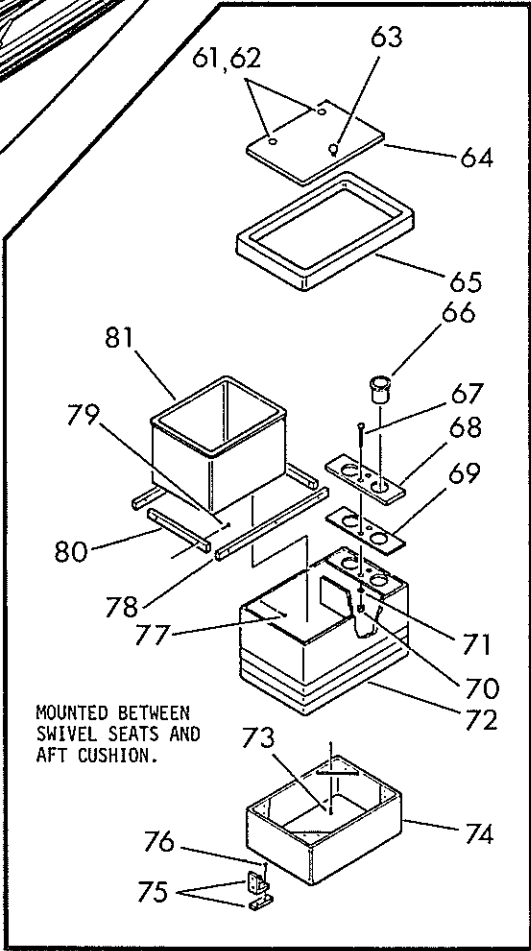
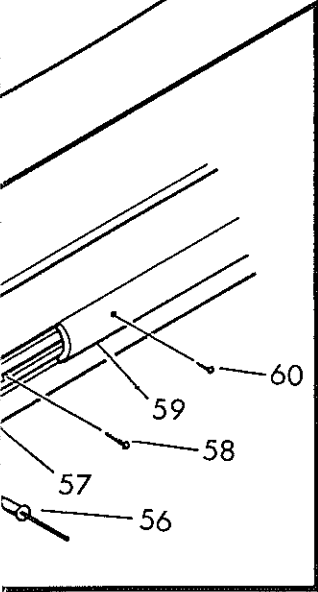
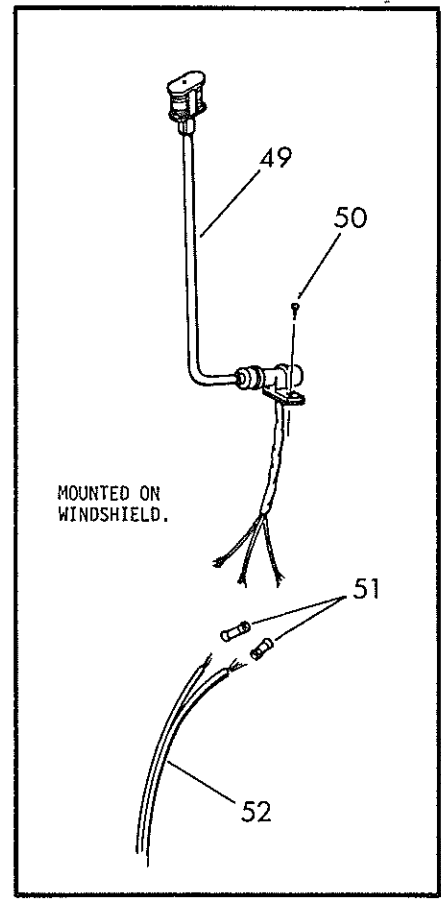
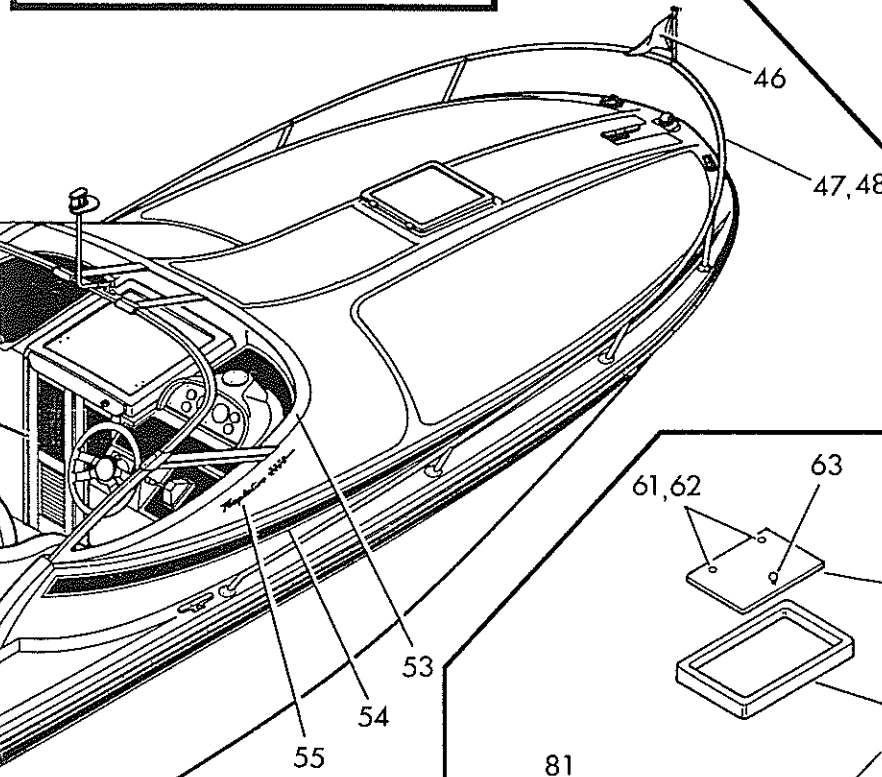
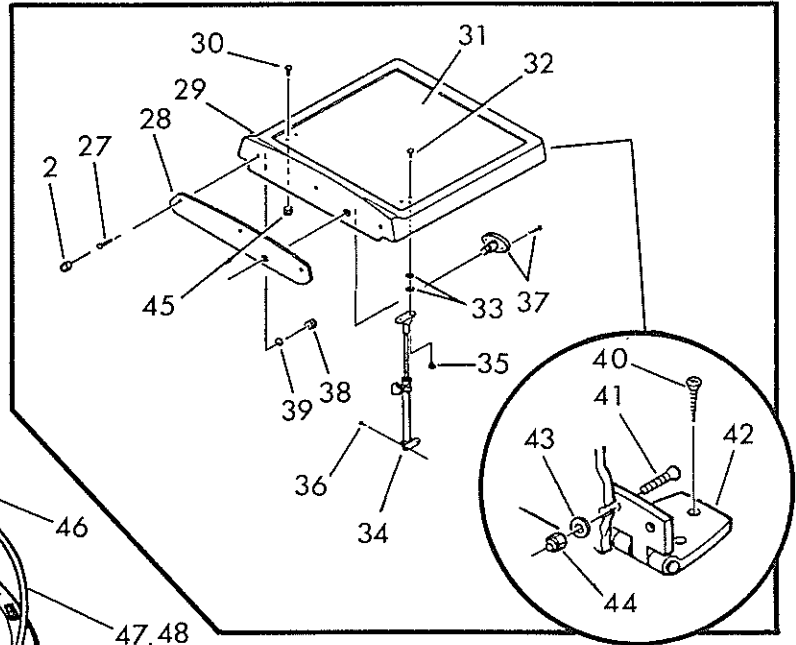
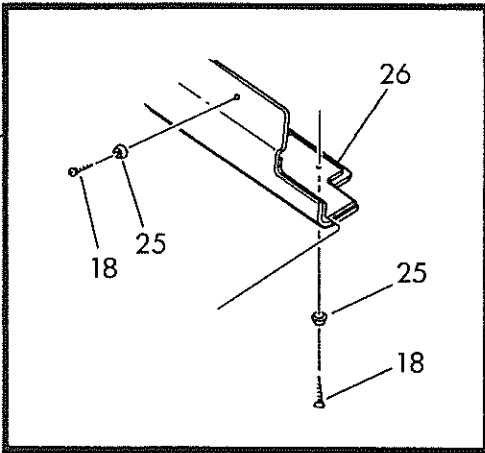


PORT COMPANIONWAY DOOR, TO SHOW LOCATION OF DOOR HOOK EYE.



Temptation

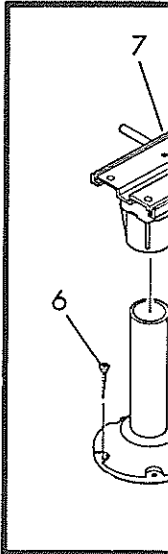
2200



Det.	Part Number	Qty.	Description
1	12945800	1	Whaler Drive Upper Bolt Label
2	12946700	1	Whaler Drive Upper Bolt Label
3	12932200	1	Carpet, 22' Temptation
4	82122400	19	Stud, Durable Screw
5	12912400	2	Pedestal
6	82109300	12	Screw, #14x1-1/2"
7	12912700	2	Slide, Swivel Assembly
8	12172200	8	Spacer (4 each seat.)
9	82076200	8	Lockwasher, Split, #1/4x062T (4 each seat.)
10	82035200	8	Washer, Flat, #1/4" (4 each seat.)
11	82105400	8	Screw, #1/4-20x1-1/2"
12	12904900	2	Seat, Bucket
13	12161900	1	Vent Hose, No Drill Label
14	12936700	1	Plate, Capacity
15	82065700	8	Rivet, Pop, 1/8x1/4" Grip
16	12018100	3	Plug, Drain
17	12911300	1 set	Stripe, Hull
18	12162000	1	Fuel Tank, No Drill Label
19	12197300	1	Plate, Hull Identification Number
20	12527100	2	Label, Swim Platform Warning
21	12946600	1	Whaler Drive Engine Spacing Label
22	12440300	1	Steerer Kit, Hydraulic
23	12568600	1	Hose, Hydraulic, 16'
24	12792700	1	Wheel, Steering
25	12127300	1	Clip
26	82009800	1	Screw, #8x5/8"
27	12180902	1	Ties, Tyrap

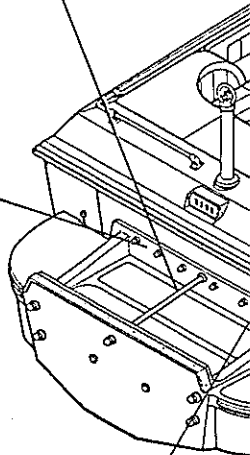
PAMPHLETS

- 12-3161-00 Boat Pamphlet
- 12-6780-00 Owner's Manual, 18'-25'
- 15-1426-00 Packing List, 22' Temptation
- 32-0131-00 Owner's Instruction Check List
- 32-0132-00 8x10 Poly Envelope



IMPORTANT!!
 REMOVE THIS →
 TUBE AND BOLT WHEN INSTALLING SINGLE ENGINES. USE KIT NUMBER 15-1452-00 SUPPLIED WITH OWNERS PACKAGE TO COVER HOLES.
 12-9467-00

CAUTION
 Dual engines require the factory installed center upper tube and bolt. If they have been removed for a single engine installation — replace them. Contact the factory for more information and the parts required.
 DO NOT REMOVE THIS LABEL.
 12-9458-00

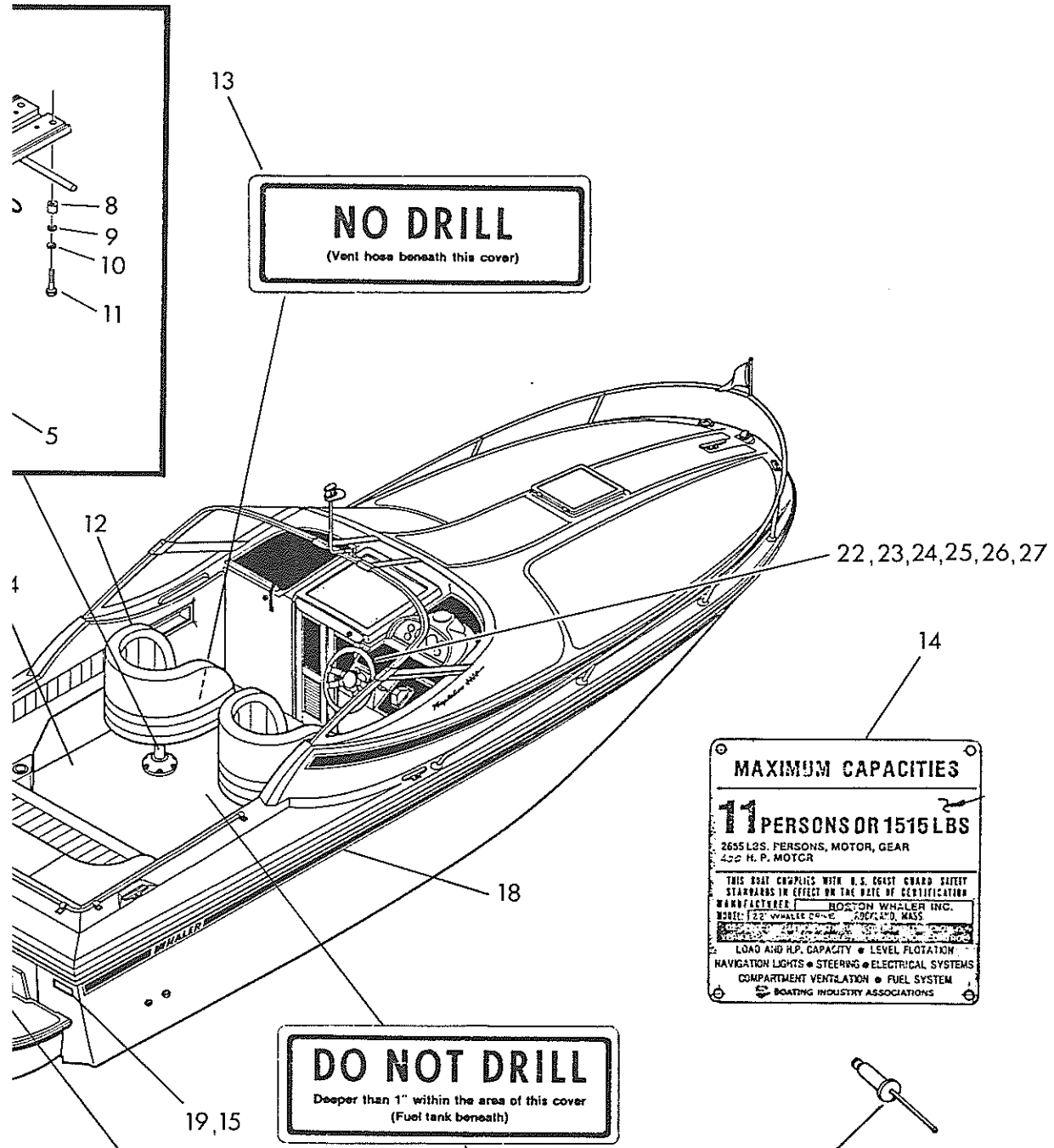


IMPORTANT!!
 Dual engines must be mounted on 28" centers. Raise the engines to the third or fourth adjustment hole for full tilt clearance between tiebar and stainless center upper tube and bolt. Power steering can be installed on the starboard engine only.
 DO NOT REMOVE THIS LABEL.
 12-9466-00

21

Temptation

2200



NO DRILL
(Vent hose beneath this cover)

MAXIMUM CAPACITIES
11 PERSONS OR 1515 LBS
2655 LBS. PERSONS, MOTOR, GEAR
450 H. P. MOTOR
THIS BOAT COMPLIES WITH U.S. COAST GUARD SAFETY STANDARDS IN EFFECT ON THE DATE OF CERTIFICATION
MANUFACTURED BY BOSTON WHALER INC.
MODEL 122 WHALER COVE 007400 MASS
LOAD AND H.P. CAPACITY • LEVEL FLOTATION
NAVIGATION LIGHTS • STEERING • ELECTRICAL SYSTEMS
COMPARTMENT VENTILATION • FUEL SYSTEM
BOATING INDUSTRY ASSOCIATIONS

DO NOT DRILL
Deeper than 1" within the area of this cover
(Fuel tank beneath)

WARNING
DO NOT use swim platform or boarding ladder while engine is running.
12 527100