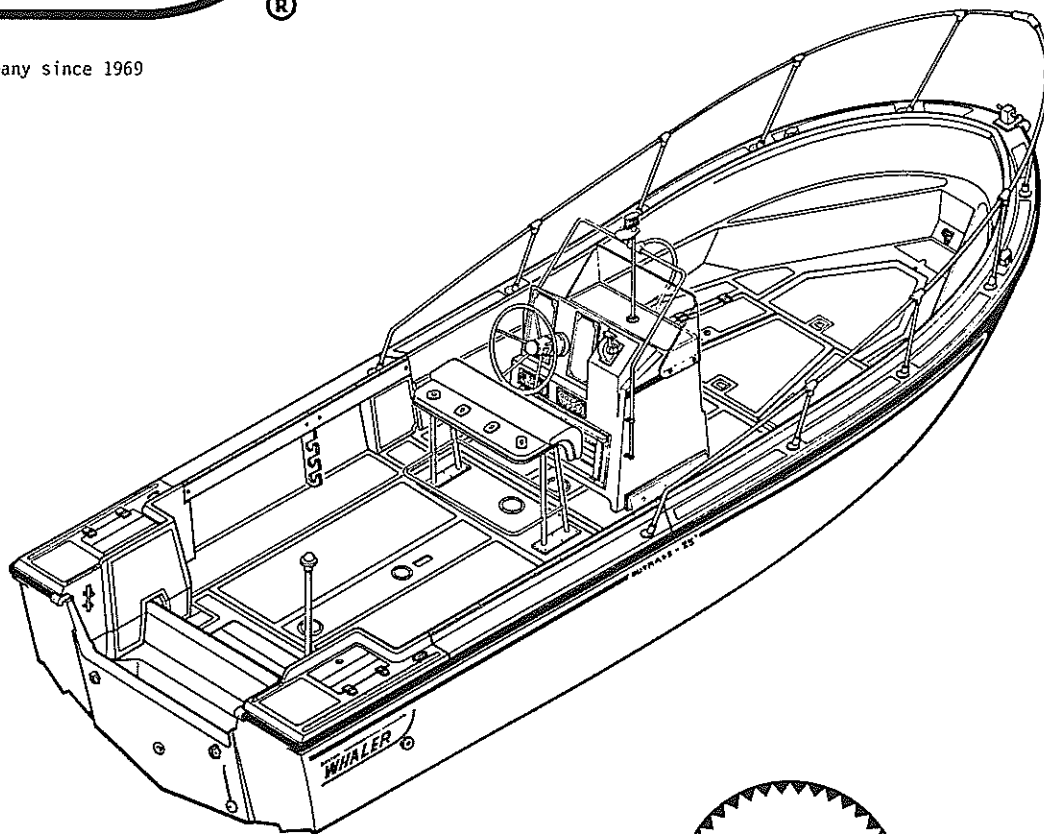


# 25' Outrage - Outboard

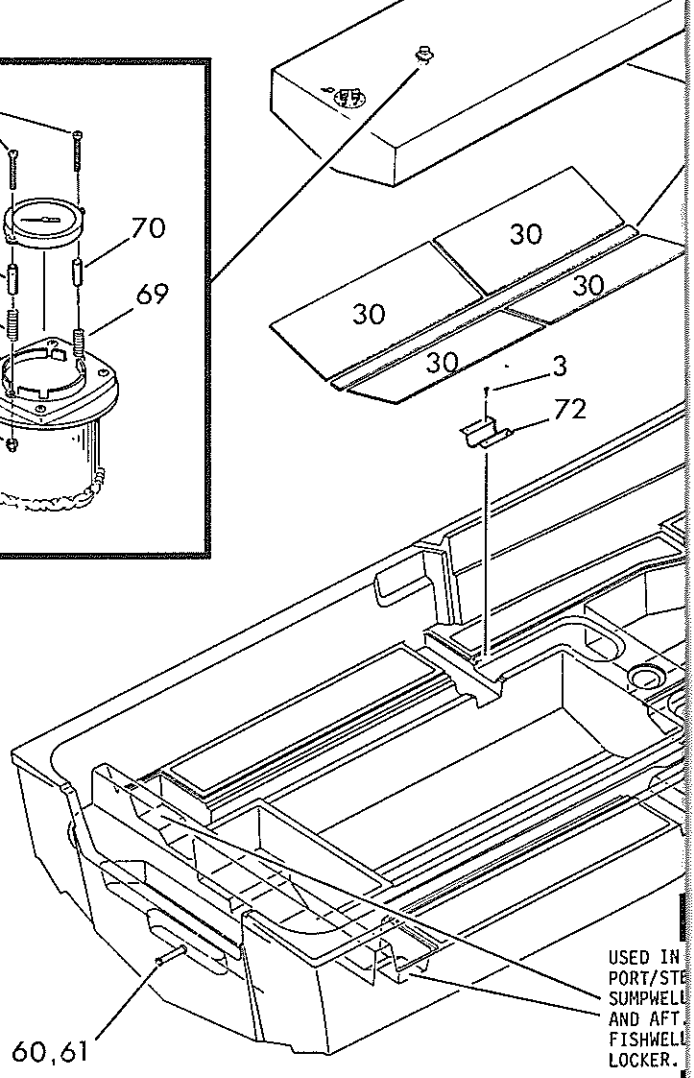
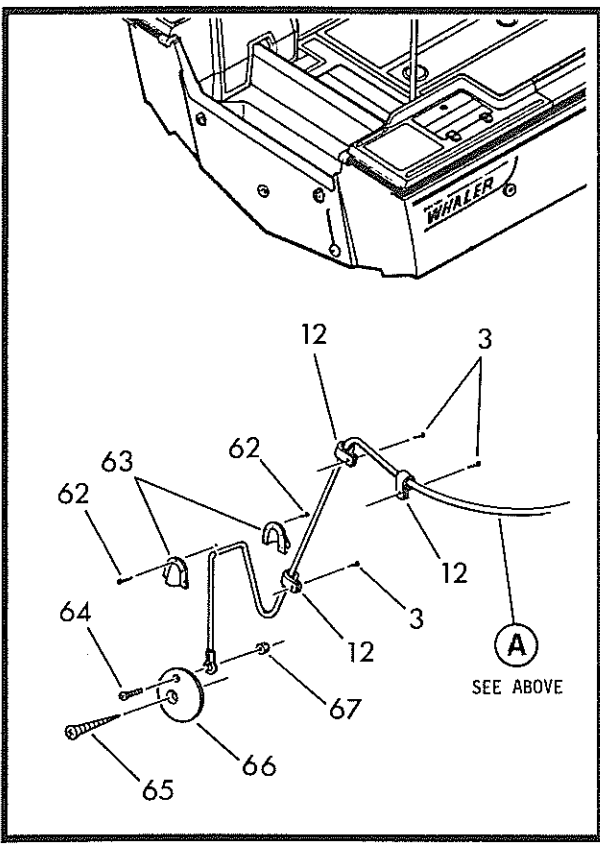
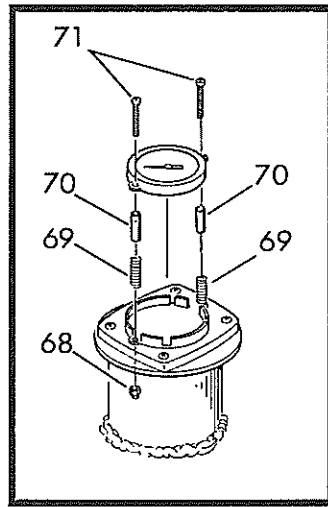
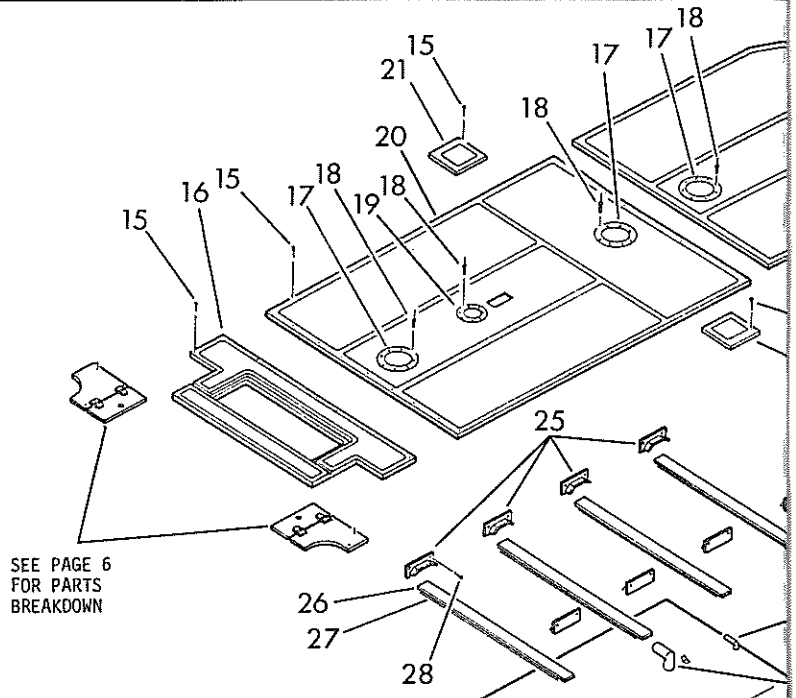
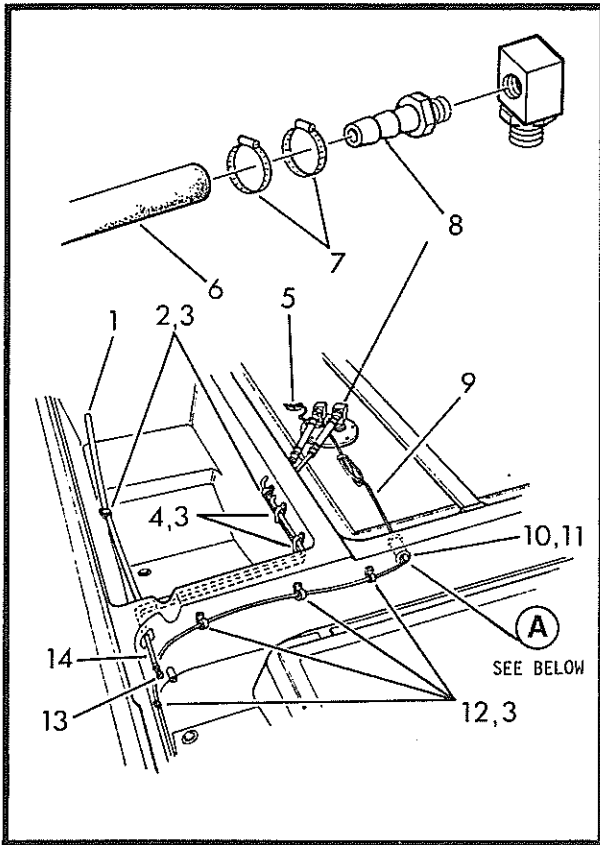


a CML Group Company since 1969

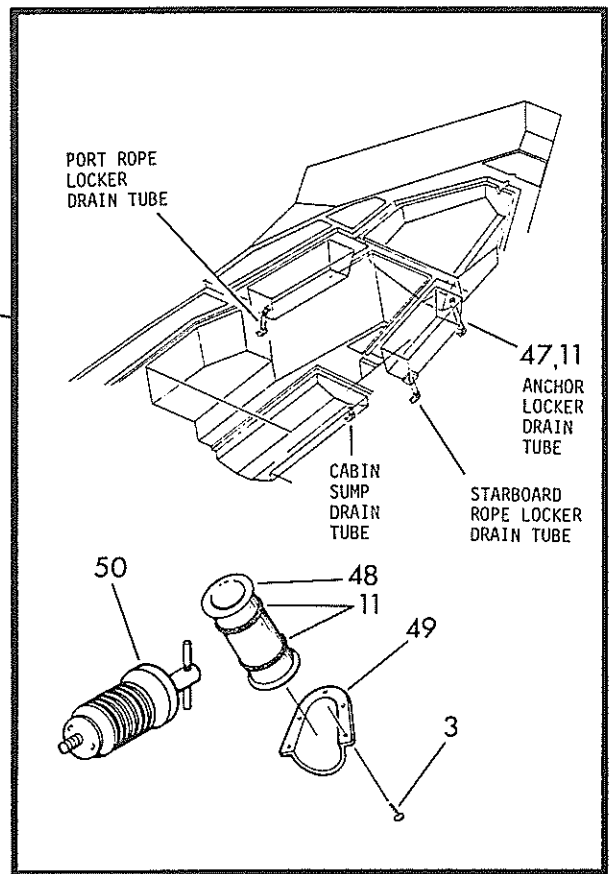
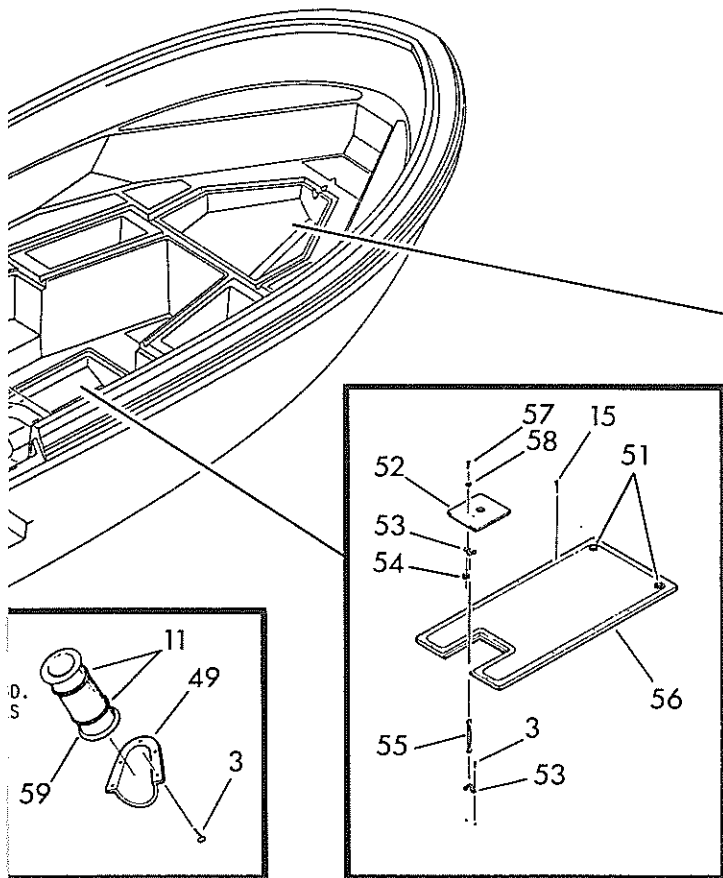
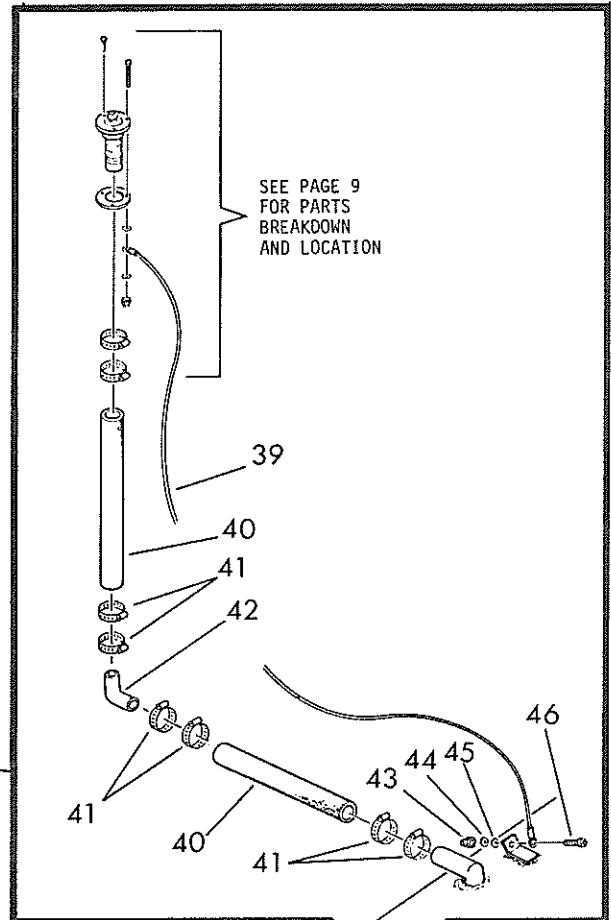
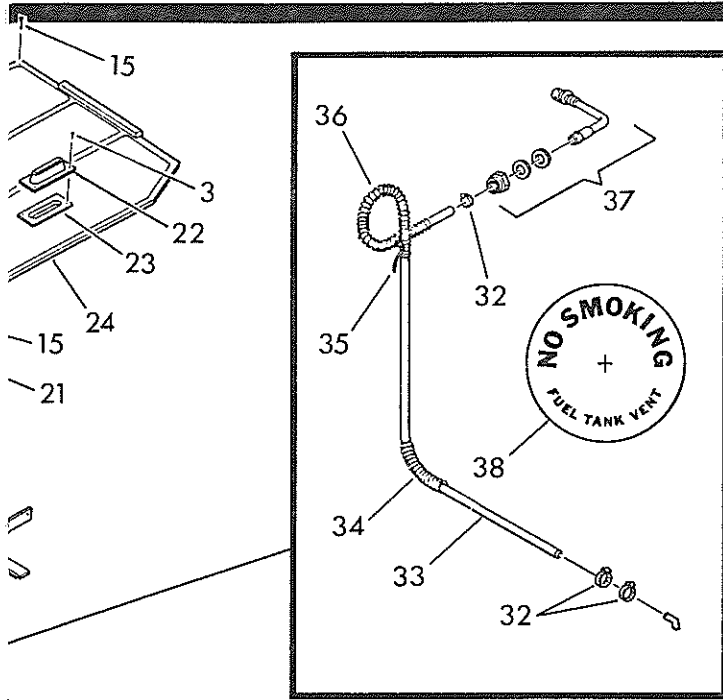


Det.	Part Number	Qty.	Description
1	43029000	1	Tube, 1/2" P.V.C., 4'
2	12427100	2	Clip, Line Support
3	82009800	54	Screw, #8x5/8"
4	12127300	3	Clip
5	12426000	1	Wire, Ground, 12"
6	43020600	2	Hose, Fuel Line, 24"
7	12127600	8	Clamp, Hose, Fuel Line
8	12127400	2	Barb, Male
9	12334400	1	Wire, Ground, 156"
10	12294700	1	Tube, Drain, Aluminum, 3-3/4"
11	12008900	16	O-Ring, Neoprene
12	12136700	10	Clamp, Support
13	12423010	1	Line, Fuel, Copper
14	12423020	1	Line, Fuel, Copper
15	82372300	119	Screw, #10x1-3/4"
16	22431000	1	Cover, Baitwell, Aft.
17	12299500	2	Port, Access, Tan, 8"
18	82150800	32	Rivet, Pop, 3/16x3/8"
19	12255200	1	Port, Access, Clear, 6"
20	22431300	1	Cover, Fuel Tank
21	22431100	2	Cover, Side
22	12133800	1	Collar, Tunnel
23	12790100	1	Collar, Tunnel
24	22430900	1	Cover, Forward
25	12418500	8	Bracket, Aluminum
26	12418400	4	Strap, Aluminum, Holddown
27	12418600	4	Strap, Holddown, Fuel Tank
28	82313800	16	Screw, #14x1"
29	12648100	1	Tank, Fuel, 140 Gallon
30	12418800	4	Pad, Support, Fuel Tank
31	12418700	1	Strap, Support, Fuel Tank
32	12126000	3	Clamp, Vent Hose
33	43022700	1	Hose, Vent, 9.50'
34	12794700	1	Spring, Vent Hose, 6"
35	12180902	1	Tie, Tyrap
36	12791400	1	Spring, Vent Hose, 12"
37	12298900	1	Fitting, Vent
38	12162200	1	Label, No Smoking
39	12206200	1	Wire, Ground, 120"
40	43041800	2	Hose, Fuel Fill, 30"
41	12126200	8	Clamp, Fuel Hose
42	12908400	1	Elbow, 1-1/2" Barbed
43	82016300	3	Nut, Hex, #10-24
44	82016400	3	Washer, Flat, #10
45	82016500	3	Lockwasher, #10-Ext.
46	82020700	3	Screw, #10-24x1/2"
47	12426200	1	Tube, Drain, 8-1/2"
48	12012900	3	Tube, Drain, 4-7/8"
49	12160800	7	Vent, Stainless Steel
50	12018100	7	Plug, Drain
51	12076600	2	Tube, Drain, 13/16"
52	62433600	1	Cover, Cabin Sump Drain
53	12065800	2	Eye, Strap
54	82158400	2	Stopnut, Elastic, Brass, #8-32
55	15073800	1	Cord, Shock, 5"
56	22431200	1	Cover, Sump, Cabin

Det.	Part Number	Qty.	Description
57	82061600	2	Screw, #8-32x1"
58	82121200	2	Washer, Finish, #6
59	12543800	3	Tube, Drain, 3-3/4"
60	12612000	1	Tube, Drain, 1-1/4"x3-1/2"
61	12612100	2	O-Ring, Neoprene
62	82068300	6	Screw, #6x1/2"
63	12117000	2	Ventilator
64	82160100	1	Screw, #10-24x1/2"
65	82109300	1	Screw, #14x1-1/2"
66	12171800	1	Plate, Ground
67	82114300	1	Stopnut, Elastic, Brass, #10-24
68	82232800	2	Stopnut, Elastic, Brass, #4-40
69	12326200	2	Spring
70	12326300	2	Spacer, Tube
71	82326400	2	Screw, #4-40x1-3/8"
72	12428900	1	Tunnel, Bridge



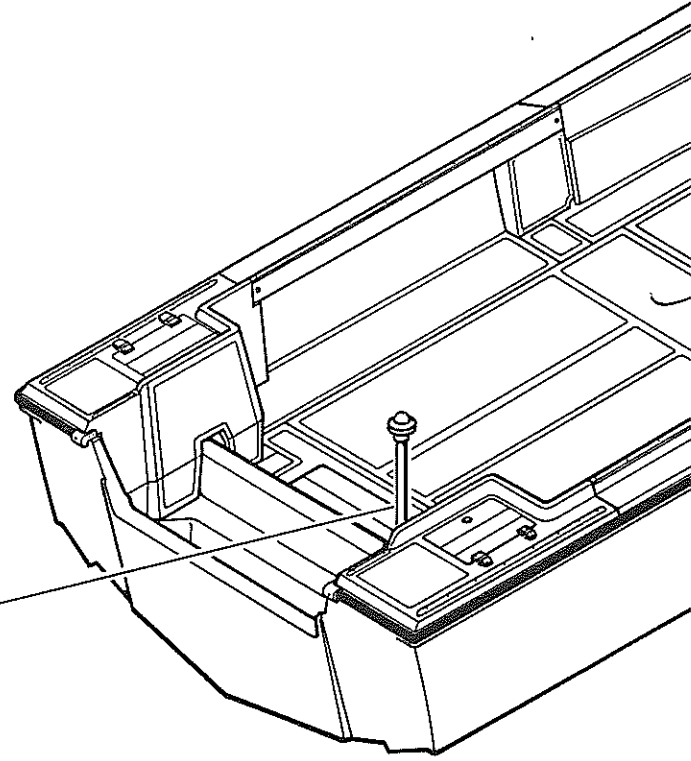
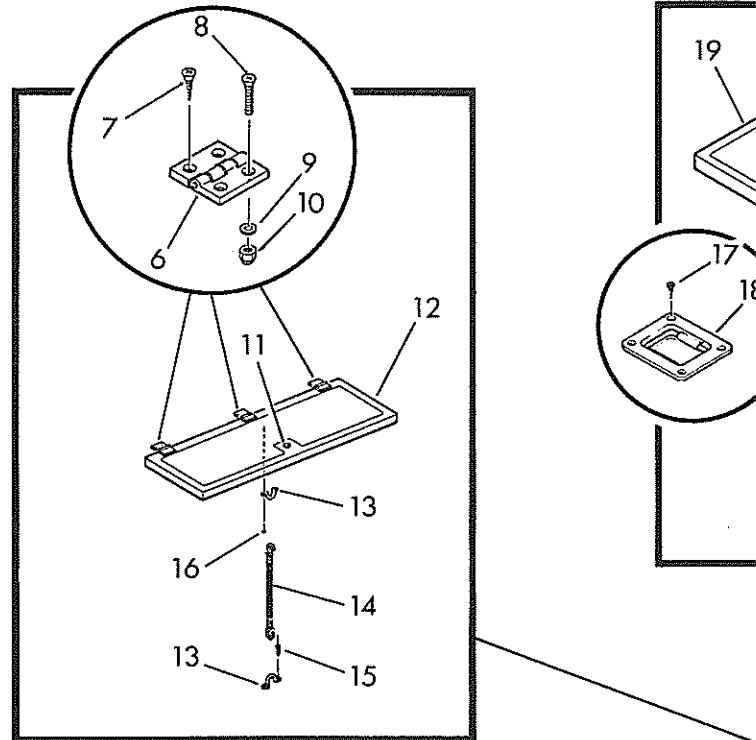
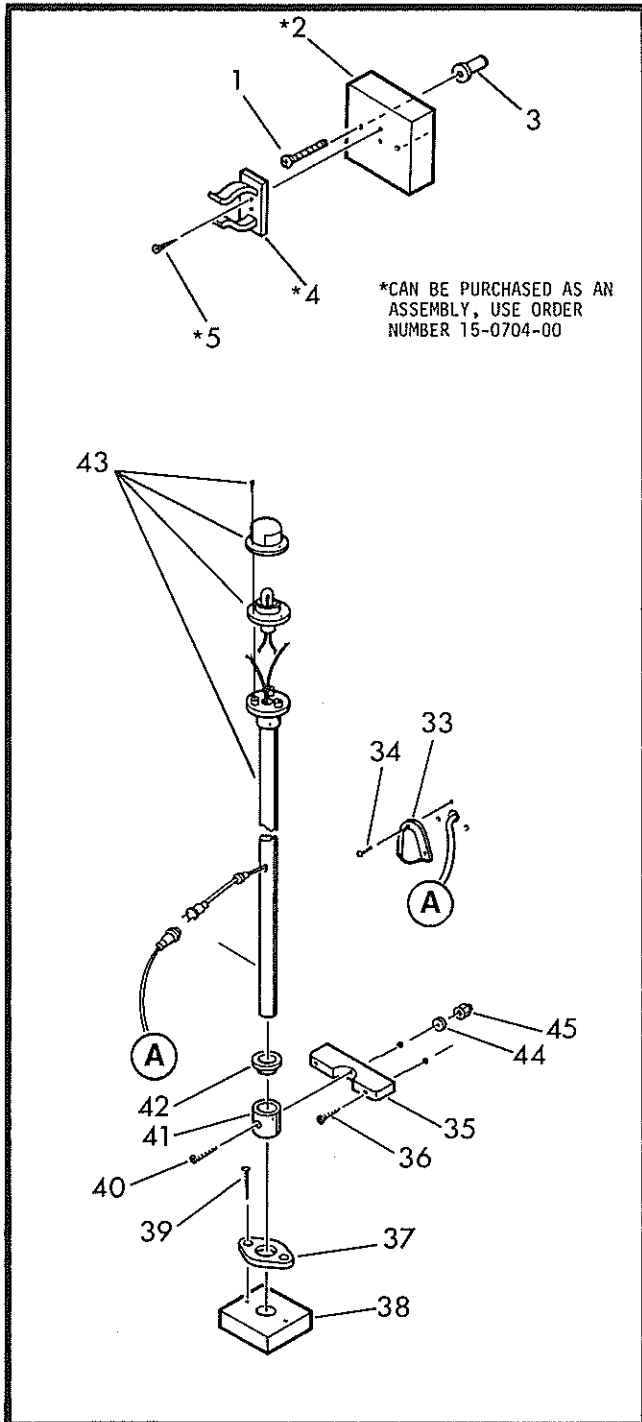
# 25' Outrage - Outboard



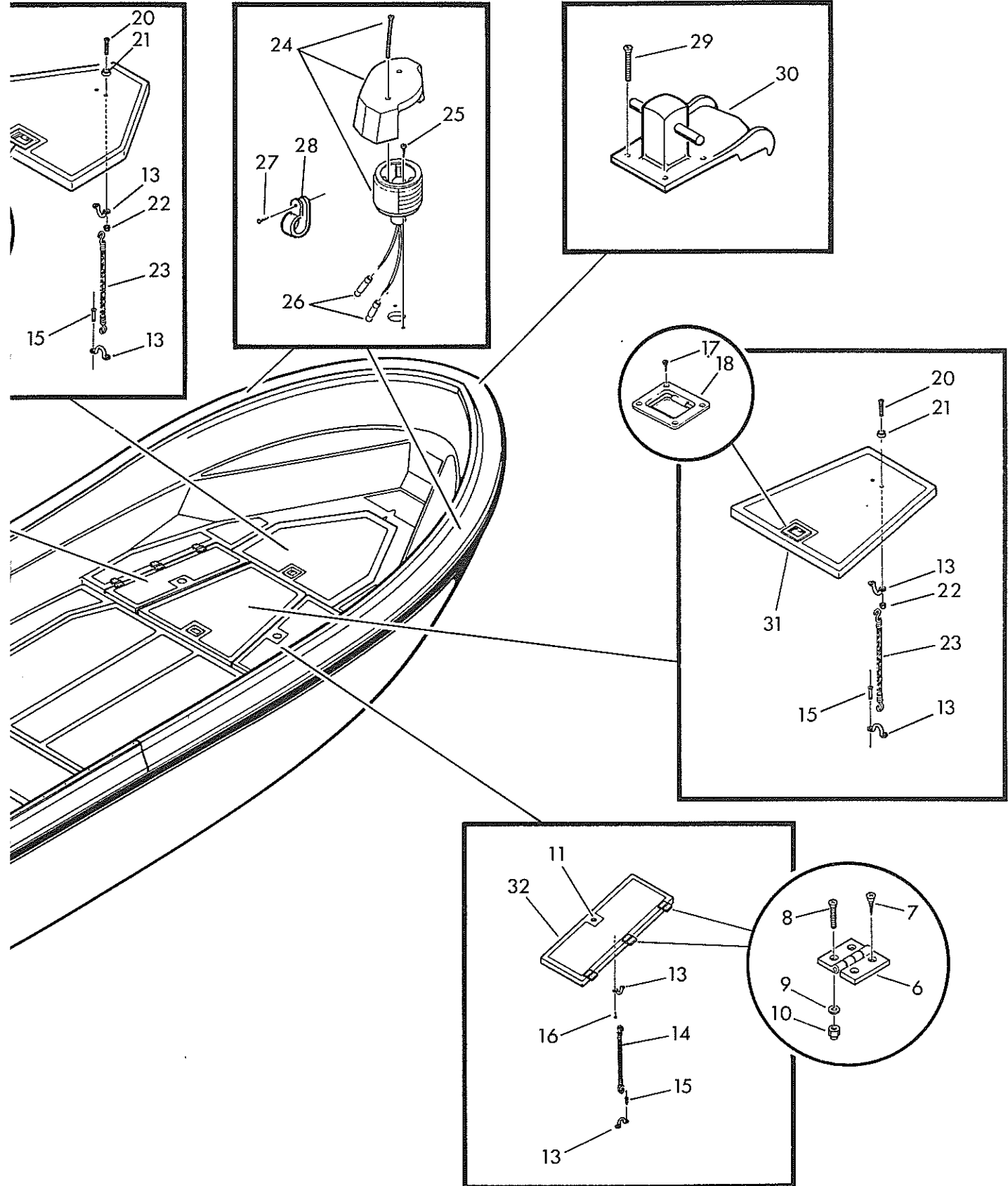
Det.	Part Number	Qty.	Description
	15070400		Sternlight Storage Block Assy. (includes parts 2,4, and 5.)
1	82216700	2	Screw, #10-32x2"
2	62414900	1	Block, Sternlight
3	82072700	2	Nut, Well, #10
4	12415000	1	Clip, Black
5	82161100	2	Screw, #6x1"
6	12432400	3 pr.	Hinge
7	82010100	12	Screw, #8x3/4"
8	82061600	12	Screw, #8-32x1"
9	82062500	12	Washer, Flat, #8
10	82158400	12	Stopnut, Elastic, Brass, #8-32
11	12076600	2	Tube, 13/16" (1 each Rope Locker Cover-Port and Stbd.)
12	22341800	1	Cover, Locker-Port Rope
13	12065800	8	Strap, Eye
14	12348200	2	Shock Cord Assembly (1 each Rope Locker Cover-Port and Stbd.)
15	82033700	8	Rivet, Pop, 3/16x1/2" Grip
16	82183200	4	Screw, #8x1"
17	82122200	8	Screw, #8x1/2"
18	12086100	2	Handle, Flush
19	22341600	1	Cover, Locker, Anchor
20	82145200	4	Screw, #6-32x1-1/4"
21	82121200	4	Washer, Finish, #6
22	82145300	4	Stopnut, Elastic, Brass, #6-32
23	12348300	2	Shock Cord Assembly
24	12302001	1	Sidelight, Bow, Port
	12302002	1	Sidelight, Bow, Starboard
25	82009800	4	Screw, #8x5/8"(2 each Sidelight-Port and Starboard.)
26	12044200	4	Splice, Wire, Blue Terminal (2 each Sidelight-Port and Stbd.)
27	82009800	2	Screw, #8x5/8"(1 each side-Port and Starboard. Found behind Wire Covers.)
28	12136700	2	Clamp, Support (1 each side-Port and Starboard. Found behind Wire Covers.)
29	82061100	4	Screw, #1/4-20x1-1/2"
30	12461000	1	Bitt, Bow
31	22341700	1	Cover, Storage, Bow Locker
32	22341900	1	Cover, Locker, Stbd. Rope
33	12117000	1	Ventilator
34	82068300	3	Screw, #6x1/2"
35	62433300	1	Block, Sternlight
36	82312600	2	Screw, #10x1-1/2"
37	12298300	1	Escutcheon
38	62340100	1	Block, Base
39	82009600	2	Screw, #10x1-1/2"
40	82065400	1	Screw, 1/4-20x2"
41	12308800	1	Ring, Sternlight
42	12308600	1	Bushing, Snap
43	12568300	1	Sternlight
44	82035200	1	Washer, Flat
45	82150900	1	Stopnut, Elastic, Brass, 1/4-20

PAMPHLETS

12316100	Boat Pamphlet
12678000	Owner's Manual
15072400	Packing List
15073600	Wood Locating Diagram
32013100	Owner's Instruction Check Sheet
32013200	8x10 Poly Envelope
32015400	C.G. 290 Coast Guard Regulation Booklet



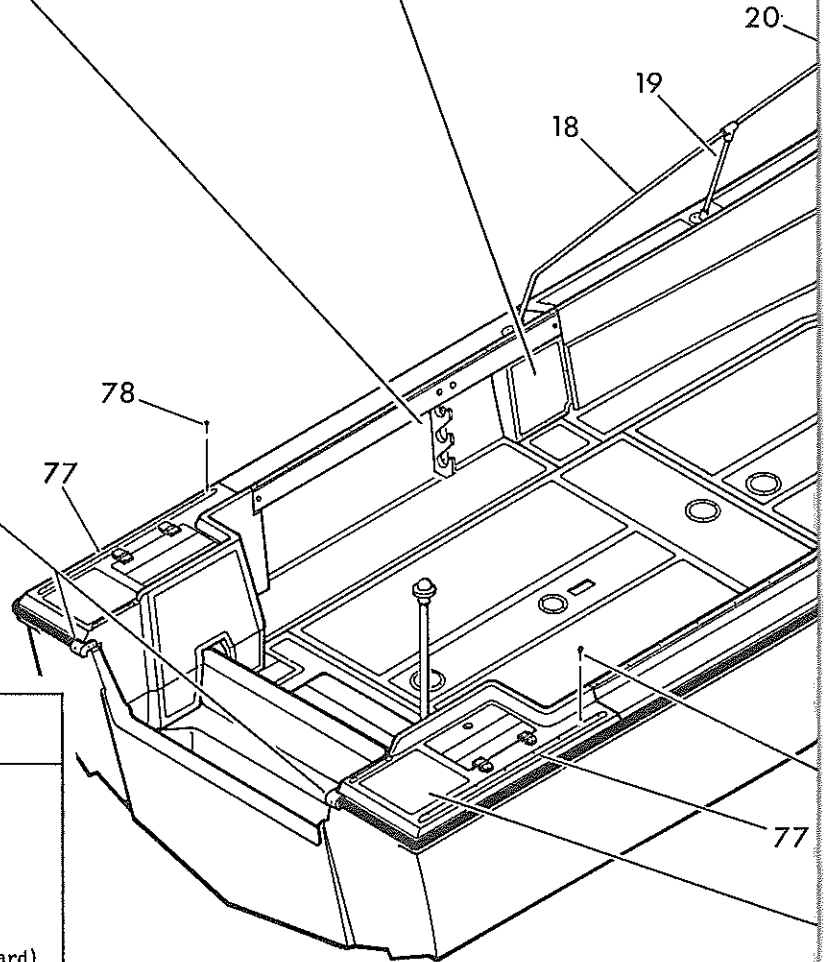
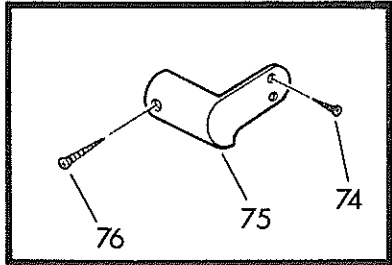
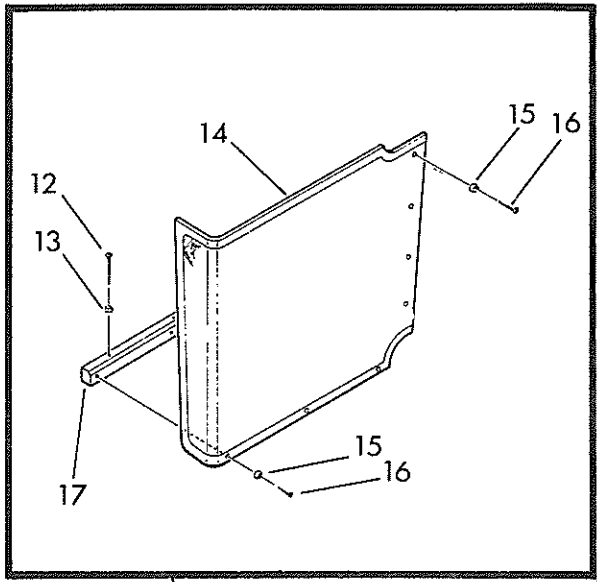
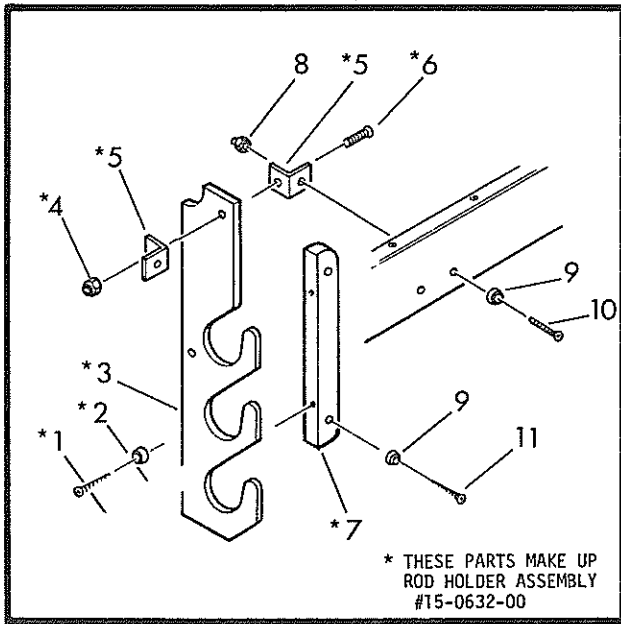
# 25' Outrage - Outboard



Det.	Part Number	Qty.	Description
	15063200	2	Under Gun'1 Rod Holder Assembly (includes parts 1-7.)
1	82009600	4	Screw, #10x1-1/2" (2 each Rod Holder)
2	82002800	4	Washer, Finish, #10 (2 each Rod Holder)
3	62328700	2	Rack, Rod (1 each Rod Holder)
4	82114300	2	Stopnut, Elastic, Brass, #10-24 (1 each Rod Holder)
5	12140200	4	Bracket, Angle (2 each Rod Holder)
6	82019801	2	Screw, #10-24x1-1/2" (1 each Rod Holder)
7	62005900	2	Cleat (1 each Rod Holder)
8	82114300	4	Stopnut, Elastic, Brass, #10-24 (2 each Rod Holder)
9	82002800	8	Washer, Finish, #10 (4 each Rod Holder)
10	82019801	4	Screw, #10-24x1-1/2" (2 each Rod Holder)
11	82002400	4	Screw, #10x2" (2 each Rod Holder)
12	82002400	4	Screw, #10x2" (2 each Cleat - Port and Starboard)
13	82002800	4	Washer, Finish, #10 (2 each - Port and Starboard)
14	12341400 12341500	1 1	Cover, Fuel Hose, Port Cover, Wire, Starboard
15	82121200	14	Washer, Finish, #6 (7 each Cover - Port and Starboard)
16	82161100	14	Screw, #6x1" (7 each Cover - Port and Starboard)
17	62430700	2	Cleat (1 each Cover - Port and Stbd.)
18	72426101	1	Rail, Side, Bow, Port (includes 4 Rail Tees #72-1241-00 bent on)
19	72426106	2	Stanchion, Aft. (1 each side - Port and Starboard)
20	72426105	2	Stanchion, Center (1 each side - Port and Starboard)
21	72426104	2	Stanchion, Forward (1 each side - Port and Starboard)
22	72426103	2	Stanchion, Bow (1 each side - Port and Starboard)
23	72199200	10	Base, Rail (5 each side - Port and Starboard)
24	82109300	30	Screw, #14x1-1/2"
25	82020700	56	Screw, #10-24x1/2"
26	72306300	1	Form, Bow
27	72426102	1	Rail, Side, Bow, Starboard (includes 4 Rail Tees #72-1241-00 bent on)
28	62428800	2	Cover, Locker, Starboard
29	12113000	2 pr.	Hinge (1 pair each Locker Cover - Port and Starboard)
30	82010100	12	Screw, #8x3/4" (6 each Locker Cover - Port and Starboard)
31	82063600	8	Screw, #8-32x3/4" (4 each Locker Cover - Port and Starboard)
32	82158400	8	Stopnut, Elastic, Brass, #8-32 (4 each Locker Cover - Port and Stbd.)
33	43016200	2	Strap, Nylon (1 each Locker Cover - Port and Starboard)
34	82009800	4	Screw, #8x5/8" (2 each Locker Cover - Port and Starboard)
35	82091700	4	Washer, Flat (2 each Locker Cover - Port and Starboard)

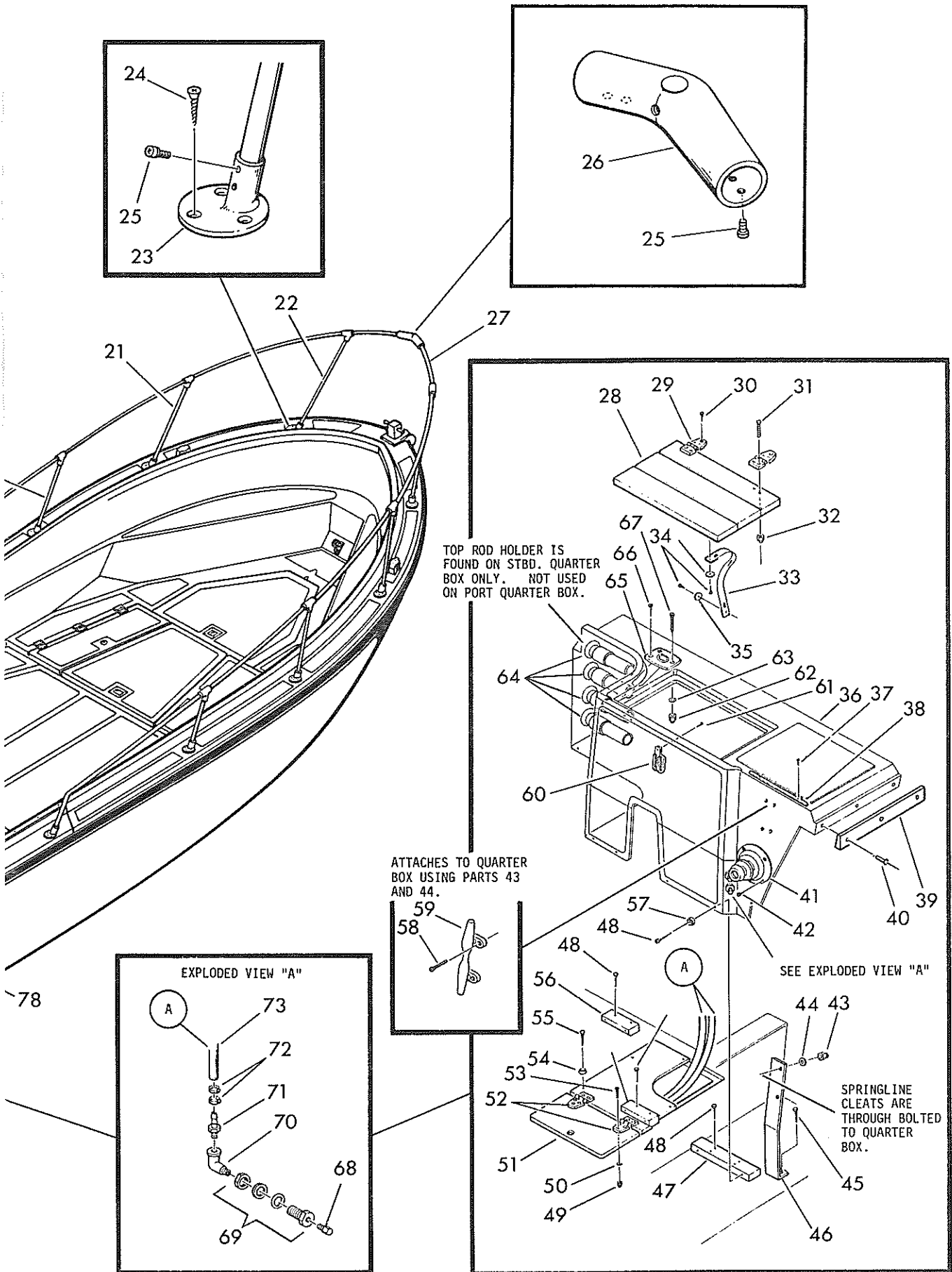
Det.	Part Number	Qty.	Description
36	22433000 22433100	1 1	Box, Quarter, Port Box, Quarter, Starboard
37	82068300	4	Screw, #6x1/2" (2 each Rub Strake - Port and Starboard)
38	12428000	2	Strake, Rub (1 each Quarter Box - Port and Starboard)
39	12434200	2	Wedge, Rub Rail (1 each Quarter Box - Port and Starboard)
40	82059900	6	Rivet, Pop, 3/16x3/4" Grip (3 each Quarter Box - Port and Stbd.)
41	12085300	1	Boot, Black
42	82009800	4	Screw, #8x5/8"
43	82150900	8	Stopnut, Elastic, Brass, #1/4-20 (4 each Springline Cleat - Port and Starboard)
44	82035200	8	Washer, Flat, #1/4 (4 each Springline Cleat - Port and Starboard)
45	82019300	4	Screw, #14x1-1/2" (2 used each side - Port and Starboard)
46	12433400	2	Bracket, Stern Cleat Reinforcement (1 each Quarter Box - Port and Stbd.)
47	62430600	2	Cleat (1 each Quarter Box - Port and Starboard)
48	82372300	28	Screw, #10x1-3/4" (14 used each Quarter Box - Port and Starboard)
49	82158400	20	Stopnut, Elastic, Brass, #8-32 (10 each Sump Cover - Port and Stbd.)
50	82062500	20	Washer, Flat, #8 (10 each Sump Cover - Port and Starboard)
51	62432200 62432300	1 1	Cover, Aft., Sump, Port Cover, Aft., Sump, Starboard (both Port and Stbd. Sump Covers include parts 49,50,52 and 53.)
52	12113000	2 pr.	Hinge (1 pair each Sump Cover - Port and Starboard)
53	82061600	20	Screw, #8-32x1" (10 each Sump Cover - Port and Starboard)
54	82002800	8	Washer, Finish, #10 (4 each Sump Cover - Port and Starboard)
55	82372300	8	Screw, #10x1-3/4" (4 each Sump Cover - Port and Starboard)
56	62430500	4	Cleat (2 each Quarter Box - Port and Starboard)
57	82002800	12	Washer, Finish, #10 (6 each Quarter Box - Port and Starboard)
58	82065400	8	Screw, #1/4-20x2" (4 each Springline Cleat - Port and Starboard)
59	12090500	2	Cleat, Springline (1 each Quarter Box - Port and Starboard)
60	12127300	1	Clip
61	82009800	1	Screw, #8x5/8"
62	82150900	4	Stopnut, Elastic, Brass, #1/4-20 (2 each Rod Holder - Port and Stbd.)
63	82035200	4	Washer, Flat, #1/4 (2 each Rod Holder - Port and Starboard)
64	12432800	7	Holder, Rod (3 used on Port Quarter Box and 4 used on Stbd. Quarter Box)
65	12149000	2	Holder, Rod, Flush Mount (1 each Quarter Box - Port and Starboard)
66	82063900	2	Screw, #14x1" (1 each Flush Mount Rod Holder - Port and Starboard)
67	82061100	4	Screw, #1/4-20x1-1/2" (2 each Flush Mount Rod Holder - Port and Stbd.)
68	12308900	2	Plug, Brass
69	12127500	2	Fitting, Bulkhead





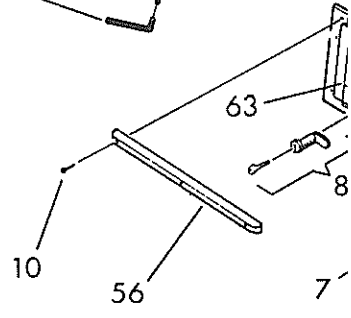
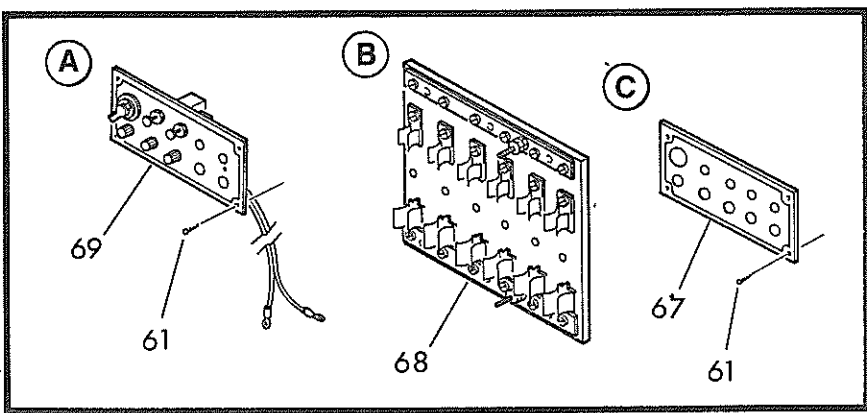
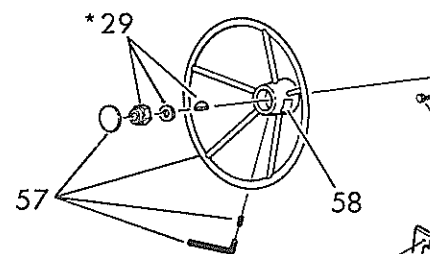
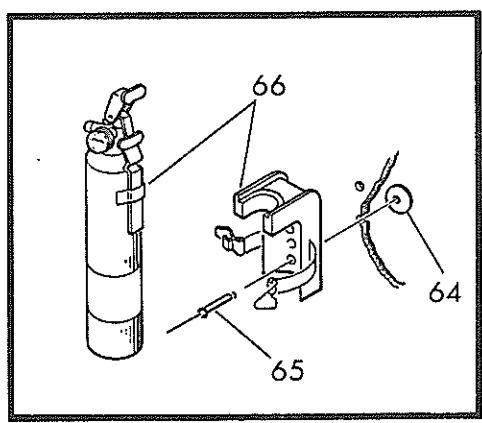
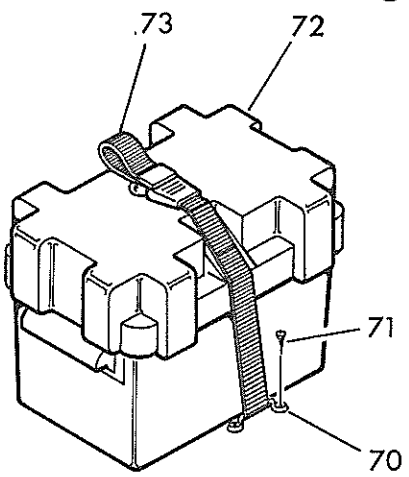
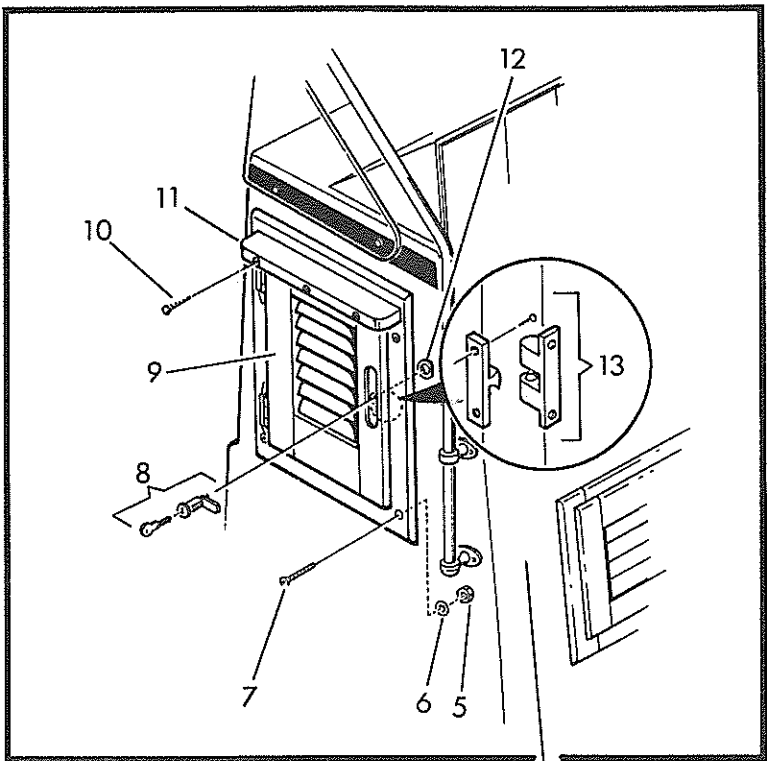
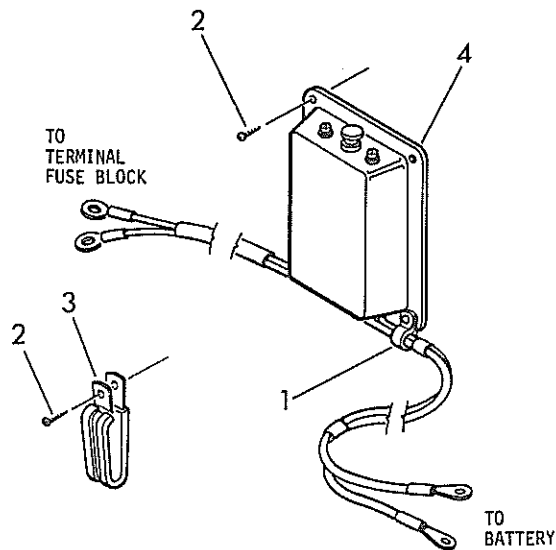
Det.	Part Number	Qty.	Description
70	12209700	2	Elbow, Street, 1/4"
71	12127400	2	Barb, Male
72	12127600	4	Clamp, Hose, Fuel Line
73	43020600	2	Hose, Fuel Line, 60"
74	82009900	4	Screw, #10x1" (2 used on each Endcap - Port and Starboard)
75	12329200	1	Endcap, Port
	12329300	1	Endcap, Starboard
76	82019700	2	Screw, #10x2-1/2" (1 used on each Endcap - Port and Stbd.)
77	12428100	2	Strake, Rub
78	82039800	32	Screw, #6x3/4" (16 each Rub Strake - Port and Starboard)

# 25' Outrage - Outboard

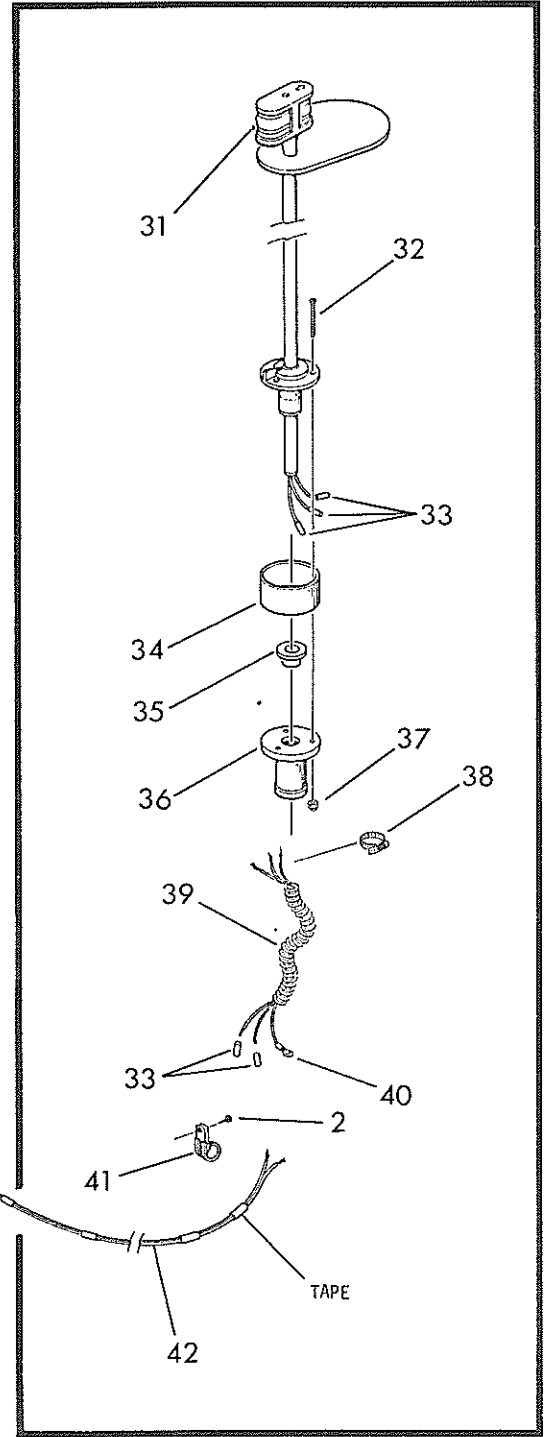
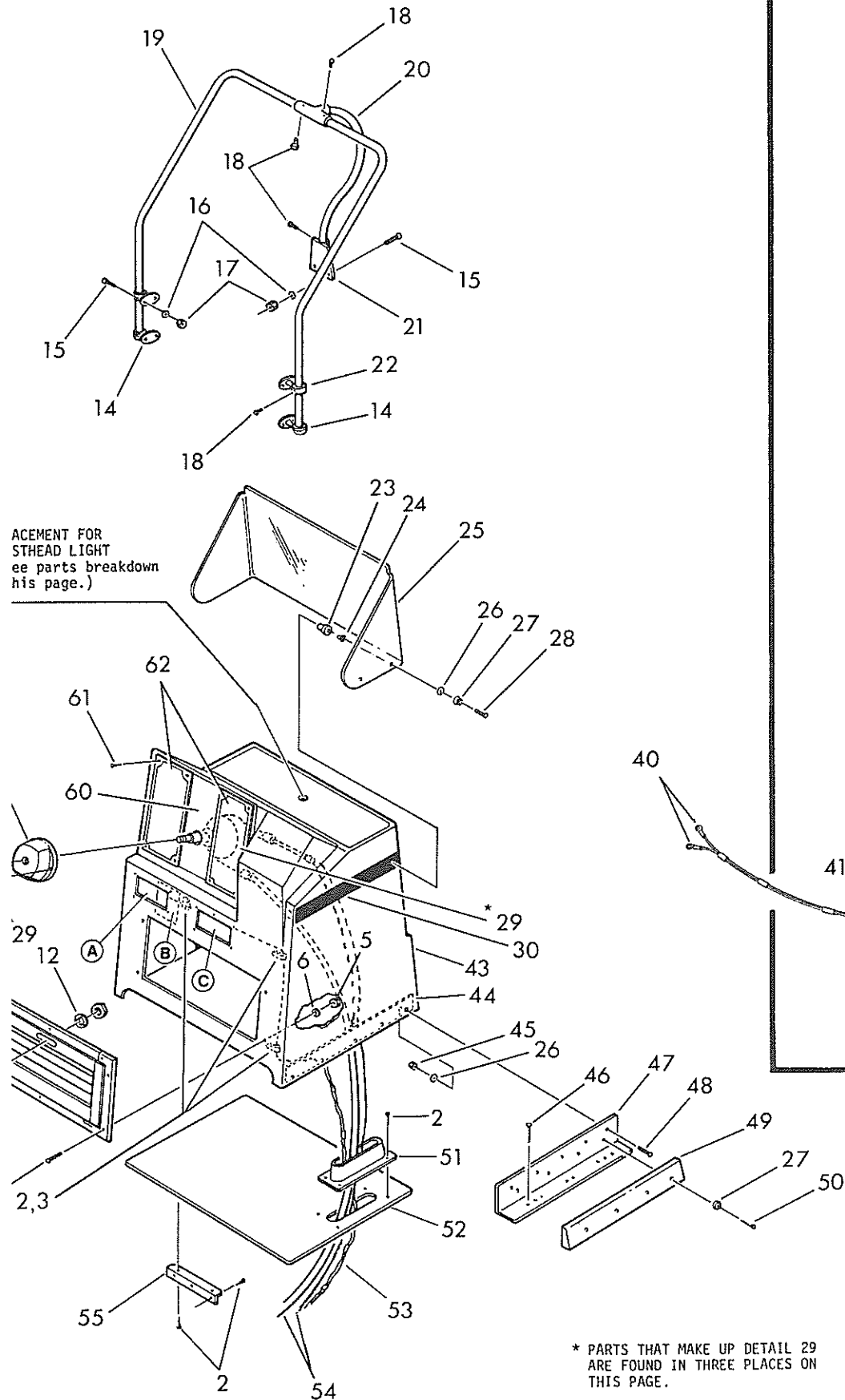


Det.	Part Number	Qty.	Description
1	12120600	2	Clamp, Support
2	82009800	38	Screw, #8x5/8"
3	12127300	6	Clip
4	12346100	1	Harness, Power w/Main Circuit Breaker
5	82145300	13	Stopnut, Elastic, Brass, #6-32
6	82061500	12	Washer, Flat, #6
7	82145200	13	Screw, #6-32x1-1/4"
8	12290700	1 pr	Lock
9	62272800	1	Door, Vertical
10	82183200	6	Screw, #8x1"
11	62272801	1	Gutter, Door
12	12290800	2	Washer, Anchor, Door Lock
13	12517600	2	Latch, Door, Brass (includes attaching hardware)
14	72082704	2	Stanchion, Support, Closed End
15	82019801	10	Screw, #10-24x1-1/2"
16	82091700	10	Washer, Flat
17	82114300	10	Stopnut, Elastic, Brass, #10-24
18	82020700	10	Screw, #10-24x1/2"
19	72266401	1	Rail, Console (includes (1) Large Rail Tee #72-0405-07, bent on)
20	72146202	1	Stanchion, Forward
21	72040506	1	Base, Rail
22	72082703	2	Stanchion, Support
23	82138500	7	Nut, Well, #610-32
24	12139300	7	Bushing, Nylon
25	12266000	1	Windshield, Console
26	82035200	17	Washer, Flat, #1/4"
27	82002800	17	Washer, Finish, #10
28	82017600	7	Screw, #10-32x1-1/4"
29	12440300	1	Steerer Kit, Hydraulic
30	43033700	6 ft	Tape, Striping, 1-1/2" Black
31	12330700	1	Light, Masthead, International
32	82332100	3	Screw, #8-32x3"
33	12044200	5	Splice, Terminal, Blue
34	12332400	1	Spacer, Masthead Light
35	12332200	1	Snap, Bushing, Black
36	12332300	1	Support, Light Pole
37	82158400	3	Stopnut, Elastic, Brass, #8-32
38	12126000	1	Clamp, Hose, Vent
39	12331000	1	Cord, Retractable Power
40	12018200	3	Terminal, Wire
41	12136700	1	Clamp, Support
42	12363600	1	Harness, Masthead Light
43	22542500	1	Console
44	12552000	2	Plate, Backup
45	82150900	10	Stopnut, Elastic, Brass, #1/4-20
46	82019300	16	Screw, #14x1-1/2"
47	12551900	2	Angle, Mounting
48	82297100	10	Screw, 1/4-20x1-3/4"
49	62552100	2	Strip, Trim, Console
50	82009600	4	Screw, #10x1-1/2"
51	12133800	1	Collar, Tunnel
52	62141200	1	Shelf, Console
53	12351300	1	Harness, Sternlight
54	12465500	2	Hoses, Steerer, 22' Hydraulic

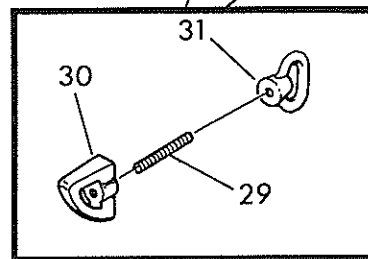
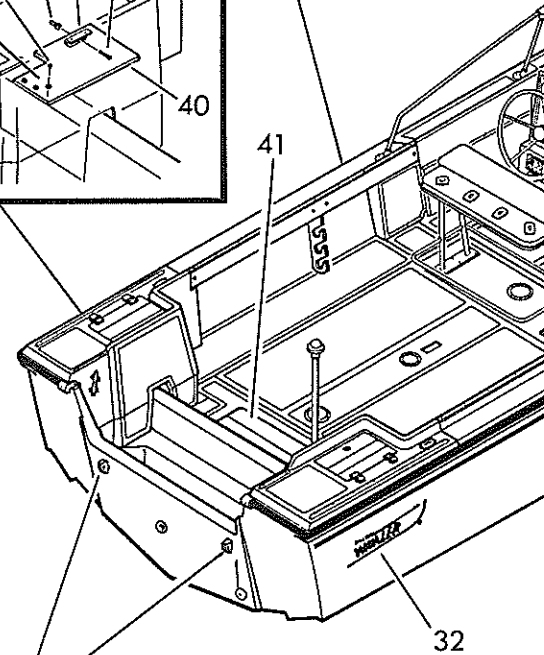
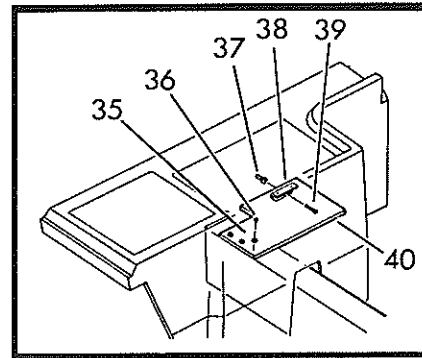
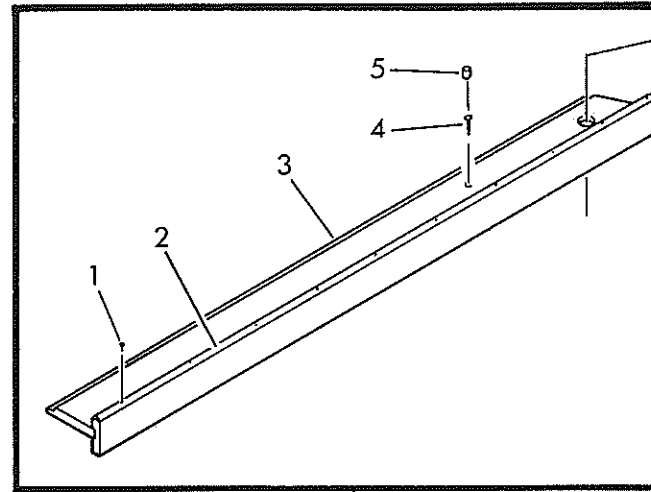
Det.	Part Number	Qty.	Description
55	12372500	4	Bracket, Shelf Support
56	62272901	1	Gutter, Horizontal Door
57	12083800	1	Wheel, Steering, Stainless Steel (to order packaged Stainless Steel Wheel Assembly use order number #15-0612-00.)
58	12133000	1	Label, Steering Pull Warning
59	12348900	1	Bezel, 90 degree
60	12542700	1	Cover, Dash
61	82092700	16	Screw, #6x1/2"
62	12344000	2	Panel, Instrument
63	62272900	1	Door, Horizontal
64	82016400	2	Washer, Flat, #10
65	82033700	2	Rivet, Pop, 3/16x1/2" Grip
66	12012400	1	Extinguisher, Fire
67	12345600	1	Panel, Switch, Starboard
68	12242500	1	Block, Fuse Terminal
69	12344600	1	Panel, Switch, Port
70	12354100	2	Strap, Deck
71	82009900	4	Screw, #10x1"
72	12348700	1	Box, Battery
73	12354000	1	Strap, Holddown



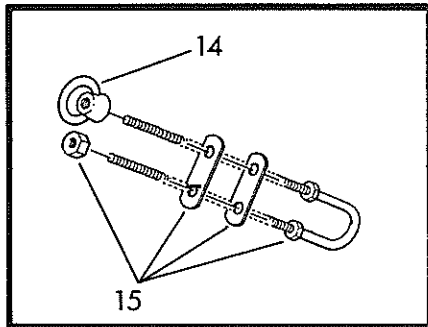
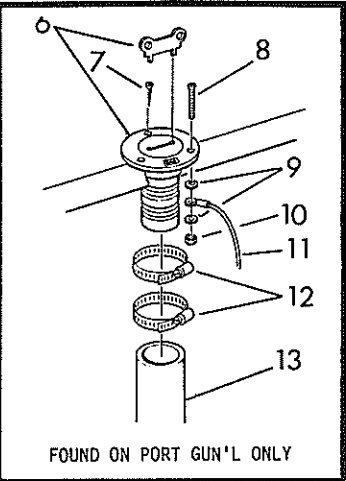
# 25' Outrage - Outboard



Det.	Part Number	Qty.	Description
1	82092700	28	Screw, #6x1/2" (14 used on each Gun'l Board - Port and Stbd.)
2	12299100	2	Strake, Rub (1 used on each Gun'l Board - Port and Stbd.)
3	62419300 62419400	1 1	Assembly, Gun'l Board, Port Assembly, Gun'l Board, Stbd.
4	82068500	20	Screw, #10x1-1/4" (10 used on each Gun'l Board - Port and Stbd.)
5	62158200	20	Bung, Teak (10 used on each Gun'l Board - Port and Stbd.)
6	12364000	1	Fill, Fuel
7	82009900	2	Screw, #10x1"
8	82019801	1	Screw, #10-24x1-1/2"
9	82114200	2	Washer, Flat
10	82114300	1	Stopnut, Elastic, Brass, #10-24
11	12334500	1	Wire, Ground, 6 ft.
12	12126200	2	Clamp, Fill Hose
13	43014300	1	Hose, Fuel Line, 66"
14	12017800	1	Nut, Eye, Chrome, 1/2"
15	12716300	1	Eye, Bow
16	12467500	1	Label, Capacity
17	12462200	1	Label, Tiebar
18	12442400	1	Label, Hydraulic Steering
19	12161900	1	Label, Vent Hose, No Drill
20	12214600	1	Label, Fuel Warning
21	12470100	1	Label, Fuel Filter
22	12310600	1	Label, Do Not Pull
23	12419100	1	Flex, Vinyl, 55 ft.
24	12419000	2	Rail, Rigid Rub, 28 ft.
25	82136100	124	Rivet, Pop, 3/16x5/8" Grip
26	43001100	1	Cord Zip, 2 Strand, 54 ft.
27	12424000	1	Post, Leaning
28	82019300	12	Screw, #14x1-1/2"
29	12255002	2	Stud, Eye, 4"
30	12255000	2	Head, Bow and Ski Eye
31	12320600	2	Nut, Eye
32	12308300	1 set	Decal, B.W. Logo, 28"
33	12417300	1 set	Decal, Outrage-25'
34	43026700	1	Tape, Striping, 1"x42 ft.
35	82002800	6	Washer, Finish, #10 (3 each side - Port and Stbd.)
36	82067800	6	Screw, #10x1-1/2" (3 each side - Port and Stbd.)
37	82072700	4	Nut, Well, #g10-32 (2 each side - Port and Stbd.)
38	12140300	2	Bracket, Shelf (1 each side - Port and Stbd.)
39	82062200	4	Screw, #10-32x1" (2 each side - Port and Stbd.)
40	62662200	2	Platform, V.R.O. (1 each side - Port and Stbd.)
41	62428700	1	Cover, Fishwell



# 25' Outrage - Outboard



**MAXIMUM CAPACITIES**

**12 PERSONS OR 1600 LBS.**

3000 LBS. PERSONS, MOTOR, GEAR  
300 H. P. MOTOR

THIS BOAT COMPLIES WITH U.S. COAST GUARD SAFETY STANDARDS IN EFFECT ON THE DATE OF CERTIFICATION

MANUFACTURED BY **BOSTON WHALER INC.**  
ROCKLAND, MASS.

DESIGN COMPLIANCE WITH ALL REQUIREMENTS BELOW IS VERIFIED BY U.S. COAST GUARD. RESPONSIBLE FOR PRODUCTION CONTROL.

LOAD AND H.P. CAPACITY • LEVEL FLotation  
NAVIGATION LIGHTS • STEERING • ELECTRICAL SYSTEMS  
COMPARTMENT VENTILATION • FUEL SYSTEM

BOATING INDUSTRY ASSOCIATIONS

16

**BOSTON WHALER**

This boat is set up for equal length twin cable steering which will service the following outboard engines:

Single OMC using their parallel entry connection kit.  
Dual OMC using their parallel entry connection kit and our tiebar kit part no. 15-0418-00.

**Caution!**— do not install dual OMC engines prior to receiving our tiebar kit.

Single MERCURY using their single engine twin cable kit.  
Dual MERCURY requires one of the cables to be replaced with one 2.5 feet longer and their dual engine, twin cable, compression-tension connection kit (includes tiebar).  
Engines must be mounted 29" apart center to center which will require extra length MERCURY components on the tiebar (refer to the compression-tension kit instructions).

17

**BOSTON WHALER**

This boat is set up with hydraulic steering. Dual engines must be mounted on 29 3/4" centers and special tiebar installed. Contact your dealer for correct tiebar.

12-4424-00

18

**NO DRILL**

(Vent hose beneath this cover)

19

**WARNING**

LEAKING FUEL IS A FIRE AND EXPLOSION HAZARD. INSPECT SYSTEM REGULARLY. EXAMINE FUEL TANKS FOR LEAKS OR CORROSION AT LEAST ANNUALLY.

20

Installation of an in-line fuel filter as recommended by the manufacturer of your outboard motor is advised.

12470100

21

**DO NOT PULL...**

this cord! The other end terminates under a white plastic cap in the bow locker and it is used for pulling wiring through from locker to console when a pump is installed in the locker.

22

