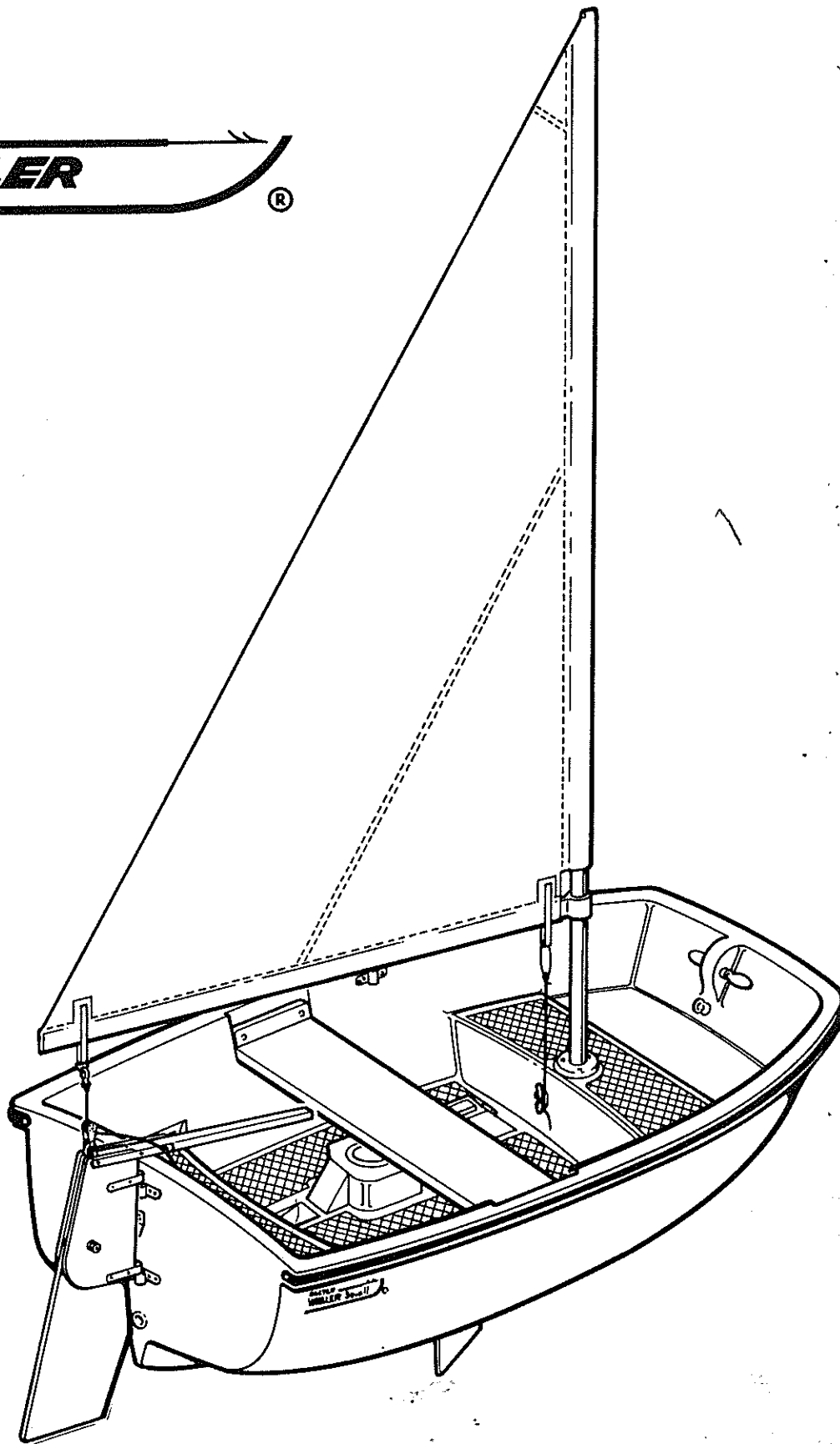


9' Squall

**BOSTON
WHALER**

®



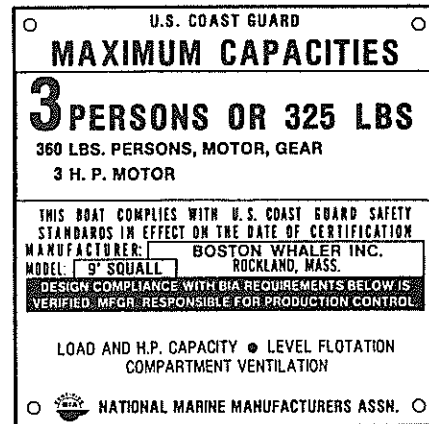


Det.	Part Number	Qty.	Description
1	12567700	1	Mainsheet
2	12567600	1	Sail
3	12568100	1	Downhaul, 5'
4	52078200	1	Boot, Rig
5	82002800	4	Washer, Finish, #10
6	82002400	4	Screw, #10x2"
7	62005900	2	Cleat
8	62034100	1	Seat
9	12567601	1	Gooseneck/Batten
10	12567802	1	Mast, Upper
11	12567801	1	Mast, Lower
12	12001600	1	Stud, 3/8x3-7/32"
13	12001700	2	Pin, Norman
14	12037100	2	Nut, Eye, Lifting
15	12025200	1	Seal, Eye, Bow
16	12230500	1	Eye, Bow
17	12026400	1	Cleat, Downhaul
18	82037000	2	Screw, Bronze, #8x1½"
19	12568700	1	Strap, Retaining
20	62566800	1	Cap, Plug, Daggerboard
21	43034200	1	Gasket, Plug, Daggerboard
22	12034000	1	Decal
23	12008900	2	O-Ring
24	12012800	1	Tube, Drain, 14"
25	12018100	1	Plug, Drain
26	12567400	2	Gudgeon
27	12322700	1	Lock, Rudder
28	82009800	2	Screw, #8x5/8"
29	82183200	8	Screw, #8x1"
30	62567200	1	Rudder
31	82150900	1	Stopnut
32	12567100	1	Head, Rudder
33	82035200	2	Washer, Flat, #1/4"
34	82105400	1	Screw, #¼-20x1½"
35	12572200	1	Shackle, Sailmakers
36	12000300	1	Block, Mainsheet
37	82408600	2	Nut, Barrel, #10-24
38	82002800	2	Washer, Finish, #10
39	82008200	2	Screw, #10-24x1"
40	62567300	1	Tiller
41	12656200	2	Anchor, Screw, #10
42	82002800	2	Washer, Finish, #10
43	82009900	2	Screw, #10x1"
44	12198100	1	Vinyl, Flex White, 25'
45	12197900	1	Vinyl, Rigid White, 25'
46	82059900	50	Rivet, Pop, 3/16x3/4"
47	12198000	1	Vinyl, Flex Black, 26'
48	12222500	1	Label, Capacity
49	82065700	4	Rivet, Pop, 1/8x1/4"
50	82009900	8	Screw, #10x1"
51	12567500	2	Socket, Oarlock
52	12001200	2	Horn, Oarlock
53	62567000	1	Daggerboard
54	82162500	2	Stud, Snap, Glove, #12
55	12566900	1	Escutcheon, Mast
56	82161100	3	Screw, #6x1"

15097800	1	Sailing Package (includes details 2,9,10,11,26, 27,28,29,53 and Assemblies 15097900 and 15099000 listed below)
15097900	1	Rudder Assembly (includes details 30, 31, 32,33, 34, 37, 38, 39 and 40)
15099000	1	Run Rigging Package (includes details 1,3,35,36 and 15099001 Running Rigging Instruction Drawing)

Pamphlets

12316100	Boat Pamphlet
12448200	Boston Whaler Owner's Manual
15099001	Running Rigging Instruction Drawing
15099100	Packing List
32013100	Owner's Instruction Check List
32013200	Owner's Instruction Envelope
32015400	GC 290 Coast Guard Regulation Booklet



48

