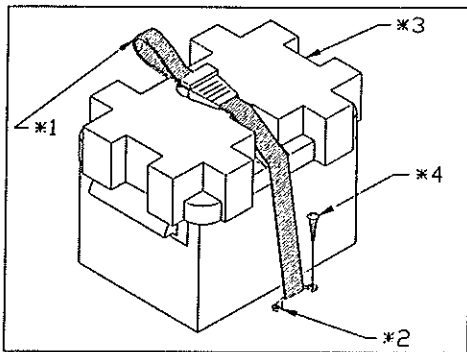
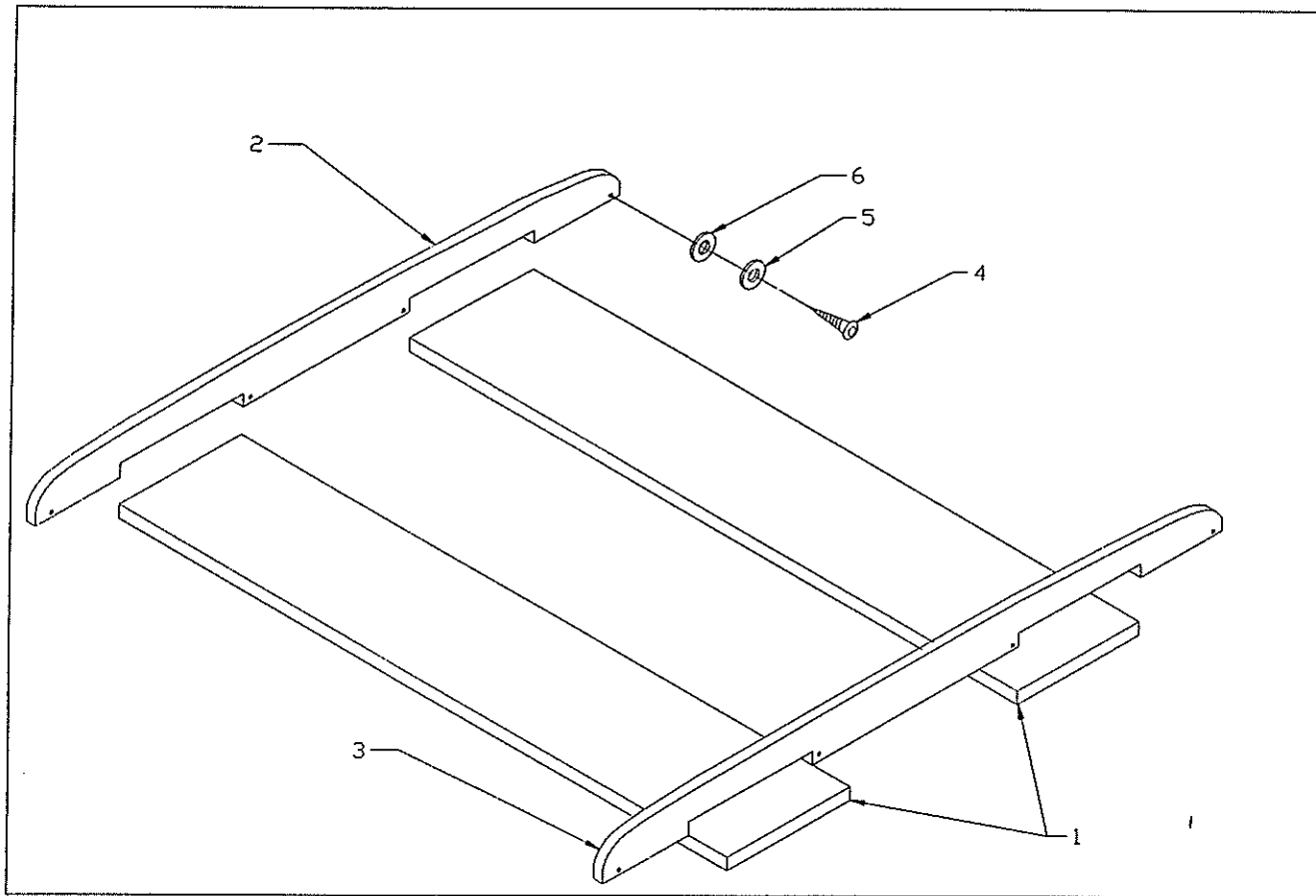


PARTS LIST 11' BASE/BARE HULL

Det	P/N	Qty	Desc	Det	P/N	Qty	Desc
1	12-5574-00	2	Pin, Norman	20	12-E617-00	1	Thru-Hull,PVC
2	12-0016-00	1	Stud,3/8X3-1/32,THRD3/8-24	21	12-E617-01	1	Nut,Retaining,Thru-Hull,PVC
3	12-2550-00	1	Bow,Ski Eye,Head	22	12-0181-00	1	Plug,Drain,lin Tube
4	12-2550-01	1	Eye Shank,6-5/8SS,1/2-13	23	12-H791-00	2	U-Bolt,1/2X4
5	12-9525-00	3	Eye,Lifting,Small,1/2 CHR	24	82-H131-00	2	Nut,Acorn,1/2-13
6	43-0350-00	6in	Tubing,3/8IDX1/2OD	25	12-H837-00	1	Rub-Rail,27'#F2124
7	12-E629-00	2	Drain,Flush,Impact 5/8	26	12-H838-00	1	Insert,R-Rail,27'#F713
8	12-A097-01	1	CVR,Pour Hole	27	12-H780-00	1	End Cap,Port
9	82-0735-00	2	SCR,#8X1/2	28	12-H780-01	1	End Cap,Stbd
10	12-0003-01	2	Strap,Eye,Flat	29	82-G492-00	2	SCR, THSMS #10x2
11	15-0605-00	1	Shock Cord Assy.	30	12-H702-00	2	Decal,B.W. Logo,18"FireRed
12	62-1983-00	1	CVR,Locker,FWD				
13	82-0337-00	2	RVT,Pop3/16X5/8				
14	43-G111-00	3FT	Trim,RGD.VYL,BLK,TWV-3604				
15	82-G937-00	4	SCR,THSMS#10X3/4SS/CP				
16	12-H437-00	1	Emblem,BW,Strg.Wheel Cap				
17	12-1608-00	1	Clamshell,Vent				
18	82-0389-00	3	SCR,#6X3/4				
19	82-H781-00	58	SCR,#10X1-1/2				

\* NUMBERS ARE OPTIONS.



**OPTIONS: 11' TENDER**

\* OPTIONS SHOWN

P/N	Qty	Desc
52-H856-00	1	Mooring Cover(After 1/95)
12-0012-00	PR	Barlock-Horn
12-0088-00	1	Fuel Tank Mat, 6 gal
Battery Box w/Holddown Kit		
Det	P/N	Qty Desc
*1	12-3540-00	1 Hold-Down Strap
*2	12-3541-00	2 Deck Bracket
*3	12-3487-00	1 Box, Battery, Tan, #90-68A1
*3	12-8002-00	1 Box, Battery, Black 85AMP
*4	82-0099-00	4 SCR,DHSMS #10x1

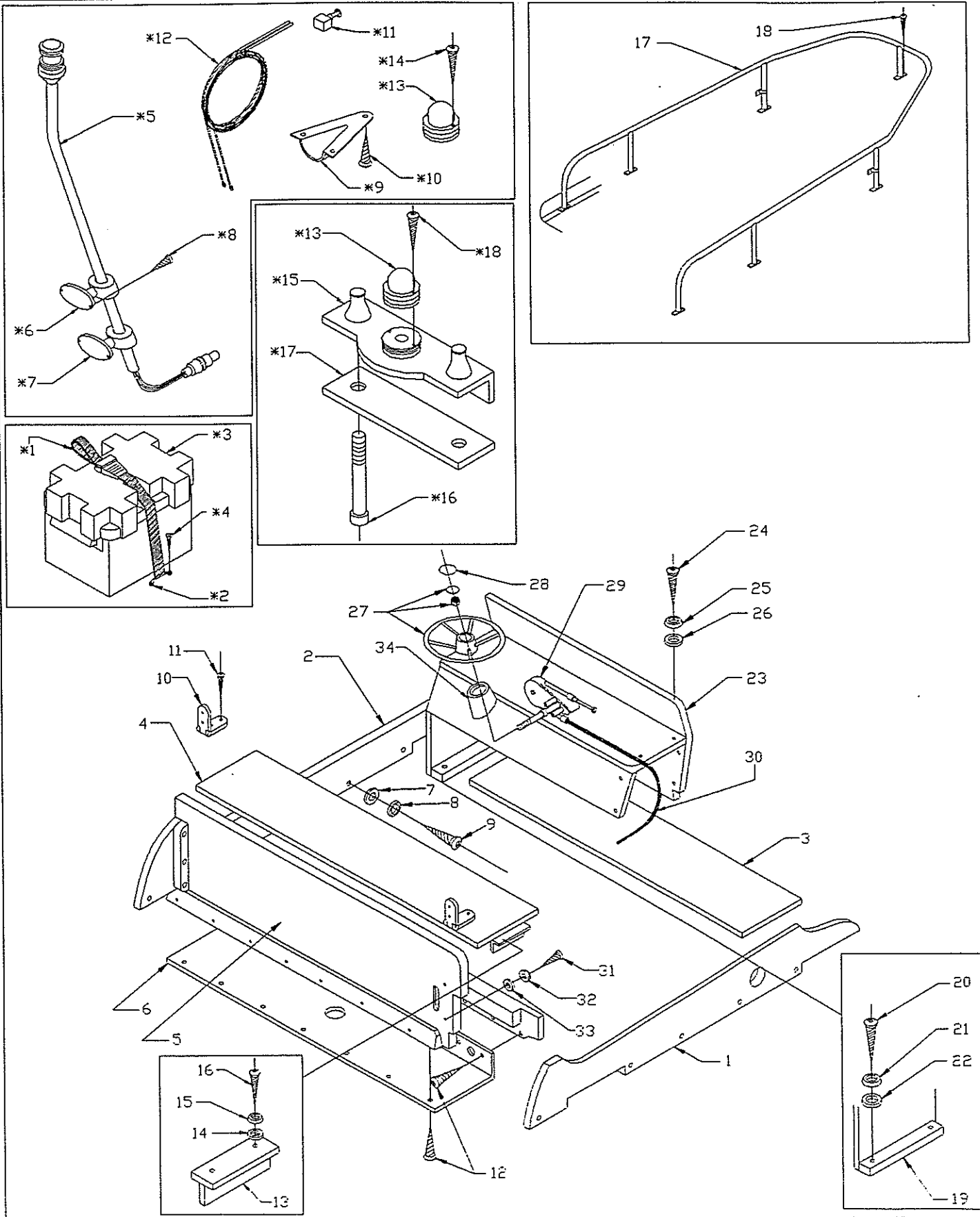
**PARTS LIST: 11' TENDER**

Det	P/N	Qty	Desc
1	62-A017-00	2	Seat
2	62-A016-01	1	Clamp,Seat,Port
3	62-A016-02	1	Clamp,Seat,STBD
4	82-3723-00	8	SCR#10x1-3/4
5	82-0028-00	8	WSHR,FNSH #10
6	82-A006-00	8	WSHR,FL#10 NYL

BOSTON  
WHALER

# .11' SUPER SPORT

\* NUMBERS ARE OPTIONS



PARTS LIST: 11' SUPER SPORT

OPTIONS: 11' SUPER SPORT

Det	P/N	Qty	Desc
1	62-6534-00	1	Assy,Riser,STBD
2	62-6533-00	1	Assy,Riser,Port
3	62-6576-00	1	Seat,FWD
4	62-6527-00	1	Seat,Aft
5	62-6528-00	1	Assy,Seatback,Aft
6	12-6526-00	1	Locker,Tan
	12-6526-01	1	Locker,White
7	82-A006-00	10	WSHR,FL#10 NYL,.187IDX.6250D
8	82-0028-00	10	WSHR,FNSH,#10SS
9	82-9427-00	10	SCR,DHSMS#10X1-1/2SS/CP
10	12-1405-00	PR	Hinge,Strap,4X1"SS
11	82-1049-00	8	SCR,DHSMS#10X3/4SS/CP
12	82-0098-00	14	SCR,THSMS#6X5/8SS/CP
13	62-6531-00	2	Assy,Cleat
14	82-A006-00	4	WSHR,FL#10NYL .187IDX.6250D
15	82-0028-00	4	WSHR,FNSH#10SS
16	82-9427-00	4	SCR,DHSMS#10X1-1/2SS/CP
17	72-H831-00	1	Rail,Bow,'95
18	82-9427-00	18	SCR,DHSMS#10X1-1/2SS/CP
19	62-7234-00	1	Cleat,Floor
20	82-9427-00	2	SCR,DHSMS#10X1-1/2SS/CP
21	82-0028-00	2	WSHR,FNSH#10SS
22	82-A006-00	2	WSHR,FL#10NYL,.187IDX.6250D
23	62-6543-00	1	Assy,Wheel Box
24	82-9427-00	6	SCR,DHSMS#10X1-1/2SS/CP
25	82-0028-00	6	WSHR,FNSH#10SS
26	82-A006-00	6	WSHR,FL#10NYL,.187IDX.6250D
27	12-0838-00	1	Wheel,STRG,16"DIA,SS
28	12-H437-00	1	Emblem,BW,STRG Wheel Cap
29	12-G159-00	1	Helm Unit,NFB#SH4910
30	12-G606-00	1	Cable,STRG,9"NFB
31	82-9427-00	4	SCR,DHSMS#10X1-1/2SS/CP
32	82-0028-00	4	WSHR,FNSH#10SS
33	82-A006-00	4	WSHR,FL#10NYL,.187IDX.6250D
34	12-3490-00	1	Bezel,20*MNT,BLK,Teleflex

P/N	Qty	Desc
Battery Box w/Holddown Kit		
*1	12-3540-00	1 Hold-Down Strap
*2	12-3541-00	2 Deck, Bracket
*3	12-3487-00	1 Box,Battery,Tan,#90-68A1
*3	12-8002-00	1 Box,Battery,Black 85AMP
*4	82-0099-00	4 SCR,DHSMS #10x1
Nav. Lights A/D 024200		
*5	12-1599-03	1 Light, Stern 36x3/40D
*6	12-0079-04	1 Base, Stern Light, Upper
*7	12-0079-05	1 Base, Stern Light, Lower
*8	82-0099-00	4 SCR, #10x1 PH OVAL
*9	12-1608-00	1 Clamshell,Vent,2x2,CHR
*10	82-0389-00	3 SCR,DHSMS #6x3/4
*11	12-2394-00	1 Switch, Light
*12	36-H841-00	1 Harness, Nav.Light
*13	12-0084-00	1 Light,Bow,Perko,#5999
*14	82-H820-00	2 SCR, #6x1 PHIL, Pan
Bow Chock Kit		
*15	12-3222-00	1 Chock, Bow
*16	82-0931-00	2 SCR, FHMS 5/16-18x3-1/2
*17	12-C823-00	1 Plate, Backup, Bow Light
*18	82-7770-00	2 SCR, PHMS 6-32x1
	12-0094-00	1 Compass,"Explorer"DK/MNT
	12-0088-00	1 Fuel Tank Mat, 6 gal
	12-0012-00	PR Barlock-Horn
	50-J177-00	1 Cushion, Bow, WHT/Grey
* OPTIONS SHOWN		