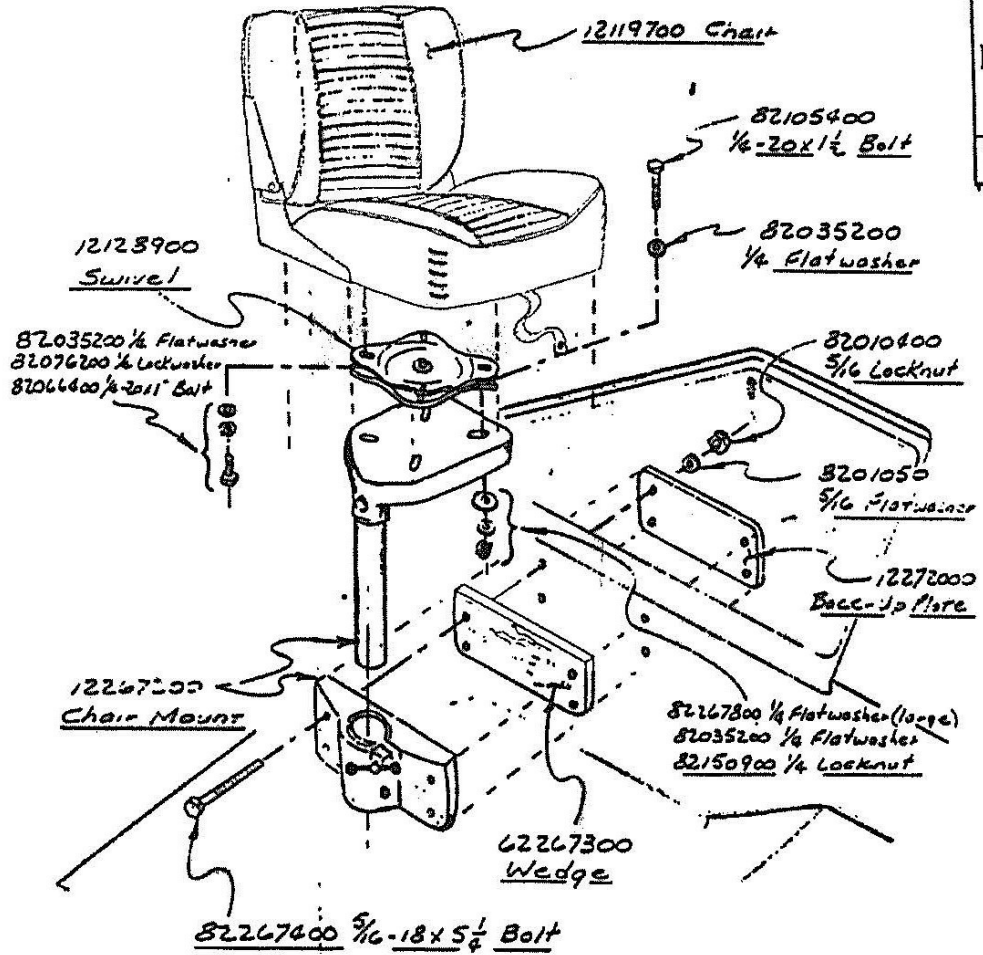


FORWARD PEDESTAL SEAT KIT 15025300

Installation Instructions

- ① Use 62267300 wedge as a template; locate it on the boat's centerline with its top edge flush with that of the bulkhead as shown. Drill the (4) 3/8" holes through the bulkhead.
- ② Mount the 12267200 chair mount with 62267300 wedge and 12272000 back-up plate to bulkhead with (4) 5/16 x 5/8 bolts, flat washers and locknuts provided as shown.
- ③ Fasten the 12128900 swivel to 12119700 chair with (4) 1/4 x 1" bolts, and lock washers provided.
- ④ Mount the chair with swivel, to chair mount with (4) 1/4 x 1 1/2 bolts, flatwashers, large flatwashers, lockwashers and locknuts provided.
- ⑤ Install pedestal downstop bolt and lockwasher in proper hole as shown in sketch to prevent tube from hitting deck.



PARTS LIST

Part #	Description	Qty.
12119700	Chair	1
12128900	Swivel	1
12267200	Chair Mount	1
62267300	Wedge	1
12272000	Back-up Plate	1
82010400	Locknut 5/16-18	4
82010500	Flatwasher, 5/16	4
82035200	Flatwasher, 1/4	12
82066400	Bolt, 1/4-20 x 1"	4
82076200	Lockwasher, 1/4	5
82105400	Bolt, 1/4-20 x 1 1/2	4
82150900	Locknut 1/4-20	4
82267400	Bolt, 5/16-18 x 5/8	4
82267800	Flatwasher, 1/4 I.D. x 7/8 O.D.	4
15025301	Instruction dwg.	1

DWG NO. 15025301		SHEET OF	
ENGINEERING DEPARTMENT			
Boston Whaler, Inc.			
Rockland, Mass. 02370			
SCALE	DATE	DRAWN	CHECK'D
1/1	6/29/68	ZZ	Jay
APPRO			

Rev. (C)