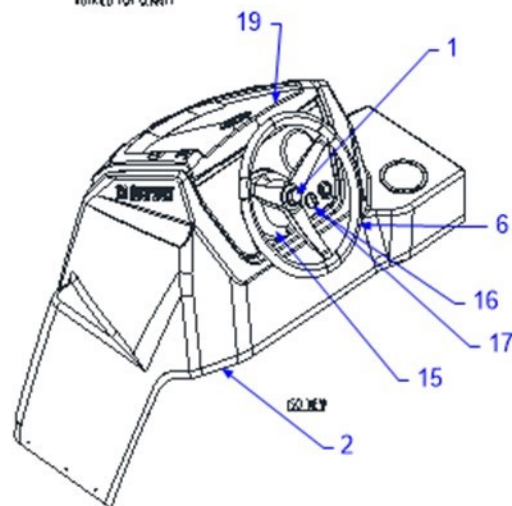
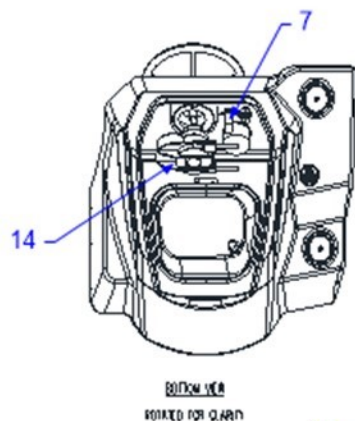
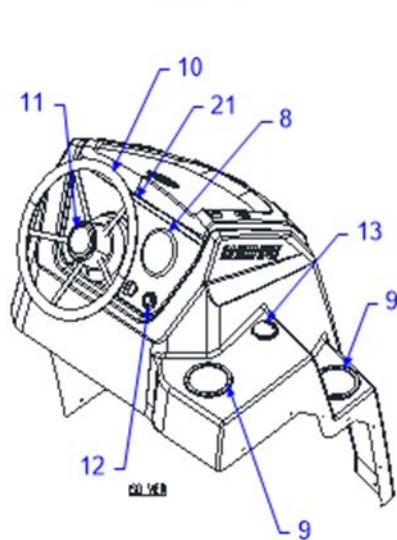
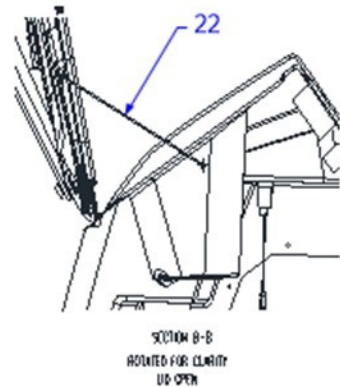
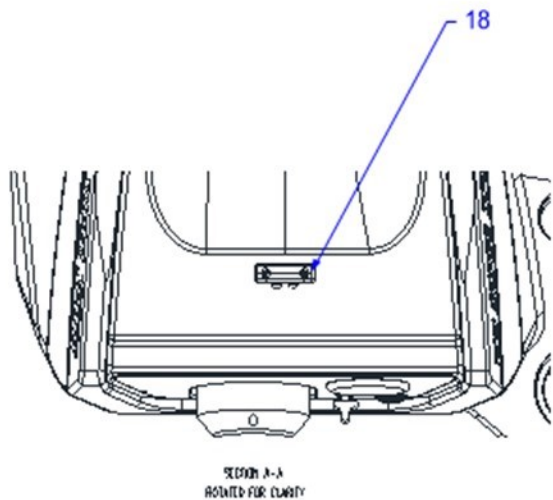



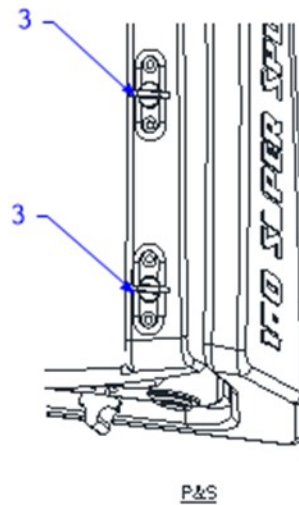
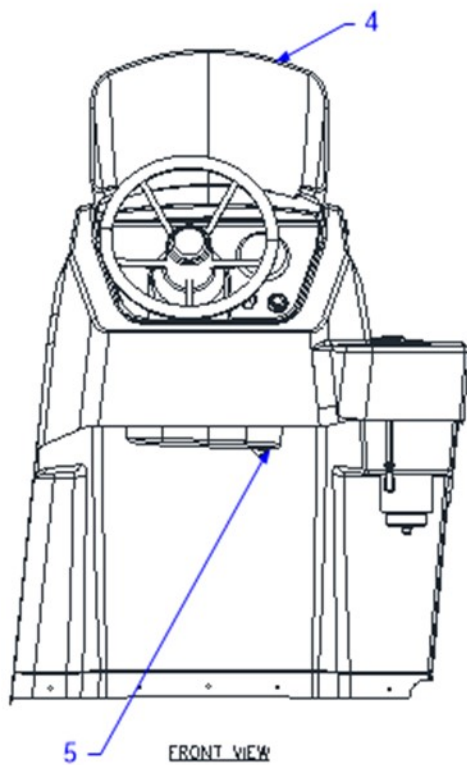
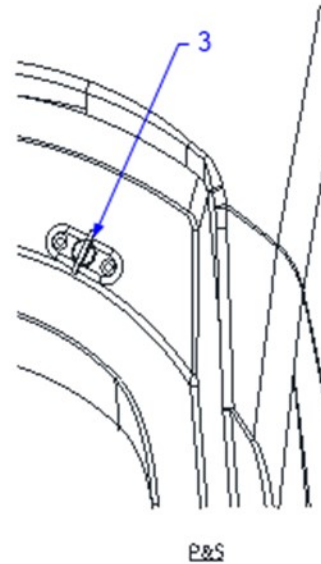
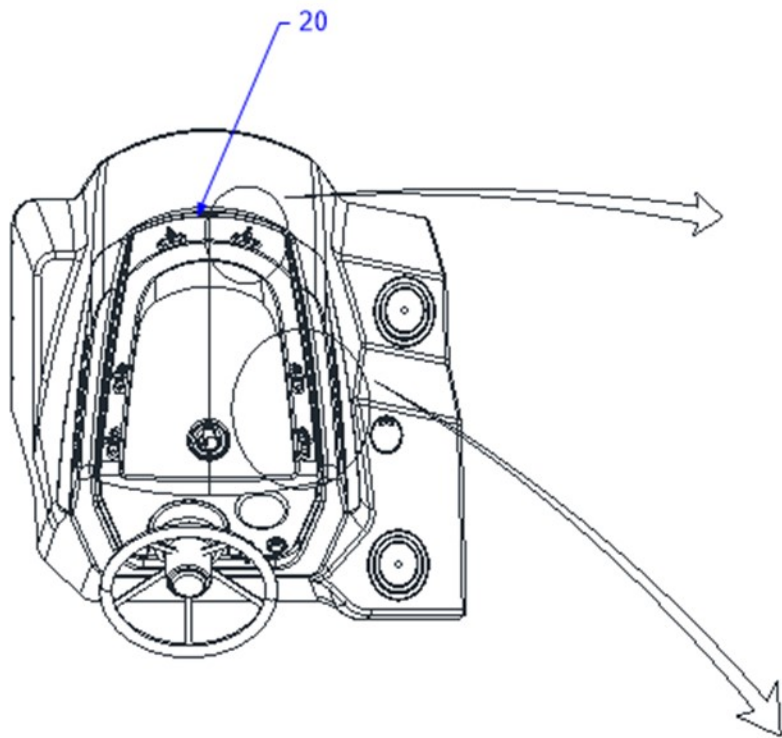


Ref	Part	Image	Description
1	1617323	No Image	HINGE, DOOR SS 1.5"X 3" THINLINE
	2351672	No Image	Alternate Part: HINGE, DOOR SS 1.5"X 3" THINLINE BW-20
2	1142348	No Image	STOP, DOOR HOLDER RBR BLK

BOTTOM VIEW

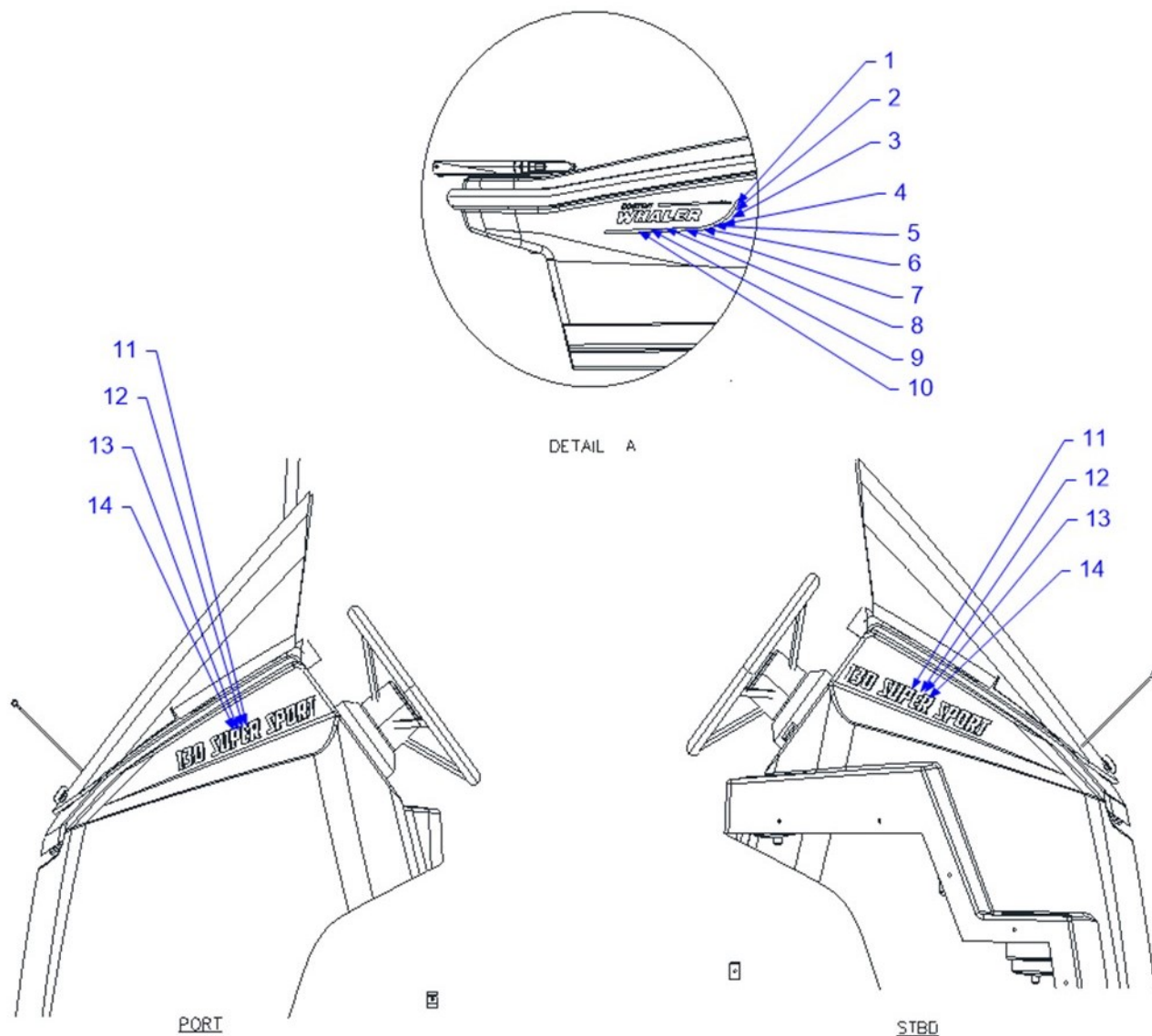


Ref	Part	Image	Description
1	1951001	No Image	STEERING, NUT 712 CAST SS W/BW LOGO OPT: 100-76024
2	1955614		TRIM, EDGE MOLDING WHT VNYL
6	1940285	No Image	STEERING WHEEL, 13.5" EVO PRO 3SPKE SS BLK GR OPT: 100-76024
7	1958572	No Image	SWITCH, ROTARY 3-POS ANCH-OFF-NAV W/O KNOB
8	1948067	No Image	GAUGE, TACH 7K MERC WHT FACE W/CHR BEZEL STD & OPT: 100-70005, DEL W/ OPT: 020-70405
9	1851597		CUPHOLDER, W/DRAIN BLK
10	1970036	No Image	STEERING WHEEL, 13 1/2"
11	1021054	No Image	EMBLEM, BW STEERING WHL CAP
12	1287283		RECEPTACLE, FEMALE 12V LONG THRD BLK
13	2308021	No Image	LIGHT, NAV BASE SS CAP W/DEUTSCH THRD CL
14	626143	No Image	STEERING, HELM NFB SGL
15	626150	No Image	STEERING, BEZEL 90DEG NFB SGL
16	1733593	No Image	KNOB, ROTARY SW NAV BLK/BLK
17	2062554	No Image	LABEL, BW-11 ANCH/OFF/NAV DELETE W/OPT: 100-08929
18	2317741	No Image	CLEAT, HDPE BW13SPT-19 CNSL LID STRK PLT
19	2316042	No Image	LID, ABS BWSPT-19 CONSOLE STORAGE
21	2317264	No Image	DECAL, BWSPT-19 DASH OVERLAY OPT: 100-08929
22	2316010	No Image	CABLE, SS BWSPT-19 CONSOLE LID TETHER



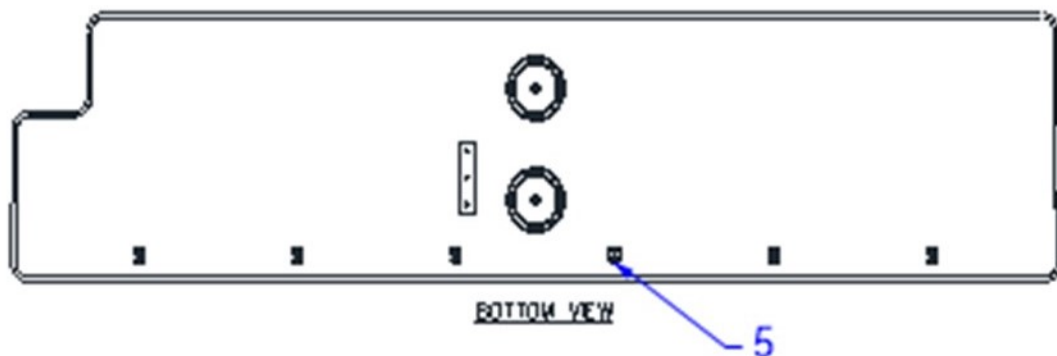
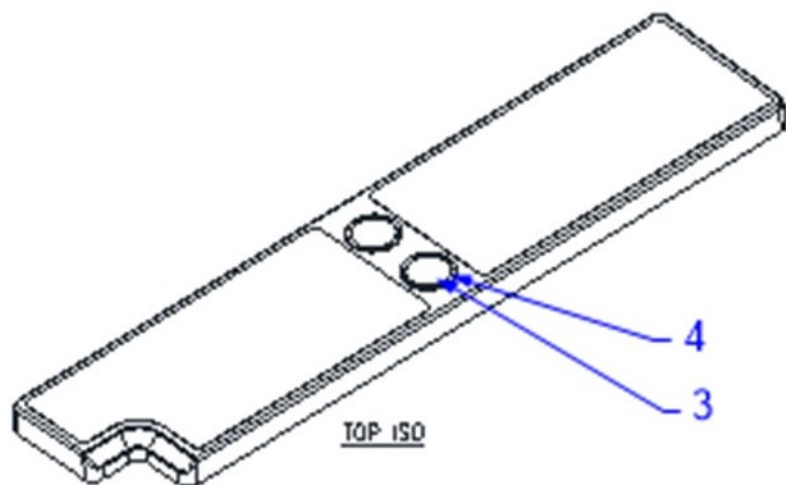
Ref	Part	Image	Description
3	2107500	No Image	STUD, BW-13 DART WING BLACK OPT: 100-08930
4	2316071	No Image	W/S, ACRY BWSPT-19 CNSL SMOKED OPT: 100-08930
5	518878	No Image	DRAIN SLEEVE, FLUSH IMPACT 5/8" WHT
20	2318032	No Image	LID, ABS BWSPT-19 CONSOLE W/ W/S HDWR

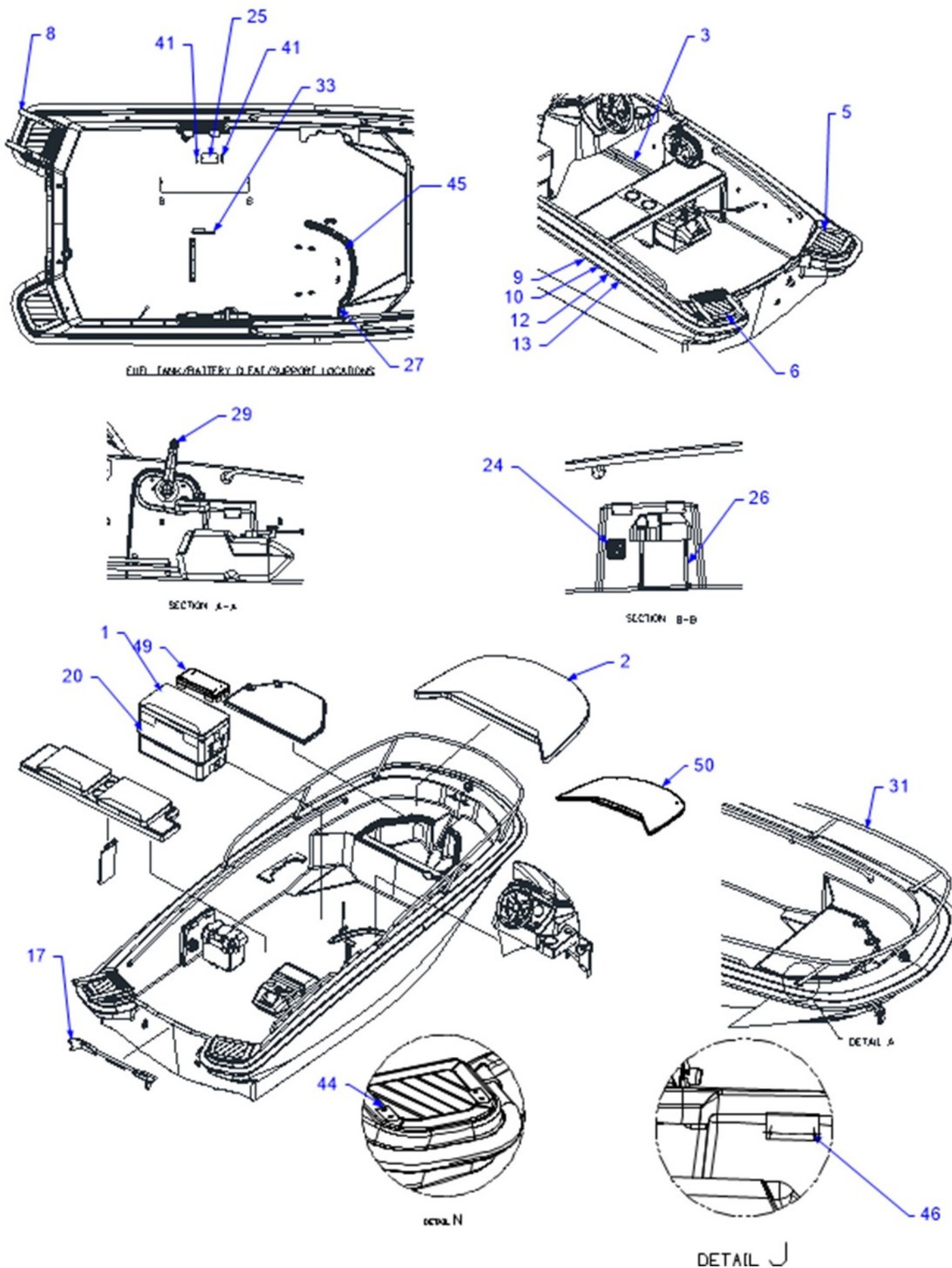






Ref	Part	Image	Description
1	2333798	No Image	DECAL, BW LOGO 20" CC PRT (DRIP MOLD)WHITE OPT:010-00841
2	2333801	No Image	DECAL, BW LOGO 20" CC STB (DRIP MOLD) WHITE OPT:010-00841
3	1752937	No Image	DECAL, BW-04 LOGO 20" RED PRT (DRIP MOLD) STD , OPT: 010-00729
4	1752938	No Image	DECAL, BW-04 LOGO 20" RED STB (DRIP MOLD) STD , OPT: 010-00729
5	1948643	No Image	DECAL, BW-09 LOGO 20" BLK PRT (DRIP MOLD) STD , OPT: 010-00733
6	1948644	No Image	DECAL, BW-09 LOGO 20" BLK STBD (DRIP MOLD) STD , OPT: 010-00733
7	1752939	No Image	DECAL, BW-04 LOGO 20" DK BLUE PRT (DRIP MOLD) STD , OPT: 010-00764
8	1752940	No Image	DECAL, BW-04 LOGO 20" DK BLUE STB (DRIP MOLD) STD , OPT: 010-00764
9	2313739	No Image	DECAL, BW-19 LOGO 20" CHR PRT STD , OPT: 010-00841
10	2313740	No Image	DECAL, BW-19 LOGO 20" CHR STBD STD , OPT: 010-00841
11	2318360	No Image	DECAL, BW13SPT-19 BLACK STD , OPT: 010-00733
12	2316020	No Image	DECAL, BW13SPT-19 RED STD , OPT: 010-00729
13	2318362	No Image	DECAL, BW13SPT-19 SILVER STD , OPT: 010-00841
14	2318361	No Image	DECAL, BW13SPT-19 BLUE STD , OPT: 010-00764

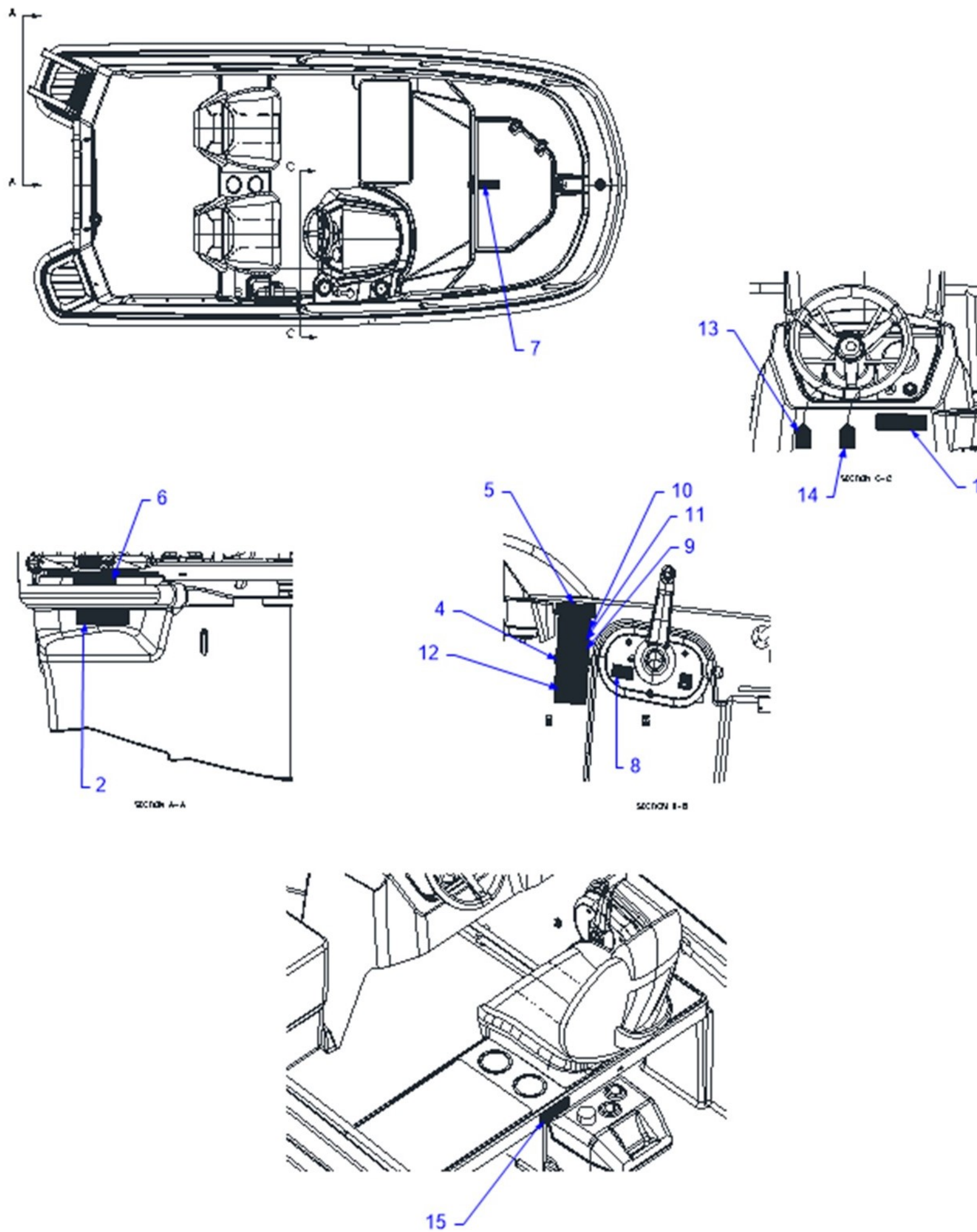
Ref	Part	Image	Description
3	1038876	No Image	SEAT, BW-97 FISHING WHT OPT: 100-05328, 02879
4	1938827	No Image	HOLDER, DRINK SS STEPPED N/MNT TAPE DELETE W/OPT: 100-76012, 100- 11540, 100-11448, AND 100-11541
5	1031764	No Image	TIE, CLIP BLK



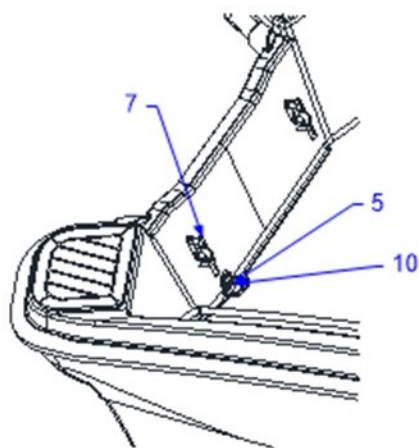
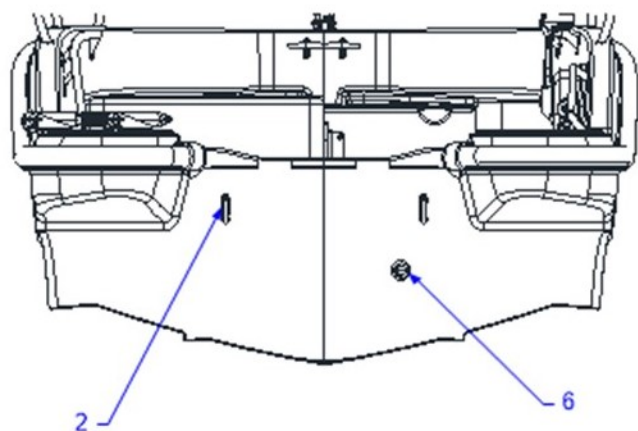
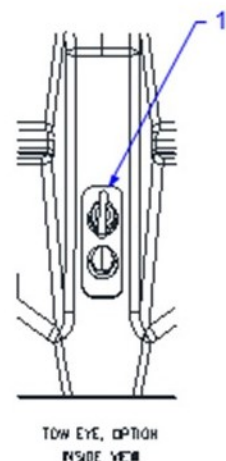
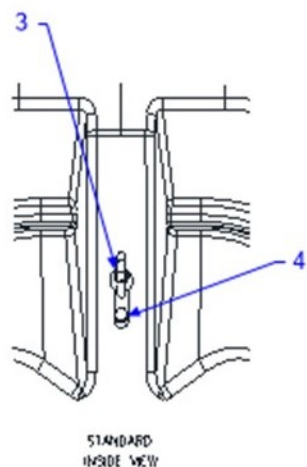
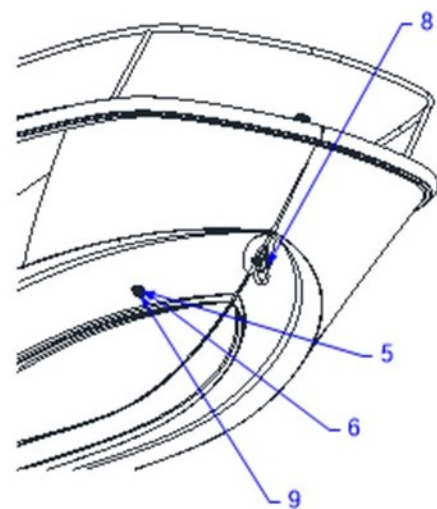


Ref	Part	Image	Description
1	2316018	No Image	CUSH, BW13SPT-19 COOLER 50QT OPT: 100-02877
2	2316017	No Image	CUSH, BW13SPT-19 BOW OPT: 100-05354
3	2309157	No Image	LIGHT, NAV A/R STERN 60" FLDB THRD CL
5	2316025	No Image	FLOORING, SYNTHETIC BW13SPT-19 STB AFT OPT: 100-10313
6	2316024	No Image	FLOORING, SYNTHETIC BW13SPT-19 PRT AFT OPT: 100-10313
8	2316041	No Image	LADDER, SWIM 4-STEP TELESCOP W/9" BRKT
9	2316063	No Image	RUBRAIL, PREBENT PVC ARCW BW13SPT-19 STB OPT: 100-09200
10	2316061	No Image	RUBRAIL, PREBENT PVC ARCW BW13SPT-19 PRT OPT: 100-09200
12	2316040	No Image	INSERT, PREBENT SS BW13SPT- 19 STB OPT: 100-09200
13	2316038	No Image	INSERT, PREBENT SS BW13SPT- 19 PRT OPT: 100-09200
17	2316013	No Image	CAP, BW13SPT-19 TRNSM W/NOTCH WHT
20	1972121	No Image	COOLER, 50QT COLEMAN W/SS HINGES WHT OPT: 100-76016
24	1892808		SWITCH, BATT MINI ON/OFF W/BACK OPT: 100-70998
25	1878246	No Image	CLEAT, POLY BW-07 BATT BOX WHLR WHT
26	650598	No Image	HOLDER, BATTERY GR24 FULLY ENCL
27	2350516	No Image	CLEAT, HDPE FUEL TANK (MOELLER 6.5)(EPA) MY20 STD&OPT:100:7005 DELETE W/OPT: 020-70405
29	2205041		CONTROL, SIDE MNT REMOTE 2016 15" W/TRIM STD & OPT: 100-70005 ; DELETE W/OPT: 020-70405
31	2316052	No Image	RAIL, SS BOW BW13SPT-19 OPT: 100-70059
33	1943402	No Image	SUPPORT, BW13SS-09 BENCH SUPPORT
41	1042837	No Image	BRACKET, BW-97 BATT HOLDDOWN 1.25"CHR/PLT
44	2326146	No Image	SHIM, ABS BW-19 LADDER 1.375X3X0.25 BLK OPT: 100-10313
45	1232156	No Image	TRIM-SEAL, #X1333BT SELF-ADH BLK
46	836007	No Image	BRACKET, ALUM 1.5"X 1.5"X 3" 3/16"HOLES
49	2338113	No Image	CUSH, BW13SPT-20 COOLER 50QT WHT OPT:100-11453
50	2338112	No Image	CUSH, BW13SPT-20 BOW WHT OPT:100-11449



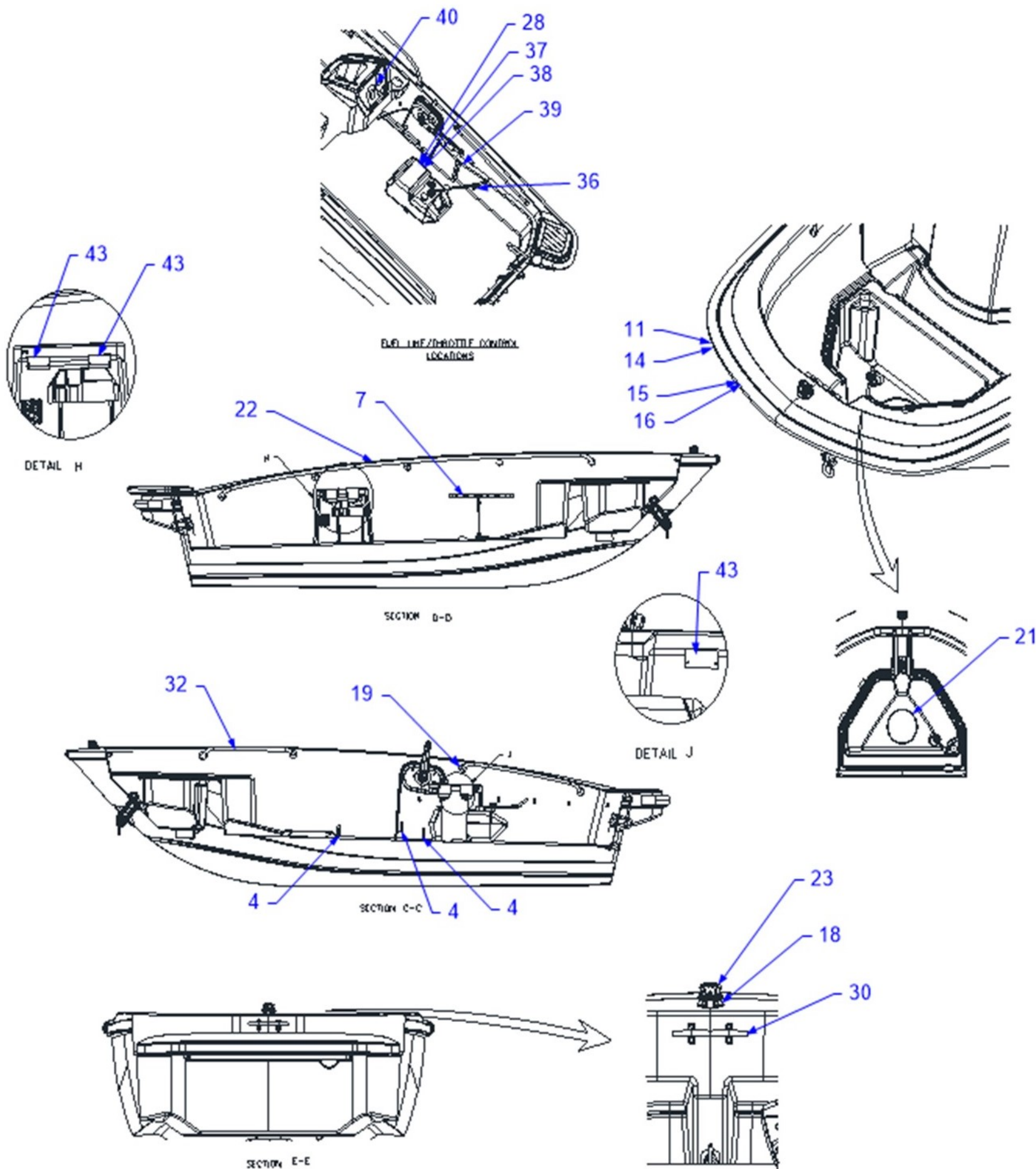



Ref	Part	Image	Description
1	1811368		LABEL, DANGER CO HELM 06
2	1811367		LABEL, DANGER CO TRANSOM 06
3	1016955	No Image	LABEL, BW WINDSHIELD CARE
4	1939279	No Image	PLATE, BW-08 MAX ENG WT 235LB/107KG STD DEL W/ OPT: 100-71000
5	1950698	No Image	DECAL, PROP LABEL DASH
6	1903624	No Image	DECAL, PROP TRNSM LABEL
7	1836858	No Image	LABEL, BW-07 CAUTION AVOID INJURY BOAT MOVMT
8	2156485	No Image	DECAL, MERC WEAR YOUR LANYARD
9	2316050	No Image	PLATE, BUILDERS AU BW13SPT-19 OPT: 100-71000
10	2316051	No Image	PLATE, BUILDERS CE BW13SPT-19 OPT: 100-70998
10	2316051	No Image	PLATE, BUILDERS CE BW13SPT-19 OPT: 100-70998
11	2316047	No Image	PLATE, NMMA BW13SPT-19
12	2316066	No Image	STICKER, SAFETY CANADIAN CAP BW13SPT-19 OPT: 100-70995
13	1795087	No Image	LABEL, PROP 65 HANG TAG
14	2304853	No Image	HANG TAG, ETHANOL E10 WARNING
15	1971919	No Image	LABEL, WARNING SECURE SEAT W/LATCH OPT: 100-05327, 76011



Ref	Part	Image	Description
1	2316023	No Image	EYE, BOW TOW BWSPT-19 W/BACKING PLATE SS STD, DEL W/ OPT: 100-70532
2	126557	No Image	EYE, BOW 1/2"X 3 7/16" SS
3	1750949	No Image	EYE, LIFTING 1/2" SS STD, DEL W/ OPT: 100-70532
4	1838459	No Image	EYE, BOW 1/2"X 5.25" SS STD, DEL W/ OPT: 100-70532
5	1806032	No Image	THRU-HULL, MARELON BW-06 SHORT FEMALE
6	1806031	No Image	THRU-HULL, MARELON BW-06 SHORT MALE
7	1753511	No Image	EYE, LIFTING CLEAT 1/2" SS
8	2141058	No Image	ANCHOR SHACKLE, 5/8" 6000LB STD, DEL W/ OPT: 100-70532
9	133371		PLUG, BRASS 1" DRAIN TURN-TITE
10	1806033	No Image	PLUG, MARELON BW-06 DRAIN 1" W/GASKET





Ref	Part	Image	Description
4	590646	No Image	CLIP, POLE STRG BLK - MAST LIGHT
7	2316014	No Image	CLEAT, HDPE BW13SPT-19 50QT COOLER OPT: 100-76016
11	2316060	No Image	RUBRAIL, PREBENT PVC ARCW BW13SPT-19 BOW OPT: 100-09200
14	2316036	No Image	INSERT, PREBENT SS BW13SPT-19 BOW OPT: 100-09200
15	2316059	No Image	RUBRAIL, PLASTIC WHT 35' STD ; DELETE W/OPT: 100-09200
16	2316034	No Image	RUBRAIL, BW13SPT-19 RUBRAIL PLAT FLEX 35' STD ; DELETE W/OPT: 100-09200
18	2316009	No Image	BASE, SS BWSPT-19 NAV LIGHT
19	1947662	No Image	RAIL, SIDE BW150SS-09 STB AFT
21	1814519	No Image	COVER, POLY STY 7.5" POUR HOLE WHLR WHT
22	1943410	No Image	RAIL, SIDE BW130SS-09 PRT
23	2316561	No Image	LIGHT, NAV COMBO LED SS
28	2345233	No Image	TANK, FUEL 6.5GAL PLAS W/GAUGE EPA COMP ASSY STD & OPT: 100-70005 DELETE W/OPT: 020-70405
30	291658	No Image	CLEAT, 8" 4-BOLT SS
32	1943409	No Image	RAIL, SIDE BW130SS-09 STB FWD
36	2062871		FITTING, FUEL QD PTBL TANK 3 CONN STD & OPT: 100-70005 ; DELETE W/OPT: 020-70405
37	871004	No Image	UPH PARTS, BUCKLE 1" SIDE RELEASE M/F BLK STD & OPT: 100-70005 ; DELETE W/OPT: 020-70405
38	1030105	No Image	WEBBING, BW-97 STRAP NYLON 1" STD & OPT: 100-70005 ; DELETE W/OPT: 020-70405
39	1804035	No Image	CABLE, CNTRL MERC GEN II PREMIUM 9' STD & OPT: 100-70005 ; DELETE W/OPT: 020-70405
40	677625	No Image	STEERING, CABLE NFB W/ENDS 11'
43	836007	No Image	BRACKET, ALUM 1.5"X 1.5"X 3" 3/16"HOLES