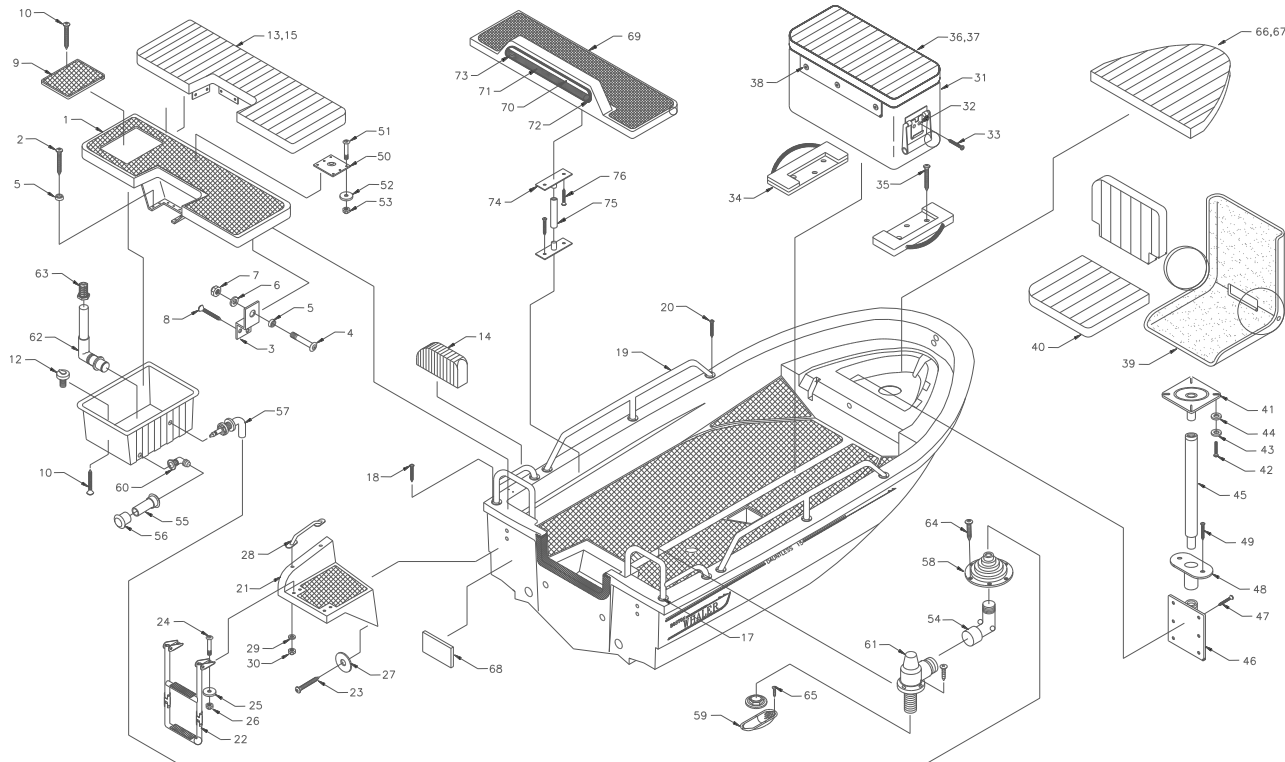


15' DAUNTLESS OPTIONS

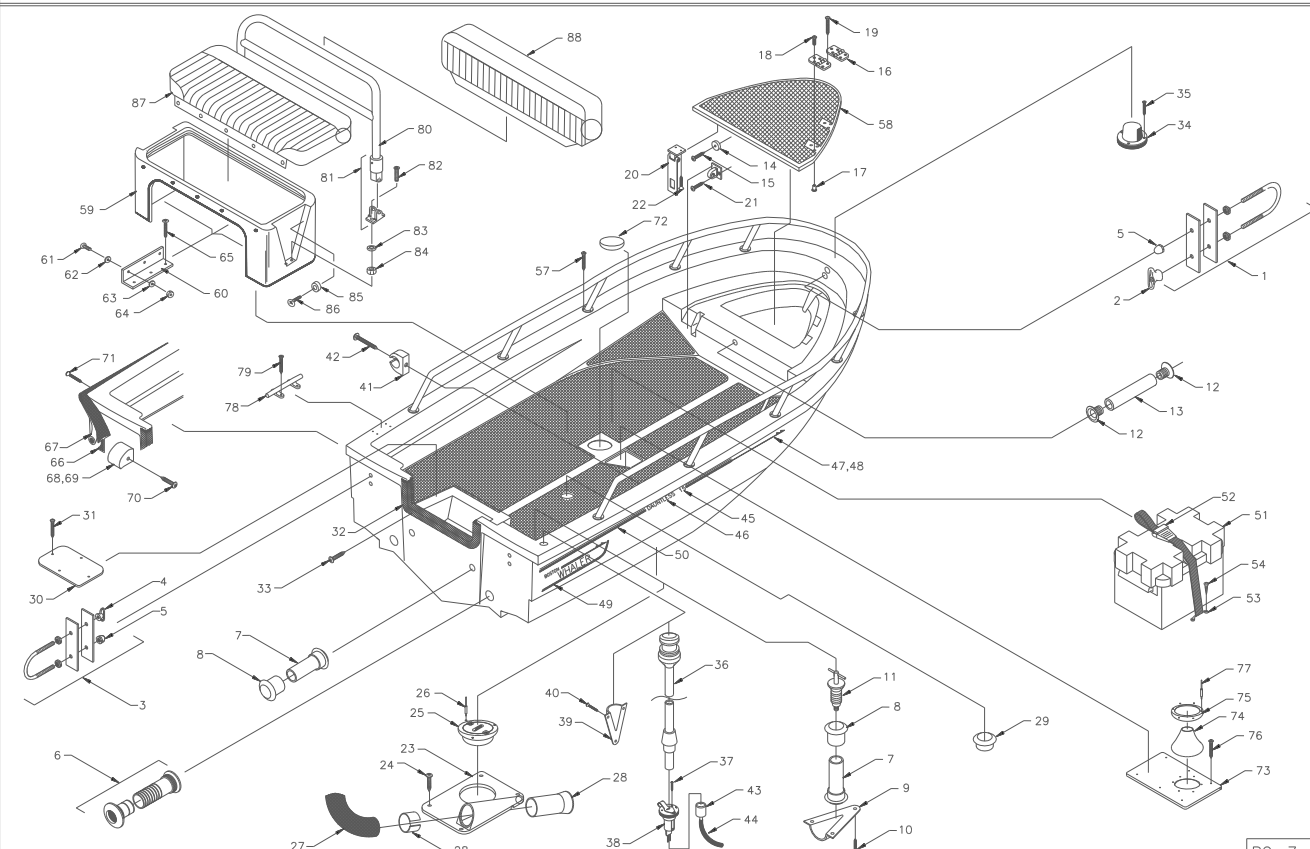


15' DAUNTLESS OPTIONS

Det	P/N	Qty	Descr.
1	1061738	1	STERN DECK FBRGLS
2	1008515	7	SCR, TAP#10A X 1.5" POH
3	1030543	4	BRKT, CNSL SIDE
4	1010446	4	SCR, MACH#10-24 X 1" POH
5	0896258	11	WASHER, FINISH#10
6	0152918	4	WASHER, FLAT#10
7	1007772	4	NUT, HEX NYLON LOCK#10-24
8	1008739	8	SCR, TAP#10A X 1" PTH
9	1068667	1	HATCH, ACCESS 15" X 11"
10	1008762	19	SCR, TAP#10A X 3/4" PTH
11	1038884	1	BIN, PLAS DROP-IN 13" X 23" X12"
12	0996009	1	PLUG, BRASS 3/4" DRN CAM
13	1006709	1	CUSH, STERDECK WHT/GRY
14	1006717	2	CUSH, STERDECK RAIL WHT/GRY
15	1026053	16	SNAP STUD, N/P BRASS
16	1012632	1	RAIL, GRAB STERDECK PORT
17	1012640	1	RAIL, GRAB STERDECK STBD
18	1010610	18	SCR, TAP#10A X 1.5" PPH
19	1012533	2	RAIL, SIDE
20	1010610	20	SCR, TAP#10A X 1.5" PPH
21	1033190	1	FBRGLS PART, SWIM PLATFORM
22	1027143	1	LADDER, FOLDING 2 STEPS
23	1010909	6	SCR, TAP#14A X 1.5" PTH
24	0151720	4	SCR, MACH#14-20 X 3/4" PPH
25	0189365	4	WASHER, FENDER 1/4" X 1.25"
26	1009786	4	NUT, LOCK#1/4-20
27	0189365	6	WASHER, FENDER 1/4" X 1.25"
28	1008960	1	RAIL, GRAB 11" X 1" W/STUD 5/16-18
29	1008903	2	WASHER, FLAT#5/16 X 3/4"
30	1007814	2	NUT, HEX NYLON LOCK#5/16-18
31	1016419	1	COOLER, 54QT WHI
32	1043181	2	HOOK, PLAS COOLER 1/8" X 1.25"
33	1008739	4	SCR, TAP#10A X 1" PTH
34	1073246	2	CLEAT, COOLER PORT SEAFM
35	1010248	6	SCR, TAP#10A X 1.5" PPH
36	1006725	1	CUSH, COOLER 54QT WHT/GRY
37	1024777	1	CUSH, COOLER 54QT WHT/GRY
38	1203786	6	SNAP, STUD#8 X 3/8"
39	1038876	1	SEAT, FISHING WHI
40	1006875	1	CUSH, FISHING SEAT WHT/GRY
41	1043553	1	BRKT, MNT FISHING SEAT
42	1008598	4	SCR, MACH#1/4-20 X 1.5" PPH
43	0152926	4	WASHER, FLAT#1/4"
44	1008929	4	WASHER, STAR#1/4"
45	1043546	1	PEDESTAL, FISHING SEAT
46	1043538	1	BRACE, FISHING SEAT
47	1008362	6	SCR, TAP#14A X 1.5" PTH
48	1043272	1	FLANGE, ROD 1.5"
49	1010578	2	SCR, TAP#8A X 1/2" POH
50	1047851	1	BASE, FISH PED
51	0151639	6	SCR, MACH#1/4-20 X 1.5" POH
52	0189365	6	WASHER, FENDER 1/4" X 1.25"
53	1007764	6	NUT, HEX NYLON LOCK#1/4-20
54	0995571	1	ELB, MAR 3/4"PTX3/4" BARB 90DEG
55	1042084	1	THRU-HULL, PV PRESS-FIT
56	1042068	1	NUT, PVC RETAINING THRU-HULL
57	0858944	1	PUMP, SPRAY HD FOR LWELL AERAT
58	0580720	1	GROMMET, O/B HARNLESS 3" BLK
59	0995589	1	STRAINER, MARELON 3/4" SCRNI
60	1043371	1	THRU-HULL, PLAS 1 3/8" TUBE 90DEG
61	1031335	1	PUMP, L'WELL AERAT OUTLET
62	1043231	1	DRAIN, ATANDPIPE 7/8" X 7"
63	1043348	1	DRAIN, SCREEN 7/8" X 2"
64	1010925	6	SCR, TAP#8A X 5/8" PTH
65	1008390	4	SCR, TAP#8A X 1/2" PTH

Det	P/N	Qty	Descr.
66	1006741	1	CUSH, BOW WHT/GRY
67	0203786	2	SNAP STUD, #8 X 3/8"
68	1016948	1	LABEL, WARN SWIM PLTFM 2" X 3"
69	1061696	1	SEAT, BENCH, HELM FBRGLASS
70	1038330	1	COVER, HOPE LINER, STRG, VERT.
71	1038298	1	COVER, HOPE LINER, STRG, HORIZ
72	1041540	6.7'	TRIM EDGE, VINYL, 1x5/32" BLK
73	1041953	1	DRAIN, 1" IMPACT W/O BARB, BLK
74	1008978	2	SUPPORT, BASE RAIL
75	0877738	1	TUBE, ALUM, 7/8"ODx.058
76	1010552	4	SCR, TAPPING, #10x3/4" POH
OPTIONS NOT SHOWN			
	1003409		CANVAS, CVR REV SEAT GRY
	1003375		CANVAS, M/C GRY
	1003383		CANVAS, M/C W/RAIL/AFT GRY
	1003334		CANVAS, BIM TOP W/BOOT RED
	1003359		CANVAS, BIM TOP W/BOOT GRN
	1003367		CANVAS, CNSL CVR GRY
	1003391		CANVAS, CNSL CVR W/W/S GRY
	1003417		CANVAS, CNSL CVR W/TILT GRY
	1003468		COV, CONS, TILT STRG W/W/S
	1006733		CUSH, HELM BNCH WHT/GRY
ACCESSORY ORDER KITS			
85	500-05039		REVRISBLE PILOT SEAT
86	500-05040		SWIM PLATFORM
87	500-05038		STERDECK ASSEMBLY
88	500-05003		RUB-RAIL KIT

15' DAUNTLESS HULL ASSEMBLY

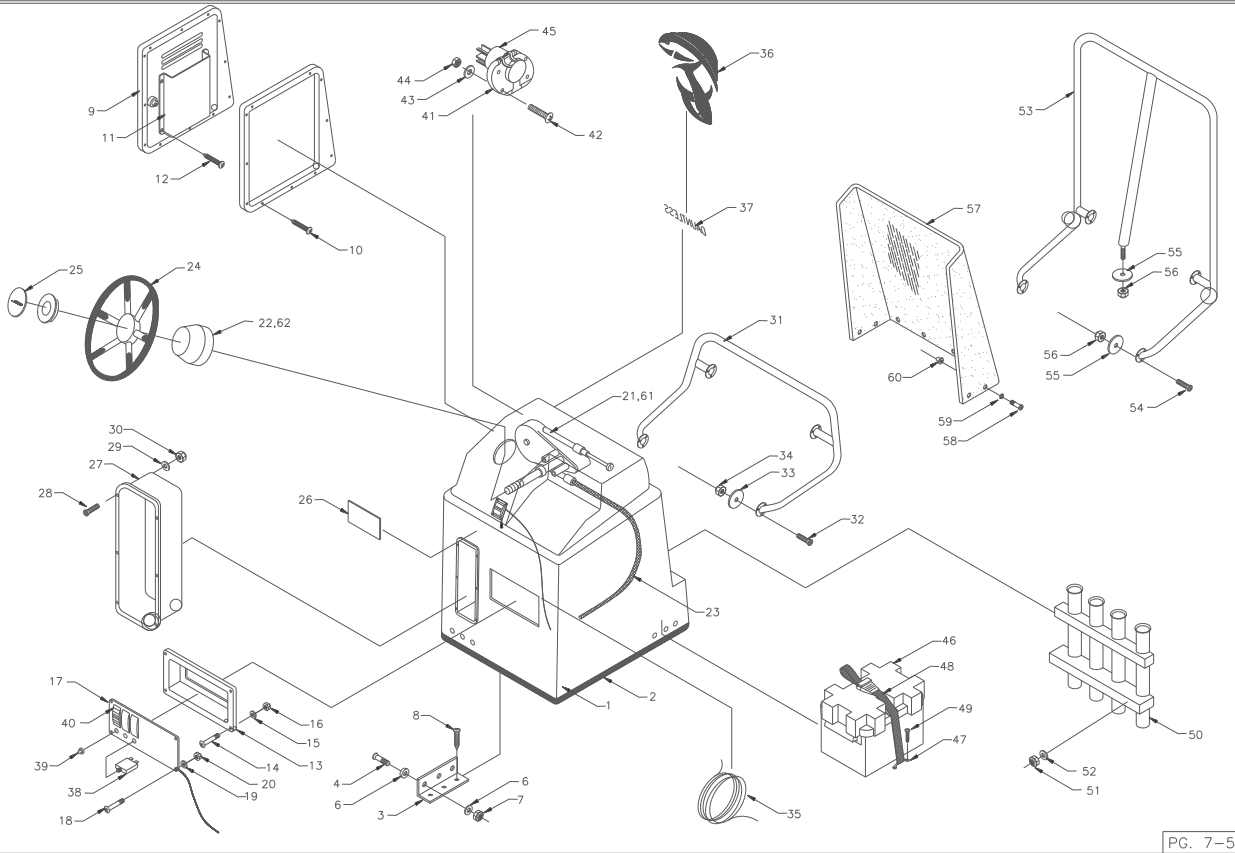


15' DAUNTLESS HULL ASSY.

Det	P/N	Qty	Descr.	Det	P/N	Qty	Descr.
1	0995506	1	EYE, BOW 1/2" X 8"	56	1011907	1	RAIL, BOW
2	1033091	1	EYE, LIFTING 1/2" CHR	57	1010610	30	SCR, TAP#10A X 1.5" PPH
3	0995464	1	EYE, STERN 1/2" X 3"	58	1061308	1	CVR, ANCH LCKR FBRGLS
4	1033091	2	EYE, LIFTING 1/2" CHR	59	22H06400	1	SEAT BOX, WHITE
5	1007756	3	NUT, ACOR#1/2-13	60	1030428	3	BRACKET, 2x2x12", ALUM
6	0996538	2	THRU-HULL, PLAS 1 1/32" ADJ SCUP	61	0151639	9	SCR, MACH, 1/4-20x1.5"
7	1042084	3	THRU-HULL, PVC PRESS-FIT	62	0112086	9	WASHER, FLANGE, #14 SS
8	1042068	3	NUT, PVC RETAINING THRU-HULL	63	0152926	9	WASHER, FLAT, 1/4" SS
9	0533430	1	VENT, CLAM ROPE LCKR 2" X 2"	64	1009786	9	NUT, LOCK, 1/4-20 SS
10	0150714	3	SCR, TAP#6A X 1/2" POH	65	1008697	9	SCR, TAPPING, #14x1.5" PPH
11	0133371	1	PLUG, BR5 1" DRN TURN-TITE	66	1020866	1	RUBRAIL, PLAS CHAR 36"
12	0518878	2	DRN SLEEVE, FLUSH IMPACT 5/8"	67	1020809	1	INSERT, RUBRAIL CHAR FLEX 36"
13	0898605	50'	TUBING, WATER 3/8"ID X 1/2" OD	68	1037639	1	CAP, RUBRAIL END PORT
14	1039247	1	BUMPER, BLK 3/4" DIA X 1/4" THK	69	1037647	1	CAP, RUBRAIL END STBD
15	1010925	1	SCR, TAP#6A X 5/8" PTH	70	1008531	2	SCR, TAP#10A X 2.5" POH
16	0995159	2	HINGE, DOOR 1.5" X 3"	71	1009943	100	SCR, TAP#10A X 1.5" PPH
17	1040203	6	NUT, BBL#10-24 X 1/2"	72	1001163	1	CVR, ABS 6.5" POUR HOLE WHT
18	1008432	6	SCR, MACH#10-24 X 1/2" POH	73	1001080	1	CVR, ABS CNSL SUMP BLK
19	1008507	4	SCR, TAP#10A X 1" POH	74	1043223	1	BOOT, CABLE 3" BLK
20	0995134	1	HASP, SWIVEL FLUSH MNT	75	1043330	1	BOOT, CABLE RING 3" BLK
21	1008556	2	SCR, TAP#6A X 1.25" POH	76	10109025	6	SCR, TAP#6A X 5/8" PTH
22	1008812	2	SCR, TAP#6A X 1/2" PTH	77	1007855	6	RVT, POP/BLND #1/8 X 1/4" ALUM
23	1043637	1	CVR, PLAS RIGGING TUNL AFT	78	1027002	4	CLEAT, 6" HOLLOW BASE
24	1008739	4	SCR, TAP#10A X 1" PTH	79	1010297	16	SCR, TAP#14A X 2" PPH
25	1016146	1	ACCESS PLT, SCREW-OUT 4" ALUM	80	1012699	1	SUPPORT, REV. SEAT BACK
26	0189415	3	RVT, POP/BLN #3/16" X 5/8" ALUM	81	0995092	2	HINGE, DECK W/ TOP CAP, 1"
27	1040823	3.8'	HOSE, 2.5"ID RIGGING BLK	82	1009950	4	SCR, MACH, 1/4-20x1" PPH
28	1038777	1	INSERT, HDPE TUBE RIGGING CVR	83	0152926	4	WASHER, FLAT, 1/4" SS
29	1041953	1	DRN, 1" IMPACT W/O BARB BLK	84	1009786	4	NUT, LOCK, 1/4-20 SS
30	1068212	1	CVR, ABS MOTORWELL BOLT WHT	85	1039239	8	BUMPER, BLACK
31	1010925	6	SCR, TAP#6A X 5/8" PTH	86	1010925	4	SCR, TAPPING, #8x5/8" PTH
32	1040948	3.2	TRM, VINYL RIGID 1" X 1.5" BLK	87	1006683	1	CUSH., REV. SEAT, WHT/GRAY
33	1010925	6	SCR, TAP#6A X 5/8" PTH	88	1006691	1	CUSH., REV. SEAT 6/R, WHT/GRAY
34	0860734	1	LHT,NAV COMBO BOW 2 3/8" X 7/8"				
35	1010321	3	SCR, TAP#4A X 1" PPH				
36	0222125	1	LHT, NAV STERN 42" N/BEND				
37	0150805	3	SCR, TAP#6A X 1" POH				
38	0331751	1	LHT, NAV STERN BASE RND CHR				
39	0533430	1	VENT, CLAM ROPE LCKR 2" X 2"				
40	0150714	3	SCR, TAP#6A X 1/2" POH				
41	0590646	2	CLIP, BLK STRG POLE				
42	1008739	2	SCR, TAP#10A X 1" PTH				
43	1042761	1	CAP, DRNBOOT STRN LHT MAST BLK				
44	1043017	1	TUBING, VINYL SPEEDO BLK				
45	0997692	2	DECAL, BW 15" FIRE RED HIBOSCAL				
46	0997668	2	DECAL, BW 15" COREBN DK BLUE				
47	0997684	2	DECAL, BW DK GREEN				
48	1030683	2	DECAL, BW DAUNT DK GRY HIBO				
49	0998559	1	DECAL, BW HARPOON PORT FIRE RED				
50	0998450	1	DECAL, BW HARP PORT CORB DK BLUE				
51	0998542	1	DECAL, BW HARPOON PORT DK GRN				
52	0998609	1	DECAL, BW HARP STBD FIRE RED				
53	0998476	1	DECAL, BW HARP STBD CORB DK BLU				
54	0998591	1	DECAL, BW HARP STBD DK GRN				
55	0997999	2	DECAL, BW LOGO 18" FIRE RED				
56	0998047	2	DECAL, BW LOGO CORB DK BLU				
57	0998084	2	DECAL, BW LOGO 18" DK GREEN				
58	1038009	24'	TAPE, SOLID 1" FIRE RED W/STRP				
59	1037985	24'	TAPE, SOLID 1" CORE DK BLU W/STRP				
60	1037933	24'	TAPE, SOLID 1" DK GRN W/STRP				
61	0650598	1	HOLD, BATT GR24 FULLY ENCL				
62	1041128	1	STRAP, 1" X 3' HOLDDOWN BLK				
63	1042837	2	BRKT, BATT HOLDDOWN 1.25" CHR				
64	1008507	4	SCR, TAP#10A X 1" POH				
65	36-H123-02	1	HARNES, BATTERY CABLE				

15' DAUNTLESS CONSOLE

JS  
04/02/98  
File Name: 15CONTCN.dwg  
Production Year: 1998



15' DAUNTLESS CONSOLE

JS  
04/02/98  
File Name: 15CONTCN.dwg  
Production Year: 1998

Det	P/N	Qty	Descr.	Det	P/N	Qty	Descr.
1	1067917	1	FBRGLS PART, CNSL WHT	53	1012087	1	RAIL, GRAB HI-PATT CNSL
2	1041524	10.5	TRIM-SEAL, 1/4" W 7/16"	54	0151746	13	SCR, MACH#1/4-20 X 1.25" PPH
3	1030428	3	BRKT, 2" X 2" X 12"	55	0189365	13	WASHER, FENDER 1/4" X 1.25"
4	0151639	9	SCR, MACH#1/4-20 X 1.5" POH	56	1007764	13	NUT, HEX NYLON LOCK#1/4-20
5	0112086	9	WASHER, FLANGE#1/4"	57	1021070	1	WIND SHIELD
6	0152926	9	WASHER, FLAT#1/4"	58	1010107	8	SCR, MACH# 10-32 X 1.25" PPH
7	1009786	9	NUT, LOCK#1/4-20	59	0896258	8	WASHER, FINISH#10
8	1010909	9	SCR, TAP#1/4 X 1.5" PTH	60	1033422	8	NUT, WELL
9	1068246	1	DOOR, HDPE/ABS CNSL SEAFM	TILT STEERING			
10	1008812	8	SCR, TAP#8A 1/2" PTH	61	0997213	1	STRG, HELM PERFORMANCE TILT
11	1035724	1	CANVAS, STRG CNSL DOOR	62	0662510	1	STRG, PERFORMANCE TILT MECH
12	1008796	6	SCR, TAP#8A X 1/2" PTH				
13	1043306	1	PNL, IGNITION RECESSED WHT				
14	1010222	4	SCR, MACH#6-32 X 5/8" PFH				
15	0153858	4	WASHER, FLAT#6				
16	1009810	4	NUT, LOCK 6-32				
17	1026947	1	PNL, SWITCH				
18	1010222	4	SCR, MACH#6-32 X 5/8" PFH				
19	0153858	4	WASHER, FLAT#6				
20	1009810	4	NUT, LOCK#6-32				
21	0626143	1	STRG, HELM NFB SGL				
22	0626150	1	STRG, BEZEL 90DEG NFB				
23	0997098	1	STRG, CABLE NFB W/ENDS 12'				
24	1020213	1	STRG, WHEEL 15" DIA GRY GRIP				
25	1021054	1	EMBLEM, STRG WHL CAP				
26	1016518	1	LABEL, STRG PULL WARNING				
27	1037555	1	BOX, ABS FIRE EXT SHORT WHT				
28	1010735	6	SCR, MACH#8-32 X 3/4" PTH				
29	0152900	6	WASHER, FLAT#8				
30	1009927	6	NUT, LOCK#8-32				
31	1012095	1	RAIL, GRAB LO-PATT CNSL				
32	0151746	12	SCR, MACH#1/4-20 X 1.25" PPH				
33	0189365	12	WASHER, FENDER 1/4" X 1.25"				
34	1007764	12	NUT, HEX NYLON LOCK#1/4-20				
35	36-H12300	1	HARNES, ELECTRICAL				
36	0998831	1	DECAL, BW TUNA FIRE RED				
	0998815	1	DECAL, BW TUNA CORBIN DK BLU				
	0998823	1	DECAL, BW TUNA DK GRN				
37	1030683	1	DECAL, BW DK GRY HIBOSSCAL				
<b>OPTIONS</b>							
<b>LIVEWELL</b>							
38	1042589	1	BRKR, MANUAL RESET 7A				
39	1042563	1	BOOT, RESET BRKT BLK				
40	1042647	1	SWITCH, ROCK ON/OFF				
<b>TROLLING MOTOR RECEPTACLE</b>							
41	0803155	1	RECEPTACLE, 12 TROLL MOTOR OPT				
42	1010446	4	SCR, MACH#10-24 X 1" POH				
43	0152918	4	WASHER, FLAT#10				
44	1007772	4	NUT, HEX NYLON LOCK#10-24				
45	0803163	1	PLUG, 12V (TROLLING MOTOR)				
46	0995068	1	HOLDER, BATT GR27 PWR GUARD				
47	1042837	2	BRKT, BATT HLDWN 1.25" CHR				
48	1041128	1	STRAP, 1" X 3' HLDWN BLK				
49	1008507	4	SCR, MACH#10A X 1" POH				
<b>CONSOLE ROD HOLDERS</b>							
50	1021914	1	ROD HOLDER, 4-ROD ASSY SEA				
51	1007772	4	NUT, HEX NYLON LOCK#10-24				
52	0152918	4	WASHER, FLAT#10				