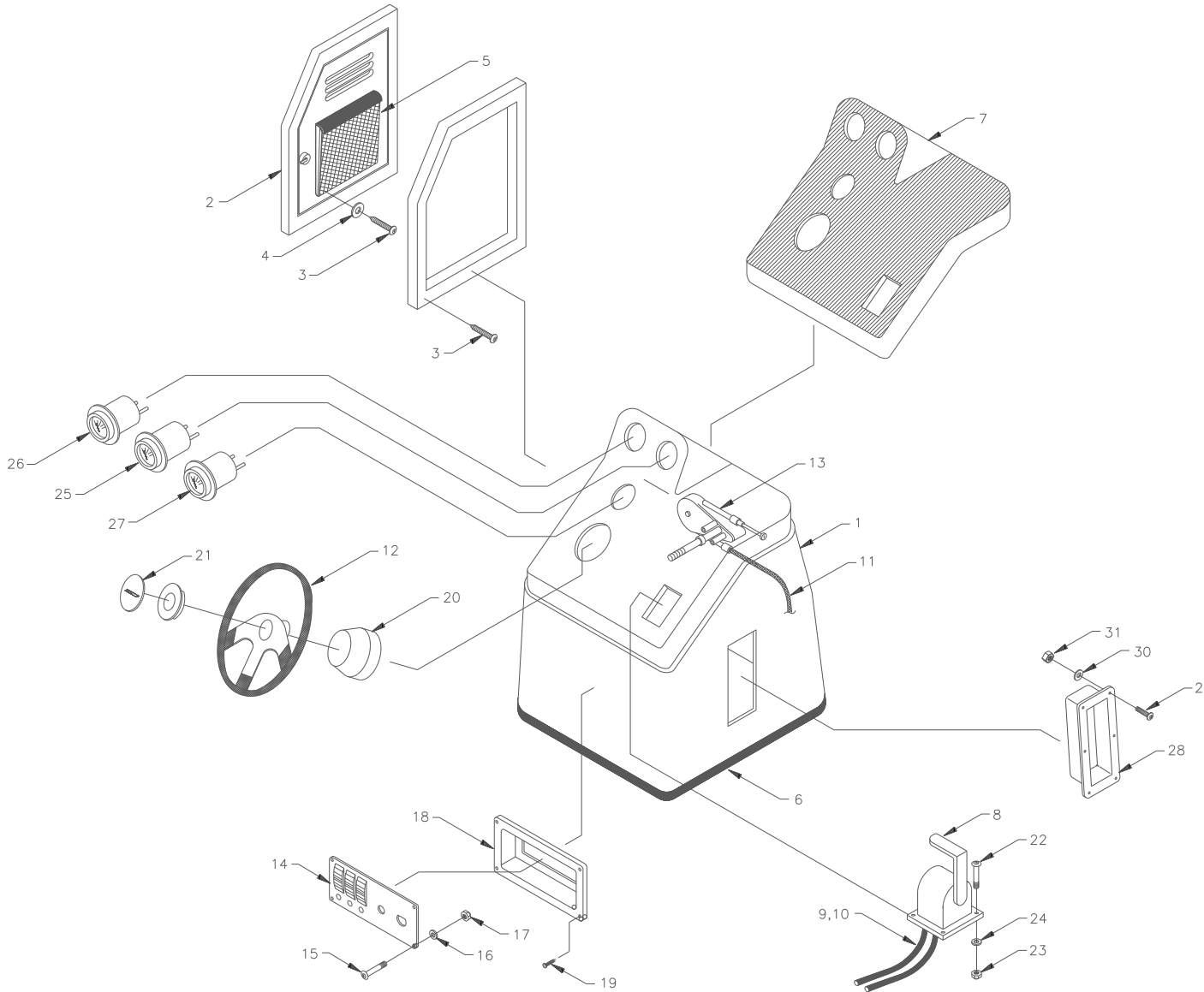


| Det | P/N | Qty | Desc | Det | P/N | Qty | Desc |
|-----|----------|-----|--------------------------------|---------|---------|-------------------------|------------------------------|
| 1 | 1040682 | 1 | BASE, HELM SEAT | 63 | 1038314 | 1 | BULKHEAD, ENGINE, PORT |
| 2 | 1008754 | 8 | SCR,THSMS #10x2" | 64 | 1008747 | 8 | SCR, THSMS #10x1-1/2" |
| 3 | 1008580 | 8 | SCR,PHMS 1/4-20x1"SS/CP | 65 | 1050251 | 1 | INSUL, PORT ENG. BHD |
| 4 | 0189365 | 8 | WSHR,FEND 1/4x1-1/4(316SS) | 66 | 1049352 | 1 | BULKHEAD, ENG, STBD |
| 5 | 1019926 | 2 | HOLDER, DRINK, VERT., FLDG | 67 | 1008747 | 8 | SCR,THSMS #10x1-1/2" |
| 6 | 0153882 | 8 | RIVET,POP 3/16x3/8 GRIP | 68 | 1038322 | 1 | INSUL, STBD, ENG. BHD |
| 7 | 1033554 | 3 | HINGE, 2-1/2x3" SLOT | 69 | 1038306 | 1 | BULKHEAD, ENG, CENTER |
| 8 | 1010586 | 12 | SCR,PHMS 1/4-20x1/2" | 70 | 1008739 | 8 | SCR,THSMS #10x1" |
| 9 | 1008929 | 20 | WSHR, STAR, 1/4" SS | 71 | 1032887 | 1 | BRACKET, FUEL TANK |
| 10 | 1030105 | 1.5 | STRAP, NYLON WEB | 72 | 1010925 | 4 | SCR, THSMS #8x5/8" |
| 11 | 1008747 | 1 | SCR,THSMS #10x1-1/2"SS/CP | 73 | 1039353 | 1 | INSUL, CTR ENG. BHD |
| 12 | 1008846 | 1 | WSHR,FEND 1 3/4x1"SS | 74 | 1041532 | 15' | TRIM SEAL, 1/2" BLACK |
| 13 | 1008655 | 1 | SCR,PHMS 10-24x1/2"SS/CP | 75 | 1049378 | 1 | CLOSE-OUT, AFT ENG. COMPT |
| 14 | 0189365 | 1 | WSHR,FEND 1/4"x1-1/4(316SS) | 76 | 1008747 | 4 | SCR,THSMS #10x1-1/2" |
| 15 | 1008929 | 1 | WASHER, STAR, 1/4" | 77 | 1059153 | 1 | RECESS, MUFFLER |
| 16 | 1009034 | 1 | NUT, BOW, SS | 78 | 1039353 | 1 | INSUL, MUFFLER RECESS |
| 17 | 1008697 | 12 | SCR,PHSMS #14x1-1/2"SS/CP | 79 | 1008812 | 6 | SCR,THSMS #8x1/2" |
| 18 | 1008044 | 2 | BLT, HEX, 5/16-18x1-1/2" | 80 | 1006527 | 1 | CUSHION, HELM SEAT, WHT/RED |
| 19 | 0952002 | 2 | WSHR,FEND 5/16x1-1/2" | 81 | | | |
| 20 | 1041409 | 2 | PLUG, HOLE, 1-1/8", BLK PLS. | 82 | | | |
| 21 | 22H08150 | 1 | PLATFORM, SWIM | 83 | | | |
| 22 | | | | 84 | | | |
| 23 | | | | 85 | | | |
| 24 | 1008697 | 14 | SCR,PHSMS #14x1-1/2"SS/CP | 1006535 | 1 | CUSH, BACKREST, WHT/RED | |
| 25 | 0189365 | 14 | WSHR,FEND 1/4"x1-1/4(316 SS) | 87 | 1008614 | 2 | SCR,PHMS 1/4-20x2"SS/CP |
| 26 | 1027150 | 1 | LADDER SWIM PLATFORM | 88 | 1008580 | 4 | SCR,PHMS 1/4-20x1"SS/CP |
| 27 | 1040146 | 1 | BUCKLE, CENTER RELEASE, 1" | 89 | 1008697 | 2 | SCR,PHSMS #14x1-1/2"SS/CP |
| 28 | 1030105 | .5 | STRAP, NYLON WEB, 1" | 90 | 1008929 | 8 | WSHR,1/4"TEXT LOCK WSHR |
| 29 | 1008713 | 1 | SCR,THMS 8-32x1"SS/CP | 91 | 0189365 | 8 | WSHR,FEND 1/4x1-1/4" |
| 30 | 1008846 | 1 | WSHR,FEND #10 (316 SS) | 92 | 1067933 | 1 | CVR, FLOOR, WHITE |
| 31 | 0152900 | 1 | WSHR,FL #8 (316 SS) | 93 | 1010909 | 9 | SCR,THSMS #14x1-1/2" |
| 32 | 1009927 | 1 | NUT, LOCK, #8-32 | 94 | 1027002 | 4 | CLEAT, 6" HOLLOW BASE |
| 33 | 1010453 | 8 | BOLT, SIDEWALK, 1/4-20x1" | 95 | 1010297 | 16 | SCR,PHSMS #14x2" |
| 34 | 0152926 | 8 | WASHER, FLAT, 1/4" | 96 | 0962993 | 1 | FTG, WTR INLET, CP/BRZ |
| 35 | 1009786 | 8 | NUT, LOCK, 1/4-20 | 97 | 1010446 | 3 | SCR,PHMS 10-24x1" |
| 36 | 2259700 | 2 | FOOTREST | 98 | 1052918 | 3 | WSHR,FL #10 |
| 37 | 1041938 | 2 | FOOTREST, TREAD | 99 | 1007772 | 3 | NUT, LOCK, #10-24 |
| 38 | 1008770 | 8 | SCR, TAPPING, #14x2" PTH | 100 | 0995530 | 1 | ADPT,1/2"MPtX5/8"BARB, PLAS. |
| 39 | 0140418 | 2 | ELBOW, STREET, 1/4NPTx3/8" FPT | 101 | 1060797 | 1 | CONNECTOR, T-TUBING |
| 40 | 1043389 | 3 | FTG, BHD, BRASS | | | | |
| 41 | 1043116 | 8 | VALVE, BRZ, 2-WAY, FUEL | | | | |
| 42 | | | | | | | |
| 43 | 1016393 | 1 | COOLER, 40QT, IGLOO, WHT | | | | |
| 44 | 1043181 | 2 | HOOK, COOLER, 1/8" WHT | | | | |
| 45 | 1008762 | 4 | SCR,THSMS #10x3/4" | | | | |
| 46 | 1068162 | 2 | CLEAT, 40QT, COOLER | | | | |
| 47 | 1008515 | 6 | SCR,PHSMS #10x1-1/2" | | | | |
| 48 | 1006477 | 1 | CUSH, 40QT, COOLER, WHT/RED | | | | |
| 49 | 0203786 | 6 | STUD SCR, 3/8" LONG | | | | |
| 50 | 1068428 | 2 | SKI-RACK | | | | |
| 51 | 1007889 | 4 | SCR,PHMS 1/4-20x1-3/4" | | | | |
| 52 | 0189365 | 4 | WSHR,FEND 1/4"x1-1/4 | | | | |
| 53 | 1009786 | 4 | NUT, LOCK, 1/4-20, SS | | | | |
| 54 | 1053701 | 1 | STRAINER, RAW WATER | | | | |
| 55 | 1054329 | 1 | ELB,ST,3/4"MPtX3/4"TPt,PVC | | | | |
| 56 | 1008580 | 3 | SCR,PHMS 1/4-20x1" | | | | |
| 57 | 0152926 | 3 | WASHER, FL 1/4" | | | | |
| 58 | 1009786 | 3 | NUT, LOCK, 1/4-20 | | | | |
| 59 | 0745773 | 1 | BLOWER, 3", ATTWOOD | | | | |
| 60 | 0124008 | 2' | HOSE, BLOWER, 3"ID, BLK | | | | |
| 61 | 1010925 | 3 | SCR,THSMS #8x5/8" | | | | |
| 62 | 1041573 | 1' | TRIM, RUBBER-LOK, BLACK | | | | |

15' MERCURY JET, CONSOLE ASSEMBLY



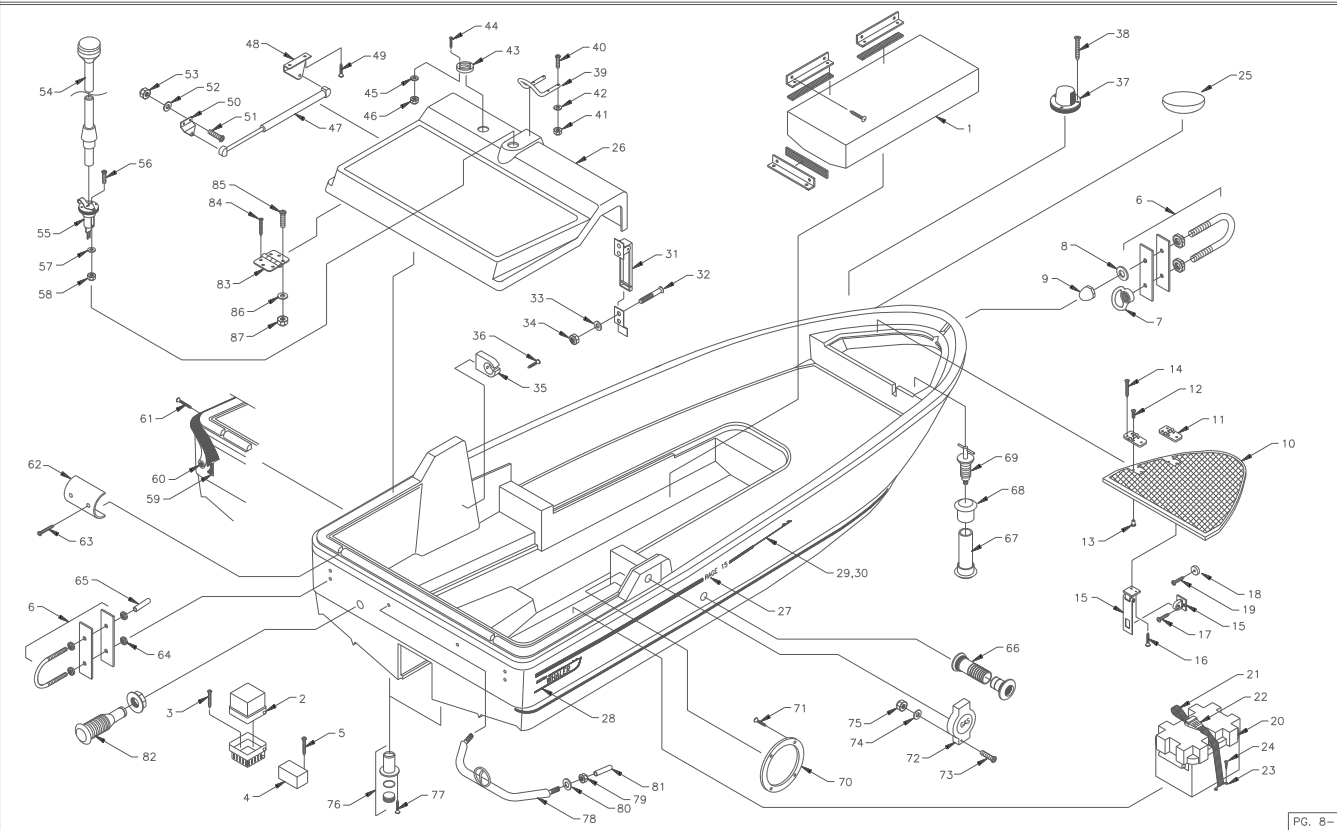
| Det | P/N | Qty | Descr. |
|-----|-----------|-----|------------------------------|
| 1 | 22J478550 | 1 | CONSOLE, FIBERGLASS |
| 2 | 1038447 | 1 | DOOR, CONSOLE, GRAY |
| 3 | 1008812 | 14 | SCR, TAPPING, #8x1/2" PTH |
| 4 | 0152900 | 4 | FLATWASHER, #8 |
| 5 | 1025162 | 1 | CANVAS STORAGE POCKET |
| 6 | 1020965 | 8' | TRIM, FLEX, U-TRIM, WHT. |
| 7 | 1038710 | 1 | CONSOLE PAD, GRAY |
| 8 | 1039395 | 1 | CONTROL, ENGINE |
| 9 | 1039387 | 1 | CONTROL CABLE, 10' |
| 10 | 1028893 | 1 | THROTTLE CABLE, 10', MERC |
| 11 | 0997064 | 1 | STEERING CABLE, 10' |
| 12 | 0892497 | 1 | STEERING WHEEL, MDL 23, GRAY |
| 13 | 0931683 | 1 | HELM UNIT |
| 14 | 1026954 | 1 | PANEL, SWITCH |
| 15 | 1010222 | 4 | SCR, MACH, #6-32x5/8" PFH |
| 16 | 0153818 | 4 | WASHER, FLAT, #6 |
| 17 | 1009810 | 4 | NUT, LOCK, #6-32 |
| 18 | 1043306 | 1 | PANEL, IGN, RECESSED |
| 19 | 1008796 | 4 | SCR, TAPPING, #6x1/2" PTH |
| 20 | 1039361 | 1 | STEERING MOUNT, BEZEL, 10DEC |
| 21 | 1021062 | 1 | EMBLEM, RAGE STRG WHL CAP |
| 22 | 1008630 | 4 | SCR, MACH, #10-24x1.25" PPH |
| 23 | 1007772 | 4 | NUT, LOCK, #10-24 |
| 24 | 0152918 | 4 | FLATWASHER, #10 |
| 25 | 1020346 | 1 | GAUGE, SPEEDOMETER |
| 26 | 1020353 | 1 | GAUGE, TACHOMETER |
| 27 | 1020361 | 1 | GAUGE PACKAGE, 3-IN-1 |
| 28 | 1037555 | 1 | BOX, ABS, FIRE EXT., SHORT |
| 29 | 1010735 | 6 | SCR, MACH, #8-32x3/4" PTH |
| 30 | 0152900 | 6 | FLATWASHER, #8 |
| 31 | 1009927 | 6 | NUT, LOCK, #8-32 |

NOT SHOWN

| | | |
|---------|---|---------------------------------|
| 0944413 | 1 | CABLE, BELLOWS, STEER EXT. |
| 0944439 | 1 | CABLE, BELLOWS, SHIFT EXT. |
| 0957373 | 1 | CONNECT, 40 SER, MORSE TO MERC. |
| 1042746 | 1 | STEERING ROD END |
| 0896662 | 1 | ACC PART, MERC SWITCH, IGN. |
| 0608281 | 1 | HARNES, TACH, 5 PIN |

15' MERC. JET, HULL ASSEMBLY

R/D 7/20/97
File Name: 150M01.dwg
Production Year: 1998



15' MERC. JET, HULL ASSY.

R/D 07/20/97
File Name: 150M01.dwg
Production Year: 1998

| Det | P/N | Qty | Descr. | Det | P/N | Qty | Descr. |
|-----|----------|-----|------------------------------|-----|---------|-----|----------------------------|
| 1 | 1021492 | 1 | TANK, FUEL, 33 GAL. | 62 | 1034925 | 2 | CAP, RUBRAIL |
| 2 | 0698290 | 1 | BILGE PUMP | 63 | 1008515 | 4 | SCR, TAPPING, #10x1.5" POH |
| 3 | 1010925 | 2 | SCR, TAPPING, #8x5/8" PTH | 64 | 0152785 | 4 | NUT, LOCK, 1/2-13 |
| 4 | 0989335 | 1 | SWITCH, FLOAT | 65 | 1050145 | 4 | CAP, PLASTIC, BLACK |
| 5 | 1010644 | 2 | SCR, TAPPING, #8x1-1/4" PPH | 66 | 0996538 | 2 | THRU-HULL, ADJUST, SCUPPER |
| 6 | 0995498 | 1 | EYE, BOW, 1/2x7-1/8" | 67 | 1042084 | 1 | THRU-HULL, PVC PRESS FIT |
| 7 | 1033091 | 1 | EYE, LIFTING, 1/2" CHR | 68 | 1042068 | 1 | NUT, PVC RETAIN, THRU-HULL |
| 8 | 0153684 | 1 | WASHER, LOCK, SPLIT, 1/2" | 69 | 0133371 | 1 | PLUG, 1" DRAIN, TURN-TITE |
| 9 | 1007756 | 1 | NUT, ACORN, 1/2-13, SS | 70 | 1035732 | 1 | TRIM RING, SOLAR VENT |
| 10 | 22H03700 | 1 | COVER, ANCHOR LOCKER | 71 | 1010925 | 4 | SCR, TAPPING, #8x5/8" PTH |
| 11 | 0995159 | 2 | HINGE, DOOR, 1-1/2" x 3" | 72 | 0994467 | 1 | DECK FILL, W/VENT, BLACK |
| 12 | 1008432 | 6 | SCR, MACH, #10-24x1/2" | 73 | 1010446 | 4 | SCR, MACH, #10-24x1" POH |
| 13 | 1040187 | 6 | NUT, BBL, #10-24x3/8" | 74 | 0152918 | 4 | FLATWASHER, #10 |
| 14 | 1008507 | 4 | SCR, TAPPING, #10x1" POH | 75 | 1007772 | 4 | LOCKNUT, #10-24 |
| 15 | 0995134 | 1 | HASP, SWIVEL MT., FLUSH | 76 | 0996017 | 2 | DRAIN TUBE W/PLUG, O-RING |
| 16 | 1008812 | 2 | SCR, TAPPING, #8x1/2" PTH | 77 | 1010370 | 6 | SCR, TAPPING, #6x3/4" PPH |
| 17 | 1008408 | 2 | SCR, TAPPING, #8x3/4" PPH | 78 | 1035088 | 1 | RAIL, GRAB, SKI-EYE/HAND |
| 18 | 1039239 | 1 | BUMPER, BLACK | 79 | 1007798 | 2 | NUT, LOCK, 3/8-16UNC |
| 19 | 1010925 | 1 | SCR, TAPPING, #8x5/8" PTH | 80 | 1008887 | 2 | FLATWASHER, SAE, 3/8" |
| 20 | 0650598 | 1 | HOLDER, BATTERY, GR24 | 81 | 1050145 | 2 | CAP, PLASTIC, 3/8" |
| 21 | 1041128 | 1 | STRAP, HOLDDOWN | 82 | 0182964 | 1 | THRU-HULL, PLAS, 3/4" WHT |
| 22 | 0871004 | 1 | BUCKLE, SIDE RELEASE | 83 | 1034982 | 2 | HINGE, AFT DECK |
| 23 | 1042837 | 2 | BRKT, BTRY HOLDDOWN, 1.25" | 84 | 1008382 | 8 | SCR, TAPPING, #14x1.5" PPH |
| 24 | 1008507 | 4 | SCR, TAPPING, #10x1" POH | 85 | 1009950 | 8 | SCR, MACH, 1/4-20x1" PPH |
| 25 | 1001163 | 1 | COVER, POUR HOLE, 6-3/8" | 86 | 0152926 | 8 | FLATWASHER, 1/4" |
| 26 | 1076025 | 1 | ENGINE COVER, FIBERGLASS | 87 | 1009786 | 8 | HEX NUT, LOCK, 1/4-20 |
| 27 | 0998757 | 2 | DECAL, RAGE 15", HIBOSSCAL | | | | |
| 28 | 0979999 | PR | DECAL, BW LOGO, 18" FIRE RED | | | | |
| 29 | 0998559 | 1 | DECAL, BW HARPOON, PORT, RED | | | | |
| 30 | 0998609 | 1 | DECAL, BW HARPOON, STBD, RED | | | | |
| 31 | 0633891 | 2 | DRAW SOFT LATCH, CONCEALED | | | | |
| 32 | 1010735 | 8 | SCR, MACH, #8-32x3/4" PTH | | | | |
| 33 | 0152900 | 8 | FLATWASHER, #8 | | | | |
| 34 | 1009927 | 8 | NUT, LOCK, #8-32 | | | | |
| 35 | 0590646 | PR | CLIP, POLE, BLACK | | | | |
| 36 | 1008739 | 2 | SCR, TAPPING, #10x1" PTH | | | | |
| 37 | 0996496 | 1 | LIGHT, NAV, SURF MT, HORIZ | | | | |
| 38 | 1010321 | 6 | SCR, TAPPING, #4x1" POH | | | | |
| 39 | 1009026 | 1 | GRABRAIL | | | | |
| 40 | 0151639 | 4 | SCR, MACH, 1/4-20x1.5" PPH | | | | |
| 41 | 1009786 | 4 | NUT, LOCK, 1/4-20 | | | | |
| 42 | 0152926 | 4 | FLATWASHER, 1/4" | | | | |
| 43 | 1110816 | 1 | FIRE EXTINGUISHER PORT | | | | |
| 44 | 1010230 | 4 | SCR, MACH, #8-32x1" PPH | | | | |
| 45 | 0152900 | 4 | FLATWASHER, #8 | | | | |
| 46 | 1009927 | 4 | NUT, LOCK, #8-32 | | | | |
| 47 | 0638106 | 2 | CYLINDER, GAS, 20" EXT. | | | | |
| 48 | 0817676 | 2 | BRKT, LIFT CYL., W/STUD | | | | |
| 49 | 1010925 | 4 | SCR, TAPPING, #8x5/8" PTH | | | | |
| 50 | 0995084 | 2 | BRKT, OFFSET, W/STUD | | | | |
| 51 | 1008713 | 4 | SCR, MACH, #8-32x1" PTH | | | | |
| 52 | 0152900 | 4 | FLATWASHER, #8 | | | | |
| 53 | 1009927 | 4 | NUT, LOCK, #8-32 | | | | |
| 54 | 0221125 | 1 | NAVLIGHT, STERN, 42" | | | | |
| 55 | 0331751 | 1 | BASE, NAVLIGHT, STERN | | | | |
| 56 | 1010206 | 3 | SCR, MACH, #6-32x2" PPH | | | | |
| 57 | 0153858 | 3 | FLATWASHER, #6 | | | | |
| 58 | 1009810 | 3 | NUT, LOCK, #6-32 | | | | |
| 59 | 1020866 | 1 | RUBRAIL, PLAS, CHAR, 36" | | | | |
| 60 | 1020809 | 1 | INSERT, RUBRAIL, CHAR, 36" | | | | |
| 61 | 1009943 | 90 | SCR, TAPPING, #10x1.5" PPH | | | | |

NOT SHOWN
0997650 1 DECAL, BW 15 RAGE RED, LG VINYL