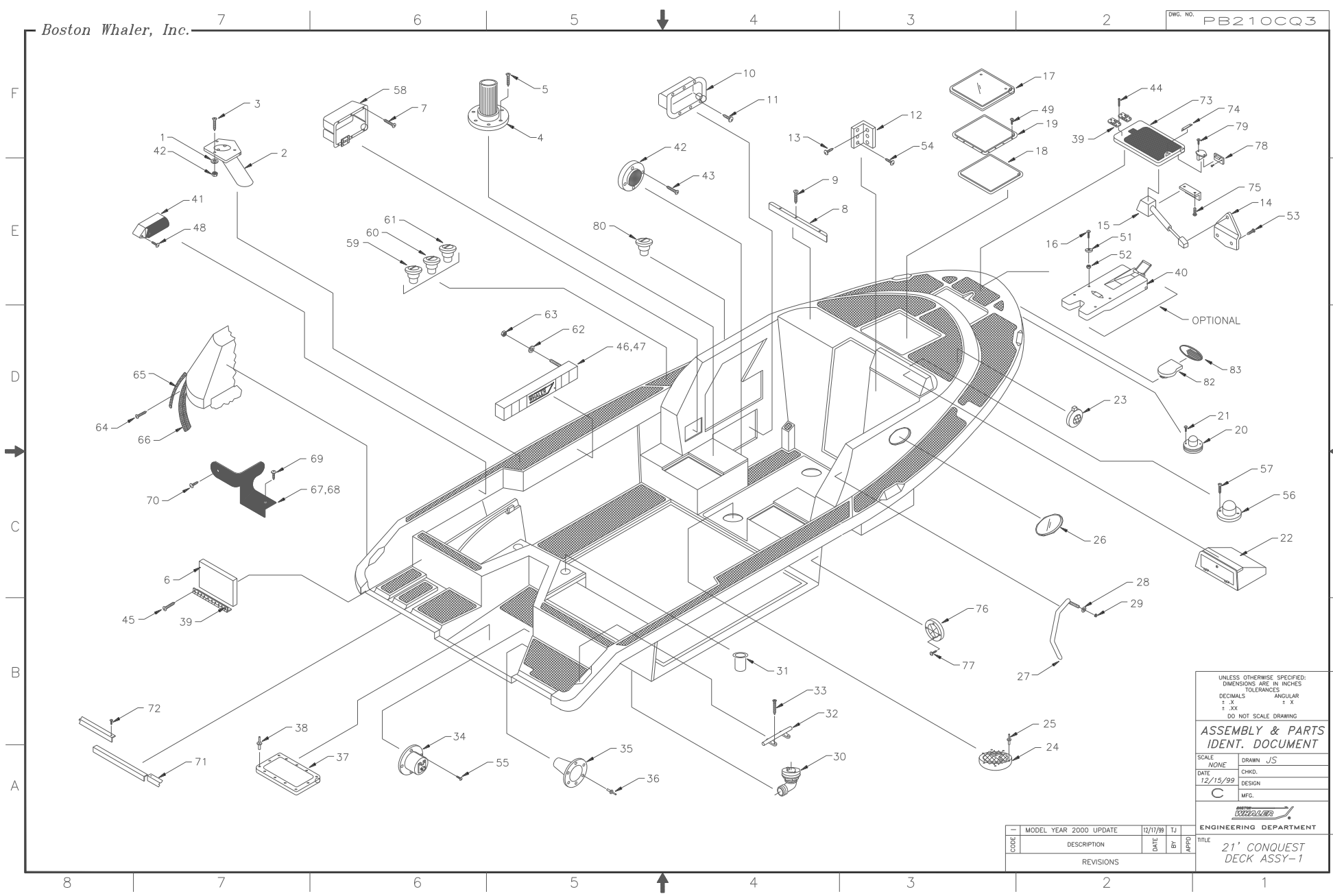


Boston Whaler, Inc.

DWG. NO. PB210CQ3



UNLESS OTHERWISE SPECIFIED:
 DIMENSIONS ARE IN INCHES
 TOLERANCES
 DECIMALS ± .005 ANGULAR ± .5°
 DO NOT SCALE DRAWING

ASSEMBLY & PARTS IDENT. DOCUMENT

SCALE: NONE DRAWN: JS
 DATE: 12/15/99 CHKD.:
 DESIGN:
 MFG.:

EXPRESS
 ENGINEERING DEPARTMENT

CODE	DESCRIPTION	DATE	BY	APPD
REVISIONS				

TITLE: 21' CONQUEST DECK ASSY-1

DWG. NO. PB210CQ3

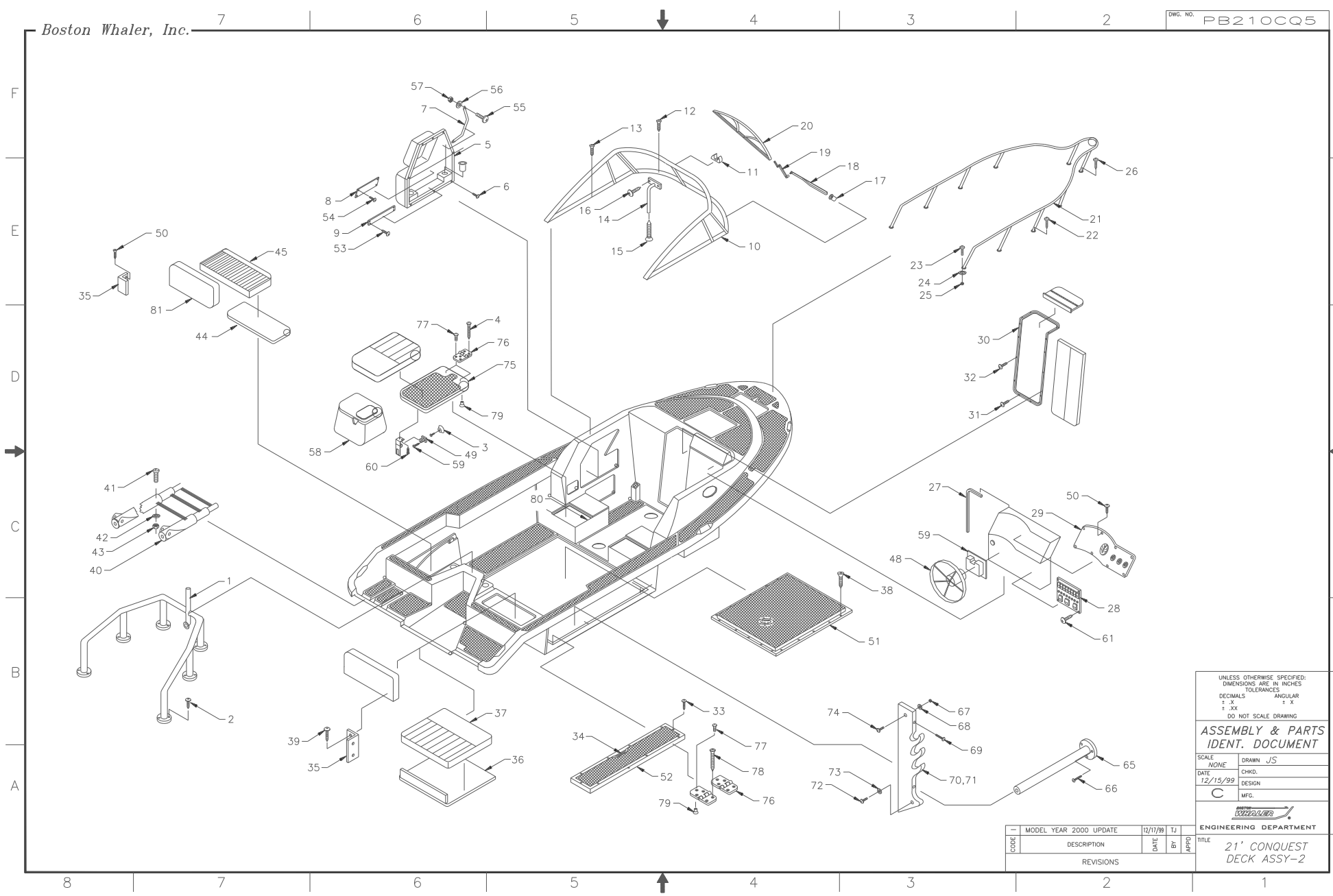
MODEL YEAR 2000 PARTS LIST

BOAT MODEL: 21' CONQUEST, DECK ASSY-1
DOCUMENT CONTROL NO: PB210CQ4

ITEM	QTY.	U/M	DESCRIPTION	B.W.L. NO.
01	3	EA.	FLATWASHER, 1/4"	0152926
02	2	EA.	HOLDER, ROD FLUSH MOUNT	1035286
03	3	EA.	OHMS, 1/4-20 X 1-1/2"	1010438
04	2	EA.	PEDESTAL, ALUM 7.5" FLUTED	1058536
05	12	EA.	SCR, TAP #1/4-20 X 1" PFH	1009950
06	1	EA.	PANEL, HDPE CLSOUT QTR S	1067255
07	6	EA.	SCR, TAP #10A X 1" POH	1010362
08	1	EA.	HOLDER, HDPE PENCIL STRIP	1057363
09	3	EA.	SCR, TAP #10A X 1.5" POH	1008515
10	1	EA.	BOX, ABS FIRE EXT WHT CAP	1037480
11	6	EA.	SCR, TAP #8A X 1/2" PTH	1008812
12	1	EA.	BRKT, BLKH FWD	1030394
13	3	EA.	SCR, TAP #10A X 3/4" PTH	1008762
14	1	EA.	BRKT, LIFT CYL OFFSET W/STUD	0995084
15	1	EA.	CYL, GAS 30PSI 20" EXT	0688564
16	4	EA.	SCR, 1/4-20 X 3"	1008622
17	1	EA.	HATCH DECK 19.25 X 19.25	1028208
18	1	EA.	SCREEN DECK 18 X 18	1028224
19	1	EA.	TRIM RING HATCH 1/4" LIP	1028232
20	2	EA.	LIGHT NAV, SURF HORIZ	0996496
21	3	EA.	SCR, TAP #6A X 1" PPH	1008564
22	1	EA.	BOX, HDPE ELECTRONIC	1057249
23	1	EA.	LIGHT DOME EXTERIOR 4" WHT	0996488
24	2	EA.	ACCESS, PLATE, TWIST-OUT 8"	1068659
25	12	EA.	RIVET, #3/16 X 5/8" ALUM	0189415
26	2	EA.	PORT LIGHT ELLIPSE 6" X 16"	1028216
27	2	EA.	RAIL, GRAB 11" X 1.5"	1057504
28	1	EA.	WASHER, FENDER 5/16" X 1.5"	0952002
29	1	EA.	NUT, HEX NYLON LOCK 5/16"-18	1007814
30	1	EA.	DRAIN, ELBOW 90DEG 1.5" W	1041961
31	5	EA.	DRINK HOLDER	1041987
32	7	EA.	CLEAT 8" HVY DUTY HOL BASE	1027010
33	2	EA.	SCR, TAP #1/4-20 X 1" PFH	1009950
34	1	EA.	BOOT CABLE 3" BLK	1043330
35	1	EA.	BOOT CABLE 3" BLK	1043330
36	6	EA.	RIVET 3/16" X 5/16 ALUM	0189415
37	1	EA.	HATCH, UTILITY 12.25" X 16.5"	0679886
38	16	EA.	RIVET 3/16" X 5/16 ALUM	0189415
39	2	EA.	PANEL HINGE, 1-1/2" X 3"	0995159
40	1	EA.	PULPIT ASSEMBLY	18J67406
41	3	EA.	LIGHT COUT SURF CLR/GROUND	1062355
42	3	EA.	LOCKNUT, 14-20	1009786
43				
44	4	EA.	SCR, TAP #10A X 1" POH	1008507
45	12	EA.	SCR, TAP #6A X 1/2" PFH	1010362
46	1	EA.	BOLSTER, CKPT PORT	1058452
47	1	EA.	BOLSTER, CKPT STBD	1058445
48	2	EA.	SCR, TAP #8A X 5/8" PTH	1010925
49	13	EA.	SCR, TAP #10A X 3/4" PTH	1008762
50				
51	4	EA.	WASHER, FENDER, 1/4" X 1.25"	0189365
52	4	EA.	NUT, LOCK #1/4-20	1009786
53	2	EA.	SCR, TAP #8A X 1/2" PTH	1008812
54	3	EA.	SCR, TAP #10A X 3/4" PTH	1010552
55	4	EA.	SCR, TAP #6A X 1/2" PTH	1008796
56	1	EA.	COMPASS, FLUSH MT	0141788
57	3	EA.	SCR, TAP #6A X 1" PFH	1010354
58	1	EA.	BOX, HDPE TACKLE	1057231
59	1	EA.	DECK PLATE, GAS 1.5"	0859017
60	1	EA.	DECK PLATE, WTR W/VENT 45DEG	1057454
61	1	EA.	DECK PLATE, WASTE	0291757
62	8	EA.	WASHER, FENDER #1/4" X 1.25"	0189365
63	8	EA.	NUT, LOCK #1/4-20	1009786
64	1	EA.	SCR, TAP #10A X 1.5 PFH	1009943
65	1	EA.	INSERT, RUB RAIL CHAR FLEX 54'	1020841
66	1	EA.	RUB, RAIL PLASTIC CHAR	1020882
67	1	EA.	CAP, END RUB RAIL PORT	1057553
68	1	EA.	CAP, END RUB RAIL STBD	1057546
69	2	EA.	SCR, TAP #10A X 1" PTH	1008739
70	2	EA.	SCR, TAP #10A X 2" PTH	1008754
71	3	EA.	TRIM VINYL RIGID 1" X 1.5"	1040948
72	3	EA.	SCR, TAP #10A X 1" PTH	1008739
73	1	EA.	ANCHOR LOCKER COVER	22042601
74	1	EA.	HANDLE HATCH	1014455
75	2	EA.	SCR, TAP #8A X 1/2" PTH	1008812
76	4	EA.	ROD HOLDER 2" X 3/16" BLK	0860379
77	16	EA.	SCR, TAP #8A X 3/4" PPH	1010651
78	1	EA.	CATCH, ROLLER	1043066
79	2	EA.	SCR, TAP #8A X 1/2" PTH	1008812
80	1	EA.	PLATE, DECK GAS 1.5"	0859017
81	1	EA.	LIGHT, RECESSED RPUND FROST LENS WHT	0860320
82	1	EA.	HORN, CONCEALED COMPACT ELEC DROP-IN	875476
83	1	EA.	HORN GRILL, SNAP-IN WHT PLAS	875468

Boston Whaler, Inc.

DWG. NO. PB210CQ5



UNLESS OTHERWISE SPECIFIED:
 DIMENSIONS ARE IN INCHES
 TOLERANCES
 DECIMALS ANGULAR
 ± .X ± X
 ± .XX ± X
 DO NOT SCALE DRAWING

ASSEMBLY & PARTS IDENT. DOCUMENT

SCALE: NONE DRAWN JS
 DATE: 12/15/99 CHKD.
 DESIGN
 C MFG.

BOSTON WHALER
 EXPEDITION

ENGINEERING DEPARTMENT

CODE	DESCRIPTION	DATE	BY	APPD
REVISIONS				

TITLE
 21' CONQUEST DECK ASSY-2

DWG. NO. PB210CQ5

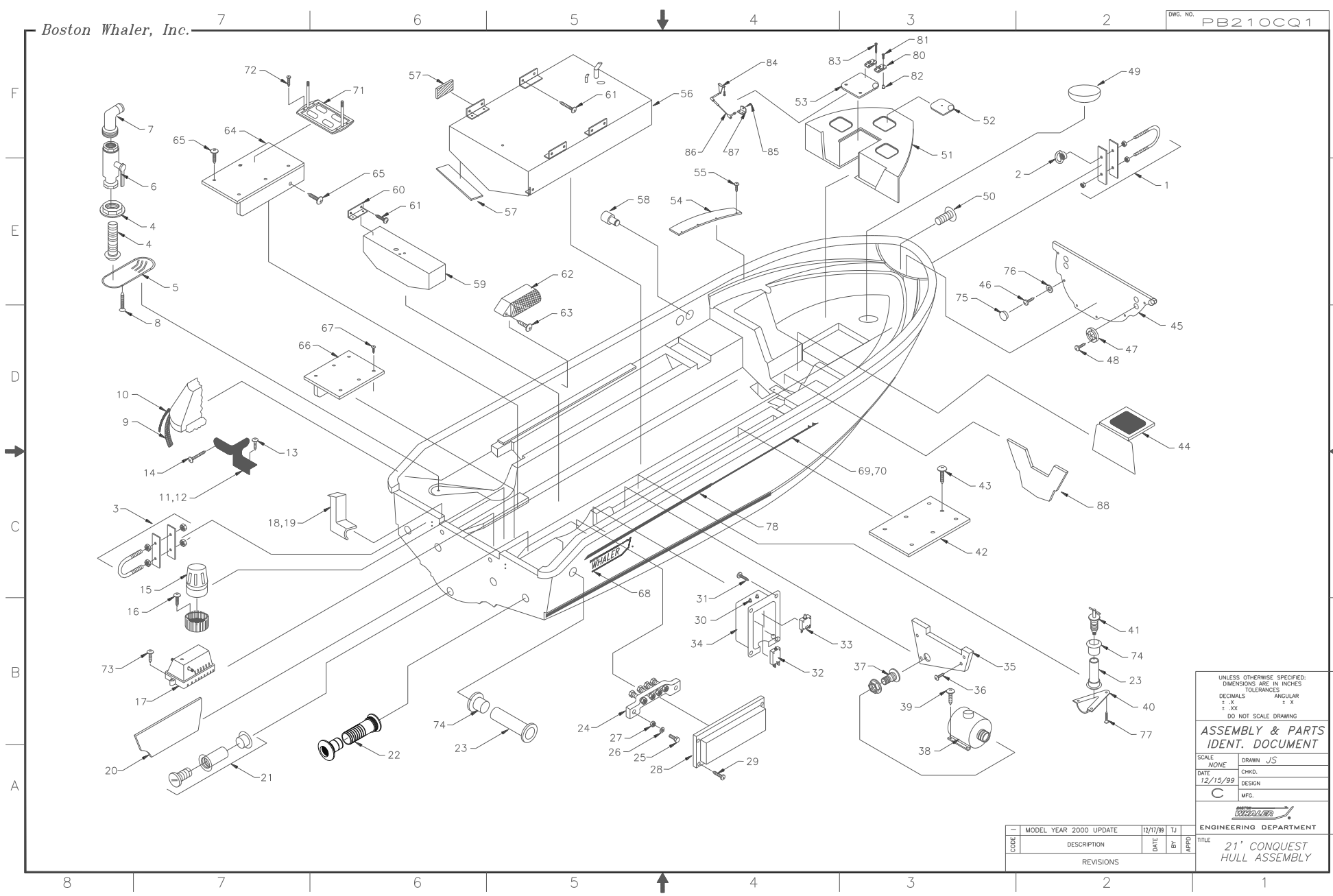
MODEL YEAR 2000 PARTS LIST

BOAT MODEL: 21' CONQUEST, DECK ASSY-2
DOCUMENT CONTROL NO: PB210CG6

ITEM	QTY.	U/M	DESCRIPTION	B.W. NO.
01	1	EA.	RAIL, GRAB MOTORWELL	1323708
02	21	EA.	SCR, TAPPING, #1/4-20 X 1" PPH	1008580
03	2	EA.	BUMPER, BLACK	1039239
04	8	EA.	SCR, TAP 10A X 1" POH	1008507
05	1	EA.	POCKET, HDPE PORT SIDE	1043207
06	8	EA.	SCR, TAP #8A X 5/8" PTH	1010925
07	1	EA.	RAIL, GRAB W/O STUD	1011675
08	1	EA.	SHELF, PLEX SML	1036920
09	1	EA.	SHELF, PLEX LRG	1036912
10	1	EA.	WIND SHIELD	1318096
11	1	EA.	CLIP, BLK STORAGE POLE	0590646
12	12	EA.	SCR, TAP #8A X 3/4" POH	0150797
13	8	EA.	SCR, TAP #8A X 1.50" POH	0150821
14	1	EA.	BRACE, WIND SHIELD	1058296
15	1	EA.	SCR, MACH #5/16-18 X 1.5" PFH	1008044
16	2	EA.	SCR, TAP #8A X 1/4" PTH	1010644
17	1	EA.	WIPER MOTOR, DECK MOUNT	1058767
18	1	EA.	WIPER, ARM ADAPTER	1058783
19	1	EA.	WIPER, ARM 10-14" DELUXE	1058783
20	1	EA.	WIPER BLADE, 14" CURVED	1019967
21	1	EA.	RAIL, BOW	1057496
22	18	EA.	SCR, TAP #1/4-20 X 1" PPH	1008580
23	6	EA.	SCR, MACH #1/4-20 X 1.5" PPH	1008598
24	6	EA.	WASHER, FLAT #1/4"	0152926
25	6	EA.	NUT, LOCK #1/4-20	1009786
26	6	EA.	SCR, TAP #14A X 1" PPH	1008689
27	1	EA.	TRIM, HDPE CNSL STRG	1057355
28	1	EA.	PANEL, SWITCH LIGHT/PUM	1058213
29	1	EA.	PANEL, NO PRERIG BLANK	1058221
30	1	EA.	DOOR, HDPE COMPANIONWAY	1057348
31	2	EA.	SCR, MACH #8-32 X 1" PTH	1008713
32	12	EA.	SCR, TAP #10A X 1" PTH	1008739
33	12	EA.	SCR, TAP #10A X 1" PTH	1008739
34	1	EA.	HANDLE, HATCH	1014455
35	2	EA.	BRACE, B/R CUSH STBD	1057439
36	1	EA.	BASE, QTR, SEAT ATBD	1283829
37	1	EA.	CUSH, SEAT STBD	1058494
38	20	EA.	SCR, TAP #8A X 3/4" PFH	1008408
39	12	EA.	SCR, TAP #10A X 1" PTH	1009950
40	1	EA.	LADDER, TELESCOPING 3-ST	1034859
41	4	EA.	SCR, MACH #1/4-20 X 1" PPH	1008580
42	4	EA.	WASHER, FLAT #1/4-20	0152926
43	4	EA.	NUT, LOCK #1/4-20	1009786
44	1	EA.	BASE, QTS SEAT PORT	1057397
45	1	EA.	CUSH SEAT PORT	1058502
46	1	EA.	BOLT VARREL CHROME	1033042
47		EA.		
48	1	EA.	STR WHEEL, 16" DIA 10DEG	1020221
49	1	EA.	HASP, SWIVEL MINT	0995134
50	8	EA.	SCR, TAP #6A X 1/2" PFH	1010362
51	1	EA.	FUEL TANK CVR	22J52000
52	1	EA.	FISHWELL CVR	22J52500
53	4	EA.	SCR, TAP #6A X 1/2" PTH	1008796
54	4	EA.	SCR, TAP #6A X 1/2" PTH	1008796
55	2	EA.	SCR, MACH 1/4-20 X 1" PPH	1008689
56	2	EA.	WASHER, FLAT #1/4-20	0152926
57	2	EA.	NUT, LOCK #1/4-20	1009786
58	2	EA.	STR BUCKET, HELM CONS	0995282
59	1	EA.	STEERING BEZEL 90DEG	0626150
60	4	EA.	SCR, TAP #8A X 3/4" PFH	1008408
61	4	EA.	SCR, TAP #8A X 1/2" PTH	1008812
62	6	EA.	SCR, MACH #1/4-20 X 1" PPH	1008580
63	6	EA.	WASHER, FLAT 1/4-20	0152926
64	6	EA.	NUT, LOCK #1/4-20	1009786
65	2	EA.	RAIL, GRAB TOE	1012764
66	6	EA.	SCR, TAP #10A X 1" PTH	1008739
67	2	EA.	NUT, HEX NYLON LOCK #10-24	1007772
68	2	EA.	WASHER, FLAT #10	0152918
69	6	EA.	SCR, TAP #10A X 1.5" POH	1008515
70	1	EA.	ROD HOLDER UNDER GUN'L PORT	1036342
71	1	EA.	ROD HOLDER UNDER GUN'L STBD	1036359
72	2	EA.	SCR, MACH #1/4-20 X 1.5" PPH	1008598
73	2	EA.	WASHER, LOCK/SPLIT 1/4"	0153668
74	2	EA.	SCR, MACH #10-24 X 1.75" PPH	1008648
75	1	EA.	PORT HELM SEAT CVR, FBRGLS	22J47600
	1	EA.	STBD HELM SEAT CVR, FBRGLS	22J52300
76	7	EA.	HINGE, DOOR, 1.5 X 3.0"	0995159
77	21	EA.	SCR, MACH, #10-24 X 5/8" POH	1010545
78	14	EA.	SCR, TAPPING, #10 X 1" POH	1008507
79	21	EA.	NUT, BBL, #10-24 X 3/8" PFH	1040187
80	10	EA.	TRIM SEAL	1062330
81	1	EA.	CUSHION, B/R, PORT QTR SEAT	1058486

Boston Whaler, Inc.

DWG. NO. PB210CQ1



UNLESS OTHERWISE SPECIFIED:
DIMENSIONS ARE IN INCHES
TOLERANCES

DECIMALS	ANGULAR
± .X	± X
± .XX	

DO NOT SCALE DRAWING

ASSEMBLY & PARTS IDENT. DOCUMENT

SCALE	NONE	DRAWN	JS
DATE	12/15/99	CHKD.	
		DESIGN	
		MFG.	

ENGINEERING DEPARTMENT

MODEL YEAR	2000 UPDATE	DATE	12/17/99	BY	TJ
CODE	DESCRIPTION	DATE	BY	APPD	
REVISIONS					

TITLE
21' CONQUEST HULL ASSEMBLY

MODEL YEAR	2000 UPDATE	DATE	12/17/99	BY	TJ
CODE	DESCRIPTION	DATE	BY	APPD	
REVISIONS					

DWG. NO. PB210CQ1

MODEL YEAR 2000 PARTS LIST

BOAT MODEL: 21' CONQUEST HULL ASSEMBLY
DOCUMENT CONTROL NO. PB210002

ITEM	QTY	U/W	DESCRIPTION	BLK. NO.
01	1	EA.	EYE, BOW 1/2" X 4"	0995472
02	1	EA.	EYE, LIFTING 1/2" CHR	1033091
03	2	EA.	EYE, BOW 1/2" X 4"	0995456
04	2	EA.	THRU-HULL, BRZ 3/4" W/NUT	1032499
05	2	EA.	STRAINER, MAR 3/4" SCREEN ONLY	0995589
06	2	EA.	VALVE, MAR BALL 2-WAY 3/4"	0567958
07	2	EA.	TAILPIECE, 3/4" NPT X 3/4" BARB 90DEG	0567959
08	4	EA.	SCR, TAP #10A X 1" PTH	1008739
09	1	EA.	RUBRAIL, PLASTIC CHAR 54"	1020882
10	1	EA.	INSERT RUBRAIL, CHAR FLEX 54"	1020841
11	1	EA.	CAP, RUBRAIL END STBD	1057546
12	1	EA.	CAP, RUBRAIL END PORT	1057553
13	2	EA.	SCR, TAP #10A X 3/4" PTH	1008762
14	2	EA.	SCR, TAP #10A X 2" PTH	1008754
15	1	EA.	PUMP, BILGE 1000GPH	0273003
16	3	EA.	SCR, TAP #8A X 5/8" PTH	1010925
17	1	EA.	SWITCH, FLOAT RULE W/CVR	0989335
18	1	EA.	CAP, END MOTORWELL PORT	1057538
19	1	EA.	CAP, END MOTORWELL STBD	1068758
20	1	EA.	BULKHEAD, HDPE AFT QTR STBD	1057256
21	1	EA.	THRU-HULL, PLAS DRN W/FLNG	1042050
22	4	EA.	THRU-HULL, PLAS 2" SCUP W/ FLAP	0628081
23	4	EA.	THRU-HULL, PVC PRESS-FIT	1042084
24	1	EA.	BUSS, BAR GROUND COPPER	1030626
25	2	EA.	SCR, MACH #5/16-18 X 1-1/2" HEX NUT	1008044
26	2	EA.	WASHER, LOCK/SPLIT 5/16"	0952002
27	2	EA.	NUT, HEX NYLON LOCK #5/16-18	1007814
28	1	EA.	COVER, BUSS BAR BLK	1001197
29	4	EA.	SCR, TAP #8A X 5/8" PTH	1010925
30	1	EA.	BOOT, RESET BRKR BLK	1042563
31	4	EA.	SCR, TAP #8A X 5/8" PTH	1010925
32	1	EA.	BRKR/SWCH, PUSH BUTTON 50A	1032457
33	1	EA.	BRKR, MANUAL RESET 5A	0670497
34	1	EA.	BOX, ABS HARNESS	1037530
35	1	EA.	CAP, HDPE FISHWELL END SEAFM	1090612
36	5	EA.	SCR, TAP #10A X 1.5" PTH	1008747
37	1	EA.	DRAIN, CKPT W/SCREEN	0995118
38	1	EA.	PUMP, LW/GENERAL PURP 12V	0653725
39	4	EA.	SCR, TAP #14A X 1.5" PTH	1010909
40	1	EA.	VENT, CLAMSHELL ROPE LCKR 2" X 2"	0533430
41	2	EA.	PLUG, BRASS 1" DRN TURN-TITE	0133371
42	1	EA.	PANEL, CLOSEOUT FISHWELL	1057298
43	7	EA.	SCR, TAP #8A X 5/8" PTH	1010925
44	1	EA.	STEP, CABIN INTERIOR, FBRGLS	22,264600
45	1	EA.	CUSH, CABIN INT FWD BULK	1058379
46	6	EA.	SCR, TAP #10A X 1.5" POH	1008515
47	4	EA.	ROD HLDER, PLAS 2" ID/3/16" DIA	0860379
48	16	EA.	SCR, TAP #6A X 3/4" POH	1008556
49	1	EA.	CVR, 10.25" POUR HOLE WHT PLUS	1001122
50	2	EA.	DRAIN, FLUSH IMPACT 5/8"	0518878
51	1	EA.	V BERTH, FBRGLS	22J52100
52	3	EA.	LID, PROPNL VBERTH WHT	1057389
53	1	EA.	LID, HDPE HEAD ACCESS SEAFM	1057371
54	1	EA.	CVR, ABS VBERTH HOSE SEAFM	1057272
55	6	EA.	SCR, TAP #8A X 5/8" PTH	1010925
56	1	EA.	TANK, FUEL 92GAL	1058288
57	5	EA.	RUBBER PAD, FUEL TK 1/4" X 2"	1042449
58	1	EA.	VENT, FUEL TANK 3/4"	0859157
59	1	EA.	TANK, WATER 20GAL	1033521
60	2	EA.	BRKT, WATER TK 2" X 2" X 6"	1033521
61	12	EA.	SCR, TAP #14A X 1.5" PTL	1030469
62	3	EA.	LIGHT, COURTESY SURF MT CLR	1010909
63	6	EA.	SCR, TAP #8A X 5/8" PTH	1061925
64	1	EA.	SHELF, HDPE BATT PORT	1036946
65	6	EA.	SCR, TAP #10A X 1.5" PTH	1008747
66	1	EA.	SHELF, BATTERY	1036953
67	3	EA.	SCR, TAP #10A X 1.5" PTH	1008747
68	1	EA.	DECAL, LOGO 28" FIRE RED	0998104
	1	EA.	DECAL, LOGO 28" DK BLUE	0998088
	1	EA.	DECAL, LOGO 28" DK GREEN	0998096
69	1	EA.	DECAL, HARP PORT, FIRE RED	0998599
	1	EA.	DECAL, HARP PORT, DK BLUE	0998450
	1	EA.	DECAL, HARP PORT, DK GREEN	0998542
70	1	EA.	DECAL, HARP STBD, FIRE RED	0998609
	1	EA.	DECAL, HARP STBD, DK BLUE	0998476
	1	EA.	DECAL, HARP STBD, DK GREEN	0998591
71	1	EA.	HOLDER, BATT W/POLY S	1058197
72	4	EA.	SCR, TAP #14A X 1" PPH	1008689
73	2	EA.	SCR, TAP #8A X 5/8" PTH	1010925
74	4	EA.	NUT, PVC RETAIN THRU-HULL	1042068
75	10	EA.	SNAP, CAP PLUS WHT	1031301
76	1	EA.	SNAP, CAP PLUS WASHER	1031319
77	3	EA.	SCR, TAP #6A X 3/4" POH	1008564
78	78	EA.	TAPE, 1" SOLID, W/STRIP, RED	1038009
	78	EA.	TAPE, 1" SOLID, W/STRIP, BLUE	1037985
	78	EA.	TAPE, 1" SOLID, W/STRIP, GREEN	1037993
79	PR	EA.	DECAL, 21CQ, FIRE RED	1057215
	PR	EA.	DECAL, 21CQ, DK BLUE	1057207
	PR	EA.	DECAL, 21CQ, DK GREEN	1057119
80	2	EA.	HINGE, DOOR, 1-5 X 3"	0995150
81	6	EA.	SCR, MACH #10-24 X 5/8" POH	1010545
82	6	EA.	NUT, BBL, #10-24 PPH	1040187
83	4	EA.	SCR, TAPPING, #10 X 1" POH	1008507
84	1	EA.	BRACKET, L-SHAPE	817676
85	4	EA.	SCR, TAPPING, #8A X 1/2" PTH	1008812
86	1	EA.	CYLINDER, GAS	6885644
87	1	EA.	BRACKET, OFFSET	995084
88	1	EA.	BULKHEAD, PORTA-POTTI	1332022

NOT SHOWN

1	EA.	CARD, WARRANTY REF CARD FRM	1033646
1	EA.	DOCUMENT, BW LTD WARRANTY TSMT	1129774
1	EA.	CARD, COMMISSION CHK LIST	1042175
1	EA.	CARD, WIRE COLOR CHART	1042183
1	EA.	MANUAL, OWNERS	1033109
1	EA.	PACKET, BW OWNERS BAG DOC	1031228
1	EA.	LABEL, WARNING SWIM PLATFORM	1016948
1	EA.	LABEL, NOTICE STRG 235HP	1017128
1	EA.	LABEL, NO SMOKING FUEL VENT	1011644
2	EA.	PILLOW, THROW, RED	1057892
1	EA.	BOLSTER, CABIN, PORT, RED	1058346
1	EA.	BOLSTER, CABIN, STBD, RED	1058361
1	EA.	CANVAS, HT DROP CURT, RED	1058635
1	EA.	CANVAS, DROP CURT, RED	1058692
1	EA.	CANVAS, CAMP TOP W/BOOT, RED	1058601
1	EA.	CANVAS, BIM TOP W/BOOT, RED	1135953
1	EA.	CANVAS, SIDE CURT SET, RED	1058726
1	EA.	CANVAS, VISOR CURT, RED	1131750
1	EA.	CANVAS, SIDE CURT SET, RED	1058668
1	EA.	CANVAS, H/T VISOR CURT, RED	1139286