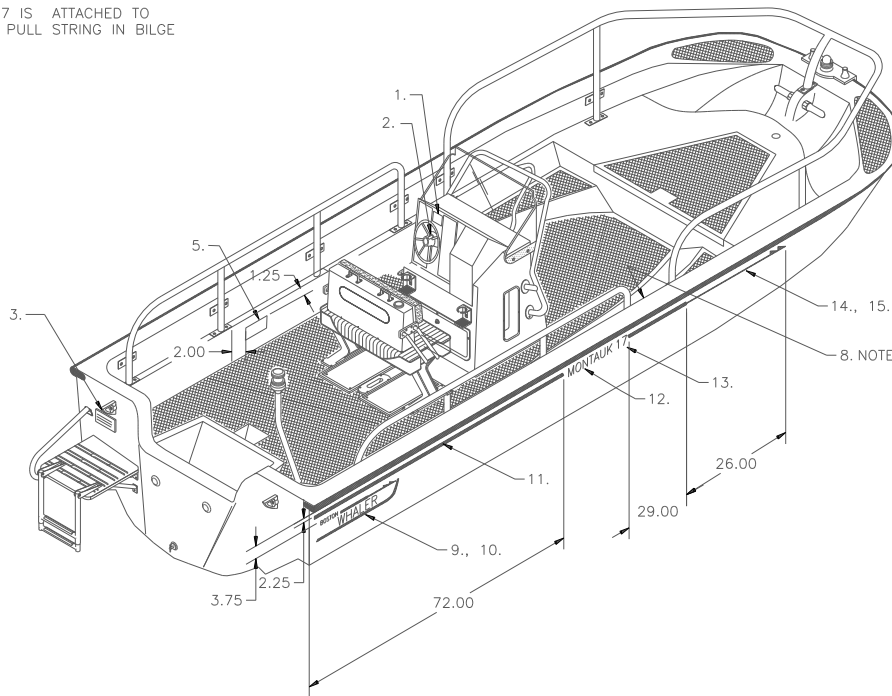


CENTER 4. 1" TO PORT OF TERMINAL BLOCK
TAG #7 IS ATTACHED TO WHITE PULL STRING IN BILGE

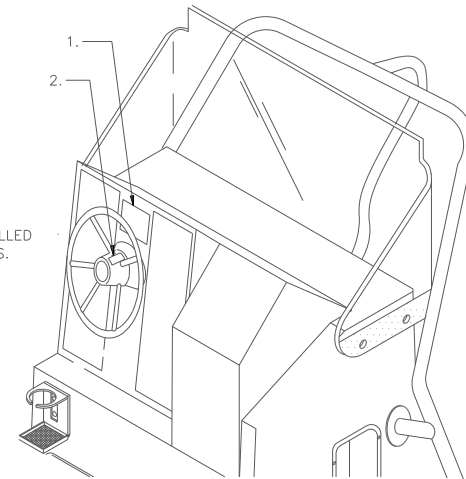
NOTES:

1. CLEAN ALL AREAS WITH DENATURED ALCOHOL BEFORE APPLYING LABELS.
2. LABEL #6 SHALL BE INCLUDED IN OWNERS DOCUMENTS PACKET.



8. NOTE: NMMA PLATE INSTALLED W/ 4 POP- RIVETS.

CENTER LABEL 1. IN SPACE AVAILABLE
LABEL 2. GOES ON STEERING HUB



UNLESS OTHERWISE SPECIFIED:
DIMENSIONS ARE IN INCHES
TOLERANCES
DECIMALS ANGULAR
± .X ± X
± .XX ± .X
DO NOT SCALE DRAWING

ASSEMBLY & PARTS IDENT. DOCUMENT

SCALE: NONE DRAWN: HR
DATE: 3/24/00 CHKD.:
DESIGN:
C MFG.:



ENGINEERING DEPARTMENT
TITLE: 17' MONTAUK GRAPHICS & LABEL LOCATIONS,

CODE	DESCRIPTION	DATE	BY	APPROV
REVISIONS				

MODEL YEAR 2001 COPY 5/12/00 R

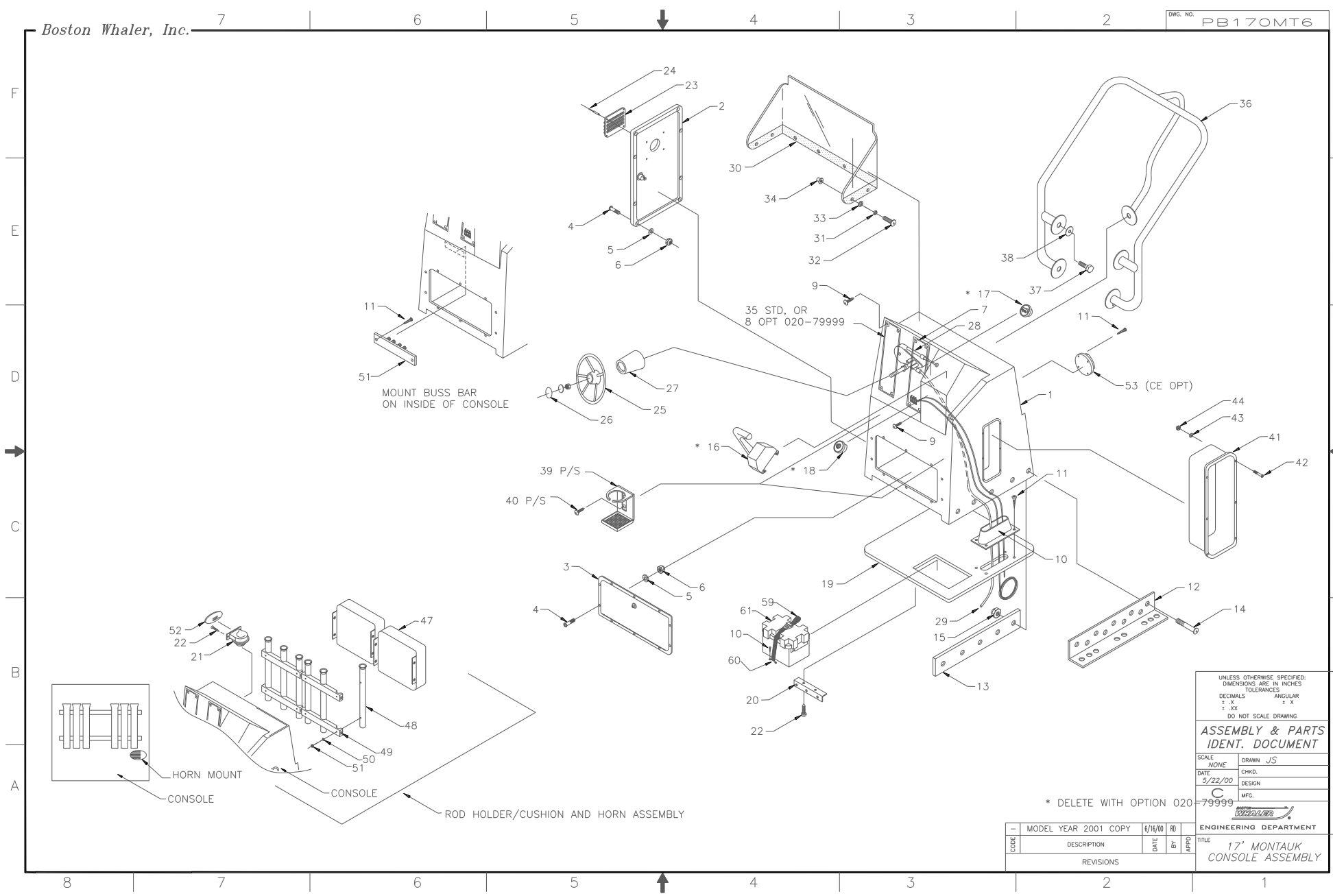
MODEL YEAR 2001 PARTS LIST

BOAT MODEL: 17' MONTAUK
DOCUMENT CONTROL NO: PB170MT11

ITEM	QTY.	U/M	DESCRIPTION	B.W.I. NO.
01	1	EA.	LABEL, BW SAFETY HI PERF- BOAT	1017136
02	1	EA.	LABEL, BW STEERING PULL WARNING	1016518
03	1	EA.	LABEL, BW WARNING SWIM PLATFORM	1016948
04	1	EA.	LABEL, BW TERMINAL BLOCK	1016922
05	1	EA.	LABEL, BW WARNING 170MT STERN SEAT	1016930
06	1	EA.	LABEL, BW WINDSHIELD CARE	1016955
07	1	EA.	TAG, BW DO NOT PULL RIGGING	999755
08	1	EA.	PLATE, NMMA 97-BW 170MT	1109255
09	1	EA.	DECAL, BW LOGO 18" RED PORT (DRIP MOLD)	1452663
	1	EA.	DECAL, BW LOGO 18" BLUE PORT (DRIP MOLD)	1452671
10	1	EA.	DECAL, BW LOGO 18" RED STBD (DRIP MOLD)	1457654
	1	EA.	DECAL, BW LOGO 18" BLUE STBD (DRIP MOLD)	1457662
11	30	FT.	TAPE, SOLID 1" FIRE RED W/PIN STRP	1038009
	30	FT.	TAPE, SOLID 1" CORBIN DK BLUE W/PIN S	1037985
12	2	EA.	DECAL, BW MONTAUK DK GREY HIBOSSCAL	998666
13	2	EA.	DECAL, BW 17' FIRE RED HIBOSSCAL	997783
	2	EA.	DECAL, BW 17' CORBIN DK BLUE HIBOSSCA	997734
14	1	EA.	DECAL, BW HARPOON PORT FIRE RED	998559
	1	EA.	DECAL, BW HARPOON PORT CORBIN DK BLUE	998450
15	1	EA.	DECAL, BW HARPOON STBD FIRE RED	998609
	1	EA.	DECAL, BW HARPOON STBD CORBIN DK BLUE	998476

Boston Whaler, Inc.

DWG. NO. PB170MT6



UNLESS OTHERWISE SPECIFIED:
 DIMENSIONS ARE IN INCHES
 TOLERANCES
 DECIMALS ANGULAR
 ± .X ± X
 ± .XX ± .X
 DO NOT SCALE DRAWING

ASSEMBLY & PARTS IDENT. DOCUMENT

SCALE: NONE DRAWN: JS
 DATE: 3/22/00 CHKD.:
 DESIGN:
 MFG.:
 79999

ENGINEERING DEPARTMENT

TITLE: 17' MONTAUK CONSOLE ASSEMBLY

* DELETE WITH OPTION 020-79999

CODE	DESCRIPTION	DATE	BY	APPD
—	MODEL YEAR 2001 COPY	6/16/00	RD	
REVISIONS				

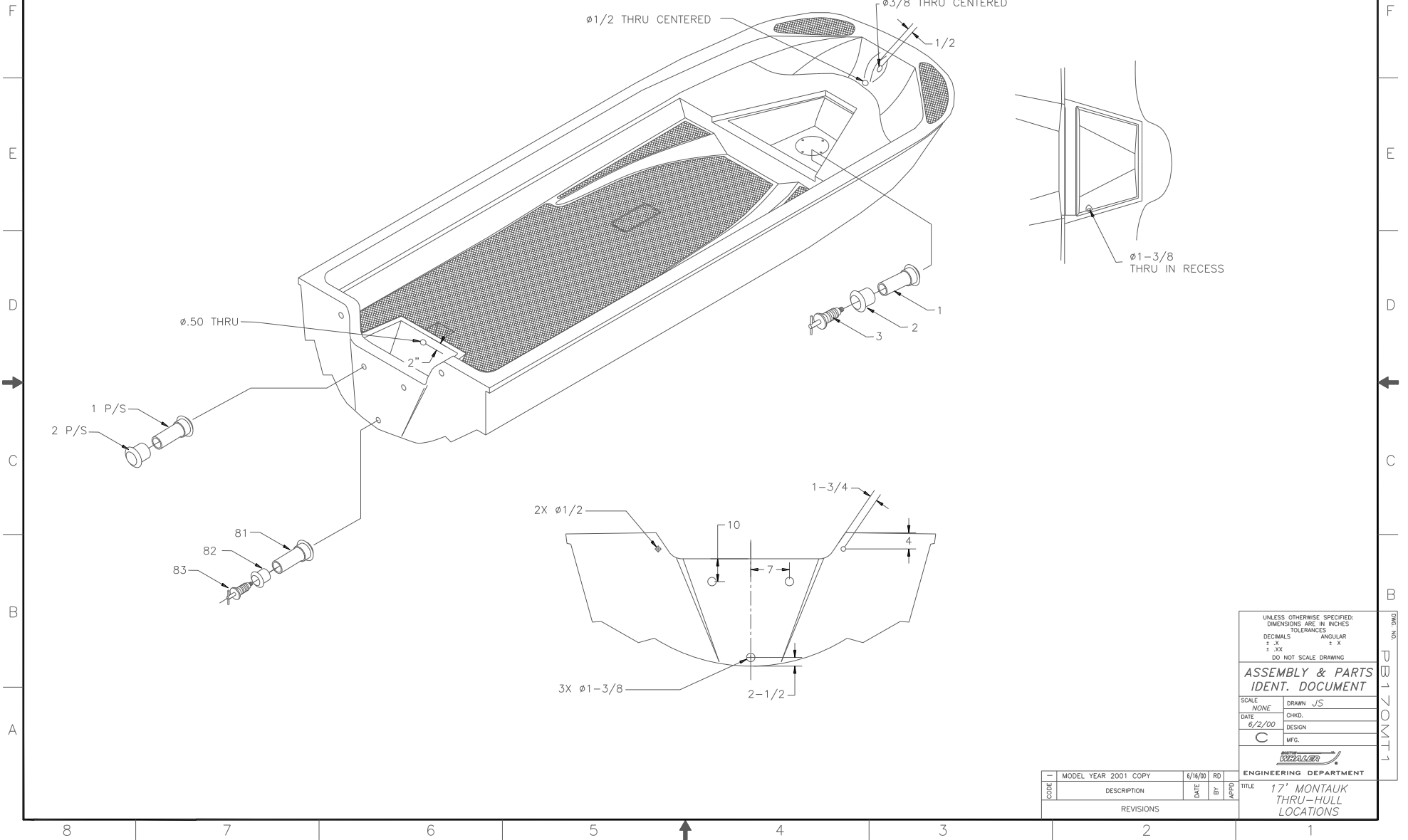
MODEL YEAR 2001 PARTS LIST

BOAT MODEL: 17' MONTAUK
DOCUMENT CONTROL NO: PB170MT7

ITEM	QTY.	U/M	DESCRIPTION	B.W.I. NO.
1	1	EA.	FIBERGLASS PART, BW170MT-98 CNSL WHT	1067966
2	1	EA.	DOOR, PLEX BW-98 12" X 16" W/LOCK WH	1068238
3	1	EA.	DOOR, PLEX BW-98 27" X 11 1/2" W/LOCK	1068220
4	18	EA.	SCREW, MACHINE #8-32 X 3/4" PTH	1010735
5	18	EA.	WASHER, FLAT #8	0152900
6	18	EA.	NUT, LOCK #8-32	1009927
7	1	EA.	PANEL, BW170MT-01 SWITCH	1452432
8	1	EA.	PANEL, BLANK: BW170MT-01 CNSL	1455476
9	4	EA.	SCREW, TAPPING #6A X 1/2" PTH SC	1008796
10	1	EA.	INSERT, HDPE BW-97 TUNNELL COLLAR BL	1043140
11	9	EA.	SCREW, TAPPING #8A X 5/8" PTH SC	1010925
12	2	EA.	PLATE, BW170MT-97 CNSL MNT ANGLE AL	1030188
13	2	EA.	PLATE, BW170MT-97 CNSL BACK UP	1023431
14	22	EA.	SCREW, MACHINE #1/4-20 X 1 1/2" POH S	0151639
15	10	EA.	NUT, HEX NYLON LOCK #1/4-20	1007764
16	1	EA.	CONTROL, CNSL MNT W/O HARNESS	278200
17	1	EA.	ACC PART, MERC SWITCH (SAFETY ASSY)	882605
18	1	EA.	HARNESS, IGN/CHOKE ASSY 20'	1037288
19	1	EA.	SHELF, HDPE BW170MT-97 CNSL WHT	1036961
20	4	EA.	BRACKET, BW170MT-97 CNSL SHELF	1030089
21	1	EA.	HORN, CONCEALED COMPACT ELEC DROP-IN	875476
22	14	EA.	SCREW, TAPPING #8A X 1/2" PTH SC	1008812
23	1	EA.	VENT, LOUVER PLAS. BLK 3.5" X 3.5"	1040906
24	4	EA.	RIVET, POP/BLIND #1/8" X 1/2" SS	0192112
25	1	EA.	STEERING WHEEL, 15" DIA SS 25 DEG	1020197
26	1	EA.	EMBLEM, STEERING WHEEL CAP	1021054
27	1	EA.	STEERING, BEZEL 90DEG NFB SGL	0626150
28	1	EA.	STEERING, HELM NFB SGL	0626143
29	1	EA.	CABLE, CONTROL MERCURY 15'	198812
30	1	EA.	WINDSHIELD, BW-97 CNSL	1032366
31	7	EA.	WASHER, FINISH #10	0896258
32	7	EA.	SCREW, MACHINE #10-32 X 1 1/4" PFH S	1010107
33	7	EA.	WASHER, FLAT #1/4"	0152926
34	7	EA.	NUT, WELL	1033422
35	1	EA.	PANEL, BW170MT-01 MERC PRERIG	1452358
36	1	EA.	RAIL, GRAB BW170MT-97 CNSL WELDED	1012129
37	5	EA.	SCREW, CAP #1/4-20 X 1" HEX HD SS	0153254
38	5	EA.	WASHER, FENDER 1/4" X 1 1/4"	0189365
39	2	EA.	DRINK HOLDER, PLAS VERT FOLDDOWN BLK	1019926
40	4	EA.	SCREW, TAPPING #10A X 3/4" PTH	1008762
41	1	EA.	BOX, ABS FIRE EXT LONG BLK	1037480
42	6	EA.	SCREW, MACHINE #8-32 X 3/4" PTH SC	1010735
43	6	EA.	WASHER FLAT #8	0152900
44	6	EA.	NUT, LOCK #8-32	1009927
45	1	EA.	PANEL, CNSL BLANK	1026350
46	4	EA.	SCREW, TAPPING #6A X 1/2" PTH SC	1008796
47	2	EA.	CUSH, CNSL ROD HLDR WHT/GRY	1008374
48	2	EA.	ROD HOLDER, BW170MT-98 ASSY SEAFM	1068618
49	4	EA.	SNAP STUD, W/#8 X 3/8" PH BR/NI/SS	0203786
50	8	EA.	WASHER, FLAT #10 SS	0152918
50	8	EA.	NUT, HEX NYLON LOCK #10-24 SC	1007772
51	1	EA.	BUSS BAR, BONDING SYSTEM	1031798
52	1	EA.	HORN GRILL, SNAP-IN WHT PLAS FOR HORN	875468
53	1	EA.	SWITCH, BATTERY ON/OFF W/O LOCK W/O	162701

Boston Whaler, Inc.

DWG. NO. PB170MT1



UNLESS OTHERWISE SPECIFIED:
DIMENSIONS ARE IN INCHES
TOLERANCES
DECIMALS ANGULAR
± .X ± X
± .XX ± .XX
DO NOT SCALE DRAWING

ASSEMBLY & PARTS IDENT. DOCUMENT

SCALE: NONE DRAWN JS
DATE: 6/2/00 CHKD.
DESIGN
MFG.

ENGINEERING DEPARTMENT

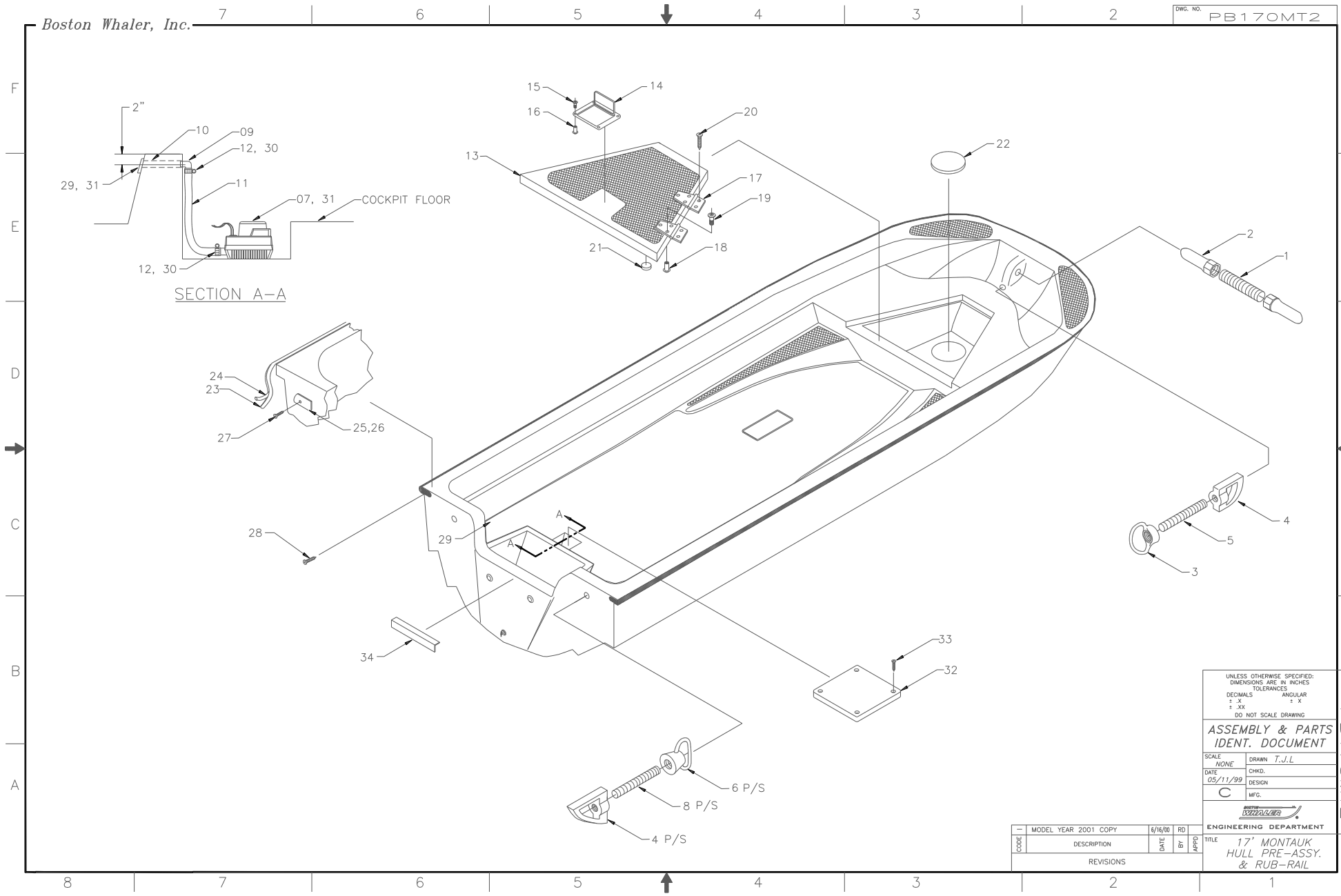
TITLE: 17' MONTAUK THRU-HULL LOCATIONS

CODE	MODEL YEAR 2001 COPY	6/16/00	RD
	DESCRIPTION	DATE	BY
	REVISIONS		

DWG. NO. PB170MT1

Boston Whaler, Inc.

DWG. NO. PB170MT2



SECTION A-A

COCKPIT FLOOR

UNLESS OTHERWISE SPECIFIED:
 DIMENSIONS ARE IN INCHES
 TOLERANCES
 DECIMALS ANGULAR
 ± .X ± X
 ± .XX ± .XX
 DO NOT SCALE DRAWING

ASSEMBLY & PARTS IDENT. DOCUMENT

SCALE	NONE	DRAWN	T.J.L.
DATE	05/11/99	CHKD.	
		DESIGN	
		MFG.	

ENGINEERING DEPARTMENT

TITLE: 17' MONTAUK HULL PRE-ASSY. & RUB-RAIL

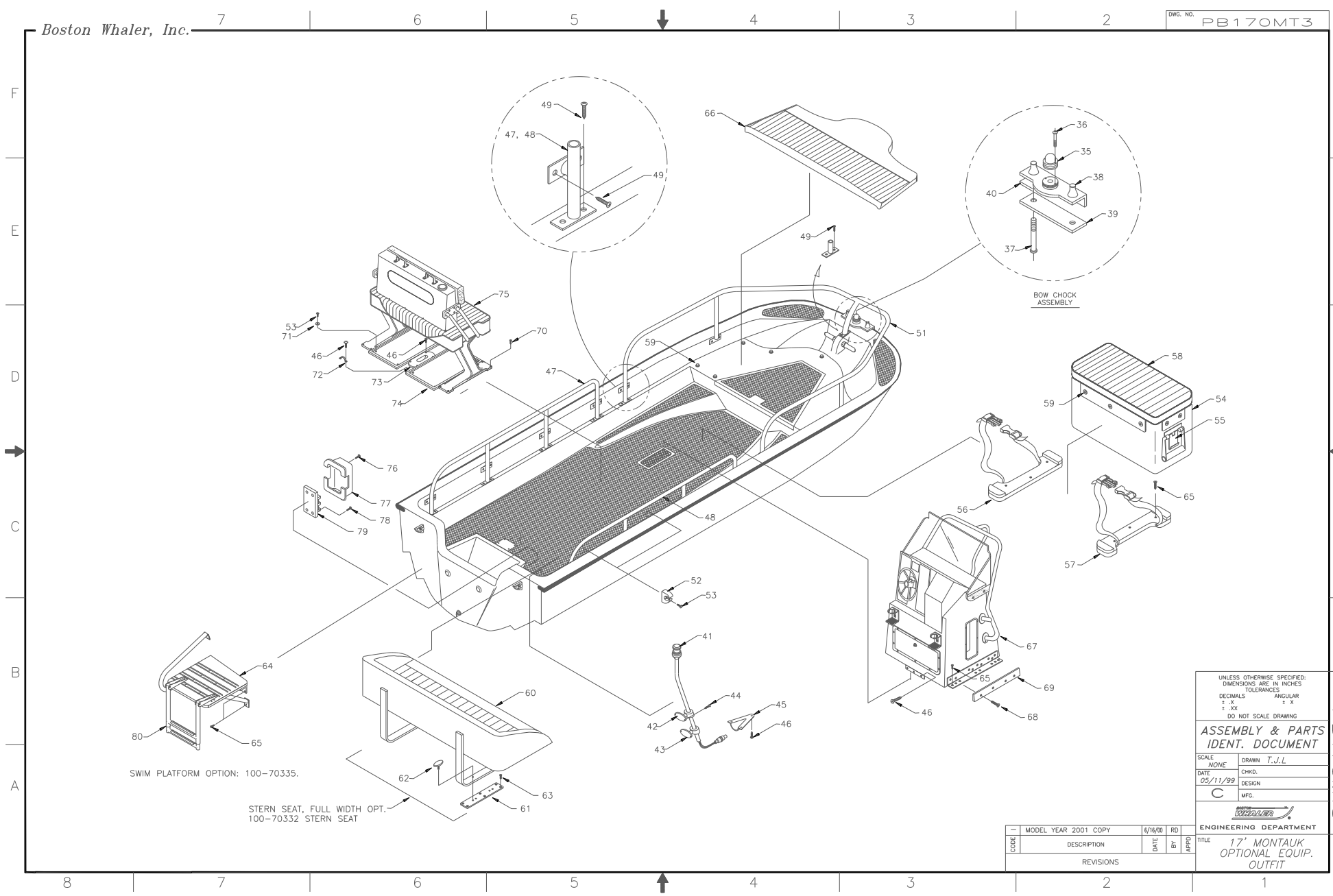
CODE	DESCRIPTION	DATE	BY	APPROV
REVISIONS				

MODEL YEAR 2001 COPY 8/16/00 RD

DWG. NO. PB170MT2

Boston Whaler, Inc.

DWG. NO. PB170MT3



SWIM PLATFORM OPTION: 100-70335.

STERN SEAT, FULL WIDTH OPT.
100-70332 STERN SEAT

UNLESS OTHERWISE SPECIFIED:
DIMENSIONS ARE IN INCHES
TOLERANCES
DECIMALS ANGULAR
± .X ± X
± .XX ± .XX
DO NOT SCALE DRAWING

ASSEMBLY & PARTS IDENT. DOCUMENT

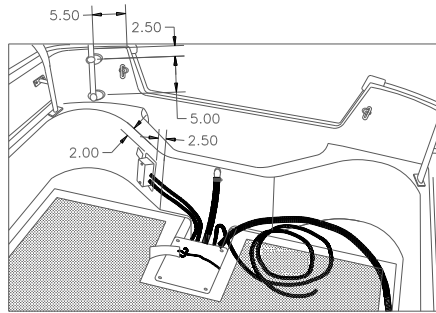
SCALE: NONE DRAWN: T.J.L.
DATE: 05/11/99 CHKD.:
DESIGN:
C MFG.:



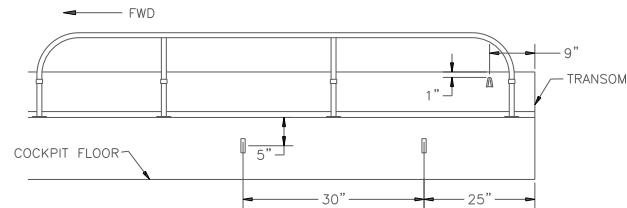
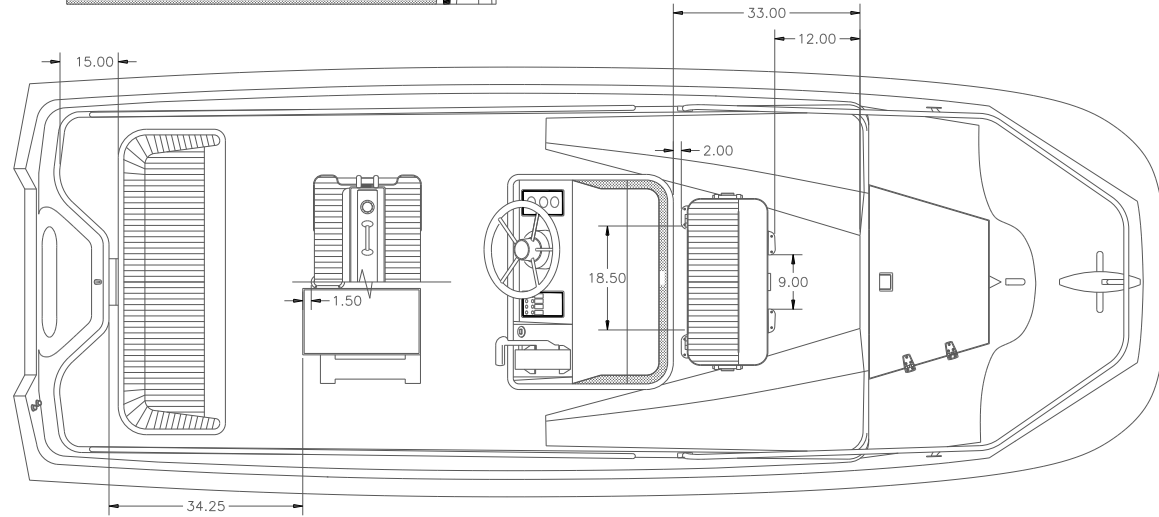
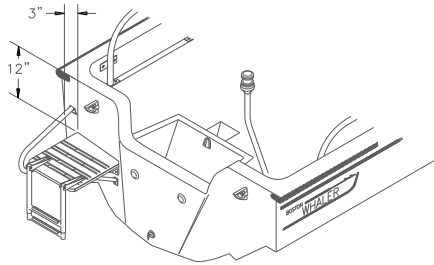
ENGINEERING DEPARTMENT
TITLE: 17' MONTAUK OPTIONAL EQUIP. OUTFIT

CODE	DESCRIPTION	DATE	BY	APPROV.
REVISIONS				

MODEL YEAR 2001 COPY 8/16/00 RD



- NOTES:
 1. MOUNT TERMINAL BLOCK JUST BELOW RADIUS AS SHOWN.
 2. USE SILICONE TO SEAL TERMINAL BLOCK TO FIBERGLASS.
 3. AFTER INSTALLATION ALL CONNECTIONS MUST BE COVERED WITH NEOPRENE.



POLE CLIP AND STERNLIGHT CLAMSHELL INSTALLATION
 VIEW AT STBD AFT SIDE OF BOAT

UNLESS OTHERWISE SPECIFIED:
 DIMENSIONS ARE IN INCHES
 TOLERANCES
 DECIMALS ANGULAR
 ± .X ± X
 ± .XX ± .XX
 DO NOT SCALE DRAWING

**ASSEMBLY & PARTS
 IDENT. DOCUMENT**

SCALE: NONE DRAWN JS
 DATE: 6/2/00 CHKD.
 DESIGN
 MFG.



ENGINEERING DEPARTMENT

TITLE: 17' MONTAUK
 OPTIONAL EQUIP.
 OUTFIT

CODE	DESCRIPTION	DATE	BY	APPD
REVISIONS				

MODEL YEAR 2001 COPY 6/16/00 RD

MODEL YEAR 2001 PARTS LIST

BOAT MODEL: 17' MONTAUK
DOCUMENT CONTROL NO: PB170MT5

ITEM	QTY.	U/M	DESCRIPTION	B.W.I. NO.
01	1	EA.	SNAP STUD, 3/8" X 3 1/32"	1040260
02	2	EA.	LIFT RING, NORMAN PIN	1035260
03	1	EA.	LIFT RING, BOW EYE NUT 1/2"	1035245
04	3	EA.	EYE, BOW/SKI HEAD CHR.	1033059
05	1	EA.	BOLT, EYE #1/2-13 X 7 5/8"	1025998
06	2	EA.	EYE, LIFTING 1/2"	1033091
07	1	EA.	PUMP, BILGE 500GPH GUARDIAN	977926
08	2	EA.	BOLT, EYE 1/2-13 X 3 5/16"	1025972
09	1	EA.	THRU-HULL,ELB, C-PVC 1/2"FM SLIP X 90°	1037084
10	.5	FT.	PIPE, PVC 1/2"ID X 5/8"OD	1039668
11	1.5	FT.	HOSE, WATER 3/4" WHT	1042092
12	2	EA.	CLAMP, HOSE #10 1/2"-1 1/8" SS .505	263954
13	1	EA.	COVER, BOW LOCKER FIBERGLASS	22E04000
14	1	EA.	HANDLE, FLUSH	1041581
15	4	EA.	SCREW, MACHINE #10-24 X 1/2" POH.	1008432
16	4	EA.	NUT, BBL #10-24 X 1/2" TH.	1040203
17	2	EA.	HINGE, DOOR 1 1/2" X 3"	0995159
18	6	EA.	NUT, BBL #10-24 X 1/2" TH.	1040203
19	6	EA.	SCREW, MACHINE #10-24 X 3/4" POH.	1008440
20	24	EA.	SCREW, TAP #10A X 1" POH.	1008507
21	4	EA.	BUMPER, SELF-ADHESIVE CLEAR	103566
22	1	EA.	COVER, ABS BW140/160DA-99 7.75" POUR	1210756
23	1	EA.	RUBRAIL, PLASTIC CHR FLEX 40'	1020858
24	1	EA.	INSERT, RUBRAIL CHR FLEX 40'	1020817
25	1	EA.	CAP, END RUBBER RAIL PORT BLACK	1037639
26	1	EA.	CAP, END RUBRAIL STRBD BLACK	1037647
27	16	EA.	SCREW, TAPPING #10A X 2 1/2" POH.	1008531
28	100	EA.	SCREW, TAPPING #10A X 1 1/2" PFH.	1009943
29	1	EA.	VENT, CLAMSHELL ROPE LCKR 2"x2"	533430
30	2	EA.	COVER, CLAMP END PROT 1/2"L X .045"X	830968
31	5	EA.	SCREW, TAPPING #8A X 5/8" PTH SC	1010925
32	1	EA.	COVER, ABS BW170MT-97 AFT SUMP BLK	1037571
33	4	EA.	SCREW, TAPPING #10A X 1" POH SC	1008507
34	1	EA.	CAP, ABS BW170MT-98 TRANSOM BLK	1099266
35	1	EA.	LIGHT, BW170MT/CP-97 BOW	1035203
36	2	EA.	SCREW, MACHINE #6-32 X 1" PPH SC	1008671
37	2	EA.	SCREW, MACHINE #5/16-18 X 3 1/2" POH	0707679
38	1	EA.	CHOCK, BOW 17'	1033067
39	1	EA.	PLATE, BW170GD-97BOW LIGHT BACK UP	1023415
40	1	EA.	SHIM, HDPE BW170MT-97 BOW CHOCK	1037019
41	1	EA.	LIGHT, BW130-150-97 STERN 36" X 3/4"	1035237
42	1	EA.	BASE, NAV STERN LIGHT UPR	1033034
43	1	EA.	BASE, NAV STERN LIGHT LWR	1033026
44	4	EA.	SCREW, TAPPING #10A X 1" POH SC	1008507
45	1	EA.	VENT, CLAMSHELL ROPE LCKR 1 5/8" X 1"	0126870
46	43	EA.	SCREW, TAPPING #8A X 5/8" PTH SC	1010925
47	1	EA.	RAIL, SIDE BW170MT-97 PORT	1012467
48	1	EA.	RAIL, SIDE BW170MT-97 STRBD	1012509
49	62	EA.	SCREW, MACHINE #1/4-20 X 1" PPH SC	1008580
50				
51	1	EA.	RAIL, BOW BW170MT-97 1PC	1011931
52	1	PR.	CLIP, POLE STRG BLACK- MAST LIGHT	0590646
53	18	EA.	SCREW, TAPPING #10A X 1" PTH SC	1008739
54	1	EA.	COOLER, 720 QT WHITE	1016427
55	2	EA.	HOOK, PLAS COOLER 1/8" WHITE	1043181
56	1	EA.	CLEAT ASSY, HDPE BW-98 COOLER 72QT	1068139
57	1	EA.	CLEAT ASSY, HDPE BW-98 COOLER 72QT	1068121
58	1	EA.	CUSH, BW-97 COOLER SEAT 72QT WHT/GR	1007350
59	17	EA.	SNAP STUD, W/#8 X 3/8" PH BR/NI/SS	0203786
60	1	EA.	STERN SEAT	1331446
61	2	EA.	PLATE, STERN SEAT SUPPORT LEG	1023456
62	4	EA.	KNOB, LOCKING, 3/8-16 x 3/4" SS	1027127
63	12	EA.	SCREW, MACHINE 1/4-20 x 1" PFH	1009950
64	1	EA.	PLATFORM, HDPE SWIM SEAFOAM	1486836
65	22	EA.	SCREW, TAPPING #14A X 1 1/2" PPH	1008697
66	1	EA.	CUSH, BW170MT-97 BOW WHT/GRY	1008465
67	1	EA.	CONSOLE ASSEMBLY	18H73903
68	8	EA.	SCREW, TAPPING #10A X 1.5" POH SC	1008515
69	2	EA.	TRIM, EDGE BLACK CONSOLE BW170MT-97	1020940
70	8	EA.	SCREW, TAPPING #14A X 1.5" PFH SC	1008382
71	8	EA.	WASHER, FENDER 13/64"X 1" SS	1008846
72	1	EA.	EYE, STRAP FLAT 1.5"X 3/8" SS	1041433
73	1	EA.	INSERT, ABS HAWSE PIPE 2" BLK	1043165
74	2	EA.	RUBBER PAD, FUEL TANK 6-GAL GRY	1030055
75	1	EA.	REVERSIBLE PILOT SEAT ASSEMBLY	18H73904
76	2	EA.	SCREW, TAPPING #8A X 5/8" PPH SC	1010677
77	1	EA.	COVER, ABS BW TERM BLOCK BLK	1001528
78	4	EA.	SCREW, TAPPING #14A X 1.5" PTH SC	1010909
79	1	EA.	BUSS BAR, TERM BLOCK DC 2POST 90AMP	1043603
80	1	EA.	LADDER, SWIM 2-STEP TELESCOPE	935577
81	4	EA.	THRU-HULL, PVC PRESS FIT	1042084
82	4	EA.	NUT, PVC RETAINING THRU-HULL	1042068
83	2	EA.	PLUG, BRASS 1" DRAIN TURN-TITE	0133371