

FIXTURE #21-XX SHALL BE USED FOR ALL OPENINGS IN CONSOLE.

NOTE:  
LIGHT NOT INSTALLED  
W/ T-TOP OPTIONS  
100-70519 OR  
100-70521.  
(IT GETS REPLACED  
BY LIGHT #1122563).

13 OPT. 020 79999  
59 STD.  
60 OPT 100-70030

24, 2 PLCS.

44 TYP.

"UP" WHEN INSTALLED,  
INSIDE CONSOLE, BELOW  
CLOSEOUT CATCH

(INSTALLED ON UNDERSIDE)  
FOR DRINKHOLDER DRAIN TUBES

INSTALLED IN TWO LOCATIONS,  
INSIDE CONSOLE AT POSITION  
SHOWN. TOP BUSS USED  
FOR POSITIVE (+) CONNECTIONS  
AND THE BOTTOM FOR NEG. (-).

ATTACH. TO CONSOLE  
@ LATCH HEIGHT

UNLESS OTHERWISE SPECIFIED:  
DIMENSIONS ARE IN INCHES  
TOLERANCES  
DECIMALS ANGULAR  
± .X ± X  
± .XX ± .X  
DO NOT SCALE DRAWING

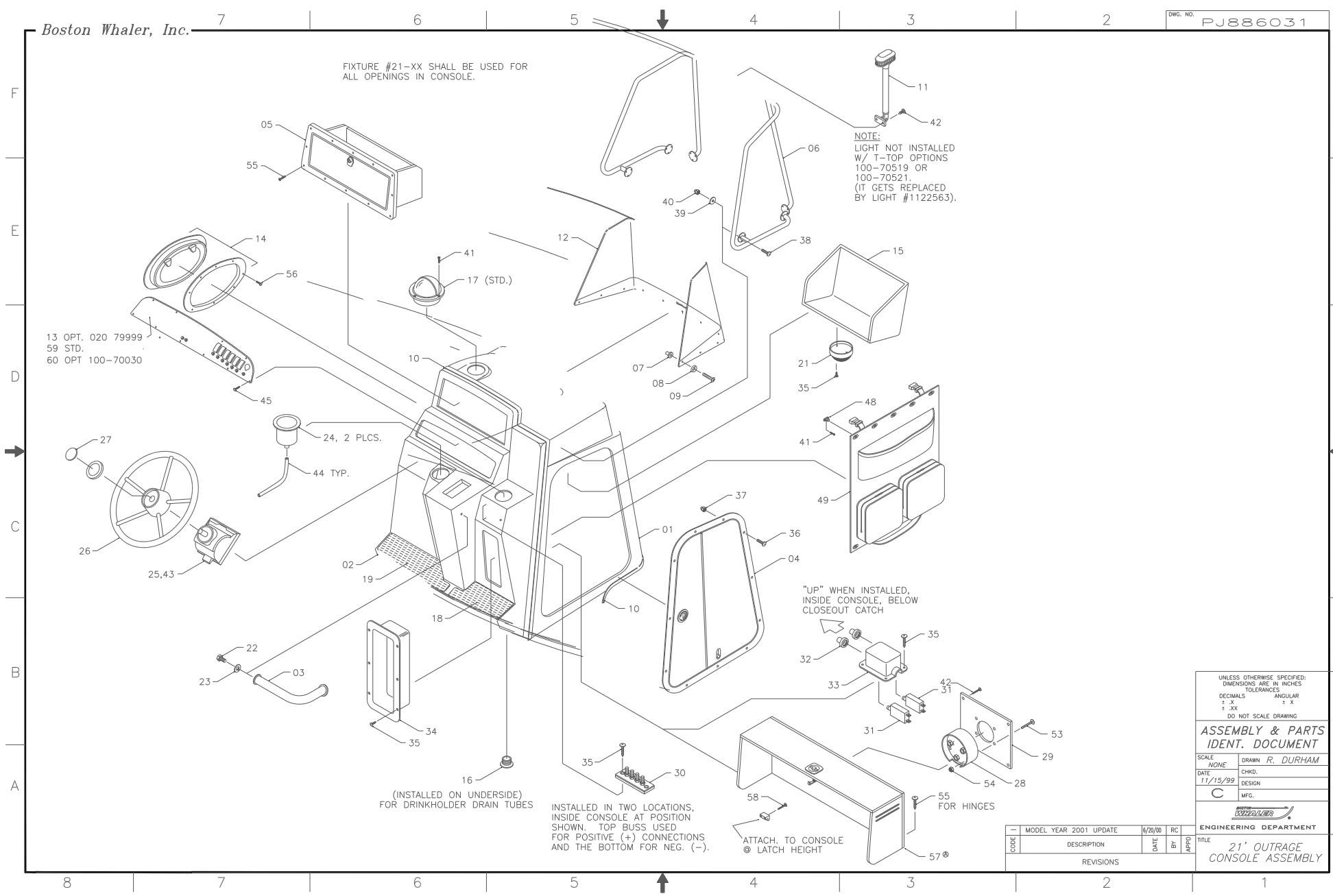
**ASSEMBLY & PARTS  
IDENT. DOCUMENT**

SCALE: NONE DRAWN: R. DURHAM  
DATE: 11/15/99 CHKD.:  
DESIGN:  
C MFG.

ENGINEERING DEPARTMENT

TITLE: 21' OUTRAGE  
CONSOLE ASSEMBLY

CODE	DESCRIPTION	DATE	BY	APPD
---	MODEL YEAR 2001 UPDATE	6/20/00	RC	
REVISIONS				



## MODEL YEAR 2001 PARTS LIST

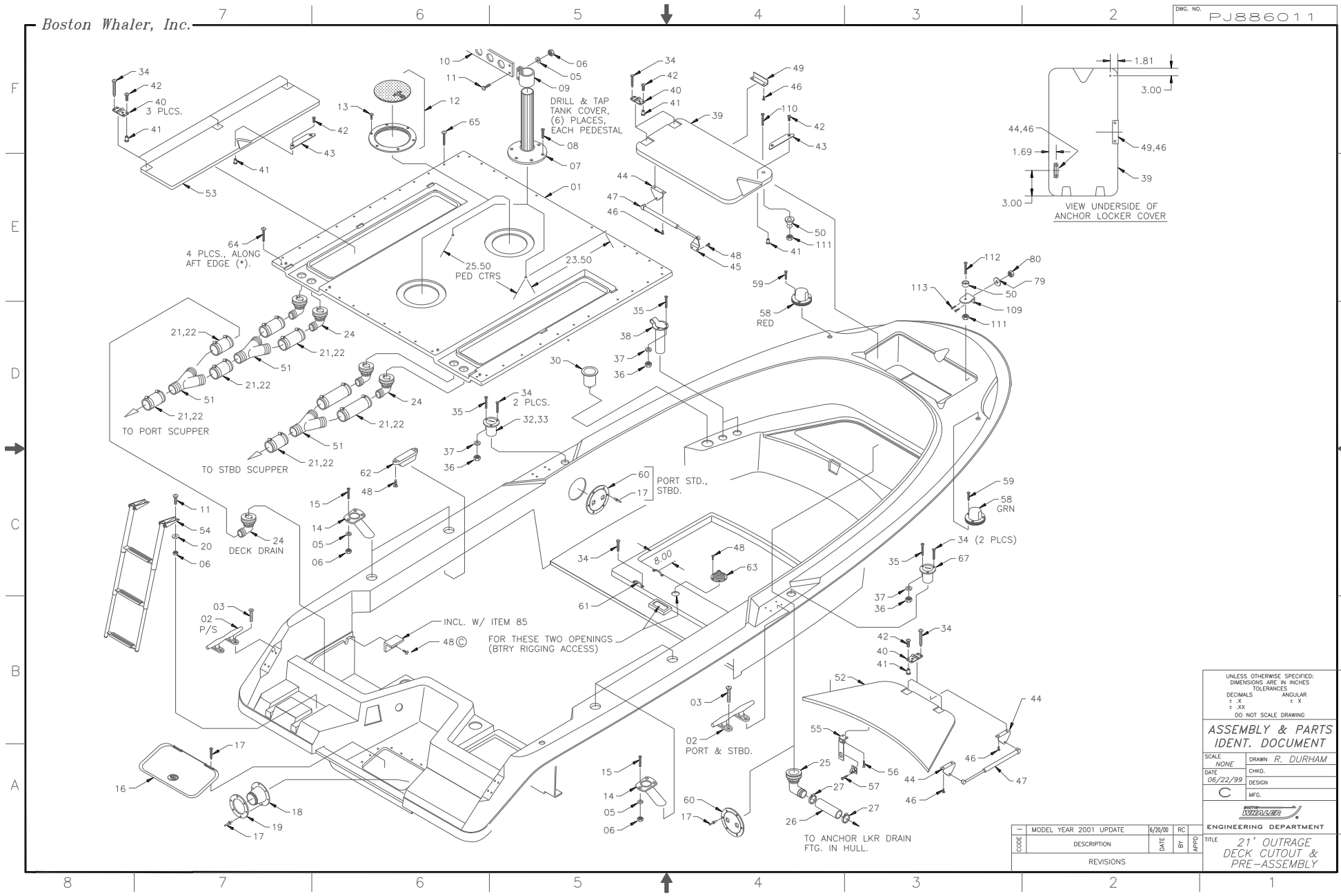
BOAT MODEL: 21' OUTRAGE  
DOCUMENT CONTROL NO: PJB86032

ITEM	QTY.	U/M	DESCRIPTION	B.W.I. NO.
01	1	EA.	FIBERGLASS PART, CONSOLE FWD SECTION	1071315
02	1	EA.	FIBERGLASS PART, CONSOLE AFT SECTION	1071323
03	1	EA.	RAIL, GRAB BW2300R CONSOLE	1071406
04	1	EA.	DOOR, HDPE CONSOLE STBD BIFOLD	1062686
05	1	EA.	BOX, HDPE ELECTRONICS W/DOOR	1062538
06	1	EA.	RAIL, GRAB BW2300R-98 CNSL W/S	1071414
07	8	EA.	NUT, WELL 10-32 LONG	1037050
08	8	EA.	WASHER, FINISH #10 SS	0896258
09	8	EA.	SCREW, MACHINE #10-32 x 1.25" PFH	1010107
10	37	FT.	MOLDING, VINYL "L" OFF WHT W/ADH	1020924
11	1	EA.	LIGHT, NAV MASTHD COMBO HRZ MT	1089986
12	1	EA.	WINDSHIELD, CONSOLE SMOKE PLEX	1071455
13	1	EA.	PANEL, BLANK BW2100R-01 INST	1452440
14	1	EA.	PORTLIGHT, ELLIPSE 6" x 16" WHT W/TR	1244409
15	1	EA.	CUSH, CLOSEOUT CNSL ELECT BOX WHT	1091818
16	1	EA.	DRAIN, 1" IMPACT W/O BARB BLK	1041953
17	1	EA.	COMPASS, FLUSH MT HELMSMAN BLK	0141788
18	1	EA.	RUBBER PAD, CNSL STARBOARD TREAD	1071422
19	1	EA.	RUBBER PAD, CNSL PORT TREAD	1071430
20	1	EA.	DECAL, BW SAILFISH FIRE RED	0998799
		EA.	DECAL, BW SAILFISH DK BLUE	0998773
21	1	EA.	LIGHT, DOME EXTERIOR 4" WHT.	0996488
22	2	EA.	SCREW, CAP 5/16-18 x 3/4" HEX HD	0153353
23	2	EA.	WASHER, LOCK/SPLIT 5/16" SS	0153692
24	2	EA.	DRINKHOLDER, PLAS W/DRAIN XLG SZ BLK	1186329
25	1	EA.	STEERING, HELM PUMP SEA STAR 1 TILT	0317032
26	1	EA.	STEERING WHEEL, 15" DIA. SS 25DEG	1020197
27	1	EA.	EMBLEM, BW STEERING WHEEL CAP	1021054
28	1	EA.	SWITCH, BATTERY ON/OFF W/O LOCK	0162701
29	1	EA.	PANEL, BATT SWITCH SGL	1035450
30	2	EA.	BUSS BAR, BONDING SYSTEM	1031798
31	2	EA.	BRKR, MANUAL RESET 5A	0670497
32	2	EA.	BOOT, RESET BRKR CLEAR	1066547
33	1	EA.	BOX, ABS BW-97 HARNESS	1037530
34	1	EA.	BOX, ABS FIRE EXT LONG WHT	1037480
35	16	EA.	SCREW, TAPPING #8A x 5/8" PTH	1010925
36	10	EA.	SCREW, MACHINE #8-32 x 1" PTH	1008713
37	10	EA.	NUT, LOCK #8-32 SC	1009927
38	18	EA.	SCREW, MACHINE 1/4-20 x 1" PPH	1008580
39	18	EA.	WASHER, FENDER 1/4 x 1.25" SS	0189365
40	18	EA.	NUT, ACORN 1/4-20 SS	0152538
41	23	EA.	SCREW, TAPPING #6A x 1/2" PFH	1010362
42	6	EA.	SCREW, MACHINE #10 x .75" PPH	1172030
43	1	EA.	STEERING. OB HOSE KIT 20' W/2 HOSES	0996942
44	6	FT.	HOSE, PVC CLEAR DRAIN 7/16"	1041490
45	11	EA.	SCREW, TAPPING #6A x 1/2" PTH	1008796
* 46	7	EA.	SNAP CAP, PLAS CLEAR WASHER	1246727
* 47	7	EA.	SNAP CAP, PLAS WHT	1031301
48	10	EA.	LATCH, CURTAIN QTR TURN FLANGED	0996587
49	1	EA.	CUSH, BW2600R-98 CNSL STRG POUCH WHT	1063437
* 50	1	EA.	CUSH, BW2300R-98 HEADLINER CNSL TOP	1089945
* 51	1	EA.	CUSH, BW2300R-98 HEADLINER CNSL PORT	1089952
* 52	1	EA.	CUSH, BW2300R-98 HEADLINER CNSL STBD	1089960
53	4	EA.	SCREW, MACHINE #10-24 x 1.75" PPH	1008648
54	4	EA.	NUT, HEX NYLON LOCK #10-24 SC	1007772
55	18	EA.	SCREW, TAPPING #10A x 1" POH	1008507
56	8	EA.	SCREW, TAPPING #8A x 3/4" PPH	1010651
57	1	EA.	COVER, HDPE BATTERY SEAFOAM	1334465
58	2	EA.	SCREW, TAPPING #10A x 1.5" PTH	1008747
59	1	EA.	MERC. PRERIG	1452531
60	1	EA.	DIGITAL MERC PRERIG	1452614

\* NOT SHOWN

Boston Whaler, Inc.

DWG. NO. PJ886011



MODEL YEAR	DATE	RC
2001 UPDATE	6/20/00	RC
DESCRIPTION	DATE	BY
REVISIONS		

UNLESS OTHERWISE SPECIFIED:  
DIMENSIONS ARE IN INCHES  
TOLERANCES

DECIMALS	ANGULAR
± .005	± .030

DO NOT SCALE DRAWING

**ASSEMBLY & PARTS IDENT. DOCUMENT**

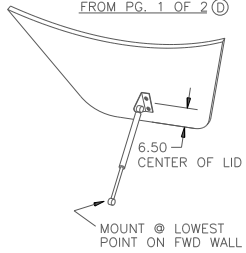
SCALE: NONE	DRAWN: R. DURHAM
DATE: 06/22/99	CHKD:
C	DESIGN:
	MFG:

**EXPRESS**

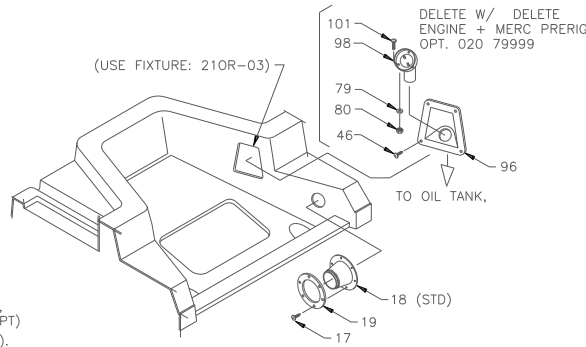
ENGINEERING DEPARTMENT

TITLE: 21' OUTRAGE DECK CUTOUT & PRE-ASSEMBLY

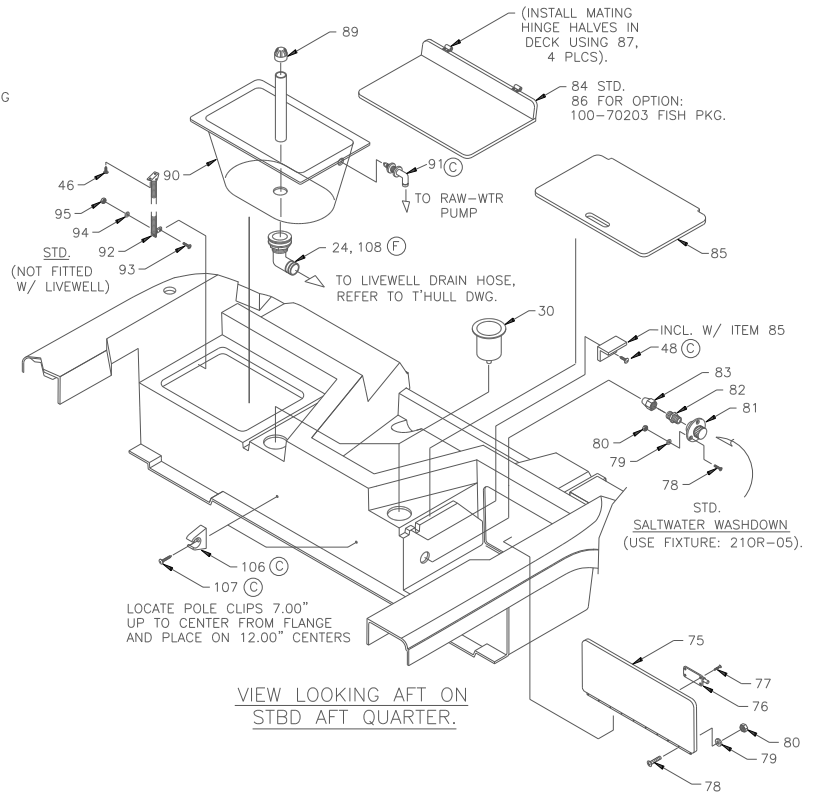
DETAIL OF FWD STORAGE LID  
FROM PG. 1 OF 2



(USE FIXTURE: 210R-03)



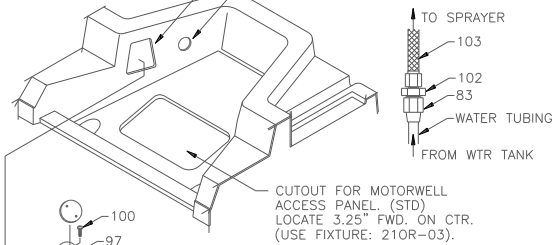
VIEW ON MOTORWELL,  
LOOKING STBD.



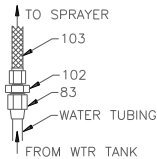
VIEW LOOKING AFT ON  
STBD AFT QUARTER.

CUTOUT FOR FRESHWATER FILL,  
OPT. (USE FIXTURE: 210R-03).  
FRESHWATER SHOWER (OPT.  
(OPT: 100-70313)

2-3/8" DIA. HOLE THRU,  
FRESHWATER SHOWER (OPT)  
(USE FIXTURE: 210R-03).



VIEW ON MOTORWELL,  
LOOKING PORT

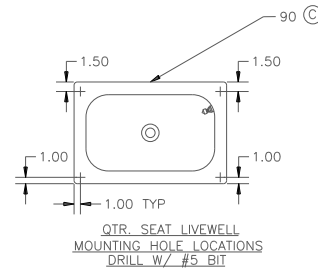
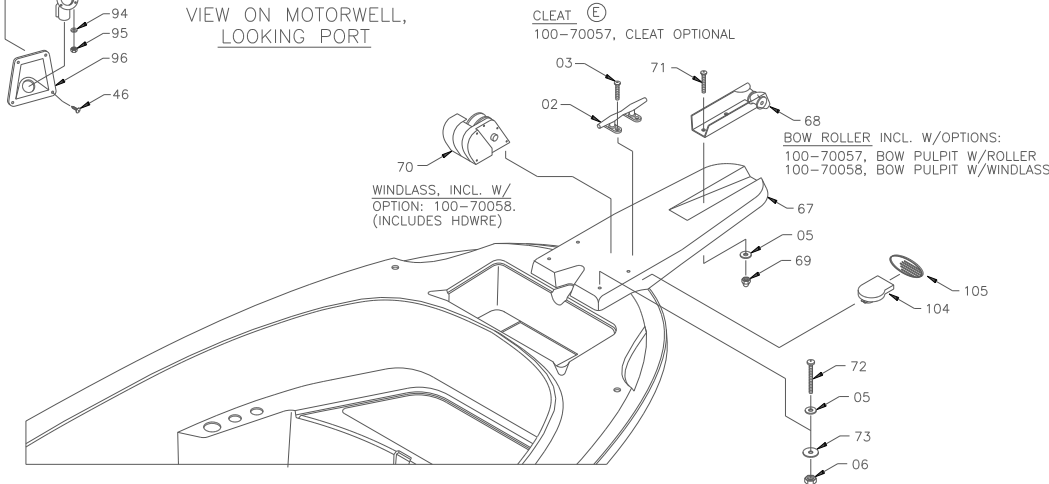


CUTOUT FOR MOTORWELL  
ACCESS PANEL. (STD)  
LOCATE 3.25" FWD. ON CTR.  
(USE FIXTURE: 210R-03).

CLEAT (E)  
100-70057, CLEAT OPTIONAL

WINDLASS, INCL. W/  
OPTION: 100-70058.  
(INCLUDES HDWRE)

BOW ROLLER INCL. W/OPTIONS:  
100-70057, BOW PULPIT W/ROLLER  
100-70058, BOW PULPIT W/WINDLASS



UNLESS OTHERWISE SPECIFIED:  
DIMENSIONS ARE IN INCHES  
TOLERANCES

DECIMALS	ANGULAR
± .X	± X
± .XX	± .XX

DO NOT SCALE DRAWING

**ASSEMBLY & PARTS  
IDENT. DOCUMENT**

SCALE: NONE	DRAWN: R. DURHAM
DATE: 06/22/99	CHKD.:
	DESIGN:
	MFG.:

ENGINEERING DEPARTMENT

TITLE: 21' OUTRAGE DECK CUTOUT & PRE-ASSEMBLY

MODEL YEAR	2001 UPDATE	6/20/00	RC
CODE	DESCRIPTION	DATE	BY
REVISIONS			

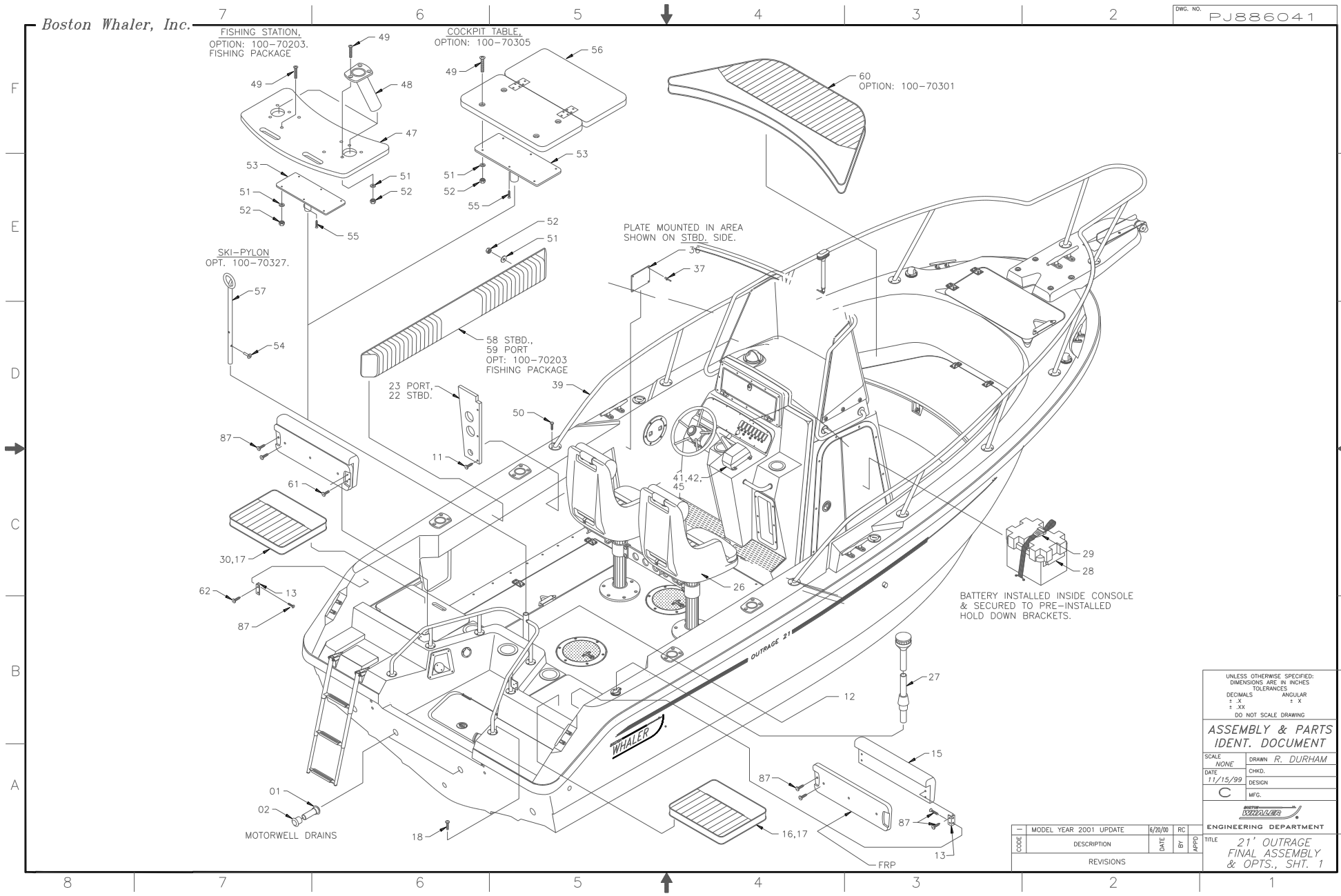
## MODEL YEAR 2001 PARTS LIST

BOAT MODEL: 21' OUTRAGE  
DOCUMENT CONTROL NO: PUB86013

ITEM	QTY	U/M	DESCRIPTION	B.W. NO.
01	1	EA.	FIBERGLASS PART, FUEL TANK COVER	22J87900
02	7	EA.	CLEAT 8" SS HVY DUTY HOLLOW BASE	1027010
03	24	EA.	SCREW, MACHINE 1/4-20 x 1" PFH	1009950
04		EA.		
05	24	EA.	WASHER, FLAT 1/4" SS	0152916
06	24	EA.	NUT, LOCK 1/4-20 STD PATT	1009786
07	2	EA.	PEDESTAL, ALUM 22" FLUTED W/O SPIDER	1027192
08	12	EA.	SCREW, MACHINE 1/4-20 x 1.75" PFH	1007889
09	2	EA.	DOOR HDWR, SLEEVE CLAMP-ON 2-7/8"	1020304
10	1	EA.	BRACE, BW210OR-97 PED SEAT ALUM.	1030261
11	12	EA.	SCREW, MACHINE 1/4-20 x 1.50" PPH	1008598
12	2	EA.	ACCESS PLATE, POLYPROP TWIST-OUT 8"	1068659
13	12	EA.	SCREW, TAPPING #10A x 3/4" PTH	1008762
14	4	EA.	HOLDER, BW-97 ROD FLUSH MNT W/LOGO	1035286
15	12	EA.	SCREW, MACHINE #1/4-20 X 1.75" POH	133744
16	1	EA.	HATCH, ACCESS 10.75" X 15" SURE SEAL	1474659
17	38	EA.	RIVET, POP/BLIND 3/16" x 5/8" ALUM.	0189415
18	1	EA.	BOOT, CABLE 3" BLK	1043223
19	1	EA.	BOOT, CABLE RING 3" BLK	1043330
20	4	EA.	WASHER, FENDER 1/4" x 1.25" SS	0189365
21	19	FT.	HOSE, SANI/SMOOTH WALL 1.5"	0123844
22	20	EA.	CLAMP, HOSE #24	0256693
23				
24	5	EA.	DRAIN, ELBOW 90DEG 1.5" W/FLANGE NUT	1041961
25	1	EA.	DRAIN, HATCH 3/4" BARB W/NUT 90DEG.	1058841
26	10	FT.	HOSE, WATER 3/4" BLK REINF PVC	1042100
27	2	EA.	CLAMP, HOSE #10	0263954
28				
29				
30	4	EA.	DRINKHOLDER, PLAS W/DRAIN XLG BLK	1186329
31				
32	1	EA.	DECK PLATE, GAS 1.5" SS	0859017
33	1	EA.	KEY, DECK PLATE CAP	0522599
34	24	EA.	SCREW, TAPPING #10A x 1" POH	1008507
35	16	EA.	SCREW, MACHINE #10-24 x 1.75" POH	0131555
36	16	EA.	HEX-NUT, NYLON LOCK #10-24	1007772
37	14	EA.	WASHER, FLAT #10 SS	0152918
38	4	EA.	ROD-HOLDER, FLUSH MNT CHR/BRS 90DEG.	1047497
39	1	EA.	FIBERGLASS PART, ANCHOR LOCKER COVER	22G42600
40	10	EA.	HINGE, DOOR SS 1.5" x 3"	0995159
41	4	EA.	NUT, BBL #10-24 x 3/8" PFH	1040187
42	6	EA.	SCREW, MACHINE #10-24 x 5/8" POH	1010545
43	3	EA.	HANDLE, SS HATCH	1014455
44	1	EA.	BRACKET, SS LIFT CYL 90 DEG.	0817676
45	1	EA.	BRACKET, SS LIFT CYL OFFSET W/STUD	0995084
46	18	EA.	SCREW, TAPPING #8A x 1/2" PTH	1008812
47	2	EA.	CYLINDER, GAS 20PSI 20" EXT x 12" COMP.	1384940
48	12	EA.	SCREW, TAPPING #8A x 5/8" PTH	1010925
49	1	EA.	FRAME, ANCHOR LOCKER EDGE	1034552
50	1	EA.	STOP, DOOR HOLDER RBR. BUE	1142348
51	3	EA.	COUPLING, PLAS "Y" 1.5"	1041458
52	1	EA.	FIBERGLASS PART, BOW STORAGE COVER	22J87800
53	2	EA.	FIBERGLASS PART, FISHWELL COVER	22J88000
54	1	EA.	LADDER, SWIM 3-STEP TELESCOPING	1034859
55	1	EA.	HASP, SWIVEL FLUSH MNT SS	0995134
56	2	EA.	SCREW, TAPPING #6A x 1/2" PFH	1010362
57	2	EA.	SCREW, TAPPING #6A x 3/4" POH	1008564
58	1	PR.	LIGHT, NAV SURF HORIZ MNT CHR	0996496
59	6	EA.	SCREW, TAPPING #4A x 1" PFH	1010321
60	3	EA.	ACCESS PLATE, POLYPROP TWIST OUT 5"	1016153
61	2	EA.	BRACKET, BATT HOLDDOWN 1.25"	1042837
62	2	EA.	LIGHT, COURTESY SURF MNT CLEAR/GROUND	1062355
63	1	EA.	GROMMET, OB HARNESS 3" BLACK	0580720
64	X	EA.	SCREW, TAPPING #10A x 2" PTH	1008754
65	4	EA.	SCREW, TAPPING #10A x 1.5" PTH	1008747
66	1	EA.	DECK PLATE, WASTE SS	0991767
67	1	EA.	FIBERGLASS PART, BOW PULPIT	22J67600
68	1	EA.	ROLLER, ANCHOR BW210/230CQ-97 BOW	1034875
69	4	EA.	NUT, ACORN 1/4-20 SS	0152538
70	1	EA.	WINDLASS, HORIZON 500	1041946
71	4	EA.	SCREW, MACHINE 1/4-20 x 3" PFH	0153189
72	4	EA.	SCREW, MACHINE 1/4-20 x 3" PPH	1008622
73	4	EA.	WASHER, FENDER 1/4-20 1.25"	0189365
74	1	EA.	ROPE KIT, ANCHOR LINE 1/2" x 200'	1070721
75	1	EA.	PANEL, HDPE CLOSEOUT QTR SEAT	1067255
76	1	EA.	BOLT, BARREL SS SPRING LOADED	1206143
77	4	EA.	SCREW, TAPPING #8A x 1/2" POH	1010578
78	9	EA.	SCREW, MACHINE #8-32 x 1" POH	1008481
79	13	EA.	WASHER, FLAT #8 SS	0152900
80	13	EA.	NUT, LOCK #8-32 SC	1009927
81	1	EA.	FITTING, FRESH WATER OUTLET	0996512
82	1	EA.	COUPLING, ACETAL 1/2"MPT x 1/2"NPT	1021005
83	2	EA.	NUT/RING/CONE, ACETAL 1/2" x 3/8"	0158501
84	1	EA.	BASE, HDPE QTR SEAT STBD	1283829
85	1	EA.	BASE, HDPE QTR SEAT PORT	1057397
86	1	EA.	COVER, HDPE LIVWELL STBD	1204924
87	4	EA.	SCREW, TAPPING #8A x 3/4" POH	0150797
88				
89	1	EA.	SCREEN, BAITWELL FOR 1-1.5" STANDPIPE	0660415
90	1	EA.	FIBERGLASS PART, LIVWELL DROP-IN	22J88100
91	1	EA.	PUMP, SPRAYHEAD FOR LIVWELL AERATOR	0858944
92	1	EA.	HOLDER, HDPE HATCH 8.5" x 7.16" DIA.	10421140
93	2	EA.	SCREW, MACHINE #6-32 x 1" PPH	1008671
94	6	EA.	WASHER, FLAT #6 SS	0153858
95	6	EA.	NUT, LOCK #6-32 SC	1009810
96	2	EA.	PANEL, RECESSED FUEL FILL	1057561
97	1	EA.	DECK PLATE, WATER CHR W/VENT 45DEG.	1057454
98	1	EA.	ACC PART, MERC OIL FILL KIT	0733105
99				
100	4	EA.	SCREW, MACHINE #6-32 x 3/4" PTH	1130038
101	4	EA.	SCREW, MACHINE #8-32 x 3/4" PTH	1010735
102	1	EA.	ADAPTER, BRASS 1/2"MPT x 3/8"BSP	1040088
103	1	EA.	WASHDOWN/SPRAYER, VERT MNT WHT	1058585
104	1	EA.	HORN, CONCEALED COMPACT ELEC DROP-IN	875476
105	1	EA.	HORN GRILL, SNAP-IN WHT PLAS FOR HORN	875468
106	2	EA.	CLIP, POLE STRG BLK - MAST LIGHT	590646
107	4	EA.	SCREW, TAPPING #10A X 1" PTH SC	1008739
108	1	EA.	DRAIN, STANDPIPE ONLY 1.5"X 16.5"	1266915
109	1	EA.	BRACKET DOOR STOP	1464080
110	2	EA.	SCREW, MACHINE #10-24X1.75" PTH	1341973
111	2	EA.	NUT, HEX NYLON LOCK #10-24	1007772
112	1	EA.	SCREW, MACHINE #10-24X .75" PPH	1026038
113	2	EA.	SCREW, MACHINE #8-32 x 1" PTH	1008713

Boston Whaler, Inc.

DWG. NO. PJ886041



UNLESS OTHERWISE SPECIFIED:  
DIMENSIONS ARE IN INCHES  
TOLERANCES

DECIMALS	ANGULAR
± .X	± X
± .XX	

DO NOT SCALE DRAWING

**ASSEMBLY & PARTS IDENT. DOCUMENT**

SCALE	NONE	DRAWN	R. DURHAM
DATE	11/15/99	CHKD.	
		DESIGN	
		MFG.	

**ENGINEERING DEPARTMENT**

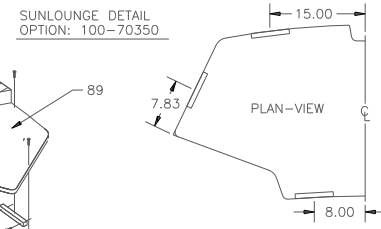
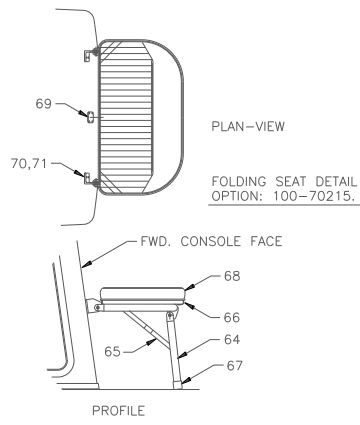
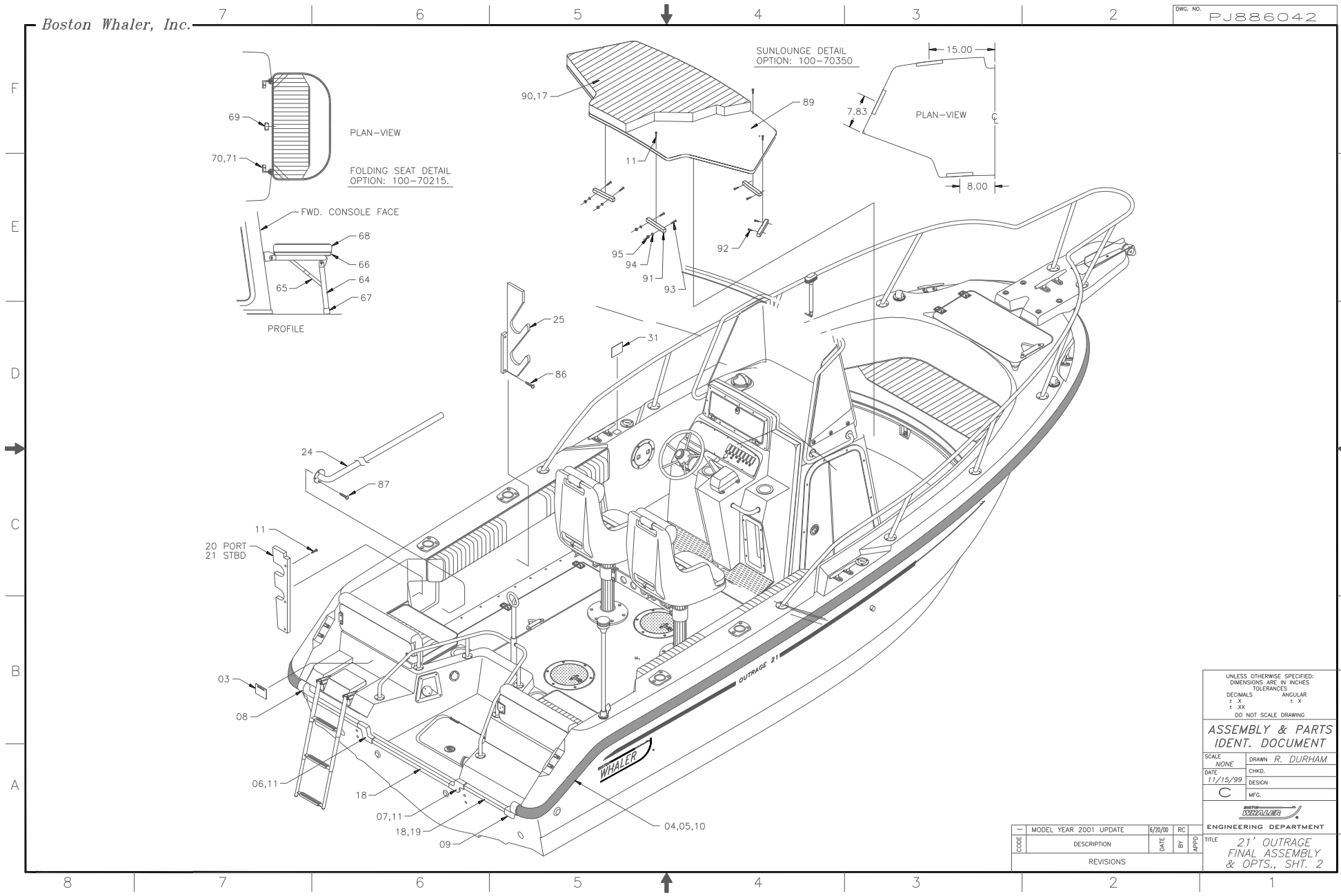
MODEL YEAR	2001 UPDATE	6/20/00	RC
CODE	DESCRIPTION	DATE	BY
	REVISIONS		APPD

TITLE  
21' OUTRAGE  
FINAL ASSEMBLY  
& OPTS., SHT. 1

DWG. NO. PJ886041

Boston Whaler, Inc.

DWG. NO. PJ886042



UNLESS OTHERWISE SPECIFIED:  
DIMENSIONS ARE IN INCHES  
TOLERANCES

DECIMALS	ANGULAR
± .X	± X
± .XX	

DO NOT SCALE DRAWING

**ASSEMBLY & PARTS IDENT. DOCUMENT**

SCALE	NONE	DRAWN	R. DURHAM
DATE	11/15/99	CHKD.	
		DESIGN	
		MFG.	

ENGINEERING DEPARTMENT

TITLE: 21' OUTRAGE FINAL ASSEMBLY & OPTS., SH. 2

CODE	DESCRIPTION	DATE	BY	APPD
	MODEL YEAR 2001 UPDATE	6/20/00	RC	
	REVISIONS			

## MODEL YEAR 2001 PARTS LIST

BOAT MODEL: 21' OUTRAGE  
DOCUMENT CONTROL NO: P1886043

ITEM	QTY.	U/M	DESCRIPTION	S.W. NO.
01	2	EA.	THRU-HULL, PVC PRESS FIT	1042084
02	2	EA.	NUT, PVC RETAINING THRU-HULL	1042068
03	1	EA.	LABEL, WARNING SWIM PLATFORM	1016948
04	1	EA.	RUBRAIL, PLASTIC CHAR 54'	1020882
05	1	EA.	INSERT, RUBRAIL CHAR FLEX 54'	1020841
06	1	EA.	CAP, END MOTORWELL PORT	1057538
07	1	EA.	CAP, END MOTORWELL STBD	1068758
08	1	EA.	CAP, RUBRAIL END PORT	1057553
09	1	EA.	CAP, RUBRAIL END STBD	1057546
10	135	EA.	SCREW, TAPPING #10A x 1.5" PFH	1009943
11	12	EA.	SCREW, TAPPING #10A x 1.5" PTH	1008747
12	1	EA.	RAIL, GRAB MOTORWELL	1469998
13	1	EA.	BRACE, SS BW210CC-98 B/R CUSH STBD	1057439
14	1	EA.	BRACE, SS BW210CC-98 B/R CUSH PORT	1057447
15	2	EA.	CUSH, BW210CC-98 B/R QTR SEAT WHT/GRY	1463322
16	1	EA.	CUSH, BW210CC-98 QTR SEAT STBD WHT/GRY	1058494
17	12	EA.	SNAP STUD W/ #8 x 3/8" PH	0203786
18	7	FT.	TRIM, VINYL RIGID 1" x 1.5" BLK	1040948
19	6	EA.	SCREW, TAPPING #8A x 5/8" PTH	1010925
20	1	EA.	PANEL, HDPE CLOSEOUT PORT	1179332
21	1	EA.	PANEL, HDPE CLOSEOUT STBD	1179340
22	1	EA.	PANEL, HDPE CLOSEOUT STBD	1179381
23	1	EA.	PANEL, HDPE CLOSEOUT PORT	1179399
24	2	EA.	RAIL, GRAB TOE	1124742
25	2	EA.	ROD-HOLDER HDPE UNDER GUNL	1068444
26	2	EA.	SEAT, HELM w/COMP CUSH SET	1431477
27	1	EA.	LIGHT, BW STERN PLUG-IN 18"	1035229
28	1	EA.	HOLDER, BATTERY GR-27 POWER GUARD	0995068
29	1	EA.	STRAP, 1" x 3' HOLDDOWN BLK	1041128
30	1	EA.	CUSH, QTR SEAT PORT WHT/GRY	1058502
31	1	EA.	PLATE, WARNING FUEL HAZARD	0995704
32	1	EA.	LABEL, BW FUEL TANK NO-DRILL	1016443
33	1	EA.	LABEL, NO-SMOKING FUEL VENT	1016484
34	1	EA.	LABEL, BW WARNING FUEL GAUGE READ	1016534
35	1	EA.	LABEL, BW VENT HOSE NO-DRILL	1016898
36	1	EA.	PLATE, NMMMA 99-BW210OR	1185859
37	4	EA.	RIVET, POP/BLIND 1/8" x 3/8" ALUM.	0192947
38	6	EA.	SCREW, TAPPING #8A x 1" POH	0150805
39	1	EA.	RAIL, BOW BW210OR-99 SS	1184555
40	1	EA.	RAIL, BOW BW210OR-99 W/PULPIT SS	1184563
41	1	EA.	STEERING, HYD CYLINDER O/B PIVOT MNT	1095728
42	1	EA.	CONTROL, CONSL MT W/O HARNESS	0278200
43	1	EA.	HARNESS, IGN CHOKE ASSY, 20 FT. (MERC)	1032788
44	1	EA.	ACC PART MERC SWITCH (SAFETY ASSY)	0882605
45	2	EA.	CABLE CTRL T/S MERCURY 18'	0995886
46	1	EA.	FISHING STATION HDPE BW-98 RAIL MNT	1068485
47	1	EA.	HOLDER, BW-97 ROD FLUSH MNT W/LOGO	1035286
48	2	EA.	SCREW, MACHINE 1/4-20 x 1.5" POH	1010438
49	6	EA.	SCREW, TAPPING #14A x 1.5" PPH	1008697
50	24	EA.	WASHER, FLAT 1/4" SS	0152926
51	22	EA.	NUT, LOCK 1/4-20 SC STD PATT	1009786
52	22	EA.	SUPPORT, BW170DA-97 MNT TABLE M/W	1035047
53	1	EA.	PIN, QUICK RELEASE 1.25"	1031426
54	1	EA.	SCREW, TAPPING #10A x 3/4" PTH	1016782
55	1	EA.	TABLE, HDPE BW-98 CKPT RAIL MNT SEAFOAM	1068550
56	1	EA.	SKI TOW PYLON SS 28"	1047869
57	1	EA.	BOLSTER, BW210OR-99 AFT STBD WHT/GRY	1179290
58	1	EA.	BOLSTER, BW210OR-99 AFT PORT WHT/GRY	1179316
59	1	EA.	CUSHION, BW210OR-99 BOW WHT/GRY	1179274
60	1	EA.	SCREW, MACHINE 1/4-20 x 1" PPH	1008580
61	6	EA.	SWITCH, BATTERY ON/OFF W/O LOCK	0162701
62	1	EA.	PANEL, BATTERY SWITCH SGL	1035450
63	1	EA.	FRAME, FOLDING SEAT	1185909
64	1	EA.	BRACE, DOOR/HATCH SUPPORT LOCKING	0221127
65	1	EA.	BASE, HDPE FOLDING SEAT	1196690
66	1	EA.	CAP, VINYL LEG TIP BLK	1246487
67	1	EA.	CUSHION, FOLDING SEAT	1185891
68	4	EA.	RIVET, POP/BLIND 1/8" x 1/2" SS	0192112
69	4	EA.	SCREW, MACHINE 1/4-20 x 1.25" PPH	0151746
70	4	EA.	NUT, ACORN 1/4-20 SS	0152538
71	4	EA.	CANVAS, BIMINI TOP W/BOOT RED	1179282
72	1	EA.	FRAME, T-TOP	1079607
73	1	EA.	CANVAS T-TOP COVER RED	1079623
74	1	EA.	FRAME, TOPGUN T-TOP	1079615
75	1	EA.	CANVAS, T-TOP TOPGUN COVER RED	1079656
76	1	EA.	LIGHT, SGL DOME FLUSH MT SS WHT/RED	1041268
77	1	EA.	FIBERGLASS PART, ELEC BOX T-TOP	1061878
78	1	PR.	CANVAS, T-TOP SIDE CURTAIN	1079680
79	1	PR.	CANVAS, T-TOP VISOR CURTAIN	1140805
80	1	EA.	PLATE, BUILDERS CE 99-BW210OR	1185941
81	1	EA.	FIRE EXT, 2LBS 5BC RATING	0226894
82	1	EA.	TRAILER, ALUM 4600 #	1112499
83	1	EA.	DIAGRAM, WOOD LOCATION	1204859
84	1	EA.	MANUAL, OWNERS	1031236
85	4	EA.	SCREW, TAPPING #10A x 1.5" POH	1008515
86	6	EA.	SCREW, TAPPING #10A x 1" POH	1008739
87	1	EA.	COVER, BATTERY, 210OR-2000	1334465
88	6	EA.	CLEAT, SUN LOUNGE FILLER	1354307
89	6	EA.	SCREW, TAPPING, #14A x 2" PTH	1008770
90	4	EA.	SCREW, MACHINE, 1/4-20 x 2" PPH	1008614
91	4	EA.	NUT, NYLOCK HEX, 1/4-20	1007764
92	4	EA.	WASHER, FENDER, 1/4" x 1.25	189365
93	1	EA.	CUSHION, SUN LOUNGE FILLER	1324763
94	1	EA.	SUN LOUNGE	2296400
95	6	EA.	SCREW, MACH, #10 x .75 PPH	1172030
96	4	EA.	SCREW, MACHINE, #10 x 1.75 PPH	1008648
97	4	EA.	NUT, NYLOCK HEX, #10-24 SC	1007772

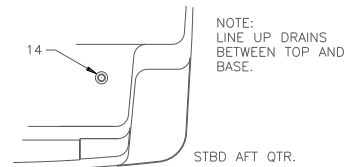
\* NOT SHOWN

OPT 020-79999

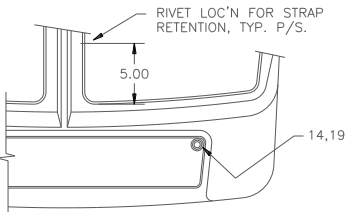
DELETE W/ DELETE ENGINE, MERC PRERIG

+ ENGINE INSTALL

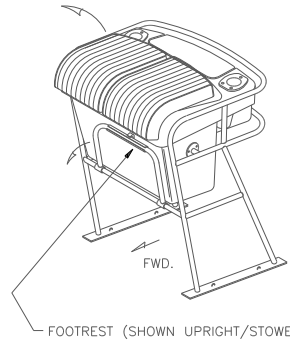
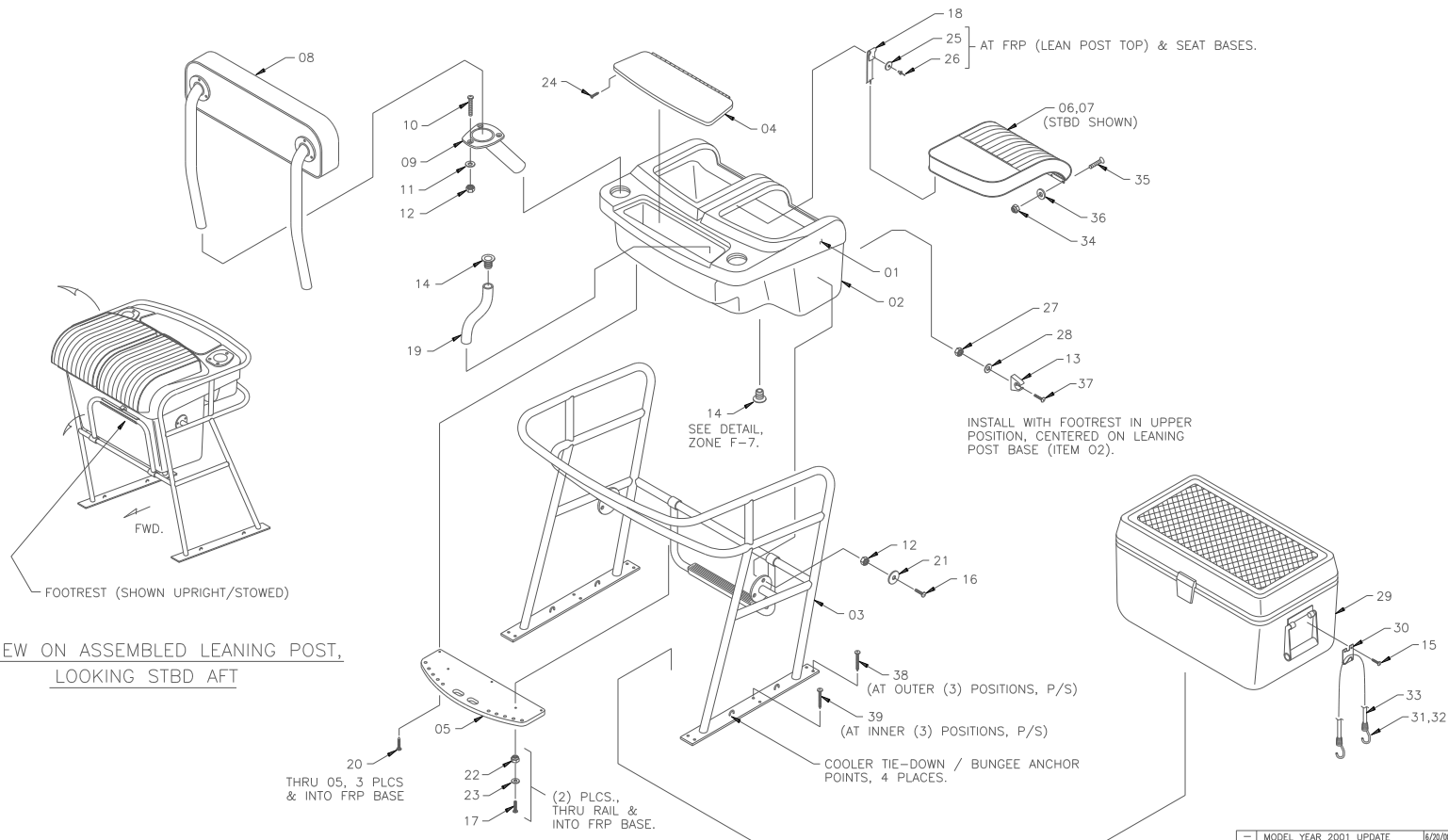




PLAN-VIEW ON LEANING POST BASE.



PLAN-VIEW ON LEANING POST TOP



VIEW ON ASSEMBLED LEANING POST,  
LOOKING STBD AFT

UNLESS OTHERWISE SPECIFIED:  
DIMENSIONS ARE IN INCHES  
TOLERANCES

DECIMALS	ANGULAR
± .X	± X
± .XX	

DO NOT SCALE DRAWING

**ASSEMBLY & PARTS  
IDENT. DOCUMENT**

SCALE	DRAWN
NONE	R. DURHAM
DATE	CHKD.
5/27/99	DESIGN
C	MFG.

ENGINEERING DEPARTMENT

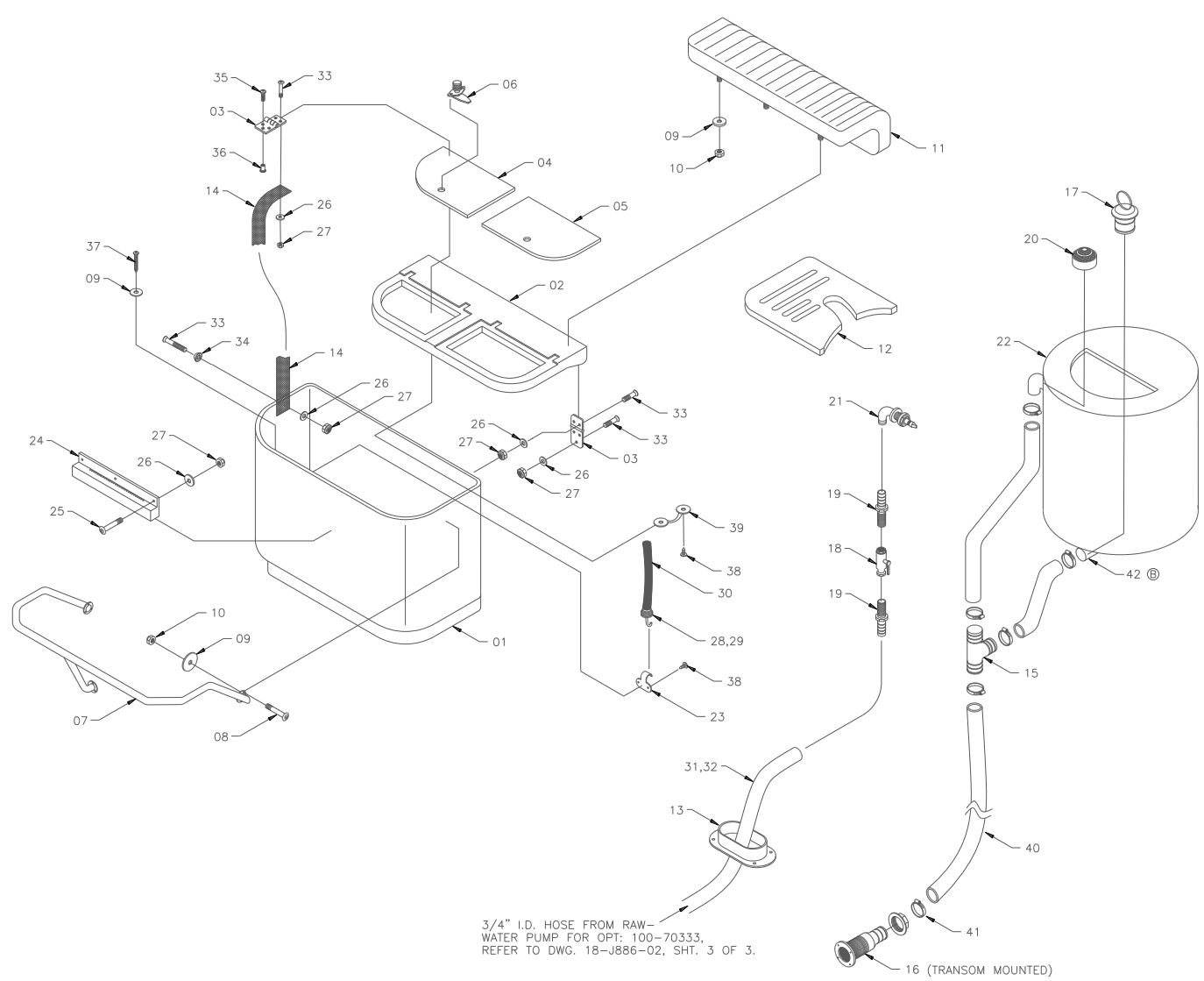
TITLE  
LEANING POST/  
COOLER OPTION  
21' OUTRAGE

CODE	DESCRIPTION	DATE	BY	APPD
	MODEL YEAR 2001 UPDATE	6/20/00	RC	
REVISIONS				

# MODEL YEAR 2001 PARTS LIST

BOAT MODEL: 21' OUTRAGE  
DOCUMENT CONTROL NO: PJ886062

ITEM	QTY.	U/M	DESCRIPTION	B.W.I. NO.
01	1	EA	FIBERGLASS PART, LEANING POST TOP	1118132
02	1	EA	FIBERGLASS PART, LEANING POST BOTTOM	22J99600
03	1	EA	FRAME, LEAN POST GRAB RAIL	1062876
04	1	EA	LID, HDPE LEAN POST SEAFOAM	1062728
05	1	EA	HOLDER, HDPE LEADER/TOOL	1062702
06	1	EA	CUSHION, LEAN POST STBD WHT/GRY	1063148
07	1	EA	CUSHION, LEAN POST PORT WHT/GRY	1063155
08	1	EA	CUSHION, B/R W/ HARDWARE WHT/GRY	1073956
09	2	EA	HOLDER, ROD FLUSH MT W/BW LOGO	1035286
10	6	EA	SCREW, MACHINE 1/4-20 x 1.50" POH	1010438
11	6	EA	WASHER, FLAT 1/4" SS	0152926
12	12	EA	NUT, HEX NYLON LOCK 1/4-20	1007764
13	1	EA	CLIP, LADDER WHITE	1091578
14	2	EA	DRAIN SLEEVE, FLUSH IMPACT 5/8"	518878
15	4	EA	SCREW, TAPPING #8A x 5/8" PTH	1010925
16	6	EA	SCREW, MACHINE 1/4-20 x 1" PPH	1008580
17	2	EA	SCREW, MACHINE #8-32 x 1.5" PTH SC	1010719
18	3	FT	WEBBING, BW-97 STRAP NYLON 1"	1030105
19	.5	FT	TUBING, WATER LINE 3/8" ID x 1/2" OD	896605
20	3	EA	SCREW, TAPPING #10A x 1" PTH	1008739
21	6	EA	WASHER, FENDER 1/4" x 1.25" SS	0189365
22	2	EA	NUT, LOCK 8-32 SC	1009927
23	6	EA	SCREW, TAPPING #14A x 1.5" PPH SC	1008697
24	12	EA	SCREW, TAPPING #6A x 1/2" PFH	1010362
25	4	EA	WASHER, FENDER 13/64" x 1" SS	1008846
26	4	EA	RIVET, POP/BLIND 3/16" x 5/8" ALUM.	0189415
27	1	EA	NUT, LOCK #6-32 SC	1009810
28	1	EA	WASHER, FLAT #6 SS	0153858
29	1	EA	COOLER, 94QT. WHITE	1016435
30	2	EA	HOOK, PLAS COOLER 1/8" WHT.	1043181
31	8	EA	CORD, SHOCK BUNGEE CLAMP 3/8" DIA.	1020023
32	8	EA	CORD, SHOCK BUNGEE 3/8" SPRING	1020056
33	8	FT	CORD, SHOCK BUNGEE 3/8" BULK BLK	1039528
34	12	EA	NUT, HEX NYLON LOCK #10-24	1007772
35	12	EA	SCREW, MACHINE #10-24 x 7/8" PFH	1010099
36	12	EA	WASHER, FLAT #10 SS	0152918
37	1	EA	SCREW, MACHINE #6-32 x 1" PPH	1008671
38	6	EA	SCREW, TAPPING #14A x 3" PPH	1010628
39	6	EA	SCREW, TAPPING #14A x 1.5" PPH	1008697



3/4" I.D. HOSE FROM RAW-  
 WATER PUMP FOR OPT. 100-70333,  
 REFER TO DWG. 18-J886-02, SHT. 3 OF 3.

UNLESS OTHERWISE SPECIFIED:  
 DIMENSIONS ARE IN INCHES  
 TOLERANCES

DECIMALS	ANGULAR
± .X	± X
± .XX	

DO NOT SCALE DRAWING

**ASSEMBLY & PARTS IDENT. DOCUMENT**

SCALE	NONE	DRAWN	R. DURHAM
DATE	11/30/99	CHKD.	
		DESIGN	
		MFG.	

**ENGINEERING DEPARTMENT**

**SUPER LEANING POST/  
 LIVEWELL OPTION,  
 21' OUTRAGE**

MODEL YEAR	2001 UPDATE	6/20/00	RC
CODE	DESCRIPTION	DATE	BY
	REVISIONS		APP'D

DWG. NO. PJ886051

# MODEL YEAR 2001 PARTS LIST

BOAT MODEL: 21' OUTRAGE  
DOCUMENT CONTROL NO: PJ886052

ITEM	QTY.	U/M	DESCRIPTION	B.W.I. NO.
01	1	EA.	FIBERGLASS PART, BTM LEAN POST	1061811
02	1	EA.	FIBERGLASS PART, TOP LEAN POST	1061829
03	6	EA.	HINGE, DOOR SS 1.5" x 3"	0995159
04	1	EA.	COVER, HDPE LIVEWELL PORT	1068188
05	1	EA.	COVER, HDPE LIVEWELL STBD	1068170
06	2	EA.	LATCH, SS ADJ GRIP	1033265
07	1	EA.	RAIL, GRAB L/P	1012327
08	9	EA.	SCREW, MACHINE 1/4-20 x 1" PPH	1008580
09	27	EA.	WASHER, FENDER 1/4" x 1.25" SS	0189365
10	15	EA.	NUT, LOCK #1/4-20 SC STD PATT	1009786
11	1	EA.	CUSHION, L/P W/STUDS WHT/GRY	1007418
12	1	EA.	SHELF, HDPE L/P W/LIVEWELL	1036979
13	1	EA.	INSERT, HDPE TUNNEL COLLAR	1043629
14	3	FT.	WEBBING, STRAP NYLON 1"	1030105
15	1	EA.	TEE, PVC 1.5"BARBx1.5"BARBx1.5"BARB	1037027
16	1	EA.	THRU-HULL, PLAS 2" SCUPPER W/FLAPPER	0628081
17	1	EA.	PLUG, DRAIN 1.5" BLK	0907279
18	1	EA.	VALVE, MARELON BALL 2-WAY 3/4"	0557959
19	2	EA.	TAILPIECE, MARELON 3/4"MPT x 3/4"BARB	0567925
20	1	EA.	SCREEN, BAITWELL FOR 1-1.5" STANDPIPE	0660415
21	1	EA.	PUMP, SPRAY HEAD FOR LIVEWELL AERATOR	0858944
22	1	EA.	TANK, WATER 30 GAL.	1042852
23	1	EA.	HOOK, FENDER SS	1043033
24	1	EA.	HOLDER, HDPE LEADER SEAFOAM	1068386
25	3	EA.	SCREW, MACHINE #10-24 x 1" POH	1010446
26	21	EA.	WASHER, FLAT #10 SS	0152918
27	21	EA.	NUT, HEX NYLON LOCK #10-24 SC	1007772
28	3	EA.	CORD, SHOCK/BUNGEE CLAMP 3/8" DIA.	1020023
29	1	EA.	CORD, SHOCK/BUNGEE 3/8" SPRING	1020056
30	.6	FT.	CORD, SHOCK BUNGEE 3/8" BULK BLK	1039528
31	12	FT.	HOSE, WATER 3/4" BLK REINF PVC	1042100
32	2	EA.	CLAMP, HOSE #10 SS	0263954
33	20	EA.	SCREW, MACHINE #10-24 x 7/8" POH	1008457
34	2	EA.	WASHER, FINISH #10 SS	0896258
35	12	EA.	SCREW, MACHINE #10-24 x 1/2" POH	1008432
36	12	EA.	NUT, BBL #10-24 x 3/8" POH	1040187
37	12	EA.	SCREW, TAPPING #14A x 1.5" PTH	1010909
38	4	EA.	SCREW, TAPPING #8A x 1/2" PTH	1008812
39	1	EA.	EYE, STRAP EYE TIEDOWN 5/16"	0861120
40	4	EA.	HOSE, SANI/SMOOTH WALL 1.5"	123844
41	6	EA.	CLAMP, HOSE #24 1"-2" SS	256693
42	1	EA.	DRAIN, ELBOW 90DEG 1.5"W/FLANGE/NUT	1041961

NOTES:

- 1.— ALL BARE WOOD, FOAM & FRP EDGES SHALL BE PAINTED WITH CATALYZED GEL COAT. GEL COAT SHALL MATCH SURROUNDING FINISHED SURFACE COLOR.
- 2.— BOSTIK SEALANT SHALL BE APPLIED TO ALL THRU-HULL PENETRATIONS AS THE BEDDING COMPOUND. EXCESS SEALANT SHALL BE REMOVED PRIOR TO CURE, USING A CLEAN, DRY CLOTH.
- 3.— ONLY TYPE A CLASS 1 FUEL HOSE MUST BE RUN INSIDE ANY CLOSED BILGE AREAS. (ISO A1 HOSE IS USED FOR CE CERTIFIED BOATS)

1.06 DIA THRU,  
(OPT) 100-70203 FISH PKG  
QTR SEAT LIVEWELL INLET

08 09 10 11 12

2.00" DIA. THRU, STD.  
FISH BOX PUMPOUT DRAIN  
1.37 DIA. THRU, TRANSOM DRAIN

53 13 14

VIEW ON TRANSOM

07 C'BORE 3.50" DIA. TO HULL,  
DRILL 3/4" DIA. THRU  
FUEL VENT (STD.)

TO DECK FUEL FILLER

TO DECK WTR FILL

TO DECK SHOWER FTG.

82 STD.

DELETE W/ DELETE  
ENGINE + MERC. PRERIG  
OPT. 020-79999

79

80 81

NOT INSTALLED W/ OPT:  
100-70203

1.37 DIA. THRU, P/S  
FISHWELL DRAIN

TO WASHDOWN/  
OPT. LIVEWELL

83 RAW WATER WASHDOWN PUMP, STD.  
SEE SHT. 3 FOR CONNECTION DETAILS.

1.38" DIA. THRU,  
W/4" C-BORE

90 FRESHWATER SHOWER PUMP,  
OPT: 100-70313.  
SEE SHT. 3 FOR CONNECTION DETAILS.

39

16 4.00" DIA. C'BORE TO HULL,  
1.12" DIA. THRU.  
FWD. BILGE OUTLET  
STD.

AT FWD LOC'N:  
4.00" DIA. C'BORE TO HULL,  
.75" DIA. THRU,  
PORTA-POTTI VENT

16

12.75" UP TO CTRS.

3.50" DIA. C'BORE TO HULL,  
1.12" DIA. THRU.  
BOW STORAGE DRAIN  
STD.

16

UNLESS OTHERWISE SPECIFIED:  
DIMENSIONS ARE IN INCHES  
TOLERANCES  
DECIMALS ± .005  
ANGULAR ± .5°  
DO NOT SCALE DRAWING

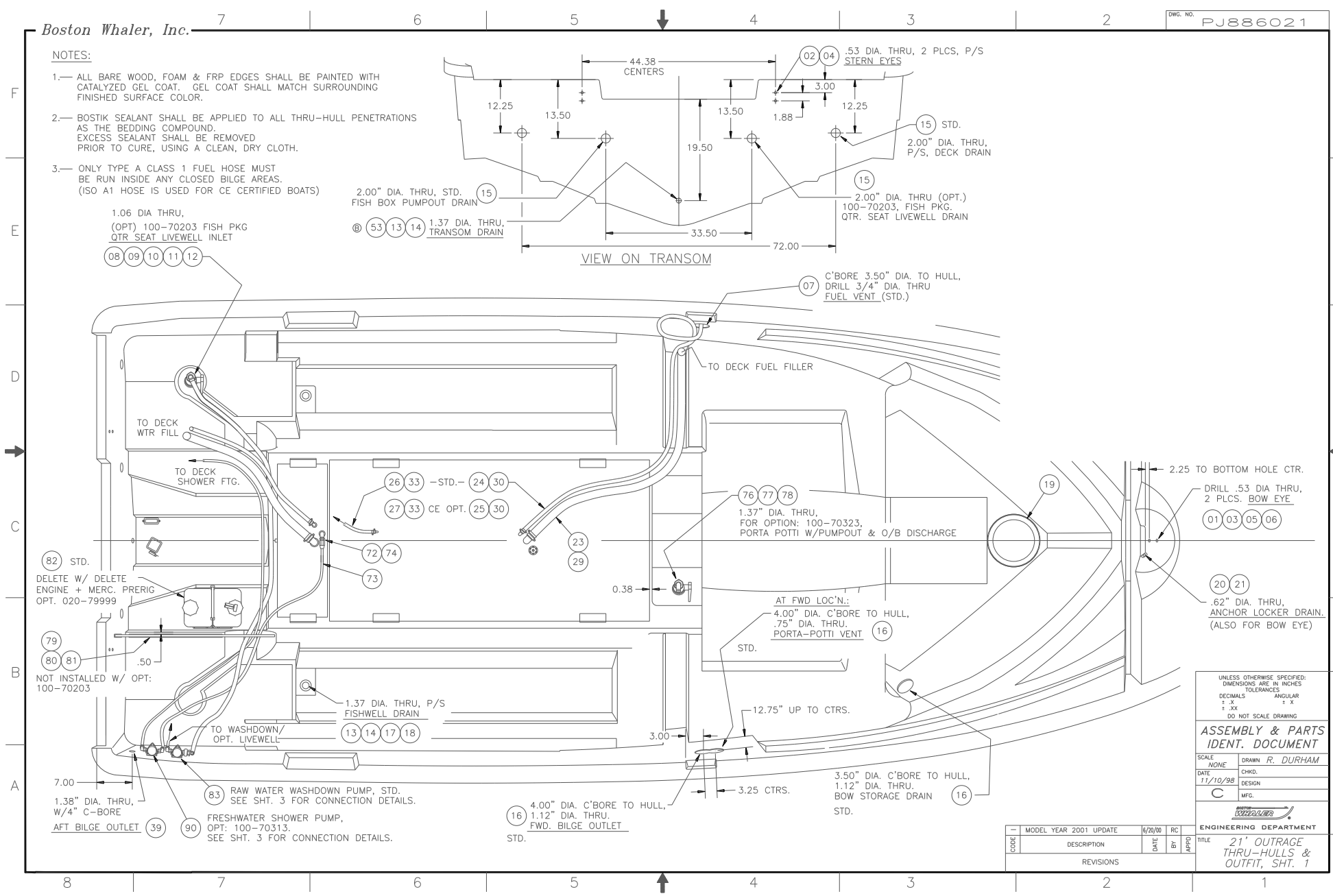
ASSEMBLY & PARTS  
IDENT. DOCUMENT

SCALE: NONE	DRAWN: R. DURHAM
DATE: 11/10/98	CHKD:
	DESIGN:
	MFG:

ENGINEERING DEPARTMENT

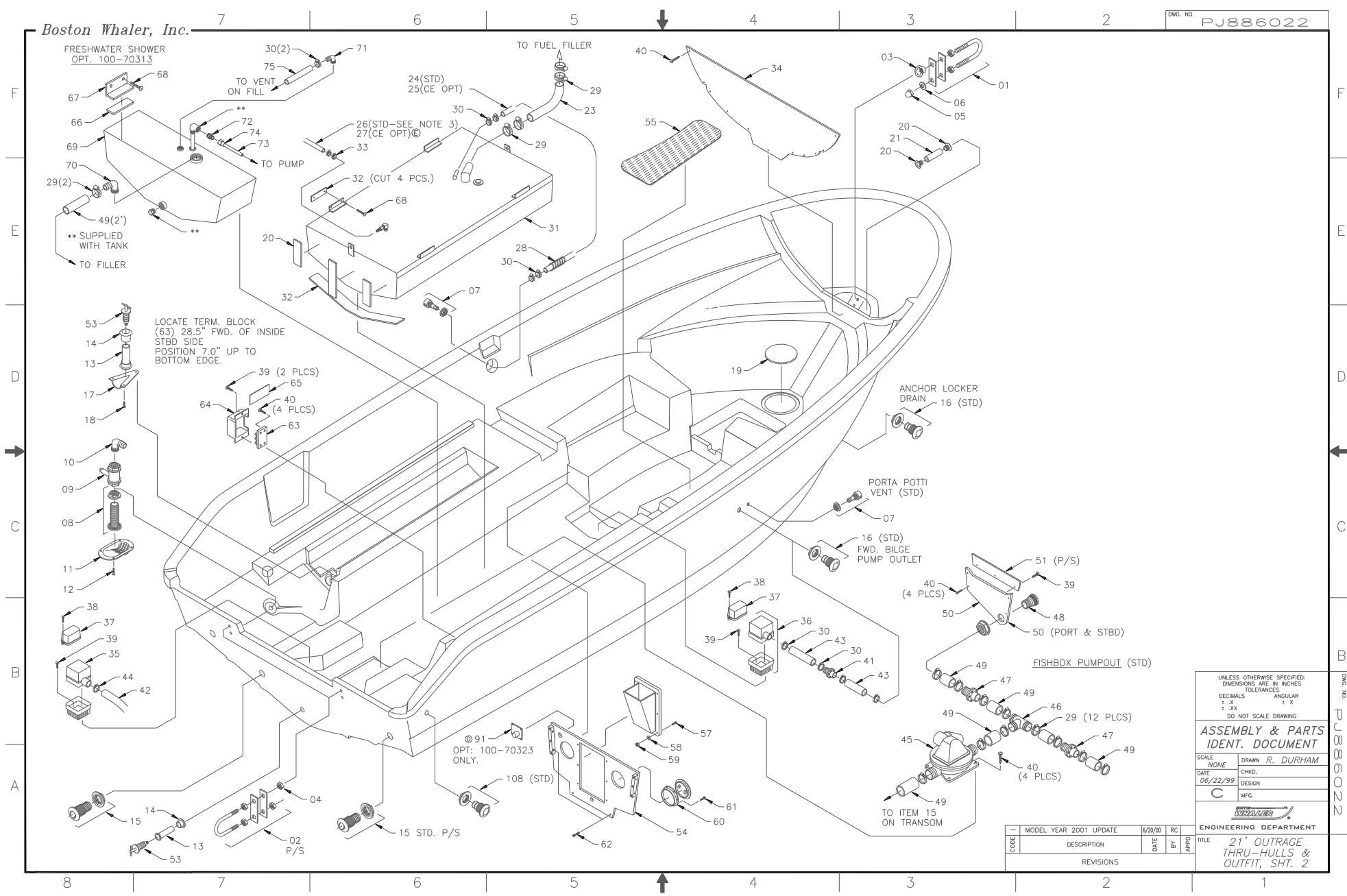
TITLE: 21' OUTRAGE THRU-HULLS & OUTFIT, SHT. 1

CODE	DESCRIPTION	DATE	BY	APPD
REVISIONS				



Boston Whaler, Inc.

DWG. NO. PJ886022



UNLESS OTHERWISE SPECIFIED:  
DIMENSIONS ARE IN INCHES  
TOLERANCES

DECIMALS	ANGULAR
± .X	± X
± .XX	± X/2

DO NOT SCALE DRAWING

**ASSEMBLY & PARTS IDENT. DOCUMENT**

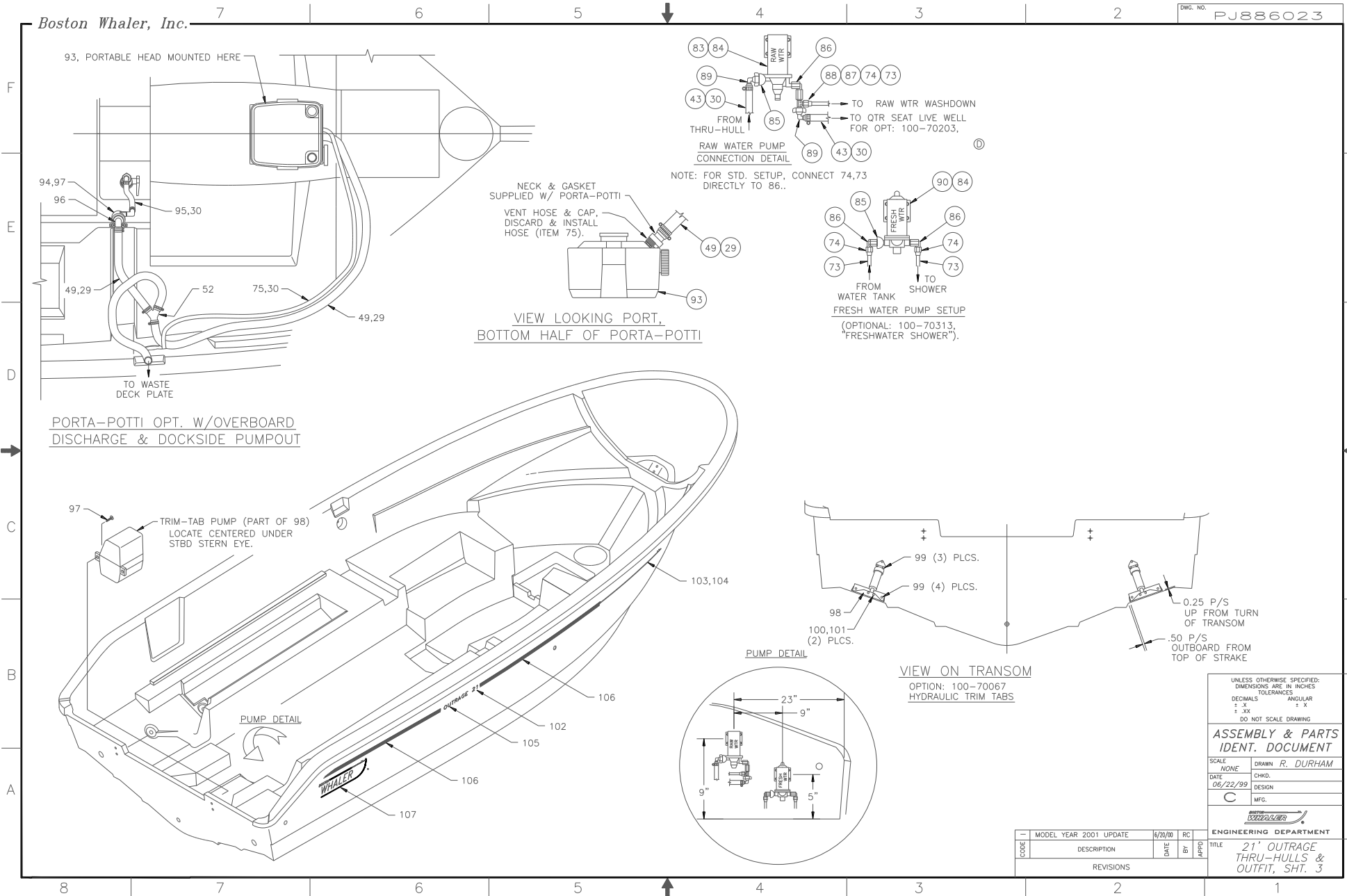
SCALE	NONE	DRAWN	R. DURHAM
DATE	06/22/99	CHKD.	
		DESIGN	
		MFG.	

**ENGINEERING DEPARTMENT**

MODEL YEAR	2001 UPDATE	6/20/00	RC
CODE	DESCRIPTION	DATE	BY
	REVISIONS		APPD

TITLE: 21' OUTRAGE THRU-HULLS & OUTFIT, SHT. 2

DWG. NO. PJ886022



## MODEL YEAR 2001 PARTS LIST

BOAT MODEL: 21' OUTRAGE  
DOCUMENT CONTROL NO: PUB86024

ITEM	QTY.	U/M	DESCRIPTION	BLU. NO.
01	1	EA.	EYE, BOW 1/2" x 6" SS	995472
02	2	EA.	EYE, BOW 1/2" x 3/7/16" SS	126557
03	1	EA.	EYE, LIFTING 1/2" CHR	1033091
04	4	EA.	NUT, LOCK 1/2-13 SS	1025915
05	1	EA.	NUT, ACORN 1/2-13 SS	1007756
06	1	EA.	WASHER, LOCK/SPLIT 1/2" SS	153684
07	1	EA.	VENT, FUEL TANK 3/4" SS STRAIGHT	859157
08	1	EA.	THRU-HULL, BRZ 3/4" W/NUT X-LONG	1032499
09	1	EA.	VALVE, MARELON BALL 2-WAY 3/4"	557959
10	1	EA.	ELBOW, MARELON 3/4"MPT x 3/4"BARB 90 DEG.	567958
11	1	EA.	STRAINER, MARELON 3/4" SCREEN ONLY	995589
12	4	EA.	SCREW, TAPPING #8 x 3/4" POH	150787
13	3	EA.	THRU-HULL, PVC PRESS-FIT	1042084
14	3	EA.	NUT, PVC RETAINING THRU-HULL	1042068
15	4	EA.	THRU-HULL, CHR/BRZ 1.5"	1319847
16	2	EA.	THRU-HULL, CHR/BRZ 3/4"	579896
17	2	EA.	VENT, CLAMHELL ROPE LCKR 2" x 2"	533430
18	6	EA.	SCREW, TAPPING #8 x 1/2" POH	1010578
19	1	EA.	COVER, ABS BW 10.25" POUR HOLE WHI.	1001122
20	2	EA.	DRAIN SLEEVE, FLUSH IMPACT 5/8"	518878
21	5	EA.	TUBING, WATER LINE 3/8" ID x 1/2" OD	896605
22		EA.		
23	8	FT.	HOSE, FUEL 1.5" TYPE A CLASS 2	0123745
24	8	FT.	HOSE, FUEL 5/8" TYPE A CLASS 2	0123778
25	8	FT.	HOSE, FUEL 5/8" ISO 7840-A2	0947499
26	4	FT.	HOSE, FUEL 3/8" TYPE A CLASS 1	0684738
27	4	FT.	HOSE, FUEL 3/8" ISO 7840-A1	0947473
28	11	EA.	SPRING, VENT 1.05" x 12" SS	1041367
29	22	EA.	CLAMP, HOSE #24 SS	0256693
30	14	EA.	CLAMP, HOSE #10 SS	0263954
31	1	EA.	TANK, FUEL BW 126GAL 2100R-99	1172063
32	5	EA.	RUBBER PAD 1/4" x 2" x 24"	1042449
33	3	EA.	CLAMP, HOSE #06W MINI SS	0123398
34	1	EA.	PANEL, HDPE CLOSEOUT ANCHOR LOCKER	1204775
35	1	EA.	PUMP, BILGE 1000GPH	0273003
36	1	EA.	PUMP, BILGE 800GPH	0698290
37	2	EA.	SWITCH, FLOAT RULE W/COVER	0989335
38	4	EA.	SCREW, TAPPING #6A x 1.25" POH	1008556
39	12	EA.	SCREW, TAPPING #8A x 5/8" PTH	1010925
40	27	EA.	SCREW, TAPPING #10A x 1.5" PTH	1008747
41	1	EA.	VALVE, FOOT/CHECK 3/4" BARB	1031756
42	5	FT.	HOSE, WATER 1-1/8" BLK	1042076
43	10	FT.	HOSE, WATER 3/4" BLK PVC REINF.	1042100
44	2	EA.	CLAMP, HOSE #6 SS	0256685
45	1	EA.	PUMP, HEAD SYS WASTE DIAPHRAGM 12V	1110808
46	1	EA.	TEE, PVC 1.5"BARB x 1.5"BARB x 1.5"BARB	1037027
47	2	EA.	VALVE, CHECK 1.5" BOSWORTH	555375
48	2	EA.	DRAIN, CXP1 W/SCREEN	0995118
49	30	FT.	HOSE, SANI/SMOOTH WALL 1.5"	0123844
50	2	EA.	CAP, HDPE FISHWELL END	1090612
51	2	EA.	BULK HD, HDPE FISHWELL EXTENSION	1117258
52	2	EA.	COUPLING, PLAS "Y" 1.5"	1041458
53	2	EA.	PLUG, BRASS 1" DRAIN TURN-TITE	0133371
54	1	EA.	BULKHEAD, HDPE CONSOLE AFT	1193036
55	1	EA.	RUBBER PAD, CONSOLE STEP TREAD BLK	1204874
56	1	EA.	BIN, HDPE/PLEX	1062520
57	6	EA.	SCREW, MACHINE #10-24 x 1.5" POH	1008515
58	6	EA.	WASHER, FLAT #10 SS	0152918
59	6	EA.	NUT, HEX NYLON LOCK #10-24	1007772
60	2	EA.	ACCESS PLATE, POLYPROP TWIST OUT 5"	1016153
61	12	EA.	SCREW, TAPPING #8A x 3/4" PPH	1010651
62	6	EA.	SCREW, TAPPING #10A x 2.50" POH	1008531
63	1	EA.	BUSS BAR, TERM BLOCK DC 2 POST 90AMP	1043603
64	1	EA.	COVER, ABS TERM BLOCK BLACK	1001528
65	1	EA.	LABEL, WARNING TERM BLOCK	1016922
66	2	EA.	TANK, BRACKET 2"x2"x6"	1030469
67	2	EA.	RUBBER PAD, FUEL TANK 2" x 6"	1042407
68	12	EA.	SCREW, TAPPING #14A x 1.5" PPH	1010909
69	1	EA.	TANK, WATER BW2300Q-97 - 20GAL	1033521
70	1	EA.	DRAIN, ELBOW 90DEG 1.5" W/FLNG NUT	1041961
71	1	EA.	ELBOW, MARELON 1/2"MPT x 5/8" BARB x 90DEG.	0995563
72	1	EA.	COUPLING, ACETAL 1/2"MPT x 1/2"NPT	1021005
73	25	FT.	TUBING, WATER LINE 3/8"ID x 1/2"OD	0896605
74	4	EA.	NUT/RING/CONE, ACETAL 1/2"TH x 3/8"OD	0158501
75	10	FT.	HOSE, SANI-CHEMICAL TOX 5/8"	0124719
76	1	EA.	THRU-HULL, BRZ 1" x 4-7/8"	0861153
77	1	EA.	VALVE, MARELON BALL 2-WAY 1"	0581355
78	1	EA.	ELBOW, MARELON 1" MPT x 1" HOSE 90DEG	0995555
79	1	EA.	BULKHD, HDPE AFT QTR STBD	1057256
80	3	FT.	TRACK, PVC HATCH SLIDE 10" GRAY	1058866
81	4	EA.	SCREW, TAPPING #8A x 3/4" PPH	1008408
82	1	EA.	TANK, OIL VRO W/ HARDWARE SV O/B	0100305
83	1	EA.	PUMP, RAW WATER	1043736
84	7	EA.	SCREW, TAPPING #10A x 1" PTH	1008739
85	1	EA.	FILTER, IN-LINE WATER 1/2" FPT	0406710
86	3	EA.	ELBOW, ACETAL 1/2"MPT x 1/2"FPT x 90DEG	0172551
87	1	EA.	TEE, ACETAL 1/2" MPT	0206003
88	1	EA.	COUPLING, PVC 1/2" FEMALE	0155978
89	2	EA.	ELBOW, PVC 1/2" FPT SWIVEL x 3/4" BARB	0626101
90	1	EA.	PUMP, FRESH WATER SHUREFO 2.8GPM	0504969
91	1	EA.	SWITCH, WASTE PUMP W/KEY	1444074
92		EA.		
93	1	EA.	HEAD, PORTABLE MSD SANI-POTTI SLVR	0130740
94	1	EA.	PUMP, HEAD SYS MACERATOR	0134841
95	3	FT.	HOSE, WATER 1" EX HVT DUTY	0124701
96	1	EA.	ELBOW, PVC 1.5" FPT x 1.5" BARB x 90DEG.	0141515
97	8	EA.	SCREW, TAPPING #10A x 3/4" PTH	1008762
98	1	EA.	TRIM TAB ASSY, 9x9 BW21CQ-98	1058262
99	14	EA.	SCREW, TAPPING #14A x 1.5" PPH	1008697
100	4	EA.	SCREW, MACHINE #174-20 x 1/2" PPH	1010586
101	4	EA.	NUT, LOCK 1/4-20 SSC STD PAT	1009786
102	2	EA.	DECAL, BW 21" FIRE RED HIBOSSCAL	0997882
		EA.	DECAL, BW 21" DK BLUE HIBOSSCAL	0997866
		EA.		
103	1	EA.	DECAL, HARPOON PORT FIRE RED	0998559
		EA.	DECAL, HARPOON PORT DK BLUE	0998450
		EA.		
104	1	EA.	DECAL, HARPOON STBD FIRE RED	0998609
		EA.	DECAL, HARPOON STBD DK BLUE	0998476
		EA.		
105	2	EA.	DECAL, BW OUTRAGE DK GRAY HIBOSSCAL	0998732
106	28	FT.	TAPE, SOLID 1" FIRE RED W/PIN STRIPE	1038009
		FT.	TAPE, SOLID 1" DK BLUE W/PIN STRIPE	1037985
		FT.		
107	1	EA.	DECAL, BW LOGO 28" FIRE RED	0998104
		EA.	DECAL, BW LOGO 28" DK BLUE	0998088
		EA.		
108	1	EA.	THRU-HULL, CHR/BRZ 1-1/8"	0973693