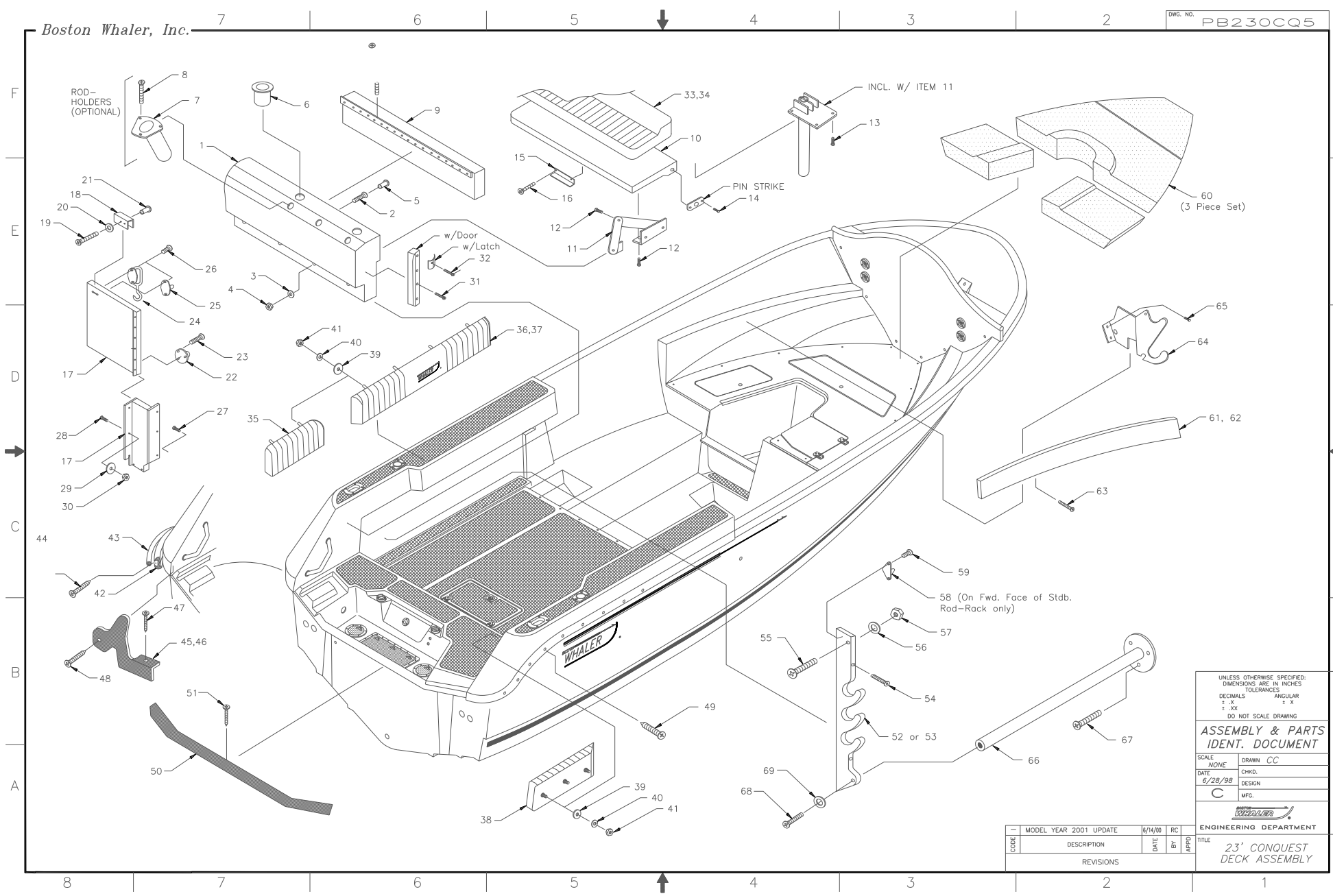


Boston Whaler, Inc.

DWG. NO. PB230CQ5



UNLESS OTHERWISE SPECIFIED:
 DIMENSIONS ARE IN INCHES
 TOLERANCES
 DECIMALS ANGULAR
 ± .X ± X
 ± .XX ± X
 DO NOT SCALE DRAWING

ASSEMBLY & PARTS IDENT. DOCUMENT

SCALE: NONE DRAWN: CC
 DATE: 6/28/98 CHKD.:
 DESIGN:
 MFG.:

ENGINEERING DEPARTMENT

MODEL YEAR	UPDATE	DATE	BY	RC	APPD.
2001		6/14/00			
REVISIONS					

TITLE: 23' CONQUEST DECK ASSEMBLY

DWG. NO. PB230CQ5

MODEL YEAR 2001 PARTS LIST

BOAT MODEL: 23' CONQUEST DECK ASSEMBLY
DOCUMENT CONTROL NO: PB230C06

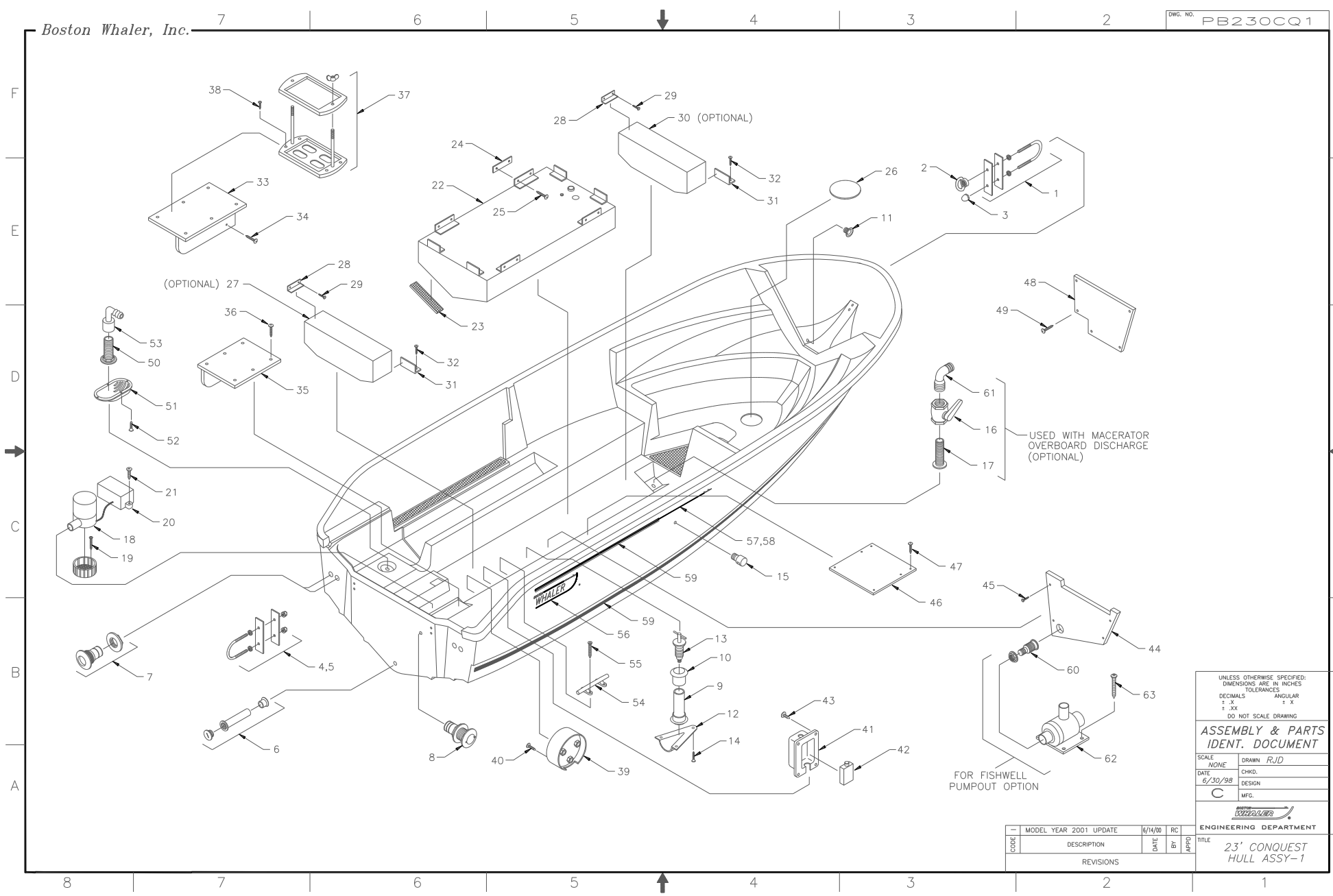
ITEM	QTY.	U/M	DESCRIPTION	B.W.I. NO.
01	1	EA.	BACKREST, STERN, FIBERGLASS	1072982
02	8	EA.	SCREW, MACH, 1/4-20 X 2" PPH	1008614
03	8	EA.	WASHER, FENDER, 1/4 X 1.25 SS	0189365
04	8	EA.	NUT, LOCK, 1/4-20 STD PATT	1009786
05	8	EA.	PLUG, NYLON, 1-1/8" DIA., BLK	1041409
06	2	EA.	DRINKHOLDER, PLAS, W/ DRAIN	1041987
07	3	EA.	HOLDER, ROD, FLUSH MT. W/ LOGO	1035286
08	9	EA.	SCR, TAPPING, #14 X 1.5" POH	1010560
09	1	EA.	CUSH, STERN, SEAT BACK, WHT/GRAY	1008912
10	1	EA.	SEAT PAN, BACKREST, FIBERGLASS	1128065
11	PR.	EA.	HINGE ASSEMBLY, FOLDING	1037373
12	8	EA.	SCR, MACH, 1/4-20 X 1" PPH	1008580
13	8	EA.	SCR, TAPPING, #10 X 1" PTH	1008739
14	4	EA.	SCR, TAPPING, #6 X 1/2" PTH	1008796
15	1	EA.	EDGE GUARD, ANCHOR LOCKER	1034552
16	2	EA.	SCR, TAPPING, #8 X 5/8" PTH	1010925
17	1	EA.	DOOR, PLEX, TRANSOM	1001916
18	1	EA.	LATCH, TRANSOM DOOR	1037381
19	2	EA.	SCR, MACH, #10-24 X 1" POH	1010446
20	2	EA.	WASHER, FINISH, #10	0896258
21	2	EA.	NUT, BBL, #10-24 X 3/8" PTH	1040211
22	1	EA.	STOP, DOOR, W/ BUMPER	0860650
23	3	EA.	SCR, TAPPING, #4 X 1/2" PFH	1010347
24	1	EA.	HOOK, CABIN DOOR, 2"	0996447
25	1	EA.	HOOK, CABIN DOOR, EYE ONLY	0996348
26	4	EA.	SCR, TAPPING, #6 X 1/2" PFH	1010362
27	5	EA.	SCR, TAPPING, #10 X 1.5" POH	1008515
28	3	EA.	SCR, MACH, #10-24 X 1" POH	1010446
29	3	EA.	WASHER, FLAT, #10	0152918
30	3	EA.	NUT, HEX NYLON LOCK, #10-24	1007772
31	3	EA.	SCR, TAPPING, #10 X 1.25" PFH	0888263
32	2	EA.	SCR, TAPPING, #6 X 1/2" PTH	1008796
33	1	EA.	CUSH, STERN SEAT, WHT/GRAY	1008184
34	14	EA.	SNAP-STUD, #8 X 3/8"	0203786
35	1	EA.	BOLSTER, COCKPIT, AFT PORT, WHT/GRAY	1008200
36	1	EA.	BOLSTER, COCKPIT, PORT, WHT/GRAY	1008242
37	1	EA.	BOLSTER, COCKPIT, STBD, WHT/GRAY	1008234
38	1	EA.	BOLSTER, AFT STBD, WHT/GRAY	1008259
39	13	EA.	WASHER, FLAT, 1/4" SS	0152926
40	13	EA.	WASHER, STAR, #10 SS	1008929
41	13	EA.	NUT, HEX, 1/4-20, SS	0152645
42	1	EA.	RUBRAIL, PLASTIC, CHAR, 54'	1020882
43	1	EA.	INSERT, RUBRAIL, CHAR FLEX, 54'	1020841
44	120	EA.	SCR, TAPPING, #10 X 1.5" PFH	1009943
45	1	EA.	CAP, RUBRAIL END, PORT	1037613
46	1	EA.	CAP, RUBRAIL END, STBD	1037621
47	2	EA.	SCR, TAPPING, #10 X 1" PTH	1008739
48	2	EA.	SCR, TAPPING, #10 X 2" PTH	1008754
49	103	EA.	SCR, TAPPING, #14 X 1.5" PFH	1008382
50	7	EA.	TRIM, VINYL RIGID, 1 X 1.5", BLK	1040948
51	5	EA.	SCR, TAPPING, #10 X 1.5" POH	1008739
52	1	EA.	ROD HOLDER, UNDER GUNL, PORT	1036342
53	1	EA.	ROD HOLDER, UNDER GUNL, STBD	1036359
54	6	EA.	SCR, TAPPING, #10 X 1.5" POH	1008515
55	2	EA.	SCR, MACH, #10-24 X 1.75" PPH	1008648
56	2	EA.	WASHER, FLAT, #10	0152918
57	2	EA.	NUT, HEX NYLON LOCK, #10-24	1007772
58	1	EA.	HOOK, CABIN DOOR, EYE ONLY	0996348
59	2	EA.	SCR, TAPPING, #6 X 1/2" PFH	1010362
60	1	EA.	CUSH, V-BERTH, 3PC,	1474014
61	1	EA.	BOLSTER, CABIN, PORT	1474022
62	1	EA.	BOLSTER, CABIN, STBD	1474030
63	12	EA.	SCR, TAPPING, #10 X 3/4" PTH	1008762
64	2	EA.	ROD HOLDER, HDPE, CABIN INTERIOR	1036367
65	8	EA.	SCR, TAPPING, #8 X 1" POH	1012756
66	2	EA.	RAIL, GRAB, TOE	0150805
67	6	EA.	SCR, TAPPING, #10 X 1" PTH	1008739
68	2	EA.	SCR, MACH, 1/4-20 X 1.5" PPH	1008598
69	2	EA.	WASHER, LOCK SPLIT, 1/4"	0153668

NOT SHOWN

	2	EA.	PILLOW, THROW, RED	1057892
	2	EA.	PILLOW, THROW, BLACK	1477157
	2	EA.	PILLOW, THROW, LT. BROWN	1477132

Boston Whaler, Inc.

DWG. NO. PB230CQ1



CODE	DESCRIPTION	DATE	BY	APPROV
REVISIONS				

UNLESS OTHERWISE SPECIFIED:
DIMENSIONS ARE IN INCHES
TOLERANCES

DECIMALS	ANGULAR
± .X	± X
± .XX	

DO NOT SCALE DRAWING

ASSEMBLY & PARTS IDENT. DOCUMENT

SCALE	DRAWN	RJD
NONE	CHKD.	
DATE	DESIGN	
6/30/98	MFG.	

ENGINEERING DEPARTMENT

TITLE: 23' CONQUEST HULL ASSY-1

DWG. NO. PB230CQ1

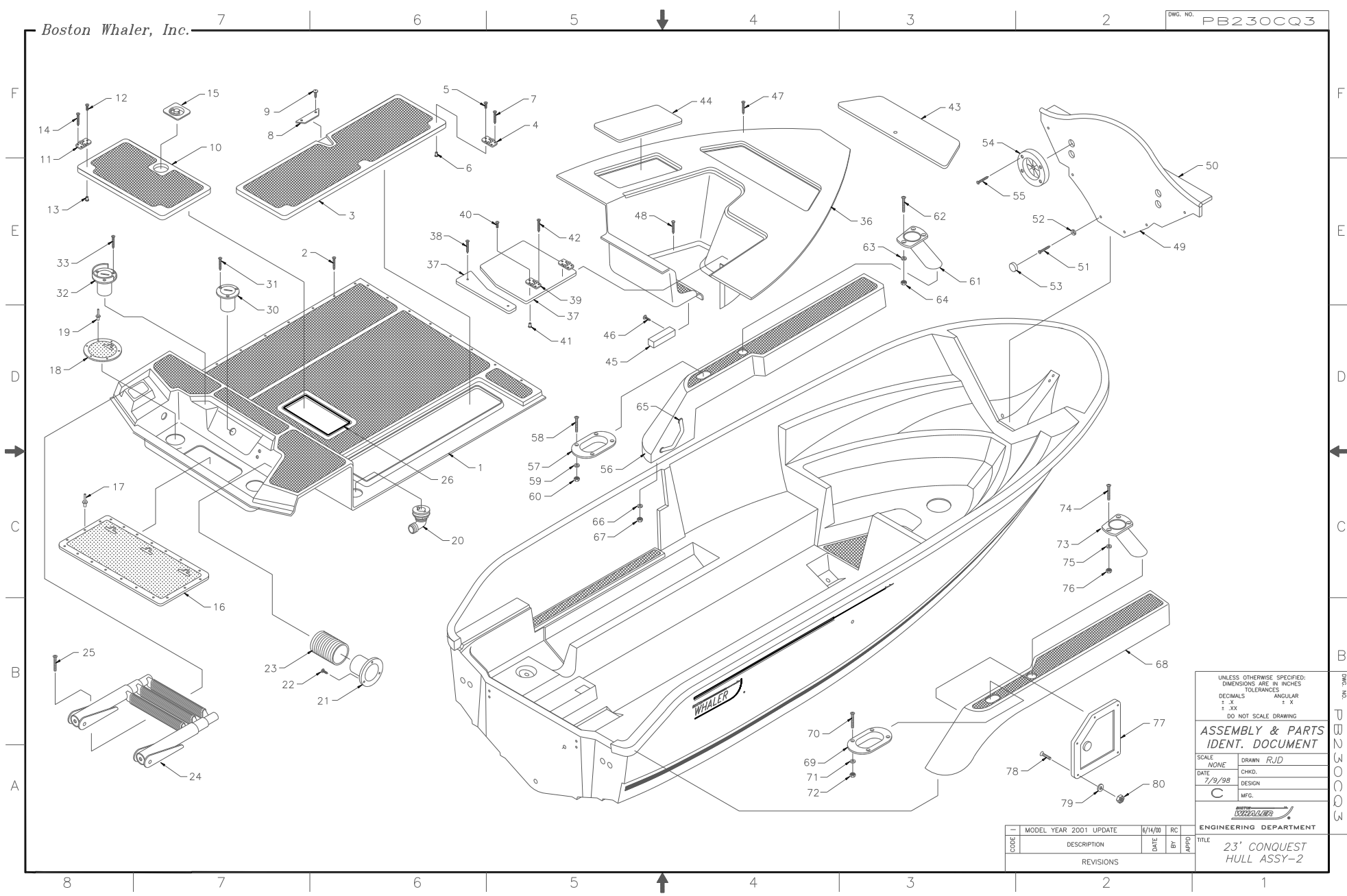
MODEL YEAR 2001 PARTS LIST

BOAT MODEL: 23' CONQUEST, HULL ASSY-1
DOCUMENT CONTROL NO: FB230C02

ITEM	QTY.	U/M	DESCRIPTION	B.W.I. NO.
01	1	EA.	EYE, BOW, 1/2 X 6" SS	0995472
02	1	EA.	EYE, LIFTING, 1/2" CHR	1033091
03	1	EA.	NUT, ACORN, 1/2-13 SS	1007756
04	2	EA.	EYE, BOW, 1/2 X 4" SS	0995456
05	2	EA.	NUT, ACORN, 1/2-13 SS	1007756
06	1	EA.	THRU-HULL, PLAS, 1.5" DRAIN	1042050
07	4	EA.	THRU-HULL, PLAS, 2" SCUPPER	0628081
08	1	EA.	THRU-HULL, PLAS, 1-1/8" WHT	0124578
09	3	EA.	THRU-HULL, PVC PRESS FIT	1042084
10	3	EA.	NUT, PVC RETAINING	1042068
11	2	EA.	DRAIN SLEEVE, FLUSH IMPACT, 5/8"	0518878
12	1	EA.	VENT. CLAMSHELL, 2X2"	0533430
13	2	EA.	PLUG, BRASS, 1" DRAIN	0133371
14	3	EA.	SCR, TAPPING, #6 X 3/4" POH	1008564
15	1	EA.	VENT, FUEL TANK, 3/4" SS	0859157
16	1	EA.	VALVE, MARELON, BALL, 2-WAY, 1"	0581355
17	1	EA.	THRU-HULL, BRS, 1"X4-7/8"	0861153
18	1	EA.	PUMP, BILGE, 12VDC 1000 GPH	0273003
19	2	EA.	SCR, TAPPING, #8 X 5/8" PTH	1010925
20	1	EA.	SWITCH, FLOAT, RULE #40M	0989335
21	2	EA.	SCR, TAPPING, ##8 X 1.25" PPH	1010644
22	1	EA.	TANK, FUEL, 125 GAL	1021369
23	6	EA.	RUBBER PAD, 1/4 X 2 X 24"	1042449
24	4	EA.	PAD, FUEL TANK, 1/8 X 1.5 X 4"	1042456
25	8	EA.	SCR, TAPPING, #14 X 1.5" PTH	1010909
26	1	EA.	COVER, ABS, POUR HOLE, WHT	1001122
27	1	EA.	TANK, WATER, 20 GAL.	1033521
28	4	EA.	TANK BRACKET, 2 X 2 X 6", 1/4" ALUM.	1030469
29	8	EA.	SCR, TAPPING, #14 X 1" PPH	1008689
30	1	EA.	TANK, HOLDING WATER, 20 GAL.	0578153
31	4	EA.	TANK BRACKET, 2 X 2 X 6", 1/4" ALUM.	1030468
32	8	EA.	SCR, TAPPING, ##14 X 1" PPH	1008689
33	1	EA.	SHELF, HDPE, BATTERY, PORT	1036946
34	4	EA.	SCR, TAPPING, #10 X 1.5" PTH	1008747
35	1	EA.	SHELF, HDPE, BATTERY, STBD	1036953
36	4	EA.	SCR, TAPPING, #10 X 1.5" PTH	1008747
37	2	EA.	BATTERY HOLDER, GR-27, BLK	1027036
38	8	EA.	SCR, TAPPING, #4 X 1PTH	1008689
39	1	EA.	SWITCH, BATTERY SELECTOR	0162693
40	4	EA.	SCR, TAPPING, #10 X 1.5" PTH	1008747
41	1	EA.	BOX, ABS, HARNESS	1037530
42	1	EA.	BRKR, SW, PB, 50A, ETA	1032457
43	4	EA.	SCR, TAPPING, #8 X 5/8" PTH	1010925
44	1	EA.	CAP, HDPE, FISHWELL END	1000868
45	4	EA.	SCR, TAPPING, #10 X 1.5" PTH	1008747
46	1	EA.	PANEL, CLOSEOUT, FISHWELL	1001031
47	6	EA.	SCR, TAPPING, #8 X 5/8" PTH	1010925
48	1	EA.	BHD, CABIN INTERIOR, AFT	1000736
49	6	EA.	SCR, TAPPING, #8 X 5/8" PTH	1010925
50	1	EA.	THRU-HULL, BRZ, 3/4" W/NUT	1032499
51	1	EA.	STRAINER, MARELON, 3/4"	0995589
52	4	EA.	SCR, TAPPING, #8 X 1/2" PFH	1008390
53	1	EA.	ELBOW, 3/4FPT X 3/4BARB X 90 DEG	0995571
54	2	EA.	CLEAT, 8", HEAVY DUTY	1027010
55	8	EA.	SCR, MACH, 1/4-20 X 1" PFH	1009950
56	1	EA.	DECAL, BW LOGO, 28" RED PORT	1452754
	1	EA.	DECAL, BW LOGO, 28" RED STBD	1457688
	1	EA.	DECAL, BW LOGO, 28" BLUE PORT	1452762
	1	EA.	DECAL, BW LOGO, 28" BLUE STBD	1457696
57	1	EA.	DECAL, BW HARPOON, PORT, RED	0998559
	1	EA.	DECAL, BW HARPOON, PORT, BLUE	0998450
58	1	EA.	DECAL, BW HARPOON, STBD, RED	0998609
	1	EA.	DECAL, BW HARPOON, STBD, BLUE	0998476
59	78'	EA.	TAPE, SOLID, W/STRIPE, RED	1038009
	78'	EA.	TAPE, SOLID, W/STRIPE, BLUE	1037985
60	1	EA.	DRAIN, COCKPIT, W/SCREEN	0995118
61	1	EA.	ELBOW, 1"MPT X 1"BARB X 90 DEG.	0995555
62	1	EA.	PUMP, LIVEWELL, GEN. PURPOSE	0653725
63	4	EA.	SCR, TAPPING, #10 X 1.5" PTH	1008747

Boston Whaler, Inc.

DWG. NO. PB230CQ3



UNLESS OTHERWISE SPECIFIED:
 DIMENSIONS ARE IN INCHES
 TOLERANCES
 DECIMALS ANGULAR
 ± .000 ± .000
 DO NOT SCALE DRAWING

ASSEMBLY & PARTS IDENT. DOCUMENT

SCALE: NONE DRAWN: RJD
 DATE: 7/9/98 CHKD.:
 DESIGN:
 MFG.: C

CONQUEST
 ENGINEERING DEPARTMENT

TITLE: 23' CONQUEST HULL ASSY-2

CODE	DESCRIPTION	DATE	BY	APPD
---	MODEL YEAR 2001 UPDATE	6/14/00	RC	
REVISIONS				

DWG. NO. PB230CQ3

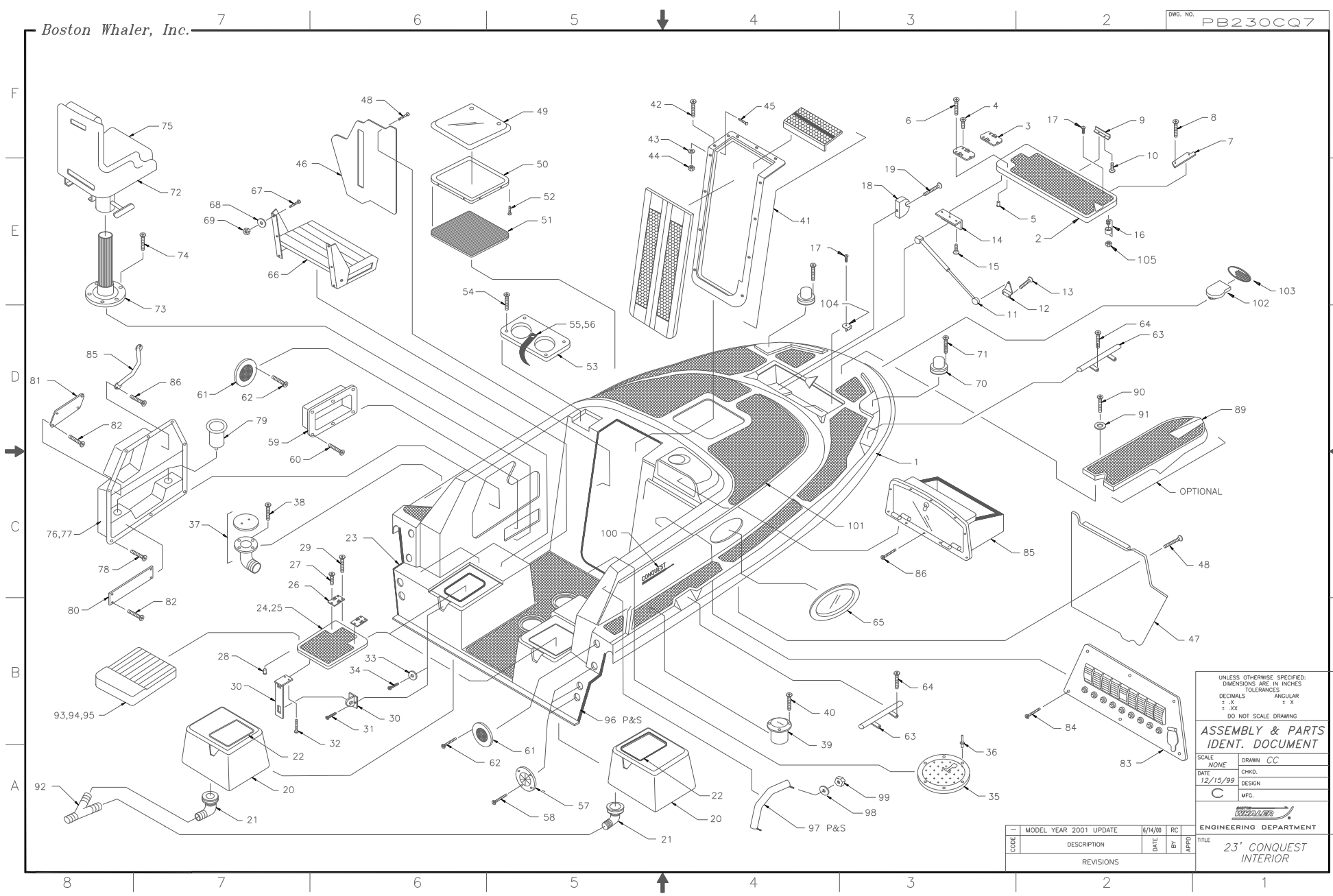
MODEL YEAR 2001 PARTS LIST

BOAT MODEL: 23' CONQUEST HULL ASSY-2
DOCUMENT CONTROL NO: PB230C04

ITEM	QTY.	U/M	DESCRIPTION	B.W.L. NO.
01	1	EA.	COVER, FUEL TANK, AFT DECK	22J39200
02	26	EA.	SCR, TAPPING, #10 X 2" POH	1008754
03	1	EA.	COVER, FISHWELL	1072990
04	1.5PR	EA.	HINGE, DOOR, 1.5 X 3" SS	0995159
05	9	EA.	SCR, MACH, #10-24 X 5/8" POH	1010545
06	9	EA.	NUT, BBL, #10-24 X 3/8" FH	1040187
07	6	EA.	SCR, TAPPING, #10 X 1" POH	1008507
08	1	EA.	HANDLE, SS HATCH	1014455
09	2	EA.	SCR, TAPPING, #6 X 1/2" PFH	1010362
10	1	EA.	HATCH, FUEL TANK COVER, FRP	22J56600
11	1PR	EA.	HINGE, DOOR, 1.5: X 3", SS	0995159
12	6	EA.	SCR, MACH, #10-24 X 5/8"	1010545
13	6	EA.	NUT, BBL, #10-24 X 3/8" FH	1040187
14	4	EA.	SCR, TAPPING, #10 X 1" POH	1008507
15	1	EA.	LATCH, RECESSED	1043298
16	1	EA.	HATCH, UTIL, 13 X 23" WHITE	0682302
17	18	EA.	RIVET, POP, BLIND, 3/16 X 5/8"	0189415
18	2	EA.	ACCESS PLT., TWIST OUT, 8", WHT.	1068659
19	12	EA.	RIVET, POP, BLIND, 3/16 X 5/8"	0189415
20	3	EA.	DRAIN ELBOW, 90DEG, 1.5", W/NUT	1041961
21	1	EA.	FLANGE, RIGGING, 2" BLACK	1043256
22	3	EA.	SCR, TAPPING, #8 X 5/8" PTH	1010925
23	4	EA.	HOSE, 2" ID RIGGING TUBE	1042399
24	1	EA.	LADDER, TELESCOPING, 3-STEP	1034859
25	4	EA.	SCR, MACH, 1/4-20 X 1" PPH	1008580
26	10	EA.	TRIMSEAL, 1/2", W/ 7/16" BULB	1041532
27	1	EA.	FITTING, FRESHWATER OUTLET	0996512
28	1	EA.	ELBOW, ACETAL, 1/2MPT X 90DEG	0158477
29	3	EA.	SCR, TAPPING, #8 X 3/4" POH	0150797
30	1	EA.	DECK PLATE, WATER, SS	0291732
31	3	EA.	SCR, TAPPING, #10 X 3/4" POH	1010552
32	1	EA.	ACC PART, MERC REMOTE OIL FILL	0733105
33	1	EA.	SCR, TAPPING, #6 X 1/2" PTH	1008796
34	3	EA.	FTG, BRASS, BULKHEAD	1043389
35	2	EA.	STEERING ELBOW, 90 DEG.	0161919
36	4	EA.	V-BERTH, FIBERGLASS	22J55600
37	1	EA.	LID, HDPE, TOILET	1022458
38	2	EA.	SCR, TAPPING, #10 X 1" PTH	1008739
39	1PR	EA.	HINGE, DOOR, 1.5 X 3" SS	0995159
40	6	EA.	SCR, MACH, #10-24 X 5/8" POH	1010545
41	6	EA.	NUT, BBL, #10-24 X 3/8"	1040187
42	4	EA.	SCR, TAPPING, #10 X 1" POH	1008507
43	1	EA.	LID, V-BERTH, LARGE	1022417
44	1	EA.	LID, V-BERTH, SMALL	1022433
45	1	EA.	BLOCK, HDPE, V-BERTH SUPPORT	1000801
46	3	EA.	SCR, TAPPING, #10 X 2" PTH	1008754
47	10	EA.	SCR, TAPPING, #10 X 1.5" POH	1008515
48	7	EA.	SCR, TAPPING, #8 X 1" PTH	1008804
49	1	EA.	BULKHEAD, HDPE, CABIN INT., FWD.	1023761
50				
51	6	EA.	SCR, TAPPING, #10 X 1.5" PFH	1010248
52	6	EA.	SNAP CAP, PLAS. WASHER	1031319
53	6	EA.	SNAP CAP, PLAS., WHT.	1031301
54	4	EA.	ROD-HOLDER, 2", DIAPHRAM, BLK	0860379
55	16	EA.	SCR, TAPPING, #8 X 3/4" PPH	1010651
56	1	EA.	GUNL BOARD, PORT, FRP	22J39500
57	1	EA.	HAWSE PIPE	0859066
58	4	EA.	SCR, MACH, #10-24 X 1.25" POH	1008424
59	4	EA.	WASHER, FLAT, #10	0152918
60	4	EA.	NUT, HEX NYLON LOCK, #10-24	1007772
61	1	EA.	HOLDER, ROD, FLUSH, W/LOGO	1035286
62	3	EA.	SCR, MACH, #1/4-20 X 1.5" POH	1010438
63	3	EA.	WASHER, FLAT, 1/4"	0152926
64	3	EA.	NUT, LOCK, 1/4-20, STD, PATT.	1009786
65	1	EA.	RAIL, GRAB, W/STUD, 11" X 1"	1008960
66	2	EA.	WASHER, FENDER, 5/16" X 1.5"	0952002
67	2	EA.	NUT, HEX NYLON LOCK, 5/16 X 1.5"	1007814
68	1	EA.	GUNL BOARD, STARBOARD, FRP	22J39501
69	1	EA.	HAWSE PIPE	0859066
70	4	EA.	SCR, MACH, #10-24 X 1.25" POH	1008424
71	4	EA.	WASHER, FLAT, #10	0152918
72	4	EA.	NUT, HEX NYLON LOCK, #10-24	1007772
73	1	EA.	HOLDER, ROD, FLUSH MT., W/LOGO	1035286
74	3	EA.	SCR, MACH, #1/4-20 X 1.5" POH	1010438
75	3	EA.	WASHER, FLAT, 1/4"	0152926
76	3	EA.	NUT, LOCK, 1/4-20 STD. PATT.	1009786
77	1	EA.	DOOR, HDPE, BATTERY SWITCH	1001627
78	5	EA.	SCR, MACH, #8-32 X 1" PTH	1008713
79	5	EA.	WASHER, FLAT, #8	0152900
80	5	EA.	NUT, LOCK, #8-32	1009927

Boston Whaler, Inc.

DWG. NO. PB230CQ7



UNLESS OTHERWISE SPECIFIED:
 DIMENSIONS ARE IN INCHES
 TOLERANCES
 DECIMALS ANGULAR
 ± .X ± X
 ± .XX ± .XX
 DO NOT SCALE DRAWING

ASSEMBLY & PARTS IDENT. DOCUMENT

SCALE: NONE DRAWN: CC
 DATE: 12/15/99 CHKD.:
 DESIGN:
 MFG.:

BOSTON WHALER
 ENGINEERING DEPARTMENT

CODE	DESCRIPTION	DATE	BY	RC	APPRO
MODEL YEAR 2001 UPDATE 6/14/00					
REVISIONS					

TITLE: 23' CONQUEST INTERIOR

DWG. NO. PB230CQ7

MODEL YEAR 2001 PARTS LIST

BOAT MODEL: 23' CONQUEST INTERIOR
DOCUMENT CONTROL NO: PBZ30008

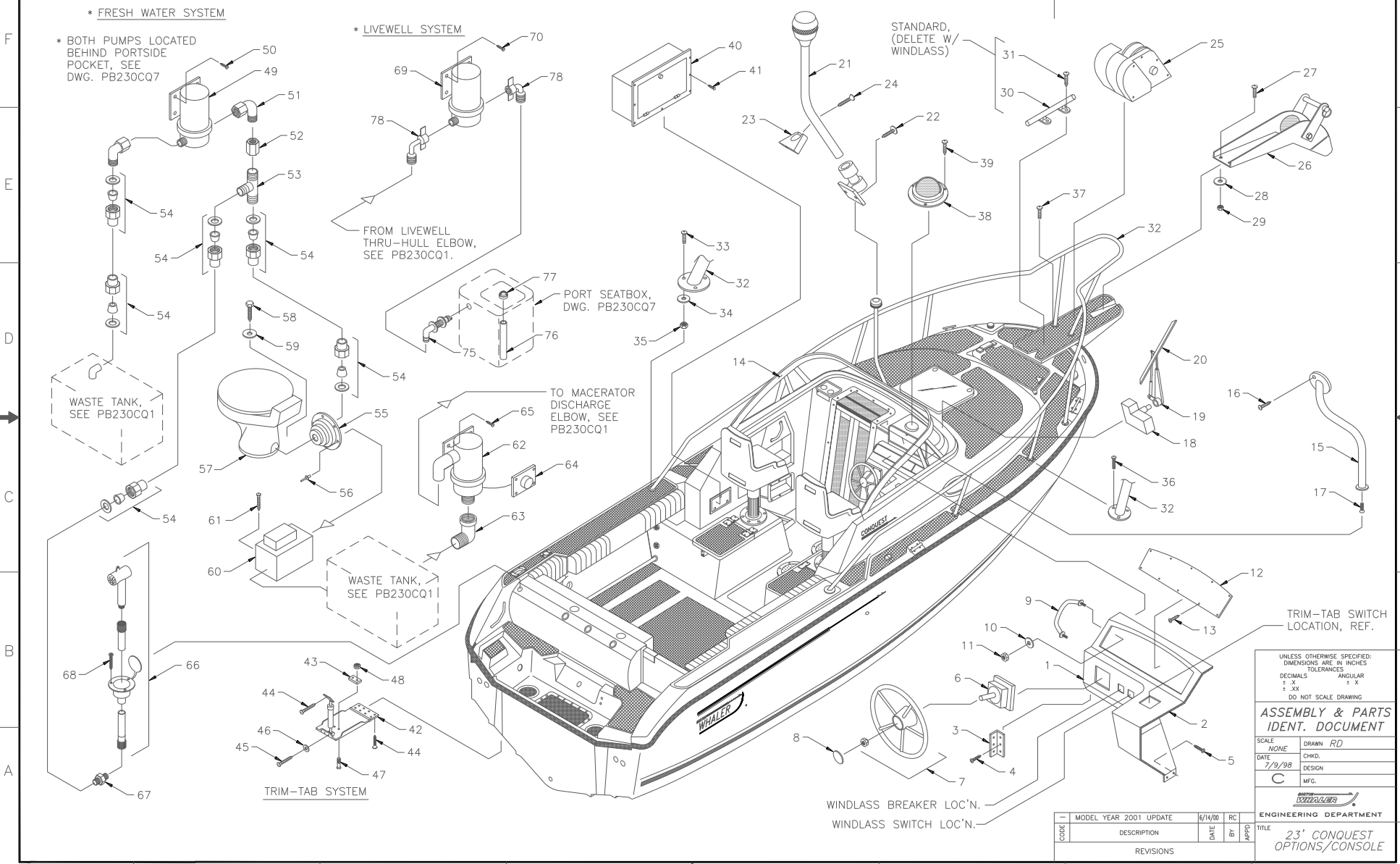
REV	QTY	UOM	DESCRIPTION	REV. NO.
	01	1	EA. TOPSKIN, 23' CONQUEST	22134500
	02	1	EA. COVER, ANCHOR LOCKER	1061365
	03	PR	EA. HINGE, DOOR, 1.5 X 3'	0995159
	04	6	EA. SCR, MACH, #10-24 X 5/8" POH	1010545
	05	6	EA. NUT, BBL, #10-24 X 3/8" FH	1040187
	06	4	EA. SCR, TAPPING, #10 X 1" POH	1008507
	07	1	EA. HANDLE, HATCH	1014455
	08	2	EA. SCR, TAPPING, #6 X 1/2" PFH	1010362
	09	1	EA. FRAME, ANCHOR LOCKER GUARD	1034552
	10	2	EA. SCR, TAPPING, #8 X 1/2" PTH	1008812
	11	1	EA. CYLINDER, GAS, SS 20PSI 10"EXT X 7"	1384940
	12	1	EA. BRKT, LIFT CYL, OFFSET, W/ STUD	0995804
	13	2	EA. SCR, TAPPING, #8 X 5/8" PTH	1010925
	14	1	EA. BRKT, LIFT CYL, 90DEG	0817676
	15	2	EA. SCR, TAPPING, #8 X 1/2" PTH	1008812
	16	1	EA. STOP, DOOR HOLDER RBR BLUE	1142348
	17	2	EA. SCREW, MACHINE #10-24x3/4" PPH	1341973
	18	2	EA. CLIP, STORAGE POLE, BLK	0580646
	19	2	EA. SCR, TAPPING, #10 X 1" POH	1008507
	20	2	EA. STORAGE BUCKET, HELM CONS.	0995282
	21	2	EA. DRAIN ELBOW, 90DEG, 1.5"	1041961
	22	10	EA. TRIM EDGE, VINYL, 1 X 5/32" BLK	1041540
	23	10	EA. TRIM SEAL, 1/4", BLK	1041508
	24	1	EA. COVER, HELM SEAT, PORT, FRP	1142363
	25	1	EA. COVER, HELM SEAT, STBD, FRP	1142355
	26	2	PREA. HINGE, DOOR, 1.5 X 3'	0995159
	27	12	EA. SCR, MACH, #10-24 X 5/8" POH	1010545
	28	12	EA. NUT, BBL, #10-24 X 3/8" FH	1040187
	29	8	EA. SCR, TAPPING, #10 X 1" POH	1008507
	30	2	EA. HASP, SWIVEL, FLUSH MOUNT	0995134
	31	4	EA. SCR, TAPPING, #8 X 3/4" PFH	1008408
	32	4	EA. SCR, TAPPING, #8 X 1/2" PTH	1008812
	33	2	EA. BUMPER, BLACK	1039239
	34	2	EA. SCR, TAPPING, #8 X 5/8" PTH	1010925
	35	2	EA. ACCESS PLT, TWIST OUT, 8"	1039486
	36	12	EA. RIVET, POP, 3/16 X 5/8" ALUM	0189415
	37	1	EA. DECK PLATE, GAS, W/ VENT	0859917
	38	4	EA. SCR, TAPPING, #8 X 5/8" PTH	1010925
	39	1	EA. DECK PLATE, WASTE, SS	0291757
	40	3	EA. SCR, TAPPING, #10 X 1" POH	1008507
	41	1	EA. DOOR, HDPE, COMPANIONWAY	1001643
	42	16	EA. NUT, LOCK, #8-32	1009927
	43	16	EA. WASHER, FLAT, #8 SS	0152900
	44	16	EA. NUT, LOCK, #8-32	1009927
	45	16	EA. SCR, TAPPING, #6 X 3/4" PFH	1010370
	46	1	EA. BULKHEAD, HDPE, CABIN INT, PORT	10237446
	47	1	EA. BULKHEAD, HDPE, CABIN INT, STBD	1023753
	48	10	EA. SCR, TAPPING, #10 X 1" PTH	1008739
	49	1	EA. HATCH, DECK, 19.25 X 19.25"	1028208
	50	1	EA. TRIM RING, HATCH, 1/4" LIP	1028232
	51	1	EA. SCREEN, DECK HATCH 18" SQ.	1028224
	52	24	EA. SCR, TAPPING, #8 X 5/8" PTH	1010925
	53	1	EA. DRINKHOLDER, HDPE	1002187
	54	4	EA. SCR, TAPPING, #10 X 1" POH	1008507
	55	1	EA. STRAP, W/S HOLD OREN	1025212
	56	2	EA. SNAP STUD, #8 X 3/8"	0203786
	57	6	EA. ROD HOLDER, PLAS, 2"ID, BLK	0860379
	58	24	EA. SCR, TAPPING, #8 X 3/4" PPH	1010651
	59	1	EA. BOX, ABS, FIRE EXT, LONG, WHT	1037480
	60	6	EA. SCR, TAPPING, #8 X 5/8" PTH	1010925
	61	3	EA. LIGHT, RECESSED, RND, FROST LENS	0860320
	62	12	EA. SCR, TAPPING, #6 X 3/4" PFH	1010370
	63	4	EA. CLEAT, 8", HEAVY DUTY	1027010
	64	16	EA. SCR, MACH, 1/4-20 X 1" PFH	1009950
	65	2	EA. PORTLIGHT, ELLIPSE, 6 X 16"	1244417
	66	1	EA. FOOTREST, HDPE, FOLDING	1002005
	67	4	EA. SCR, MACH, 1/4-20 X 1" PPH	1008580
	68	4	EA. WASHER, FENDER, 1/4 X 1.25"	0189365
	69	4	EA. NUT, LOCK, 1/4-20, STD	1009786
	70	PR	EA. LIGHT, NAV SURF, HORIZ MT	0996496
	71	6	EA. SCR, TAPPING, #4 X 1" PPH	1010636
	72	2	EA. SEAT, HELM	1027226
	73	2	EA. PEDestal, 9.5", W/O SPIDER	1027200
	74	12	EA. SCR, MACH, 1/4-20 X 2" PFH	0153171
	75	2	EA. CUSH, PED, SEAT, WHT/GRAY	1006865
	76	1	EA. POCKET, HDPE, PORT SIDE	1043207
	77	1	EA. POCKET, HDPE, STBD SIDE	1043264
	78	16	EA. SCR, TAPPING, #8 X 5/8" PTH	1010925
	79	4	EA. DRINKHOLDER, PLAS, W/DRAIN	1041987
	80	2	EA. SHELF, PLEX, LARGE	1036912
	81	2	EA. SHELF, PLEX, SMALL	1036920
	82	16	EA. SCR, TAPPING, #8 X 1/2" PTH	1008796
	83	1	EA. PANEL, SWITCH, SIDE POCKET	1452366
	84	6	EA. SCR, TAPPING, #6 X 1/2" PTH	1008796
	85	1	EA. RAIL, GRAB, W/O STUD	1011675
	86	2	EA. SCR, TAPPING, #14 X 1" PPH	1008689
	87	1	EA. BOX, PLEX, ELEC, ENCL, W/ DOOR	1001957
	88	12	EA. SCR, TAPPING, #10 X 1.5" POH	1008515
	89	1	EA. BOW PULPIT	22159600
	90	4	EA. SCR, TAPPING, #14 X 3" PPH	1010628
	91	4	EA. WASHER, FLAT, 1/4" SS	0152926
	92	1	EA. COUPLING, PLAS, "Y", 1.5"	1041458
	93	1	EA. CUSH, AFT FACING SEAT, PORT, WHT/GRAY	1008226
	94	1	EA. CUSH, AFT FACING SEAT, STBD, WHT/GRAY	1008218
	95	8	EA. SNAP STUD, #8 X 3/8"	0203786
	96	56	EA. TRIM EDGE, WHITE FLEX, U-TRIM	1020965
	97	2	EA. RAIL, GRAB, 11 X 1", W/ STUD, 5/16"	1008960
	98	4	EA. WASHER, FENDER, 5/16 X 1.5"	0952002
	99	4	EA. NUT, HEX NYLON LOCK, 5/16-18	1007814
	100	SET	EA. DECAL, BW, FIRE RED	0998294
		SET	EA. DECAL, BW, DARK BLUE	0998278
	101	20	EA. TAPE, SOLID, FIRE RED, W/PIN STRIPE	1038116
	102	1	EA. TAPE, SOLID, DK BLUE, W/PIN STRIPE	1038090
	103	1	EA. HORN, CONCEALED COMPACT ELEC DROP-IN	0765476
	103	1	EA. HORN GRILL, SNAP-IN WHT PLAS	875468
	104	1	EA. BRACKET, DOOR STOP SS	1464080
	105	1	EA. LOCKNUT, #10-24	1007772

NOT SHOWN

1	EA.	CUSHION, HEADLINER	1024892
1	EA.	CUSH, HEADLINER C/O ELEC. BOX	1025105
2	EA.	CUSH, HEADLINER TRIM INSERT	1025188
1	EA.	KEY, DECK PLATE CAP	0522599
1	EA.	PLATE, NMMA	0995837
4	EA.	RIVET, POP, 1/8 X 3/8" GRIP, ALUM	0192347
1	EA.	LABEL, FUEL TANK, NO-DRILL	1016443
1	EA.	PLATE, WARNING, FUEL HAZARD	0995704
1	EA.	LABEL, WARN, SWIM PLATFORM	1016948
1	EA.	CANVAS POUCH, ELEC. BOX STOR.	1025048
1	EA.	MANUAL, OWNERS, BW CONQUEST	1033109
1	EA.	PACKET, BW OWNERS BAG/DOCS.	1033228
1	EA.	LIGHT, DOME, EXT., 4" WHT	0996488

Boston Whaler, Inc.

DWG. NO. PB230CQ9



UNLESS OTHERWISE SPECIFIED:
DIMENSIONS ARE IN INCHES
TOLERANCES

DECIMALS	ANGULAR
± .005	± .1°
± .010	± .2°
± .015	± .3°

DO NOT SCALE DRAWING

ASSEMBLY & PARTS IDENT. DOCUMENT

SCALE	NONE	DRAWN	RD
DATE	7/9/98	CHKD.	
		DESIGN	
		MFG.	

ENGINEERING DEPARTMENT

MODEL YEAR	2001 UPDATE	DATE	6/14/00	RC	
CODE		DESCRIPTION		DATE	BY
		REVISIONS			APPD

TITLE: **23' CONQUEST OPTIONS/CONSOLE**

DWG. NO. PB230CQ9

MODEL YEAR 2001 PARTS LIST

BOAT MODEL: 23' CONQUEST, OPTIONS
DOCUMENT CONTROL NO. PB2300010

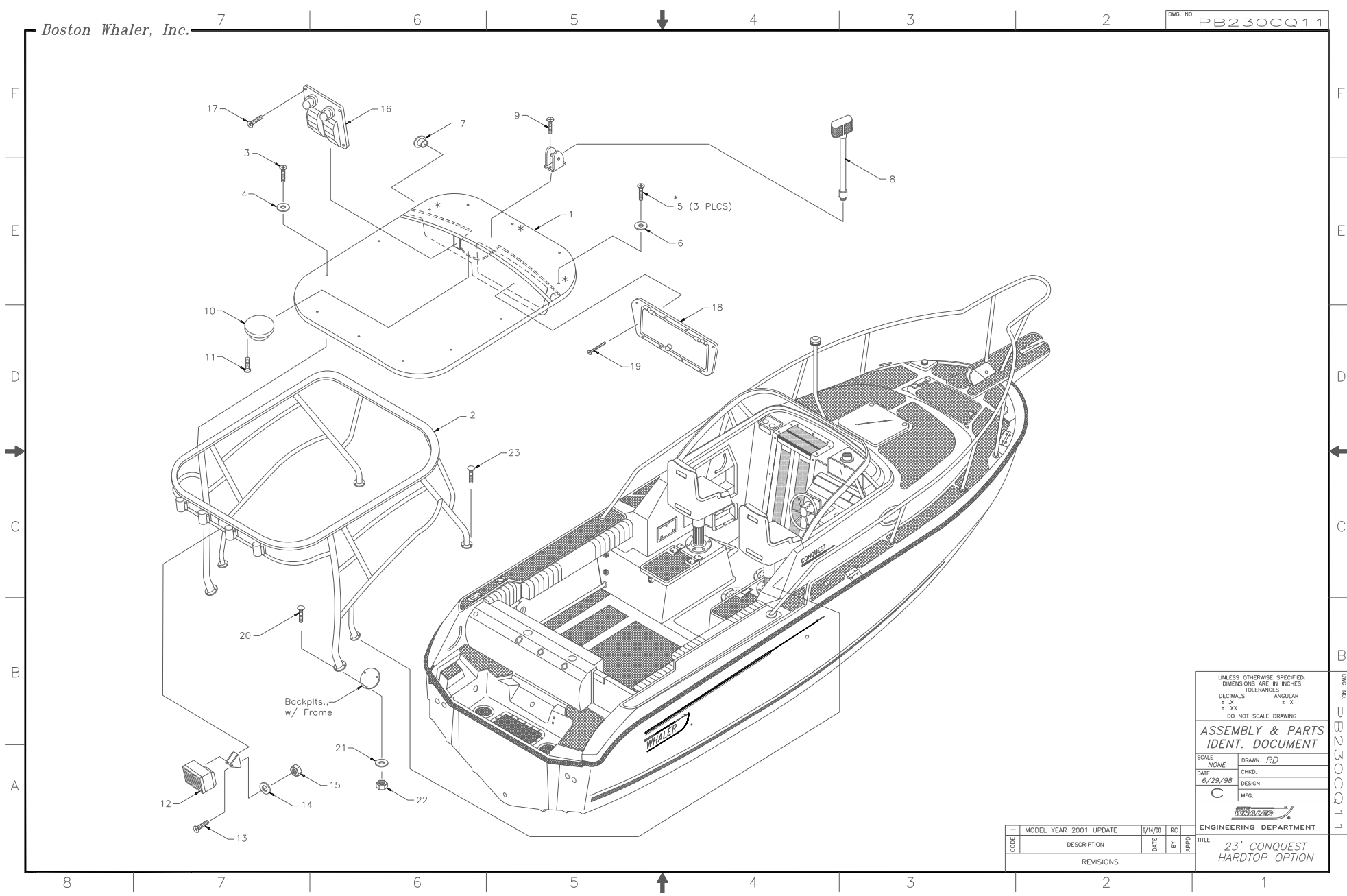
REV#	QTY.	U/M	DESCRIPTION	BRI. NO.
	01	1	EA. CONSOLE, HELM	22J39300
	02	5'	EA. MOLDING, VINYL, OFF-WHT, W/ADH.	1020924
	03	1	EA. BRACKET, BULKHEAD, FWD.	1030394
	04	3	EA. SCR, TAPPING, #10X3/4" PTH	1008762
	05	2	EA. SCR, TAPPING, #10X1.5" PTH	1008747
	06	1	EA. STEERING, HELM PUMP, TILT	0317032
	1PR	EA.	STEERING, OB HOSE KIT, 16'	0127019
	1PR	EA.	STEERING, OB HOSE KIT, 4'	0158352
	1	EA.	STEERING, HYD. CYL, FRNT MT.	1095728
	07	1	EA. STEERING WHEEL, 15" DIA.	1020197
	08	1	EA. EMBLEM, BW STEERING WHEEL CAP	1021054
	09	1	EA. RAIL, GRAB, W/ STUD	1011683
	10	2	EA. WASHER, FENDER, 5/16X1.5"	0952002
	11	2	EA. NUT, HEX NYLON LOCK, 5/16-18	1007814
	12	1	EA. PANEL, NO-PRE-RIG, BLANK	1459734
	1	EA.	PANEL, MERC SGL PRE-RIG	1461391
	1	EA.	PANEL, MERC DUAL PRE-RIG	1459742
	13	10	EA. SCR, TAPPING, #6X1/2" PTH	1008796
	14	1	EA. WINDSHIELD	1027846
	15	1	EA. BRACE, WINDSHIELD	1034909
	16	1	EA. SCR, TAPPING, #8X1" PTH	1008804
	17	1	EA. SCR, MACH, 5/16-18X1.5" PFH	0665786
	18	1	EA. WIPER MOTOR, WATERPROOF	1019983
	19	1	EA. WIPER ARM, PANTOGRAPH	1019959
	20	1	EA. WIPER BLADE, 14", CURVED	1019967
	21	1	EA. LIGHT, MAST, WHT, 36"	1035211
	22	2	EA. SCR, TAPPING, #10X3/4" PTH	1008762
	23	1	EA. CLIP, STORAGE POLE, BLK	0590646
	24	1	EA. SCR, TAPPING, #10X3/4" POH	1010552
	25	1	EA. WINDLASS, HORIZON 500	1041946
	26	1	EA. ROLLER, ANCHOR, BOW	1034875
	27	4	EA. SCR, PHMS, 1/4-20X1.25"	0151746
	28	4	EA. WASHER, FENDER, 1/4X1.25"	0189365
	29	4	EA. NUT, ACORN, 1/4-20	0152538
	30	1	EA. CLEAT, 8", HVY DUTY	1027010
	31	4	EA. SCR, TAPPING, #14X3" PPH	1010628
	32	1	EA. RAIL, BOW, W/ PULPIT	1011857
	1	EA.	RAIL, BOW	1012046
	33	6	EA. SCR, MACH, 1/4-20X1.25" PPH	0151746
	34	6	EA. WASHER, FENDER, 1/4X1.25"	0189365
	35	6	EA. NUT, LOCK, 1/4-20 STD. PATT	1009786
	36	18	EA. SCR, MACH, 1/4-20X1" PPH	1008580
	37	6	EA. SCR, TAPPING, #14X1" PPH	1008689
	38	1	EA. COMPASS, FLUSH MOUNT	0141788
	39	3	EA. SCR, TAPPING, #6X1" PFH	1010354
	40	1	EA. BOX, TACKLE, HDPE, SEAFOAM	1057231
	41	6	EA. SCR, TAPPING, #10X1" POH	1008507
	42	1	EA. TRIM TAB ASSY., 9X9	1020379
	43	.5	EA. ZINC, TRIM TAB BRICK	1039726
	44	14	EA. SCR, TAPPING, #14X1.5" PPH	1008697
	45	4	EA. SCR, MACH, 1/4-20X1/2" PPH	1010586
	46	4	EA. WASHER, STAR, 1/4"	1008929
	47	4	EA. SCR, MACH, 1/4-20X3/4" PPH	0151720
	48	4	EA. NUT, LOCK, 1/4-20, STD PATT	1009786
	49	1	EA. PUMP, FRESH WATER, SHURFLOW	0504969
	50	3	EA. SCR, TAPPING, #10X1" PTH	1008739
	51	1	EA. ELBOW, ACETAL, 90, 1/2MPTX1/2FPT	0172551
	52	1	EA. COUPLING, PVC, 1/2", FEMALE	0155978
	53	1	EA. TEE, ACETAL, 1/2" MPT	0206003
	54	6	EA. NUT/RING/CONE, ACETAL, 1/2"	0158501
	55	1	EA. GROMMET, OB HARNESS, 4" BLK	0995993
	56	6	EA. RIVET, BLIND, 3/16X5/8" ALUM	0189415
	57	1	EA. HEAD, VACU-FLUSH, WHT.	0294504
	58	4	EA. BOLT, LAG, 1/4X2" SS, HEX	1009133
	59	4	EA. WASHER, FLAT, 5/16X3/4"	1008903
	60	1	EA. VACUUM GEN, HEAD SYS., 12V	0844274
	61	8	EA. SCR, TAPPING, #14X1.5" PTH	1010909
	62	1	EA. PUMP, HEAD SYS. MACERATOR	0134841
	63	1	EA. ELBOW, PVC, 1.5" FPTX1.5" BARB, 90DEG	0141515
	64	1	EA. SWITCH, WASTE PUMP, W/KEY	1031822
	65	3	EA. SCR, TAPPING, #10X1" PTH	1008747
	66	1	EA. SHOWER ASSY, RECESSED, WHT	0886176
	67	1	EA. ADAPTER, BRASS, 1/4MPTX3/8BSP	1040088
	68	3	EA. SCR, TAPPING, #8X3/4" POH	0150797
	69	1	EA. PUMP, RAW WATER	1043736
	70	4	EA. SCR, TAPPING, #10X1" PTH	1008739
	71		EA.	
	72		EA.	
	73		EA.	
	74		EA.	
	75	1	EA. SPRAY HEAD, LIVWELL AERATOR	0858944
	76	1	EA. DRAIN, BAITWELL, 1.5" ELBOW	0626184
	77	1	EA. SCREEN, BAITWELL, 1.5" STANDPIPE	0659540
	78	2	EA. ELB, PVC 1/2FPTX3/4BARB, 90DEG	0626101

NOT SHOWN

	1	EA.	HEAD, PORTABLE SANI-POTTI, GRAY	1038587
	1	EA.	HEAD, PORTABLE, PLATINUM	0130740
	1	EA.	CANVAS, HELM STA, CVR, GRAY	1003722
	1	EA.	CANVAS, BIMINI TOP, W/BOOT, RED	1003789
	1	EA.	CANVAS, BIMINI TOP, W/BOOT, BLUE	1003813
	1	EA.	CANVAS, SUNTOP SIDE CURT SET, RED	1003904
	1	EA.	CANVAS, SUNTOP SIDE CURT SET, BLUE	1003920
	1	EA.	CANVAS, SUNTOP DROP CURT, RED	1004084
	1	EA.	CANVAS, SUNTOP DROP CURT, BLUE	1004092
	1	EA.	CANVAS, CAMPER TOP, RED	1006360
	1	EA.	CANVAS, CAMPER TOP, BLUE	1006378

Boston Whaler, Inc.

DWG. NO. PB230CQ11



UNLESS OTHERWISE SPECIFIED:
DIMENSIONS ARE IN INCHES
TOLERANCES

DECIMALS	ANGULAR
± .X	± X
± .XX	

DO NOT SCALE DRAWING

ASSEMBLY & PARTS IDENT. DOCUMENT

SCALE	NONE	DRAWN	RD
DATE	6/29/98	CHKD.	
		DESIGN	
		MFG.	

ENGINEERING DEPARTMENT

TITLE: **23' CONQUEST HARDTOP OPTION**

CODE	MODEL YEAR	DESCRIPTION	DATE	BY	RC	APPRO
	2001	UPDATE	6/14/00			
REVISIONS						

DWG. NO. PB230CQ11

MODEL YEAR 2001 PARTS LIST

23' CONQUEST HARDTOP
DOCUMENT CONTROL NO: PB230CQ12

ITEM	QTY.	U/M	DESCRIPTION	B.W.I. NO.
01	1	EA.	HARDTOP, 23' CONQUEST	22J55800
02	1	EA.	FRAME, HARDTOP, BRUSHED FINISH	1023183
03	1	EA.	FRAME, HARDTOP, TOPGUN, BRUSHED	1453539
04	9	EA.	SCR, MACH, 1/4-20X1.5" PPH	1008598
05	9	EA.	WASHER, FEND. 1/4X1.35"	0189365
06	3	EA.	SCR, MACH, 1/4-20X1.75 PPH	1008606
07	3	EA.	BUSHING, PLAS, SNAP. BLK	0189365
08	2	EA.	LIGHT, NAV, MAST'HD, ALL-ROUND	1041383
09	1	EA.	SCR, TAPPING, #10X3/4" PTH	1035211
10	2	EA.	LIGHT, SGL, DOME, FLUSH, WHT/RED	1008762
11	1	EA.	SCR, TAPPING, #10X3/4PTH	1041268
12	2	EA.	LIGHT, HALOGEN, 12V FLOOD	1008762
13	1	EA.	SCR, MACH, 1/4-20X1.5PPH	1040047
14	2	EA.	WASHER, FENDER, 1/4X1.25"	1008598
15	2	EA.	NUT, LOCK, 1/4-20, STD. PATT	0189365
16	2	EA.	PANEL, SWITCH ACCY.	1459759
17	1	EA.	SCR, TAPPING, #6X1/2"PTH	1026897
18	4	EA.	BOX, ELEC. ENCL W/DOOR	1001965
19	1	EA.	SCR, TAPPING, #10X1" POH	1008507
20	12	EA.	SCR, MACH, 1/4-20X2" PPH	1008614
21	12	EA.	WASHER, FENDER, 1/4X1.25"	0189365
22	12	EA.	NUT, LOCK, 1/4-20X1" PPH	1009786
23	6	EA.	SCR, MACH, 1/4-20X1" PPH	1008580
			NOT SHOWN	
	1	EA.	HARNESS, HARDTOP	36J55700
	1	EA.	FUSE BLOCK, 6-GANG, 20A	0996298
	1	EA.	FUSE, FERRULE, TYPE AGC, 5A	0140558