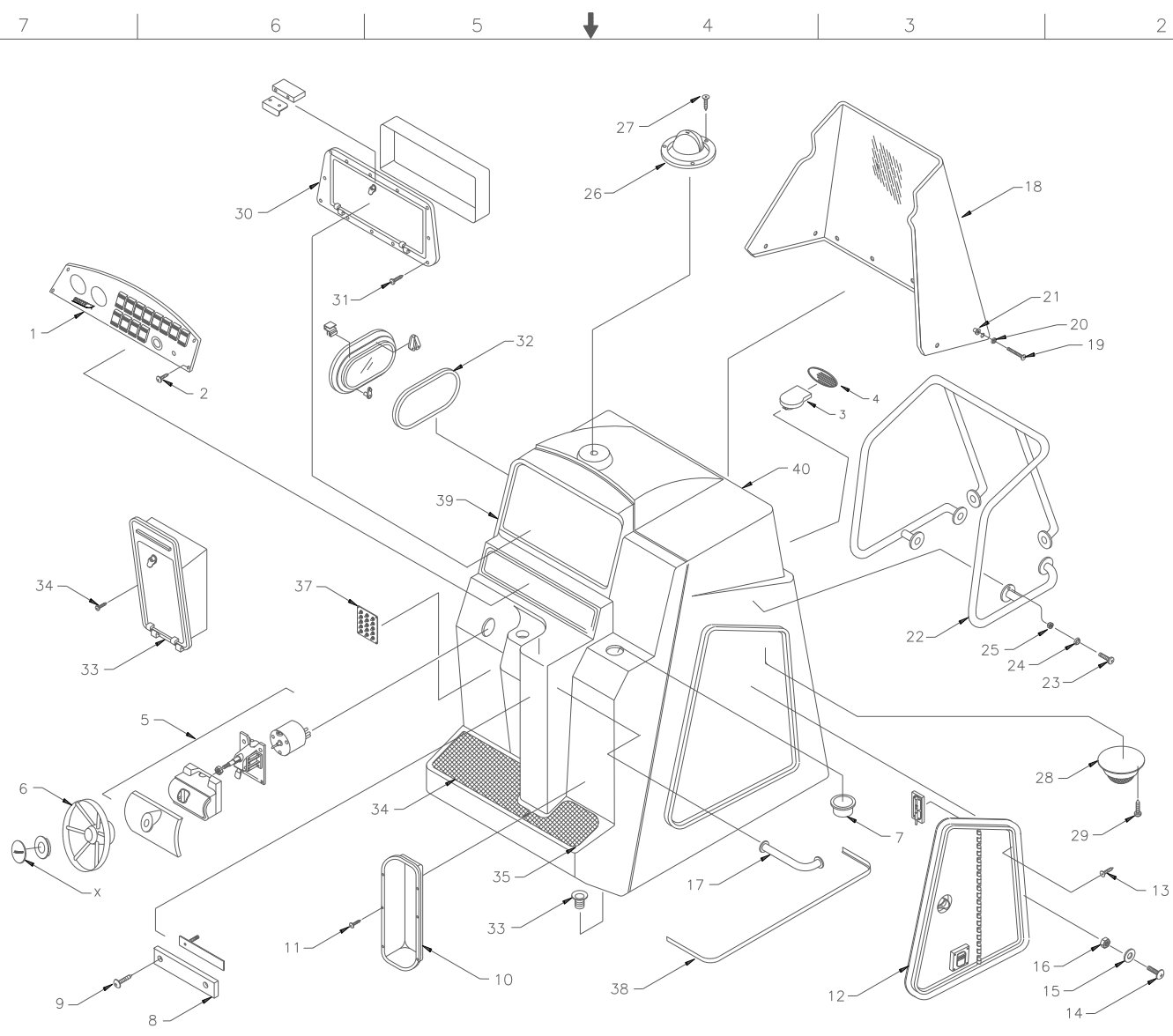


Boston Whaler, Inc.

DWG. NO. PB2300R6



UNLESS OTHERWISE SPECIFIED:  
 DIMENSIONS ARE IN INCHES  
 TOLERANCES  
 DECIMALS ANGULAR  
 ± .X ± X  
 ± .XX ± .X  
 DO NOT SCALE DRAWING

**ASSEMBLY & PARTS IDENT. DOCUMENT**

SCALE: NONE DRAWN: T.J.L.  
 DATE: 12/2/99 CHKD.:  
 DESIGN:  
 MFG.:

**EXPRESS**

ENGINEERING DEPARTMENT

TITLE: 23' OUTRAGE CONSOLE ASSEMBLY

CODE	DESCRIPTION	DATE	BY	APPROV.
-	MODEL YEAR 2002 UPDATE	4/23/02	HJR	
-	MODEL YEAR 2001 UPDATE	8/22/00	RC	
REVISIONS				

UNIVERSAL

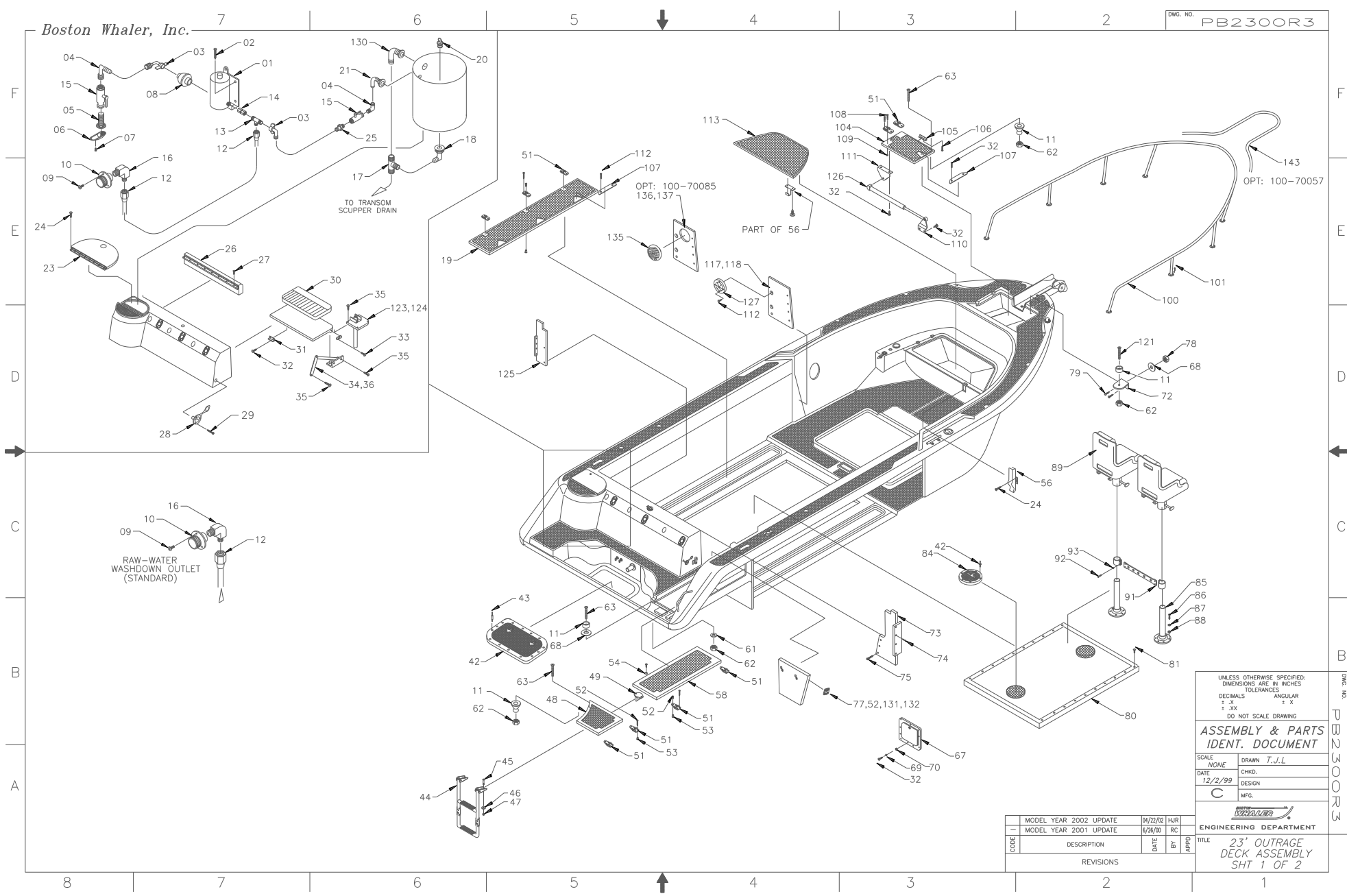
# MODEL YEAR 2002 PARTS LIST

BOAT MODEL: 23' OUTRAGE  
DOCUMENT CONTROL NO: PB2300R7 CONSOLE ASSEMBLY

ITEM	QTY.	U/M	DESCRIPTION	B.W.I. NO.
01	1	EA.	PANEL , BLANK W/STICHES	1452424
	1	EA.	PANEL, MERC SGL PRE/RIG	1452507
	1	EA.	PANEL, MERC DUAL PRE-RIG	1452606
02	10	EA.	SCREW, TAPPING #8A X 1/2" PTH	1008812
03	1	EA.	HORN, DUAL BLK W/SPADE CONNECTORS S	1413475
04	1	EA.	HORN, GRILL DUAL SS OVERLAY SERIES	1401736
05	1	EA.	STEERING, HELM TILT	0317032
06	1	EA.	STEERING, WHEEL 15" DIA. 25°	1020197
07	3	EA.	DRINK, HOLDER PLASTIC W/DRAIN BLACK	1186329
08	2	EA.	BUSS, BAR BONDING SYSTEM	1031798
09	4	EA.	SCREW, TAPPING #10A X 3/4" PTH	1008762
10	1	EA.	BOX, ABS FIRE EXT. LONG WHITE	1037480
11	6	EA.	SCREW, TAPPING #8A X 1/2" PTH	1008812
12	1	EA.	DOOR, HDPE BW2600R-98 CNSL STBD BIF	1062686
13	10	EA.	SCREW, TAPPING #8A X 3/4" PFH	1008408
14	10	EA.	SCREW, MACHINE, #8-32 X 1 1/2" PTH	1010719
15	10	EA.	WASHER, FLAT #8	0152900
16	10	EA.	LOCK, NUT #8-32	1009927
17	1	EA.	RAIL, GRAB BW2300R-98 CNSL	1071406
18	1	EA.	W/S, BW2300R-02 CNSL CLEAR	1614726
19	8	EA.	SCREW, MACHINE #1/4-20 X 1" PPH	1010107
20	8	EA.	WASHER, FINISH #10	0896258
21	8	EA.	NUT, WELL #10-32 LONG	1037050
22	1	EA.	RAIL, GRAB BW2300R-98 CNSL W/S	1071414
23	18	EA.	SCREW, MACHINE #1/4-20 X 1" PPH	1008580
24	18	EA.	WASHER, FENDER #1/4" X 1 1/4"	0189365
25	18	EA.	NUT, LOCK #1/4-20	1009786
26	1	EA.	COMPASS, FLUSH MT HELMSMAN BLK	0141788
27	4	EA.	SCREW, TAPPING #6A X 1/2" PFH	1010362
28	1	EA.	LIGHT, DOME EXTERIOR 4" WHITE	0996488
29	4	EA.	SCREW, TAPPING #10A X 3/4" PTH	1008762
30	1	EA.	BOX, HDPE BW2600R-98 ELECTRONICS W/	1062538
31	12	EA.	SCREW, TAPPING #10A X 3/4"	1008762
32	1	EA.	PORTLIGHT, ELLIPSE 6"X 16" WHT W/TR EA	1508712
33	1	EA.	DRAIN, 1" IMPACT W/O BARB BLACK	1041953
34	1	EA.	RUBBER, PAD CONSOLE PORT	1071430
35	1	EA.	RUBBER, PAD CONSOLE STRBD	1071422
36	1	EA.	EMBLEM, BW STEERING WHEEL	1021054
37	1	EA.	PANEL, BW230/2600R-01 BRKR	1453067
38	37	FT.	MOLDING, VINYL "L" OFF-WHT W/ADH	1020924
39	1	EA.	FIBERGLASS PART, CONSOLE AFT.	22-J749-51
40	1	EA.	FIBERGLASS PART, CONSOLE FWD	22-J759-50
41	1	EA.	PORTLIGHT, GASKET 3/8" SATUATED FOAM	1615194
42	1	EA.	SCREEN, PORTHOLD ELLIPSE BOMAR	1508738
			NOT SHOWN	
	1	EA.	LIGHT, NAV MASTHEAD COMBO HORZ.	1089986
	18	EA.	SNAP, CAP PLASTIC WHITE	1031301
	18	EA.	WASHER, SNAP CAP PLASTIC WHITE	1031319

Boston Whaler, Inc.

DWG. NO. PB2300R3



UNLESS OTHERWISE SPECIFIED:  
DIMENSIONS ARE IN INCHES  
TOLERANCES

DECIMALS	ANGULAR
± .005	± .03

DO NOT SCALE DRAWING

**ASSEMBLY & PARTS IDENT. DOCUMENT**

SCALE	NONE	DRAWN	T.J.L.
DATE	12/2/99	CHKD.	
		DESIGN	
		MFG.	

**ENGINEERING DEPARTMENT**

MODEL YEAR	2002 UPDATE	04/22/02	HJR
MODEL YEAR	2001 UPDATE	6/26/00	RC

REVISIONS

CODE	DESCRIPTION	DATE	BY	APPD

TITLE: 23' OUTRAGE DECK ASSEMBLY SH1 1 OF 2

UNW00R3



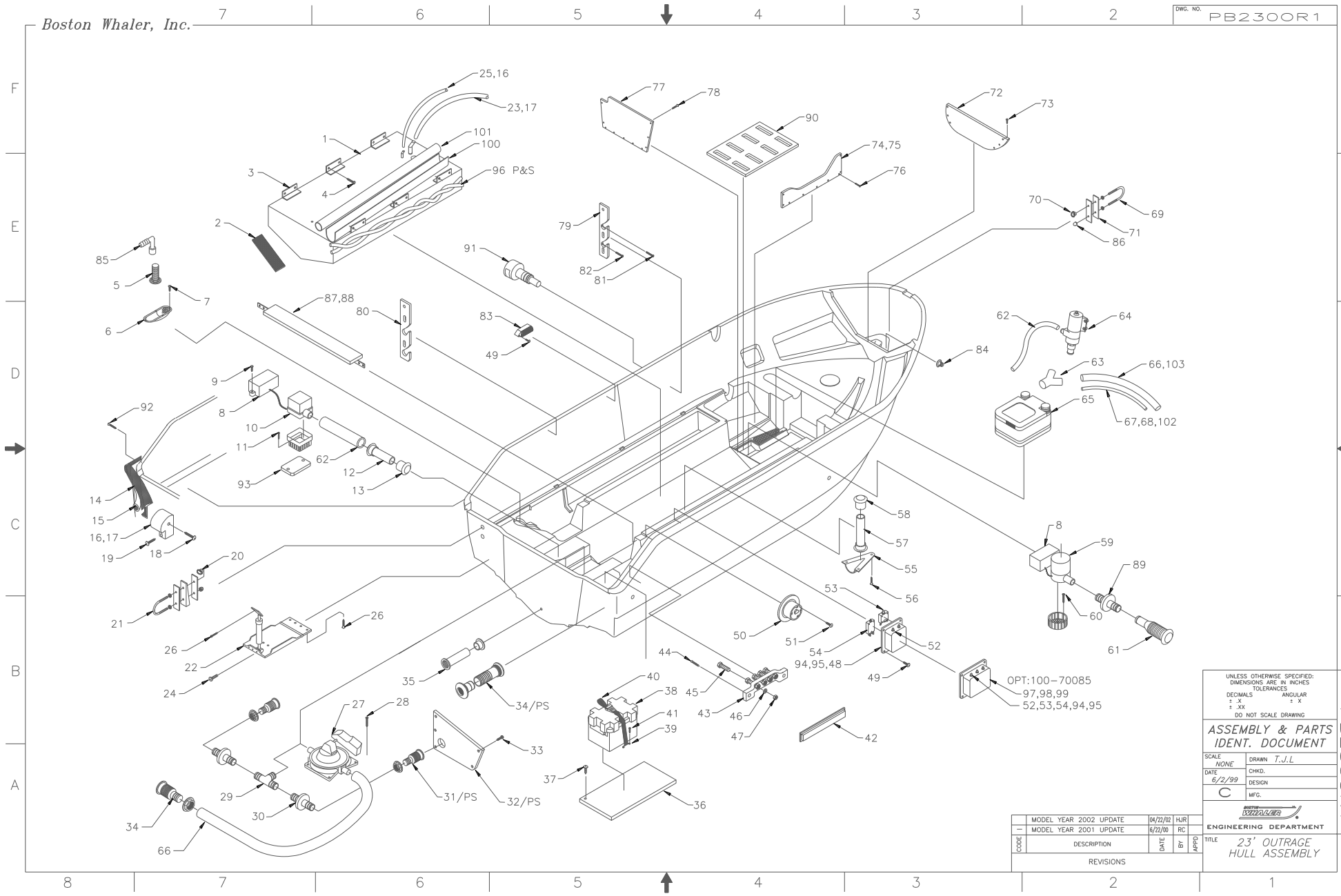
MODEL YEAR 2002 PARTS LIST

BOAT MODEL: 23' OUTRAGE  
DOCUMENT CONTAINS NO PRELIMINARY DECK ASSEMBLY

ITEM	QTY	UOM	DESCRIPTION	PART NO.
01	1	EA	PUMP RAW WATER	1043736
02	4	EA	SCREW TAPPING #10 X 3/4" POH	1008162
03	4	EA	ELBOW PVC 1/2" FPT SWIVEL X 3/4" BARB	0648101
04	2	EA	ELBOW MARELON 3/4MPT X 3/4BARB X 90	0567958
05	1	EA	THRU-HULL BRONZ 3/4" W/NUIT	1032499
06	1	EA	STRAINER SCREEN 3/4"	0989889
07	4	EA	SCREW TAPPING #8 X 3/4" POH	0150797
08	1	EA	FILTER IN-LINE WATER 1/2" FPT	040710
09	4	EA	SCREW TAPPING #8 X 3/4" POH	0150797
10	1	EA	FITTING FRESH WATER	0989512
11	2	EA	STOP DOOR HOLDER RBR BLUE	1142348
12	2	EA	NUT/RING/CONE ACETAL 1/2" X 3/8"	0158501
13	1	EA	TEE ACETAL 1/2"	0206003
14	1	EA	COUPLING PVC 1/2" FEMALE	0114776
15	2	EA	VALVE MAR BALL 2-WAY 3/4"	0529259
16	1	EA	ELBOW ACETAL 1/2" X 90	0158477
17	1	EA	TEE PVC 1.5 X 1.5 X 1.5 BARB	1030227
18	1	EA	DRAIN ELBOW 90DEG 1.5"W/FLANGE/NUIT	1041961
19	1	EA	COVER FISHWELL FIBERGLASS	2270700
20	1	EA	PLUG DRAIN 1 1/2" BLACK	0902779
21	1	EA	THRU-HULL PLAS 3/4" X 90 DEG. WHT	0146888
22	4	EA	SCREW TAPPING #8 X 1/2" PTH	1008812
23	1	EA	COVER HOPE BWCO/OR-02 LWELL W/L	1614450
24	18	EA	SCREW TAPPING #8 X 1/2" PTH	1010362
25	1	EA	TAILPIECE MARELON 3/4MPT X 3/4" BARB	0567925
26	1	EA	CUSHION STERN SEAT BR/WHITE	063114
27	20	EA	SCREW TAPPING #8 X 1/2" PTH	1010362
28	1	EA	WASHDOWN/SPRAYER VERT MNT WHT W/BW	1612928
29	4	EA	SCREW TAPPING #8 X 3/4" POH	1050797
30	1	EA	CUSH. BW2600R-98 STERN SEAT BASE WH	1063106
31	1	EA	FRAME BW100R-97 ANCHOR LCKR EDGE	1034552
32	2	EA	SCREW TAPPING #8 X 5/8" PTH	1010925
33	4	EA	SCREW TAPPING #10 X 1" PTH	1008739
34	1	EA	HINGE BWCO/OR-00 FOLDING SEAT LEFT	1423953
35	8	EA	SCREW MACHINE #1/4-20 X 1" PPH	1008580
36	1	EA	HINGE BWCO/OR-00 FOLDING SEAT RIGHT	1423961
37	1	EA	STEERING O/B HOSE KIT 18" W/BHD FT	1275692
38	1	EA	RAIL GRAB BOW30A-97 11"X1"SS W/ST	1008960
39	1	EA	LIGHT NAV STERN BASE ROUND CHAIR	0331751
40	1	EA	LIGHT STERN PLUG-IN 24"	1035229
41	3	EA	SCREW TAPPING #8 X 1/4" POH	0150797
42	1	EA	HATCH UTILITY 13" X 23" WHITE	0682302
43	18	EA	POP RIVET 3/16" X 5/8"	0189415
44	1	EA	LADDER TELESCOPING	1034559
45	4	EA	SCREW MACHINE #1/4-20 X 1 1/2" PPH	1008598
46	4	EA	WASHER FLAT #1/4-20	0189365
47	4	EA	NUT LOCK #1/4-20	1009793
48	1	EA	COVER SWIM FIBERGLASS	2271900
49	1	EA	LATCH RECESSED	1043298
50	8	EA	SCREW TAPPING #8 X 1/2" PTH	1008812
51	4	EA	HINGE 1 1/2" X 3"	0995159
52	6	EA	SCREW TAPPING #10 X 5/8" POH	1010552
53	6	EA	BARREL NUT #10	1040187
54	9	EA	BUMPER BLACK	1039239
55	9	EA	SCREW TAPPING #8 X 1/2" PTH	1008812
56	1	EA	LATCH DRAW SOFT LATCH 4"	1331487
57	6	EA	POP RIVET #1/8" X 1/8"	0192047
58	1	EA	COVER AFT ACCESS FIBERGLASS	2272200
59	1	EA	BUMP PAD 1/2" X 5/8" X 1 1/2"	1068875
60	2	EA	SCREW MACHINE #10-24 X 1 1/4" POH	1008424
61	18	EA	WASHER FLAT #10	0152918
62	18	EA	NUT LOCK #10	1007773
63	2	EA	SCREW MACHINE #10-24 PPH	1341973
64	1	EA	LATCH TRANSOM DOOR	1062884
65	4	EA	SCREW TAPPING #14 X 1" PPH	1008166
66	1	EA	CATCH TRANSOM DOOR RIGHT ANGLE	1078898
67	1	EA	DOOR HOPE BW2600-98 BATT SW SEAFOM	1062652
68	2	EA	SHIM HOPE DOOR STOP	1444064
69	12	EA	WASHER FLAT #10	0152918
70	12	EA	NUT LOCK #10	1007772
71	1	EA	HOOK CABIN DOOR EYE	0986348
72	1	EA	BRACKET DOOR STOP SS	1464080
73	1	EA	PANEL CLOSEOUT R-HOLD STRBD AFT	1070713
74	18	EA	SCREW TAPPING #10 X 1 1/2" POH	1008515
75	3	EA	SCREW TAPPING #10 X 1" PTH	1008739
76	7	EA	ROD HOLDER FLUSH MNT SS W/BW LOGO	1591643
77	2	EA	HINGE BUTT SS 2" X 2 1/2"	163363
78	2	EA	NUT LOCK #8-32 SSC	1009927
79	2	EA	SCREW MACHINE #8-32X1" PPH	1026038
80	1	EA	COVER FUEL TANK FIBERGLASS	2272620
81	20	EA	SCREW TAPPING #10 X 2" PTH	1008754
82	1	EA	CLIP BLACK STORAGE POLE	0580646
83	1	EA	SCREW TAPPING #10 X 1 1/2" PTH	1008747
84	2	EA	ACCESS PLATE POLY PROP TWIST OUT	1016513
85	2	EA	PEGESTAL ALUM 23.5" FLUTED MILLENN	1611631
86	12	EA	SCREW MACHINE #1/4-20 X 1 3/4" PPH	1007889
87	12	EA	WASHER FENDER #1/4"	0189365
88	12	EA	NUT LOCK #1/4-20	1009786
89	2	EA	SEAT HELM BW-00 PED W/COMP CUSH SE	1431477
90				
91	1	EA	BRACE PEGESTAL SEAT ALUM.	1030261
92	2	EA	SCREW MACHINE #1/4-20 X 1 1/2" PPH	1008598
93	2	EA	NUT LOCK #1/4-20	1009786
94	4	EA	CREAT HEAVY DUTY HOLLOW BASE	1027010
95	18	EA	SCREW TAPPING #14 X 1 1/2" PPH	1008392
96	1	EA	DECK PLATE WAIST SS BLK CLR-CODE	1109347
97	3	EA	SCREW TAPPING #10 X 1 1/2" POH	1008515
98	1	EA	LIGHT NAV SURF HORIZONTAL MOUNT CHAIR	0986496
99	6	EA	SCREW TAPPING #8 X 1 1/4" POH	1008556
100	1	EA	RAIL BOW W/O PULPH	1071398
101	24	EA	SCREW TAPPING #14 X 1" PPH	1008580
102	1	EA	CHAFE PLY BW2300R-98 ANCHOR ROLLER	1106764
103	6	EA	SCREW TAPPING #14 X 1" PPH	1008366
104	1	EA	COVER ANCHOR LOCKER FIBERGLASS	042600
105	1	EA	FRAME ANCHOR LOCKER EDGE	1034552
106	2	EA	SCREW TAPPING #8 X 5/8" PTH	1010925
107	1	EA	HANDLE HATCH	1014455
108	2	EA	SCREW MACHINE #1/4-24 X 5/8" POH	1010545
109	2	EA	BARREL NUT	1040187
110	1	EA	BRACKET LIFT CYLINDER OFFSET W/STUD	0985084
111	1	EA	BRACKET LIFT CYLINDER 90° 0.7	0817676
112	4	EA	SCREW TAPPING #8 X 5/8" PTH	1423979
113	1	EA	COVER BOW LOCKER FIBERGLASS	2279200
114	1	EA	HASP SWIVEL FLUSH MOUNT	0995134
115	4	EA	ROD HOLDER FLUSH MNT SS 90DEG W/CAP	1591650
116	2	EA	DRINKHOLDER PLAS W/DRAIN X13 SS BLK	1186129
117	1	EA	PANEL CLOSEOUT R-HOLD PORT FWD	1070697
118	1	EA	PANEL CLOSEOUT R-HOLD STRBD FWD	1070705
119	2	EA	RAIL CABIN LOC 1" X 9"	1090117
120	1	EA	BOLSTER TRANS GATE WHITE	1063197
121	1	EA	SCREW MACHINE #10-24X75" PPH	1026038
122	4	EA	HANSE PIPE 5 1/2" X 1 1/2"	0859056
123	4	EA	SUPPORT BW-01 LEG FLDNG STERN ST L	1601525
124	4	EA	SUPPORT BW-01 LEG FLDNG STERN ST R	1601533
125	1	EA	PANEL HOPE CLOSEOUT R-HOLD PORT AFT	1073595
126	1	EA	CYLINDER GAS SS 20PSI 10 EXT X 7 COMP	1384940
127	4	EA	R-HOLD PLASTIC 2" ID X 3/16" DIA	0860379
128	4	EA	WASHER FLAT #5/16"	0952002
129	4	EA	NUT LOCK #5/16"	1097814
130	5	EA	THRU-HULL PLAS 1.5" TUBE X 90DEG	791673
131	1	EA	DOOR HOPE BW2300R-02 TRANSU	1640051
132	1	EA	HOOK CABIN DOOR 2 CHR/BRZ	996447
133	2	EA	ROD HOLDER HOPE BW2600R-98 UNDER G	1062785
134	2	EA	ROD HOLDER HOPE BW2600R-98 UNDER G	1062795
135	4	EA	SPEAKER COAXIAL EXT 6.5" CMT162	1440544
136	1	EA	PANEL HOPE BW2300R-02 CLSOUT P	1630771
137	1	EA	PANEL HOPE BW2300R-02 CLSOUT S	1630789
138	1	EA	DECK PLATE GAS SS RED CLR-CODE	1109313
139	1	EA	DECK PLATE WATER CHR W/VENT 45DEG	1057454
140	1	EA	BOOT CABLE RING 3" BLK	1043330
141	1	EA	GROMMET CABLE BOOT 3" BLK	1574839
142	1	EA	BOOT CABLE 3" BLK	1043223
143	1	EA	RAIL BOW BW2300R-98 W/PULPH	1071380
144				

Boston Whaler, Inc.

DWG. NO. PB2300R1



CODE	DESCRIPTION	DATE	BY	APP'D
REVISIONS				

OPT:100-70085  
97,98,99  
52,53,54,94,95

UNLESS OTHERWISE SPECIFIED:  
DIMENSIONS ARE IN INCHES  
TOLERANCES  
DECIMALS      ANGULAR  
± .X              ± X  
± .XX             ± .XX

DO NOT SCALE DRAWING

**ASSEMBLY & PARTS IDENT. DOCUMENT**

SCALE	NONE	DRAWN	T.J.L.
DATE	6/2/99	CHKD.	
		DESIGN	
		MFG.	

**ENGINEERING DEPARTMENT**

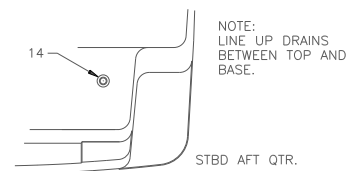
TITLE: **23' OUTRAGE HULL ASSEMBLY**

DWG. NO. PB2300R1

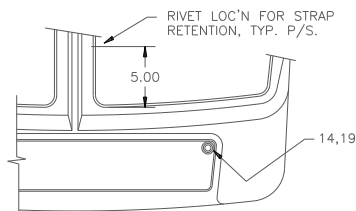
## MODEL YEAR 2002 PARTS LIST

BOAT MODEL: 21' OUTRAGE  
DOCUMENT CONTROL NO.: PB2300R2 HULL ASSEMBLY

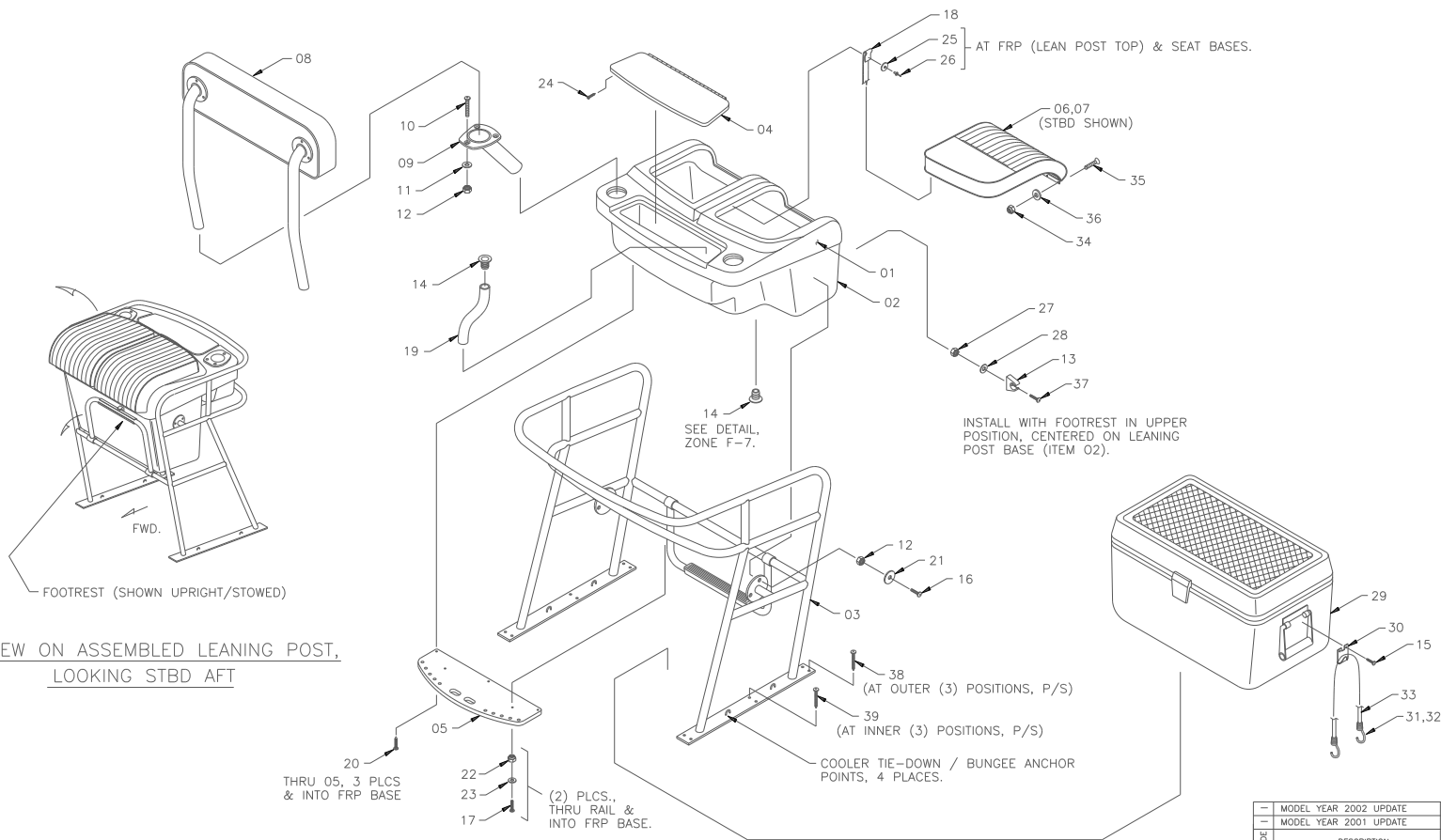
ITEM	QTY	U/M	DESCRIPTION	B.W. NO.
01	1	EA.	TANK FUEL ASSEMBLY	1071448
02	8	EA.	PAD, FUEL TANK	1042449
03	6	EA.	PAD, BRACKET FUEL TANK	1042969
04	12	EA.	SCREW, TAPPING #14A X 1 1/2" PPH	1008697
05	1	EA.	THRU-HULL, BRONZ 3/4"W/NUT X-LONG	1032499
06	1	EA.	STRAINER, MAR 3/4" SCREEN	0995589
07	4	EA.	SCREW, TAPPING #8A X 3/4" POH	0150797
08	2	EA.	SWITCH, FLOAT RULE W/COVER	0989335
09	2	EA.	SCREW, TAPPING #6A X 1 1/4" POH	1008556
10	1	EA.	PUMP, BILGE, 1100GPH	1480094
11	3	EA.	SCREW, TAPPING #8A X 5/8" PTH	1010925
12	6	EA.	THRU-HULL, PVC PRESS FIT	1042084
13	6	EA.	NUT, PVC RETAINING	1042068
14	1	EA.	RUBRAIL, PLASTIC 54' CHR	1020882
15	1	EA.	RUBRAIL, INSERT FLEX CHR 54'	1020841
16	1	EA.	CAP, RUBRAIL END PORT	1105162
17	1	EA.	CAP, RUBRAIL END STRBD	1105170
18	2	EA.	SCREW, TAPPING #10A X 2" PTH	1008754
19	2	EA.	SCREW, TAPPING #10A X 1 1/2" PTH	1008747
20	2	EA.	EYE, LIFTING 5/8" RND CHR	1033075
21	2	EA.	EYE, BOW 1/2" X 4 3/4"	1033091
22	2	EA.	TRIM, TAB ASSEMBLY 9" X 9"	1020395
23	7	FT.	HOSE, FUEL 1.5" TYPE A CLASS 2	0123745
24	4	EA.	SCREW, MACHINE #1/4-20 X 1/2" PPH	1010588
25	8	FT.	HOSE, FUEL 5/8" ISO/GCE	0947499
26	14	EA.	SCREW, TAPPING #14A X 1 1/2" PPH	1008697
27	1	EA.	PUMP, HEAD SYSTEM WASTE DIAPHRAM 12V	1110808
28	4	EA.	SCREW, TAPPING #14A X 1 1/2" PTH	1010109
29	1	EA.	TEE, 1.5 X 1.5 X 1.5 BARB	1037027
30	2	EA.	VALVE CHECK, 1 1/2" BOSWORTH	1031749
31	2	EA.	DRAIN, COCKPIT W/SCREEN	0995118
32	2	EA.	PANEL, HDPE FISHWELL CLOSEOUT	1486570
33	10	EA.	SCREW, TAPPING #10 X 1 1/2" PTH	1008747
34	3	EA.	THRU-HULL, PLASTIC 2" SCUP W/FLAP	0628081
35	1	EA.	THRU-HULL, PLASTIC 1 1/2" W/FLANGE	1042050
36	1	EA.	SHELF, PVC BATTERY GREY	1089994
37	4	EA.	SCREW, TAPPING #10A X 1 1/2" PTH	1008747
38	2	EA.	BATTERY, BOX	0995068
39	4	EA.	BRACKET, BATTERY HOLDDOWN 1 1/4"	1042837
40	2	EA.	STRAP, 1" X 3" HOLDDOWN BLACK	1041128
41	8	EA.	SCREW, TAPPING #10A X 1" POH	1008507
42	1	EA.	CVR, ABS BUS BAR BLACK	1001197
43	1	EA.	BUSS, BAR GROUND COPPER	1030626
44	2	EA.	SCREW, TAPPING #14A X 1" PPH	1008689
45	2	EA.	SCREW, MACHINE #5/16-18X3/4" HEX NUT	0153353
46	2	EA.	WASHER, LOCK/SPLIT 5/16"	0153692
47	2	EA.	NUT, HEX NYLON #5/16-18	0152702
48	1	EA.	BOX, ABS HARNESS	1037530
49	12	EA.	SCREW, TAPPING #8A X 5/8" PTH	1010925
50	2	EA.	SWITCH, BATTERY SELECT W/O LOCK	0162693
51	4	EA.	SCREW, TAPPING #8A X 1" PTH	1008739
52	1	EA.	BOOT, RESET BRKR CLEAR	1066547
53	1	EA.	BREAKER/SWITCH, PUSH BUTTON 50 AMP.	1032457
54	1	EA.	BREAKER, MANUAL RESET 5 AMP.	0670497
55	3	EA.	VENT, CLAMSHHELL ROPE LOCKER	0533430
56	9	EA.	SCREW, TAPPING #8A X 1/2" POH	1010578
57	2	EA.	THRU-HULL PVC, PRESS FIT	1042084
58	2	EA.	NUT, PVC RETAIN THRU-HULL	1042068
59	1	EA.	PUMP, BILGE 800 GPH	0698290
60	3	EA.	SCREW, TAPPING #8A X 5/8" PTH	1010925
61	1	EA.	THRU-HULL, PLASTIC 3/4" WHITE	0182964
62	7	FT.	HOSE, WATER 1 1/8" BLK	1042076
63	1	EA.	COUPLING, PLAS Y 1.5"	1041458
64	1	EA.	PUMP, HEAD SYS MACERATOR W/THERMAL	1624451
65	1	EA.	HEAD, PORTABLE SANI POTTI GREY	0258749
66		EA.	HOSE, SANI/SMOOTH WALL 1.5"	0123844
67		EA.	HOSE, SANI/CHEMICAL TDX 5/8"	0124719
68		EA.	SPRING, VENT 1.05"X12" SS	1041367
69	1	EA.	EYE, BOW 5/8" X 11"	0995415
70	1	EA.	EYE, LIFTING 1/2"	1033091
71	1	EA.	PLATE, B/U U-BOLT	1058999
72	1	EA.	BULKHEAD, HDPE ANCHOR LOCKER	1073287
73	6	EA.	SCREW, TAPPING #10A X 1 1/2" POH	1008515
74	1	EA.	BULKHEAD, CONSOLE PORT SEAFOAM	1070655
75	1	EA.	BULKHEAD, CONSOLE STRBD SEAFOAM	1070648
76	16	EA.	SCREW, TAPPING #10A X 1 1/2" POH	1008507
77	1	EA.	BULKHEAD, HDPE CONSOLE AFT SEAFOAM	1070663
78	10	EA.	SCREW, TAPPING #10A X 1 1/2" POH	1008515
79	2	EA.	FWD ROD HOLDER, UNDER GUN	1062793
80	2	EA.	AFT ROD HOLDER, UNDER GUN	1062785
81	8	EA.	SCREW, TAPPING #10A X 1 1/2" POH	1008515
82	4	EA.	SCREW, TAPPING #10A X 2" PTH	1008754
83	2	EA.	LIGHT, CURTAIN SURF CLEAR GUARD	1062355
84	2	EA.	DRAIN SLEEVE, FLUSH IMPACT 5/8"	0518878
85	1	EA.	ELBOW, MAR 3/4" FPT X 3/4" BARB	0995571
86	2	EA.	NUT, ACORN #1/2-13	1007756
87	1	EA.	SUPPORT, BW2300R-00 AFT CKPT DECK	1334598
88		EA.	SCREW, TAPPING #14 X 2" PPH SC	1008770
89	2	EA.	VALVE, FOOT CHECK 3/4" BARB	1031756
90	1	EA.	GRATE, HDPE FWD SUMP SEA	1078617
91	1	EA.	VENT, FUEL TANK 3/4"	0859157
92	120	EA.	SCREW, TAPPING #10A X 1 1/2" PFH	1009943
93	1	EA.	SHIM, HDPE BW-01 FLOAT SWITCH WHT	1470475
94	1	EA.	LABEL, BW FWD BILGE PUMP	1075431
95	1	EA.	LABEL, BW AFT BILGE PUMP	1075449
96	1	EA.	FOAM, BACKER ROD 7/8" DIA	1041698
97	1	EA.	LABEL, BW STEREO	1075266
98	1	EA.	BREAKER, MANUAL RESET 15A	0670471
99	1	EA.	BOX, ABS BW-00 BRKR	1449834
100	1	EA.	SUPPORT, PLAS RIGGING BW-97 WHT 10'	1043587
101	1	EA.	HOSE, 2" ID RIGGING TUBE BLK	1042399
102	11	EA.	HOSE CLAMP, #10	0263954
103	19	EA.	HOSE CLAMP, #24	0256693



PLAN-VIEW ON LEANING POST BASE.



PLAN-VIEW ON LEANING POST TOP



VIEW ON ASSEMBLED LEANING POST,  
LOOKING STBD AFT

UNLESS OTHERWISE SPECIFIED:  
DIMENSIONS ARE IN INCHES  
TOLERANCES

DECIMALS	ANGULAR
± .X	± X
± .XX	

DO NOT SCALE DRAWING

**ASSEMBLY & PARTS  
IDENT. DOCUMENT**

SCALE	NONE	DRAWN	R. DURHAM
DATE	5/27/99	CHKD.	
		DESIGN	
		MFG.	

ENGINEERING DEPARTMENT

MODEL YEAR	2002 UPDATE	1/21/02	HJR
MODEL YEAR	2001 UPDATE	6/22/00	RC

REVISIONS

CODE	DESCRIPTION	DATE	BY	APPD

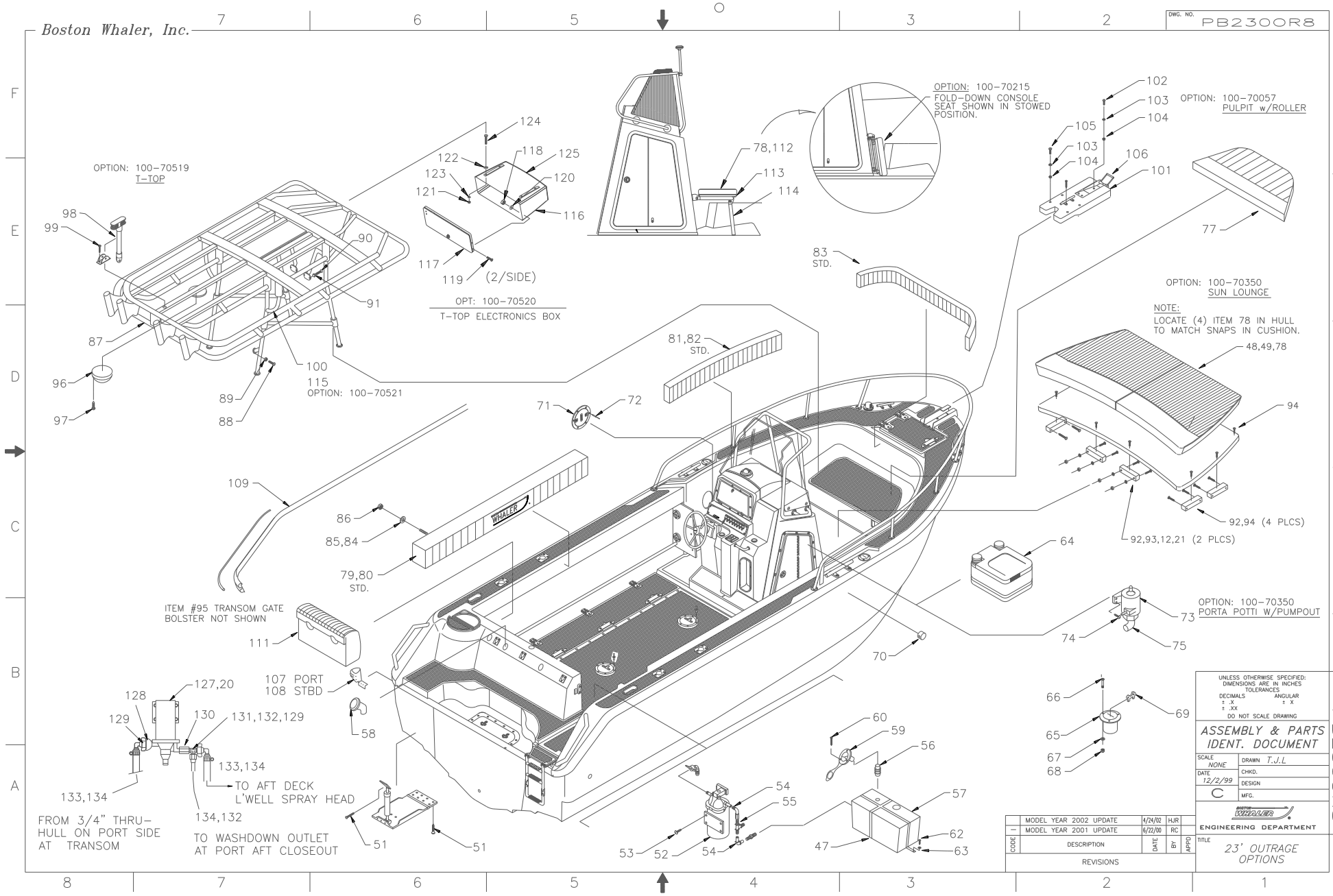
TITLE  
23' OUTRAGE  
LEANING POST/  
COOLER OPTION

DWG. NO. PB2300R9



Boston Whaler, Inc.

DWG. NO. PB2300R8



OPTION: 100-70519  
T-TOP

OPT: 100-70520  
T-TOP ELECTRONICS BOX

OPTION: 100-70215  
FOLD-DOWN CONSOLE  
SEAT SHOWN IN STOWED  
POSITION.

OPTION: 100-70057  
PULPIT w/ROLLER

OPTION: 100-70350  
SUN LOUNGE

NOTE:  
LOCATE (4) ITEM 78 IN HULL  
TO MATCH SNAPS IN CUSHION.

OPTION: 100-70350  
PORTA POTTI W/PUMPOUT

FROM 3/4" THRU-  
HULL ON PORT SIDE  
AT TRANSOM

TO AFT DECK  
L'WELL SPRAY HEAD

TO WASHDOWN OUTLET  
AT PORT AFT CLOSEOUT

UNLESS OTHERWISE SPECIFIED:  
DIMENSIONS ARE IN INCHES  
TOLERANCES  
DECIMALS ± .X  
ANGULAR ± X  
DO NOT SCALE DRAWING

**ASSEMBLY & PARTS  
IDENT. DOCUMENT**

SCALE: NONE DRAWN: T.J.L.  
DATE: 12/2/99 CHKD.:  
DESIGN:  
MFG.:

**EXPRESS**  
ENGINEERING DEPARTMENT

TITLE: 23' OUTRAGE  
OPTIONS

CODE	DESCRIPTION	DATE	BY	APPD
	MODEL YEAR 2002 UPDATE	1/24/02	HJR	
	MODEL YEAR 2001 UPDATE	6/22/00	RC	
REVISIONS				

CODE	DESCRIPTION	DATE	BY	APPD
	MODEL YEAR 2002 UPDATE	1/24/02	HJR	
	MODEL YEAR 2001 UPDATE	6/22/00	RC	
REVISIONS				

TUNWOOD

MODEL YEAR 2001 PARTS LIST

BOAT MODEL: 23' OUTRAGE			
DOCUMENT CONTROL NO: P82300R10			
REV	QTY	DESCRIPTION	REV. NO.
01	1	EA FIBERGLASS PART, LEANING POST TOP	1118132
02	1	EA FIBERGLASS PART, LEANING POST BOTTOM	22J99600
03	1	EA FRAME, BW2600R-98 LEAN POST GRAB RA	1062876
04	1	EA LID, HDPE BW2600R-98 LEAN POST SEAF	1062728
05	EA HOLDER, HDPE BW2600R-98 LEADER/TOOL	1062702	
06	1	EA CUSH, BW2600R-98 LEAN POST STBD	1063148
07	1	EA CUSH, BW2600R-98 LEAN POST PORT WHT	1063155
08	1	EA CUSH, BW230/2600R-98 B/R W/HWR WH	1073956
09	2	EA ROD HOLDER, FLUSH MNT SS W/BW LOCK	1581043
10	6	EA SCREW, MACHINE 1/4-20 x 1.50" PPH	1010438
11	6	EA WASHER, FLAT 1/4" SS	0152926
12	18	EA NUT, HEX NYLON LOCK 1/4-20	1007764
13	1	EA CLIP, LADDER WHITE	1091578
14	2	EA DRAIN SLEEVE, FLUSH IMPACT 5/8" W/BARB	518878
15	6	EA SCREW, TAPPING #8A x 5.8" PTH	1010925
16	1	EA SCREW, MACHINE 1/4-20 x 1"	1008580
17	2	EA SCREW, MACHINE #6-32 x 1.50 PTH	1010719
18	3	FT WEBBING, BW-97 STRAP NYLON 1"	1030105
19	7	FT TUBING, WATER LINE 3/8" ID x 1/2" OD	896605
20	7	EA SCREW, TAPPING #10A x 1" PTH	1006739
21	10	EA WASHER, FENDER 1/4" x 1.25" SS	0189365
22	2	EA NUT, LOCK 8-32 SC	1009927
23	2	EA SCREW, TAPPING #14A x 1.5" PPH SC	1008697
24	12	EA SCREW, TAPPING #6A x 1/2" PPH	1010362
25	4	EA WASHER, FENDER 13/64" x 1" SS	1008846
26	4	EA RIVET, POP/BLIND 3/16" x 5/8" ALUM.	0189415
27	1	EA NUT, LOCK #6-32 SC	1009810
28	1	EA WASHER, FLAT #6 SS	0153858
29	EA COOLER, 940L WHITE	1016435	
30	2	EA HOOK, PLAS COOLER 1/8" WHT.	1043181
31	8	EA CORD, SHOCK BUNGEE CLAMP 3/8" DIA.	1020023
32	8	FT CORD, SHOCK/BUNGEE 3/8" SPRING	1020056
33	8	EA CORD, SHOCK BUNGEE 3/8" BULK BLK	1039528
34	12	EA NUT, HEX NYLON LOCK #10-24	1007772
35	12	EA SCREW, MACHINE #10-24 x 7/8" PPH	1010099
36	12	EA WASHER, FLAT #10 SS	0152918
37	12	EA SCREW, MACHINE #6-32 x 1" PPH	1008671
38	6	EA SCREW, TAPPING #14A x 3" PPH	1010628
39	6	EA SCREW, TAPPING #14A x 1.5" PPH	1008598
48	1	EA CUSHION, SUN LOUNGE FILLER	1324771
49	1	EA SUN LOUNGE	22J96500
50	4	EA NUT, LOCK #1/4-20	1009786
51	7	EA SCREW, TAPPING #14A x 1 1/2" PTH	1008697
52	1	EA PUMP, FRESH WATER SHURLO 2.8CPM IM	1112814
53	4	EA SCREW, TAPPING #14A x 1" PPH	1008689
54	2	EA ELBOW, ACETAL 1/2" MPT X 1/2" FPT	0172551
55	2	EA NUT/RING/CONE, ACETAL 1/2" THICK	0158501
56	1	EA TAILPIECE, MAR 1/2" MPT X 5/8" BARB	0995530
57	1	EA TANK, WATER BW2300R-98 - 9GAL SHOWE	1077890
58	1	EA ACC PART, MERC OIL FILL KIT (DECK)	0733105
59	1	EA WASHDOWN/SPRAYER, VERT MNT WHT W/BW	1612928
60	3	EA SCREW, TAPPING #10A x 3/4" PPH	1010552
61	1	EA WEBBING, STRAP NYLON 1"	1030105
62	4	EA SCREW, TAPPING #10A x 1" PTH	1008739
63	4	EA WASHER, FENDER 1/4" X 1 1/4"	0189365
64	1	EA HEAD, PORTABLE MSD SANI POTTI SLVR	0258748
65	2	EA DECK PLATE, WASTE SS BLK CLR-CODE	1109347
66	4	EA SCREW, MACHINE #10-24 X 1 1/2" PPH	0151548
67	4	EA WASHER, FLAT #10	0152918
68	4	EA NUT, LOCK #10-24	1007772
69	2	EA KEY, DECK PLATE	0522599
70	1	EA VENT, FUEL TANK 3/4"	0859157
71	1	EA ACCESS PLATE, TWIST OUT 6"	1016153
72	1	EA RIVET, POP BLIND #3/16 X 5/8"	0189415
73	1	EA PUMP, HEAD SYS MACERATOR W/THERMAL	1624451
74	4	EA SCREW, TAPPING #14A x 1" PPH	1008689
75	1	EA ELBOW, PVC 1.5 FPT X 1.5 BARB X 90°	0141515
76	1	EA VALVE, MAR W/1" THRU-HULL/BARB 90°	1132208
77	1	EA CUSH, BW2300R-98 BOW WHT/GRY	1071463
78	9	EA SNAP STUD, W/#8 X 3/8" PH BR/NI/SS	0203786
79	1	EA BOLSTER, BW2300R-98 CKPT PORT WHT/G	1071497
80	1	EA BOLSTER, BW2300R-98 CKPT STBD WHT/G	1071505
81	1	EA BOLSTER, BW2300R-98 BOW PORT WHT/GR	1071471
82	1	EA BOLSTER, BW2300R-98 BOW STBD WHT/GR	1071489
83	1	EA BOLSTER, BW2600R-98 BOW CIR WHT/GRY	1063254
84	8	EA WASHER, FLAT #1/4"	0189365
85	8	EA NUT, HEX #1/4-20	1008929
86	8	EA NUT, HEX #1/4-20	0152645
87	1	EA FRAME, BW2300R-98 T-TOP BRUSHED ALU	1079607
88	12	EA SCREW, MACHINE #1/4-20 X 1" PPH	1008580
89	4	EA NUT, LOCK #1/4-20	1009786
90	4	EA SCREW, MACHINE #1/4-20 X 1"	1009950
91	4	EA NUT, ACORN #1/4-20	0152538
92	6	EA CLEAR, SUN LOUNGE FILLER	1324771
93	4	EA SCREW, MACHINE #1/4-20 X 2" PPH	1008614
94	6	EA SCREW, TAPPING #14A X 2" PTH	1008770
95	1	EA BOLSTER, BW2600R-98 TRANS GATE WHT/	1063167
96	1	EA LIGHT, DOME FLUSH	1041268
97	4	EA SCREW, TAPPING #10-24 X 1/2" PPH	1008665
98	1	EA LIGHT, NAV MASTHEAD COMBO VERT	1122563
99	2	EA SCREW, MACHINE #10-24 X 1 1/4" PPH	1008697
100	1	EA OUTRIGERS, TOP GUN ROLLS	1078153
101	1	EA ROLLER, ANCHOR GUARD	1034834
102	4	EA SCREW, MACHINE #10-24 X 1 1/2" PPH	1008598
103	4	EA WASHER, FENDER #1/4" X 1 1/4"	0189365
104	4	EA NUT, ACORN	1007756
105	4	EA SCREW, MACHINE #1/4-20 X 3" PPH	1008622
106	1	EA CHAFE, PLATE ANCHOR ROLLER	1106764
107	1	EA CAP, RUBRAIL BW2300R-98 END PORT	1105162
108	1	EA CAP, RUBRAIL BW2300R-98 END STBD	1105170
109	1	EA RUBRAIL, PLASTIC CHAR 54	1312487
110	7	FT TRIM, VINYL RIGID 1" X 1.5" BLK	1040948
111	1	EA CUSH, BW2600R-98 STERN PORT WHT/GRY	1068972
112	1	EA CUSH, BW210/2300R-99 FOLDING SEAT CN	1185909
113	1	EA FRAME, BW210/2300R-99 FOLDING SEAT C	1185909
114	1	EA BASE, HDPE BW210/2300R-99 FOLDING S	1196690
115	1	EA FRAME, BW2300R-02 T-TOP W/RADIAL QU	1621861
116	1	EA FIBRGLS PART, BWOR-97 ELEC BOX T-TOP	1061873
117	1	EA DOOR, HDPE/PLEX BW-98 T-TOP BOX W/F	1073279
118	6	EA NUT, HEX NYLON LOCK #8-32 SC	1260728
119	6	EA SCREW, MACHINE #8-32 X 1" PTH SC	1008713
120	6	EA WASHER, FLAT #8 SC	1326297
121	1	EA NUT, LOCK #1/4-20 SC STD PATT	1009786
122	1	EA BUMPER, BLACK	1039239
123	1	EA WASHER, FLAT #1/4" SS	152926
124	1	EA SCREW, MACHINE #1/4-20 X 1" PPH	1008580
125	1	EA SCREW, CAP #1/4-20 X 1.25" HEX	153262
126	1	EA DECAL, BW OUTRAGE DK GRAY HIBOS	998732
127	1	EA PUMP, RAW WATER	1043736
128	1	EA FILTER, IN-LINE WATER 1/2" FPT	406110
129	1	EA ADAPTER, 1/2" FPT X 3/4" HOSE	1037092
130	1	EA COUPLING, 1/2" FPT	155978
131	1	EA TEE, 1/2" MPT	206003
132	1	EA NUT/RING/CONE SET	158501
133	1	EA HOSE, 3/4" WATER	1042100
134	1	EA TUBING, WATER LINE 3/8" ID X 1/2" OD	896605
135	1	EA X	X
136	1	EA X	X