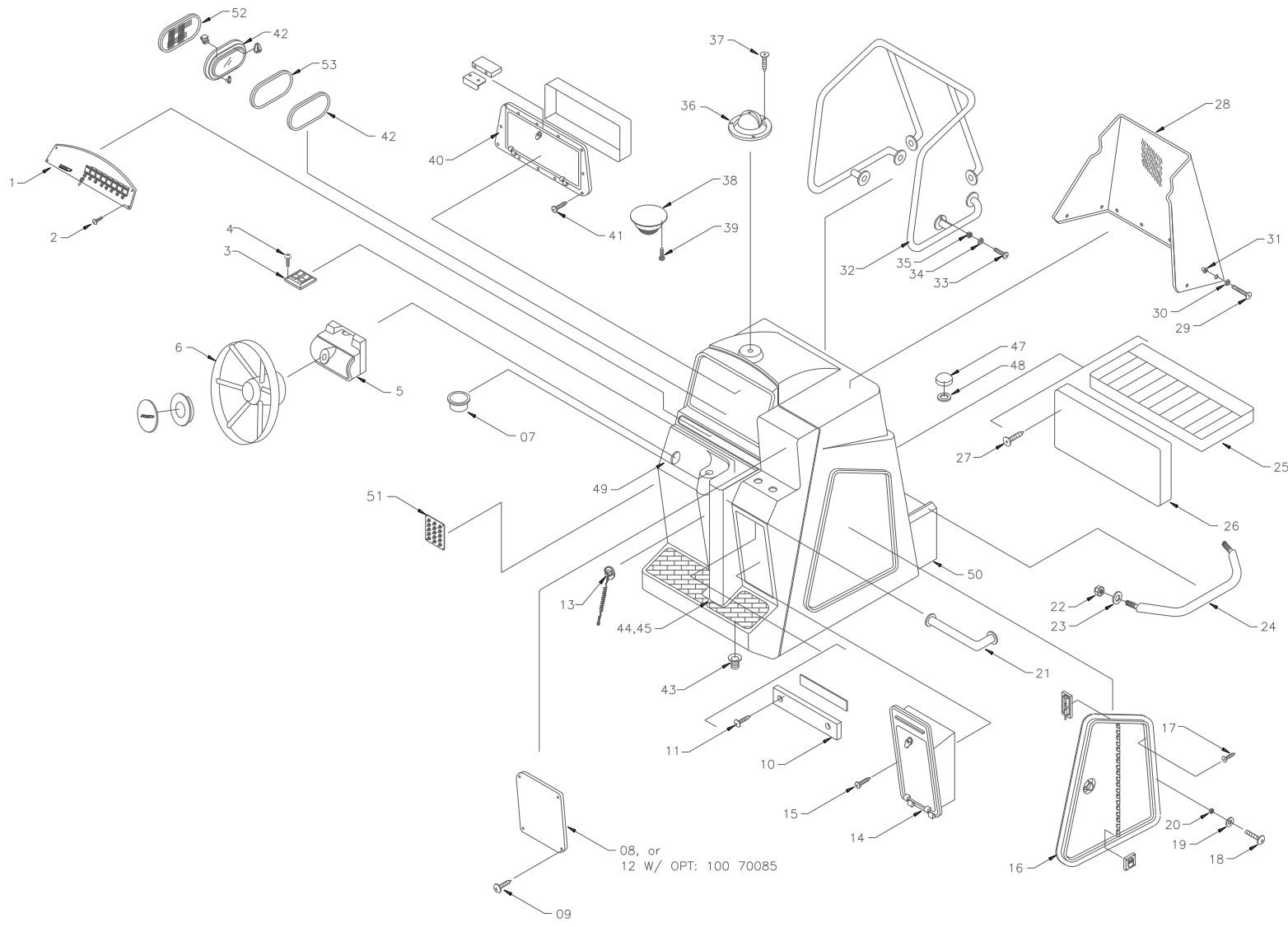


Boston Whaler, Inc.

DWG. NO. PB2600R6



UNLESS OTHERWISE SPECIFIED:
 DIMENSIONS ARE IN INCHES
 TOLERANCES
 DECIMALS ANGULAR
 ± .X ± X
 ± .XX ± X
 DO NOT SCALE DRAWING

ASSEMBLY & PARTS IDENT. DOCUMENT

SCALE: NONE DRAWN: T.J.L.
 DATE: 6/3/99 CHKD.:
 DESIGN:
 MFG.:
 C

ENGINEERING DEPARTMENT

MODEL YEAR	2002 UPDATE	4/21/02	HR
CODE	DESCRIPTION	DATE	BY
	REVISIONS		APPD

TITLE: 26' OUTRAGE CONSOLE ASSEMBLY

UNION MADE

MODEL YEAR 2002 PARTS LIST

BOAT MODEL: 26' OUTRAGE
DOCUMENT CONTROL NO: PB2600R7

ITEM	QTY.	U/M	DESCRIPTION	B.W.I. NO.
01	1	EA.	PANEL, BLANK:BW230/2600R-01 W/SWITCHES	1452424
02	10	EA.	SCREW, TAPPING #8A X 1/2" PTH	1008812
03	1	EA.	TRIM TAB, ASSY 9X9 BW2400R-97	1020403
04	4	EA.	SCREW, TAPPING #6A X 1/2" PTH	1008796
05	1	EA.	STEERING, HELM PUMP SEA STAR I TILT	0317032
06	1	EA.	STEERING, WHEEL 15" DIA. 25°	1020197
07	3	EA.	DRINK HOLDER, PLASTIC W/DRAIN	1186329
08	1	EA.	PANEL, ELECTRONICS ASSEMBLY	1063023
09	4	EA.	SCREW, TAPPING #8A X 5/8" PTH	1010925
10	2	EA.	BUSS, BAR BONDING SYSTEM	1031798
11	4	EA.	SCREW, TAPPING #10A X 3/4" PTH	1008762
12	1	EA.	PANEL ELECTRONICS ASSY., W/ STEREO	1627843
13	1	EA.	ACC PART, MERC SWITCH (SAFETY ASSY)	882605
14	1	EA.	BIN, HDPE FLEX	1062520
15	6	EA.	SCREW, TAPPING #10A X 1" PTH	1008739
16	1	EA.	DOOR, HDPE CONSOLE STBD	1062686
17	10	EA.	SCREW, TAPPING #8A X 3/4" PFH	1008408
18	10	EA.	SCREW, MACHINE #8-32 x 1.25" PTH	1008721
19	10	EA.	WASHER, FLAT #8	0152900
20	10	EA.	LOCK, NUT #8-32	1009927
21	1	EA.	RAIL, GRAB CONSOLE	1062934
22	5	EA.	NUT, HEX NYLON LOCK #5/16-18	1007814
23	5	EA.	WASHER, FENDER #5/16" X 1 1/2"	0952002
24	2	EA.	RAIL, GRAB 11" X 11" W/STUD	1008960
25	1	EA.	CUSHION, CONSOLE BASE WHITE/GREY	1063080
26	1	EA.	CUSHION, CONSOLE B/R WHITE/GREY	1063098
27	4	EA.	SCREW, TAPPING #10A X 1 1/2" POH	1008515
28	1	EA.	WINDSHIELD, CONSOLE	1063072
29	8	EA.	SCREW, MACHINE #10-32 X 1 1/4" PFH	1010107
30	8	EA.	WASHER, FINISH #10	0896258
31	8	EA.	NUT WELL, #10-32 LONG	1037050
32	1	EA.	RAIL GRAB, CONSOLE WINDSHEILD	1062918
33	18	EA.	SCREW, MACHINE #1/4-20 X 1" PPH	1008580
34	18	EA.	WASHER, FINISH #1/4" X 1 1/4"	0189365
35	18	EA.	NUT, LOCK #1/4-20	1009786
36	1	EA.	COMPASS, FLUSH MOUNT BLACK	0141788
37	4	EA.	SCREW, TAPPING #6A X 1/2" PFH	1010362
38	1	EA.	LIGHT, DOME EXTERIOR 4" WHITE	0996488
39	4	EA.	SCREW, TAPPING #10A X 3/4" PTH	1008762
40	1	EA.	BOX, HDPE ELECTRONICS	1062538
41	12	EA.	SCREW, TAPPING #10A X 3/4" PTH	1008762
42	1	EA.	PORTLIGHT, ELLIPSE 6" x 16" WHT	1244409
43	1	EA.	DRAIN, 1" IMPACT W/O BARB BLACK	1041953
44	1	EA.	RUBBER PAD, CONSOLE PORT	1062959
45	1	EA.	RUBBER PAD, CONSOLE STRBD	1062967
46	1	EA.	LIGHT, NAV MASTHEAD COMBO HORZ.	1089986
47	7	EA.	SNAP CAP, PLASTIC WHITE	1031301
48	7	EA.	SNAP CAP, PLAS CLEAR WASHER	1246727
49	1	EA.	FIBERGLASS PART, CONSOLE AFT.	1062447
50	1	EA.	FIBERGLASS PART, CONSOLE FWD	1062439
51	1	EA.	PANEL, BW230/2600R-01 BRKR	1453067
52	1	EA.	SCREEN, PORTHOLD ELLIPSE BOWMAR	1508738
53	1	EA.	PORTLIGHT ASKET, 3/8" SATURATED FOAM	1615194

MODEL YEAR 2002 PARTS LIST

BOAT MODEL: 26' OUTRAGE
DOCUMENT CONTROL NO: PERFORMER DECK ASSEMBLY

ITEM	QTY	UOM	DESCRIPTION	PART NO.
01	2	EA	COVER, FISHWELL	22,62800
02	18	EA	HINGE, DOOR SS 1.5" X 1" THIN LINE	1617435
03	12	EA	SCREW, TAPPING #10A X 5/8" POH	1010552
04	12	EA	NUT, BBL #10-24 X 3/8" PH	1040187
05	8	EA	SCREW, TAPPING #10A X 3/4" POH	1010552
06	1	EA	COVER, LIVEWELL	1062645
07	1	EA	HINGE, BWC07/OR-00 FOLDING SEAT LEFT	1423953
08	1	EA	HINGE, BWC07/OR-00 FOLDING SEAT RIGHT	1423961
09	2	EA	SCREW, TAPPING #8A X 1/2" PTH	1008796
10	1	EA	THRU-HULL, PLAS 3/4" X 90DEG WHT	146668
11	1	EA	CUSH, BW230/2600R-98 B/R W/HDRW WHT	1073956
12	1	EA	CUSH, BW2600R-98 STERN SEAT B/R WHT	1063114
13	20	EA	SCREW, TAPPING #6A X 1/2" PPH	1010362
14	1	EA	CUSH, BW2600R-98 STERN SEAT BASE	1063106
15	8	EA	SCREW, TAPPING #10A X 1" PTH	1008739
16	X	EA	X	X
17	8	EA	SCREW, MACHINE #1/4-20 X 1" PPH	1008880
18	2	EA	SCREW, TAPPING #8A X 5/8" PTH	1010925
19	1	EA	LIGHT, STERN PLUG IN 2"	1035229
20	1	EA	LIGHT, NAV STERN BASE ROUND CHAIR	0331151
21	2	EA	SCREW, TAPPING #8A X 1/4" POH	1008556
22	2	EA	ROD HOLDER, FLUSH MNT SS W/BW LOGO	1501643
23	211	EA	SCREW, MACHINE #1/4-20 X 1 1/2" POH	1010435
24	21	EA	WASHER, FLAT #1/4-20	0152926
25	21	EA	HEX NUT #1/4-20	0151645
26	5	EA	DRAIN, ELBOW 90DEG 1.5"W/FLANGE/NUT	1041961
27	1	EA	PUMP, WATER	1043736
28	4	EA	SCREW, TAPPING #10A X 1" PTH	1008739
29	1	EA	ELBOW, ACETAL 1/2" MPT X 90°	0158477
30	1	EA	TEE, ACETAL 1/2" MPT	0206003
31	2	EA	ELBOW, ACETAL 1/2" MPT X 1/2" FPT X 90°	0172951
32	2	EA	ELBOW, PVC 1/2" FPT SWIWL X 3/4" BAR	0626101
33	2	EA	HINGE, BUTT 2" X 2"	169383
34	8	EA	SCREW, TAPPING #10A X 5/8" POH	1010552
35	1	EA	BRACKET, ALUM BW2600R-00 L SEAT GAS	1423289
36	2	EA	SCREW, MACHINE #10-24-1 3/4" PPH	1341973
37	2	EA	SCREW, MACHINE #10-24-75" PPH	1026038
38	1	EA	TRIM, WVL RIGID 1" X 1/2" BLACK	1049488
39	3	EA	SCREW, TAPPING #10A X 1" PTH	1008739
40	1	EA	UTILITY, HATCH 1.5" X 2.5"	0682302
41	118	EA	POP, RIVET 3/16" X 5/8"	0189415
42	1	EA	LADDER, TELESCOPING	1034859
43	4	EA	SCREW, MACHINE #1/4-20 X 1 1/2" PPH	1008598
44	4	EA	WASHER, FLAT #1/4"	0189305
45	4	EA	NUT, LOCK #1/4-20	1009786
46	1	EA	COVER, SWM LADDER	2271900
47	2	EA	STOP, DOOR HOLDER RBR BLUE	1142448
48	1	EA	BRACKET, DOOR STOP SS	1464080
49	1	EA	COVER, AFT ACCESS	2272200
50	4	EA	BUMPER, BLACK	1039339
51	4	EA	SCREW, MACHINE #8-32 X 1" PTH	1008713
52	4	EA	WASHER, FLAT #8	0152900
53	4	EA	NUT, LOCK #8-32	1009927
54	1	EA	DOOR, HDPE BW2600R-02 TRNSM	1640096
55	1	EA	LATCH, SS TRANS DOOR W/O CATCH	1062884
56	4	EA	SCREW, TAPPING #14A X 1" PPH	1008366
57	2	EA	SCREW, MACHINE #10-24 X 1 1/4" POH	1008424
58	2	EA	SHM, HDPE DOOR STOP	1464064
59	1	EA	DOOR, BATTERY SWITCH	1062652
60	10	EA	SCREW, MACHINE #10-24 X 1" POH	1010446
61	10	EA	WASHER, FLAT #10	0152918
62	10	EA	NUT, LOCK #10	1007772
63	2	EA	HAWSE PIPE 5 1/2" X 2 1/2" X 4"	0858066
64	4	EA	SCREW, MACHINE #10-24 X 1 1/4" POH	1008424
65	4	EA	WASHER, FLAT #10	0152918
66	4	EA	NUT, LOCK #10	1007772
67	1	EA	PANEL, HDPE BW2600R-98 CLSOUT R-HLD	1062511
68	3	EA	SCREW, TAPPING #10A X 1 1/2" POH	1008515
69	1	EA	PANEL, CLOSEOUT STRBD FWD	1062777
70	3	EA	SCREW, TAPPING #10A X 1 1/2" POH	1008515
71	1	EA	COVER, FUEL TANK	22,62700
72	20	EA	SCREW, TAPPING #10A X 2" PTH	1008754
73	2	EA	ACCESS PLATE, TWIST OUT 8"	1068659
74	12	EA	POP, RIVET #3/16" X 5/8"	0189415
75	1	EA	BOX, ABS BW-97 FIRE EXT LONG WHT	1037480
76	6	EA	SCREW, TAPPING #8A X 5/8" PTH	1010925
77	2	EA	CLIF, 8" HEAVY DUTY	1027010
78	14	EA	SCREW, TAPPING #1/4-20 X 1" PPH	1009950
79	1	EA	COVER, BOW STORAGE STRBD	22,63000
80	1	EA	DRAIN, HATCH 3/4" BAR W/NUT 90°	1055811
81	2	EA	LIGHT, NAV SURF HORIZ	0996496
82	4	EA	SCREW, TAPPING #14A X 1" PPH	1008366
83	1	EA	DANT, ANCHOR SS W/ROLLER 340R-01	1592319
84	4	EA	SCREW, TAPPING #14A X 1 1/2" PTH	1010109
85	1	EA	RAIL, BOW BW2600R-98 1" SS	1062892
86	40	EA	SCREW, TAPPING #14A X 1" PPH	1008366
87	1	EA	CHAFE, PLY BW2600R-98 ANCHOR BOW PU	1065200
88	4	EA	SCREW, TAPPING #10A X 3/4" POH	1010552
89	1	EA	CHAFE, PLY BW2600R-98 SS	1062843
90	4	EA	SCREW, TAPPING #14A X 1" PPH	1008366
91	1	EA	COVER, ANCHOR LOCKER	22,63200
92	3	EA	HANDLE, SS BW2100R-97 HATCH	1014455
93	2	EA	SCREW, MACHINE #10-24 X 5/8" POH	1010545
94	2	EA	NUT, BARREL	1040187
95	1	EA	FRAME, ANCHOR LOCKER EDGE	1045529
96	2	EA	SCREW, TAPPING #8A X 5/8" PTH	1010925
97	4	EA	BRACKET, SS LFT CYL 90DEG 0.70" W/ STUD	0817676
98	6	EA	SCREW, TAPPING #8A X 1/2" PTH	1008512
99	2	EA	CYLINDER, GAS 120PSI 26.3" EXT X 16"	864173
100	2	EA	BRACKET, OFFSET	0995084
101	1	EA	COVER, END LOCKER	22,63100
102	1	EA	L-SEAT	22,62900
103	2	EA	HASP, SWIVEL MOUNT	0995134
104	2	EA	SCREW, TAPPING #8A X 1/2" PTH	1010925
105	2	EA	SCREW, TAPPING #8A X 3/4" PTH	1008408
106	2	EA	DRINKHOLDER, PLAS W/DRAIN XLG SZ BLK	1186329
107	4	EA	ROD HOLDER, FLUSH MNT SS 90DEG W/CA	0516650
108	12	EA	SCREW, MACHINE #10-24 X 1 1/2" POH	0151548
109	12	EA	WASHER, FLAT #10	0152918
110	12	EA	NUT, LOCK #10-24	1007772
111	1	EA	ACCESS PLATE, POLYPROP TWIST-OUT 5"	1016153
112	6	EA	POP, RIVET #3/16" X 5/8"	0189415
113	1	EA	DECK PLATE, GAS SS RED CLR-CODE	1193113
114	1	EA	CYLINDER, GAS, 120PSI	864173
115	1	EA	EA	
116	1	EA	PANEL, HDPE BW2600R-98 CLSOUT BULKH	1062777
117	10	EA	SCREW, TAPPING #10A X 1 1/2" POH	1008515
118	1	EA	CUSH,HW 2600R-98 B/R BOW PRT WHT/GC	1063371
119	1	EA	CUSH,BW2600R-98 B/R BOW STRB WHT/GC	1063199
120	1	EA	BOLSTER, BW2600R-98 TRANS GATE WHI/	1063197
121	1	EA	EA	
122	1	EA	CORD SET, 120V/30A 50FT POWERCORD	1244367
123	9	EA	WASHER, FLAT #1/4"	0152926
124	9	EA	WASHER, STAR	1008929
125	9	EA	NUT, HEX #1/4-20	0152645
126	1	EA	INLET, SHORE POWER 125V/30A	1039213
127	1	EA	PANEL, BW2600R-01 SHORE PWR 120V	1452291
128	1	EA	PANEL, 90PSI CLSOUT PORT	1432488
129	1	EA	PANEL, HDPE BW2600R-98 CLSOUT PORT FWD	1062744
130	1	EA	PANEL, HDPE BW2600R-98 CLSOUT R-HLD	1062736
131	1	EA	RAIL, GRAB BW1300R-97 1 1/2" SS W/SI	1008890
132	1	EA	DRAIN, ELBOW 90DEG 1.5"W/FLANGE/NUT	1041961
133	1	EA	HOSE, SANV SMOOTH NAL 1.5"	121344
134	1	EA	CLAMP, HOSE #1/4" 1 1/2" SS 505	238693
135	1	EA	TEE, PVC 1.5" BARB X 1.5" BARB X 1.5"	1037027
136	1	EA	LIGHT, COURTEST WAIRPROOF FRONT MNT W/NUT	1078625
			NOT SHOWN	
6	EA	SCREW, OHMS #10-24 X 3/4"	1008440	
2	EA	WASHER, FLAT #10	1008853	
1	EA	DECAL, BW LOGO 28" FIRE RED	0981104	
1	EA	DECAL, BK HARPOON PORT FIRE RED	0988559	
1	EA	DECAL, BW HARPOON, STRBD FIRE RED	0988609	
2	EA	DECAL, BW OUTRAGE 14" DK GRAY	0988724	
2	EA	DECAL, BW OUTRAGE DK GRAY HIBOSCAL	0988732	

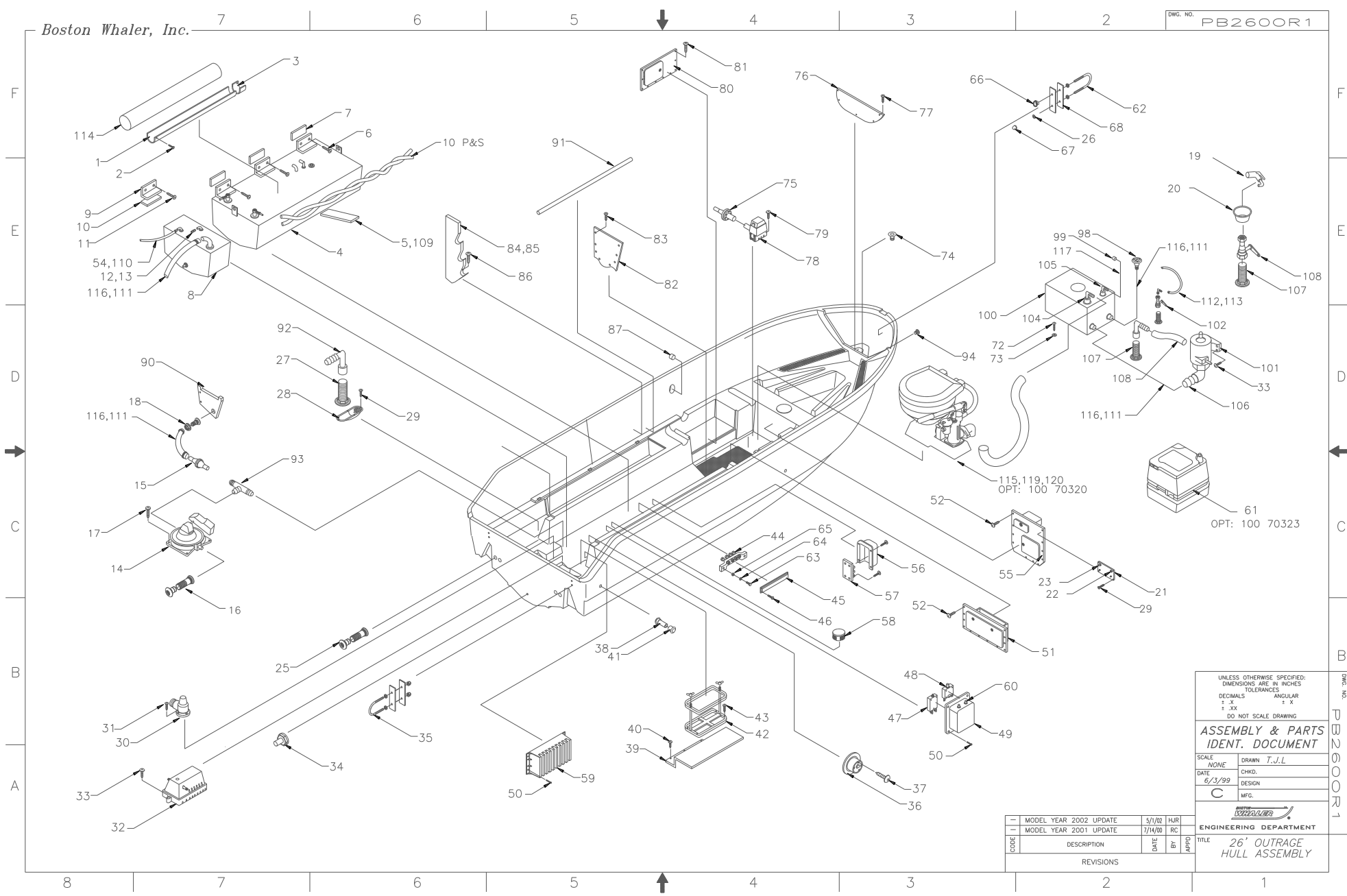
MODEL YEAR 2002 PARTS LIST

BOAT MODEL: 26' OUTRAGE
DOCUMENT CONTROL NO: PERFORMER DECK ASSEMBLY

ITEM	QTY	UOM	DESCRIPTION	PART NO.
01	2	EA	COVER, FISHWELL	22,62800
02	18	EA	HINGE, DOOR SS 1.5" X 1" THIN LINE	1617435
03	12	EA	SCREW, TAPPING #10A X 5/8" POH	1010552
04	12	EA	NUT, BBL #10-24 X 3/8" PH	1040187
05	8	EA	SCREW, TAPPING #10A X 3/4" POH	1010552
06	1	EA	COVER, LIVEWELL	1062645
07	1	EA	HINGE, BWC07/OR-00 FOLDING SEAT LEFT	1423953
08	1	EA	HINGE, BWC07/OR-00 FOLDING SEAT RIGHT	1423961
09	2	EA	SCREW, TAPPING #8A X 1/2" PTH	1008796
10	1	EA	THRU-HULL, PLAS 3/4" X 90DEG WHT	146668
11	1	EA	CUSH, BW230/2600R-98 B/R W/HDRW WHT	1073956
12	1	EA	CUSH, BW2600R-98 STERN SEAT B/R WHT	1063114
13	20	EA	SCREW, TAPPING #6A X 1/2" PPH	1010362
14	1	EA	CUSH, BW2600R-98 STERN SEAT BASE	1063106
15	8	EA	SCREW, TAPPING #10A X 1" PTH	1008739
16	X	EA	X	X
17	8	EA	SCREW, MACHINE #1/4-20 X 1" PPH	1008880
18	2	EA	SCREW, TAPPING #8A X 5/8" PTH	1010925
19	1	EA	LIGHT, STERN PLUG IN 2"	1035229
20	1	EA	LIGHT, NAV STERN BASE ROUND CHAIR	0331151
21	2	EA	SCREW, TAPPING #8A X 1/4" POH	1008556
22	2	EA	ROD HOLDER, FLUSH MNT SS W/BW LOGO	1501643
23	211	EA	SCREW, MACHINE #1/4-20 X 1 1/2" POH	1010435
24	21	EA	WASHER, FLAT #1/4-20	0152926
25	21	EA	HEX NUT #1/4-20	0151645
26	5	EA	DRAIN, ELBOW 90DEG 1.5"W/FLANGE/NUT	1041961
27	1	EA	PUMP, WATER	1043736
28	4	EA	SCREW, TAPPING #10A X 1" PTH	1008739
29	1	EA	ELBOW, ACETAL 1/2" MPT X 90°	0158477
30	1	EA	TEE, ACETAL 1/2" MPT	0206003
31	2	EA	ELBOW, ACETAL 1/2" MPT X 1/2" FPT X 90°	0172951
32	2	EA	ELBOW, PVC 1/2" FPT SWIWL X 3/4" BAR	0626101
33	2	EA	HINGE, BUTT 2" X 2"	169383
34	8	EA	SCREW, TAPPING #10A X 5/8" POH	1010552
35	1	EA	BRACKET, ALUM BW2600R-00 L SEAT GAS	1423289
36	2	EA	SCREW, MACHINE #10-24-1 3/4" PPH	1341973
37	2	EA	SCREW, MACHINE #10-24-75" PPH	1026038
38	1	EA	TRIM, WVL RIGID 1" X 1/2" BLACK	1049488
39	3	EA	SCREW, TAPPING #10A X 1" PTH	1008739
40	1	EA	UTILITY, HATCH 1.5" X 2.5"	0682302
41	118	EA	POP, RIVET 3/16" X 5/8"	0189415
42	1	EA	LADDER, TELESCOPING	1034859
43	4	EA	SCREW, MACHINE #1/4-20 X 1 1/2" PPH	1008598
44	4	EA	WASHER, FLAT #1/4"	0189305
45	4	EA	NUT, LOCK #1/4-20	1009786
46	1	EA	COVER, SWM LADDER	2271900
47	2	EA	STOP, DOOR HOLDER RBR BLUE	1142448
48	1	EA	BRACKET, DOOR STOP SS	1464080
49	1	EA	COVER, AFT ACCESS	2272200
50	4	EA	BUMPER, BLACK	1039239
51	4	EA	SCREW, MACHINE #8-32 X 1" PTH	1008713
52	4	EA	WASHER, FLAT #8	0152900
53	4	EA	NUT, LOCK #8-32	1009927
54	1	EA	DOOR, HDPE BW2600R-02 TRNSM	1640096
55	1	EA	LATCH, SS TRANS DOOR W/O CATCH	1062884
56	4	EA	SCREW, TAPPING #14A X 1" PPH	1008366
57	2	EA	SCREW, MACHINE #10-24 X 1 1/4" POH	1008424
58	2	EA	SHM, HDPE DOOR STOP	1464064
59	1	EA	DOOR, BATTERY SWITCH	1062652
60	10	EA	SCREW, MACHINE #10-24 X 1" POH	1010446
61	10	EA	WASHER, FLAT #10	0152918
62	10	EA	NUT, LOCK #10	1007772
63	2	EA	HAWSE PIPE 5 1/2" X 2 1/2" X 4"	0858066
64	4	EA	SCREW, MACHINE #10-24 X 1 1/4" POH	1008424
65	4	EA	WASHER, FLAT #10	0152918
66	4	EA	NUT, LOCK #10	1007772
67	1	EA	PANEL, HDPE BW2600R-98 CLSOUT R-HLD	1062511
68	3	EA	SCREW, TAPPING #10A X 1 1/2" POH	1008515
69	1	EA	PANEL, CLOSEOUT STRBD FWD	1062777
70	3	EA	SCREW, TAPPING #10A X 1 1/2" POH	1008515
71	1	EA	COVER, FUEL TANK	22,62700
72	20	EA	SCREW, TAPPING #10A X 2" PTH	1008754
73	2	EA	ACCESS PLATE, TWIST OUT 8"	1068659
74	12	EA	POP, RIVET #3/16" X 5/8"	0189415
75	1	EA	BOX, ABS BW-97 FIRE EXT LONG WHT	1037480
76	6	EA	SCREW, TAPPING #8A X 5/8" PTH	1010925
77	2	EA	CLIF, 8" HEAVY DUTY	1027010
78	14	EA	SCREW, TAPPING #1/4-20 X 1" PPH	1009950
79	1	EA	COVER, BOW STORAGE STRBD	22,63000
80	1	EA	DRAIN, HATCH 3/4" BARB W/NUT 90°	1055811
81	2	EA	LIGHT, NAV SURF HORIZ	0996496
82	4	EA	SCREW, TAPPING #14A X 1" PPH	1008366
83	1	EA	DANT, ANCHOR SS W/ROLLER 3408-01	1592319
84	4	EA	SCREW, TAPPING #14A X 1 1/2" PTH	1010109
85	1	EA	RAIL, BOW BW2600R-98 1" SS	1062892
86	40	EA	SCREW, TAPPING #14A X 1" PPH	1008366
87	1	EA	CHAFE, PLY, BW2600R-98 ANCHOR BOW PU	1065200
88	4	EA	SCREW, TAPPING #10A X 3/4" POH	1010552
89	1	EA	CHAFE, PLY, BW2600R-98 SS	1062843
90	4	EA	SCREW, TAPPING #14A X 1" PPH	1008366
91	1	EA	COVER, ANCHOR LOCKER	22,63200
92	3	EA	HANDLE, SS BW2100R-97 HATCH	1014455
93	2	EA	SCREW, MACHINE #10-24 X 5/8" POH	1010545
94	2	EA	NUT, BARREL	1040187
95	1	EA	FRAME, ANCHOR LOCKER EDGE	1045252
96	2	EA	SCREW, TAPPING #8A X 5/8" PTH	1010925
97	4	EA	BRACKET, SS LFT CYL 90DEG 0.70" W/ STUD	0817676
98	6	EA	SCREW, TAPPING #8A X 1/2" PTH	1008512
99	2	EA	CYLINDER, GAS 120PSI 26.3" EXT X 16"	864173
100	2	EA	BRACKET, OFFSET	0995084
101	1	EA	COVER, END LOCKER	22,63100
102	1	EA	L-SEAT	22,62900
103	2	EA	HASP, SWIWL MOUNT	0995134
104	2	EA	SCREW, TAPPING #8A X 1/2" PTH	1010925
105	2	EA	SCREW, TAPPING #8A X 3/4" PTH	1008408
106	2	EA	DRINKHOLDER, PLAS W/DRAIN XLG SZ BLK	1186329
107	4	EA	ROD HOLDER, FLUSH MNT SS 90DEG W/CA	0516650
108	12	EA	SCREW, MACHINE #10-24 X 1 1/2" POH	0151548
109	12	EA	WASHER, FLAT #10	0152918
110	12	EA	NUT, LOCK #10-24	1007772
111	1	EA	ACCESS PLATE, POLYPROP TWIST-OUT 5"	1016153
112	6	EA	POP, RIVET #3/16" X 5/8"	0189415
113	1	EA	DECK PLATE, GAS SS RED CLR-CODE	1193113
114	1	EA	CYLINDER, GAS, 120PSI	864173
115	1	EA	EA	
116	1	EA	PANEL, HDPE BW2600R-98 CLSOUT BULKH	1062777
117	10	EA	SCREW, TAPPING #10A X 1 1/2" POH	1008515
118	1	EA	CUSH,HW 2600R-98 B/R BOW PRT WHT/GC	1063371
119	1	EA	CUSH,BW2600R-98 B/R BOW STRB WHT/GC	1063199
120	1	EA	BOLSTER, BW2600R-98 TRANS GATE WHI/	1063197
121	1	EA	EA	
122	1	EA	CORD SET, 120V/30A 50FT POWERCORD	1244367
123	9	EA	WASHER, FLAT #1/4"	0152926
124	9	EA	WASHER, STAR	1008929
125	9	EA	NUT, HEX #1/4-20	0152645
126	1	EA	INLET, SHORE POWER 125V/30A	1039213
127	1	EA	PANEL, BW2600R-01 SHORE PWR 120V	1452291
128	1	EA	PANEL, 90PSI CLSOUT PORT	1432488
129	1	EA	PANEL, HDPE BW2600R-98 CLSOUT PORT FWD	1062744
130	1	EA	PANEL, HDPE BW2600R-98 CLSOUT R-HLD	1062736
131	1	EA	RAIL, GRAB BW1300A-97 1 1/2" SS W/SI	1008690
132	1	EA	DRAIN, ELBOW 90DEG 1.5"W/FLANGE/NUT	1041961
133	1	EA	HOSE, SANV SMOOTH NAL, 1 1/2"	121344
134	1	EA	CLAMP, HOSE #1/4" 1 1/2" SS 505	238693
135	1	EA	TEE, PVC 1.5" BARB X 1.5" BARB X 1.5"	1037027
136	1	EA	LIGHT, COURTEST WAIRPROOF FRONT MNT W/NUT	1078625
			NOT SHOWN	
6	EA	SCREW, OHMS #10-24 X 3/4"	1008440	
2	EA	WASHER, FLAT #10	1008853	
1	EA	DECAL, BW LOGO 28" FIRE RED	0981104	
1	EA	DECAL, BK HARPOON PORT FIRE RED	0998559	
1	EA	DECAL, BW HARPOON, STRBD FIRE RED	0998609	
2	EA	DECAL, BW OUTRAGE 14" DK GRAY	0998724	
2	EA	DECAL, BW OUTRAGE DK GRAY HIBOSCAL	0998732	

Boston Whaler, Inc.

DWG. NO. PB2600R1



UNLESS OTHERWISE SPECIFIED:
 DIMENSIONS ARE IN INCHES
 TOLERANCES
 DECIMALS ANGULAR
 ± .X ± X
 ± .XX ± .XX
 DO NOT SCALE DRAWING

ASSEMBLY & PARTS IDENT. DOCUMENT

SCALE: NONE DRAWN: T.J.L.
 DATE: 6/3/99 CHKD.:
 DESIGN:
 MFG.: C

ENGINEERING DEPARTMENT

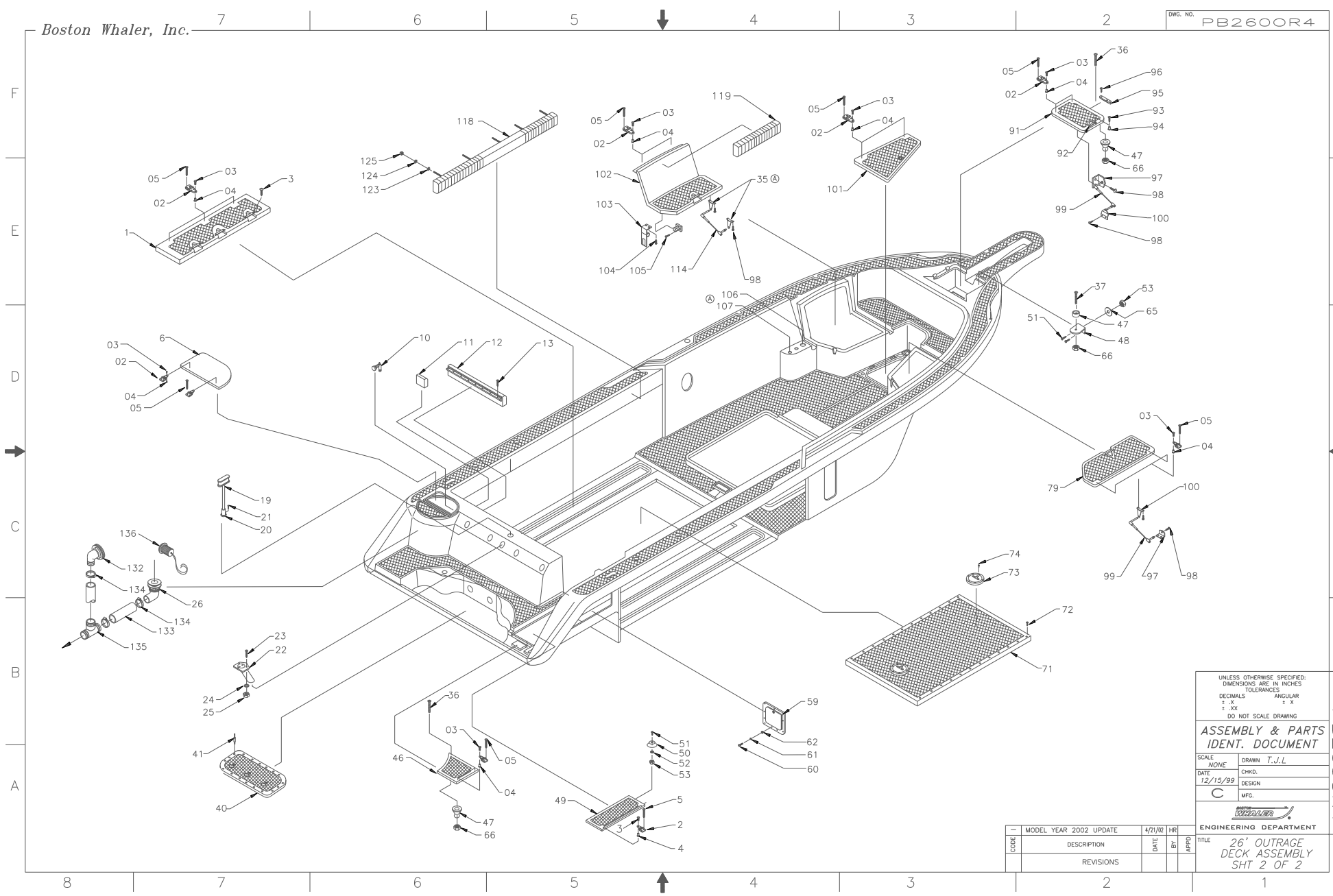
TITLE: 26' OUTRAGE HULL ASSEMBLY

CODE	DESCRIPTION	DATE	BY	APPD.
—	MODEL YEAR 2002 UPDATE	5/1/02	HJR	
—	MODEL YEAR 2001 UPDATE	7/14/00	RC	
REVISIONS				

UNDOOR1

Boston Whaler, Inc.

DWG. NO. PB2600R4



UNLESS OTHERWISE SPECIFIED:
 DIMENSIONS ARE IN INCHES
 TOLERANCES
 DECIMALS ANGULAR
 ± .X ± X
 ± .XX ± .XX
 DO NOT SCALE DRAWING

ASSEMBLY & PARTS IDENT. DOCUMENT

SCALE: NONE DRAWN: T.J.L.
 DATE: 12/15/99 CHKD.:
 DESIGN:
 C MFG.

BOSTON WHALER
 ENGINEERING DEPARTMENT

CODE	MODEL YEAR	DESCRIPTION	DATE	BY	HR	APPROV.
	2002	UPDATE	4/21/02			
		REVISIONS				

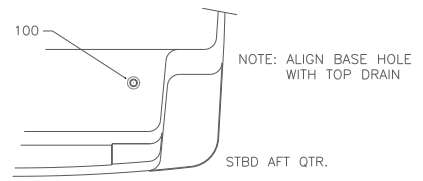
TITLE: 26' OUTRAGE DECK ASSEMBLY
 SH1 2 OF 2

UNION MADE

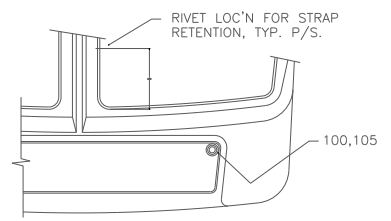
MODEL YEAR 2002 PARTS LIST

BOAT MODEL: 26' OUTRAGE
DOCUMENT CONTROL NO: P02600R2

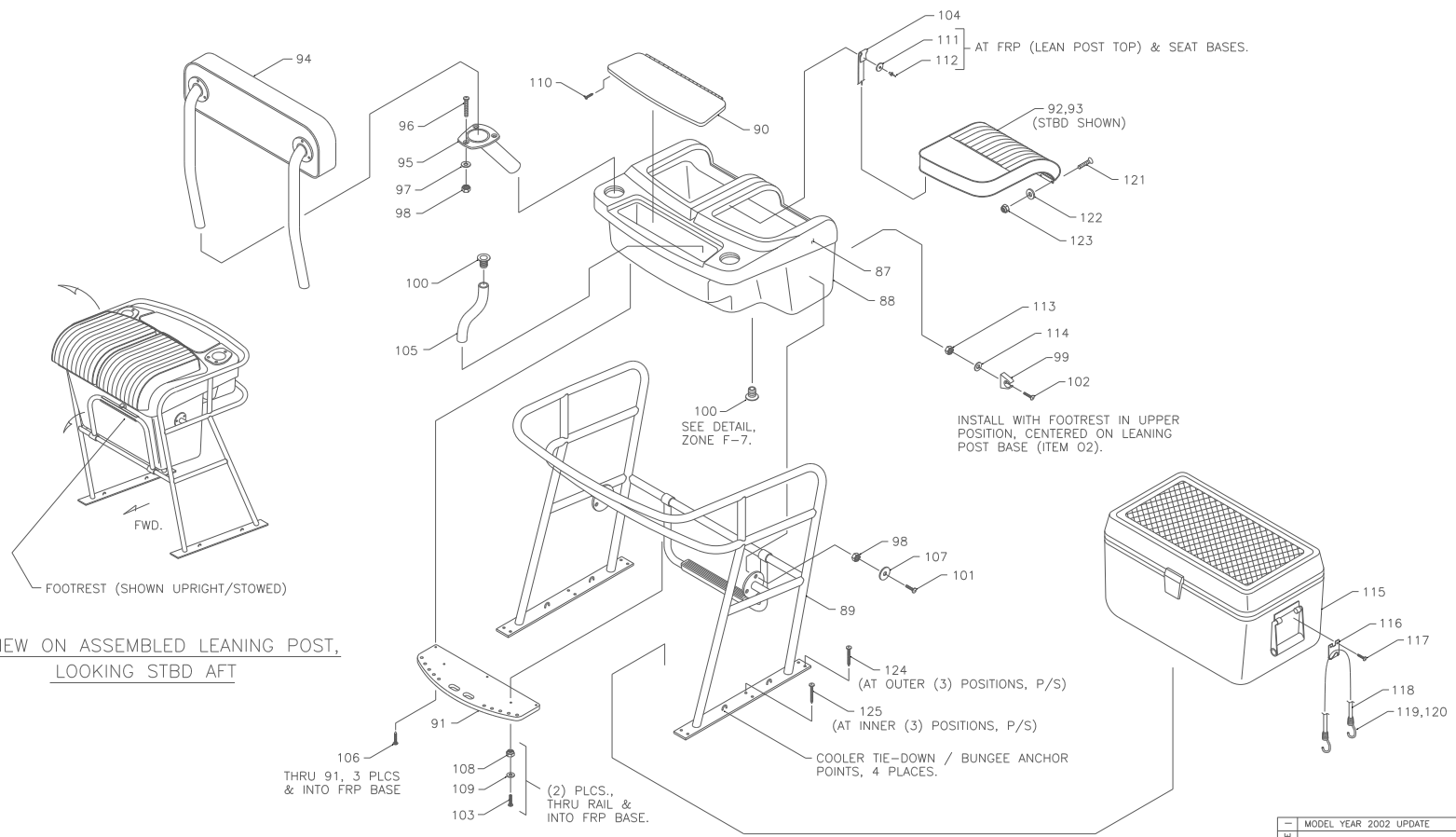
REV	QTY	U/W	DESCRIPTION	BLK NO.
01	1	EA.	SUPPORT PLAS RIGGING BW-97 WHT 10'	1043587
02	1	EA.	SCREW, TAPPING #8A X 5/8" PTH	1010925
03	2	EA.	TY-RAP	0999672
04	1	EA.	TANK, FUEL - BW 200GAL 2600R-98	1063056
05	4	EA.	RUBBER PAD, FUEL TANK	1042449
06	12	EA.	SCREW, TAPPING #14A X 1 1/2" PPH	1008697
07	6	EA.	FUEL TANK BRACKET PAD	1042969
08	1	EA.	TANK, WATER BW230CQ-97 - 20GAL	1033521
09	2	EA.	BRACKET, PVC 2" X 2" X 1/4" X 6" BW-01	1547280
10	14	FT.	FOAM, BACKER ROD 7/8" DIA	1041698
11	4	EA.	SCREW, TAPPING #14A X 1 1/2" PPH	1008697
12	2	EA.	NUT/CONE/RING, 1/2" X 3/8"	0158501
13	1	EA.	COUPLING, 1/2" MPT X 1/2" NPT	1021005
14	1	EA.	PUMP, HEAD SYSTEM WASTE 12VOLT	1110808
15	2	EA.	VALVE, CHECK 1 1/2" BOSWORTH	1031749
16	1	EA.	THRU-HULL, CHR/BRZ 1.5" RECESSED LO	1319847
17	4	EA.	SCREW, TAPPING #14A X 1" PPH	1008689
18	2	EA.	DRAIN, CKPT W/SCREEN	995118
19	1	EA.	SWITCH, PUSH BUTTON W/COVER	1031814
20	1	EA.	SWITCH, WASTE PUMP W/KEY	1031822
21	1	EA.	PANEL, MACERATOR SWITCH	1063049
22	1	EA.	SINK, 12" DIA. X 7" DEEP	1063445
23	1	EA.	WASHDOWN/SPRAYER, VERT MNT WHT W/BW	1612928
24				
25	3	EA.	THRU-HULL, CHR/BRZ 1.5" RECESSED SCU	1319847
26	EA.	WASHER, LOCK/SPLIT 5/8" SS	259234	
27	1	EA.	THRU-HULL, BRNZ 3/4" W/NUT	1032499
28	1	EA.	STRAINER, MARELON 3/4" SCREEN ONLY	0995589
29	6	EA.	SCREW, TAPPING #6A X 3/4" POH	1008564
30	1	EA.	PUMP, BILGE 11000PH	1480094
31	3	EA.	SCREW, TAPPING #10A X 1" PTH	1008739
32	2	EA.	SWITCH, FLOAT RULE	0989335
33	6	EA.	SCREW, TAPPING #10A X 1 1/2" PTH	1008747
34	1	EA.	THRU-HULL, PLASTIC 1.5" DRAIN W/FLANGE	1042050
35	2	EA.	EYE, BOW 5/8" X 5 3/4" SS	0995527
36	2	EA.	SWITCH, BATTERY SELEC W/LOCK	0162693
37	4	EA.	SCREW, TAPPING #10A X 1 1/2" PTH	1008747
38	8	EA.	THRU-HULL, PVC PRESS FIT	1042084
39	1	EA.	SHELF, PVC BW2600R-98 BATT CRY	1062819
40	5	EA.	SCREW, TAPPING #10A X 1 1/2" PTH	1008747
41	8	EA.	NUT, PVC RETAIN THRU-HULL	1042068
42	2	EA.	HOLDER, BATTERY GR27 BLK	1027036
43	4	EA.	SCREW, TAPPING #14A X 1" PPH	1008689
44	1	EA.	BUSS BAR, BWCP-97 GRND COPPER	1030628
45	1	EA.	COVER, ABS BUSS BAR BLACK	1001197
46	2	EA.	SCREW, TAPPING #8A X 1/2" PTH	1008812
47	1	EA.	BRKR/SWITCH, PUSH BUTTON 50A ETA	1032457
48	1	EA.	BREAKER, MANUAL RESET 5AMP	670497
49	1	EA.	BOX, ABS BW-97 HARNESS	1037530
50	4	EA.	SCREW, TAPPING #10A X 3/4" PTH	1008762
51	1	EA.	CABINET, HDPE BW2600R-98 STRG STBD	1062595
52	12	EA.	SCREW, TAPPING #10A X 1 1/2" POH	1008515
53	1	EA.	VALVE, MARELON BALL 2-WAY 3/4"	0557959
54	5	FT.	HOSE, SANI/CHEMICAL TDX 5/8"	1247119
55	1	EA.	CABINET, HDPE FWD W/PORT	1062611
56	1	EA.	COVER, ABS BW TERM BLOCK BLK	1001528
57	1	EA.	BUSS BAR, TERM BLOCK DC 2POST 90AMP	1043603
58	1	EA.	BOX, JUNCTION PVC ROUND 65 X 35MM	1455427
59	1	EA.	CONVERTER, 20AMP 2BNK	1122460
60	1	EA.	BOOT, RESET BRKR CLEAR	1066547
61	1	EA.	HEAD, PORTABLE MSD SANI POTTI SLVR	258749
62	1	EA.	EYE, BOW 1/2" X 4"	0995456
63	2	EA.	SCREW, MACHINE #5/16-18 X 3/4" HEX NUT	0153353
64	2	EA.	WASHER, LOCK/SPLIT 5/16"	0153692
65	2	EA.	NUT, HEX NYLON 5/16-18	0152702
66	1	EA.	EYE, LIFTING 5/8"	1033075
67	1	EA.	NUT, ACORN #5/8-11 SS	1062942
68	1	EA.	PLATE, B/U U-BOLT	1058999
69				
70	2	EA.	SCREW, TAPPING #10A X 3/4" PTH	1008762
71	2	EA.	SCREW, MACHINE #10-24 X 5/8" POH	1010545
72	EA.	SCREW, TAPPING #10A X 1" PTH	1008739	
73	EA.	WASHER, FENDER 1/4" X 1 1/4"	0189365	
74	2	EA.	DRAIN, SLEEVE FLUSH IMPACT	0518878
75	1	EA.	VALVE, FOOT CHECK 3/4" BARB	1031756
76	1	EA.	BULKHEAD, PVC ANCHOR LOCKER	1062561
77	5	EA.	SCREW, TAPPING #10A X 1 1/2" POH	1008515
78	1	EA.	PUMP, BILGE 800CPH	0698290
79	2	EA.	SCREW, TAPPING #10A X 1" PTH	1008739
80	1	EA.	CABINET, HDPE STEERING PORT	1062587
81	10	EA.	SCREW, TAPPING #10A X 1 1/2" PTH	1008747
82	1	EA.	BULKHEAD, HDPE STEERING LOCKER	1062579
83	8	EA.	SCREW, TAPPING #10A X 1 1/2" POH	1008515
84	2	EA.	ROD HOLDER, PORT UNDER G	1062785
85	2	EA.	ROD HOLDER, STRBD UNDER G	1062793
86	2	EA.	SCREW, TAPPING #14A X 1 1/4" POH	1010560
87	1	EA.	VENT, FUEL TANK 3/4"	0859157
88	1	EA.	COOLER, 94 QT WHITE	1016435
89	2	EA.	HOOK, PLASTIC COOLER 1/8"	1043181
90	2	EA.	BULKHEAD, HDPE FISHWELL SE	1062546
91	2	EA.	RAIL, GRAB TOE WHITE	1062900
92	1	EA.	ELBOW, MARELON 3/4" X 3/4" BARB	0995571
93	1	EA.	TEE, PVC 1.5 BARB X 1.5 X 1.5	1037027
94	2	EA.	DRAIN, 1" IMPACT W/O BARB	1041953
95	2	EA.	WASHER, FINISH #10	0896258
96	2	EA.	NUT, BBL #10-24 X 3/8"	1040187
97				
98	1	EA.	PLATE, DECK WASTE	0291757
99	1	EA.	VENT, FUEL TANK 3/4"	0859157
100	1	EA.	TANK, HOLDING 10 GALLON	1063064
101	1	EA.	PUMP, HEAD MACERATOR	1624451
102	1	EA.	VALVE, BALL 2-WAY 3/4"	0557959
103	1	EA.	TAILPIECE, MAR 1.5" X 1.5" X 90" BARB	0635458
104	1	EA.	ELBOW, MAR 1" X 1" X 90" BARB	0995555
105	1	EA.	ELBOW, MAR 1 1/2" X 3/8" X 90" BARB	0995553
106	1	EA.	ELBOW, PVC 1 1/2" X 1 1/2" X 90"	0141515
107	1	EA.	THRU-HULL, BRASS 1" X 4 7/8"	0861153
108	1	EA.	VALVE, BALL 2-WAY 1"	0581355
109	8	FT.	TAPE, FOAM NEOPRENE W/3M 9828 3/8"	1497452
110A/R	EA.	CLAMP, HOSE #10 1/2" - 1 1/2" SS .505	2633954	
111A/R	EA.	CLAMP, HOSE #24 1"-2" SS .505	256693	
112	5	FT.	HOSE, GEN PURPOSE 3/4"	123810
113A/R	X	CLAMP, HOSE #6M 5/16"-7/8" SS MINI	123398	
114	8.3	FT.	HOSE, 2" ID RIGGING TUBE BLK	1042399
115	1	EA.	HEAD, ELECTRIC 12V	1344925
116	22	FT.	HOSE, SANI/SMOOTH WALL 1.5"	123844
117	8.5	FT.	HOSE, FUEL 5/8" ISO/GE	947499
118	4	FT.	HOSE, GEN PURPOSE 1"	196667
119	4	EA.	BOLT, LAG 1/4" X 2" SS SC HEX	1005133
120	4	EA.	WASHER, FLAT #5/16" X 3/4" SS	1008903
121	X	X	X	X



PLAN-VIEW ON LEANING POST BASE.



PLAN-VIEW ON LEANING POST TOP



VIEW ON ASSEMBLED LEANING POST, LOOKING STBD AFT

FOOTREST (SHOWN UPRIGHT/STOWED)

FWD.

INSTALL WITH FOOTREST IN UPPER POSITION, CENTERED ON LEANING POST BASE (ITEM 02).

100 - SEE DETAIL, ZONE F-7.

COOLER TIE-DOWN / BUNGEE ANCHOR POINTS, 4 PLACES.

106 - THRU 91, 3 PLCS & INTO FRP BASE

(2) PLCS., THRU RAIL & INTO FRP BASE.

UNLESS OTHERWISE SPECIFIED: DIMENSIONS ARE IN INCHES TOLERANCES DECIMALS ANGULAR ± .X ± .XX ± .XX DO NOT SCALE DRAWING

ASSEMBLY & PARTS IDENT. DOCUMENT

SCALE: NONE DRAWN: R. DURHAM
 DATE: 5/27/99 CHKD.:
 DESIGN:
 C MFG.

BOSTON WHALER
 ENGINEERING DEPARTMENT

CODE	MODEL YEAR 2002 UPDATE	4/21/02	HR	BY	APPROV
REVISIONS					

TITLE: 26' OUTRAGE LEANING POST & ACCESSORIES

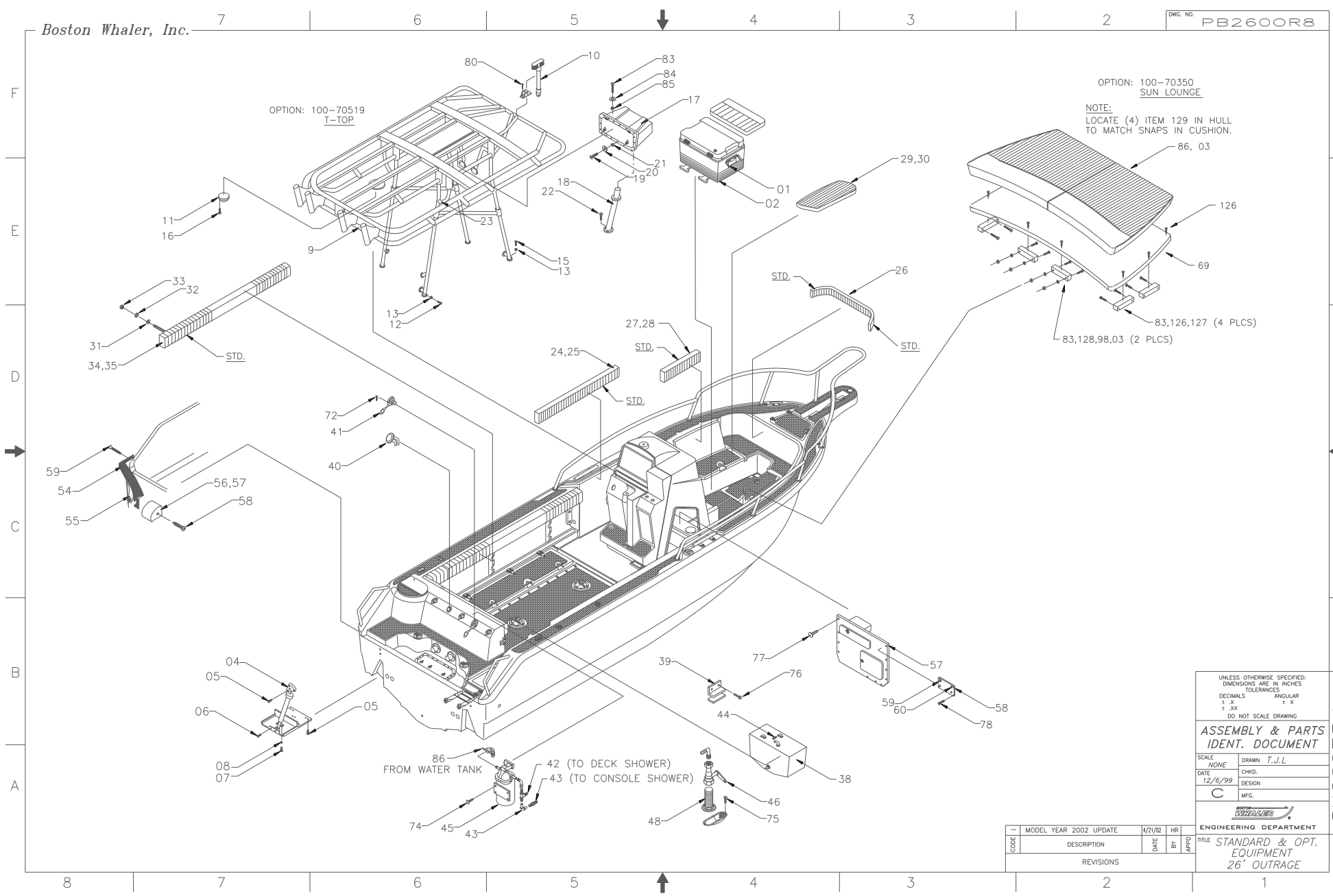
MODEL YEAR 2002 PARTS LIST

BOAT MODEL: 26' OUTRAGE
DOCUMENT CONTROL NO: PB2600R10

ITEM	QTY.	U/M	DESCRIPTION	B.M. NO.
01	1	EA.	COOLER, 94 QT WHITE	1016435
02	1	EA.	HOOK, PLASTIC COOLER 1/8"	1043181
03	4	EA.	SNAP STUD	203786
04	2	EA.	TRIM, TAB ASSEMBLY	1020403
05	30	EA.	SCREW, TAPPING #14A X 1 1/2" PPH	1008697
06	4	EA.	SCREW, MACHINE #1/4-20 X 1" PPH	1008580
07	4	EA.	SCREW, MACHINE #1/4-20 X 3/4"	0151720
08	4	EA.	NUT, HEX NYLON LOCK #1/4-20	1007772
09	1	EA.	FRAME, BW2600R-98 T-TOP BRUSHED ALU	1062850
10	1	EA.	LIGHT, NAV MASTHEAD COMBO 12 3/4"	1122563
11	1	EA.	LIGHT, DOME MNT PLASTIC WHT W/O SWITCH	1041268
12	18	EA.	SCREW, MACHINE #1/4-20 X 1 1/4" PPH	0151746
13	18	EA.	NUT, ACORN #1/4-20	0152538
14	18	EA.	WASHER, STAR #1/4-20	1008929
15	16	EA.	SCREW, MACHINE #1/4-20 X 3" PPH	1008622
16	4	EA.	SCREW, TAPPING #8 X 1/2" PTH	1010578
17	1	EA.	DOOR, T-TOP W/BOX FRAME	1073279
18	1	EA.	TUBING, BW2600R-98 ELEC BOX RIGGING	1070747
19	18	EA.	SCREW, MACHINE #8-32 X 1" POH	1008481
20	18	EA.	WASHER, FLAT #8	0152900
21	18	EA.	NUT, LOCK #8-32	1009927
22	6	EA.	SCREW, TAPPING #1/4-20 X 1 1/4"	0153262
23	2	EA.	OUTRIGGER, POLES 16"	1614270
24	1	EA.	BOLSTER, BW2600R-98 BOW PORT WHT/GR	1063239
25	1	EA.	BOLSTER, BW2600R-98 BOW STBD WHT/GR	1063247
26	1	EA.	BOLSTER, BW2600R-98 BOW CTR WHT/GRY	1063254
27	1	EA.	CUSH, BW2600R-98 B/R BOW PORT WHT/G	1063189
28	1	EA.	CUSH, BW2600R-98 B/R BOW STBD WHT/G	1063171
29	1	EA.	CUSH, BW2600R-98 BOW PORT WHT/GRY	1063130
30	1	EA.	CUSH, BW2600R-98 BOW STBD WHT/GRY	1063122
31	8	EA.	WASHER, STAR 1/4"	1008929
32	8	EA.	WASHER, FLAT #1/4"	0152926
33	8	EA.	NUT, HEX #1/4-20	0152645
34	1	EA.	BOLSTER, BW2600R-98 AFT PORT WHT/GR	1063213
35	1	EA.	BOLSTER, BW2600R-98 AFT STBD WHT/GR	1063221
36	1	EA.	SINK, 12" DIA X 7" DEEP	1063445
37	1	EA.	WASHEDOWN, SPRAYER WHITE	1058858
38	1	EA.	TANK, WATER 20 GALLON	1033521
39	2	EA.	TANK, BRACKET 2" X 2" X 1/4"	1030469
40	1	EA.	PLATE, DECK WATER 45 DEGREE NECK	1057454
41	1	EA.	SHOWER, SPRAY NOZZEL ANGLE BASE	0785246
42	1	EA.	TEE, ACETAL 1/2" MPT	0206003
43	1	EA.	ELBOW, ACETAL 1/2" X 1/2" X 90°	0172551
44	1	EA.	NUT/RING/CONE, 1/2" X 3/8"	0158501
45	1	EA.	PUMP, FRESH WATER 2.8 MP	0504969
46	1	EA.	VALVE BALL, 2 WAY MARELON	0581355
47		EA.		
48	1	EA.	THRU-HULL, BRASS 1" X 4 7/8"	0861153
49		EA.		
50	1	EA.	TEE, PVC 1.5" X 1.5" X 1.5" BARB	1037027
54	1	EA.	RUBRAIL, PLASTIC CHR 54'	1020882
55	1	EA.	INSERT, RUB RAIL CHAR FLEX 54'	1020841
56	1	EA.	CAP, RUBRAIL BW210C0-98 END PORT	1057553
57	1	EA.	CAP, RUBRAIL BW210C0-98 END STBD	1057546
58	2	EA.	SCREW, TAPPING #10A X 1 1/2" PTH SS	1008747
69	1	EA.	SUN LOUNGE	22J96600
70	1	EA.	HEAD, PORTABLE	0130708
71		EA.		
72	4	EA.	SCREW, TAPPING #8A X 3/4" POH	0150797
73	4	EA.	SCREW, TAPPING #14A X 1" PPH	1008689
74	4	EA.	SCREW, TAPPING #10A X 1" PTH	1008739
75	2	EA.	SCREW, TAPPING #6A X 1 1/4" POH	1008556
76	4	EA.	SCREW, TAPPING #14A X 1 1/2" PPH	1008697
77	12	EA.	SCREW, TAPPING #10A X 1 1/2" POH	1008515
78	4	EA.	SCREW, TAPPING #6A X 3/4" POH	1008564
79	4	EA.	SCREW, TAPPING #14A X 1 1/2" PTH	1008747
80	2	EA.	SCREW, MACHINE #10-24 X 1 1/4" POH	1008424
81	6	EA.	SCREW, TAPPING #10A X 1" PTH	1008739
82	6	EA.	WASHER, FENDER 1/4" X 1 1/4"	0189365
83	6	EA.	CLEAT, SUN LOUNGE FILLER	0135507
84	4	EA.	WASHER, FENDER #1/4" X 1 1/4"	0189365
85	4	EA.	NUT, LOCK #1/4-20	1009786
86	1	EA.	CUSH, BW2600R-00 SUN LOUNGE FILLER	1324789
87	1	EA.	PEDESTAL LEANING POST ASSEMBLY	18J76507
88		EA.		
89	1	EA.	FRAME, BW2600R-98 LEAN POST GRAB RA	1062876
90	1	EA.	LID, HDPE BW2600R-98 LEAN POST SEAF	1062728
91	1	EA.	HOLDER, HDPE BW2600R-98 LEADER/TOOL	1062702
92	1	EA.	CUSH, BW2600R-98 LEAN POST STBD WHT	1063148
93	1	EA.	CUSH, BW2600R-98 LEAN POST PORT WHT	1063135
94	1	EA.	CUSH, BW2307600R-98 B/R W/HDRW WHT	1073956
95	2	EA.	ROD HOLDER, FLUSH MNT SS W/BW LOGO	1591643
96	6	EA.	SCREW, MACHINE 1/4-20 x 1.50" POH	1010438
97	6	EA.	WASHER, FLAT 1/4" SS	0152926
98	16	EA.	NUT, HEX NYLON LOCK 1/4-20	1007764
99	1	EA.	CLIP, LADDER WHITE	0191578
100	2	EA.	DRAIN SLEEVE, FLUSH IMPACT 5/8" W/BARB	0600700
101	6	EA.	SCREW, MACHINE 1/4-20 x 1" PPH	1008580
102	1	EA.	SCREW, MACHINE #6-32 x 1" PPH	1008671
103	2	EA.	SCREW, MACHINE #8-32 x 1.50 PTH	1010109
104	3	FT	WEBBING, BW-9" STRAP NYLON 1"	1030105
105	7	FT	HOSE, SANI/CHEMICAL TOX 5/8"	124119
106	3	EA.	SCREW, TAPPING #10A X 1" PTH	1008739
107	6	EA.	WASHER, FENDER 1/4" x 1.25" SS	0189365
108	2	EA.	NUT, LOCK 8-32 SC	1009927
109	2	EA.	WASHER, FLAT #8 SS	0152900
110	12	EA.	SCREW, TAPPING #6A X 1 1/2" PPH	1010362
111	4	EA.	WASHER, FENDER 13/64" x 1" SS	1008846
112	4	EA.	RIVET, POP/BLIND 3/16" x 5/8" ALUM.	0189415
113	1	EA.	NUT, LOCK #6-32 SC	1009810
114	1	EA.	WASHER, FLAT #6 SS	0153858
115	1	EA.	COOLER, 94QT WHITE	1016435
116	2	EA.	HOOK, PLAS COOLER 1/8" WHT.	1043181
117	4	EA.	SCREW, TAPPING #8A X 5/8" PTH	1010925
118	8	FT	CORD, SHOCK/BUNGEE 3/8" BULK BLK	1039528
119	4	EA.	CORD, SHOCK BUNGEE CLAMP 3/8" DIA.	1020023
120	4	EA.	CORD, SHOCK BUNGEE 3/8" SPRING	1020056
121	12	EA.	SCREW, MACHINE #10-24 x 7/8" PPH	1010099
122	12	EA.	WASHER, FLAT #10 SS	0152918
123	12	EA.	NUT, HEX NYLON LOCK #10-24 SC	1007772
124	6	EA.	SCREW, TAPPING #14A X 3" PPH	1010628
125	6	EA.	SCREW, TAPPING #14A X 1.5" PPH	1008598
126	6	EA.	SCREW, TAPPING #10A X 1.50 PTH	1008747
127	6	EA.	SCREW, TAPPING #14A X 2" PTH	1008770
128	4	EA.	SCREW, MACHINE 1/4-20 x 2"	1008614

Boston Whaler, Inc.

DWG. NO. PB2600R8



UNLESS OTHERWISE SPECIFIED:
 DIMENSIONS ARE IN INCHES
 TOLERANCES
 DECIMALS ANGULAR
 ± .X ± X
 ± .XX ± X
 DO NOT SCALE DRAWING

ASSEMBLY & PARTS IDENT. DOCUMENT

SCALE: NONE DRAWN: T.J.L.
 DATE: 12/6/99 CHKD.:
 DESIGN:
 MFG.: C

ENGINEERING DEPARTMENT

CODE	MODEL YEAR	DESCRIPTION	DATE	BY	HR	APPROV
	2002	UPDATE	4/21/02			
REVISIONS						

TITLE: STANDARD & OPT. EQUIPMENT 26' OUTRAGE