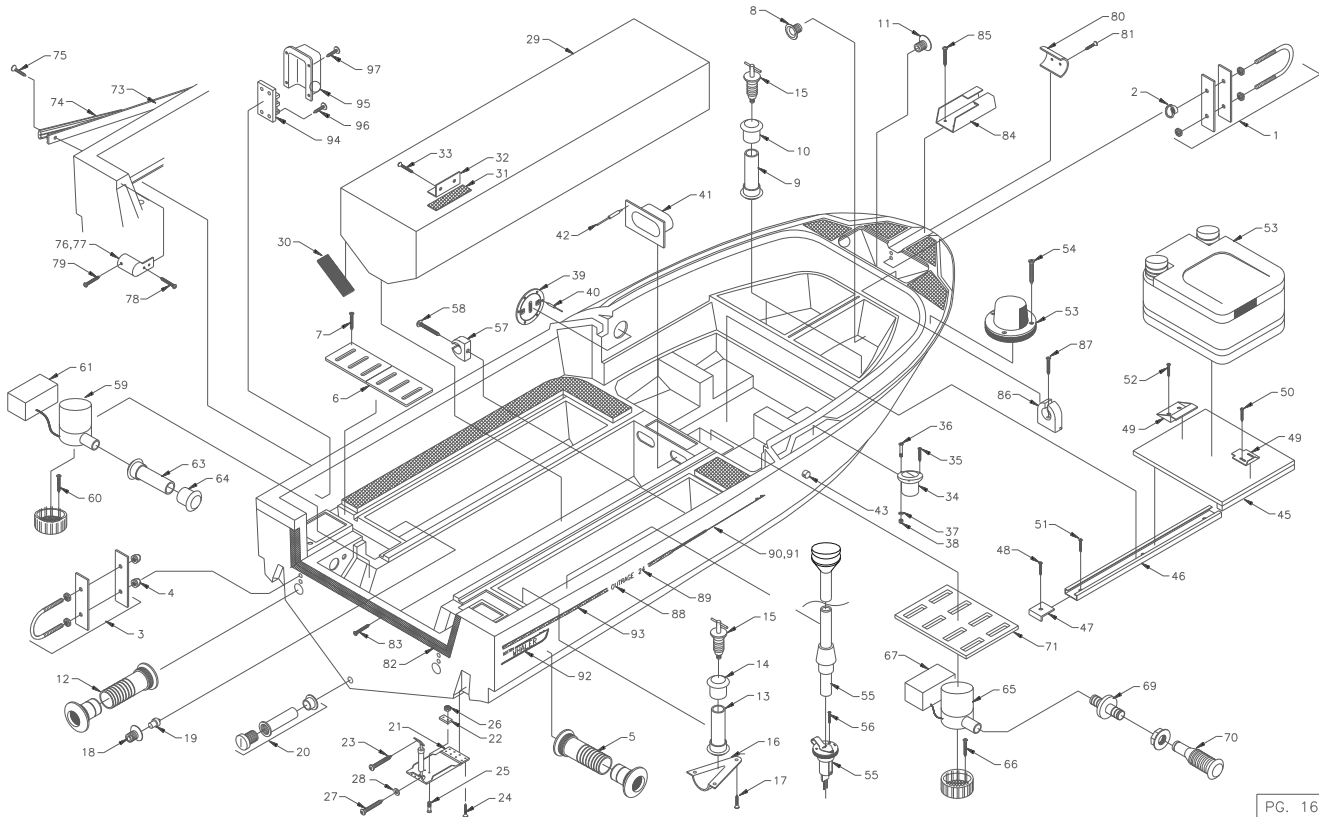


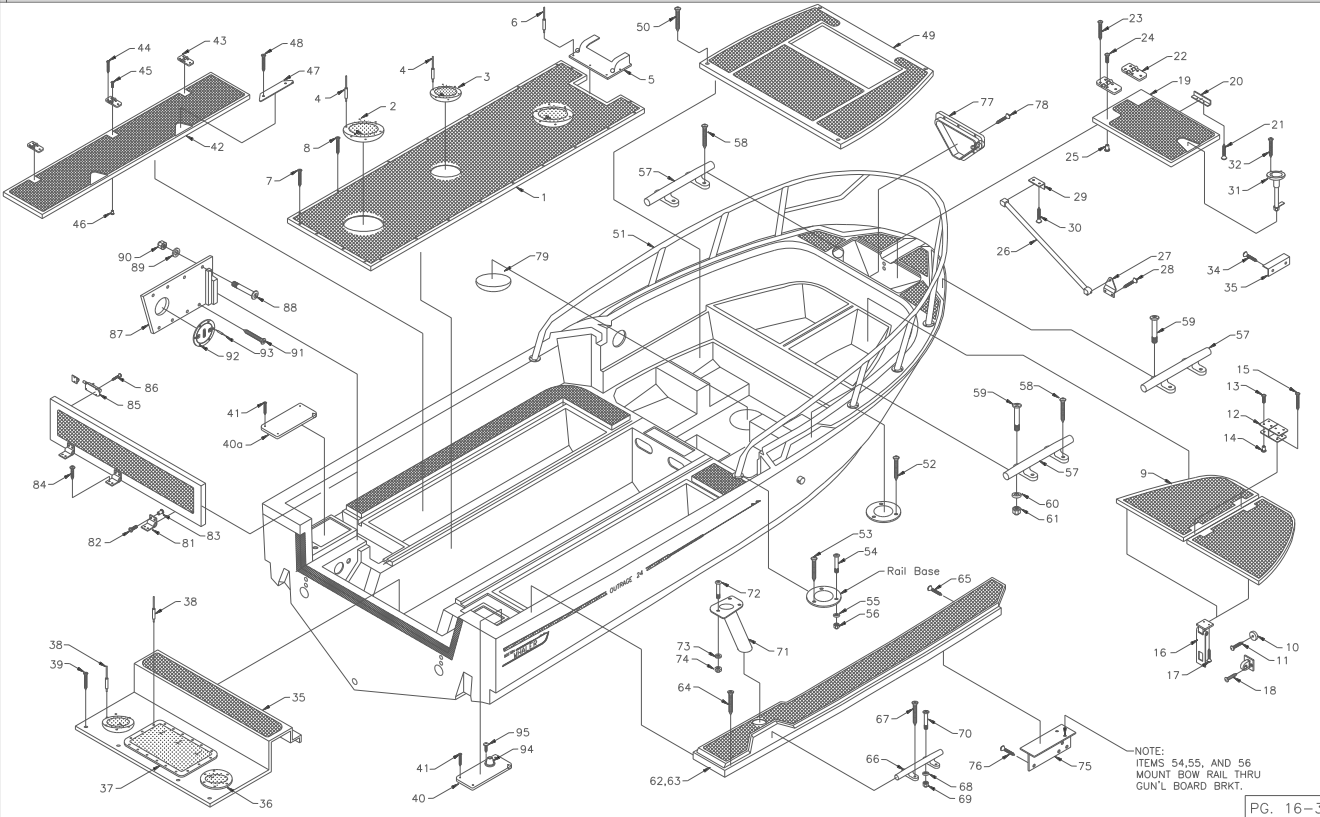
Det	P/N	Qty	Desc	Det	P/N	Qty	Desc
1	1067982	1	FBRGLS PART, CNSL WHT	62	1068295	1	DOOR, HDPE/PLEX CNSL PORT SEAFM
2	1008697	4	SCR, TAP#14A X1.5" PPH	63	1068287	1	DOOR, HDPE/PLEX CNSL STBD SEAFM
3	1008606	8	SCR, MACH#1/4-20 X 1.75" PPH	64	1010446	28	SCR, MACH#10-24 X 1" POH
4	1007764	8	NUT, HEX NYLON LOCK#1/4-20	65	0152918	28	WASHER, FLAT#10
5	0189365	26	WASHER, FENDER 1/4" X 1.25"	66	1007772	28	NUT, HEX NYLON LOCK#10-24
6	1010628	4	SCR, TAP#14A X 3" PPH	67	1008515	4	SCR, TAP#10A X 1.5" POH
7	1076058	1	TRIM, HDPE CNSL PORT SEAFM	68	1068303	1	DOOR, HDPE/PLEX ELCC BOX SEAFM
8	1076066	1	TRIM, HDPE CNSL STBD SEAFM	69	1008507	14	SCR, TAP#10A X 1" POH
9	1008747	6	SCR, TAP#10A X 1.5" PTH	70	1022409	1	HOLDER, HDPE CHART
10	1021096	1	WIND SHIELD	71	1022565	1	TRIM, HDPE CNSL
11	1033422	8	NUT, WELL	72	1008556	7	SCR, TAP#6A X 1.25" POH
12	0896258	8	WASHER, FINISH#10	73	22-H085-00	1	FOOTREST, CONSOLE FBRGLS
13	1010107	8	SCR, MACH#10-32 X 1.25" PPH	74	1037340	1	TREAD, CONSOLE FOOTREST
14	0650598	2	HLD, BATT GR24 FULLY ENCL	75	1008515	5	SCR, TAP#10A X 1.5" POH
15	1041128	2	STRAP, 1" X 3" HPLDWN BLK	76	1008598	3	SCR, MACH#1/4-20 X 1.5" PPH
16	1042837	4	BRKT, BATT HLDWN 1.25" CHR	77	0189365	6	WASHER, FENDER 1/4" X 1.25"
17	1008408	8	SCR, TAP#6A X 1/2" PTH	78	1009786	3	NUT, LOCK#1/4-20 X 1.5" PTH
18	1068915	1	CUSH, CVR CNSL TRINTON WHT	79	0641076	2	VENT, LOKR VENTILATOR 3.25" CHR
19	1033042	3	BOLT, BARREL CHROME	80	0192047	8	RVT, POP/BLIND#1/8 X 3/8" ALUM
20	1010362	18	SCR, TAP#8A X 1/2" PTH	81	1041557	4	TRIM, EDGE VINYL 1" X 3/16" BLK
21	1010248	7	SCR, TAP#10A X 1.5" PPH	82	1026905	1	PANEL, SWITCH DUAL BATT
22	1008507	6	SCR, TAP#10A X 1" POH	83	1035450	1	PANEL, BATT SWITCH
23	1031319	13	SNAP CAP, PLAS WASHER	84	0162693	2	SM, BATT SELE W/O LOCK W/O DISC
24	1031301	13	SNAP CAP, PLAS WHT	85	1010719	8	SCR, MACH#8-32 X 1.5" PTH
25	1080076	1	CUSH, C/OUT CNSL TRINTON WHT	86	1052900	1	WASHER, FLAT#8
26	1010248	4	SCR, TAP#10A X 1.5" PPH	87	1008812	8	SCR, TAP#8A X 1/2" PTH
27	1031319	4	SNAP CAP, PLAS WASHER	88	1026541	1	PANEL, BLANK HELM
28	1031301	4	SNAP CAP, PLAS WHT	1026674	1	PANEL, OMC DGL PRERIG	
29	1043033	2	HOOK, FENDER	1026699	1	PANEL, OMC DUAL PRERIG	
30	1010924	4	SCR, TAP#8A X 5/8" PTH	1026673	1	PANEL, MERC SGL PRERIG	
31	0861120	4	EYE, STRAP TIE DWN 5/16" CHR/ZINC	1026640	1	PANEL, MERC DUAL PRERIG	
32	1008408	8	SCR, TAP#8A X 3/4" PTH	89	1008796	6	SCR, TAP#6A X 1/2" PTH
33	12-8133-00	2	CORD, SHOCK 3/8" X 20" BLK	90	1053404	4	ROD HLDR, PVC CNSL BLK
34	1020932	12	TRIM, EDGE BLK CONSOLE	93	0479972	10	TRIM TAB, HYDRAULIC TUBING
35	1010925	14	SCR, TAP#8A X 5/8" PTH	94	1041888	1	DRAIN, 1" IMPACT W/BARB BLK
36	1010925	1	CVR, PLEX CHART FLAT	95	1008531	4	SCR, TAP#10A X 2.5" POH
37	1008440	4	SCR, MACH#10-24 X 3/4" POH	96	0896258	4	WASHER, FINISH#10
38	0896258	4	WASHER, FINISH#10	97	1012194	1	RAIL, GRAB CNSL 1"
39	1033281	1	LATCH, DRAW FLEX SML	98	0151746	12	SCR, MACH#1/4-20 X 1.25" PPH
40	1025931	3	SCR, MACH#4-40 X 1.5" PPH	99	0189365	12	WASHER, FENDER 1/4" X 1.25"
41	1007806	3	NUT, HEX NYLON LOCK#4-40	100	1009786	12	NUT, LOCK#1/4-20
42	1019926	2	DRINK HLDR, PLAS FOLDWN BLK	101	1008689	3	SCR, TAP#14A X 1" PPH
43	1010925	4	SCR, TAP#8A X 5/8" PTH	101	1039437	1	BUMPER, RECESSED BLK
44	1037555	1	BOX, FIRE EXT SHORT WHT	102	1026038	1	SCR, MACH#10-24 X 3/4" PPH
45	1010735	6	SCR, MACH#8-32 X 3/4" PTH	103	1035195	1	LHT, RND WHT RAIL MNT
46	0152900	6	WASHER, FLAT#8	104	1026038	2	SCR, MACH#10-24 X 3/4" PPH
47	1009927	6	NUT, LOCK#8-32				NOT SHOWN:
48	0317032	1	STRG, HELM PUMP SEA STAR TILT	1068907	1	CUSH, HEADLINR CNSL TRINTON WHT	
49	0127019	1	STRG, O/B HOSE KIT 16" W/2 HOSES	1016534	1	LABEL, WARN FUEL GUARD	
50	0158352	1	STRG, O/B HOSE KIT 4" W/2 HOSES	1017136	1	LABEL, SAFETY HI-PERF BOAT	
	0634675	1	STRG, HYD CYL O/B FRONT	1017136	2	DECAL, OR 4" DK GRAY	
	1043389	2	FITTING, BRD BULKHD QTR TK	0998799	2	DECAL, SAILFISH FIRE RED	
	0161919	4	STRG, ELBOW 90DEG	0998724	2	DECAL, SAILFISH CORBIN DK BLU	
	1020197	1	STRG WHEEL, 15DIA 25DEG	0998781	2	DECAL, SAILFISH DK GRN	
	1021054	1	EMBLEM, STRG WHEEL CAP				
	1026533	1	PANEL, HELM SWITCH				
	1008796	4	SCR, TAP#8A X 1/2" PTH				
	1026467	1	PANEL, BRKR				
	1008812	4	SCR, TAP#8A X 1/2" PTH				
	36-6427-08	1	HARNES, CONSOLE				
	0860320	2	LHT, RECESSED RND FROST LENS				
	1010362	8	SCR, TAP#6A X 1/2" PTH				
	0138172	1	LHT, STRIP MT 3 BULB HI/LO				
	1008796	4	SCR, TAP#6A X 1/2" PTH				



Det	P/N	Qty	Descr.
1	0995522	1	EYE, BOW 5/8" X 5.75"
2	1033075	1	EYE, LIFTING 5/8" RND CHR
3	0126557	2	EYE, BOW 1/2" X 3 7/16"
4	1007756	4	NUT, ACORN#1/2-13
5	0996538	2	THRU-HULL, PLAS 1 11/32" ADJ SCUP
6	1076215	2	GRATE, HDPE SCUPPER SEAFM
7	1008747	8	SCR, TAP#10A X 1.5" PTH
8	0518878	1	DRN, SLEEVE FLUSH IMPACT 5/8"
9	1042084	2	THRU-HULL PVC PRESS FIT
10	1042068	2	NUT, PVC RETAINING THRU-HULL
11	0518878	1	DRAIN, SLEEVE FLUSH IMPACT 5/8"
12	0996538	2	THRU-HULL, PLAS 1 11/32" ADJ SCUP
13	1042084	2	THRU-HULL, PVC PRESS FIT
14	1042068	2	NUT, PVC RETAINING THRU-HULL
15	1033371	4	PLUG, BRASS 1" DRAIN TURN-TITE
16	0533430	2	VENT, CLAMP/HELL ROPE LCR 2"X2"
17	1008564	6	SCR, TAP#6A X 3/4" POH
18	1041953	4	DRAIN, 1" IMPACT W/O BARB BLK
19	0996009	2	PLUG, BRS 3/4" DRAIN CAM ACTION
20	1042050	1	THRU-H, PLAS 1.5" DRN W/FLG/GRNG
21	1020403	1	TRIM TAB, ASSY 9 X 9
22	0271445	1	TRIM TAB, HYD PUMP ONLY
23	1039726	0.5	ZINC, TRIM TAB BRICK
24	1008697	6	SCR, TAP#14A X 1.5" PPH
25	1015720	4	SCR, MACH#1/4-20 X 3/4" PPH
26	1009786	4	NUT, LOCK#1/4-20
27	1010586	4	SCR, MACH#1/4-20 X 1/2" PPH
28	1008929	4	WASHER, STAR#1/4
29	1021450	1	TANK, FUEL#1/4
30	1042456	10	RUB PAD, TANK 1/4" X 2" X 9.75"
31	1042407	4	RUB PAD, FUEL TANK 2"
32	12-H409-00	4	BRKT, FUEL TANK ALUM
33	1010909	8	SCR, TAP#14A X 1.5" PTH
34	0859017	1	DECK PLATE, GAS 1.5"
35	1010552	2	SCR, TAP#10A X 3/4" POH
36	1010446	1	SCR, MACH#10-24 X 1" POH
38	1007772	1	NUT, HEX NYLON LOCK#10-24
39	1016153	2	ACCESS PLT, POLYPRP -OUT 5" WHT
40	0189415	12	RVT, POP/BLIND#3/16" X 5/8" ALUM
41	1043157	2	INSERT, HDPE TUNNEL COLLAR WHT
42	0189415	8	RVT, POP/BLIND#3/16 X 5/8" ALUM
43	0859157	1	VENT, FUEL TANK 3/4"
44	1038587	1	HEAD, PORTABLE SANI POTTI GRY
45	1076033	1	BASE, HDPE PORTA-POTTI SEAFM
46	1040872	1	SLIDE TRACK, 48" ALUM
47	1040864	2	CAP, PLAS END/STOP SLIDE TRACK
48	1008382	2	SCR, TAP#14A X 1.5" PPH
49	1040849	2	SLIDETRACK, ACCY MNT WHT
50	1008739	2	SCR, TAP#10A X 1" PTH
51	1010248	3	SCR, TAP#10A X 1.5" PTH
52	1008762	2	SCR, TAP#10A X 3/4" PTH
53	0996496	2	LHT, NAV SURF HORIZ MT CHR
54	1010321	6	SCR, TAP#4A X 1" PPH
55	1035229	3	LHT, STERN PLUG-IN 24"
56	1008556	3	SCR, TAP#10A X 1.25" POH
57	0590848	2	CLIP, BLK STRG POLE
58	1008747	8	SCR, TAP#10A X 1.5" PTH
59	0801373	1	PUMP, BILGE V150 12VDC
60	1010925	3	SCR, TAP#8A X 5/8" PTH
61	0889335	1	SWITCH FLOAT, RULE W/CVR
62	1008556	2	SCR, TAP#6A X 1.25" POH
63	1042084	1	THRU-HULL, PVC PRESS-FIT
64	1042068	1	NUT, PVC RETAINING THRU-HULL
65	0968290	1	PUMP, BILGE 800GPH

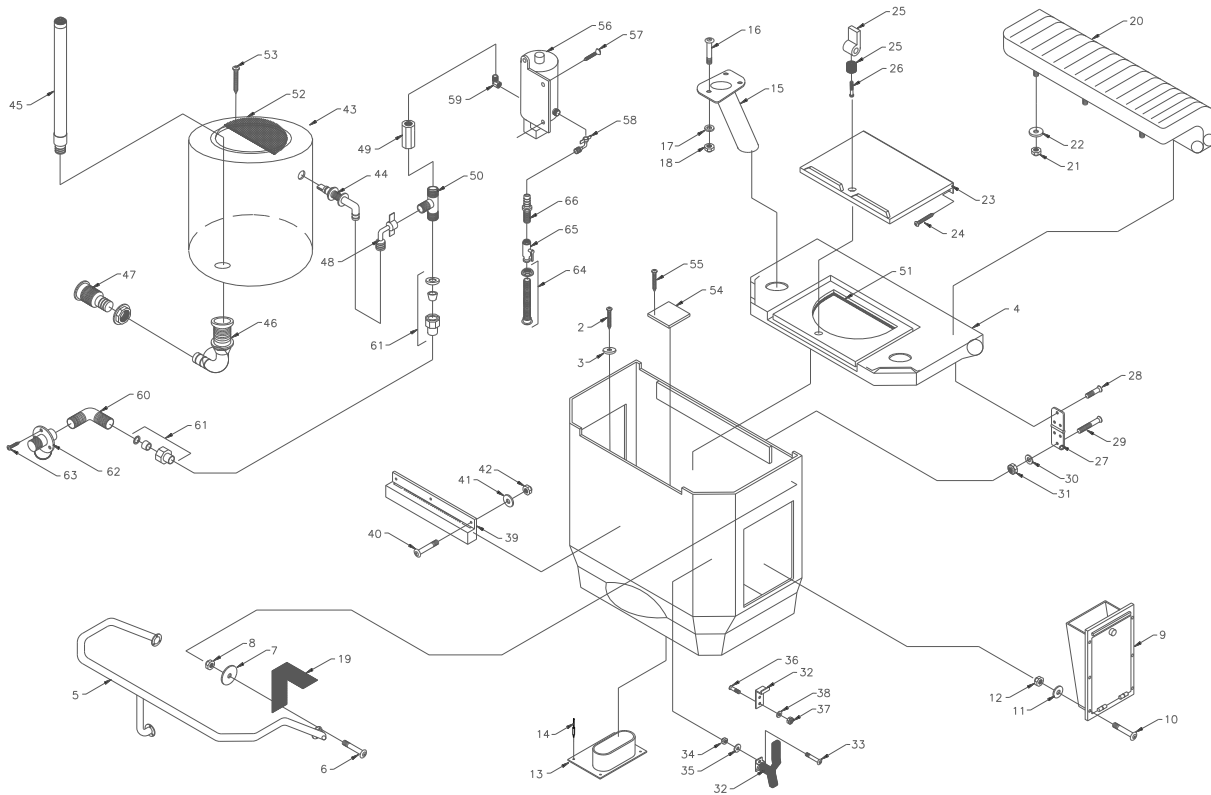
Det	P/N	Qty	Descr.
66	1010925	3	SCR, TAP#8A X 5/8" PTH
67	0989335	1	SWITCH FLOAT, RULE W/CVR
68	1008556	2	SCR, TAP#6A X 1.25" POH
69	1031756	1	VALVE, FOOT CHECK 3/4" BARB
70	0182964	1	THRU-HULL, PLAS 3/4" WHT
71	1076817	1	GRATE, HDPE FWD SUMP SEAFM
72	1041953	1	DRN, 1" IMPACT W/O BARB BLK
73	1035526	2	RUBRAIL, PVC RIGID 28" BLK
74	1039965	2	INSERT, RUBRAIL BLK 57"
74	1035617	1	RUBRAIL, VINYL FLEX BLK 55"
75	1039940	1	INSERT, VINYL FLEX BLK 55"
75	1009943	112	SCR, TAP#10A X 1.5" PTH
76	1035369	1	CAP, RUBRAIL END PORT
76	1035351	1	CAP, RUBRAIL END HWY DUTY PORT
77	1035385	1	CAP, RUBRAIL END STBD
77	1035377	1	CAP, RUBRAIL END HWY DUTY STBD
78	1008747	4	SCR, TAP#10A X 1.5" PTH
79	1008762	2	SCR, TAP#10A X 3/4" PTH
80	1034925	1	CAP, BOW RUBRAIL
80	1034917	1	CAP, BOW RUBRAIL HWY DUTY
81	1008523	2	SCR, TAP#10A X 1.5" POH
82	1040948	8	TRIM, VINYL RIGID 1" X 1.5" BLK
83	1008762	10	SCR, TAP#10A X 3/4" PTH
84	1034842	1	CHAFE PLT, BOW
85	1009950	4	SCR, MACH#1/4-20 X 1" PPH
86	0590646	2	CLIP, BLK STRG POLE
87	1008747	2	SCR, TAP#10A X 1.5" PTH
88	0998732	2	DECAL, OR DK GRAY HIBOSSCAL
89	0997924	2	DECAL, 24" FIRE RED HIBOSSCAL
89	0997890	2	DECAL, 24" CORBIN DK BLU HIB
89	0997916	2	DECAL, 24" DK GRN HIBOSSCAL
90	0998559	1	DECAL, HARP PORT FIRE RED
90	0998450	1	DECAL, HARP PORT CORBIN DL BLU
90	0998542	1	DECAL, HARP PORT DK GRN
91	0998609	1	DECAL, HARP STBD FIRE RED
91	0998476	1	DECAL, HARP STBD CORBIN DK BLU
91	0998591	1	DECAL, HARP STBD DK GRN
92	0998104	2	DECAL, BW LOGO 28" FIRE RED
92	0998088	2	DECAL, BW LOGO 28" CORBIN DK BLU
92	0998096	2	DECAL, BW LOGO 28" DK GRN
93	1038009	28	TAPE, SOLID 1" FIRE RED W/PIN
93	1037985	28	TAPE, SOLID, 1" CORBIN DK BLU W/PIN
93	1037993	28	TAPE, SOLID 1" DK GRN W/PIN
94	1043603	1	TERMINAL BLOCK
95	101528	1	TERMINAL BLOCK COVER
96	1010909	4	SCR, TAPPING, #14x1.5" PTH
97	1010677	2	SCR, TAP#8A X 5/8" PPH

24' OUTRAGE HULL ASSY

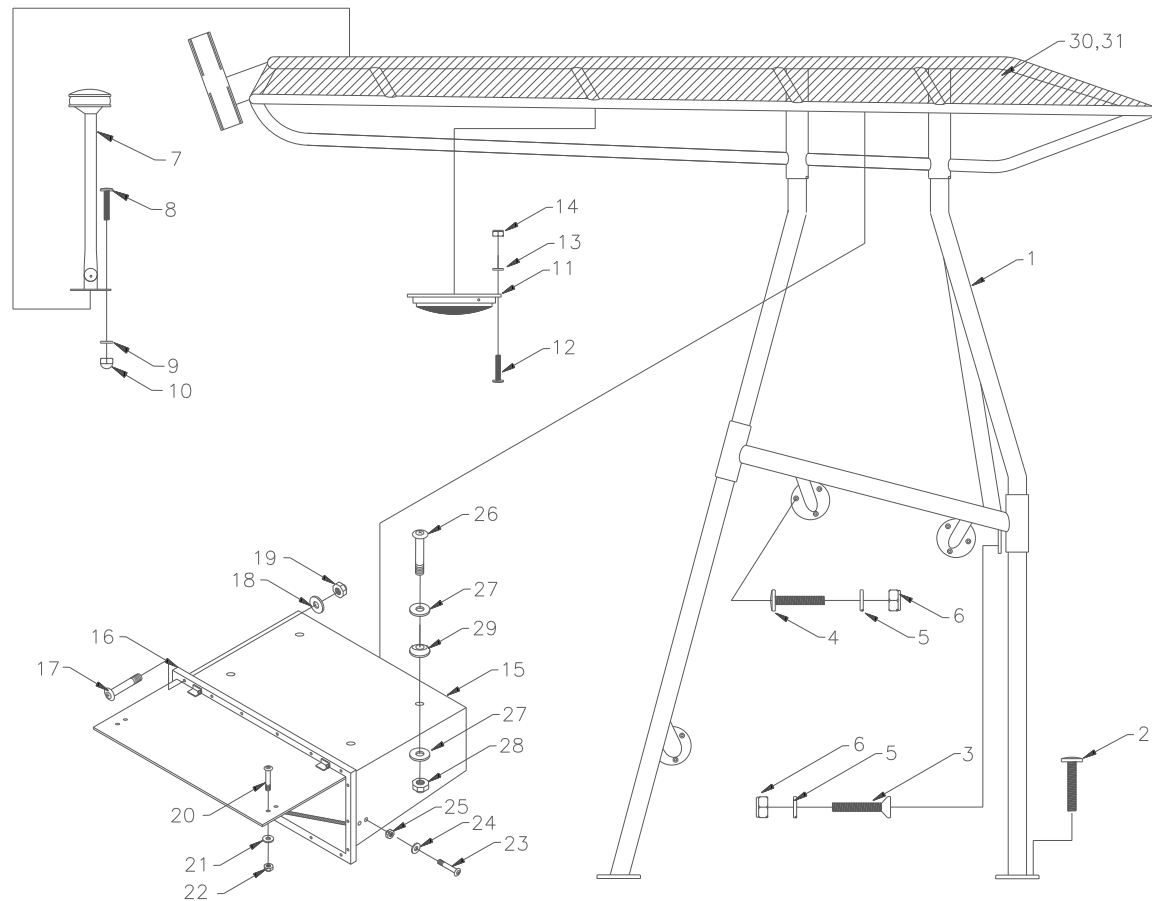


24' OUTRAGE HULL ASSY

Det	P/N	Qty	Descr.	Det	P/N	Qty	Descr.
1	1061472	1	CVR, FUEL TANK	63	22-0845-01	1	GUN'L BOARD, STBD FBRGLS
2	1068659	2	ACCESS PLT, PPROP T-OUT 8" WHT	64	1010248	34	P/C TEAK, COAMING BOARD STBD
3	1068642	1	ACCESS PLT, PPROP T-OUT 6" WHT	65	1008754	2	SCR, TAP#10A X 1.5" PPH
4	0189415	18	RVT, POP/BLIND#3/16 X 5/8" ALUM	66	1027010	2	SCR, TAP#10A X 2" PTH
5	1001197	1	CVR, BUS BAR BLK	67	1009950	4	SCR, MACH#1/4-20 X 1" PPH
6	0189415	5	RVT, POP/BLIND#3/16 X 5/8" ALUM	68	0189365	4	WASHER, FENDER 1/4" X 1.25"
7	1008747	4	SCR, TAP#10A X 1.5" PTH	69	1009786	4	NUT, LOCK#1/4-20
8	1008754	20	SCR, TAP#10A X 2" PTH	70	1010313	4	SCR, TAP#14A X 3/4" PPH
9	1061449	1	CVR, STRG PORT FBRGLS	71	1035286	2	HLD, ROD FLUSH MNT W/BW LOGO
10	1061456	1	CVR, STRG STBD FBRGLS	72	1010438	6	SCR, MACH#1/4-20 X 1.5" PPH
11	1039247	2	BUMPER, BLK 3/4" DIA X 1/4" THK	73	0152926	6	WASHER, FLAT#1/4"
12	1014489	2	HINGE, HATCH LGR BASE	74	1009786	6	NUT, LOCK#1/4-20
13	1010545	12	SCR, MACH#10-24 X 5/8" POH	75	1030568	2	BRKT, GUN'L SUPPORT
14	1040187	12	NUT, BBL#10-24 X 3/8" FH	76	1008697	8	SCR, TAP#14A X 1.5" PPH
15	1010248	8	SCR, TAP#10A X 1.5" PPH	77	1058668	1	TRIM, HDPE ANCHOR LCKR SEAFM
16	0995134	2	HASP, SWIVEL FLUSH MNT	78	1010552	5	SCR, TAP#10A X 3/4" PPH
17	1010362	4	SCR, TAP#6A X 1/2" PPH	79	1001122	1	CVR, 10.25" POUR HOLE EHT
18	1008556	4	SCR, TAP#6A X 1.25" PPH	80	1061761	1	GATE, TRANSOM FBRGLS
19	1061548	1	CVR, ANCHOR LCKR FBRGLS	81	0995167	3	HINGE, DOOR 1.5" X 2.25"
20	1034552	1	FRAME, ANCHOR LCKR EDGE GUARD	82	1010545	6	SCR, MACH#10-24 X 5/8" POH
21	1008796	2	SCR, TAP#6A X 1/2" PTH	83	1040211	6	NUT, BBL#10-24 X 3/8" TH
22	0995159	2	HINGE, DOOR 1.5" X 3"	84	1008507	6	SCR, TAP#10A X 1" PTH
23	1008507	4	SCR, TAP#10A X 1" PPH	85	1033042	2	BOLT, BARREL CHROME
24	1010545	6	SCR, MACH#10-24 X 5/8" POH	86	1010396	12	SCR, TAP#6A X 5/8" PPH
25	1040187	6	NUT, BBL#10-24 X 3/8" FH	87	1061779	1	CLOSEOUT, TRANSOM P/S FBRGLS
26	0688564	1	CYLN, GAS 30PSI 20" EXT X 12"	88	1008713	8	SCR, MACH#8-32 X 1" PTH
27	0995084	1	BRKT, LFT CYL OFFSET W/STUD	89	0152900	8	WASHER, FLAT#8
28	1008812	2	SCR, TAP#8A X 1/2" PTH	90	1008927	8	NUT, LOCK#8-32
29	0817676	1	BRKT, LFT CYL 90DEG 0.7" W/STUD	91	1008804	8	SCR, TAP#8A X 1" PTH
30	1010925	2	SCR, TAP#8A X 5/8" PTH	92	1016153	2	ACCESS PLT, PPROP T-OUT 5" WHT
31	1040898	1	LATCH, HANDLE HATCH	93	0192120	12	RVT, POP/BLIND#3/16 X 3/8"
32	1010362	4	SCR, TAP#6A X 1/2" PPH	94	1043223	1	BOOT, CABLE 3" BLK
33	1014513	1	LOCK, STRIKE	95	1010925	6	SCR, TAP#8A X 5/8" PTH
34	1010925	2	SCR, TAP#8A X 5/8" PTH	NOT SHOWN			
35	22-0944-00	1	CVR, MOTORWELL FBRGLS	1016898	1	LABEL, VENT HOSE NO DRILL	
36	1068642	2	ACCESS PLT, PUS T-HANDLE 6" WHT	1016443	1	LABEL, FUEL TANK NO DRILL	
37	0682302	1	HATCH, UTILITY 13" X 23" WHT	1016484	1	LABEL, NO SMOKING FUEL TK	
38	0189415	30	RVT, POP/BLIND#3/16 X 5/8" ALUM	0995704	1	PLATE, WARN FUEL HAZARD	
39	1008754	4	SCR, TAP#10A X 2" PTH	1016963	1	LABEL, WARN WIRES BENEATH N DRILL	
40	1068204	1	CVR, RIGGING ACCESS STBD SEAFM	0995845	1	PLATE, NMMA	
40a	1126085	1	CVR, RIGGING ACCESS PORT SEAFM	0192047	4	RVT, POP/BLIND#1/8 X 3/8" ALUM	
41	1008739	16	SCR, TAP#10A X 1" PTH	0525999	1	KEY, DECK PLATE CAP	
42	1061407	2	CVR, FISHWELL FBRGLS	1031228	1	PACKET, OWNERS DOCUMENTS	
43	0995159	6	HINGE, DOOR 1.5" X 3"	1031236	1	MANUAL, OWNERS	
44	1008507	12	SCR, TAP#10A X 1" PPH	1043256	2	FLANGE, RIGGING 2" BLK	
45	1010545	18	SCR, MACH#10-24 X 5/8" POH	1043299	7	HOSE, SANI 2" ID RIGGING TUBE BLK	
46	1040187	18	NUT, BBL#10-24 X 3/8" FH				
47	1014455	4	HANDLE, HATCH				
48	1010362	8	SCR, TAP#6A X 1/2" PPH				
49	1061464	1	CVR, FWD FLOOR FBRGLS				
50	1008754	4	SCR, TAP#10A X 2" PTH				
51	1012053	1	RAIL, BOW				
52	1008754	18	SCR, TAP#14A X 1.5" PPH				
53	1008697	2	SCR, TAP#14A X 1" PPH				
54	1008614	4	SCR, MACH#1/4-20 X 2" PPH				
55	0152926	4	WASHER, FLAT#1/4"				
56	1009786	4	NUT, LOCK#1/4-20				
57	1027010	5	CLEAR, 8" Hvy DUTY HOLLOW BASE				
58	1010927	4	SCR, TAP#14A X 2" PTH				
59	1009950	16	SCR, MACH#1/4-20 X 1" PPH				
60	0189365	4	WASHER, FENDER 1/4" X 1.25"				
61	1009786	4	NUT, LOCK#1/4-20				
62	22-0845-00	1	GUN'L BOARD, PORT FBRGLS				
63	1001494	1	P/C TEAK, COAMING BOARD PORT				



Det	P/N	Qty	Descr.	Det	P/N	Qty	Descr.
1	1061431	1	BTM. LEAN POST FBRGLS	64	1032499	1	THRU-HULL, BRZ 3/4" W/NUT X-LONG
2	1010909	8	SCR, TAP#14A X 1.5" PTH	65	0557959	1	VALVE, MAR BALL 2-WAY 3/4"
3	0189365	8	WASHER, FENDER 1/4" X 1.25"	66	0567925	1	TAILPIECE, MAR 3/4" MPT X 3/4" BARB
4	1061340	1	TOP. LEAN POST FBRGLS				
5	1012335	1	RAIL, GRAB L/P				
6	1008580	9	SCR, MACH#1/4-20 X 1" PPH				
7	0189365	9	WASHER, FENDER 1/4" X 1.25"				
8	1009786	9	NUT, LOCK#1/4-20				
9	1062930	2	BIN, HDPE/FLEX SEAFM				
10	1008630	12	SCR, MACH#10-24 X 1.25" PPH				
11	0152918	12	WASHER, FLAT#10				
12	1007772	12	NUT, HEX NYLON LOCK#10-24				
13	1043157	1	INSERT, TUNNEL COLLAR WHT				
14	0189415	4	RVT, POP/BLIND#3/16 X 5/8" ALUM				
15	1029107	2	ROD HLDR, 15DEG CHR/BRS				
16	1010438	6	SCR, MACH#1/4-20 X 1.5" POH				
17	0152926	6	WASHER, FLAT#1/4"				
18	1009786	6	NUT, LOCK#1/4-20				
19	1030105	3	WEBBING, STRAP NYLON 1"				
20	1007525	1	CUSH, L/P HARDBACK WHT/GRY				
21	1009786	6	NUT, LOCK#1/4-20				
22	0189365	6	WASHER, FENDER 1/4" X 1.25"				
23	1062637	1	CVR, HDPE LIVEWELL SEAFM				
24	1010347	10	SCR, TAP#4A X1/2" PFH				
25	1033265	1	LATCH, ADJ GRIP				
26	1010669	1	SCR, TAP#8A X 3/8" PPH				
27	1040880	2	HINGE, 1.5" X 3.25"				
28	1010545	6	SCR, MACH#10-24 X 5/8" POH				
29	0151548	6	SCR, MACH#10-24 X 1.5" POH				
30	0152918	12	WASHER, FLAT#10				
31	1007772	12	NUT, HEX NYLON LOCK#10-24				
32	0633891	2	LATCH, DRAW CONCEALED BLK				
33	1010735	4	SCR, MACH#8-32 X 3/4" PTH				
34	1009927	4	NUT, LOCK#8-32				
35	0152900	4	WASHER, FLAT#8				
36	1010198	4	SCR, MACH#6-32 X 1/2" PFH				
37	1009810	4	NUT, LOCK#6-32				
38	0153858	4	WASHER, FLAT#6				
39	1062710	1	HL, HDPE KNIFE/LEADER SEAFM				
40	1010446	3	SCR, MACH#10-24 X 1" POH				
41	0152918	3	WASHER, FLAT#10				
42	1007772	3	NUT, HEX NYLON LOCK#10-24				
43	0995308	1	LIVEWELL, 25GAL DROP-IN				
44	0858944	1	PUMP, SPRAY HEAD LW AERATOR				
45	1043355	1	DRN, STANDPIPE 1 4/8" X 18"				
46	1043363	1	THRU-HULL, PLAS 1 7/8" - 2" TUBE 90D				
47	0628081	1	THRU-HULL, PLAS 2" SCUP W/FLAP				
48	0898551	1	ELB, PVC 1/2" TPT X 3/4" BARB 90DEG				
49	0155978	1	COUPLING, PVC 1/2" FEMALE				
50	0206003	1	TEE, ACETAL 1/2" MPT				
51	1041573	3,1'	TRIM, EDGE VINYL 1" X 3/16" BLK				
52	1035302	1	BULKHD, SPLSH GUARD L/P LW				
53	1008812	3	SCR, TAP#8A X 1/2" PTH				
54	1000983	4	CLEAT, HDPE LIVEWELL BASE				
55	1008739	8	SCR, TAP#10A X 1" PTH				
56	1043736	1	PUMP, RAW WATER				
57	1008739	4	SCR, TAP#10A X 1" PTH				
58	0898551	1	ELB, PVC 1/2" TPT X 3/4" BARB 90DEG				
59	0172651	1	ELB, ACET 1/2" MPT X 1/2" TPT 90D				
60	0158477	1	ELB, ACET 1/2" MPT X 90DEG				
61	0158501	2	NUT/RING/CONE, ACET 1/2" TH X 3/8" OD				
62	0996512	1	FITTING, FRESH WATER OUTLET				
63	0152797	3	SCR, TAP#8A X 3/4" POH				



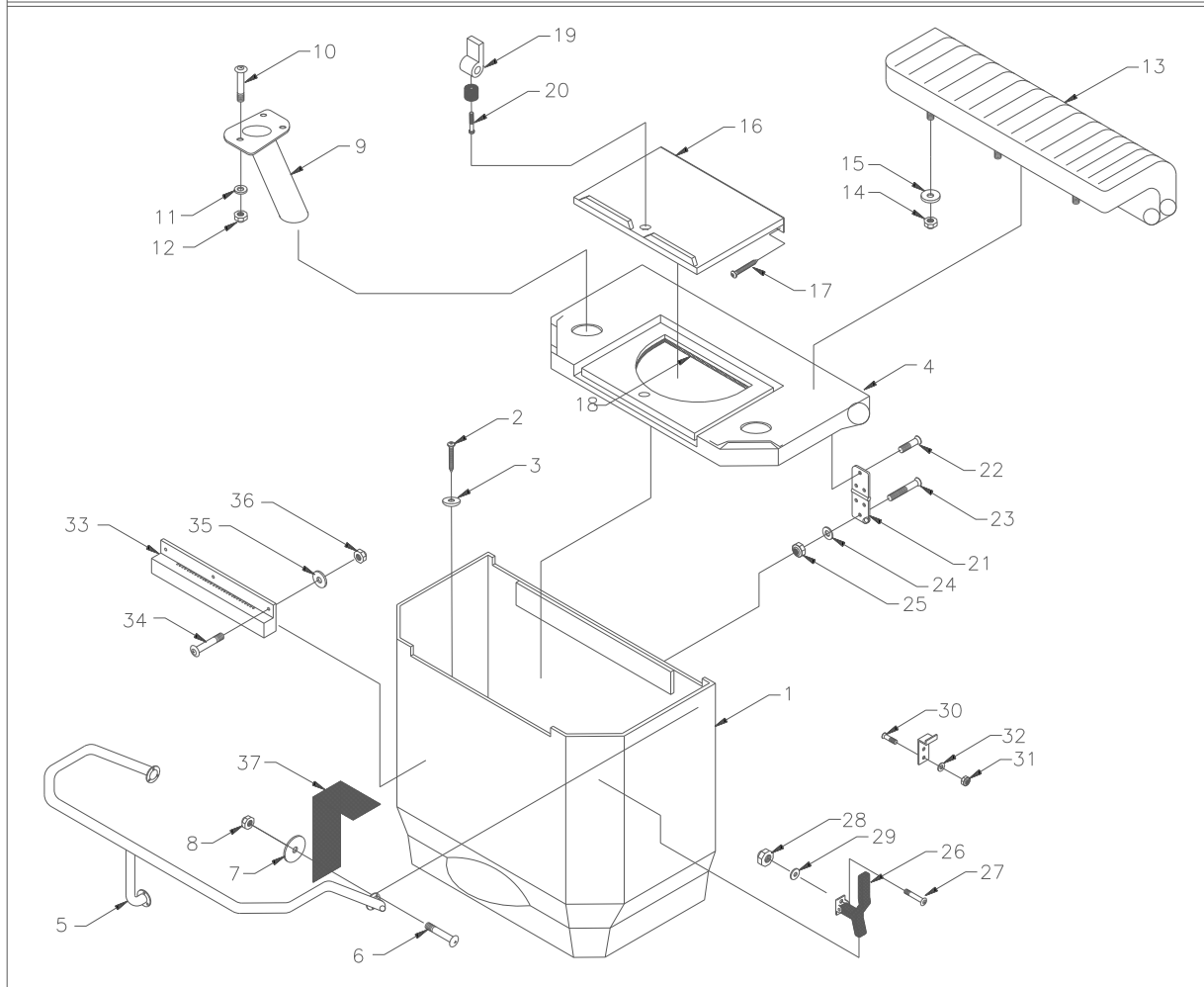
PARTS LIST 24' OUTRAGE T-TOP

Det	P/N	Qty	Desc
1	1016823	1	T-TOP, FRAME
	1016781	1	T-TOP, TOPGUN FRAME
2	1010594	16	SCR, MACH#1/4-20 X 2.5" PPH
3	0153205	5	SCR, MACH#1/4-20 X 1.25" PFH
4	1008630	12	SCR, MACH#10-24 X 1.25" PPH
5	0152926	17	WASHER, FLAT#10
6	1007764	17	NUT, HEX NYLON LOCK#1/4-20
7	1122563	1	LHT, NAV MASTHD VERT MT 12.75"
8	1008630	2	SCR, MACH#10-24 X 1.25" PPH
9	0152918	2	WASHER, FLAT#10
10	0152520	2	NUT, ACORN#10-24
11	1041268	1	LHT, DOME PLAS WHT/RED W/O SWT
12	1008630	3	SCR, MACH#10-24 X 1.25" PPH
13	0152918	3	WASHER, FLAT#10
14	1007772	3	NUT, HEX NYLON LOCK#10-24
15	1061878	1	BOX, T-TOP ELEC FBRLS
16	1001932	1	DOOR, T-TOP ELEC BOX W/FRAE SEAFM
17	1008481	18	SCR, MACH#8-32 X 1" POH
18	0152900	18	WASHER, FLAT#8
19	1009927	18	NUT, LOCK#8-32

Det	P/N	Qty	Desc
20	0150714	4	SCR, TAP#6A X 1/2" POH
21	1026111	4	WASHER, FINISH#6
22	1009810	4	NUT, LOCK#6-32
23	1025931	4	SCR, MACH#4-40 X 1.5" PPH
24	0153858	4	WASHER, FLAT#6
25	1007806	4	NUT, HEX NYLON LOCK#4-40
26	0153262	4	SCR, CAP#1/4-20 X 1.25" HEX HD
27	0152926	8	WASHER, FLAT#1/4"
28	1009786	4	NUT, LOCK#1/4-20
29	1039437	4	BUMPER, RECESSED BLK
30	1023969	1	CANVAS, T-TOP CVR RED
	1023944	1	CANVAS, T-TOP CVR BLUE
	1023951	1	CANVAS, T-TOP CVR GRN
31	1023894	1	CANVAS, T-TOP TOPGUN CVR RED
	1023878	1	CANVAS, T-TOP TOPGUN CVR BLUE
	1023886	1	CANVAS, T-TOP TOPGUN CVR GRN

NOT SHOWN

	36-J299-00	1	HARNESS, TOP
	0998732	1	DECAL, OR DK GRAY HIBOSSCAL



PARTS LIST: 24' OUTRAGE L/P STORAGE

Det	P/N	Qty	Desc
1	1061431	1	BTM, LEAN POST FBRGLS
2	1010909	8	SCR, TAP#14A X 1.5" PTH
3	0189365	8	WASHER, FENDER 1/4" X 1.25"
4	1061340	1	TOP, LEAN POST FBRGLS
5	1012335	1	RAIL, GRAB L/P
6	1008580	9	SCR, MACH#1/4-20 X 1" PPH
7	0189365	9	WASHER, FENDER 1/4" X 1.25"
8	1009786	9	NUT, LOCK#1/4-20
9	1029107	2	ROD HLDR, 15DEG CHR/BRS
10	1010438	6	SCR, MACH#1/4-20 X 1.5" POH
11	0152926	6	WASHER, FLAT#1/4"
12	1009786	6	NUT, LOCK#1/4-20
13	1007525	1	CUSH, L/P HARDBACK WHT/GRY
14	1009786	6	NUT, LOCK#1/4-20
15	0189365	6	WASHER, FENDER 1/4 X 1.25"
16	1062637	1	CVR, HDPE LIVEWELL SEAFM
17	1010347	10	SCR, TAP#4A X 1/2" PFH
18	1041573	3.1'	TRIM, EDGE VINYL 1" X 3/16"
19	1033265	1	LATCH, ADJ GRIP
20	1010669	1	SCR, TAP#8A X 3/8" PPH
21	1040880	2	HINGE, 1.5" X 3.25"
22	1010545	6	SCR, MACH#10-24 X 5/8" POH
23	0151548	6	SCR, MACH#10-24 X 1.5" POH
24	0152918	12	WASHER, FLAT#10
25	1007772	12	NUT, HEX NYLON LOCK#10-24
26	0633891	2	LATCH, DRAW CONCEALED BLK
27	1010735	4	SCR, MACH#8-32 X 3/4" PTH
28	1009927	4	NUT, LOCK#8-32
29	0152900	4	WASHER, FLAT#8
30	1010198	4	SCR, MACH#6-32 X 1/2" PFH
31	1009810	4	NUT, LOCK#6-32
32	0153858	4	WASHER, FLAT#6
33	1062710	1	HLD, KNIFE/LEADER SEAFM
34	1010446	3	SCR, MACH#10-24 X 1" POH
35	0152918	3	WASHER, FLAT#10
36	1007772	3	NUT, HEX NYLON LOCK
37	1030105	3'	WEBBING, STRAP NYLON 1"