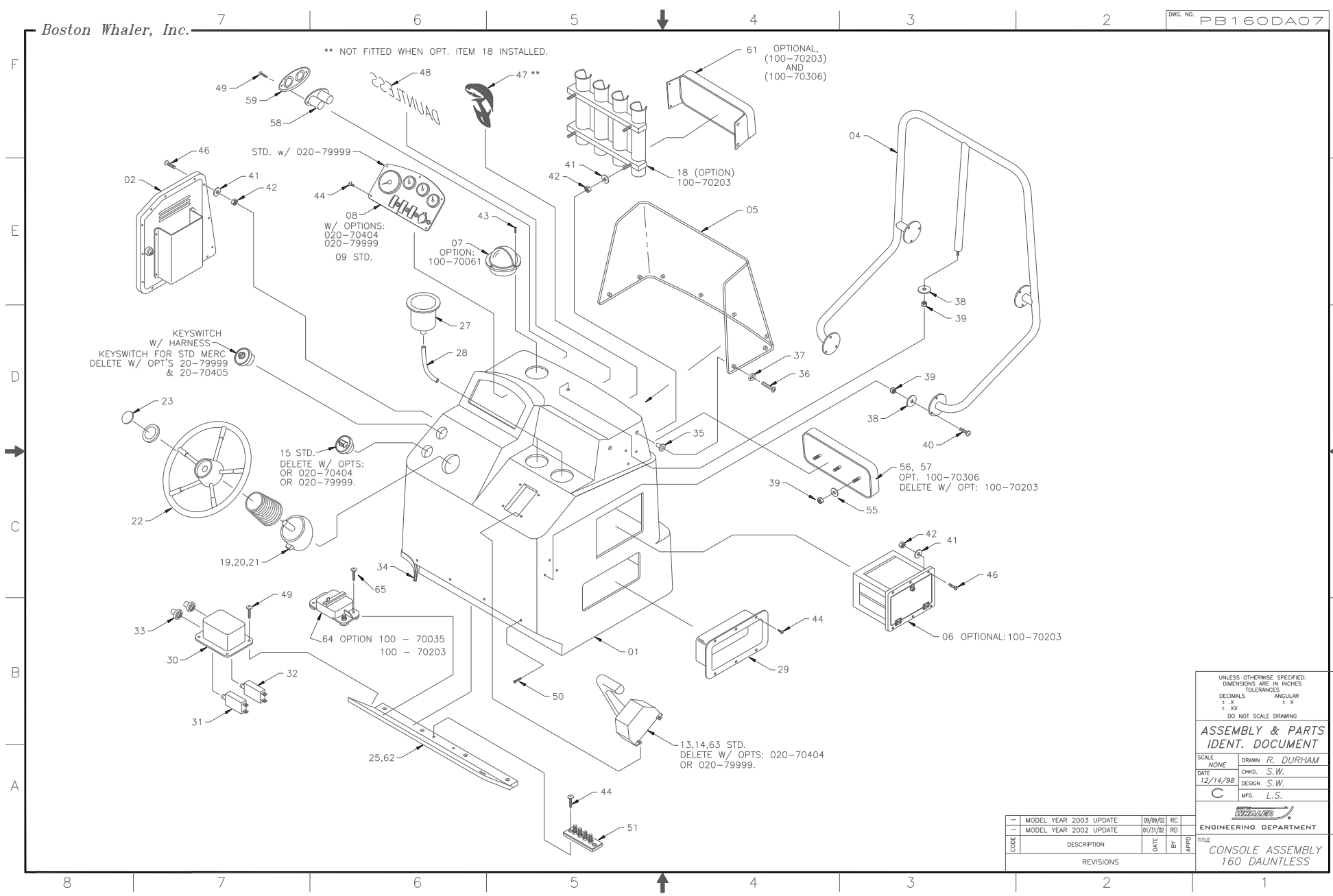


Boston Whaler, Inc.

DWG. NO. PB160DA07



UNLESS OTHERWISE SPECIFIED:  
DIMENSIONS ARE IN INCHES  
TOLERANCES  
DECIMALS      ANGULAR  
± .X              ± X  
± .XX             ± .XX  
DO NOT SCALE DRAWING

**ASSEMBLY & PARTS IDENT. DOCUMENT**

SCALE: NONE      DRAWN: R. DURHAM  
DATE: 12/14/98      CHKD.: S.W.  
DESIGN: S.W.  
MFG.: L.S.

ENGINEERING DEPARTMENT

TITLE: CONSOLE ASSEMBLY 160 DAUNTLESS

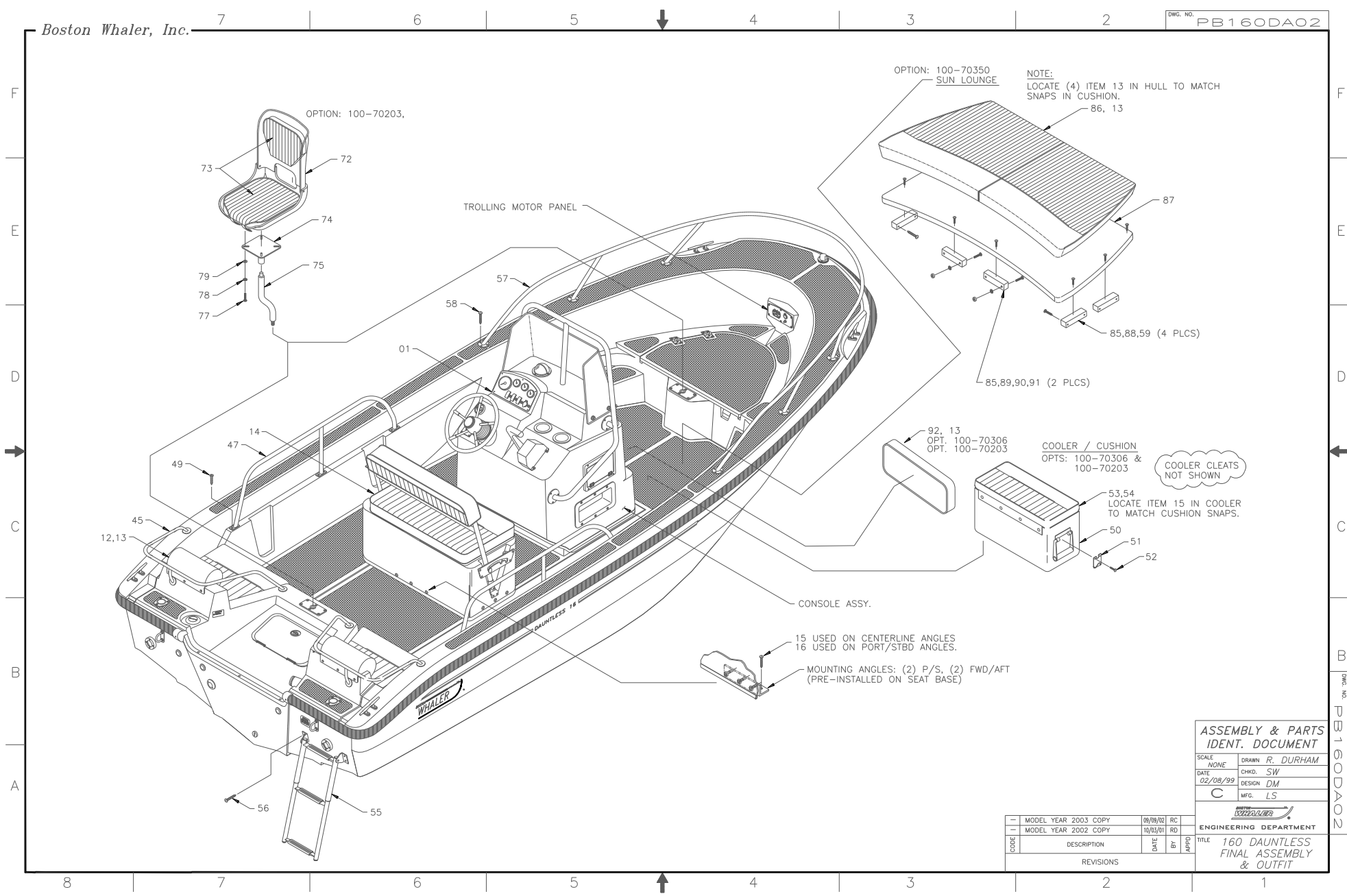
CODE	DESCRIPTION	DATE	BY	APPD
-	MODEL YEAR 2003 UPDATE	09/09/02	RC	
-	MODEL YEAR 2002 UPDATE	07/31/02	RD	
REVISIONS				

# MODEL YEAR 2003 PARTS LIST

BOAT MODEL: 160 DAUNTLESS  
DOCUMENT CONTROL NO: PB160DA08

ITEM	QTY.	U/M	DESCRIPTION	B.W.I. NO.
01	1	EA	FIBERGLASS PART, CONSOLE 160DA-99	22J87100
02	1	EA	DOOR, HDPE BW160DA-03/17MTK-03 CNSL	1733422
03	1	EA	RAIL, GRAB BW140DA-99 LO-PATT CNSL SS	1249275
04	1	EA	RAIL, GRAB HI-PATT CONSOLE	1012087
05	1	EA	W/S, BW160DA-02 CNSL CLEAR	1614676
06	1	EA	BOX, HDPE TACKLE SEAFOAM	1057231
07	1	EA	COMPASS, FLUSH MT 3 7/8" BLK HOUSE/GRN LIGHT	1617638
08	1	EA	PANEL, BLANK:BW160DA-03 W/SWITCH	1719432
09	1	EA	PANEL, BW160DA-03 INST MERC ANALOG W/SWITCHES	1719433
13	1	EA	CONTROL, CNSL MNT W/O HARNESS	1578103
14	2	EA	CABLE, CONTROL MERCURY 14'	0171132
15	2	EA	ACC PART, MERC SW (SAFETY ASSY)	0882605
18	1	EA	ROD-HOLDER, 4-ROD ASSY., SEAFOAM	1068600
19	1	EA	STEERING, PERFORMANCE TILT MECHANISM	0662510
20	1	EA	STEERING, CABLE NFB W/ ENDS 14'	0704239
21	1	EA	STEERING, HELM PERFORMANCE NFB TILT	0997213
22	1	EA	STEERING WHEEL, 14" 5-SPOKE SS 22DEG BLK GRIP	1716617
23	1	EA	EMBLEM, BW STEERING WHEEL CAP	1021054
25	1	ST	PANEL, HDPE CLOSEOUT CONSOLE	1193093
26	1	EA	DRAIN, 1" IMPACT W/O BARB BLK	1041953
27	2	EA	DRINKHOLDR, PLAS W/DRAIN DEEP XLG SZ BLK	1727419
28	6	FT	HOSE, PVC CLEAR 3/8"	0124347
29	1	EA	BOX, ABS FIRE EXT SHORT WHT	1037555
30	1	EA	BOX, ABS HARNESS	1037530
31	1	EA	BRKR/SWITCH, PUSH BUTTON 30A ETA	0365775
32	1	EA	BRKR, MANUAL RESET 5A	0670497
33	2	EA	BOOT, RESET BRKR CLEAR	1066547
34	13	FT	MOLDING, VINYL "L" OFF-WHT W/ADH	1020924
35	8	EA	NUT, WELL	1033422
36	8	EA	SCREW, MACHINE #10-32 x 1-1/4" PFH	1010107
37	8	EA	WASHER, FINISH #10 SS	0896258
38	12	EA	WASHER, FENDER 1/4 x 1.25" SS	0189365
39	12	EA	NUT, HEX NYLON LOCK 1/4-20 SC	1007764
40	12	EA	SCREW, MACHINE 1/4-20 x 1.25" PPH	0151746
41	21	EA	WASHER, FLAT #10 SS	0152918
42	21	EA	NUT, HEX NYLON LOCK #10-24	1007772
43	3	EA	SCREW, TAPPING #6 x 3/4" POH	1008564
44	14	EA	SCREW, TAPPING #8 x 5/8" PTH	1010925
45	1	EA	LIGHT, NAV A/R STERN 62" 20DEG BEND	1576552
46	17	EA	SCREW, MACHINE #10-24 x 1.25" POH	1008424
47	1	EA	DECAL, BW TUNA FIRE RED	0998831
48	1	EA	DECAL, BW DAUNTLESS DK GRAY HIBOSC	1030683
49	4	EA	SCREW, TAPPING #8 x 1/2" PTH	1008812
50	4	EA	SCREW, TAPPING #8 x 3/4" PFH	1008408
51	1	EA	BUSS BAR, BONDING SYSTEM	1031798
55	3	EA	WASHER, FLAT #1/4" SC	1260769
56	1	EA	CUSHION, FWD SEAT PORT B/R WHT/GRY	1231992
57	12	EA	SNAP STUD w/ #8 x 3/8" PH	0203786
58	1	EA	HORN, DUAL BLK W/SPADE CONNECTORS SERIES 84	1413475
59	1	EA	HORN, GRILL DUAL SS OVERLAY SERIES 84	1401736
60	2	EA	SCREW, TAPPING #6A X 5/8" POH SC	1008572
61	1	EA	CUSH, BW160DA-02 CNSL ROD HLD R WHT	1588680
62	1	EA	PANEL, HDPE BW140/160DA-00 CLSOUT CNSL SML	1474923
63	4	EA	SCREW, TAPPING #10A X 1" PTH SC	1008739
64	1	EA	BRKR, SURF MNT THERMAL 50AMP SWITCHABLE	1475441
65	2	EA	SCREW, TAPPING #10A X 3/4" PPH SC	1172030





**ASSEMBLY & PARTS IDENT. DOCUMENT**

SCALE	NONE	DRAWN	R. DURHAM
DATE	02/08/99	CHKD.	SW
		DESIGN	DM
		MFG.	LS

ENGINEERING DEPARTMENT

CODE	DESCRIPTION	DATE	BY	APPD
-	MODEL YEAR 2003 COPY	09/09/02	RC	
-	MODEL YEAR 2002 COPY	10/03/01	RD	
REVISIONS				

TITLE 160 DAUNTLESS FINAL ASSEMBLY & OUTFIT

DWG. NO. PB160DA02

## MODEL YEAR 2003 PARTS LIST

BOAT MODEL: 160 DAUNTLESS  
DOCUMENT CONTROL NO: PB160DA03

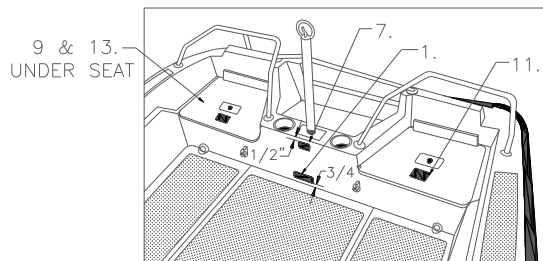
ITEM	QTY.	U/M	DESCRIPTION	B.W.I. NO.
01	1	EA.	CONSOLE ASSEMBLY PB160DA*	*07-08
02	9	EA.	SCREW, TAPPING #14 x 1.5" PFH	1008382
03	9	EA.	WASHER, FINISH #12 SS	0958868
04	1	ST	PANEL, HDPE CLOSEOUT CONSOLE	1193093
05	5	EA.	SCREW, TAPPING #8 x 1.5" POH	0150821
06	4	EA.	SCREW, TAPPING #8 x 3/4" PFH	1008408
07	1	EA.	CUSHION, QTR SEAT PORT WHT/GRY	1171529
08	1	EA.	CUSHION, QTR SEAT STBD WHT/GRY	1171586
09	1	EA.	CUSHION, BOW WHT/GRY	1171545
10	2	EA.	CLEAT, HDPE COOLER 54QT, SEAFOAM	1073246
11	6	EA.	SCREW, TAPPING #14 x 1.5" PFH SC	1008382
12	2	EA.	CUSHION, QTR SEAT BACKREST WHT/GRY	1175678
13	16	EA.	SNAP STUD W/ #8 x 3/8" PH	0203786
14	1	EA.	REVERSIBLE PILOT SEAT ASSY. PB160DA*	*09-10
15	6	EA.	SCREW, TAPPING #14 x 1" PPH	1008689
16	6	EA.	SCREW, TAPPING #14 x 1.5" PPH	1008697
17	2	EA.	ROD/SKI-HOLDER, HDPE STBD	1453596
18	2	EA.	ROD/SKI-HOLDER, HDPE PORT	1453588
21	2	EA.	STRAP, ROD-TAMER 18" DECK MT.	1087907
22	4	EA.	HOOK, FENDER SS	1043033
23	8	EA.	SCREW, TAPPING #8 x 1/2" POH	1010578
24	4	EA.	SCREW, TAPPING #8A X 5/8" PTH SC	1010925
25	16	EA.	SCREW, TAPPING #10 x 1.5" PPH	1010610
32	1	EA.	STERNDECK ASSEMBLY PB160DA*	*11-12
33	6	EA.	SCREW, TAPPING #10 x 1.5" PFH	1010248
34	2	EA.	THRU-HULL, PVC PRESS FIT	1042084
35	2	EA.	NUT, PVC RETAINING THRU-HULL	1042068
36	1	EA.	RUBRAIL, PLASTIC CHAR 40'	1020858
37	1	EA.	INSERT, RUBRAIL CHAR FLEX 40'	1020817
40	100	EA.	SCREW, TAPPING #10A x 1.5" PFH	1009943
41	1	EA.	CAP, RUBRAIL END PORT	1171602
42	1	EA.	CAP, RUBRAIL END STBD	1171644
43	1	EA.	TRIM, HDPE TRANS BLACK	1205624
44	3	EA.	SCREW, TAPPING #8 x 5/8" PTH	1010925
45	1	EA.	RAIL, GRAB STERNDECK PORT	1184803
46	1	EA.	RAIL, GRAB STERNDECK STBD	1184811
47	1	EA.	RAIL, SIDE PORT	1070978
48	1	EA.	RAIL, SIDE STBD	1070960
49	14	EA.	SCREW, TAPPING #10A x 1-1/2" PPH	1010610
50	1	EA.	COOLER, 54 QT. WHT	1016419
51	2	EA.	HOOK, PLAS COOLER WHT	1043181
52	4	EA.	SCREW, TAPPING #10A x 1" PTH	1008739
53	1	EA.	CUSH, COOLER 54QT WHT/GRY	1006725
54	6	EA.	SNAP STUD W/#8 x 3/8" PH	0203786
55	1	EA.	LADDER, SWIM 3-STEP TELESCOP TRANS	1171883
56	4	EA.	SCREW, TAPPING #14A x 1.5" PTH	1010909
57	1	EA.	RAIL, BOW SS	1171552
58	18	EA.	SCREW, TAPPING #14A x 1.5" PPH	1008697
59	6	EA.	SCREW, TAPPING #10A x 1.5" PTH	1008747
60	-	-	-	-
63	4	EA.	SCREW, TAPPING #10A x 2" PTH	1008754
(*1)	71	1	EA. CANVAS, BIM TOP W/BOOT RED	1171578
			EA. CANVAS, BIM TOP W/BOOT BLUE	1171560
72	2	EA.	SEAT, BW-97 FISHING WHT	1038876
73	2	EA.	CUSH, BW130DA-97 FISHING SEAT WHT/GRY	1006675
74	2	EA.	BRACKET, BW130/150DA-97 MOUNT FISHING	1043553
75	2	EA.	OFFSET, EXT BW-98 FISH PED	1076975
77	8	EA.	SCREW, MACHINE 1/4-20 x 1.5" PPH	1008598
78	8	EA.	WASHER, STAR 1/4" SS	1008929
79	8	EA.	WASHER, FLAT 1/4" SS	0152926
*	80	1	EA. DIAGRAM, WOOD LCTN BW160DA-99	1184936
(*2)	82	1	EA. SWITCH, BATTERY ON/OFF W/O LOCK	0162701
(*2)	83	1	EA. DECLARATION OF CONFORMITY	1184860
85	6	EA.	CLEAT, SUN LOUNGE FILLER	1354307
86	1	EA.	CUSHION, SUN LOUNGE FILLER	1324730
87	1	EA.	SUN LOUNGE	22J91400
88		EA.	SCREW, TAPPING, #14A x 2" PTH	1008770
89		EA.	SCREW, MACHINE, 1/4-20 x 2" PPH	1008614
90		EA.	NUT, NYLOCK HEX, 1/4-20	1007764
91		EA.	WASHER, FENDER, 1/4" x 1.25	0189365
92	1	EA.	CUSH, BW160DA-02 CNSL ROD HLDR WHT	1588680

**BOM NOTES:**

\* NOT SHOWN

(\*1) OPTION: 100-70515, SUNTOP (NOT SHOWN)

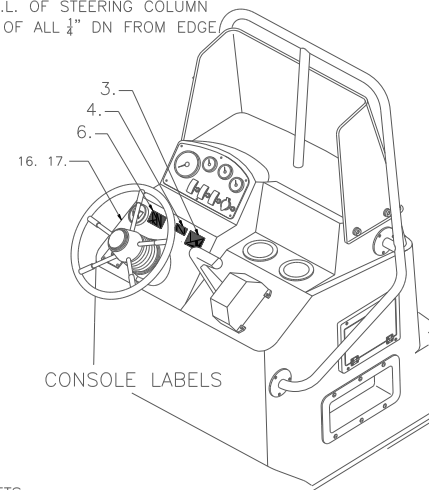
(\*2) OPTION: 100-70998, CE OPTION, (NOT SHOWN)



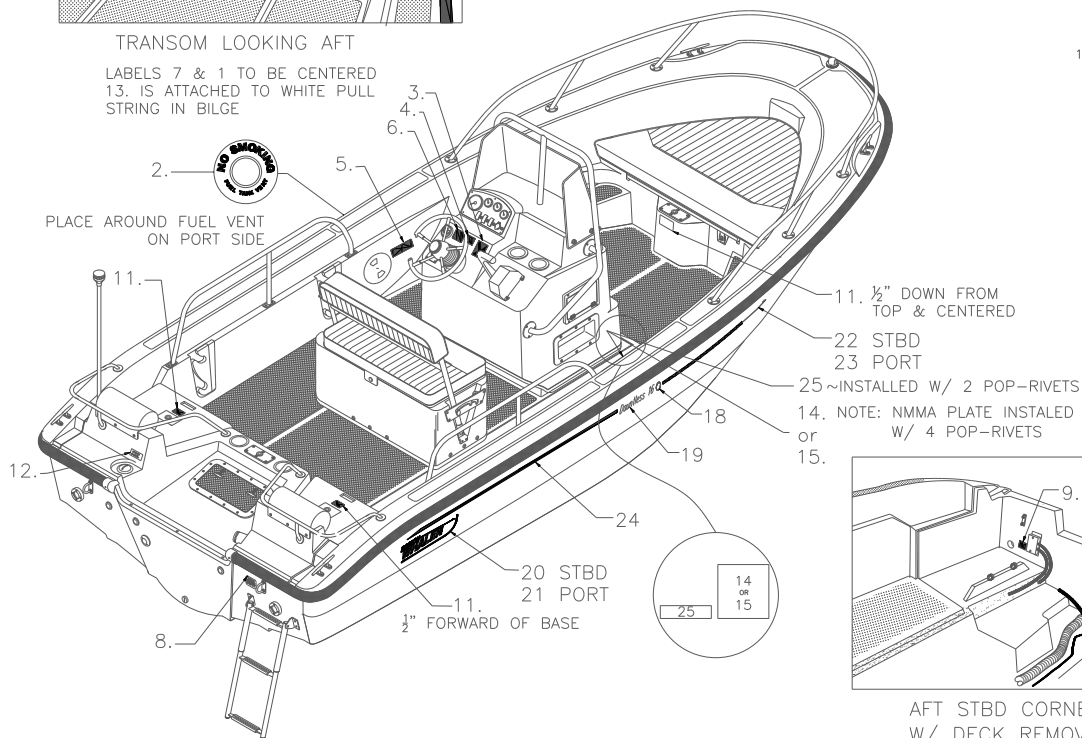
TRANSOM LOOKING AFT

LABELS 7 & 1 TO BE CENTERED  
13. IS ATTACHED TO WHITE PULL STRING IN BILGE

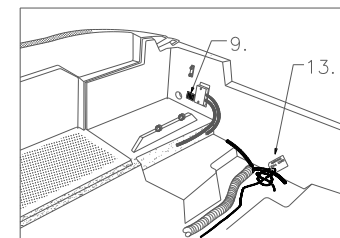
NOTE: PLACE #3-1/2" OFF TOP STBD CORNER  
PLACE #6-3/4" STBD OF KEY SWITCH  
#4 OVER C.L. OF STEERING COLUMN  
ALIGN TOP OF ALL 1/4" DN FROM EDGE



CONSOLE LABELS



2. NO BACKFIRE  
PLACE AROUND FUEL VENT ON PORT SIDE



AFT STBD CORNER W/ DECK REMOVED

ASSEMBLY & PARTS IDENT. DOCUMENT

SCALE	NONE	DRAWN	HR
DATE	09/18/01	CHKD.	RD
		DESIGN	LS
		MFG.	MM

ENGINEERING DEPARTMENT

CODE	DESCRIPTION	DATE	BY	APPRO
-	MODEL YEAR 2003 UPDATE	09/10/02	RC	
-	MODEL YEAR 2002 COPY	09/18/01	RD	
REVISIONS				

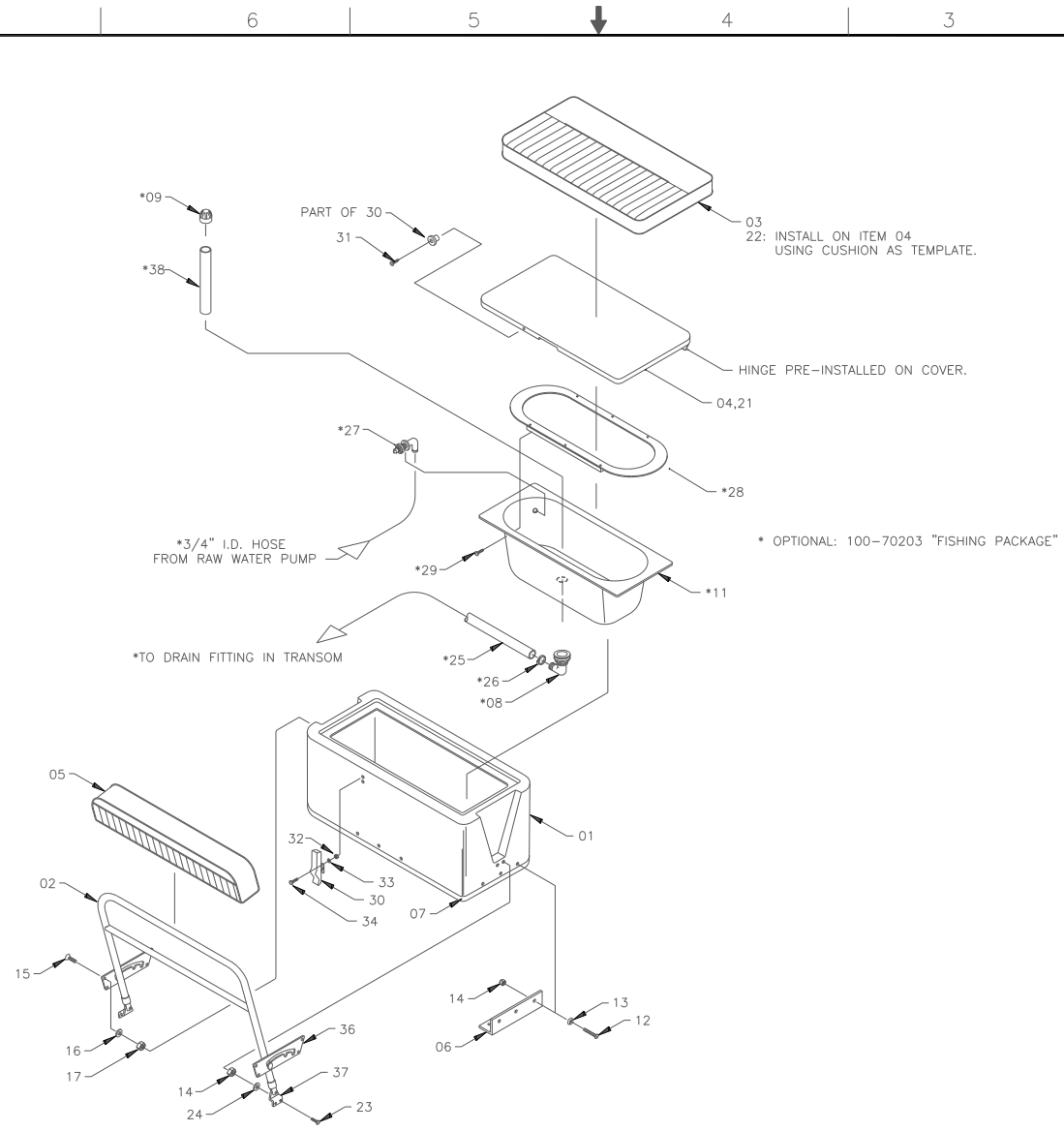
TITLE LABEL LOCATIONS, 160 DAUNTLESS

DWG. NO. PB160DA13

# MODEL YEAR 2003 PARTS LIST

BOAT MODEL: 160 DAUNTLESS  
DOCUMENT CONTROL NO: PB160DA14

ITEM	QTY.	U/M	DESCRIPTION	B.W.I. NO.
01	1	EA.	LABEL, BW FUEL TANK- NO DRILL	1016443
02	1	EA.	LABEL, BW NO SMOKING - FUEL VENT	1016484
03	1	EA.	LABEL, BW SAFETY HI PERF- BOAT	1017136
04	1	EA.	LABEL, BW STEERING PULL WARNING	1016518
05	1	EA.	LABEL, BW VENT HOSE NO DRILL	1016898
06	1	EA.	LABEL, BW WARNING FUEL GAUGE READ	1016534
07	1	EA.	LABEL, BW SKI PYLON	1590140
08	1	EA.	LABEL, BW WARNING SWIM PLTFORM	1016948
09	1	EA.	LABEL, BW WARNING TERMINAL BLOCK	1016922
10	1	EA.	LABEL, BW WINDSHIELD CARE	1016955
11	3	EA.	PLATE, BW 99 CAUTION FISHING PED SEAT POSITION	1230135
12	1	EA.	WARNING FUEL HAZARD	0995704
13	1	EA.	TAG, BW DO NOT PULL RIGGING	0999755
14	1	EA.	PLATE, NMMA 02-BW 160DA	1619816
15	1	EA.	PLATE, CE 02-BW 160DA	1619824
16	1	EA.	LABEL. BILGE (LEXAN)	756866
17	1	EA.	LABEL, BW DC MAIN BREAKER	1075282
18	2	EA.	DECAL, BW 160 FIRE RED	1620822
	2	EA.	DECAL, BW 160 CORBIN DK BLUE	1620830
19	2	EA.	DECAL, BW DAUNTLESS	1030683
20	1	EA.	DECAL, BW LOGO 18" RED STBD	1457654
	1	EA.	DECAL, BW LOGO 18" BLUE STBD	1457662
21	1	EA.	DECAL, BW LOGO 18" PORT	1452663
	1	EA.	DECAL, BW LOGO 18" BLUE PORT	1452671
22	1	EA.	DECAL, HARPOON STBD RED	998609
	1	EA.	DECAL, BW HARPOON STBD BLUE	998476
23	1	EA.	DECAL, BW HARPOON PORT RED	998559
	1	EA.	DECAL, HARPOON STBD BLUE	998450
24	24	FT.	TAPE. SOLID 1" FIRE RED W/ PIN STRP	1038009
	24	FT.	TAPE, SOLID 1" CORBIN BLUE W/ PIN STRP	1037985
25	1	FT.	PLATE, BW-03 MAX ENG WT 410LB/185KG	1735926



UNLESS OTHERWISE SPECIFIED:  
DIMENSIONS ARE IN INCHES  
TOLERANCES  
DECIMALS      ANGULAR  
± .X              ± X  
± .XX             ± .XX  
DO NOT SCALE DRAWING

**ASSEMBLY & PARTS IDENT. DOCUMENT**

SCALE	NONE	DRAWN	R. DURHAM
DATE	03/05/99	CHKD.	S.W.
		DESIGN	S.W.
		MFG.	L.S.

**ENGINEERING DEPARTMENT**

TITLE  
REVERSIBLE PILOT SEAT ASSY., 160DA

CODE	DESCRIPTION	DATE	BY	APPD
-	MODEL YEAR 2003 COPY	09/09/02	RC	
-	MODEL YEAR 2002 UPDATE	02/01/02	RO	
REVISIONS				



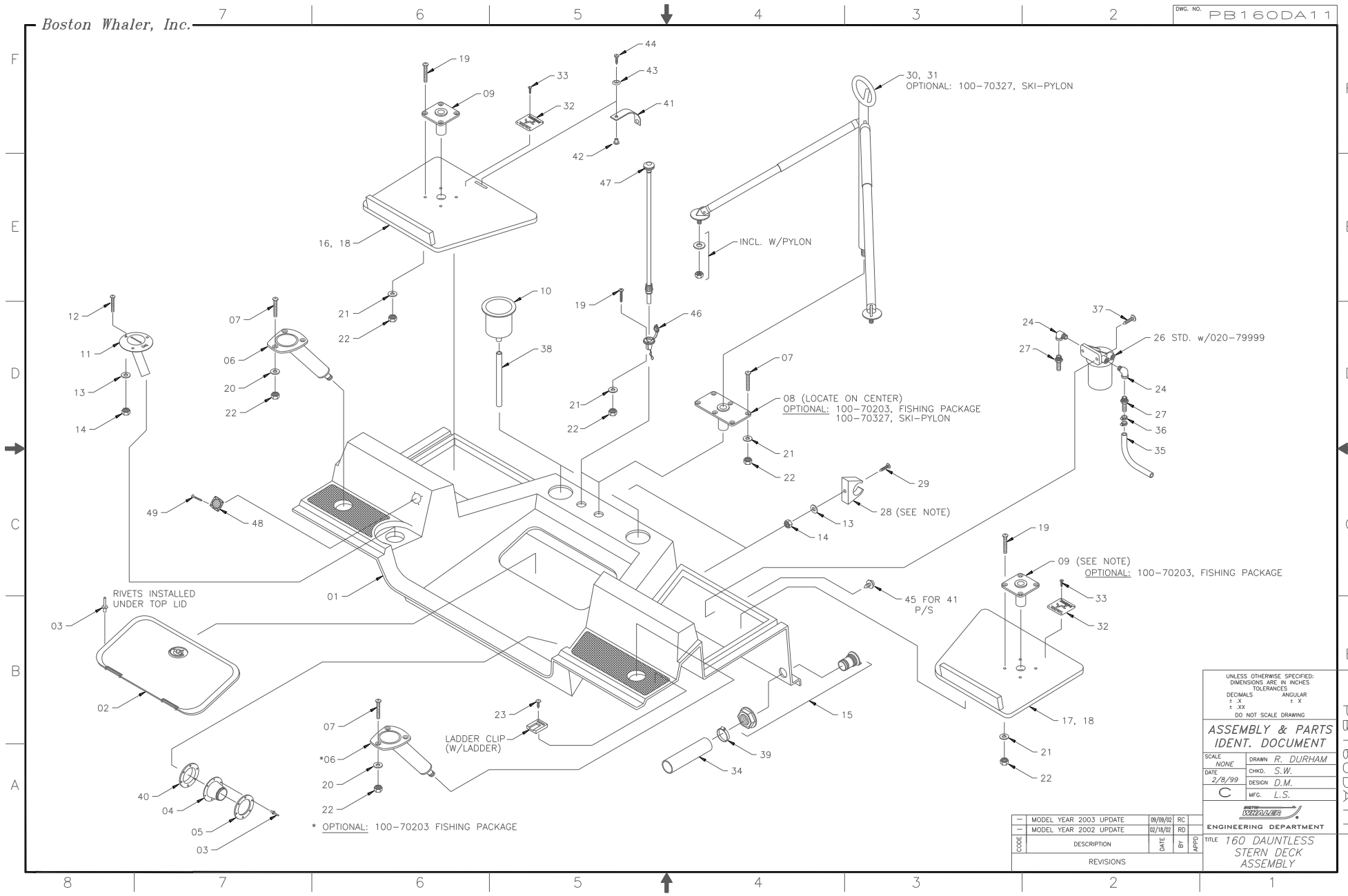
# MODEL YEAR 2003 PARTS LIST

BOAT MODEL: 160 DAUNTLESS  
DOCUMENT CONTROL NO: PB160DA10

ITEM	QTY.	U/M	DESCRIPTION	B.W.I. NO.
01	1	EA	FIBERGLASS PART, REVERS. PILOT SEAT	22H06401
02	1	EA	SUPPORT, SS REV SEAT W/ B/R	1187053
03	1	EA	CUSH, BW14/16/180DA-00 REV SEAT WHT/GRY	1331453
04	1	EA	BASE, HDPE REV SEAT	1185883
05	1	EA	CUSHION, REV SEAT B/R WHT/GRY	1006691
06	4	EA	BRACKET, 2" x 2" x 12"	1030428
07	13	FT	TRIM, EDGE WHITE FLEX 'U' TRIM	1020965
08	1	EA	THRU-HULL, PLAS 1 1/8" TUBE X 90DEG	1043371
09	1	EA	DRAIN, SCREEN ONLY 7/8" x 12"	1043348
10				
11	1	EA	FIBERGLASS PART, LIVWELL DROP-IN	22J87500
12	12	EA	SCREW, MACH 1/4-20 x 1" PFH	1009950
13	12	EA	WASHER, FINISH #12 SS	0958868
14	16	EA	NUT, LOCK 1/4-20	1009786
15	8	EA	SCREW, MACH #10-24 x 3/4" POH	1008440
16	8	EA	WASHER, FLAT #10 SS	0152918
17	8	EA	NUT, HEX NYLON LOCK #10-24	1007772
18	4	EA	SCREW, MACH #6-32 x 1" PFH	1010172
19	4	EA	WASHER, FLAT #6 SS	0153858
20	4	EA	NUT, LOCK #6-32	1009810
21	11	EA	SCREW, TAPPING #6 x 1/2" PFH	1010362
22	9	EA	SNAP STUD, #8 x 3/8" PH	0203786
23	4	EA	SCREW, MACH 1/4-20 x 1" PPH	1008580
24	4	EA	WASHER, FLAT 1/4" SS	0152926
25	6	FT	HOSE, WATER 1 1/8" BLK	1042076
26	2	EA	CLAMP, HOSE #16 3/4-1.5" SS	0256685
27	1	EA	PUMP, SPRAY HEAD FOR LIVWELL AERATOR	0858944
28	1	EA	TRIM, HDPE BW14/160DA-00 LIVWELL	1331768
29	6	EA	SCREW, TAPPING #6 x 3/4" PFH	1010370
30	1	FT	LATCH, DRAW SOFT LATCH, 4"	1364058
31	1	EA	SCREW, TAPPING, #10 x 1" POH	1008507
32	2	EA	NUT, LOCK, #8-32 SC	1009927
33	2	EA	WASHER, FLAT, #8 SS	152900
34	2	EA	SCREW, MACHINE #8-32 x 3/4" PTH SC	1010735
35	-	-	-	-
36	2	EA	PLATE, BWDA-01 REV SEAT SS	1566272
37	2	EA	BRACKET, BWDA-01 REV SEAT SS/DELTRIN	1566280
38	1	EA	DRAIN, STANDPIPE ONLY 7/8" x 12"	1583053

Boston Whaler, Inc.

DWG. NO. PB160DA11



UNLESS OTHERWISE SPECIFIED:  
DIMENSIONS ARE IN INCHES  
TOLERANCES

DECIMALS	ANGULAR
± .X	± X
± .XX	± .XX

DO NOT SCALE DRAWING

**ASSEMBLY & PARTS IDENT. DOCUMENT**

SCALE	NONE	DRAWN	R. DURHAM
DATE	2/8/99	CHKD.	S.W.
		DESIGN	D.M.
		MFG.	L.S.

ENGINEERING DEPARTMENT

TITLE: 160 DAUNTLESS STERN DECK ASSEMBLY

CODE	DESCRIPTION	DATE	BY	APPD
-	MODEL YEAR 2003 UPDATE	09/09/02	RC	
-	MODEL YEAR 2002 UPDATE	02/18/02	RD	
REVISIONS				

\* OPTIONAL: 100-70203 FISHING PACKAGE

08 (LOCATE ON CENTER)  
OPTIONAL: 100-70203, FISHING PACKAGE  
100-70327, SKI-PYLON

30, 31  
OPTIONAL: 100-70327, SKI-PYLON

09 (SEE NOTE)  
OPTIONAL: 100-70203, FISHING PACKAGE

RIVETS INSTALLED UNDER TOP LID

LADDER CLIP (W/LADDER)

INCL. W/PYLON

28 (SEE NOTE)

DATE 02/18/02

BY RD

APPD

DWG. NO. PB160DA11

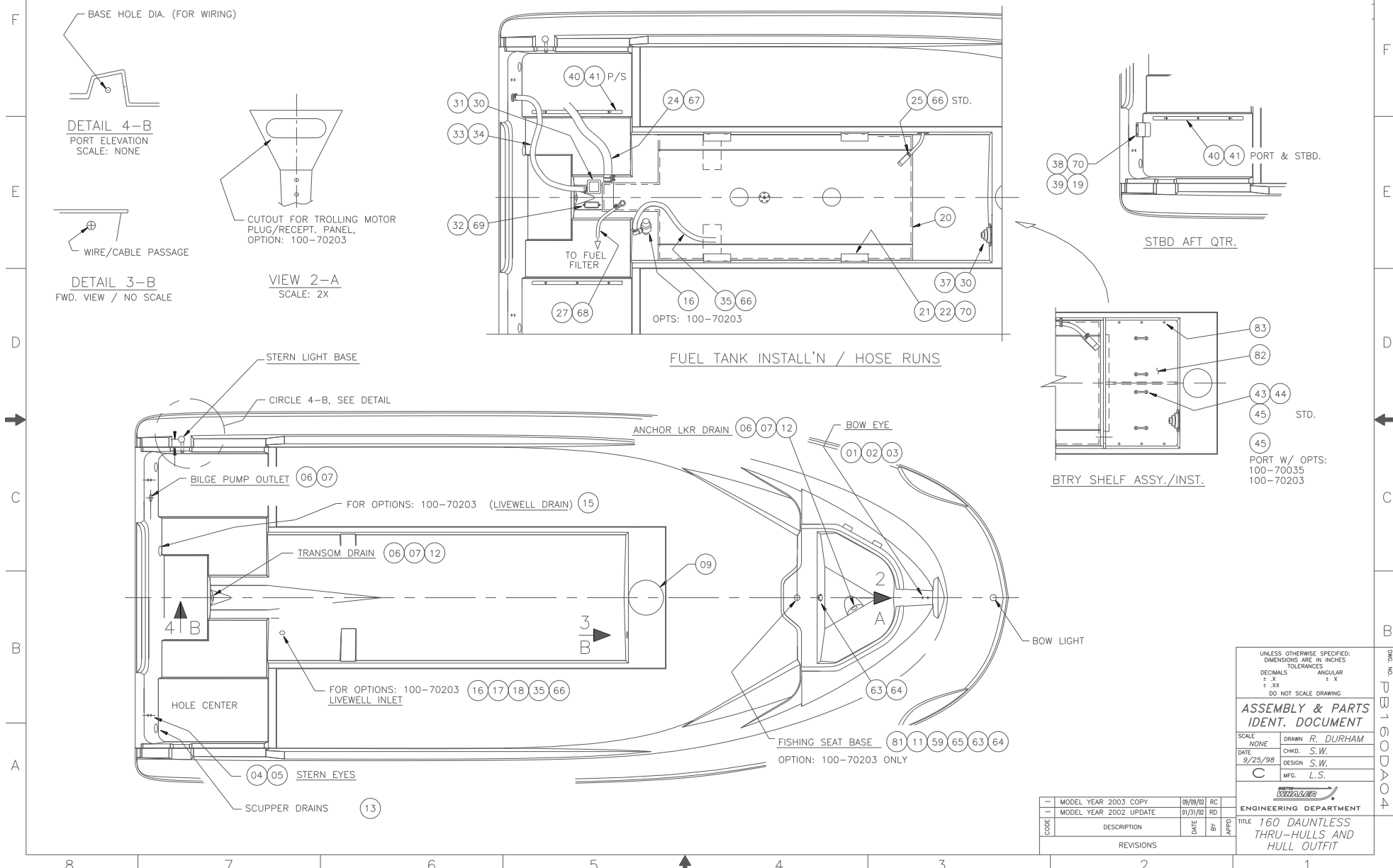
# MODEL YEAR 2003 PARTS LIST

BOAT MODEL: 160 DAUNTLESS  
DOCUMENT CONTROL NO: PB160DA12

ITEM	QTY.	U/M	DESCRIPTION	B.W.I. NO.
01	1	EA.	FIBERGLASS PART, STERNDECK BW160DA-99	22J87000
02	1	EA.	HATCH, UTILITY 13.5"X 16.5" WHT	1719060
03	16	EA.	RIVET, POP/BLIND 3/16" x 5/8" ALUM.	0189415
04	1	EA.	BOOT, CABLE 3" BLK	1043223
05	1	EA.	BOOT, CABLE RING 3" BLK	1043330
06	2	EA.	HOLDER, ROD FLUSH MNT W/CAP/BW LOGO	1331636
07	12	EA.	SCREW, MACHINE #1/4-20 X 1.5" POH SC	1010438
08	1	EA.	BASE, FISH PED 3" x 6" THREADED	1076967
09	2	EA.	BASE, FISH PED 4" x 4" SS	1076959
10	2	EA.	DRINKHOLDR, PLAS W/DRAIN DEEP XLG SZ BLK	1727419
11	1	EA.	DECK FILL, GAS SS 30° ANGLE	858449
12	4	EA.	SCREW, MACHINE #10-24 X 3/4" POH SC	1008440
13	6	EA.	WASHER, FLAT #10 SC	1260751
14	6	EA.	NUT, HEX NYLON LOCK #10-24 SC	1007772
15	2	EA.	THRU-HULL, PLAS L-FLANGE W/BARB	1072826
16	1	EA.	BASE, HDPE QTR SEAT PORT	1171669
17	1	EA.	BASE, HDPE QTR SEAT STBD	1171677
18	12	EA.	SCREW, TAPPING #6A X 3/4" POH SC	1008564
19	8	EA.	SCREW, MACH 1/4-20 x 1.25" POH	0151621
20	8	EA.	WASHER, FLAT #1/4" SC	1260769
21	12	EA.	WASHER, FENDER 1/4"X 1.25" SC	1260678
22	20	EA.	NUT, HEX NYLON LOCK #1/4-20 SC	1007764
23	2	EA.	SCREW, TAPPING #8 x 5/8" PTH	1010925
24	2	EA.	ELBOW, BRASS 90DEG STREET 1/4"	0140418
25	<del>1</del>	EA.	<del>PLUG, BRASS 1/4"MPT</del>	<del>0172346</del>
26	1	EA.	FILTER, IN-LINE FUEL/WTR SEPARATOR	1033695
27	2	EA.	FITTING, BRASS 1/4" MPT x 3/8" BARB	1043397
28	1	PR.	CLIP, POLE STRG BLACK	0590646
29	2	EA.	SCREW, MACH #10-24 x 1.25" PPH SC	1008630
30	1	EA.	SKI TOW PYLON	1077718
31	1	EA.	LABEL, WARNING SKI PYLON	1016914
32	2	EA.	PLATE, CAUTION SEAT	1230135
33	8	EA.	SCREW, TAPPING #6A x 1/2" PTH SC	1008796
34	3.7	FT.	HOSE, SANI-SMOOTH WALL 1.5"	0123844
35	6	FT.	HOSE, FUEL 3/8" ISO/CE W/PLAS LINER	1497486
36	4	EA.	CLAMP, HOSE #06M 5/16"-7/8" SS MINI	0123398
37	2	EA.	SCREW, TAPPING #14A x 1.5" PTH SC	1010909
38	6	FT.	HOSE, PVC CLEAR 3/8"	0124347
39	4	EA.	CLAMP, HOSE #24 SS	0256693
40	2	EA.	GROMMET, CABLE BOOT 3" BLK	1574839
41	2	EA.	STRAP, BW170DA-97 W/S HOLD OPEN	1025220
42	2	EA.	NUT, BBL #10-24 X 1/2" TH	1040203
43	2	EA.	WASHER, FINISH #10 SS	0896258
44	2	EA.	SCREW, MACHINE #10-24 X 5/8" POH SC	1010545
45	2	EA.	SNAP STUD, W/#8 X 3/8" PH BR/NI/SS	0203786
46	1	EA.	LIGHT, NAV STERN BASE RND CHR	0331751
47	1	EA.	LIGHT, NAV A/R STERN 62"N/BEND FOLDING	1604396
48	2	EA.	VENT, LOUVERED 3 5/8"X 3 5/8" WHT	0819243
49	8	EA.	SCREW, TAPPING #8A X 3/4" POH SC	1213057

Boston Whaler, Inc.

DWG. NO. PB160DA04



UNLESS OTHERWISE SPECIFIED:  
DIMENSIONS ARE IN INCHES  
TOLERANCES

DECIMALS	ANGULAR
± .005	± .005
± .01	± .01
± .015	± .015

DO NOT SCALE DRAWING

**ASSEMBLY & PARTS IDENT. DOCUMENT**

SCALE: NONE	DRAWN: R. DURHAM
DATE: 9/25/98	CHKD.: S.W.
	DESIGN: S.W.
	MFG.: L.S.

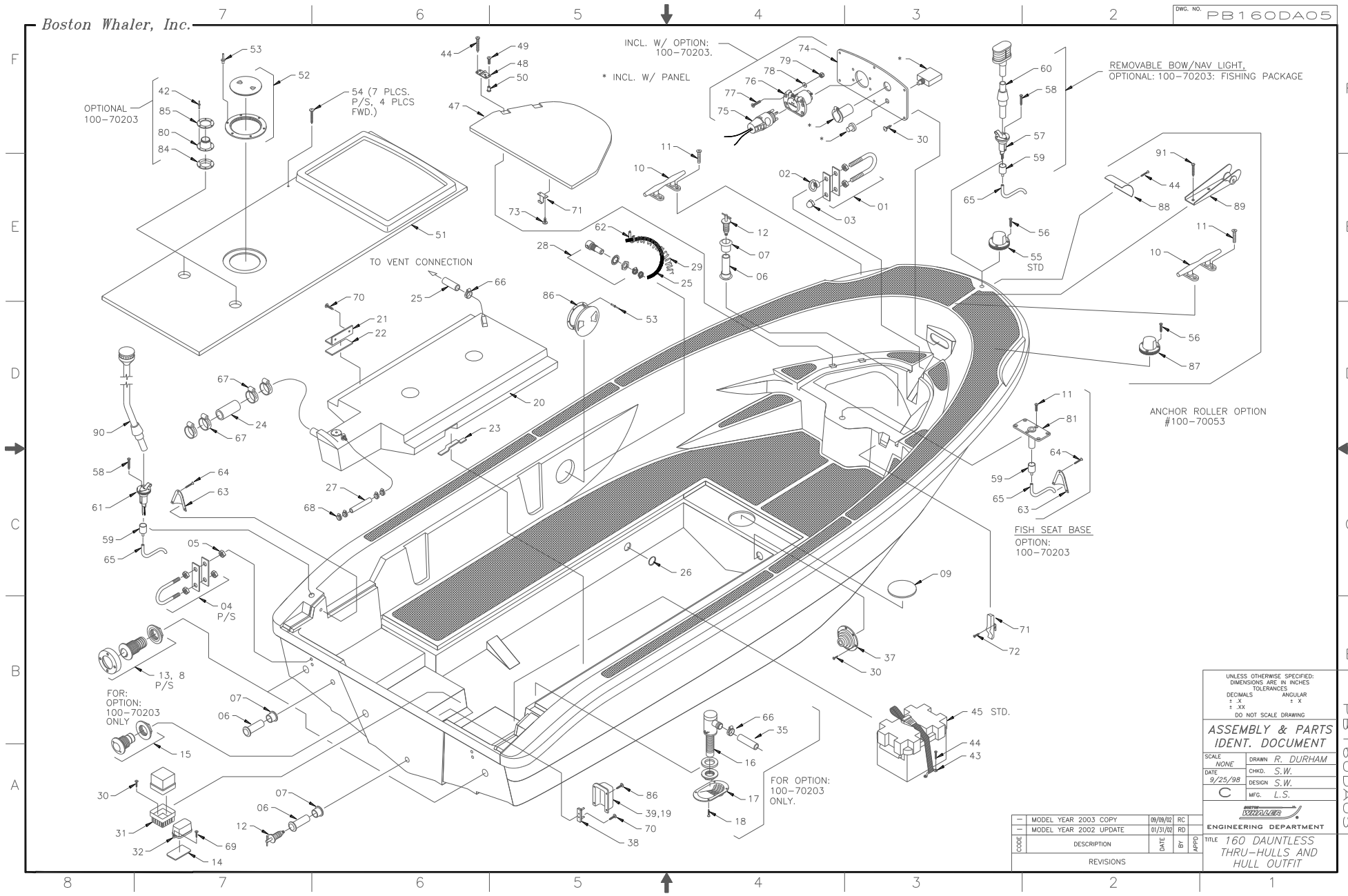
ENGINEERING DEPARTMENT

TITLE: 160 DAUNTLESS THRU-HULLS AND HULL OUTFIT

REV	DESCRIPTION	DATE	BY	APPD
1	MODEL YEAR 2003 COPY	08/09/02	RC	
1	MODEL YEAR 2002 UPDATE	01/31/02	RD	
REVISIONS				

Boston Whaler, Inc.

DWG. NO. PB160DA05



OPTIONAL  
100-70203

54 (7 PLCS.  
P/S, 4 PLCS  
FWD.)

INCL. W/ OPTION:  
100-70203.  
\* INCL. W/ PANEL

REMOVABLE BOW/NAV LIGHT,  
OPTIONAL: 100-70203: FISHING PACKAGE

TO VENT CONNECTION

ANCHOR ROLLER OPTION  
#100-70053

FISH SEAT BASE  
OPTION:  
100-70203

FOR:  
OPTION:  
100-70203  
ONLY

FOR OPTION:  
100-70203  
ONLY.

UNLESS OTHERWISE SPECIFIED:  
DIMENSIONS ARE IN INCHES  
TOLERANCES  
DECIMALS      ANGULAR  
± .X              ± X  
± .XX             ± .XX  
DO NOT SCALE DRAWING

**ASSEMBLY & PARTS  
IDENT. DOCUMENT**

SCALE	NONE	DRAWN	R. DURHAM
DATE	9/25/98	CHKD.	S.W.
		DESIGN	S.W.
		MFG.	L.S.

ENGINEERING DEPARTMENT

CODE	DESCRIPTION	DATE	BY	APPD

TITLE 160 DAUNTLESS  
THRU-HULLS AND  
HULL OUTFIT

DWG. NO. PB160DA05

## MODEL YEAR 2003 PARTS LIST

BOAT MODEL: 160 DAUNTLESS  
DOCUMENT CONTROL NO: PB160DA06

ITEM	QTY.	U/M	DESCRIPTION	B.W.J. NO.
01	1	EA.	EYE, BOW 1/2"X 6" SS	0995472
02	1	EA.	EYE, LIFTING 1/2" CHR	1033091
03	1	EA.	NUT, ACORN 1/2-13 SS	1007756
04	2	EA.	EYE, STERN 1/2" x 3" SS	0995464
05	4	EA.	NUT, HEX NYLON LOCK 1/2-13 SS	0152785
06	3	EA.	THRU-HULL, PVC PRESS-FIT	1042084
07	3	EA.	NUT, PVC RETAINING THRU-HULL	1042068
08	8	EA.	SCREW, TAPPING #8A X 1" POH SC	1213065
09	1	EA.	COVER, ABS 7.75" POUR HOLE	1210756
10	4	EA.	CLEAT, 6" SS HOLLOW BASE	1027002
11	26	EA.	SCREW, MACH 1/4-20 x 1" PFH	1009950
12	2	EA.	PLUG, BRASS 1" DRAIN TURN-TITE	0133371
13	2	EA.	THRU HULL, PLAS 2" SCUPPER W/FLAPPER	0628081
14	-	-	-	-
15	1	EA.	THRU-HULL, PLAS 1-1/8" WHT. BROAD FLANG	1583061
16	1	EA.	PUMP, LIVEWELL AERATOR	0291211
17	1	EA.	STRAINER, MARELON SCREEN ONLY	995589
18	4	EA.	SCREW, TAPPING #8A x 1/2" PFH	1008390
19	1	EA.	LABEL, WARNING TERM. BLOCK	1016922
20	1	EA.	TANK, FUEL 45 GAL CAPACITY	1171636
21	4	EA.	BRACKET, PVC 2"X 2"X 1/4"X 6" BW-01	1547280
22	2	FT.	TAPE, FOAM NEOPRENE W/3M 9828 3/8"TH X 2"W	1497452
23	6	FT.	TAPE, CLOSED CELL NEOPRENE 3/8"	0485318
24	2.7	FT.	HOSE, FUEL 1.5" TYPE A, CLASS 2	0123745
25	5	FT.	HOSE, FUEL 5/8" ISO/CE	0947499
26	1	FT.	BUSHING, PLAS SNAP BLK BWCP-97	1041375
27	6	FT.	HOSE, FUEL 3/8" ISO/CE W/PLAS LINER	1497486
28	1	FT.	VENT, FUEL TANK 3/4" SS STRAIGHT	0859157
29	1	FT.	SPRING, VENT 1.05"X12" SS	1041367
30	14	EA.	SCREW, TAPPING #8A x 5/8" PTH SC	1010925
31	1	EA.	PUMP, BILGE 1100GPH	1480094
32	1	EA.	SWITCH, FLOAT RULE W/ COVER	0989335
33	3.7	FT.	HOSE, WATER 1-1/8" BLACK	1042076
34	2	EA.	CLAMP, HOSE #16 3/4-1.5" SS	0256685
35	5	FT.	HOSE, WATER 3/4" BLK REINF PVC	1042100
36	-	-	-	-
37	1	EA.	GROMMET, O/B HARNESS 3" BLACK	0580720
38	1	EA.	BUSS BAR, TERM POST 2 5/16 STUDS (ANL FUSE)	1717497
39	1	EA.	COVER, ABS BW-02 TERM POST 5/16 STUDS	1717496
40	2	EA.	CLEAT, HDPE AFT STORAGE	1184621
41	6	EA.	SCREW, TAPPING #10A x 2.5" POH	1008531
42	12	EA.	RIVET, POP/BLIND #3/16 X 1" ALUM	0324715
43	2	EA.	BRACKET, BATT HOLDDOWN, 1.25"	1042837
44	10	EA.	SCREW, TAPPING #10A x 1" POH	1008507
45	1	EA.	HOLDER, BATTERY GR24 FULLY ENCL.	0650598
46	-	-	-	-
47	1	EA.	FIBERGLASS PART, BOW LOCKER COVER	22J72800
48	2	EA.	HINGE, DOOR SS 1.5"X 3" THINLINE	1617323
49	6	EA.	SCREW, MACH #10-24 x 1/2" POH	1008432
50	6	EA.	NUT, BBL #10-24 PFH	1040187
51	1	EA.	FIBERGLASS PART, FUEL TANK COVER 16DA	22J85800
52	1	EA.	ACCESS PLATE, POLYPROP TWIST OUT 6"	1068642
53	12	EA.	RIVET, POP/BLIND #3/16" x 5/8" ALUM	0189415
54	18	EA.	SCREW, TAPPING #10A x 2" PTH	1008754
55	1	EA.	LIGHT, NAV COMBO BOW	0860734
56	3	EA.	SCREW, TAPPING #4 x 1" PPH	1010636
57	1	EA.	LIGHT, NAV STERN BASE COMBO REMOVABLE	1119627
58	6	EA.	SCREW, TAPPING #6A x 1.25" POH	1008556
59	1	EA.	CAP, DRAINBOOT STERNLIGHT MAST	1042761
60	1	EA.	LIGHT, NAV COMBO BOW REMOVABLE	1072800
61	1	EA.	LIGHT, NAV STERN BASE RND CHR	0331751
62	1	EA.	CLIP, SUPPORT 1"DIA	1213720
63	1	EA.	VENT, CLAMSHELL ROPE LKR 1-5/8" x 1"	0126870
64	3	EA.	SCREW, TAPPING #6A x 1/2" PTH	1008796
65	3	FT.	TUBING, VINYL SPEEDO BLK	1043017
66	1	EA.	CLAMP, HOSE #10 SS	263954
67	2	EA.	CLAMP, HOSE #24 SS	256693
68	2	EA.	CLAMP, HOSE #06M	123398
69	2	EA.	SCREW, TAPPING #8A x 1.25" PPH	1010644
70	10	EA.	SCREW, TAPPING #14A x 1.5" PTH	1010909
71	1	EA.	LATCH, DRAW SOFT-LATCH 4" RIGHT ANGLE BLK	1331487
72	2	EA.	SCREW, TAPPING #8A x .50" PTH	1008812
73	2	EA.	SCREW, TAPPING #8A x .75 PFH	1008408
74	1	EA.	PANEL, BOW TROLLING	1452598
75	1	EA.	PLUG, 12V (TROLLING MOTOR)	0803163
76	1	EA.	RECEPTACLE 12 (TROLLING MOTOR)	0803155
77	4	EA.	SCREW, MACH #10-24 x 1" POH	1010446
78	4	EA.	WASHER, FLAT #10 SS	0152918
79	4	EA.	NUT, HEX NYLON LOCK #10-24	1007772
80	2	EA.	BOOT, CABLE 3" BLK	1043223
81	1	EA.	BASE, FISH PED 3" x 6" THREADED	1076967
82	1	EA.	SHELF, HDPE BATTERY	1185917
83	6	EA.	SCREW, TAPPING #10A x 1.5" PTH	1008747
84	2	EA.	GROMMET, CABLE BOOT 3" BLK	1574839
85	2	EA.	BOOT, CABLE RING 3" BLK	1043330
86	1	EA.	ACCESS PLATE, POLYPROP TWIST-OUT 5" WHT BWI	1016153
87	1	EA.	LIGHT, NAV, SURF HORIZ MT, CHR	0996496
88	1	EA.	CAP, 2100R-97 BOW RUB RAIL	1034925
89	1	EA.	DAVIT, ANCHOR DAVIT w/ROLLER, 9" x 3"	1336429
90	1	EA.	LIGHT, NAV A/R STERN 62" 20DEG BEND	1576552