

ROD/SKI RACKS, P/S  
 OPTIONS: #100-70199, OR 100-70203,

FISHING SEAT  
 OPT. 100-70203, FISHING PACKAGE

PEDESTAL NOTE:  
 LOCATE PEDESTALS 46.50" BACK (CTRS)  
 FROM FWD. EDGE OF FUEL TANK COVER.  
 LINE UP OUTSIDE EDGES .38" IN FROM FUEL  
 TANK COVER EDGE.

UNLESS OTHERWISE SPECIFIED:  
 DIMENSIONS ARE IN INCHES  
 TOLERANCES  
 DECIMALS ANGULAR  
 ± .X ± X  
 ± .XX ± X  
 DO NOT SCALE DRAWING

**ASSEMBLY & PARTS IDENT. DOCUMENT**

SCALE: NONE DRAWN: R. DURHAM  
 DATE: 5/22/99 CHKD.:  
 DESIGN:  
 MFG.: C

**ENGINEERING DEPARTMENT**

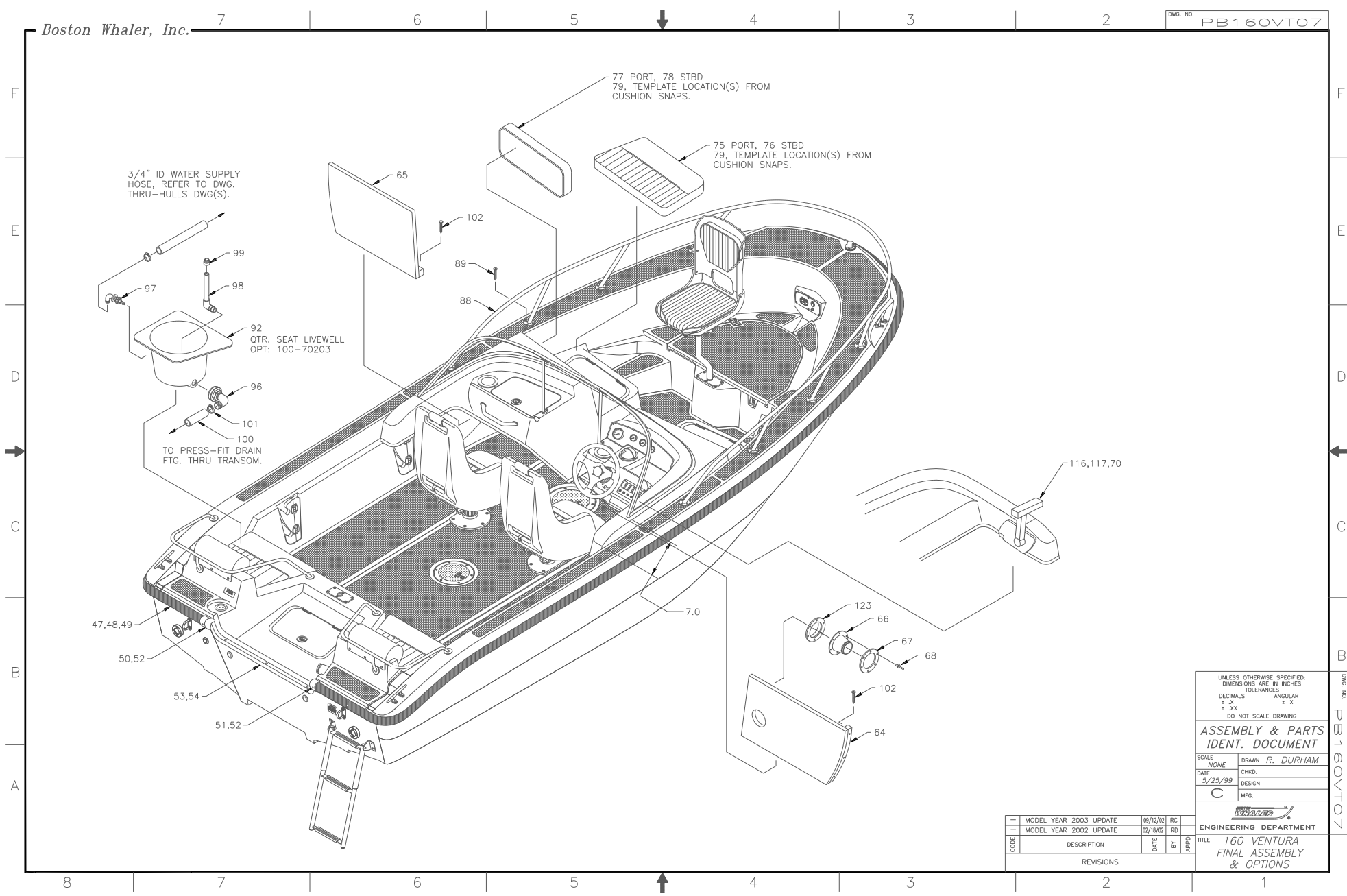
TITLE: 160 VENTURA FINAL ASSEMBLY & OPTIONS

CODE	DESCRIPTION	DATE	BY	APPD.
-	MODEL YEAR 2003 UPDATE	09/17/02	RC	
-	MODEL YEAR 2002 UPDATE	02/18/02	RO	
REVISIONS				

DWG. NO. PB160VTO6

Boston Whaler, Inc.

DWG. NO. PB160VTO7



3/4" ID WATER SUPPLY HOSE, REFER TO DWG. THRU-HULLS DWG(S).

77 PORT, 78 STBD  
79, TEMPLATE LOCATION(S) FROM CUSHION SNAPS.

75 PORT, 76 STBD  
79, TEMPLATE LOCATION(S) FROM CUSHION SNAPS.

92 QTR. SEAT LIVEWELL  
OPT: 100-70203

100 TO PRESS-FIT DRAIN FTG. THRU TRANSOM.

UNLESS OTHERWISE SPECIFIED:  
DIMENSIONS ARE IN INCHES  
TOLERANCES

DECIMALS	ANGULAR
± .X	± X
± .XX	± .XX

DO NOT SCALE DRAWING

**ASSEMBLY & PARTS IDENT. DOCUMENT**

SCALE	NONE	DRAWN	R. DURHAM
DATE	5/25/99	CHKD.	
		DESIGN	
		MFG.	

**ENGINEERING DEPARTMENT**

TITLE: 160 VENTURA  
FINAL ASSEMBLY & OPTIONS

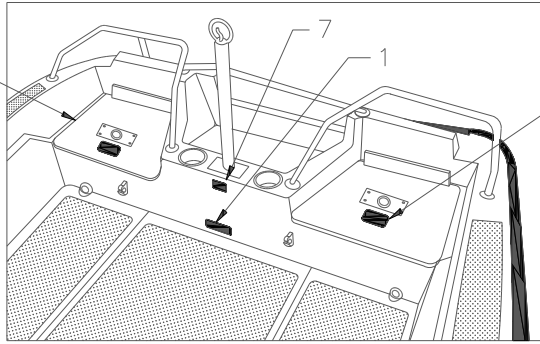
CODE	DESCRIPTION	DATE	BY	APPD
-	MODEL YEAR 2003 UPDATE	09/13/02	RC	
-	MODEL YEAR 2002 UPDATE	02/18/02	RO	
REVISIONS				

DWG. NO. PB160VTO7

MODEL YEAR 2003 PARTS LIST

BOAT MODEL: 160 VENTURA  
DOCUMENT CONTROL NO: P16160V03

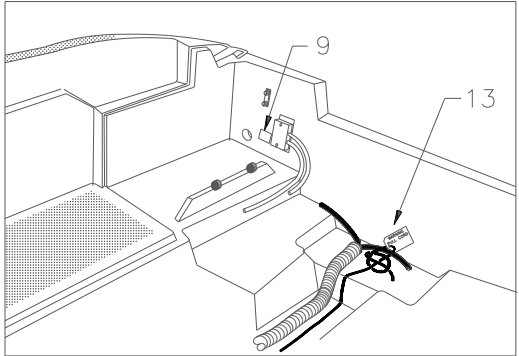
REV	QTY	UOM	DESCRIPTION	REV. NO.
01	1	EA	FIBERGLASS PART, CONSOLE, PORT	22J91500
02	1	EA	FIBERGLASS PART, CONSOLE, STBD	22J91600
03	12	EA	SCREW, TAPPING #10A x 1.5" PPH	1010610
04	2	EA	HATCH, UTILITY 13.5" x 16.5" WHT	1719060
05	24	EA	RIVET, POP/BLIND 3/16" x 5/8" ALUM.	0189415
06	2	EA	DRINKHOLDER, PLAS W/DRAIN DEEP XLG SZ BLK	1727419
07	1	EA	RAIL, GRAB 11" x 1" SS W/STUD	1009610
08	2	EA	WASHER, FENDER 5/16" x 1.5" SS	0952002
09	2	EA	WASHER, LOCK/SPLIT 5/16" SS	0153692
10	2	EA	NUT, HEX #5/16-18 SC	1009687
11	1	EA	WINDSHIELD, BW160V-02	1614684
12	1	EA	PANEL, BLANK-BW160V-03 W/SWITCHES	1719446
13	1	EA	LID, HDPE, BW160V-03 GLOWBOX	1753747
14	11	FT	MOLDING, VINYL, QTR-WHT W/ADH	1020924
15	1	EA	STEERING, PERFORMANCE TILT MECH.	0662510
16	1	EA	STEERING, HELM PERFORMANCE NFB TILT	0997213
17	1	EA	STEERING CABLE, NFB W/ ENDS 18"	0997165
18	1	EA	EMBLEM, BW STEERING WHEEL CAP	1021054
19	1	EA	STEERING WHEEL, 13.7" DIA ALUM JSPK BLK GRP	1733948
20	1	EA	STRAP, W/S HOLD-OPEN	1025220
21	2	EA	ROD/SKI-HOLDER, HDPE UNDER GUNL PORT	1453588
22	2	EA	ROD/SKI-HOLDER, HDPE UNDER GUNL STBD	1453596
23		EA		
24	4	EA	SCREW, TAPPING #8A x 5/8" PTH	1010925
25	8	EA	SCREW, TAPPING #8A x 1/2" PTH	1008812
26	8	EA	SCREW, TAPPING #10A x 1.5" PPH	1010610
27	1	EA	COMPASS, FLUSH MT 3 7/8" BLK HOUSE GRN LGHT	1617638
28	4	EA	SCREW, TAPPING #6A x 3/4" PPH	1008564
29	1	EA	SEAT, FISHING WHT	1038876
30	1	EA	BRACKET, MNT FISHING SEAT	1043553
31	1	EA	OFFSET EXT, BW-98 FISH PED	1076975
32	1	EA	CUSHION, FISH SEAT WHT/GRY	1006675
33		EA		
34		EA		
35	4	EA	STRAP, ROD-TAMER 18" DECK MT	1087907
36	4	EA	HOOK, FENDER SS	1043033
37	2	EA	SHIM, HDPE CONSOLE	1257013
38	2	EA	RAIL, FWD SIDE	1257047
39	1	EA	RAIL, GRAB STERNDECK, PORT	1184803
40	1	EA	RAIL, GRAB STERNDECK, STBD	1184811
41	18	EA	SCREW, TAPPING #14A x 1.5" PPH	1008697
42	24.3	FT	TAPE, SOLID 1" FIRE RED W/PIN STRIPE	1038009
43	1	EA	TAPE, SOLID 1" DK BLUE W/PIN STRIPE	1037985
44	1	EA	DECAL, BW LOGO 18" FIRE RED PORT	1452553
		EA	DECAL, BW LOGO 18" FIRE RED STBD	1457654
		EA	DECAL, BW LOGO 18" DK BLUE PORT	1452671
		EA	DECAL, BW LOGO 18" DK BLUE STBD	1457662
44	1	EA	DECAL, HARPOON PORT FIRE RED	0998559
		EA	DECAL, HARPOON PORT DK BLUE	0998480
45	1	EA	DECAL, HARPOON STBD FIRE RED	0998609
		EA	DECAL, HARPOON STBD DK BLUE	0998476
46	2	EA	DECAL, BW-02 VENTURA 160 FIRE RED	1620962
		EA	DECAL, BW-02 VENTURA 160 DK BLUE	1621028
47	1	EA	RUBRAIL, PLASTIC CHAR 40"	1020858
		EA	RUBRAIL, PLASTIC WHT 47"	1204742
48	1	EA	INSERT, RUBRAIL CHAR FLEX 40"	1020817
		EA	INSERT, RUBRAIL WHT FLEX 47"	1204692
49	100	EA	SCREW, TAPPING #10A x 1.5" PPH	1009343
50	1	EA	CAP, RUBRAIL END PORT BLACK	1171602
51	1	EA	CAP, RUBRAIL END STBD BLACK	1171644
52	2	EA	SCREW, TAPPING #10A x 2" PTH	1008754
53	1	EA	TRIM, HDPE TRANSOM BLACK	1205624
54	3	EA	SCREW, TAPPING #8A x 5/8" PTH	1010925
55	1	EA	LADDER, SWIM 3-STEP TELESCOPING TRANS	1171683
56	4	EA	SCREW, TAPPING #14A x 1.5" PTH	1010909
57	2	EA	CUSHION, QTR SEAT BACKREST WHT/GRY	1625557
58	1	EA	CUSHION, QTR SEAT PORT WHT/GRY	1625565
59	1	EA	CUSHION, QTR SEAT STBD WHT/GRY	1625573
60	2	EA	PEDESTAL, ALUM 10.5" FLUTED W/O SPD	1611565
61	10	EA	SCREW, MACH 1/4-20 x 1.25" PPH	0153205
62	2	EA	SEAT, HELM BW-02 W/COMP CUSH SET	1610674
63		EA		
64	1	EA	PANEL, HDPE CLOSEOUT FOOTREST, STBD	1232024
65	1	EA	PANEL, HDPE CLOSEOUT FOOTREST, PORT	1232040
66	1	EA	BOOT, CABLE 3" BLK	1043223
67	1	EA	BOOT, CABLE RING 3" BLK	1043330
68	6	EA	RIVET, POP/BLIND 3/16" x 5/8" ALUM.	0189415
69	1	EA	PANEL, SWITCH	1452481
70	13	EA	SCREW, TAPPING #6A x 75" PTH	1010917
71	4	EA	SCREW, MACH 1/4-20 x 1.5" PPH	1008598
72	4	EA	WASHER, STAR 1/4" SS	1008599
73	4	EA	WASHER, FLAT 1/4" SS	0152956
74	14	EA	SCREW, TAPPING #10A x 1.5" PTH	1008747
75	1	EA	CUSH, FWD SEAT PORT WHT/GRY	1625563
76	1	EA	CUSH, FWD SEAT STBD WHT/GRY	1625575
77	1	EA	CUSH, FWD SEAT PORT B/R WHT/GRY	1625581
78	1	EA	CUSH, FWD SEAT STBD B/R WHT/GRY	1625599
79	24	EA	SNAP STUD W/#6 x 3/8" PH	0203746
80	2	EA	THRU-HULL, PVC PRESS FIT	1042084
81	2	EA	NUT, PVC RETAINING THRU-HULL	1042068
86	1	EA	SUPPLEMENT, OWNER'S MAN'L 140/160DA	1423938
87	1	EA	DIAGRAM, WOOD LOCATION	1184936
88	1	EA	RAIL, BOW	1243336
89	18	EA	SCREW, TAPPING #14A x 1.5" PPH	1008697
90				
91	2	EA	SNAP STUD, W/#6 x 3/8" PH	0203786
92	1	EA	FIBERGLASS PART, LIVEWELL DROP-IN	1316322
93				
94				
95	1	EA	DECLARATION OF CONFORMITY	1181860
96	1	EA	THRU-HULL, PLAS 1-1/8" TUBE x 90DEG	1043371
97	1	EA	PUMP, SPRAY HEAD FOR LIVEWELL AERATOR	0858944
98	1	EA	DRAIN, STANDPIPE ONLY 7/8" x 7"	1043231
99	1	EA	DRAIN, SCREEN ONLY 7/8" x 12"	1043348
100	3	FT	HOSE, WATER 1-1/8" BLK	1042076
101	2	EA	CLAMP, HOSE #16 SS	0256685
102	14	EA	SCREW, TAPPING #10A x 2" PTH	1008754
103	1	EA	HOLDER, BATTERY DR27 POWER GUARD	0995068
104	1	EA	CANVAS, COCKPIT COVER RED	1625714
			CANVAS, COCKPIT COVER BLUE	1625722
105	1	EA	CANVAS, BW160V-02 TONNEAU CVR RED	1625730
			CANVAS, BW160V-02 TONNEAU CVR BLUE	1625748
106	1	EA	CANVAS, BW160V-02 BIM TOP W/BOOT RED	1625631
			CANVAS, BW160V-02 BIM TOP W/BOOT BLUE	1625649
107	1	EA	CANVAS, BW160V-02 WALK-THRU RED	1625672
			CANVAS, BW160V-02 WALK-THRU BLUE	1625680
108	1	EA	CANVAS, BW160V-02 VISION CURT BLK	1625698
109	1	EA	CANVAS, BW160V-02 AFT CURT RED	1625646
			CANVAS, BW160V-02 AFT CURT BLUE	1625664
110	1	PR	CANVAS, BW160V-02 SIDE CURT SET BLK	1625706
114	1	EA	COOLER, 25 QT	0133348
115	1	EA	CLEAR, HDPE BW160V-00 COOLER	1325653
116	1	EA	CONTROL, O/B REMOTE TRITE SHIRT ASSY	1585953
117	2	EA	CABLE, CONTROL TELEFLEX 19' 600A/MERC	1028059
118	1	EA	HARNES, IGN/CHOKE ASSY 20"	1032788
119	1	EA	PANEL, BW160V-03 INST MERK ANALOG W/SWITCHES	1719447
120	1	EA	HORN, DUAL, BLK W/ SPARK CONN SERIES 84	1413475
121	1	EA	HORN GRILLE, DUAL SS OVERLAY SERIES 84	1401736
122	2	EA	SCREW, TAPPING #8A1/2" PTH SC	1008812
123	1	EA	GROMMET, CABLE 600 3" BLK	1574839
124	1	EA	CUSH, BW160V-02 BOW	1625540



11  
 1/2" FORWARD  
 AND CENTERED

TRANSOM LOOKING AFT

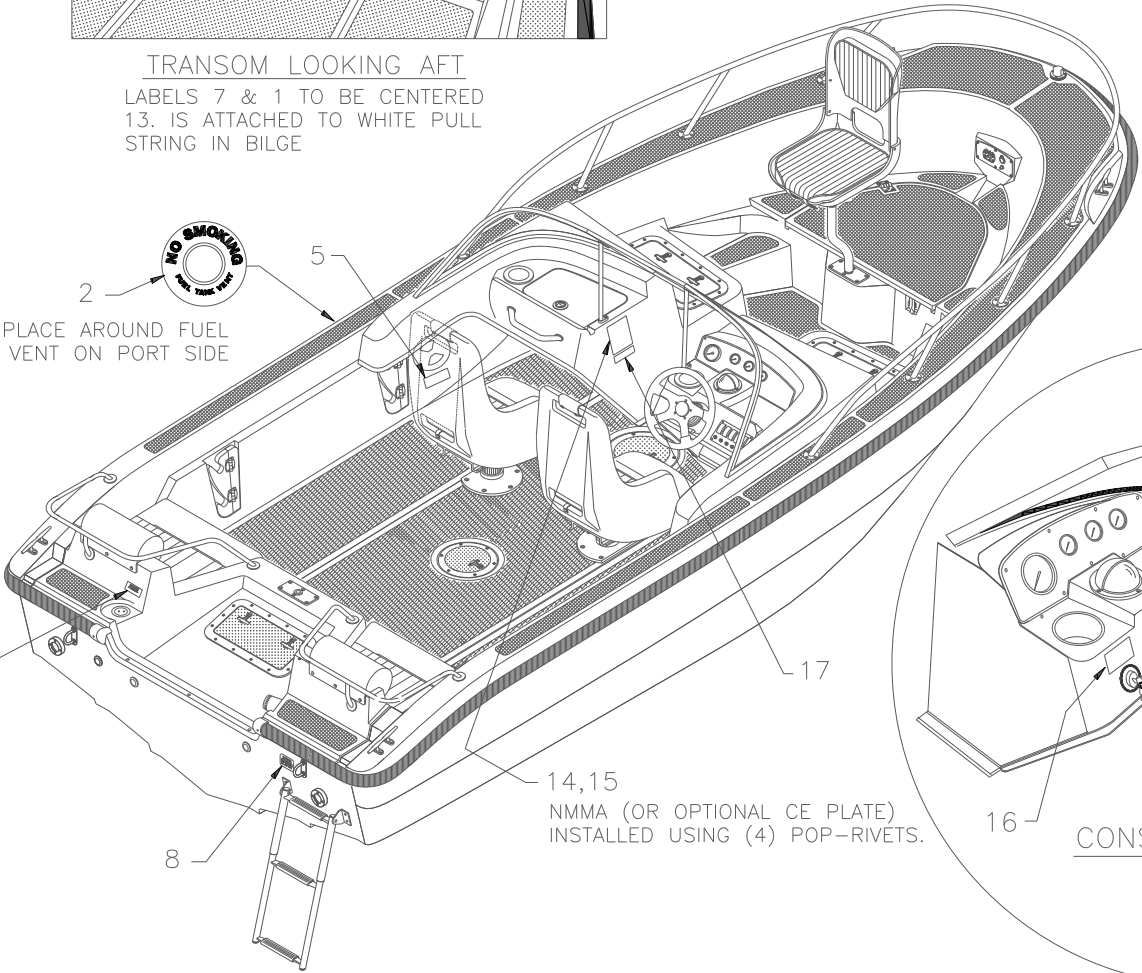
LABELS 7 & 1 TO BE CENTERED  
 13. IS ATTACHED TO WHITE PULL  
 STRING IN BILGE



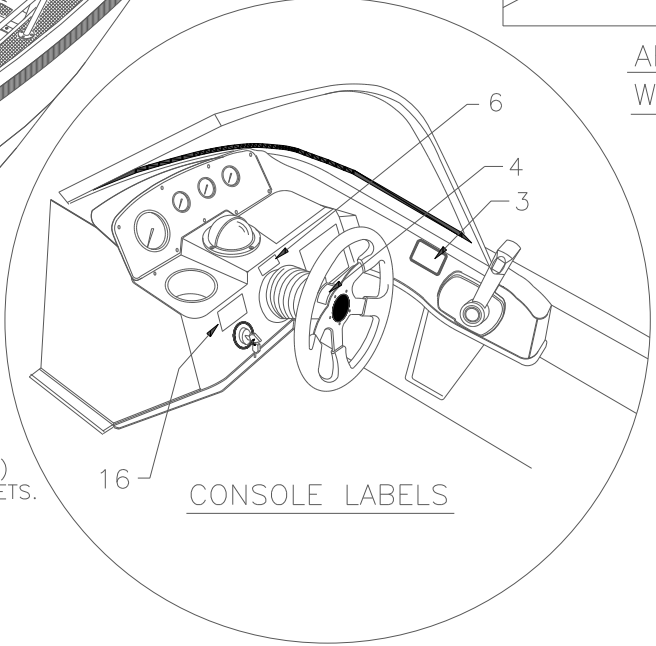
AFT STBD CORNER  
 W/ DECK REMOVED



2  
 PLACE AROUND FUEL  
 VENT ON PORT SIDE



14,15  
 NMMA (OR OPTIONAL CE PLATE)  
 INSTALLED USING (4) POP-RIEVTS.



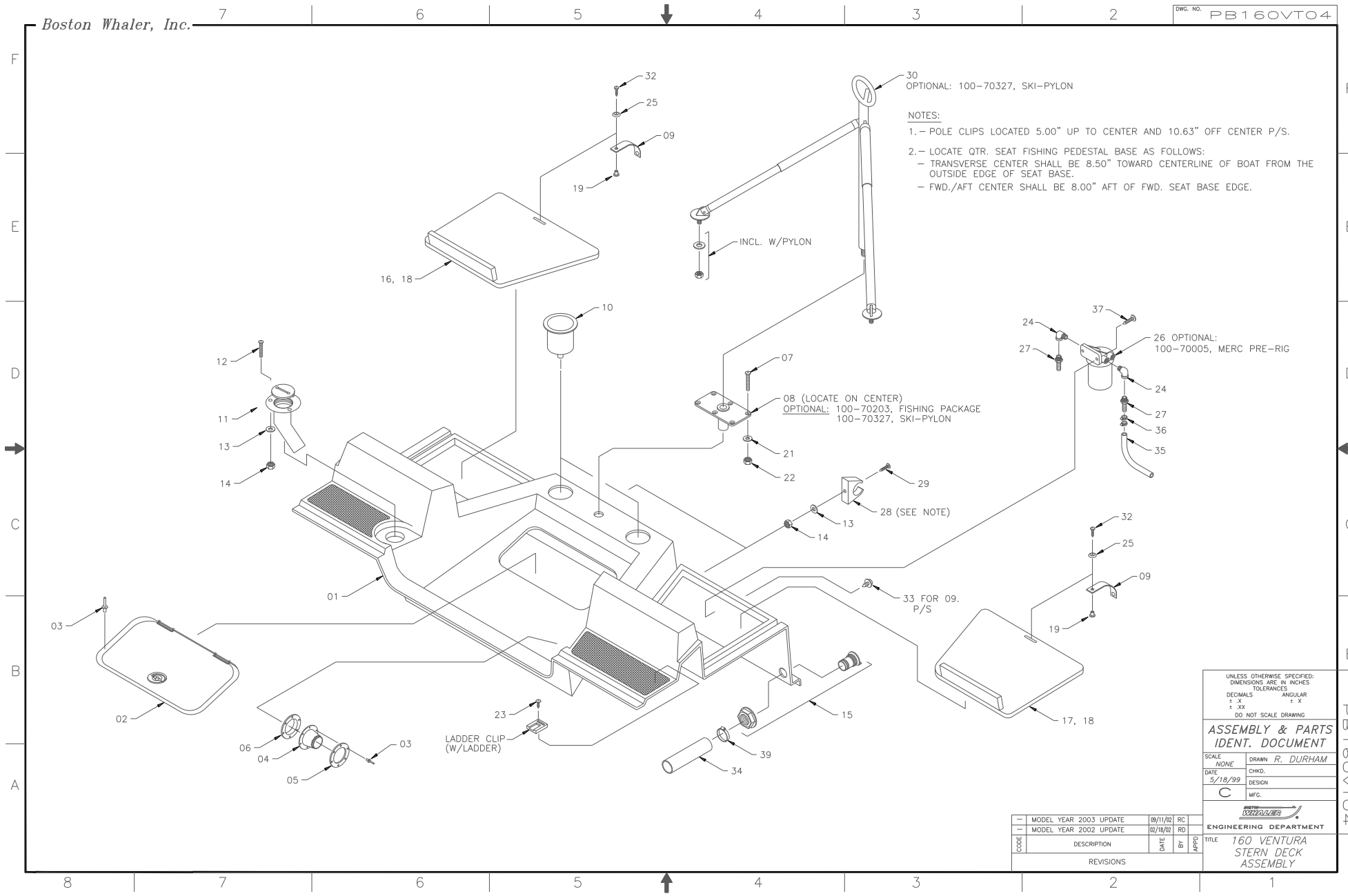
CONSOLE LABELS

NOTE: #6 CENTERED OVER COLUMN  
 #4 PLACE ON WHEEL HUB  
 #3 PLACE 3/4" DOWN AND  
 FORWARD OF CONTROLS

# MODEL YEAR 2003 PARTS LIST

BOAT MODEL: 160 VENTURA  
DOCUMENT CONTROL NO: PB160VT10

ITEM	QTY.	U/M	DESCRIPTION	B.W.I. NO.
01	1	EA.	LABEL, BW FUEL TANK— NO DRILL	1016443
02	1	EA.	LABEL, BW NO SMOKING — FUEL VENT	1016484
03	1	EA.	LABEL, BW SAFETY HI PERF— BOAT	1017136
04	1	EA.	LABEL, BW STEERING PULL WARNING	1016518
05	1	EA.	LABEL, BW VENT HOSE NO DRILL	1016898
06	1	EA.	LABEL, BW WARNING FUEL GAUGE READ	1016534
07	1	EA.	LABEL, BW SKI PYLON	1590140
08	1	EA.	LABEL, BW WARNING SWIM PLTFORM	1016948
09	1	EA.	LABEL, BW WARNING TERMINAL BLOCK	1016963
10	1	EA.	LABEL, BW WINDSHIELD CARE	1016955
11	2	EA.	PLATE, BW 99 CAUTION FISHING PED SEAT POSITION	1230135
12	1	EA.	WARNING FUEL HAZARD	995704
13	1	EA.	TAG, BW DO NOT PULL RIGGING	999755
14	1	EA.	PLATE, NMMA 02—BW 160VT	1627306
15	1	EA.	PLATE, BUILDERS CE	1619824
16	1	EA.	LABEL, BW WARNING CARBON MONOXIDE CANVAS ENCL	1110675
17	1	EA.	STD. PLATE, BW—03 MAX ENG WT 410LB/185KG	1735926



**NOTES:**  
 1. - POLE CLIPS LOCATED 5.00" UP TO CENTER AND 10.63" OFF CENTER P/S.  
 2. - LOCATE QTR. SEAT FISHING PEDESTAL BASE AS FOLLOWS:  
 - TRANSVERSE CENTER SHALL BE 8.50" TOWARD CENTERLINE OF BOAT FROM THE OUTSIDE EDGE OF SEAT BASE.  
 - FWD./AFT CENTER SHALL BE 8.00" AFT OF FWD. SEAT BASE EDGE.

08 (LOCATE ON CENTER)  
 OPTIONAL: 100-70203, FISHING PACKAGE  
 100-70327, SKI-PYLON

26 OPTIONAL:  
 100-70005, MERC PRE-RIG

LADDER CLIP  
 (W/LADDER)

33 FOR 09.  
 P/S

30  
 OPTIONAL: 100-70327, SKI-PYLON

UNLESS OTHERWISE SPECIFIED:  
 DIMENSIONS ARE IN INCHES  
 TOLERANCES

DECIMALS	ANGULAR
± .X	± X
± .XX	

DO NOT SCALE DRAWING

**ASSEMBLY & PARTS IDENT. DOCUMENT**

SCALE	NONE	DRAWN	R. DURHAM
DATE	5/18/99	CHKD.	
		DESIGN	
		MFG.	

**ENGINEERING DEPARTMENT**

TITLE	160 VENTURA STERN DECK ASSEMBLY
-------	---------------------------------

CODE	DESCRIPTION	DATE	BY	APPD
-	MODEL YEAR 2003 UPDATE	09/11/02	RC	
-	MODEL YEAR 2002 UPDATE	02/18/02	RO	
REVISIONS				

# MODEL YEAR 2003 PARTS LIST

BOAT MODEL: 160 VENTURA  
DOCUMENT CONTROL NO: PB160VT05

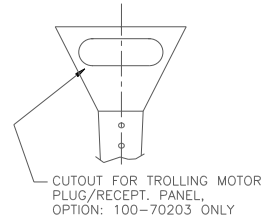
ITEM	QTY.	U/M	DESCRIPTION	B.W.I. NO.
01	1	EA.	FIBERGLASS PART, STERNDECK BW160DA-99	22J87000
02	1	EA.	HATCH, UTILITY 13.5"X 16.5" WHT	1719060
03	14	EA.	RIVET, POP/BLIND 3/16" x 5/8" ALUM.	0189415
04	1	EA.	BOOT, CABLE 3" BLK	1043223
05	1	EA.	BOOT, CABLE RING 3" BLK	1043330
06	1	EA.	GROMMET, CABLE BOOT 3" BLK	1574839
07	6	EA.	SCREW, MACH 1/4-20 x 1.5" PFH SC	1009950
08	1	EA.	BASE, FISH PED 3" x 6" THREADED	1076967
09	2	EA.	STRAP, BW170DA-97 W/S HOLD OPEN	1025220
10	2	EA.	DRINKHOLDR, PLAS W/DRAIN DEEP XLG SZ BLK	1727419
11	1	EA.	DECK FILL, GAS SS 30DEG ANGLE	0858449
12	4	EA.	SCREW, MACH #10-24 x 3/4" POH	1008440
13	8	EA.	WASHER, FLAT #10 SC	1260751
14	8	EA.	NUT, HEX NYLON LOCK #10-24 SC	1007772
15	2	EA.	THRU-HULL, PLAS L-FLANGE W/BARB	1072826
16	1	EA.	BASE, HDPE QTR SEAT PORT	1171669
17	1	EA.	BASE, HDPE QTR SEAT STBD	1171677
18	12	EA.	SCREW, TAPPING #6A x 3/4" POH SC	1008564
19	2	EA.	NUT, BBL #10-24 X 1/2" TH	1040203
20		EA.		
21	4	EA.	WASHER, FENDER 1/4 x 1.25" SC	1260678
22	6	EA.	NUT, HEX NYLON LOCK 1/4-20 SC	1007764
23	2	EA.	SCREW, TAPPING #8 x 5/8" PTH SC	1010925
24	2	EA.	ELBOW, BRASS 90DEG STREET 1/4"	0140418
25	2	EA.	WASHER, FINISH #10 SS	0896258
26	1	EA.	FILTER, IN-LINE FUEL/WTR SEPARATOR	1033695
27	2	EA.	FITTING, BRASS 1/4" MPT x 3/8" BARB	1043397
28	1	PR.	CLIP, POLE STRG BLACK	0590646
29	2	EA.	SCREW, MACH #10-24 x 1.25" PPH SC	1008630
30	1	EA.	SKI TOW PYLON	1077718
31				
32	2	EA.	SCREW, MACHINE #10-24 X 5/8" POH SC	1010545
33	2	EA.	SNAP STUD, W/#8 X 3/8" PH BR/NI/SS	0203786
34	3.7	FT.	HOSE, SANI-SMOOTH WALL 1.5"	0123844
35	6	FT.	HOSE, FUEL 3/8" ISO/CE W/PLAS LINER	1497486
36	4	EA.	CLAMP, HOSE #06M 5/16"-7/8" SS MINI	0123398
37	2	EA.	SCREW, TAPPING #14A x 1.5" PTH SC	1010909
38	-	-	-	-
39	4	EA.	CLAMP, HOSE #24 SS	0256693

Boston Whaler, Inc.

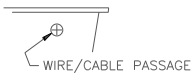
DWG. NO. PB160VTO1

BASE HOLE DIA. (FOR WIRING)

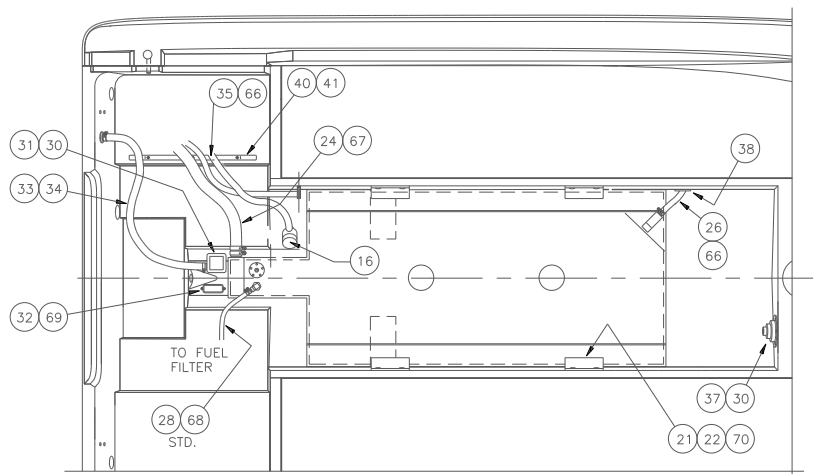
DETAIL 4-B  
PORT ELEVATION  
SCALE: NONE



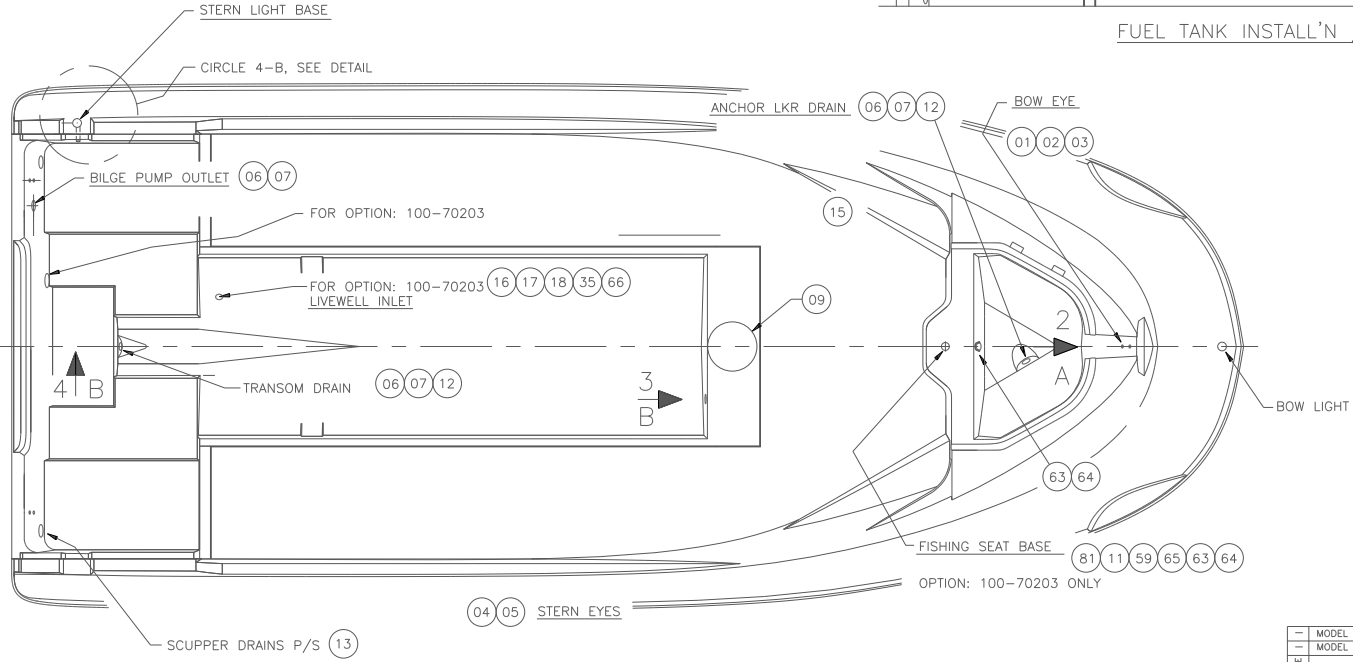
VIEW 2-A  
SCALE: 2X



DETAIL 3-B  
FWD. VIEW / NO SCALE



FUEL TANK INSTALL'N / HOSE RUNS



UNLESS OTHERWISE SPECIFIED:  
DIMENSIONS ARE IN INCHES  
TOLERANCES

DECIMALS	ANGULAR
± .X	± X
± .XX	± .X

DO NOT SCALE DRAWING

**ASSEMBLY & PARTS IDENT. DOCUMENT**

SCALE: NONE	DRAWN: R. DURHAM
DATE: 5/11/99	CHKD.:
	DESIGN:
	MFG.:

ENGINEERING DEPARTMENT

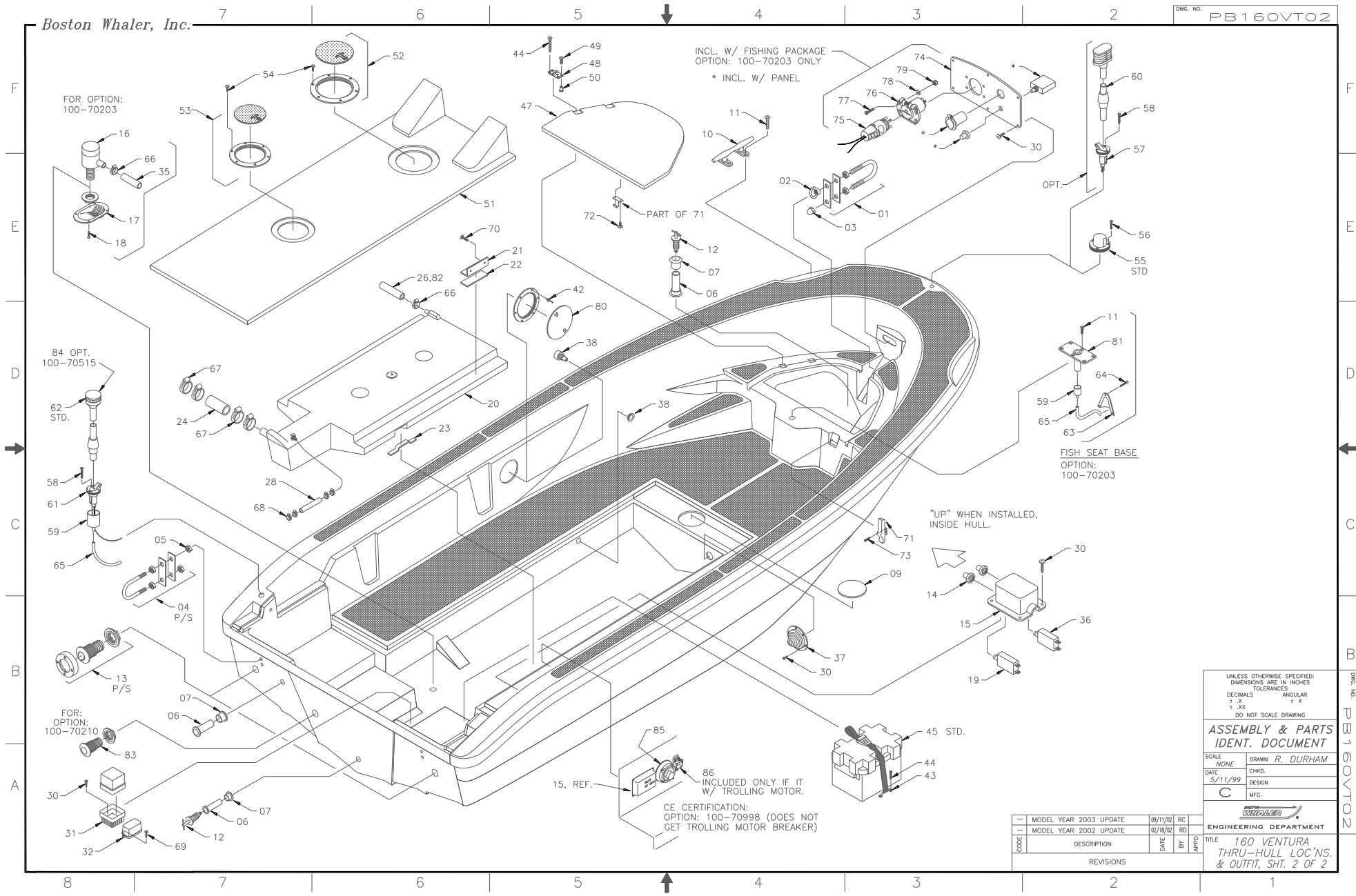
TITLE: 160 VENTURA THRU-HULL LOC'NS. & OUTFIT, SHT. 1 OF 2

CODE	DESCRIPTION	DATE	BY	APP'D
-	MODEL YEAR 2003 UPDATE	09/11/02	RC	
-	MODEL YEAR 2002 UPDATE	02/18/02	RD	
REVISIONS				



Boston Whaler, Inc.

DWG. NO. PB160VTO2



UNLESS OTHERWISE SPECIFIED:  
DIMENSIONS ARE IN INCHES  
TOLERANCES  
DECIMALS ± .X ANGULAR ± X  
DO NOT SCALE DRAWING

**ASSEMBLY & PARTS IDENT. DOCUMENT**

SCALE: NONE DRAWN: R. DURHAM  
DATE: 5/11/99 CHKD.:  
DESIGN:  
MFG.:

ENGINEERING DEPARTMENT

TITLE: 160 VENTURA THRU-HULL LOC'NS. & OUTFIT, SHT. 2 OF 2

CODE	DESCRIPTION	DATE	BY	APPD.
—	MODEL YEAR 2003 UPDATE	09/11/02	RC	
—	MODEL YEAR 2002 UPDATE	02/19/02	RD	

REVISIONS

DWG. NO. PB160VTO2

## MODEL YEAR 2003 PARTS LIST

BOAT MODEL: 160 VENTURA  
DOCUMENT CONTROL NO: PB160VT03

ITEM	QTY.	U/M	DESCRIPTION	B.W.I. NO.
01	1	EA.	EYE, BOW 1/2" x 6" SS	0995472
02	1	EA.	EYE, LIFTING 1/2" CHR	1033091
03	1	EA.	NUT, ACORN 1/2-13 SS	1007756
04	2	EA.	EYE, STERN 1/2" x 3" SS	0995464
05	4	EA.	NUT, HEX NYLON LOCK 1/2-13 SC	1260744
06	3	EA.	THRU-HULL, PVC PRESS-FIT	1042084
07	3	EA.	NUT, PVC RETAINING THRU-HULL	1042068
08				
09	1	EA.	COVER, ABS 7.75" POUR HOLE	1210756
10	4	EA.	CLEAT, 6" SS HOLLOW BASE	1027002
11	22	EA.	SCREW, MACH 1/4-20 x 1" PFH SC	1009950
12	2	EA.	PLUG, BRASS 1" DRAIN TURN-TITE	0133371
13	2	EA.	THRU HULL, PLAS 2" SCUPPER W/FLAPPER	0628081
14	2	EA.	BOOT, RESET BRKR CLEAR	1066547
15	1	EA.	BOX, ABS HARNESS	1037530
16	1	EA.	PUMP, LIVEWELL 500	0291211
17	1	EA.	STRAINER, MARELON SCREEN ONLY	995589
18	4	EA.	SCREW, TAPPING #8A x 1/2" PFH SC	1008390
19	1	EA.	BRKR, MANUAL RESET 5A	670497
20	1	EA.	TANK, FUEL 45 GAL CAPACITY	1171636
21	4	EA.	BRACKET, PVC 2"x 2"x 1/4"x 6" BW-01	1547280
22	1	EA.	RUBBER PAD, FUEL TANK 1/4" x 2" X 24"	1042449
23	6	FT.	TAPE, CLOSED CELL NEOPRENE 3/8"	0485318
24	2.7	FT.	HOSE, FUEL 1.5" TYPE A, CLASS 2	0123745
25				
26	8	FT.	HOSE, FUEL 5/8" ISO 7840-A2	0947499
27				
28	2	FT.	HOSE, FUEL 3/8" ISO/CE W/PLAS LINER	1497486
29				
30	6	EA.	SCREW, TAPPING #8A x 5/8" PTH SC	1010925
31	1	EA.	PUMP, BILGE 1100GPH	1480094
32	1	EA.	SWITCH, FLOAT RULE W/ COVER	0989335
33	3.7	FT.	HOSE, WATER 1-1/8" BLACK	1042076
34	2	EA.	CLAMP, HOSE #16 3/4-1.5" SS	0256685
35	5	FT.	HOSE, WATER 3/4" BLK REINF PVC	1042100
36	1	EA.	BRKR/SWITCH, PUSH BUTTON 30A ETA	365775
37	1	EA.	GROMMET, O/B HARNESS 3" BLACK	0580720
38	1	EA.	BUSHING, PLAS SNAP BLK BWCP-97	1041375
39	1	EA.	VENT, FUEL TANK 3/4" SS STRAIGHT	0859157
40	1	EA.	CLEAT, HDPE AFT STORAGE	1184621
41	3	EA.	SCREW, TAPPING #10A x 2.5" POH SC	1008531
42	6	EA.	RIVET, POP/BLIND #3/16 X 5/8" ALUM	0189415
43	2	EA.	BRACKET, BATT HOLDDOWN, 1.25"	1042837
44	8	EA.	SCREW, TAPPING #10A x 1" POH	1008507
45	1	EA.	HOLDER, BATTERY GR24 FULLY ENCL.	0650598
46	-	-	-	-
47	1	EA.	FIBERGLASS PART, BOW LOCKER COVER	22J72800
48	2	EA.	HINGE, DOOR SS 1.5" x 3.00"	0995159
49	6	EA.	SCREW, MACH #10-24 x 1/2" POH SC	1008432
50	6	EA.	NUT, BBL #10-24 PFH	1040187
51	1	EA.	FIBERGLASS PART, FUEL TANK COVER 16VT	22J85800
52	1	EA.	ACCESS PLATE, POLYPROP TWIST OUT 8"	1068659
53	1	EA.	ACCESS PLATE, POLYPROP TWIST OUT 6"	1068642
54	12	EA.	SCREW, TAPPING #10A x 3/4" PTH SC	1008762
55	1	EA.	LIGHT, NAV COMBO BOW	0860734
56	3	EA.	SCREW, TAPPING #4 x 1" PPH SC	1010636
57	1	EA.	LIGHT, NAV STERN BASE COMBO REMOVABLE	1119627
58	6	EA.	SCREW, TAPPING #6A x 1.25" POH SC	1008556
59	2	EA.	CAP, DRAINBOOT STERNLIGHT MAST	1042761
60	1	EA.	LIGHT, NAV COMBO BOW REMOVABLE	1072800
61	1	EA.	LIGHT, NAV STERN BASE RND CHR	0331751
62	1	EA.	LIGHT, NAV A/R STERN 62" 20DEG BEND	1576552
63	1	EA.	VENT, CLAMSHELL ROPE LKR 1 5/8"x1"	0126870
64	6	EA.	SCREW, TAPPING #6A x 1/2" PTH SC	1008796
65	1	FT.	TUBING, VINYL SPEEDO BLK	1043017
66	2	EA.	CLAMP, HOSE #10 SS	263954
67	4	EA.	CLAMP, HOSE #24 SS	256693
68	4	EA.	CLAMP, HOSE #06M	123398
69	2	EA.	SCREW, TAPPING #8A x .75" PPH SC	1010651
70	8	EA.	SCREW, TAPPING #14A x 1.5" PTH SC	1010909
71	1	EA.	LATCH, DRAW SOFT-LATCH 4" RIGHT ANGLE	1331487
72	2	EA.	SCREW, TAPPING #8A x .50" PTH SC	1008812
73	2	EA.	SCREW, TAPPING #6A x .50 PFH SC	1010362
74	1	EA.	PANEL, BOW TROLLING	1452598
75	1	EA.	PLUG, 12V (TROLLING MOTOR)	0803163
76	1	EA.	RECEPTACLE 12 (TROLLING MOTOR)	0803155
77	4	EA.	SCREW, MACH #10-24 x 1" POH SC	1010446
78	4	EA.	WASHER, FLAT #10 SC	1260751
79	4	EA.	NUT, HEX NYLON LOCK #10-24 SC	1007772
80	1	EA.	ACCESS PLATE, POLYPROP TWIST-OUT 5" WHT BWI	1016153
81	1	EA.	BASE, FISH PED 3" x 6" THREADED	1076967
82	1	EA.	SPRING, VENT 1.05"x12" SS	1041367
83	1	EA.	THRU-HULL, PLAS 1 1/8"x 5.5" WHT	1583061
84	1	EA.	LIGHT, NAV A/R STERN 64" 20DEG BEND	1630425
85	1	EA.	SWITCH, BATTERY SELECTOR W/O LOCK W/O DISC	0162693
86	1	EA.	BRKR, SURF MNT THERMAL 50AMP SWITCHABLE	1475441