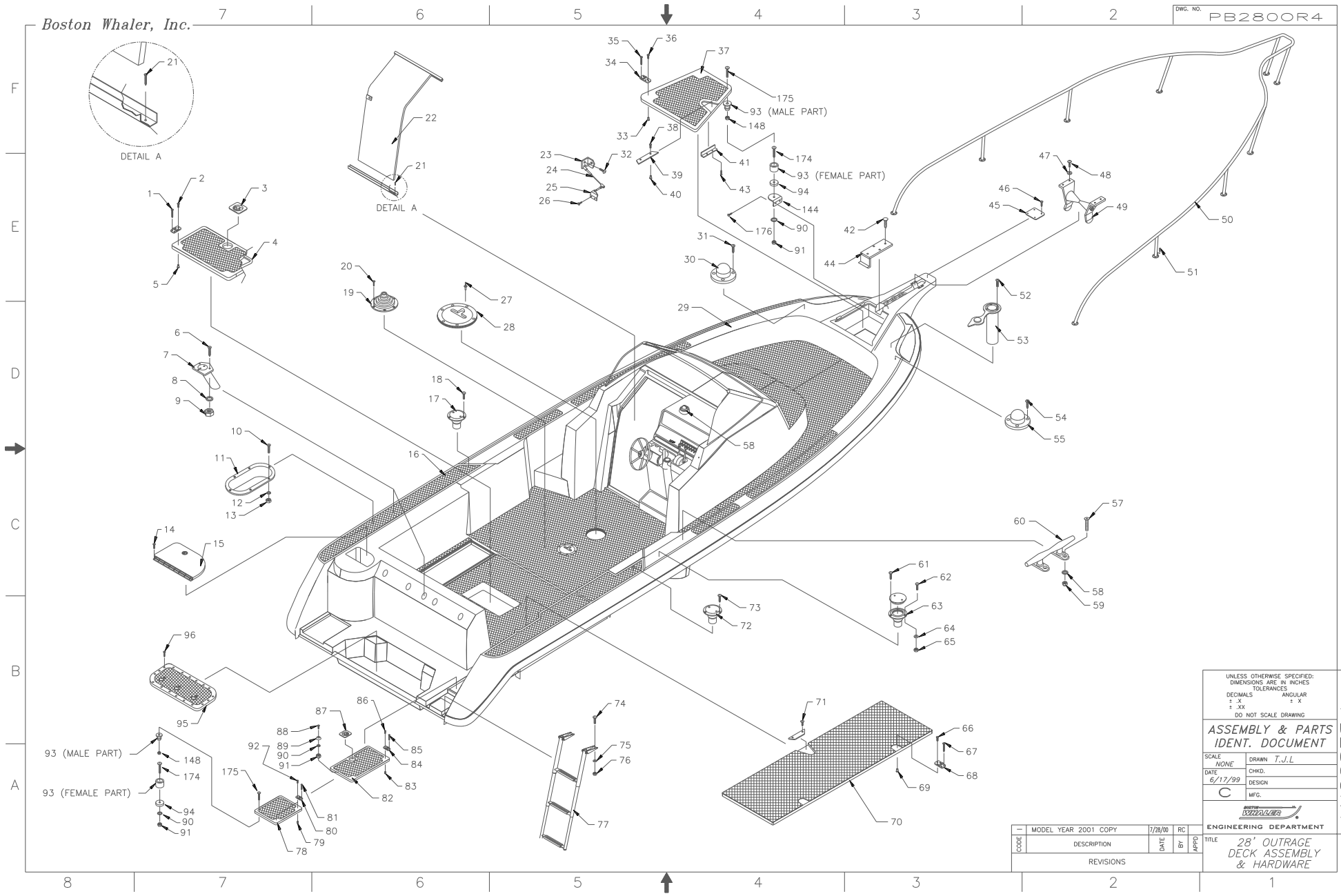


Boston Whaler, Inc.

DWG. NO. PB2800R4



UNLESS OTHERWISE SPECIFIED:  
DIMENSIONS ARE IN INCHES  
TOLERANCES

DECIMALS	ANGULAR
± .X	± X
± .XX	± .XX

DO NOT SCALE DRAWING

**ASSEMBLY & PARTS IDENT. DOCUMENT**

SCALE	NONE	DRAWN	T.J.L.
DATE	6/17/99	CHKD.	
		DESIGN	
		MFG.	

ENGINEERING DEPARTMENT

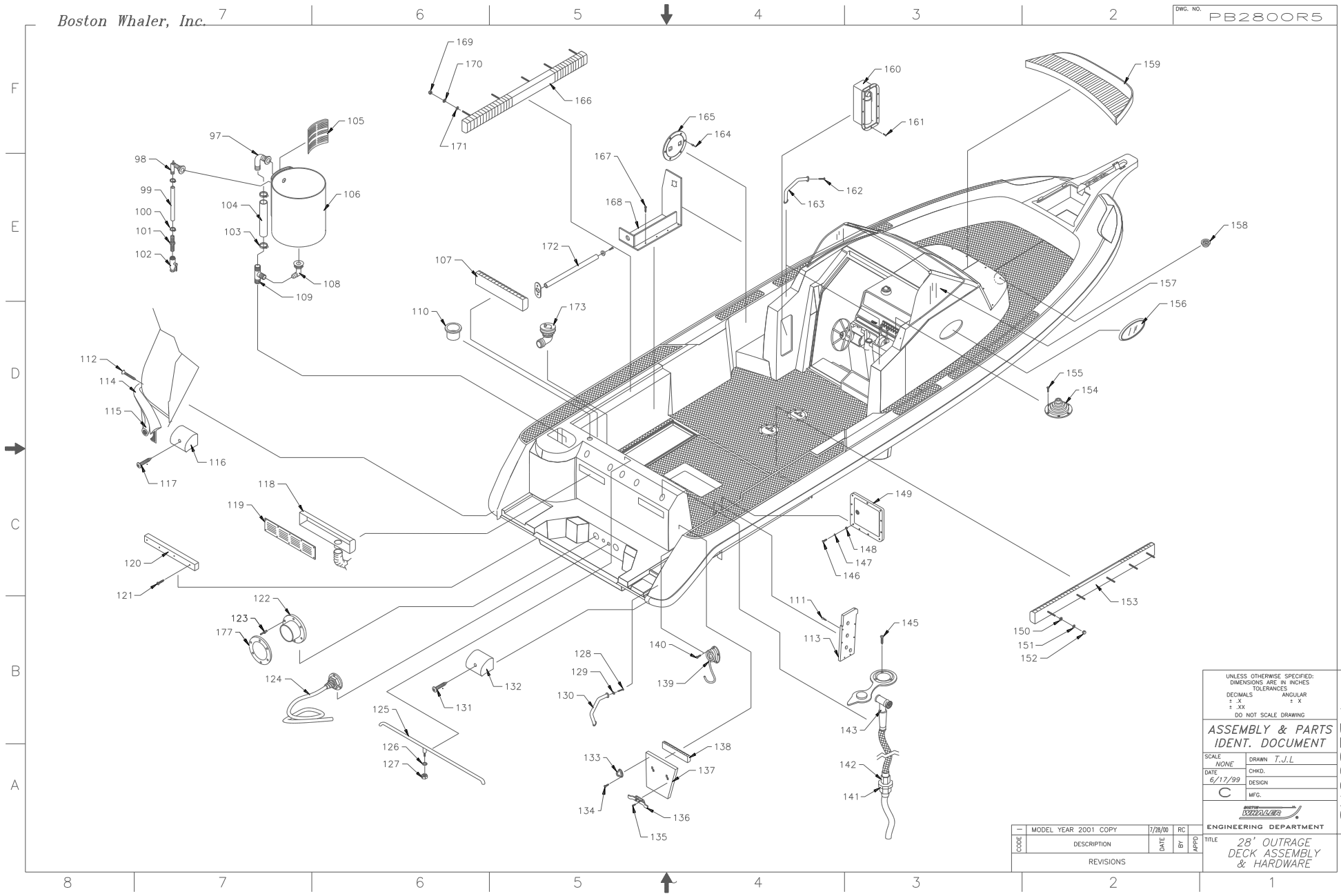
MODEL YEAR	2001 COPY	7/28/00	RC
CODE	DESCRIPTION	DATE	BY
			APPD
REVISIONS			

TITLE  
**28' OUTRAGE DECK ASSEMBLY & HARDWARE**

PB2800R4

Boston Whaler, Inc. 7

DWG. NO. PB2800R5



UNLESS OTHERWISE SPECIFIED:  
 DIMENSIONS ARE IN INCHES  
 TOLERANCES  
 DECIMALS ANGULAR  
 ± .X ± X  
 ± .XX ± .XX  
 DO NOT SCALE DRAWING

**ASSEMBLY & PARTS IDENT. DOCUMENT**

SCALE: NONE DRAWN: T.J.L.  
 DATE: 6/17/99 CHKD.:  
 DESIGN:  
 MFG.: C

**BOSTON WHALER**  
 ENGINEERING DEPARTMENT

CODE	DESCRIPTION	DATE	BY	APPROV.
REVISIONS				

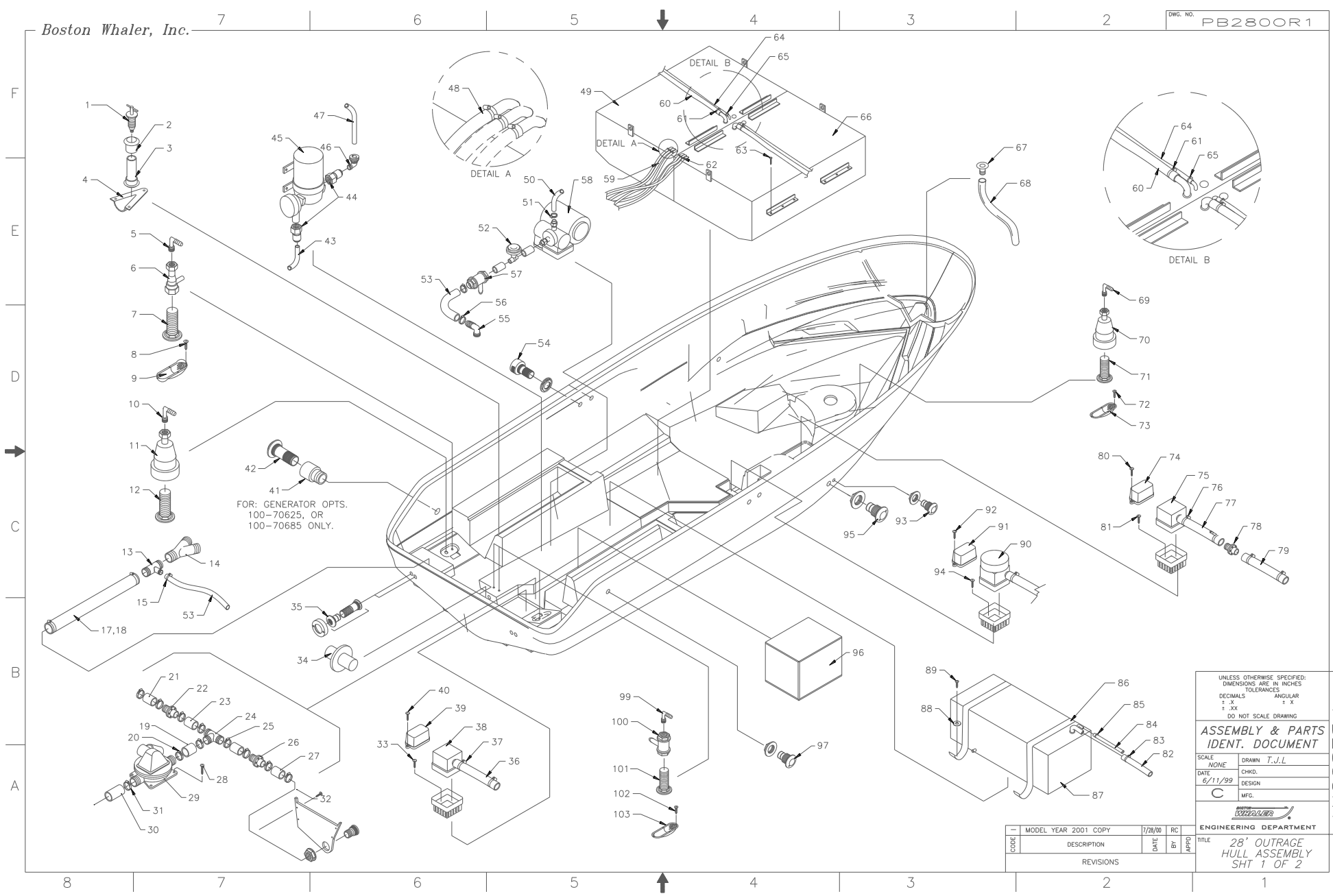
TITLE: 28' OUTRAGE DECK ASSEMBLY & HARDWARE

P W N B O O R S



Boston Whaler, Inc.

DWG. NO. PB2800R1



FOR: GENERATOR OPTS.  
100-70625, OR  
100-70685 ONLY.

UNLESS OTHERWISE SPECIFIED:  
DIMENSIONS ARE IN INCHES  
TOLERANCES  
DECIMALS      ANGULAR  
± .X              ± X  
± .XX

DO NOT SCALE DRAWING

**ASSEMBLY & PARTS IDENT. DOCUMENT**

SCALE: NONE      DRAWN: T.J.L.  
DATE: 6/11/99      CHKD.:  
DESIGN:  
MFG.:

**ENGINEERING DEPARTMENT**

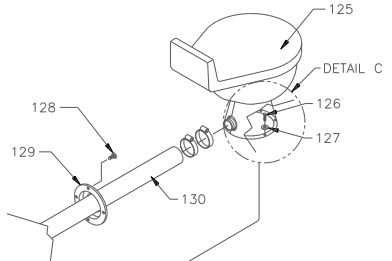
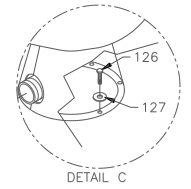
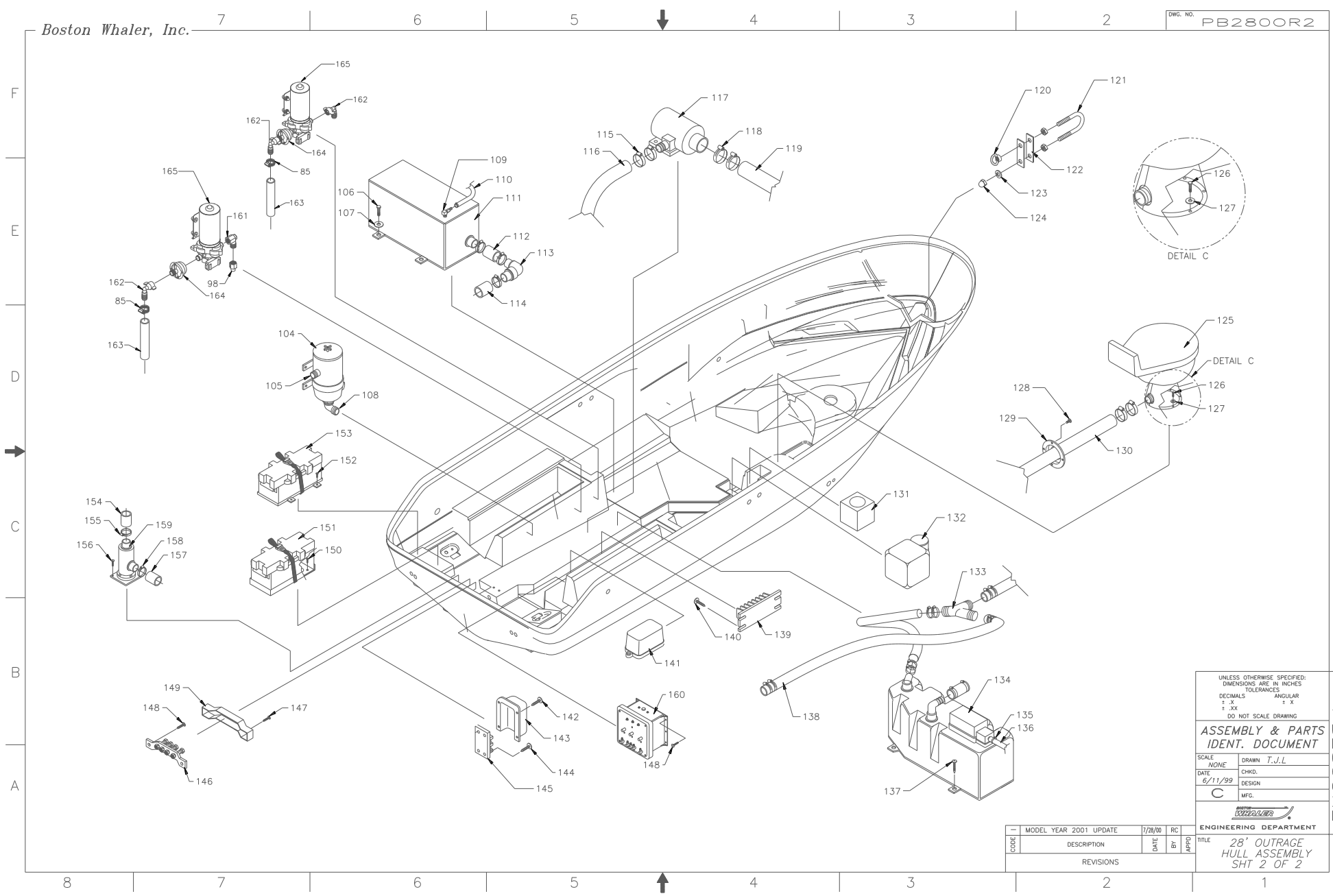
TITLE: 28' OUTRAGE HULL ASSEMBLY SHT 1 OF 2

CODE	DESCRIPTION	DATE	BY	APPD
REVISIONS				

DWG. NO. PB2800R1

Boston Whaler, Inc.

DWG. NO. PB2800R2



UNLESS OTHERWISE SPECIFIED:  
DIMENSIONS ARE IN INCHES  
TOLERANCES  
DECIMALS      ANGULAR  
± .X              ± X  
± .XX             ± .XX  
DO NOT SCALE DRAWING

**ASSEMBLY & PARTS IDENT. DOCUMENT**

SCALE: NONE      DRAWN: T.J.L.  
DATE: 6/11/99      CHKD.:  
DESIGN:  
MFG.:

**BOSTON WHALER**  
ENGINEERING DEPARTMENT

TITLE: 28' OUTRAGE HULL ASSEMBLY SHT 2 OF 2

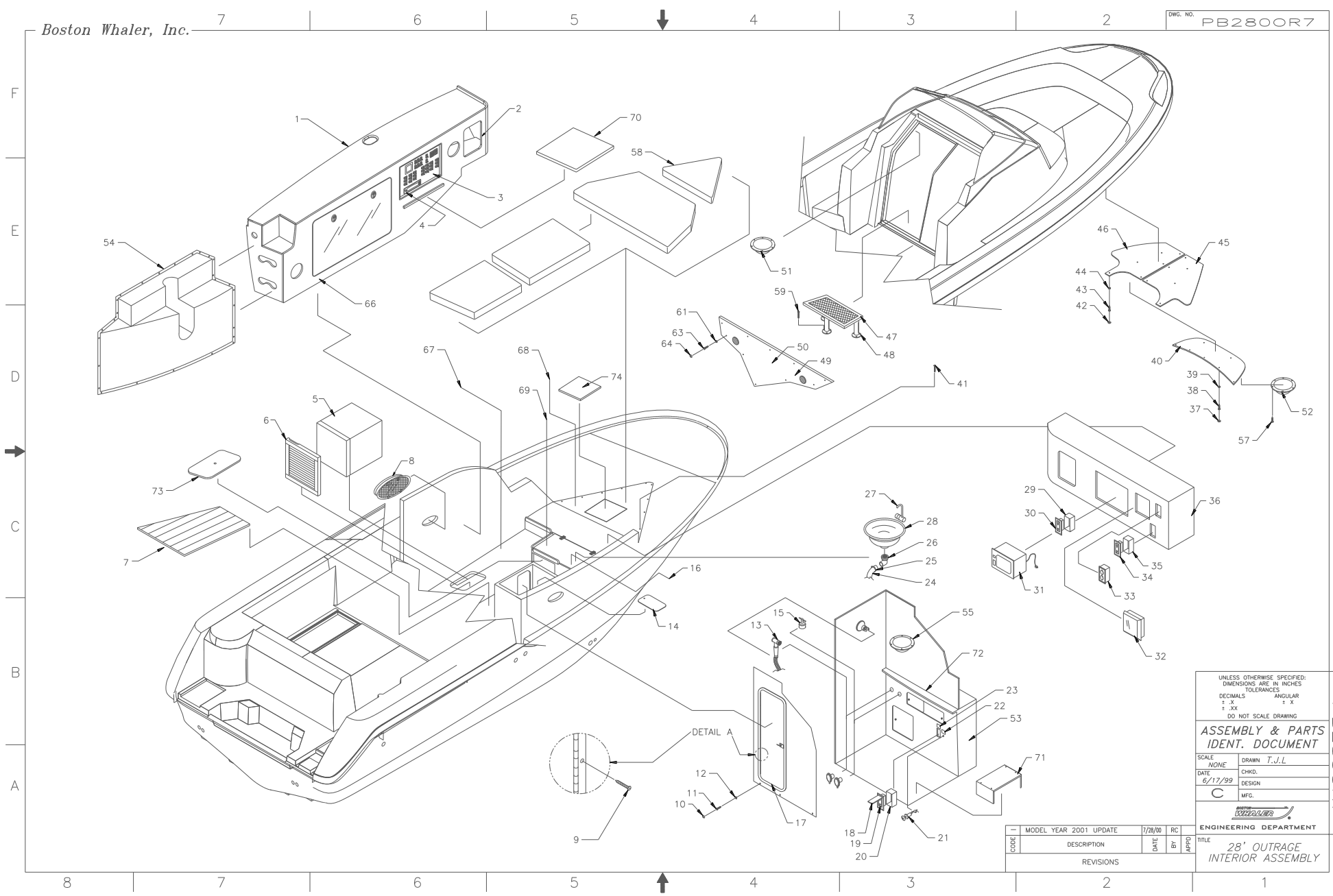
CODE	DESCRIPTION	DATE	BY	APPD
—	MODEL YEAR 2001 UPDATE	7/28/00	RC	
REVISIONS				

DRAWN: T.J.L.



Boston Whaler, Inc.

DWG. NO. PB2800R7



UNLESS OTHERWISE SPECIFIED:  
 DIMENSIONS ARE IN INCHES  
 TOLERANCES  
 DECIMALS      ANGULAR  
 ± .X              ± X  
 ± .XX             ± .XX  
 DO NOT SCALE DRAWING

**ASSEMBLY & PARTS IDENT. DOCUMENT**

SCALE: NONE      DRAWN: T.J.L.  
 DATE: 6/17/99      CHKD.:  
 DESIGN:  
 MFG.:



ENGINEERING DEPARTMENT

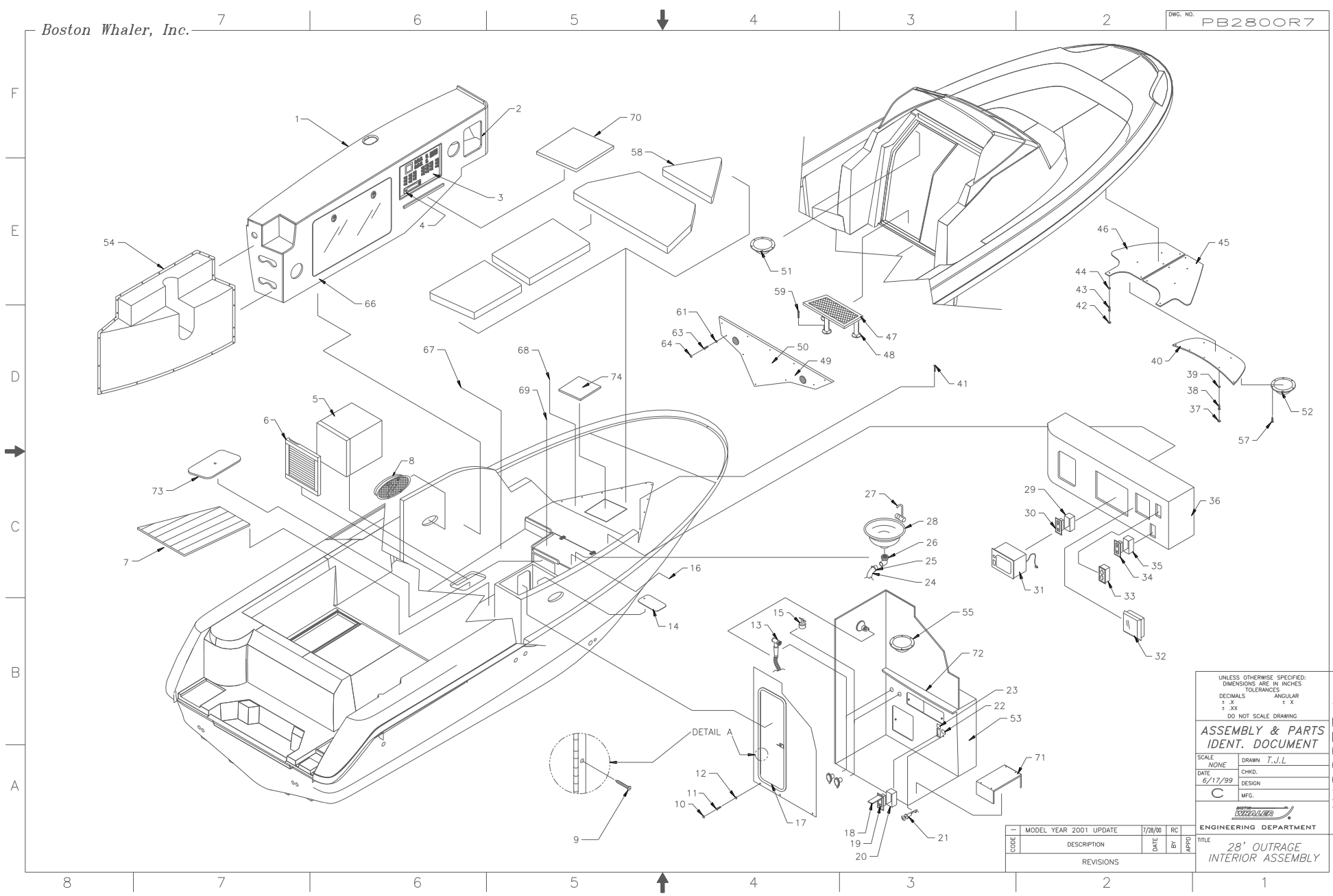
CODE	DESCRIPTION	DATE	BY	RC	APPRO
1	MODEL YEAR 2001 UPDATE	7/28/00			
REVISIONS					

TITLE: 28' OUTRAGE INTERIOR ASSEMBLY

DWG. NO. PB2800R7

Boston Whaler, Inc.

DWG. NO. PB2800R7



UNLESS OTHERWISE SPECIFIED:  
 DIMENSIONS ARE IN INCHES  
 TOLERANCES  
 DECIMALS      ANGULAR  
 ± .X              ± X  
 ± .XX             ± .XX  
 DO NOT SCALE DRAWING

**ASSEMBLY & PARTS IDENT. DOCUMENT**

SCALE: NONE      DRAWN: T.J.L.  
 DATE: 6/17/99      CHKD.:  
 DESIGN:  
 MFG.:

**ENGINEERING DEPARTMENT**

TITLE: 28' OUTRAGE INTERIOR ASSEMBLY

CODE	DESCRIPTION	DATE	BY	APPROV.
—	MODEL YEAR 2001 UPDATE	7/28/00	RC	
REVISIONS				

DWG. NO. PB2800R7



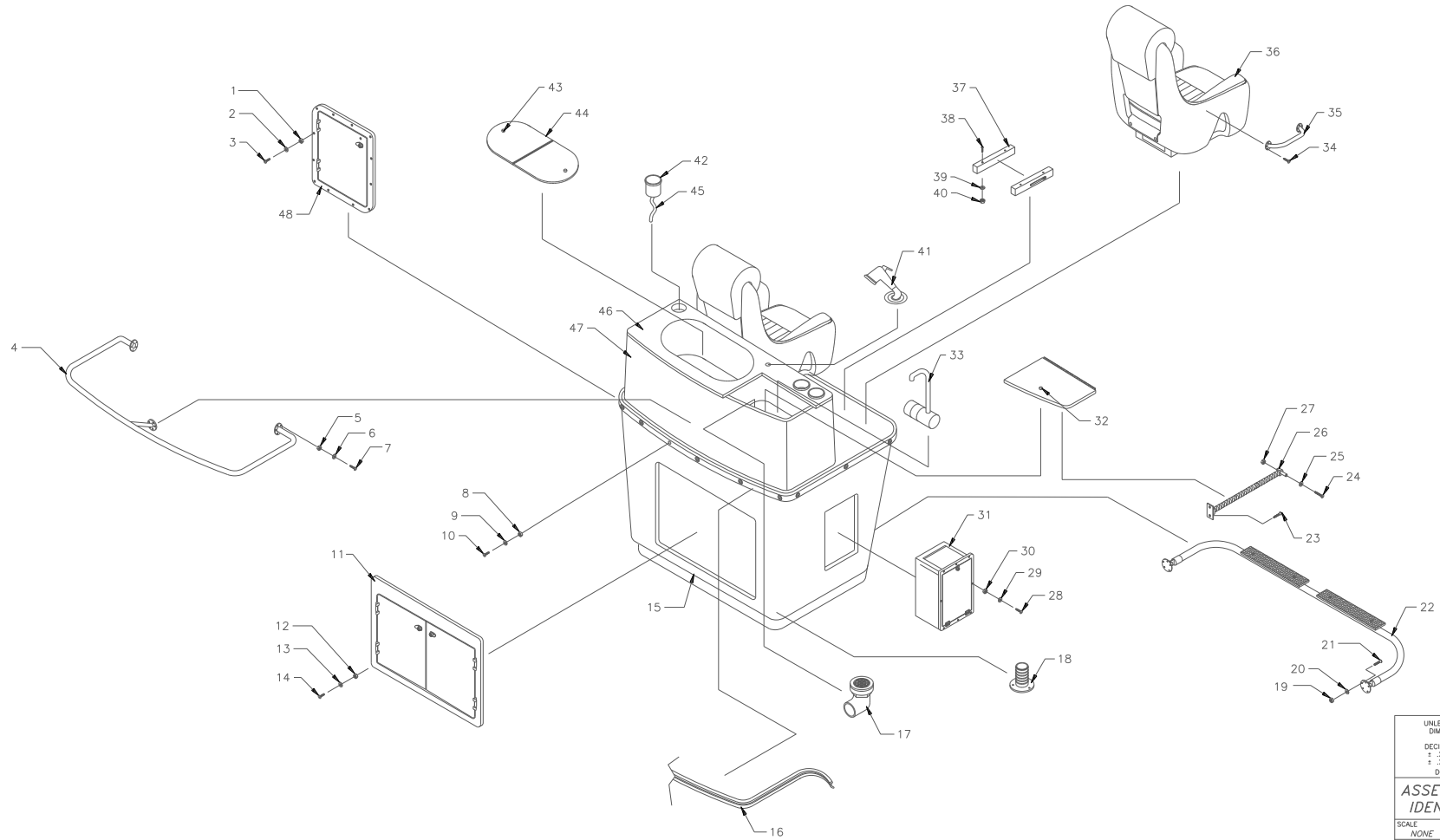
## MODEL YEAR 2001 PARTS LIST

BOAT MODEL: 28' OUTRAGE  
DOCUMENT CONTROL NO: PB2800RB

ITEM	QTY.	U/M	DESCRIPTION	B.W. NO.
01	1	EA.	ALARM, POLARITY INDICATOR	1042340
02	1	EA.	MONITOR, CO INDICATOR	0965707
03	1	EA.	PANEL, MAIN DIST W/GE	1454990
			PANEL, MAIN DIST W/GE	1455005
			PANEL, MAIN DIST W/GE 120V	1455013
			PANEL, MAIN DIST W/GE 220V	1455021
04	1	EA.	STEREO , AM/FM CD PLAYER W/CHANGER	1158823
05	1	EA.	REFRIGERATOR, 2.0 CF AC/DC	0777417
06	1	EA.	TEAK, LOUVER DOOR	1202142
07	1	EA.	PLY, P/C CABIN SOLE	1202183
08	2	EA.	PORTLIGHT, ELLIPSE 6" X 16" SILVR	1244417
09	4	EA.	SCREW, TAPPING #6A X 1" PFH	1010354
10	20	EA.	SNAP CAP, PLASTIC WHITE	1031301
11	4	EA.	SCREW, TAPPING #10A X 1 1/2" POH	1008515
12	30	EA.	SNAP CAP, PLASTIC WASHER	1031319
13	1	EA.	WASHDOWN SPRAYERS, VERT MT WHITE	1058858
14	1	EA.	SHOWER, FLOOR COVER	22J82700
15	1	EA.	VALVE, CONTROL MIXER SHOWER RECESSED	1131523
16	1	EA.	CABINET GALLEY	1124858
17	1	EA.	DOOR, HEAD ALUMINUM FRAME	1105683
18	1	EA.	COVER, PLATE SS GFI DUPLEX WATERPROOF	1128516
19	2	EA.	RECEPTACLE, GFI DUPLEX WHITE 15A	0258368
20	3	EA.	BOX, RECEPTACLE BOX ONLY	0145128
21	1	EA.	SWITCH, WASTE PUMP W/KEY	1444074
22	1	EA.	PANEL, DO NOT FLUSH W/RED LIGHT	1164128
23	1	EA.	LABEL, NOTICE NO OVERHEAD DISCHARGE	0955278
24	2	FT.	HOSE, WATER 1" EX. HEAVY DUTY	0124701
25	1	EA.	CLAMP, HOSE #16	0256685
26	1	EA.	DRAIN, ASBLY FLUSH MT W/1" HOSE BARB	0886200
27	1	EA.	FAUCET, CHR SWIVEL/FOLD SPOUT H/C	1179720
28	1	EA.	SINK, SS 12" DIA X 6" DEEP	1204759
29	1	EA.	BOX, RECEPTACLE BOX ONLY	0145128
30	1	EA.	RECEPTACLE, DUPLEX WHITE	1275496
31	1	EA.	MICROWAVE, PRINCESS 0.7 CF WHITE 120V	1275486
32	1	EA.	DISCHARGE GRILL, A/C 4" X 4"	1126212
33	1	EA.	CONTROL PAD, AC SYSTEM	1126648
34	1	EA.	RECEPTACLE, DUPLEX WHITE	0324038
35	1	EA.	BOX, RECEPTACLE BOX ONLY	0145128
36	1	EA.	CABINET, MICROWAVE STORAGE	1486786
37	15	EA.	SNAP, PLASTIC WHEAT MATTE	1139500
38	4	EA.	SCREW, TAPPING #10A X 1 1/2" POH	1008515
39	8	EA.	SNAP, CAP PLASTIC WASHER	1031319
40	1	EA.	CUSH, HEADLINER MID FWD	1202217
41	AR	EA.	SCREW, TAPPING #10A X 2" PTH	1008754
42	20	EA.	SNAP, CAP PLASTIC WHEAT MATTE	1139500
43	AR	EA.	SCREW, TAPPING #10A X 1" POH	1008507
44	8	EA.	SNAP, CAP PLASTIC WASHER	1031319
45	1	EA.	CUSHION, HEADLINER STRBD FWD	1129972
46	1	EA.	CUSHION, HEADLINER PORT FWD	1129980
47	1	EA.	COMPANIONWAY STEP	22J83600
48	3	EA.	STANCHION, SS COMPANIONWAY	1128636
49	1	EA.	PLY, P/C BULKHEAD HEAD WHITE	1137355
50	1	EA.	BULKHEAD, PB VINYL ANCHOR LOCKER	1133594
51	1	EA.	LIGHT, DOME EXTERIOR 4" WHITE	0996488
52	1	EA.	LIGHT, DOME INTERIOR 4" BILGE	1131572
53	1	EA.	CABINET, HDPE VANITY	1136431
54	1	EA.	PANEL, ABS CLOUT ROD LOCKER	1404938
55	1	EA.	LIGHT, COURTESY WATERPROOF FRONT MN	1078625
56		EA.		
57	13	EA.	SCREW, TAPPING #8A X 1/2" PTH	1008812
58	1	SET	CUSHION, SET V-BERTH	1474055
59	4	EA.	SCREW, TAPPING #10A X 3/4" PTH	1008762
60		EA.		
61	7	EA.	SNAP, CAP PLASTIC WASHER	1031319
62		EA.		
63	AR	EA.	SCREW, TAPPING #10A X 2" PTH	1008754
64	10	EA.	SNAP, CAP PLASTIC WHITE	1031301
65		EA.		
66	1	EA.	CABINET, ROD STORAGE	1486778
67	1	EA.	CABINET, BUNK PORT	1486802
68	1	EA.	CABINET, V-BERTH	1486760
69	1	EA.	PLY, P/C INSERT GALLEY C	1323468
70	1	EA.	BUNK, BOARD	1486810
71	1	EA.	PANEL, CLOSEOUT HEAD	1313642
72	1	EA.	SHELF, HDPE VANITY	1314061
73	1	EA.	LID, HDPE BUNK PORT	1313584
74	1	EA.	LID, MID STORAGE	1313634
			NOT SHOWN	
	1	EA.	WELT, SEA OYSTER	1148303
	1	EA.	PLY, P/C BULKHEAD MAIN	1202084
	1	EA.	CUSHION, HEADLINER COMPANIONWAY	1202167
	1	EA.	CUSHION, HEADLINER AFT BULK	1202175
	1	EA.	CUSHION, HEADLINER CABIN SI	1202209
	1	EA.	MAPLE, P/C 1 1/2" X 62"	1256767
	1	EA.	LID, HDPE CABINET STRB BUNK	1313626
	1	EA.	BRACKET, SS LIFT CYL. 90° 0.70	0817676
	1	EA.	BRACKET, LIFT CYL. SS OFFSET W/SCREW	0995084
	4	EA.	UPH, PARTS DRAPE CEILING BRACKET	0186676
	2	EA.	TRACK ALUMINUM CURT TRACK 8" I BEAM	0737239
	1	EA.	CURTAIN, SHOWER OR-99	1202118
	2	EA.	UPH, PARTS END STOP W/SCREEN	1218254
	1	EA.	COVER, ABS THRU-HULL	1255413
	1	EA.	THRESHHOLD, HDPE COMPANIONWAY	1135391
	1	SET	TRIM, HDPE COMPANIONWAY	1228717

Boston Whaler, Inc.

DWG. NO. PB2800R9



UNLESS OTHERWISE SPECIFIED:  
 DIMENSIONS ARE IN INCHES  
 TOLERANCES  
 DECIMALS ANGULAR  
 ± .X ± X  
 ± .XX ± .XX  
 DO NOT SCALE DRAWING

**ASSEMBLY & PARTS IDENT. DOCUMENT**

SCALE: NONE DRAWN: T.J.L.  
 DATE: 6/17/99 CHKD.:  
 DESIGN:  
 MFG.:

**ENGINEERING DEPARTMENT**

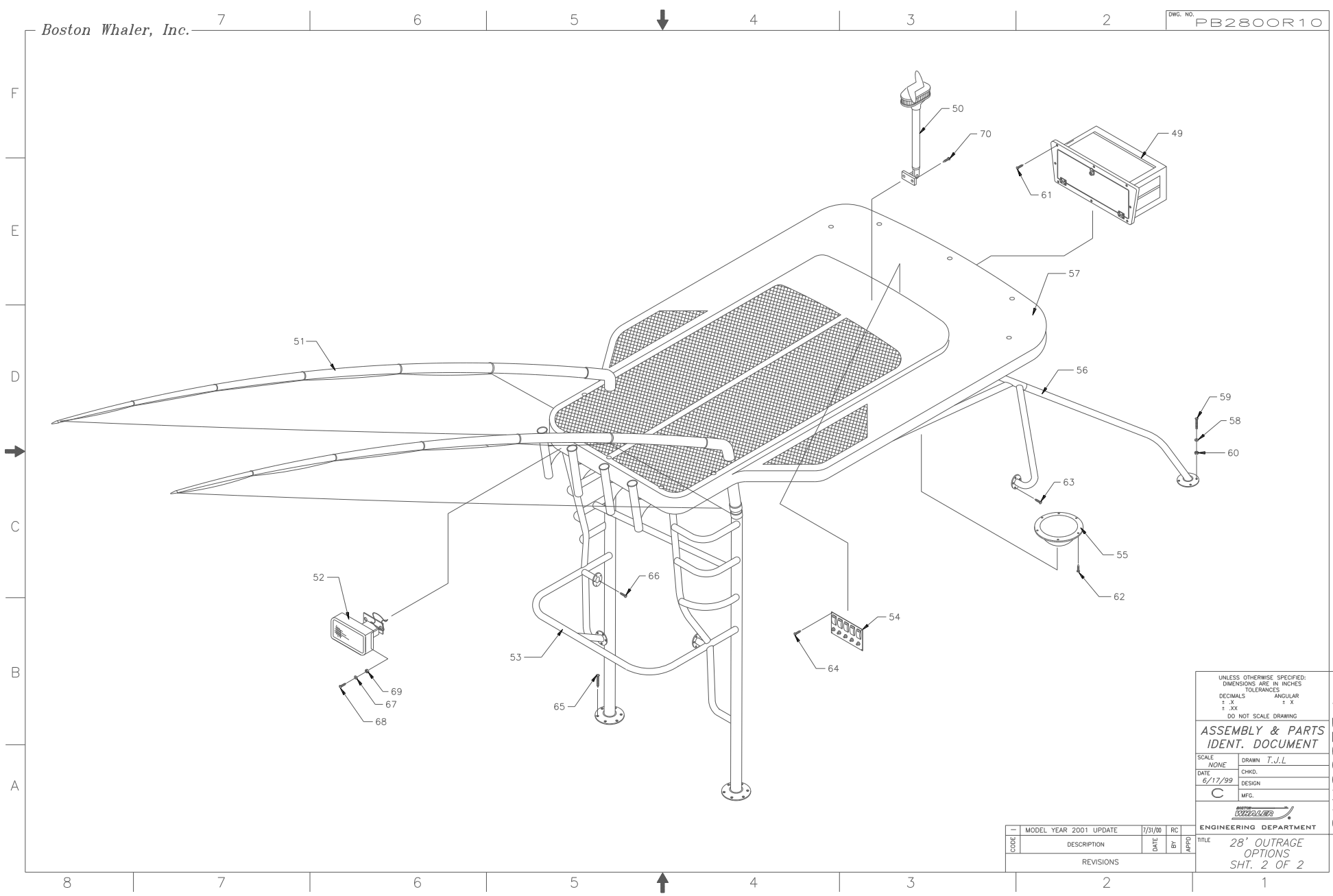
CODE	MODEL YEAR	DESCRIPTION	DATE	BY	RC	APPRO
	2001 COPY		7/31/00			
REVISIONS						

TITLE: 28' OUTRAGE OPTIONS SHT. 1 OF 2

DWG. NO. PB2800R9

Boston Whaler, Inc.

DWG. NO. PB2800R10



UNLESS OTHERWISE SPECIFIED:  
 DIMENSIONS ARE IN INCHES  
 TOLERANCES  
 DECIMALS     ANGULAR  
 ± .X             ± X  
 ± .XX            ± .XX  
 DO NOT SCALE DRAWING

**ASSEMBLY & PARTS IDENT. DOCUMENT**

SCALE: NONE     DRAWN: T.J.L.  
 DATE: 6/17/99     CHKD.:  
 C     DESIGN:  
 MFG.:



ENGINEERING DEPARTMENT

CODE	MODEL YEAR 2001 UPDATE	7/31/00	RC
REVISIONS			
	DESCRIPTION	DATE	BY / APPD

TITLE: 28' OUTRAGE OPTIONS  
 SHIT. 2 OF 2

DWG. NO. PB2800R10

B

## MODEL YEAR 2001 PARTS LIST

BOAT MODEL: 28' OUTRAGE  
DOCUMENT CONTROL NO: PB2800R11

ITEM	QTY.	U/M	DESCRIPTION	B.W.I. NO.
01	4	EA.	NUT, HEX NYLON LOCK #10-24	1007772
02	4	EA.	WASHER, FLAT #10 SS	0152918
03	8	EA.	SCREW, MACHINE #10-24 X 1 1/4" POH	1008424
04	1	EA.	RAIL, GRAB PREP STATION	1128594
05	4	EA.	NUT, LOCK 1/4-20 STANDARD	1009786
06	3	EA.	WASHER, FENDER 1/4" X 1 1/4"	0189365
07	3	EA.	SCREW, MACHINE 1/4-20 X 1" PPH	1008580
08	AR	EA.	NUT, HEX NYLON LOCK #10-24	1007772
09	2	EA.	WASHER, FLAT #10 SS	0152918
10	22	EA.	SCREW, MACHINE #10-24 X 1" PFH	0153130
11	AR	EA.	FRAME, HDPE/PLEX PREP STA W/STRONG	1130020
12	6	EA.	NUT, HEX NYLON LOCK #10-24	1007772
13	30	EA.	WASHER, FLAT #10 SS	0152918
14	2	EA.	SCREW, MACHINE 1/4-20 X 1 1/4"	1008630
15	1	EA.	LEANING, POST BOTTOM	22J82300
16	AR	FT.	MOLDING, VINYL "L" OFF-WHITE W/ADH	1020924
17	2	EA.	DRAIN ASBLY FLUSH MNT W/1" HOSE BARB	1043371
18	2	EA.	DRAIN, 1" IMPACT W/BARB BLACK	1041888
19	4	EA.	NUT, LOCK 1/4-20 STANDARD	1009786
20	3	EA.	WASHER, FENDER 1/4" X 1 1/4"	0189365
21	3	EA.	SCREW, MACHINE 1/4-20 X 1" PPH	1008580
22	1	EA.	RAIL, FOOTREST PREP STATION FOLDING	1193085
23	2	EA.	SCREW, TAPPING #8 X 1/2" PTH	1008812
24	8	EA.	SCREW, MACHINE #10-24 X 1 1/4" POH	1008424
25	AR	EA.	WASHER, FLAT #8 SS	0152900
26	12	EA.	HOLDER, HDPE HATCH 8 1/2" X 7/16" DIA	1062140
27	AR	EA.	NUT, LOCK #8-32	1009927
28	2	EA.	SCREW, MACHINE 1/4-20 X 1 1/4" PPH	1008630
29	4	EA.	WASHER, FLAT #10 SS	0152918
30	AR	EA.	NUT, HEX NYLON LOCK #10-24	1007772
31	2	EA.	BIN, HDPE/PLEX SEAFOAM	1062520
32	1	EA.	PIN, HATCH LIFT 2" SS	1143460
33	1	EA.	FAUCET, CHR SWIVEL/FLD SPOUT COLD WTR	1143767
34	4	EA.	SCREW, TAPPING #10A X 3/4" PTH	1008762
35	2	EA.	RAIL, GRAB W/O STUD	1011675
36	1	EA.	SEAT, HELM W/FLIP-UP BOLSTER	1124924
37	2	EA.	SLIDE ASSEMBLY, HELM SEAT	1040930
38	16	EA.	SCREW, MACHINE 5/16-18 X 1 1/2" PFH	0665786
39	4	EA.	WASHER, FLAT 5/16 X 3/4" SS	1008903
40	2	EA.	NUT, HEX NYLON LOCK 5/16-18 SC	1007814
41	1	EA.	SHOWER, SPRAY NOZZLE ANGLE BASE	0785246
42	3	EA.	DRINKHOLDER, PLASTIC W/DRAIN XLRG BLK	1186329
43	1	EA.	PIN, HATCH LIFT 2" SS	1143460
44	1	EA.	LID, HDPE BAITWELL PREP STATION	1128651
45	9	FT.	HOSE, PVC CLEAR DRAIN	1041490
46	1	EA.	COVER, HDPE PREP STATION	1128644
47	1	EA.	LEANING POST TOP	22J82100
48	1	EA.	DOOR, HDPE/PLEX ACCESS PREP STATION	1130046
49	1	EA.	BOX, HDPE/PLEX BW2800R-99 ELEC ENCL.	1105246
50	1	EA.	LIGHT, NAV MASTHEAD COMBO VERT MT1	1122563
51	2	EA.	OUTRIGGERS, TOP GUN POLES 15' (RUPP)	1078153
52	2	EA.	LIGHT, HALOGEN 12V FLOOD 4" X 6" BLK	1040047
53	1	EA.	RAIL, GRAB BW2800R-98 PREP STATION	1128594
54	1	EA.	PANEL, BW2800R-98 ELEC HARDTOP	1443613
55	2	EA.	LIGHT,SINGLE DOME FLSH MNT SS WHT/RED	1041268
56	1	EA.	FRAME, H/TOP BRUSHED ALUM	1124981
	1	EA.	FRAME, H/TOP TOPGUNB RUS	1453547
57	1	EA.	FIBRGLS PART, BW2800R-99 HRDTOP CMP	1197409
58	30	EA.	WASHER, FENDER 1/4" X 1 1/4" SS	0189365
59	30	EA.	SCREW, MACHINE #1/4-20 X 1 3/4" PPH	1008606
60	3	EA.	NUT, LOCK #1/4-20 SC STD PATT	1009786
61	4	EA.	SCREW, TAPPING 10A X 1 1/2" PTH	1008747
62	4	EA.	SCREW, TAPPING #8A X 1/2" PTH	1008812
63	8	EA.	SCREW, TAPPING #14A X 1" PPH	1008689
64	2	EA.	SCREW, TAPPING #8A X 1/2" PTH	1008812
65	AR	EA.	SCREW,TAPPING #14 X 1 1/2" PPH	1008697
66	8	EA.	SCREW, TAPPING #14A X 1" PPH	1008689
67	30	EA.	WASHER, FENDER 1/4" X 1 1/4" SS	0189365
68	3	EA.	SCREW, MACHINE #1/4-20 X 1" PPH	1008580
69	3	EA.	NUT, LOCK #1/4-20 SC STD PATT	1009786
70	16	EA.	SCREW,TAPPING #10A X 1" PTH	1008739
			NOT SHOWN	
	4	EA.	SCREW, MACHINE 1/4-20 X 3/4" PPH	0151720
	AR	EA.	SCREW, MACHINE #8-32 X 1" PTH	1008713
	2	EA.	LIGHT, COURTESY SURF MNT CLEAR/GROUND	1062355
	1	EA.	CANVAS,BW2800R-98 BIMTOP W/BOOT R	1124874
	1	EA.	CANVAS,BW2800R-98 BIMTOP SIDE CURTAIN	1124809
	1	EA.	CANVAS, BW2800R-98 BIMTOP VISOR CU	1148238
	1	EA.	CANVAS, BW2800R-98 H/T SIDE CURT SE	1124973
	1	EA.	CANVAS, BW2800R-98 H/T VISOR CURT R	1148261
	1	EA.	DOCUMENT, HOW TO CARE FOR ALUMINUM.	1143999
	1	EA.	FUSE BLOCK, 6 GANG 20 AMP	0996298
	1	EA.	FRAME, BW2800R-98 H/TOP BRUSHED FIN	1124981
	1	EA.	FIBRGLS PART, BW2800R-99 HRDTOP CMP	1197409
	2	EA.	LIGHT, COURTESY SURF MOUNT CLR GRND	1062355
	1	EA.	CANVAS, BW2800R-98 BIM TOP DRP/CURT	1124957