

MODEL YEAR 2004 PARTS LIST

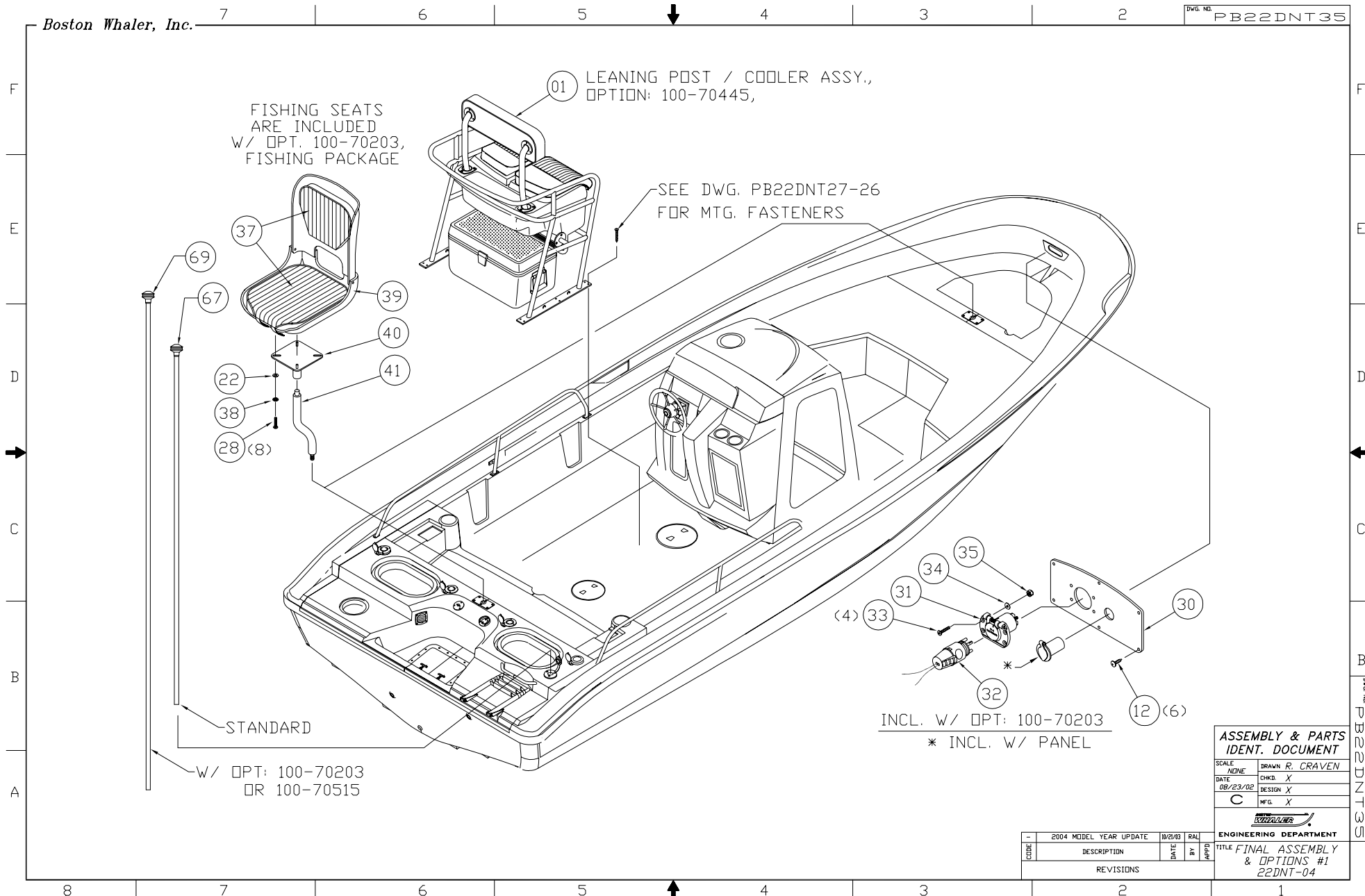
BOAT MODEL: 22DNT-04

DOCUMENT CONTROL NO: PB22DNT30

ITEM	QTY	OPT			U/M	DESCRIPTION	B.W.I. NO.
1	1				EA.	O/B, MERC 200XL OPTIMAX DIGITAL 25"SHAFT	1753095
2		1			EA.	O/B, MERC 225XL OPTIMAX DIGITAL 25"SHAFT	1753167
3			1		EA.	O/B, MERC F225XL EFI 4-STROKE 25" SHAFT	1750652
4				1	EA.	O/B, MERC 225XL OPTIMAX DTS 25" SHAFT	1737633
5	2				FT.	HOSE, CONDUIT/EXPANDO-SHEATHING BLK 1.5"	0158402
6	1				EA.	PRIMER BULB, W/FUEL LINE	1477900
7			1		EA.	PROP, 15.25"X 19" SS MIRAGE PLUS RH	0147678
8	1				EA.	PROP, 15.5"X 17" SS REVOLUTION 4 RH	155820
9	1				EA.	BAG, POLY 33"X 40"X 33GAL HVY CLR	1143163
10				1	EA.	ACC PART, MERC DEP FINDER/TRANSDUCER	1738329
11	2			3	EA.	SCREW, TAPPING #10A x 1" PTH SC	1008739
12	1				EA.	ACC PART, MERC SPEEDOMETER/ TEMP DIGITAL	1477942

Boston Whaler, Inc.

DWG. NO. PB22DNT35



FISHING SEATS ARE INCLUDED W/ OPT. 100-70203, FISHING PACKAGE

01 LEANING POST / COOLER ASSY., OPTION: 100-70445,

SEE DWG. PB22DNT27-26 FOR MTG. FASTENERS

STANDARD

W/ OPT: 100-70203 OR 100-70515

INCL. W/ OPT: 100-70203 * INCL. W/ PANEL

ASSEMBLY & PARTS IDENT. DOCUMENT

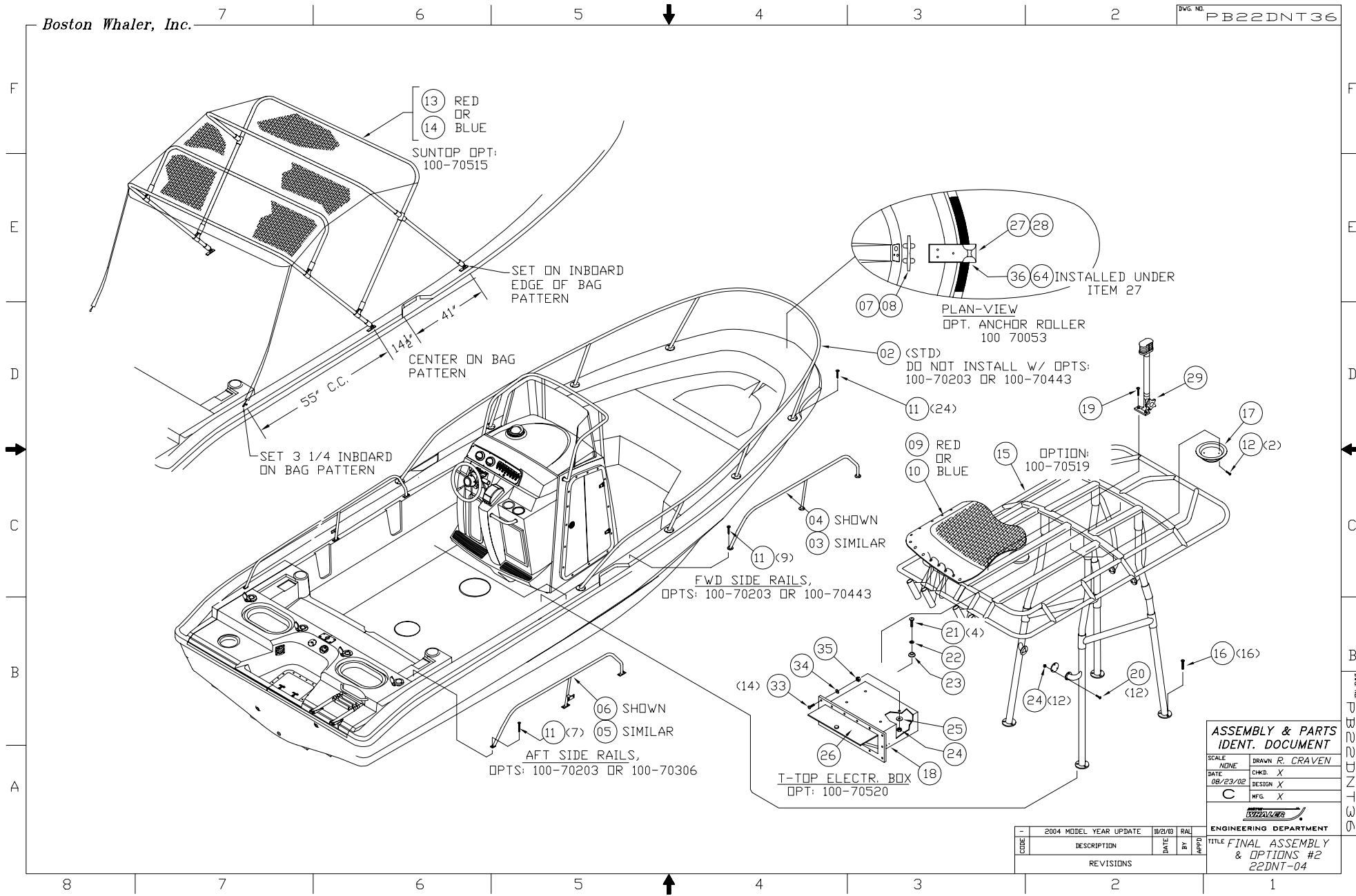
SCALE	DRAWN	R. CRAVEN	
NONE	CHKD.	X	
DATE	08/23/02	DESIGN	X
C	MFG.	X	

ENGINEERING DEPARTMENT

CODE	DESCRIPTION	DATE	BY	APPD
-	2004 MODEL YEAR UPDATE	10/21/03	RAL	
REVISIONS				

TITLE FINAL ASSEMBLY & OPTIONS #1 22DNT-04

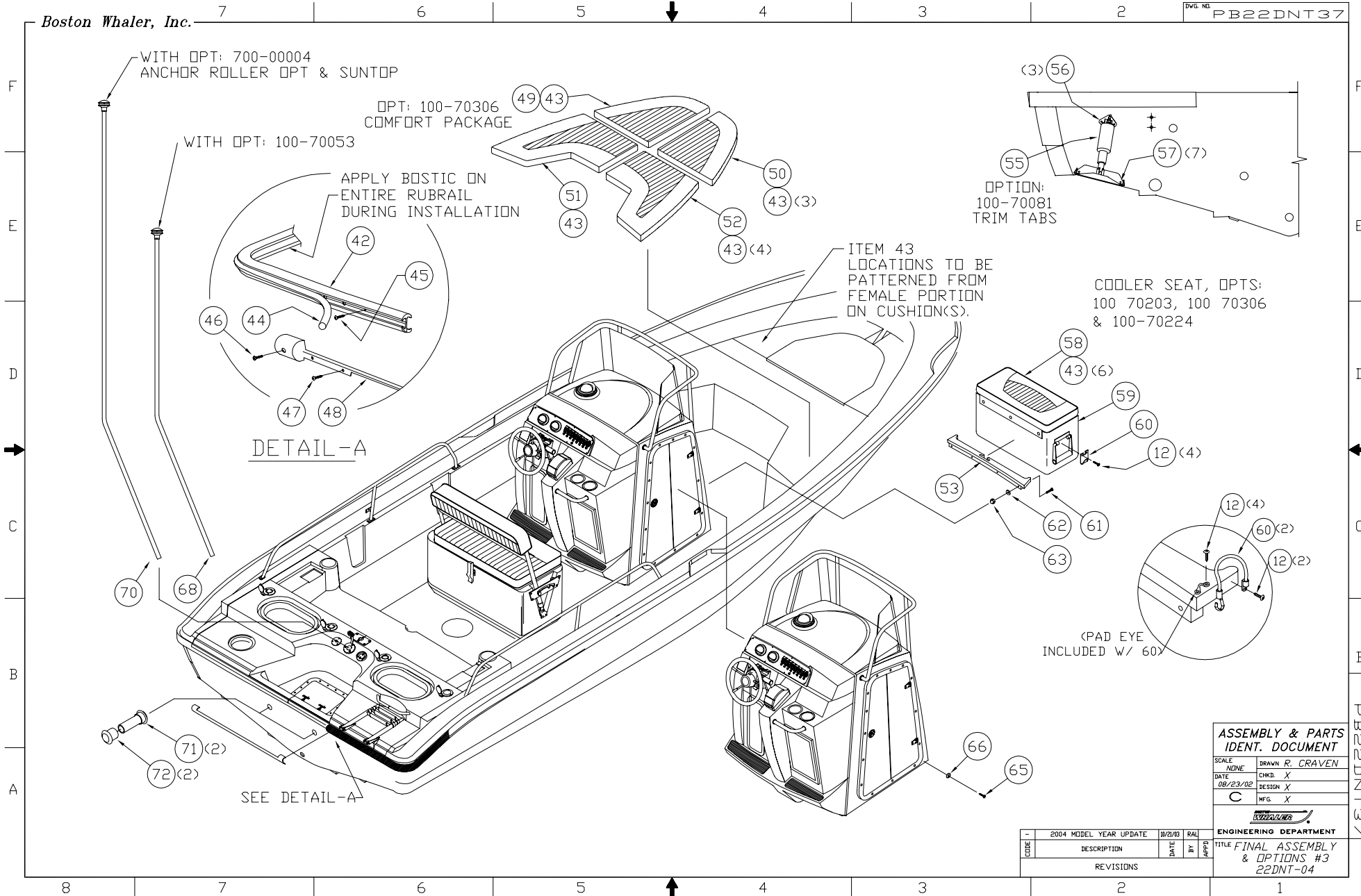
DWG. NO. PB22DNT35



ASSEMBLY & PARTS IDENT. DOCUMENT			
SCALE	NONE	DRAWN	R. CRAVEN
DATE	08/23/02	CHKD.	X
		DESIGN	X
		MFG.	X
ENGINEERING DEPARTMENT			
TITLE FINAL ASSEMBLY & OPTIONS #2 22DNT-04			

CODE	DESCRIPTION	DATE	BY	APPD
-	2004 MODEL YEAR UPDATE	8/21/03	RAL	
REVISIONS				

PB22DNT36



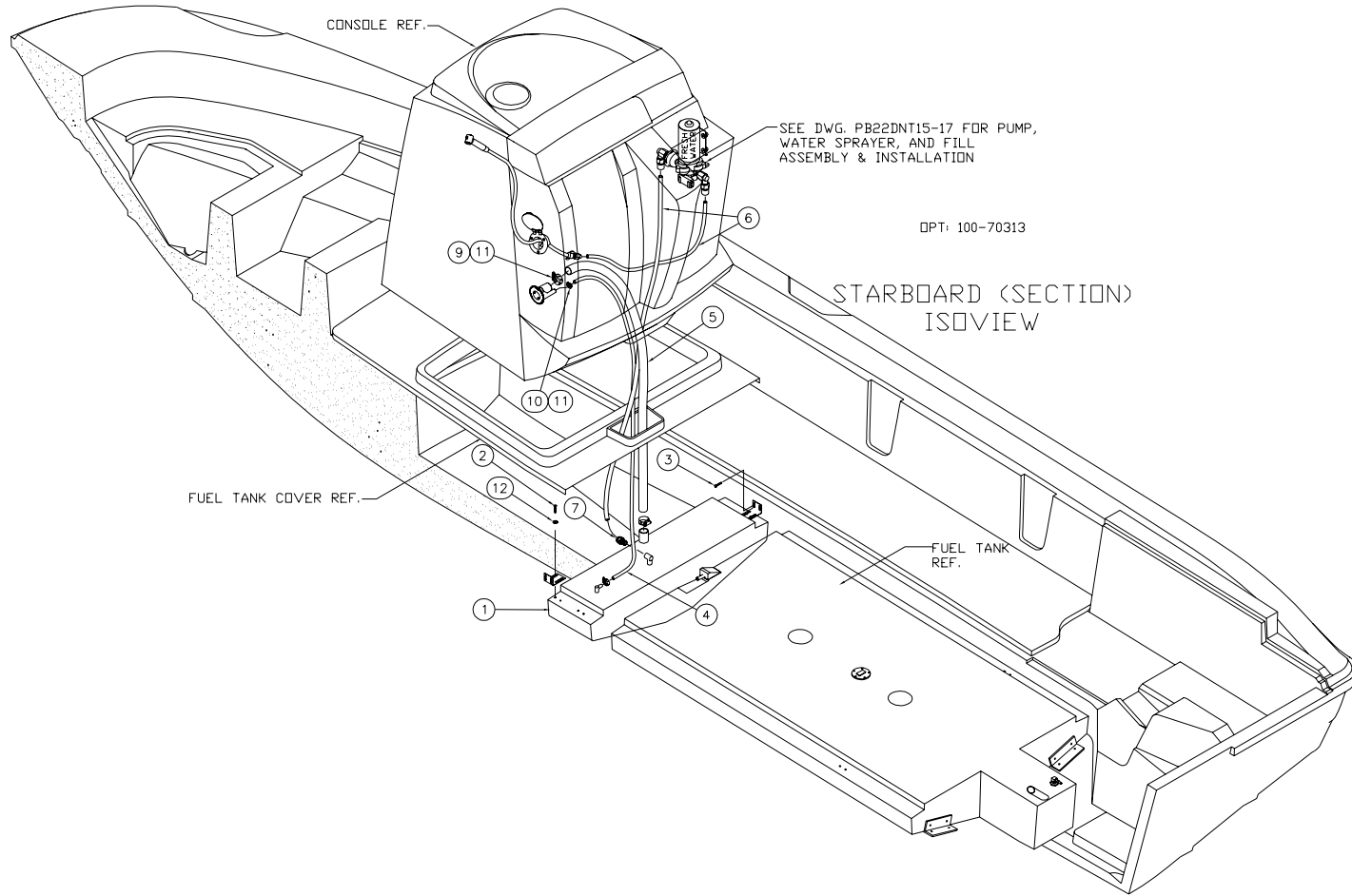
MODEL YEAR 2004 PARTS LIST

BOAT MODEL: 22DNT-04
DOCUMENT CONTROL NO: PB22DNT38

ITEM	QTY.	U/M	DESCRIPTION	B.W.I. NO.
01	1	EA	LEANING POST/COOLER ASSEMBLY	*26-27
02	1	EA	RAIL, BOW BW22DNT-03 SS	1741143
03	1	EA	RAIL, SIDE BW22DNT-03 PORT FWD	1741140
04	1	EA	RAIL, SIDE BW22DNT-03 STBD FWD	1741142
05	1	EA	RAIL, SIDE BW22DNT-03 AFT PRT	1734327
06	1	EA	RAIL, SIDE BW22DNT-03 AFT STBD	1734328
07	1	EA	CLEAT, 8" 4-BOLT SS	291658
08	4	EA	SCREW, MACHINE #1/4-20 X 1" PFH SC	1009950
09	1	EA	CANVAS, BW22DNT-04 T-TOP CVR BLK	1753160
10	1	EA	CANVAS, BW220DA-00 T-TOP CVR BLUE	1308972
11		EA		
12	14	EA	SCREW, TAPPING #8A x 5/8" PTH SC	1010925
13	1	EA	CANVAS, BW22DNT-04 BIM TOP W/BOOT BLK	1753162
14	1	EA	CANVAS, BW22DNT-04 BIM TOP W/BOOT BLUE	1753161
15	1	EA	FRAME, BW220DA-00 T-TOP BRUSHED ALUM	1309111
16	16	EA	SCREW, MACHINE #1/4-20 X 1.75" PPH SC	1008606
17	1	EA	LIGHT, SGL DOME FLUSH MT SS WHT/RED W/SWITCH	1041268
18	1	EA	FBRGLS PART, BWDR-97 ELEC. BOX T-TOP	22-J158-00
19	2	EA	SCREW, TAPPING #10A X 3/4" PDH SC	1010552
20	12	EA	SCREW, MACHINE #1/4-20 X 1.25" PPH SC	1260975
21	4	EA	SCREW, MACHINE #1/4-20 x 1.5" PPH SC	1008598
22	18	EA	WASHER, FLAT 1/4" SC	1260769
23	4	EA	BUMPER, BLACK	1039239
24	22	EA	NUT, HEX NYLON LOCK #1/4-20 SC	1007764
25	4	EA	WASHER, FENDER 1/4" X 1.25" SC	1260678
26	1	EA	DOOR, HDPE/PLEX BW-98 T-TOP BOX W/FRAME SEAFM	1073279
27	1	EA	DAVIT, ANCHOR SS W/ROLLER 11" X 2 3/8"	1336411
28	77	EA	SCREW, MACHINE #1/4-20 X 1" PPH SC	1008580
29	1	EA	LIGHT, NAV MASTHEAD COMBO VERT MT 12.75"	1122563
30	1	EA	PANEL, BWDA/VT-03 TROLLING 12/24V	1727141
31	1	EA	RECEPTACLE, 12 TROLLING MOTOR OPT	0803155
32	1	EA	PLUG, 12V/24V (TROLLING MOTOR)	1713587
33	18	EA	SCREW, MACHINE #10-24 X 1" PDH SC	1010446
34	18	EA	WASHER, FLAT #10 SC	1260751
35	18	EA	NUT, HEX NYLON LOCK #10-24 SC	1007772
36	1	EA	CAP, BW210DR-97 BOW RUB RAIL	1034925
37	2	EA	CUSH, BW130DA-97 FISHING SEAT WHT/GRY	1006675
38	8	EA	WASHER, STAR #1/4 SS	1008929
39	2	EA	SEAT, BW-97 FISHING WHT	1038876
40	2	EA	BRACKET, BW130/150DA-97 MOUNT FISHING SEAT	1043553
41	2	EA	OFFSET EXT, BW-98 FISH PED	1076975
42	1	EA	RUBRAIL, PLAS CHAR 54'	1312487
43	20	EA	SNAP STUD W/#8 X 3/8" PH BR/NI/SS	0203786
44	1	EA	INSERT, RUBRAIL CHAR FLEX 54'	1020841
45	120	EA	SCREW, TAPPING #10A X 1.5" PFH SC	1010248
46	2	EA	SCREW, TAPPING #10A X 2" PTH SC	1008754
47	6	EA	SCREW, TAPPING #10A X 1" PTH SC	1008739
48	1	EA	CAP, RUBRAIL BW180DA TRNSM TRIM	1502641
49	1	EA	CUSH, BW220DA-04 PORT BOW FWD	1755720
50	1	EA	CUSH, BW220DA-04 STBD BOW FWD	1755719
51	1	EA	CUSH, BW220DA-04 PORT BOW AFT	1755718
52	1	EA	CUSH, BW220DA-04 STBD BOW AFT	1755717
53	1	EA	HOLDER, HDPE BW220DA-04 COOLER	1755977
54		EA		
55	1	EA	TRIM TAB, ASSY 9X9 BW-03	1735766
56	6	EA	SCREW, TAPPING #14A X 1.5" PPH SC	1008697
57	28	EA	SCREW, TAPPING #14A X 1" PPH SC	1008689
58	1	EA	CUSH, BW180DA-02 COOLER 54QT	1573419
59	1	EA	COOLER, 54 QT WHT	1016419
60	2	EA	STRAP, COOLER TAMER 7" CNSL MNT	1741035
61	2	EA	SCREW, MACHINE #8-32 x 1.5" PTH SC	1010719
62	4	EA	WASHER, FLAT #8SC	1326297
63	4	EA	NUT, LOCK 8-32 SC	1009927
64	2	EA	SCREW, TAPPING #10A X 2.5" PDH SC	1008531
65	14	EA	SCREW, TAPPING #14A X 1.5" PFH SC	1008382
66	14	EA	WASHER, FINISH #12 SS	0958868
67	1	EA	LIGHT, NAV A/R STERN 62"N/BEND FOLD	1604396
68	1	EA	LIGHT, NAV A/R STERN 62"W/BEND 22DE	1740238
69	1	EA	LIGHT, NAV A/R STERN 86"N/BEND FOLD	1604404
70	1	EA	LIGHT, NAV A/R STERN 86"W/BEND 22DE	1740241
71	2	EA	THRU-HULL, PVC PRESS-FIT	1042084
72	2	EA	NUT, PVC RETAINING THRU-HULL	1042068
73				
74				
75				
76	2	EA	SCREW, MACHINE #10-24 x 1.25" PDH SC	1008424

Boston Whaler, Inc.

DWG. NO. PB22DNT10



DPT: 100-70313

STARBOARD (SECTION)
ISOVIEW

ASSEMBLY & PARTS
IDENT. DOCUMENT

SCALE	DRAWN	R. CRAVEN
NONE	CHKD.	X
DATE	08/23/02	DESIGN
C	MFG.	X



ENGINEERING DEPARTMENT

TITLE FRESH WATER
SYSTEM
22DNT-04

CODE	2004 MODEL YEAR UPDATE	DESCRIPTION	DATE	BY	APP'D
REVISIONS					

PB22DNT10

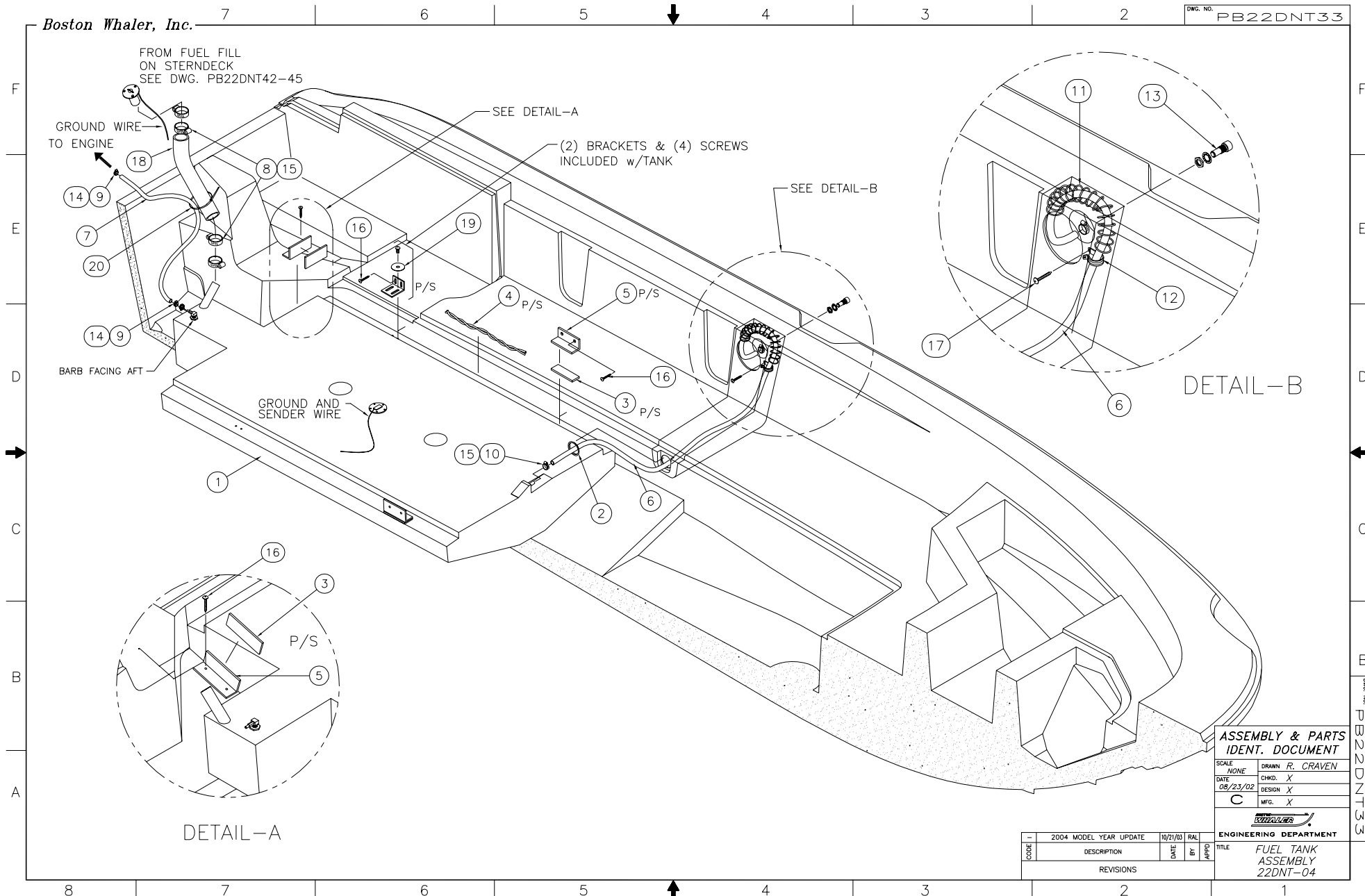
MODEL YEAR 2004 PARTS LIST

BOAT MODEL: 22DNT-04
DOCUMENT CONTROL NO: PB22DNT11

ITEM	QTY	U/M	DESCRIPTION	B.W.I. NO.
1	1	EA.	TANK, WATER BW220DA-00 - 12GAL	1332717
2	4	EA.	SCREW, MACHINE #1/4-20 X 1/2" PPH SC	1010586
3	4	EA.	SCREW, TAPPING #14A X 1" PPH SC	1008689
4	0	FT.	HOSE, SANI/CHEMICAL TDX 5/8"	0124719
5	0	FT.	HOSE, SANI/SMOOTH WALL 1.5"	0123844
6	0	FT.	TUBING, SEATECH 15MM X 11MM X 250' BLUE	1210160
7	1	EA.	ADAPTER, SEATECH STRAIGHT 1/2"MPT-15MM	1542919
8	1	EA.	COUPLING, ACETAL 1/2"MPT X 1/2"NPT	1021005
9	2	EA.	CLAMP, HOSE #24 1"-2" SS .505	0256693
10	2	EA.	CLAMP, HOSE #10 1/2"-1 1/8" SS .505	0263954
11	4	EA.	COVER, CLAMP END PROT 1/2"L X.035"X.30"RED	0830976
12	4	EA.	WASHER, STAR #1/4 SS	1008929

Boston Whaler, Inc.

DWG. NO. PB22DNT33



ASSEMBLY & PARTS IDENT. DOCUMENT			
SCALE	NONE	DRAWN	R. CRAVEN
DATE	08/23/02	CHKD.	X
		DESIGN	X
		MFG.	X
ENGINEERING DEPARTMENT			
CODE	2004 MODEL YEAR UPDATE	DATE	10/21/03
	DESCRIPTION	BY	RAL
	REVISIONS	APPD	
TITLE		FUEL TANK ASSEMBLY 22DNT-04	

DWG. NO. PB22DNT33

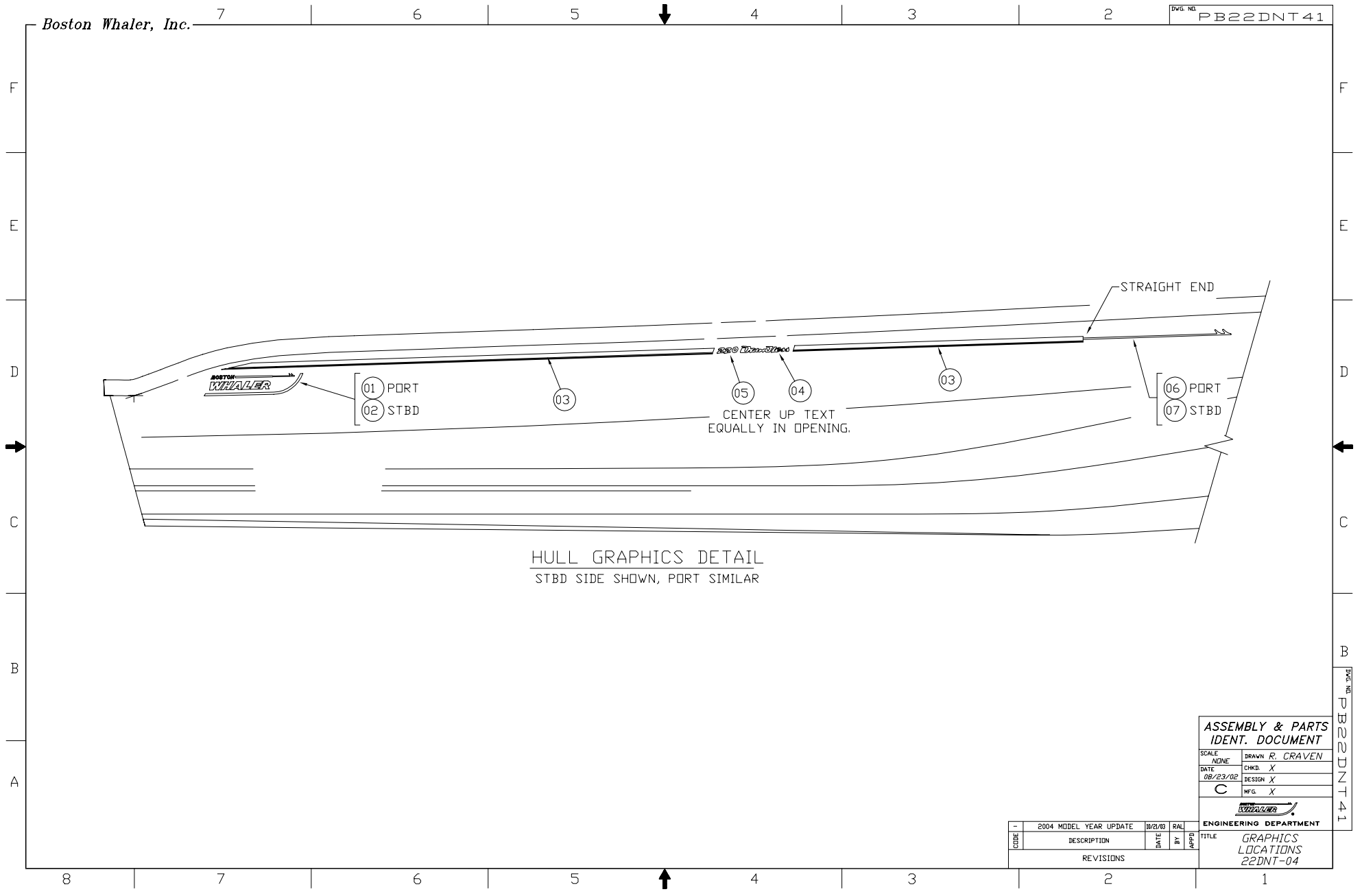
MODEL YEAR 2004 PARTS LIST

BOAT MODEL: 22DNT-04
DOCUMENT CONTROL NO: PB22DNT34

ITEM	QTY	U/M	DESCRIPTION	B.W.I.	NO.
1	1	EA.	TANK, FUEL – BW 90GAL 220DA-03 W/SS SENDER	1746454	
2	1	EA.	BUSHING, PLAS 2" KNOCK-OUT	1039569	
3	2	FT.	TAPE, FOAM NEOPRENE w/3M 9828 3/8"	1497452	
4	14	FT.	FOAM, BACKER ROD 7/8" DIA	1041698	
5	4	EA.	BRACKET, PVC 2"x2"x1/4"x6" BW-01	1547280	
6	0	FT.	HOSE, FUEL 5/8" ISO/CE	0947499	
7	0	FT.	HOSE, FUEL 3/8" ISO/CE w/PLAS LINER	1497486	
8	4	EA.	CLAMP, HOSE #24 1"-2" SS	0256693	
9	3	EA.	CLAMP, HOSE #06M 5/16"-7/8" SS MINI	0123398	
10	2	EA.	CLAMP, HOSE #10 1/2-1-1/8" .50	0263954	
11	1	EA.	SPRING, VENT 1.05" x 12" SS	1041367	
12	1	EA.	CLIP, SUPPORT 1 3/8" DIA	1040336	
13	1	EA.	VENT, FUEL/WATER SS 3/4" FLUSH STRAIGHT	1754881	
14	3	EA.	COVER, CLAMP END PROTECTOR 1/2" x .020"	1116870	
15	4	EA.	COVER, CLAMP END PROT 1/2"L X.035"X.30"RED	0830976	
16	12	EA.	SCREW, TAPPING #14A x 1.5" PTH SC	1010909	
17	1	EA.	SCREW, TAPPING #8 x 5/8" PTH SC	1010925	
18	0	FT.	HOSE, FUEL 1.5" TYPE A CLASS 2	0123745	
19	4	EA.	WASHER, FENDER #10 X 1" SC	1260454	
20	1	EA.	TIE, CABLE 11" MED NYLON BLK	0157321	

Boston Whaler, Inc.

DWG. NO. PB22DNT41



HULL GRAPHICS DETAIL
STBD SIDE SHOWN, PORT SIMILAR

ASSEMBLY & PARTS IDENT. DOCUMENT

SCALE	NONE	DRAWN	R. CRAVEN
DATE	08/23/02	CHKD.	X
		DESIGN	X
		MFG.	X



ENGINEERING DEPARTMENT
TITLE GRAPHICS LOCATIONS 22DNT-04

CODE	DESCRIPTION	DATE	BY	APP'D
-	2004 MODEL YEAR UPDATE	8/21/03	RAL	
REVISIONS				

DWG. NO. PB22DNT41

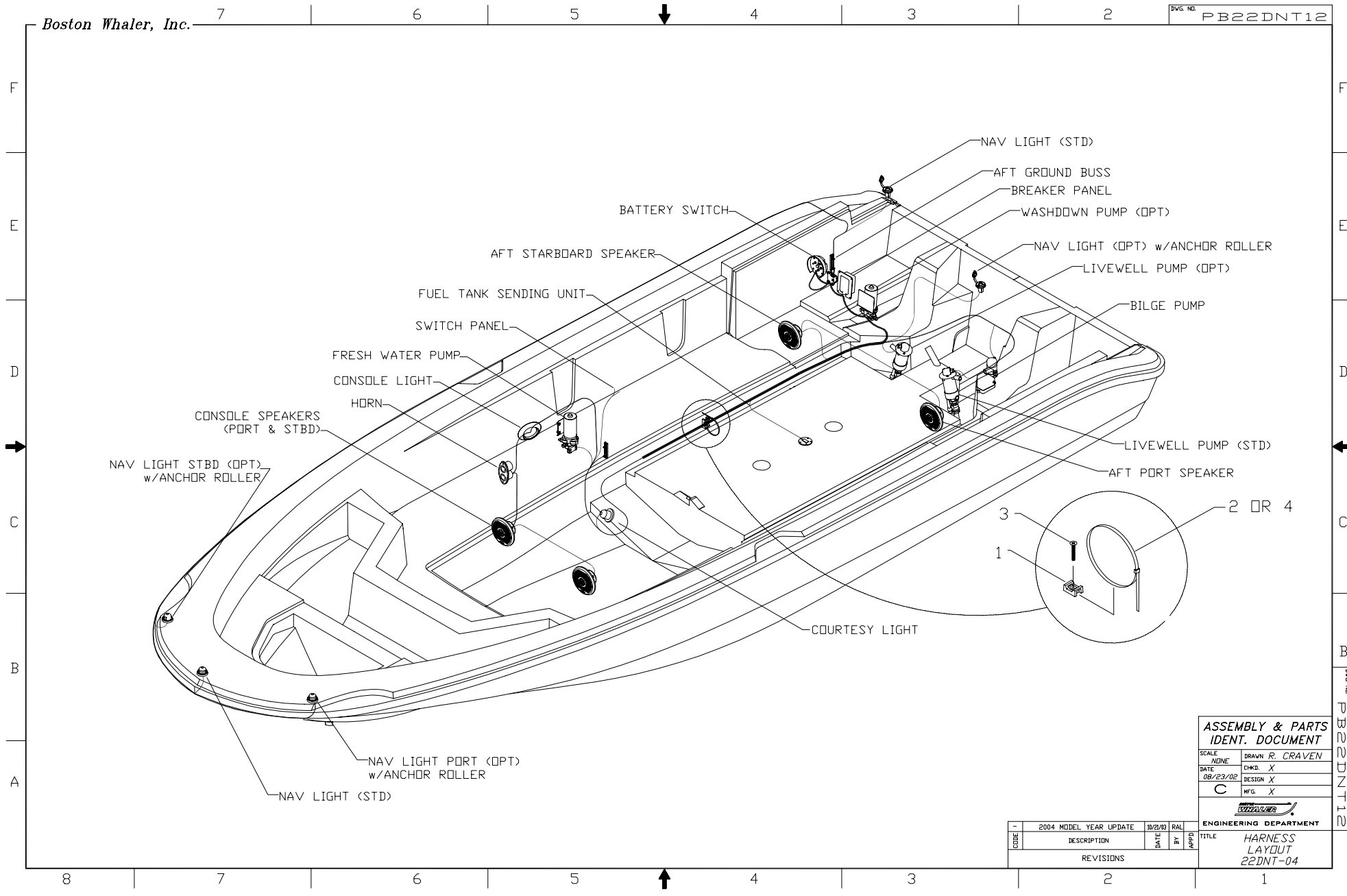
MODEL YEAR 2004 PARTS LIST

BOAT MODEL: 22DNT-04
DOCUMENT CONTROL NO: PB22DNT42

ITEM	QTY.		U/M	DESCRIPTION	BWI NO.
	STD.	OPT.			
01	1		EA.	DECAL, BW-04 LOGO 20" RED PRT (DRIP MOLD)	1752937
		1	EA.	DECAL, BW-04 LOGO 20" DK BLUE PRT (DRIP MOLD)	1752939
02	1		EA.	DECAL, BW-04 LOGO 20" RED STB (DRIP MOLD)	1752938
		1	EA.	DECAL, BW-04 LOGO 20" DK BLUE STB (DRIP MOLD)	1752940
03	30		FT.	TAPE, SOLID 1" FIRE RED W/PIN STRP	1038009
		30	FT.	TAPE, SOLID 1" CORBIN DK BLUE W/PIN STRP	1037985
04	2		EA.	DECAL, BW DAUNTLESS DK GRAY HIBOSSCAL	1030683
05	2		EA.	DECAL, BW-04 22DNT GRY (DRIP MOLD)	1753485
		2	EA.	DECAL, BW-02 220 FIRE RED HIBOSSCAL	1620889
		—	EA.	DECAL, BW-02 220 CORBIN DK BLUE HIBOSSCAL	1620897
06	1		EA.	DECAL, BW-04 HARPOON PRT WHLR RED	1752931
		1		DECAL, BW-04 HARPOON PRT DK BLUE	1752933
07	1		EA.	DECAL, BW-04 HARPOON STB WHLR RED	1752932
		1		DECAL, BW-04 HARPOON STB DK BLUE	1752936

Boston Whaler, Inc.

DWG. NO. PB22DNT12



- NAV LIGHT (STD)
- AFT GROUND BUSS
- BREAKER PANEL
- WASHDOWN PUMP (OPT)
- NAV LIGHT (OPT) w/ANCHOR ROLLER
- LIVELWELL PUMP (OPT)
- BILGE PUMP
- BATTERY SWITCH
- AFT STARBOARD SPEAKER
- FUEL TANK SENDING UNIT
- SWITCH PANEL
- FRESH WATER PUMP
- CONSOLE LIGHT
- HORN
- CONSOLE SPEAKERS (PORT & STBD)
- NAV LIGHT STBD (OPT) w/ANCHOR ROLLER
- LIVELWELL PUMP (STD)
- AFT PORT SPEAKER
- COURTESY LIGHT
- NAV LIGHT PORT (OPT) w/ANCHOR ROLLER
- NAV LIGHT (STD)

CODE	DESCRIPTION	DATE	BY	APP'D
	2004 MODEL YEAR UPDATE	10/21/03	RAL	
REVISIONS				

ASSEMBLY & PARTS IDENT. DOCUMENT

SCALE	NONE	DRAWN	R. CRAVEN
DATE	08/23/02	CHKD.	X
		DESIGN	X
		MFG.	X

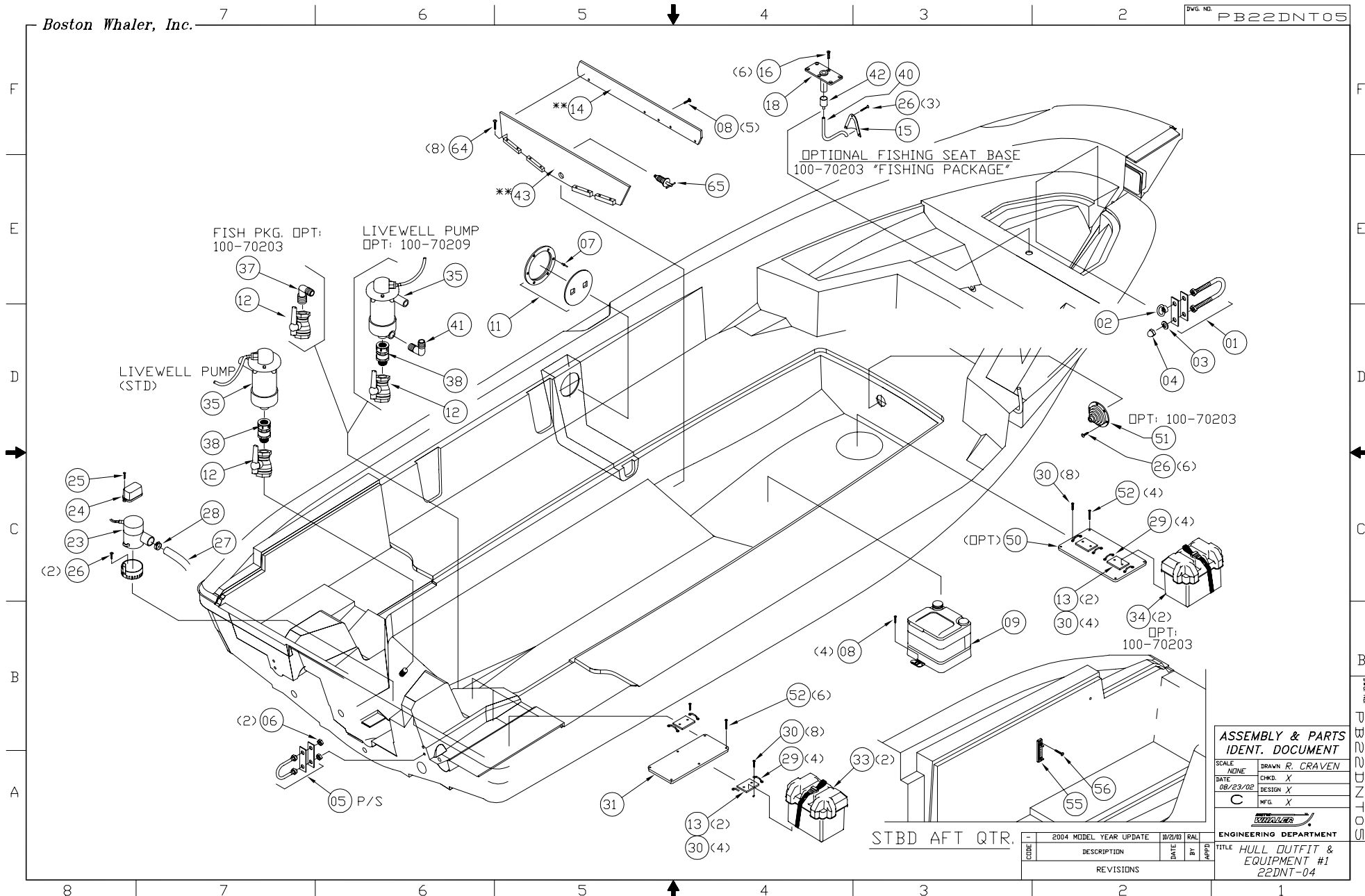
ENGINEERING DEPARTMENT

TITLE: HARNESS LAYOUT 22DNT-04

PARTS 12

Boston Whaler, Inc.

DWG. NO. PB22DNT05



FISH PKG. OPT:
100-70203

LIVEWELL PUMP
OPT: 100-70209

LIVEWELL PUMP
(STD)

OPTIONAL FISHING SEAT BASE
100-70203 "FISHING PACKAGE"

STBD AFT QTR.

**ASSEMBLY & PARTS
IDENT. DOCUMENT**

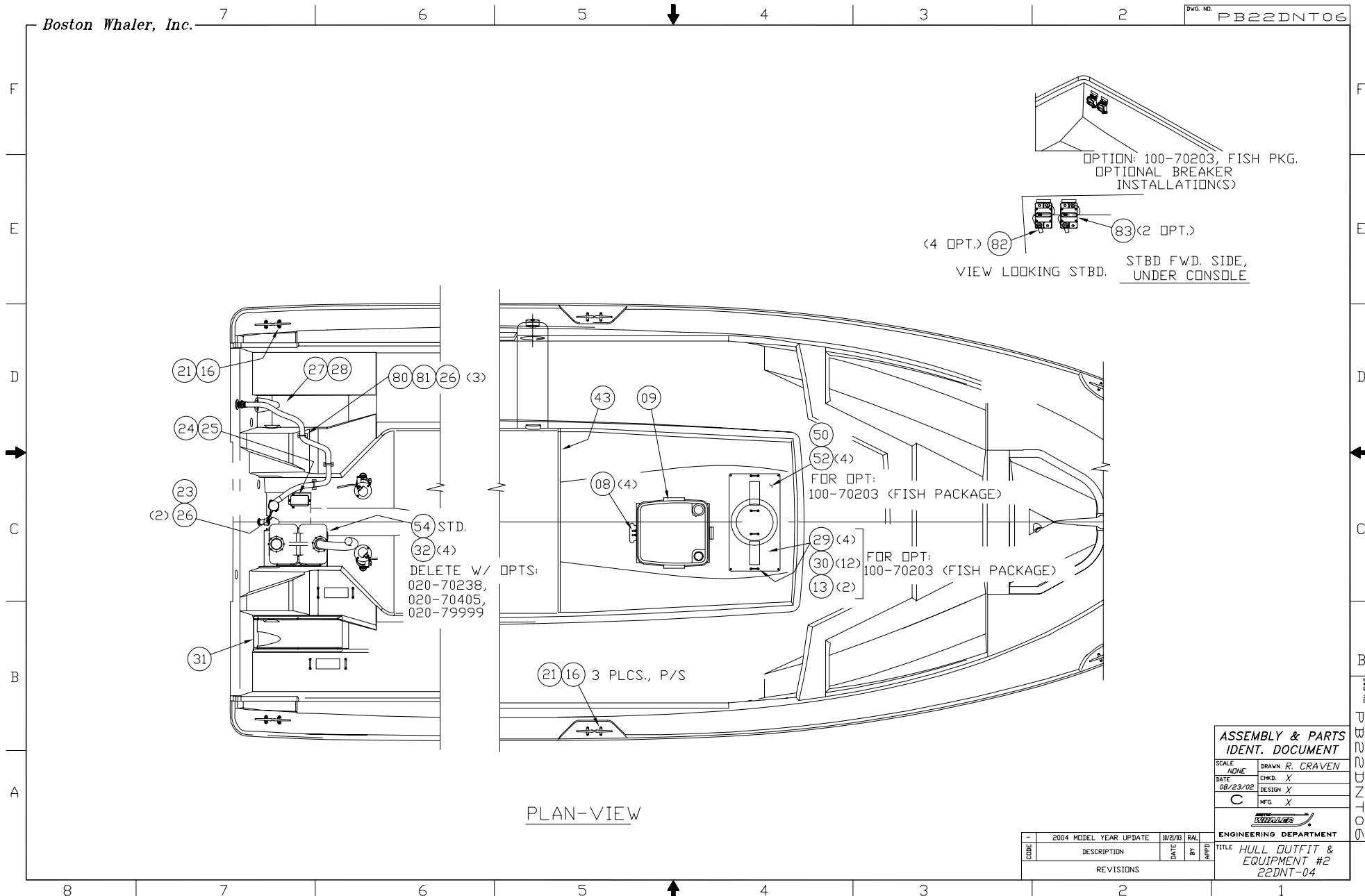
SCALE:	NONE	DRAWN:	R. CRAVEN
DATE:	08/23/02	CHKD.:	X
		DESIGN:	X
		MFG.:	X

ENGINEERING DEPARTMENT

TITLE HULL OUTFIT &
EQUIPMENT #1
22DNT-04

CODE	2004 MODEL YEAR UPDATE	DATE	BY	APP'D
REVISIONS				

PARTS LIST



OPTION: 100-70203, FISH PKG.
OPTIONAL BREAKER
INSTALLATION(S)

(4 OPT.) (82) (83) (2 OPT.)
VIEW LOOKING STBD. STBD FWD. SIDE,
UNDER CONSOLE

54 STD.
32 (4)
DELETE W/ OPTS:
020-70238,
020-70405,
020-79999

50
52 (4)
FOR OPT:
100-70203 (FISH PACKAGE)

29 (4)
30 (12)
13 (2)
FOR OPT:
100-70203 (FISH PACKAGE)

21 16 3 PLCS., P/S

PLAN-VIEW

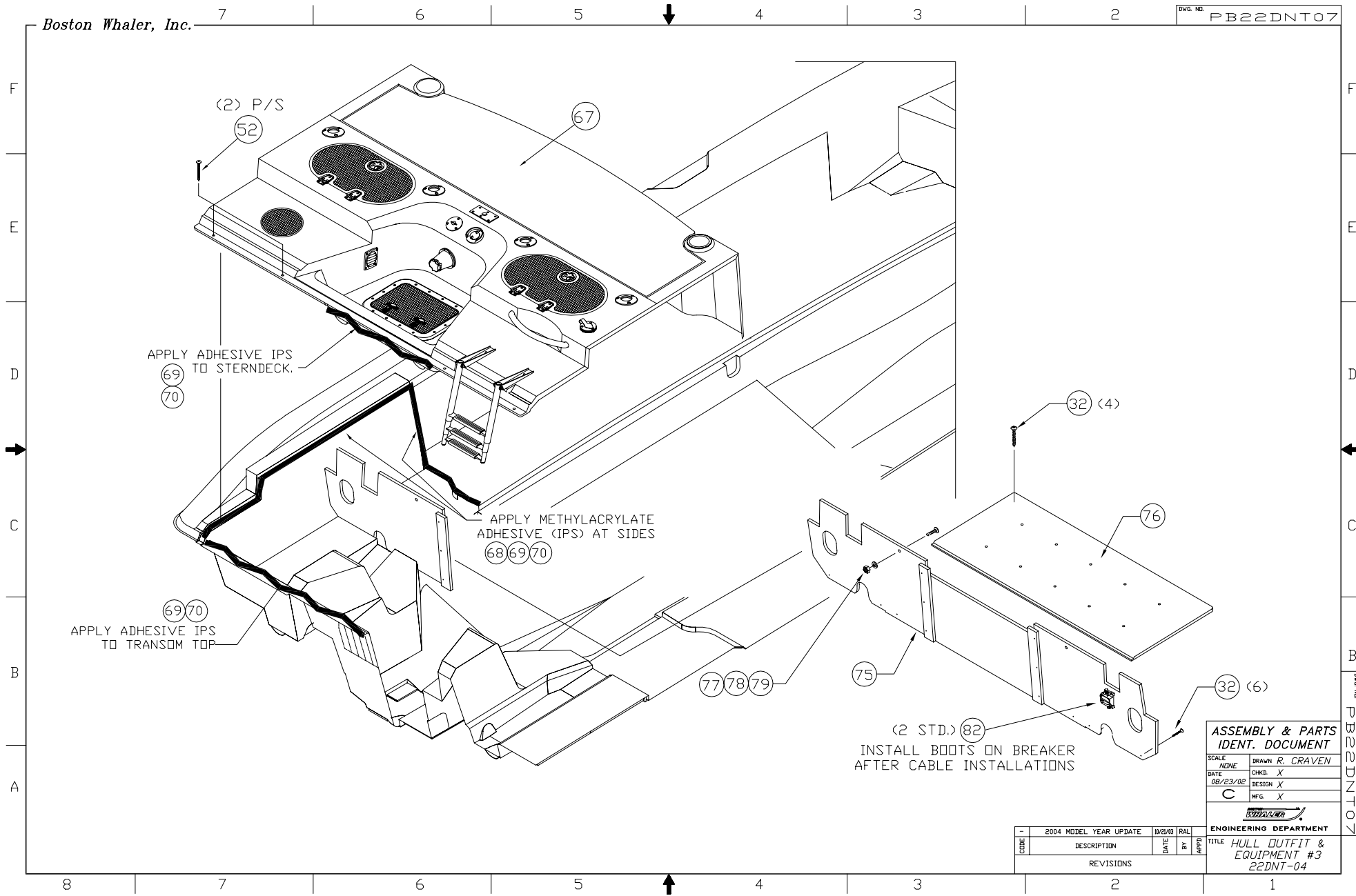
ASSEMBLY & PARTS IDENT. DOCUMENT	
SCALE	DRAWN R. CRAVEN
DATE	08/23/02
DESIGN	X
MFG	X
ENGINEERING DEPARTMENT	
TITLE HULL OUTFIT & EQUIPMENT #2	
22DNT-04	

CODE	2004 MODEL YEAR UPDATE	DESCRIPTION	DATE	BY	APPD
-					
REVISIONS					

PARTS TOOL

Boston Whaler, Inc.

DWG. NO. PB22DNT07



APPLY ADHESIVE IPS TO STERNECK.
 (69) (70)

APPLY METHYLACRYLATE ADHESIVE (IPS) AT SIDES
 (68) (69) (70)

APPLY ADHESIVE IPS TO TRANSOM TOP
 (69) (70)

(2 STD.) (82)
 INSTALL BOOTS ON BREAKER AFTER CABLE INSTALLATIONS

ASSEMBLY & PARTS IDENT. DOCUMENT

SCALE	DRAWN	R. CRAVEN
DATE	CHKD.	X
08/23/02	DESIGN	X
C	MFG.	X

ENGINEERING DEPARTMENT

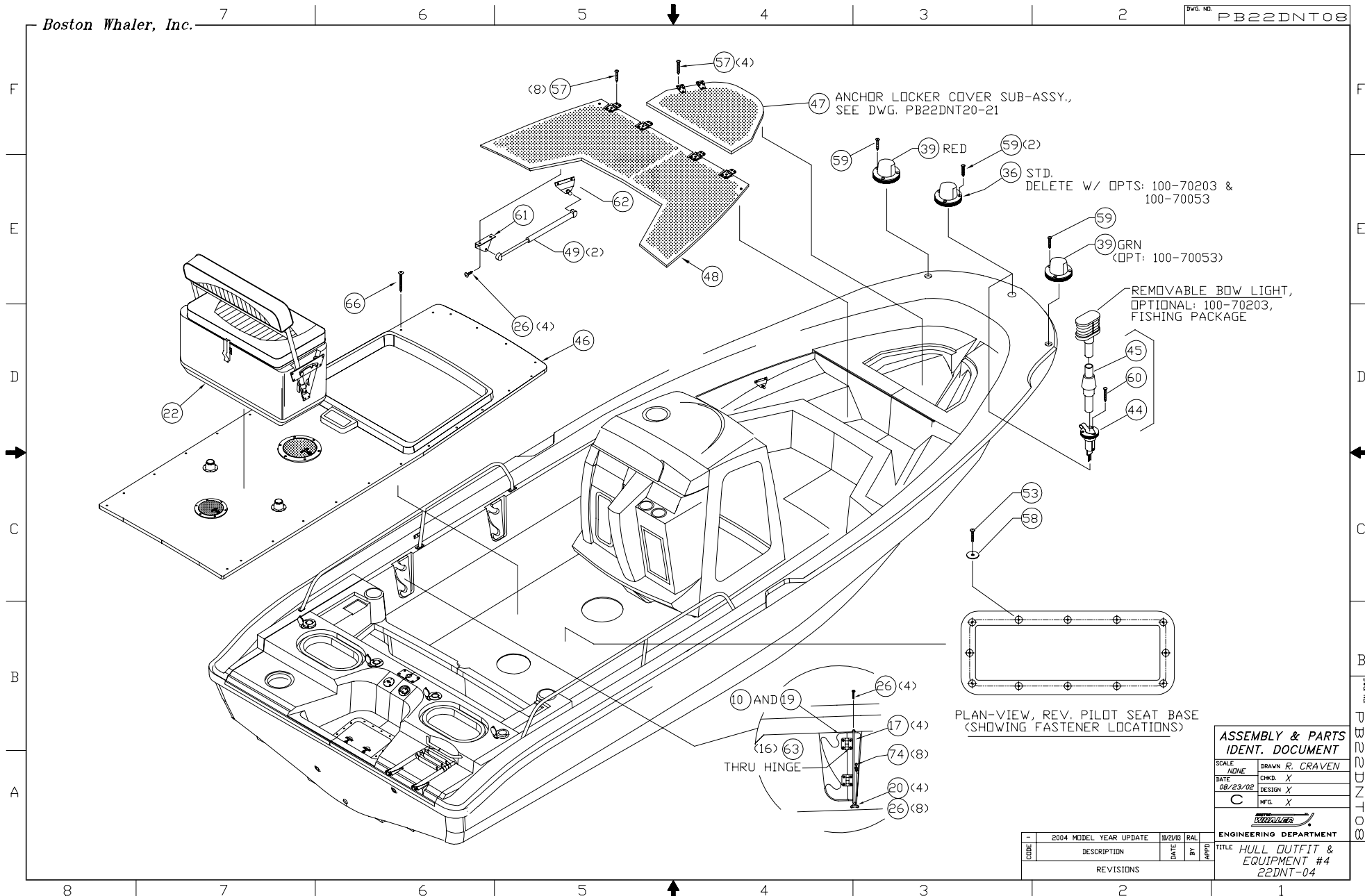
CODE	DESCRIPTION	DATE	BY	APPD
-	2004 MODEL YEAR UPDATE	10/26/03	RAL	
REVISIONS				

TITLE HULL OUTFIT & EQUIPMENT #3
 22DNT-04

DRAWING PB22DNT07

Boston Whaler, Inc.

DWG. NO. PB22DNT08



REMOVABLE BOW LIGHT, OPTIONAL: 100-70203, FISHING PACKAGE

PLAN-VIEW, REV. PILOT SEAT BASE (SHOWING FASTENER LOCATIONS)

ASSEMBLY & PARTS IDENT. DOCUMENT

SCALE	NONE	DRAWN	R. CRAVEN
DATE	08/23/02	CHKD.	X
		DESIGN	X
		MFG.	X

ENGINEERING DEPARTMENT

CODE	DESCRIPTION	DATE	BY	APPD
-	2004 MODEL YEAR UPDATE	8/28/03	RAL	
REVISIONS				

TITLE HULL OUTFIT & EQUIPMENT #4 22DNT-04

PARTS LIST

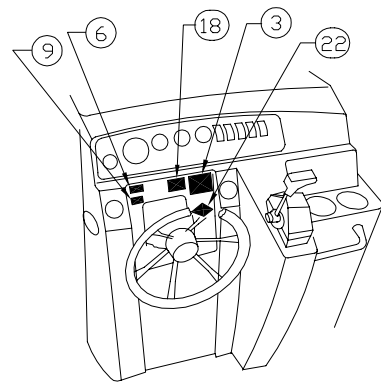
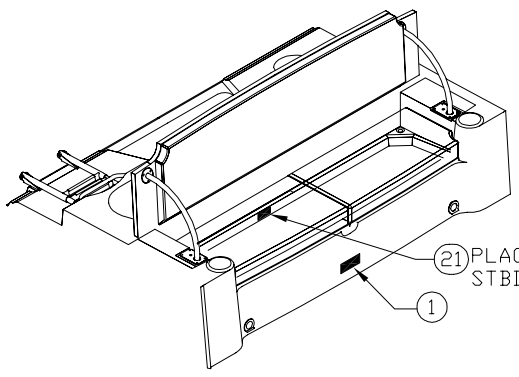
MODEL YEAR 2004 PARTS LIST

BOAT MODEL: 22DNT-04
DOCUMENT CONTROL NO: PB22DNT09

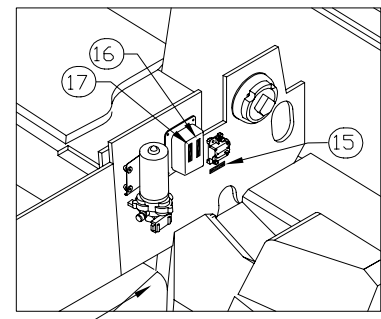
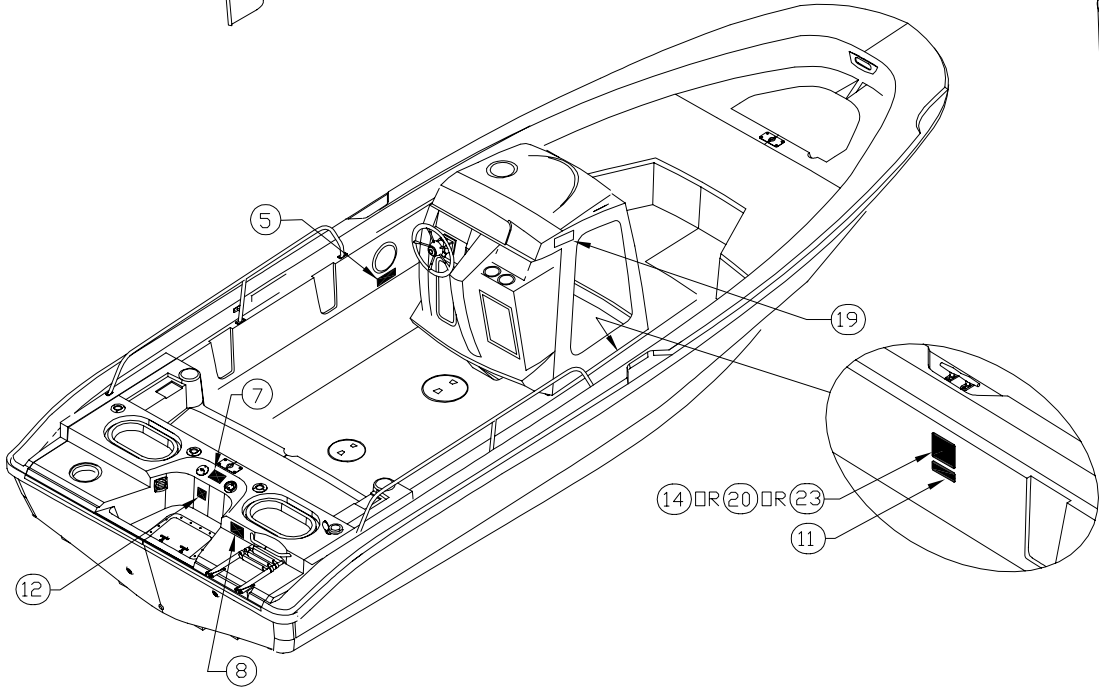
ITEM	QTY.		U/M	DESCRIPTION	B.W.I. NO.
	STD.	DPT.			
01	1	-	EA.	EYE, BOW 1/2" x 6" SS	995472
02	1	-	EA.	LIFT RING, BW-03 BOW EYE NUT 1/2" SS	1750950
03	1	-	EA.	WASHER, LOCK/SPLIT 1/2" SC	1326214
04	1	-	EA.	NUT, ACDRN 1/2-13 SC	1662402
05	2	-	EA.	EYE, BOW 1/2"x 3-7/16" SS	0126557
06	4	-	EA.	NUT, HEX NYLON LOCK #1/2-13 SC	1260744
07	6	-	EA.	RIVET, PDP/BLIND 3/16 x 5/8" ALUM.	0189415
08	4	-	EA.	SCREW, TAPPING #10A x 1" PTH SC	1008739
09	1	-	EA.	HEAD, PORTABLE SANI POTTI SLVR PLAT	0130708
10	2	-	EA.	HOLDER, HDPE BWDA/VT-01 ROD/SKI UNDER GUNL ST	1453596
11	1	-	EA.	ACCESS PLATE, POLYPROP TWIST OUT 5"	1016153
12	1	1	EA.	VALVE, MARELON BALL 2-WAY 3/4"	0557959
13	2	2	EA.	CLEAT, HDPE BW-02 BATTERY BOX WHT	1618602
14	1	-	EA.	PANEL, HDPE 22DA-02 CLSDUT FUEL TANK	1685881
15	-	1	EA.	VENT, CLAMSHELL ROPE LCKR 1 5/8" x 1 5/8"	0126870
16	24	6	EA.	SCREW, MACHINE 1/4-20 x 1" PFH SC	1009950
17	4	-	EA.	STRAP, ROD-TAMER 18" DECK MNT	1087907
18	-	1	EA.	BASE, BW-97 FISH PED 3"X 6" THREADED SS	1076967
19	2	-	EA.	HOLDER, HDPE BWDA/VT-01 ROD/SKI UNDER GUNL PT	1453588
20	4	-	EA.	HOOK, FENDER SS	1043033
21	6	-	EA.	CLEAT, 8" 4-BOLT SS	0291658
22	1	-	EA.	REVERSIBLE PILOT SEAT SUB-ASSY. PB22DNT*	*18-19
23	1	-	EA.	PUMP, BILGE 1100GPH	1480094
24	1	-	EA.	SWITCH, FLOAT RULE W/CVR	0989335
25	2	-	EA.	SCREW, TAPPING #8A X 3/4" PDH SC	1213057
26	21	9	EA.	SCREW, TAPPING #8A x 5/8" PTH SC	1010925
27	0	0	FT.	HOSE, WATER 1-1/8" BLK	1042076
28	2	-	EA.	CLAMP, HOSE #16 3/4"-1.5" SS	0256685
29	4	4	EA.	BRACKET, BW-97 BATT HOLDDOWN 1.25"CHR/PLT	1042837
30	12	12	EA.	SCREW, TAPPING #8A x 5/8" PDH SC	1213354
31	1	-	EA.	SHELF, P/B BW22DNT-03 BATT	1733866
32	27	-	EA.	SCREW, TAPPING #10A x 1.5" PTH SC	1008747
33	2	-	EA.	HOLDER, BATTERY GR24 FULLY ENCL	650598
34	-	2	EA.	HOLDER, BATTERY GR-27 POWER GUARD	0995068
35	1	1	EA.	PUMP, LIVEWELL 12V BAIT SENTRY 500G	1688691
36	1	-	EA.	LIGHT, NAV COMBO BOW CHR 2 3/8"X 7/8"	0860734
37	-	1	EA.	ELBOW, MARELON 3/4"MPT X 3/4"BARB X 90DEG	567958
38	1	1	EA.	ADAPTER, NYLON 3/4"MPT X 3/4"FTP BLK	1756192
39	-	1	PR	LIGHT, NAV SURF HORIZ MT CHR	996496
40	-	0	FT.	TUBING, VINYL SPEEDO BLK	1043017
41	-	1	EA.	ELBOW, NYLON 1/2"MPT X 3/4"BARB X 90D	1324573
42	-	1	EA.	CAP, DRAINBOOT STERN LIGHT MAST BLK	1042761
43	1	-	EA.	BULKHD, HDPE BW22DNT-03 FUEL TANK SEAFM	1736199
44	-	1	EA.	LIGHT, NAV STERN BASE COMBO REMOVABLE	1119627
45	-	1	EA.	LIGHT, NAV COMBO BOW REMOV'BL 2.25"X 10"	1072800
46	1	-	EA.	FUEL TANK COVER SUB-ASSY. PB22DNT*	*20-21
47	1	-	EA.	ANCHOR LOCKER COVER SUB-ASSY. PB22DNT*	*20-21
48	1	-	EA.	FWD. STORAGE COVER SUB-ASSY. PB22DNT*	*20-21
49	2	-	EA.	CYLINDER, GAS SS 30PSI 20"EXT X 12"COMP	1384957
50	-	1	EA.	SHELF, HDPE BW220DA-00 BATT SEAFM	1348382
51	-	1	EA.	GROMMET, O/B HARNESS 3" BLACK	0580720
52	10	4	EA.	SCREW, TAPPING #10A x 1.5" PPH SC	1010248
53	12	-	EA.	SCREW, MACHINE #1/4-20 x 1.25" PPH SC	1260975
54	1	-	EA.	TANK, OIL VRD W/HDWR W/SEND O/B 3 G DIG	1477926
55	1	-	EA.	BUSS BAR, MINIBUS BAR DC	1324334
56	2	-	EA.	SCREW, TAPPING #8A X 3/4" PPH SC	1010651
57	12	-	EA.	SCREW, TAPPING #10A x 1" PDH SC	1008507
58	12	-	EA.	WASHER, FENDER 1/4" x 1.25" SC	1260678
59	2	4	EA.	SCREW, TAPPING # 4A x 1" PFH SC	1010321
60	-	3	EA.	SCREW, TAPPING #6A x 1.25" PDH	1008556
61	2	-	EA.	BRACKET, SS LIFT CYL 90DEG 0.70" W/STUD RT	0817676
62	2	-	EA.	BRACKET, LIFT CYL SS OFFSET W/STUD 2-HOLE	0995084
63	16	-	EA.	SCREW, TAPPING #10A X 1.5" PPH SC	1010610
64	-	-	EA.		
65	1	-	EA.	PLUG, BRASS 1" DRAIN TURN-TITE	133371
66	28	-	EA.	SCREW, TAPPING #10A X 2" PTH SC	1008754
67	1	-	EA.	STERN DECK SUB-ASSY. PB22DNT*	*42-45
68	1	-	EA.	ADHESIVE, AUTO MIX NOZZLE 16.5"	1128610
69	1.5	-	GL	ADHESIVE, WELD-ON SS 218HV COMP A	1555564
70	.15	-	GL	ADHESIVE, WELD-ON SS 214HV COMP B 5GAL	1585314
71	-	-			
72	-	-			
73	-	-			
74	8	-	EA.	SCREW, TAPPING #8A x 1/2" PDH SC	1010578
75	1	-	EA.	BULKHEAD SUB-ASSY., STERNDECK	09-404
76	1	-	EA.	FLOOR, HDPE BW22DNT-03 STERNDECK	1733863
77	2	-	EA.	SCREW, MACHINE #10-24 X 1.25" PTH SC	1737221
78	2	-	EA.	NUT, HEX #10-24 SC	1259506
79	2	-	EA.	WASHER, FENDER #10 X 1" SC	1260454
80	3	-	EA.	TIE, CLIP BLK	1031764
81	3	-	EA.	TIE, CABLE 11" MED NYLON BLK	0157321
82	2	4	EA.	BOOT, PVC TREMINAL INSULATOR CAP RE	1689904
83	-	2	EA.	BRKR, SURF MNT THERMAL 40AMP SWITCHABLE	1475433

Boston Whaler, Inc.

DWG. NO. PB22DNT39



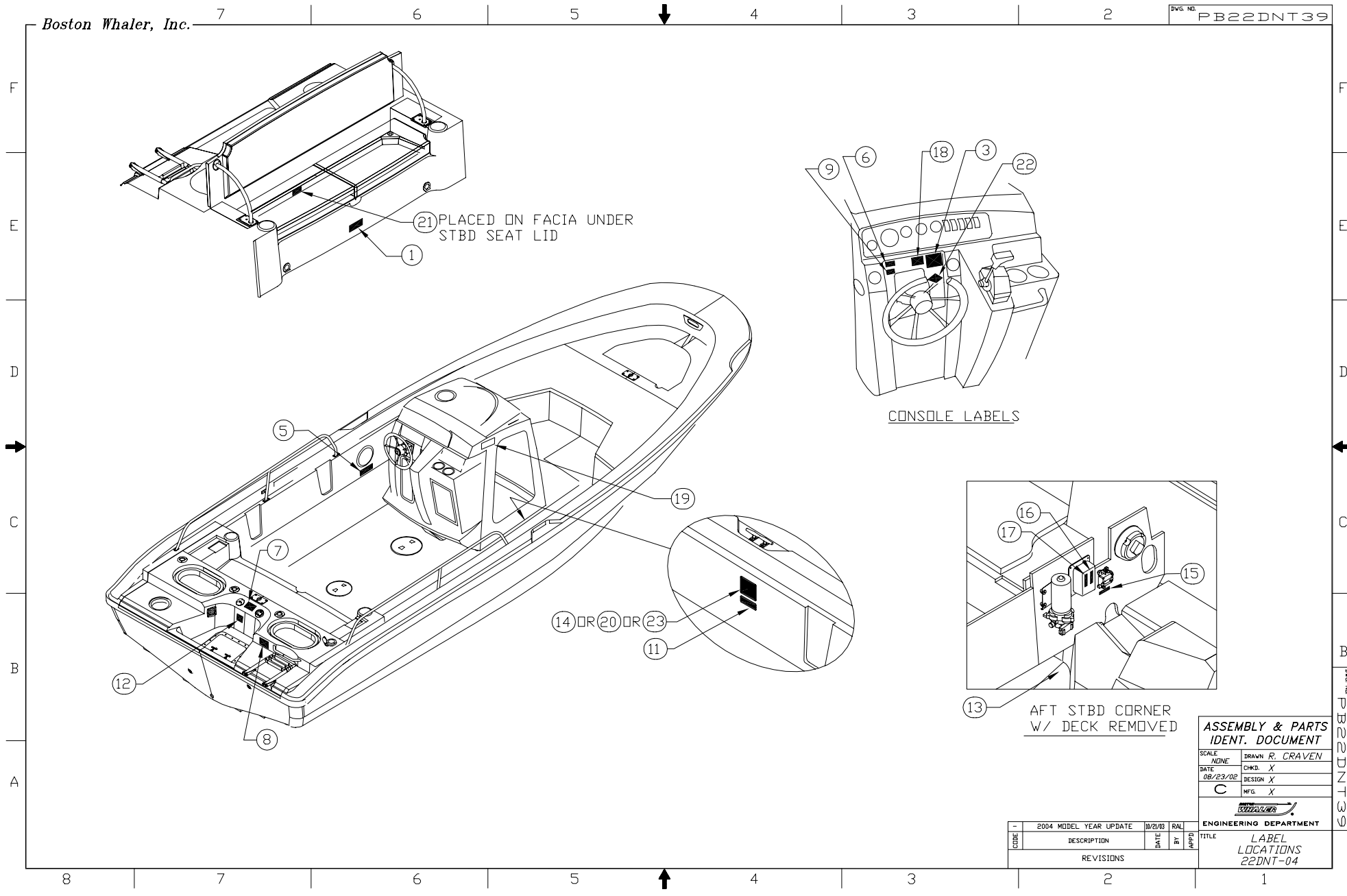
CONSOLE LABELS



AFT STBD CORNER
W/ DECK REMOVED

ASSEMBLY & PARTS IDENT. DOCUMENT	
SCALE	DRAWN R. CRAVEN
DATE	CHKD. X
08/23/02	DESIGN X
C	MFG. X
ENGINEERING DEPARTMENT	
TITLE	LABEL LOCATIONS
	22DNT-04

CODE	DESCRIPTION	DATE	BY	APPD
-	2004 MODEL YEAR UPDATE	01/21/03	RAL	
REVISIONS				



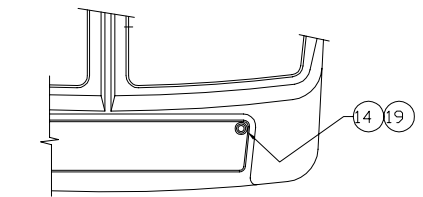
DRAWING NO. PB22DNT39

MODEL YEAR 2004 PARTS LIST

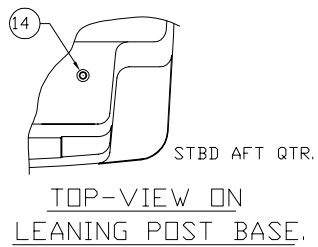
BOAT MODEL: 22DNT-04

DOCUMENT CONTROL NO: PB22DNT40

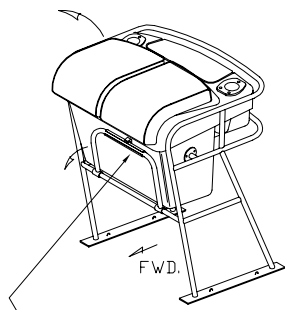
				DESCRIPTION	
ITEM	QTY.	U/M	S/O		B.W.I. NO.
1	1	EA	STD	LABEL, BW FUEL TANK- NO DRILL	1016443
2	1	EA	STD	LABEL, BW NO SMOKING - FUEL VENT	1016484
3	1	EA	STD	LABEL, BW SAFETY HI PERF- BOAT	1017136
4	1	EA	STD	LABEL, BW STEERING PULL WARNING	1016518
5	1	EA	STD	LABEL, BW VENT HOSE NO DRILL	1016898
6	1	EA	STD	LABEL, BW WARNING FUEL GAUGE READ	1016534
7	1	EA	OPT	LABEL, BW SKI PYLON	1590140
8	1	EA	STD	LABEL, BW WARNING SWIM PLTFORM	1016948
9	1	EA	OPT	LABEL, CAUTION REMOVE SKI PYLON	1752493
10	1	EA	STD	LABEL, BW WINDSHIELD CARE	1016955
11	1	EA	STD	PLATE, BW-03 MAX ENG WT 610LB/276KG	1735930
12	1	EA	STD	WARNING FUEL HAZARD	995704
13	2	EA	STD	TAG, BW DO NOT PULL RIGGING	999755
14	1	EA	STD	PLATE, NMMA 00-BW 220DA	1619832
15	1	EA	STD	LABEL, BW DC 02 MAIN BREAKER	1075282
16	1	EA	OPT	LABEL, STEREO	1075266
17	1	EA	OPT	LABEL, BILGE (LEXAN)	1745123
18	1	EA	OPT	LABEL, WARNING LTD VISION FROM HELM STN	1752856
19	1	EA	STD	LABEL, DOOR SECURED CLOSED WHILE UNDERWAY	1754632
20	1	EA	OPT	PLATE, BUILDERS CE 02-BW220DA	1619840
21	1	EA	STD	LABEL, WARNING DO NOT STORE FUEL	1691003
22	1	EA	STD	DECAL, MERC SMARTCRAFT NETWORKED	1743323
23	1	EA	STD	PLATE, SAFETY CANADIAN CONFORMITY BW22DNT-03	1746017



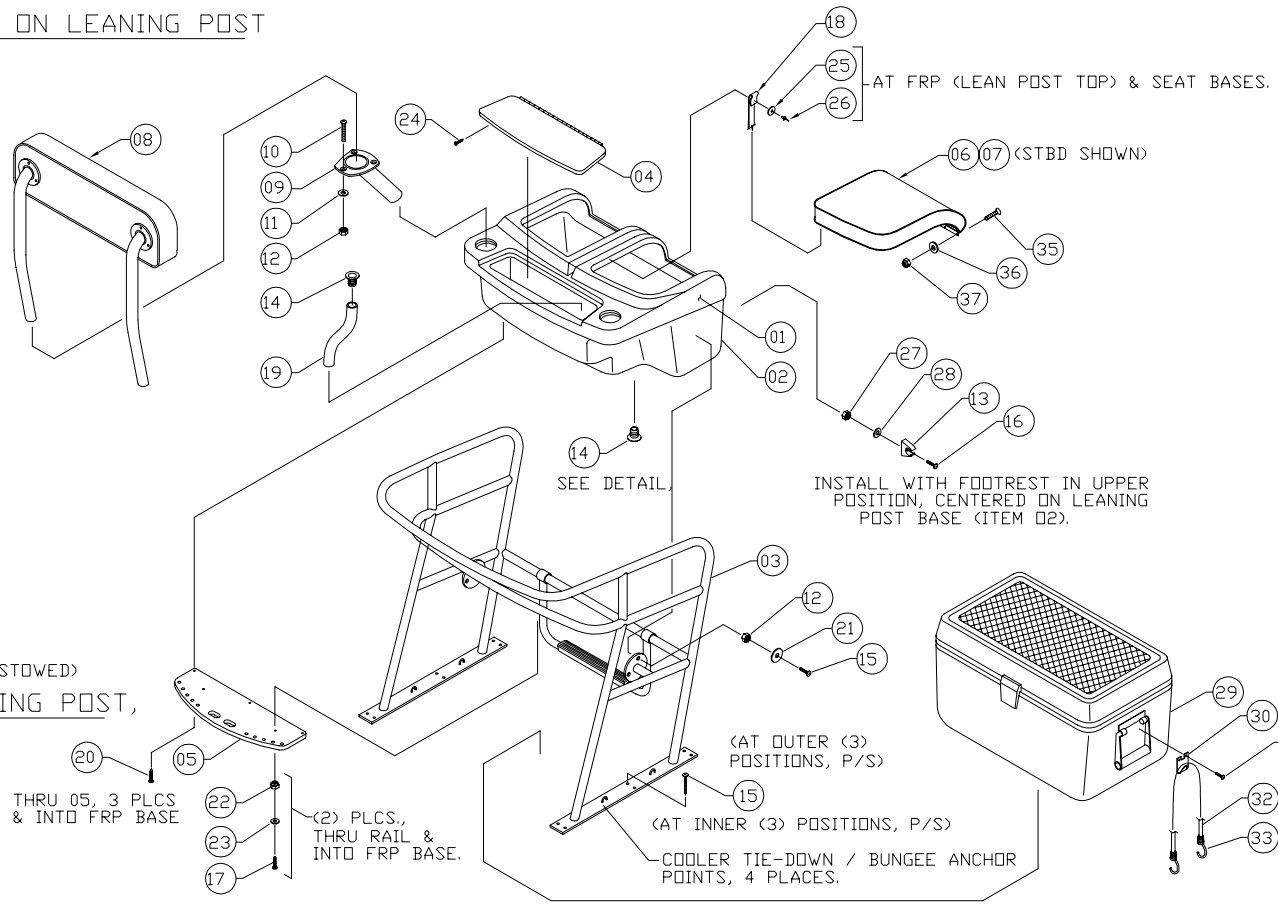
TOP-VIEW ON LEANING POST



TOP-VIEW ON LEANING POST BASE.



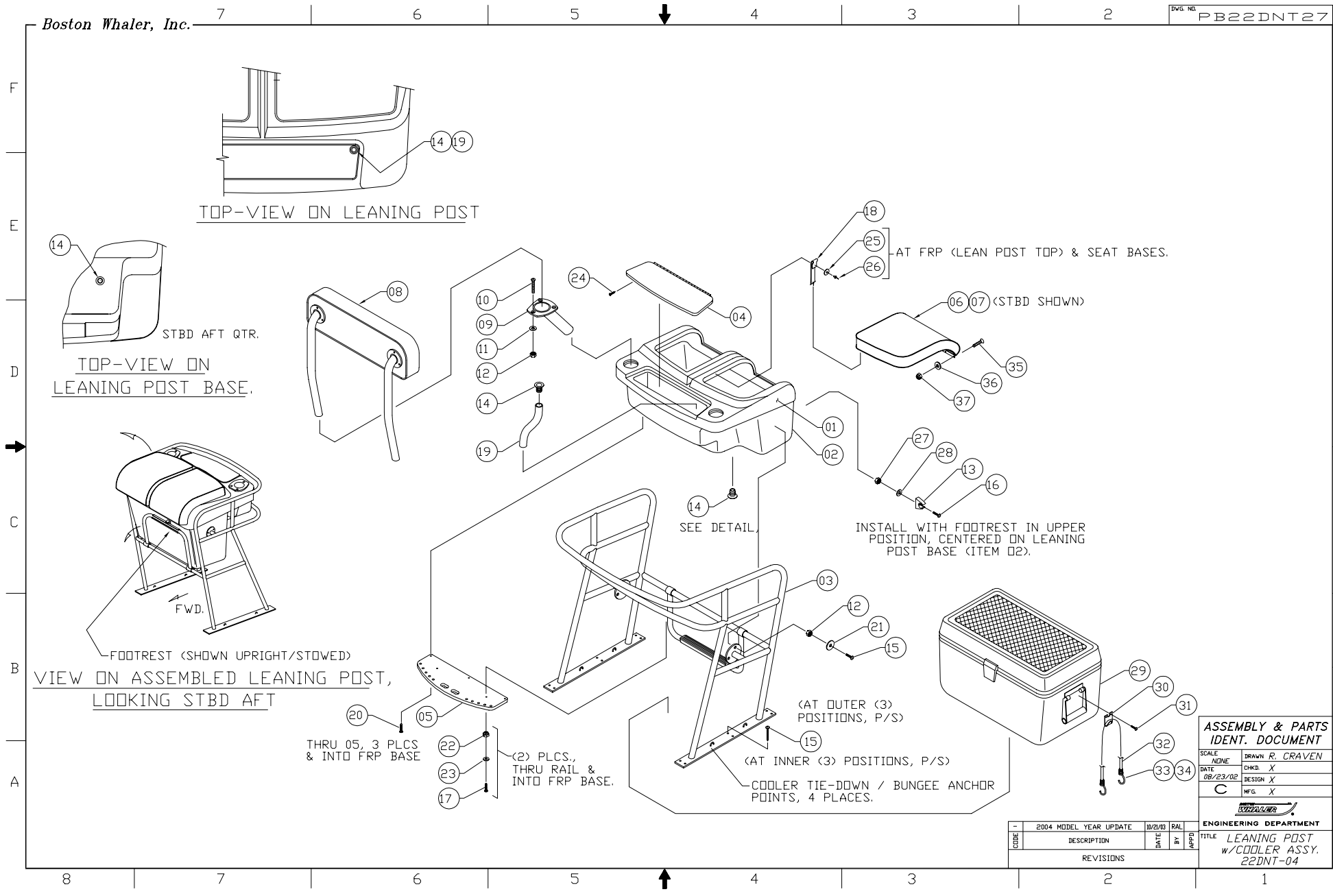
VIEW ON ASSEMBLED LEANING POST, LOOKING STBD AFT



FOOTREST (SHOWN UPRIGHT/STOWED)
FWD.

ASSEMBLY & PARTS IDENT. DOCUMENT			
SCALE	NONE	DRAWN	R. CRAVEN
DATE	08/23/02	CHKD.	X
		DESIGN	X
		MFG.	X
ENGINEERING DEPARTMENT			
TITLE LEANING POST w/COOLER ASSY. 22DNT-04			

CODE	2004 MODEL YEAR UPDATE	DATE	BY	APPD
		08/23/02	RAL	
REVISIONS				



MODEL YEAR 2004 PARTS LIST

BOAT MODEL: 22DNT-04
DOCUMENT CONTROL NO: PB22DNT28

ITEM	QTY.	U/M	DESCRIPTION	B.W.I. NO.
01	1	EA	LEANING POST TOP	22J63500
02	1	EA	LEANING POST BOTTOM	22J99600
03	1	EA	FRAME, LEAN POST GRAB RAIL	1062876
04	1	EA	LID, HDPE LEAN POST SEAFOAM	1062728
05	1	EA	HOLDER, HDPE LEADER/TOOL	1062702
06	1	EA	CUSH, BW22DNT-03 LEAN POST STB	1738397
07	1	EA	CUSH, BW22DNT-03 LEAN POST PRT	1738396
08	1	EA	CUSH, BW22DNT-03 B/R W/HDWR	1738398
09	2	EA	ROD HOLDER, FLUSH MNT SS W/BW LOGO	1591643
10	6	EA	SCREW, MACHINE #1/4-20 X 1.5" PPH SC	1010438
11	6	EA	WASHER, FLAT #1/4" SC	1260769
12	12	EA	NUT, HEX NYLON LOCK #1/4-20 SC	1007764
13	1	EA	CLIP, LADDER WHITE	1091578
14	2	EA	DRAIN SLEEVE, FLUSH IMPACT 5/8" W/BARB	0518878
15	18	EA	SCREW, MACHINE 1/4-20 x 1" PPH SC	1008580
16	1	EA	SCREW, MACHINE #6-32 x 1" PPH SC	1008671
17	2	EA	SCREW, MACHINE #8-32 x 1.50 PTH SC	1010719
18	3	FT	WEBBING, BW-97 STRAP NYLON 1"	1030105
19	.25	FT	TUBING, WATER LINE 3/8"ID X 1/2"OD	0896605
20	3	EA	SCREW, TAPPING #10A x 1" PTH SC	1008739
21	6	EA	WASHER, FENDER 1/4" x 1.25" SC	1260678
22	2	EA	NUT, LOCK 8-32 SC	1009927
23	2	EA	WASHER, FLAT #8 SC	1326297
24	12	EA	SCREW, TAPPING #6A x 1/2" PFH SC	1010362
25	4	EA	WASHER, FENDER 13/64"X 1" SC	1684806
26	4	EA	RIVET, POP/BLIND 3/16" x 5/8" ALUM.	0189415
27	1	EA	NUT, LOCK #6-32 SC	1009810
28	1	EA	WASHER, FLAT #6 SC	1326222
29	1	EA	COOLER, 94QT WHT	1016435
30	2	EA	HOOK, PLAS COOLER 1/8" WHT.	1043181
31	4	EA	SCREW, TAPPING #8A x 5/8" PTH SC	1010925
32	3	FT	CORD, SHOCK/BUNGEE 3/8" BULK BLK	1039528
33	4	EA	CORD, SHOCK BUNGEE CLAMP 3/8" DIA.	1020023
34	4	EA	CORD, SHOCK BUNGEE 3/8" SPRING	1020056
35	12	EA	SCREW, MACHINE #10-24 x 7/8" PFH SC	1684807
36	12	EA	WASHER, FLAT #10 SC	1260751
37	12	EA	NUT, HEX NYLON LOCK #10-24 SC	1007772

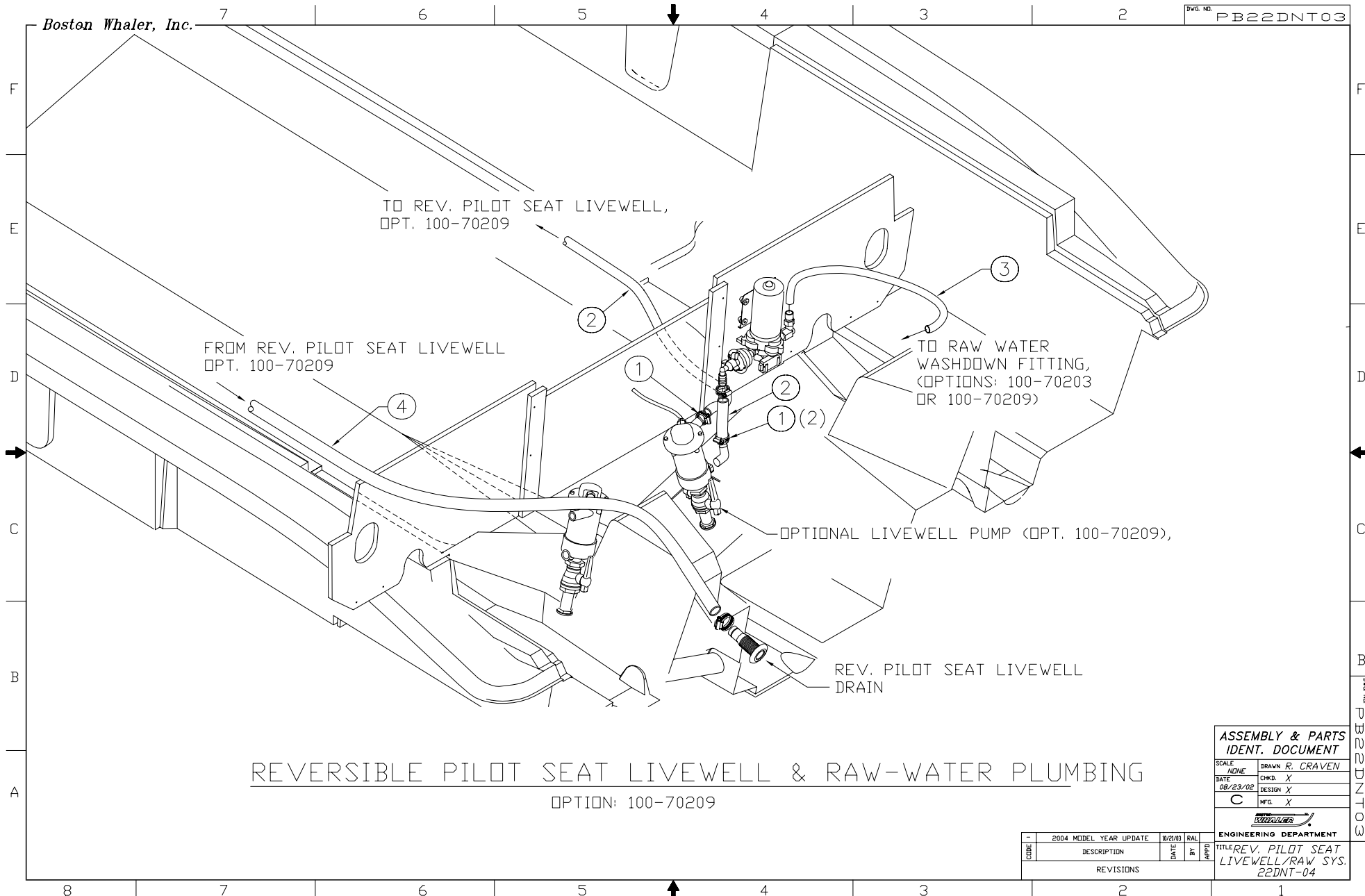
MODEL YEAR 2004 PARTS LIST

BOAT MODEL: 22DNT-04
DOCUMENT CONTROL NO: PB22DNT04

ITEM	QTY.	U/M	DESCRIPTION	B.W.I. NO.
1	3	EA.	CLAMP, HOSE #10 1/2"-1/8" SS .505	0263954
2	0	FT.	HOSE, WATER 3/4" BLK REINF PVC	1042100
3	0	FT.	TUBING, SEATECH 15MM X 11MM X 250' BLUE	1210160
4	0	FT.	HOSE, WATER 1 1/8" BLK	1042076

Boston Whaler, Inc.

DWG. NO. PB22DNT03



REVERSIBLE PILOT SEAT LIVEWELL & RAW-WATER PLUMBING

OPTION: 100-70209

ASSEMBLY & PARTS IDENT. DOCUMENT			
SCALE	NONE	DRAWN	R. CRAVEN
DATE	08/23/02	CHKD.	X
		DESIGN	X
		MFG.	X
ENGINEERING DEPARTMENT			
TITLE: REV. PILOT SEAT LIVEWELL/RAW SYS. 22DNT-04			

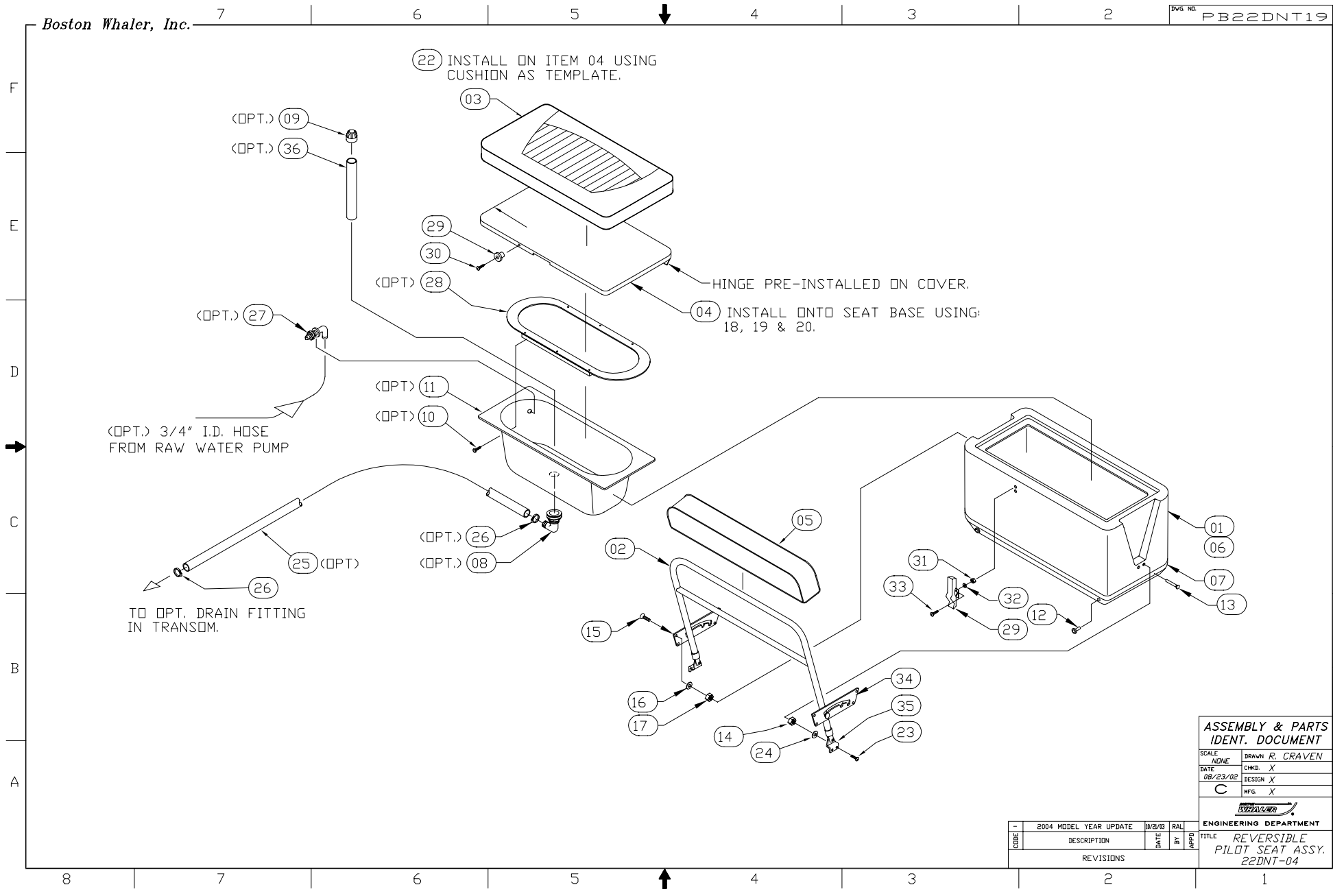
CODE	2004 MODEL YEAR UPDATE	DATE	BY	RAL	APP'D
REVISIONS					

PB22DNT03

MODEL YEAR 2004 PARTS LIST

BOAT MODEL: 22DNT-04
DOCUMENT CONTROL NO: PB22DNT04

ITEM	QTY.	U/M	DESCRIPTION	B.W.I. NO.
1	3	EA.	CLAMP, HOSE #10 1/2"-1/8" SS .505	0263954
2	0	FT.	HOSE, WATER 3/4" BLK REINF PVC	1042100
3	0	FT.	TUBING, SEATECH 15MM X 11MM X 250' BLUE	1210160
4	0	FT.	HOSE, WATER 1 1/8" BLK	1042076



ASSEMBLY & PARTS IDENT. DOCUMENT			
SCALE	NONE	DRAWN	R. CRAVEN
DATE	08/23/02	CHKD.	X
		DESIGN	X
		MFG.	X
ENGINEERING DEPARTMENT			
TITLE REVERSIBLE PILOT SEAT ASSY. 22DNT-04			

CODE	DESCRIPTION	DATE	BY	APPD
	2004 MODEL YEAR UPDATE	10/21/03	RAL	
REVISIONS				

PARTS 19

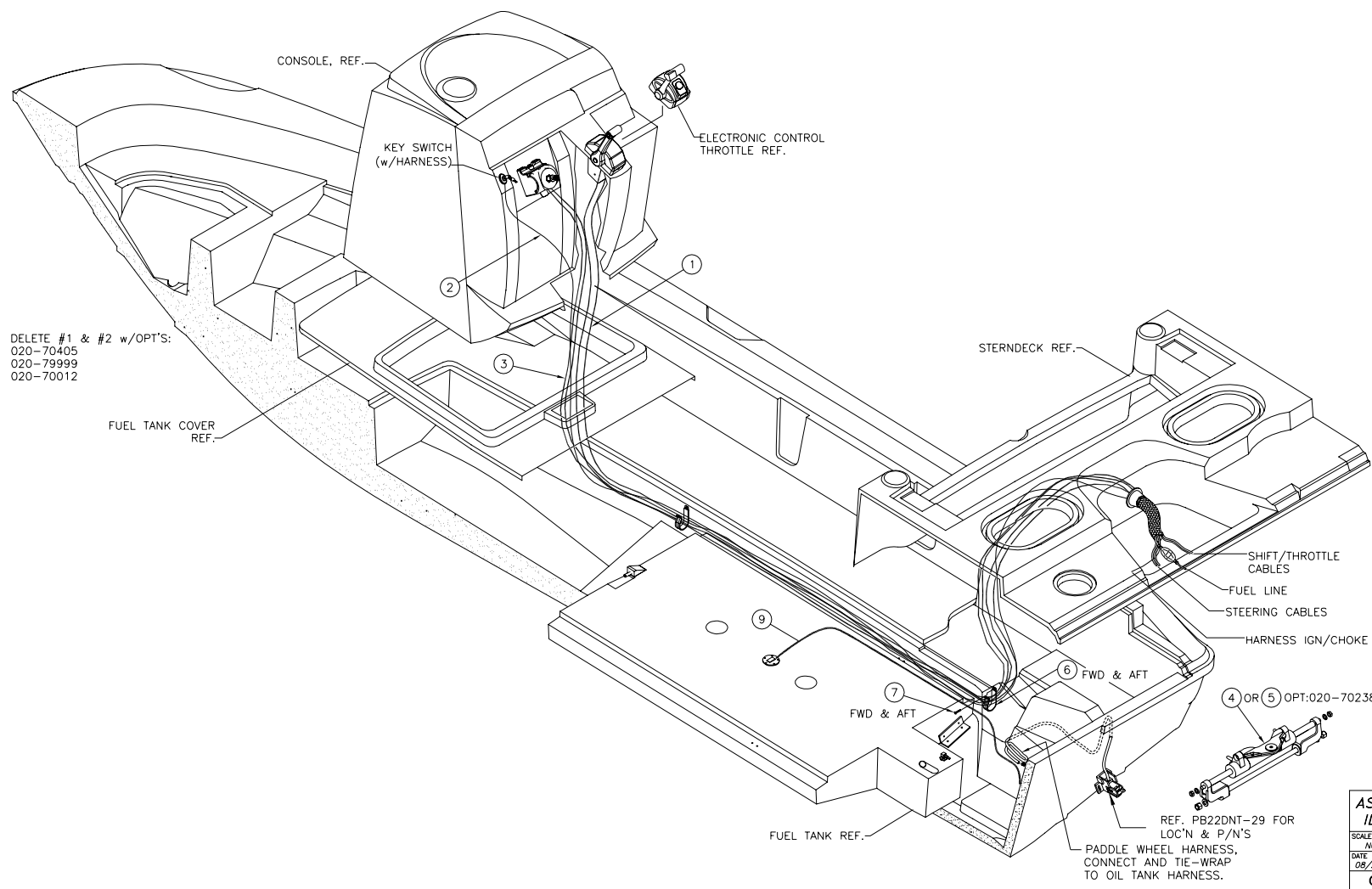
MODEL YEAR 2004 PARTS LIST

BOAT MODEL: 22DNT-04
DOCUMENT CONTROL NO: PB22DNT20

ITEM	QTY.	U/M	DESCRIPTION	B.W.I. NO.
01	1	EA	FIBERGLASS PART, REVERS. PILOT SEAT	22J79800
02	1	EA	SUPPORT, SS REV SEAT W/ B/R	1187053
03	1	EA	CUSH, BW180DA-02 REV PILOT SEAT	1550151
04	1	EA	BASE, HDPE BW140/160DA-99 REV SEAT SEAFM	1185883
05	1	EA	CUSH, BW180DA-02 REV SEAT B/R	1573401
06	1	EA	PILOT SEAT BASE	22J98600
07	11	FT	TRIM, BLACK	1020932
08	1	EA	THRU-HULL, PLAS 1 1/8" TUBE X 90DEG WHT	1043371
09	1	EA	DRAIN, SCREEN ONLY 7/8" x 12"	1043348
10	6	EA	SCREW, TAPPING #6 X 3/4" PFH SC	1010370
11	1	EA	FIBERGLASS PART, LIVEWELL DROP-IN	22J87500
12	2	EA	IMPACT DRAIN	518878
13	26	EA	POP RIVET, BLK PLASTIC	1084151
14	4	EA	NUT, LOCK #1/4-20 SC STD PATT	1009786
15	8	EA	SCREW, MACH #10-24 x 3/4" PPH SC	1008440
16	8	EA	WASHER, FLAT #10 SC	1260751
17	8	EA	NUT, HEX NYLON LOCK #10-24 SC	1007772
18	4	EA	SCREW, MACH #6-32 x 1" PFH SC	1010172
19	4	EA	WASHER, FLAT #6 SC	1326222
20	4	EA	NUT, LOCK #6-32 SC	1009810
21	11	EA	SCREW, TAPPING #6 x 1/2" PFH SC	1010362
22	8	EA	SNAP STUD, #8 x 3/8" PH	0203786
23	4	EA	SCREW, MACH 1/4-20 x 1" PPH SC	1008580
24	4	EA	WASHER, FLAT 1/4" SC	1260769
25		FT	HOSE, WATER 1 1/8" BLK	1042076
26	2	EA	CLAMP, HOSE #16 3/4-1.5" SS	0256685
27	1	EA	PUMP, SPRAY HEAD LIVEWELL AERATOR	0858944
28	1	EA	TRIM, HDPE BW14/160DA-00 LIVEWELL	1331768
29	1	EA	LATCH, DRAW SOFT-LATCH 4"	1364058
30	1	EA	SCREW, TAPPING #10 X 1" PPH SC	1008507
31	2	EA	NUT, LOCK 8-32 SC	1009927
32	2	EA	WASHER, FLAT #8 SC	1326297
33	2	EA	SCREW, MACHINE #8-32 X 3/4" PTH SC	1010735
34	2	EA	PLATE, BWDA-01 REV SEAT SS	1566272
35	2	EA	BRACKET, BWDA-01 REV SEAT SS/DELTRIN	1566280
36	1	EA	DRAIN, STANDPIPE ONLY 7/8" X 12"	1583053

Boston Whaler, Inc.

DWG. NO. PB22DNT31



DELETE #1 & #2 w/OPT'S:
020-70405
020-79999
020-70012

ASSEMBLY & PARTS IDENT. DOCUMENT	
SCALE	NONE
DRAWN	R. CRAVEN
DATE	08/23/02
DESIGN	X
MFG.	X
ENGINEERING DEPARTMENT	
TITLE SHIFT/THROTTLE STEERING CABLE ASSY. 22DNT-04	

CODE	DESCRIPTION	DATE	BY	APPD
-	2004 MODEL YEAR UPDATE	10/01/03	RAL	
REVISIONS				

DWG. NO. PB22DNT31

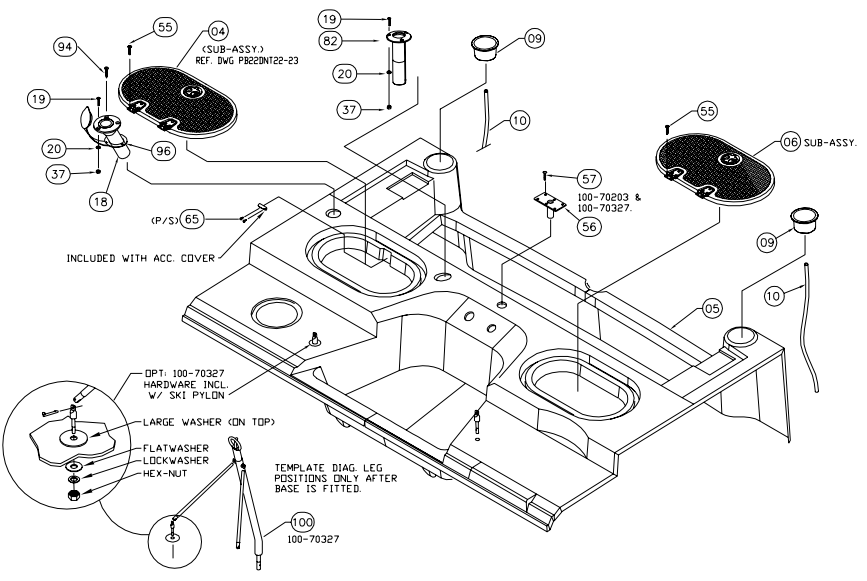
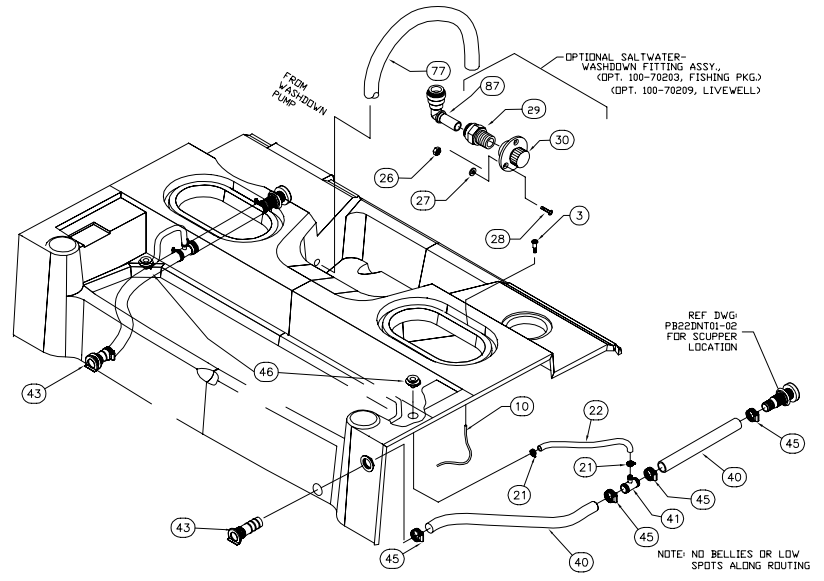
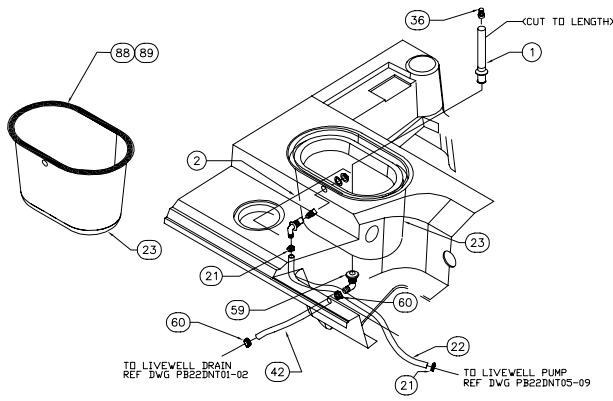
MODEL YEAR 2004 PARTS LIST

BOAT MODEL: 22DNT-04
DOCUMENT CONTROL NO: PB22DNT32

ITEM	QTY	U/M	DESCRIPTION	B.W.I. NO.
1	2	EA.	CABLE, CONTROL TELEFLEX 17' GEN II	1753763
2	1	EA.	HARNESS, IGN/CHOKE ASSY 20'	1032788
3	1	EA.	STEERING, O/B HOSE KIT 18' W/2 HOSES	1355304
4	1	EA.	STEERING, HYD CYLINDER O/B PIVOT MNT	1095728
5	1	EA.	STEERING, HYD CYL O/B PIVOT MNT	1691041
6	2	EA.	CLIP, SUPPORT 2.25"DIA	1040344
7	2	EA.	SCREW, TAPPING #10A X 3/4" PTH SC	1008762
8	1	GL	FLUID, HYDRAULIC H015	0102632
9	1	EA.	HARNESS, ENG MERC DIGITAL	1477934

Boston Whaler, Inc.

DWG. NO. PB22DNT43



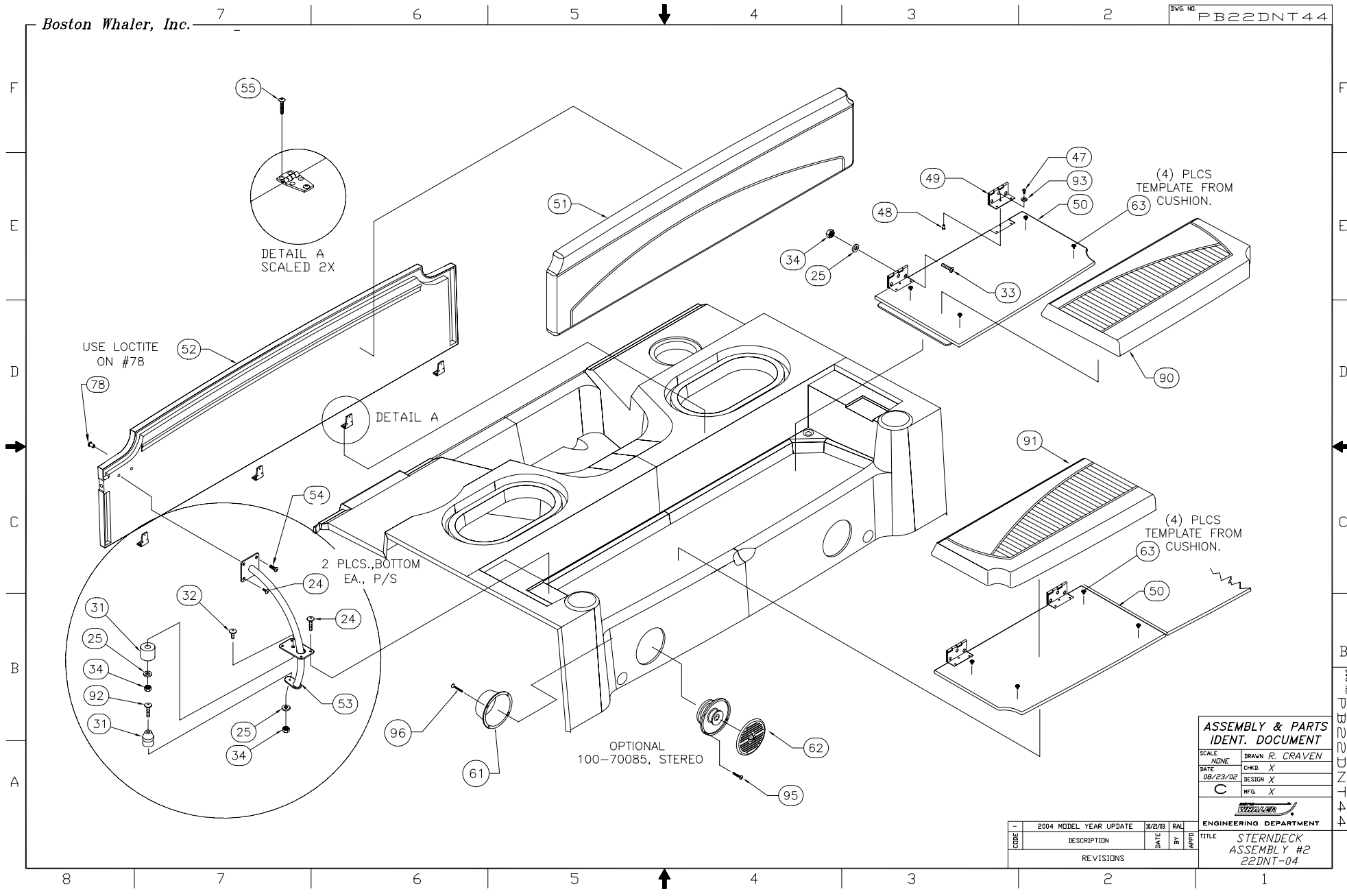
ASSEMBLY & PARTS IDENT. DOCUMENT			
SCALE	NONE	DRAWN	R. CRAVEN
DATE	08/23/02	CHKD.	X
		DESIGN	X
		MFG.	X
ENGINEERING DEPARTMENT			
TITLE			
STERNDECK ASSEMBLY #1			
22DNT-04			

CODE	DESCRIPTION	DATE	BY	APPD
2004 MODEL YEAR UPDATE		10/21/03	RAL	
REVISIONS				

DWG. NO. PB22DNT43

Boston Whaler, Inc.

DWG. NO. PB22DNT44



ASSEMBLY & PARTS IDENT. DOCUMENT

SCALE	NONE	DRAWN	R. CRAVEN
DATE	08/23/02	CHKD.	X
		DESIGN	X
		MFG.	X

ENGINEERING DEPARTMENT
 TITLE: STERNECK ASSEMBLY #2
 22DNT-04

CODE	DESCRIPTION	DATE	BY	APPD
-	2004 MODEL YEAR UPDATE	10/21/03	RAL	
REVISIONS				

DWG. NO. PB22DNT44

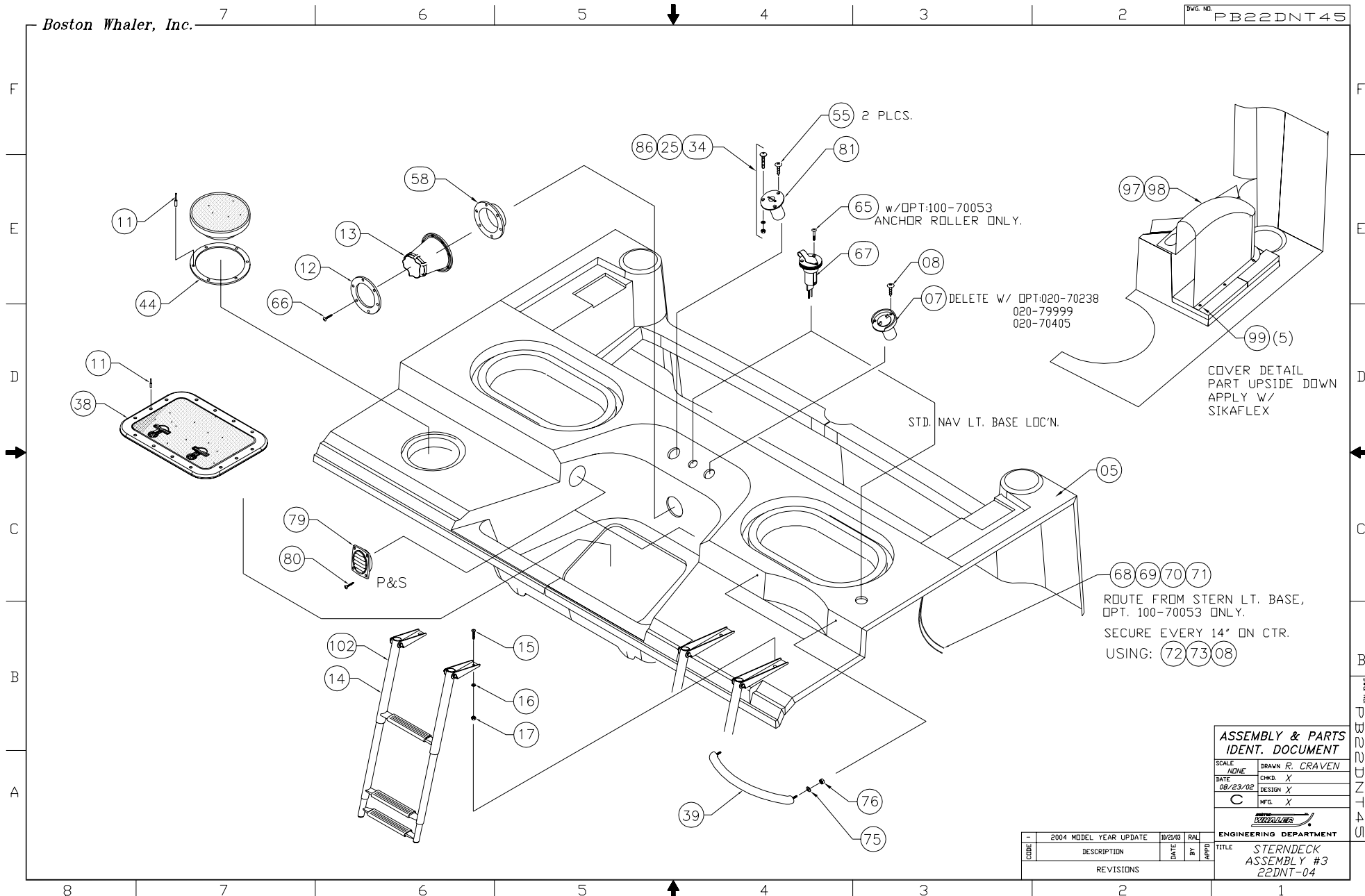
MODEL YEAR 2004 PARTS LIST

BOAT MODEL: 22DNT-04
DOCUMENT CONTROL NO: PB22DNT46

ITEM	QTY	U/M	DESCRIPTION	B.W.I. NO.
1	1	EA.	DRAIN, STANDPIPE ONLY 7/8" x 12"	1583053
2	1	EA.	BAITWELL, AERATOR SPRAY HEAD ADJ.	0858944
3	2	EA.	DRAIN, PUSH IN 3/8" WHITE	0916833
4	1	EA.	ACC.COVER SUB-ASSY., STERN DECK PORT PB22DNT*	*22-23
5	1	EA.	FIBERGLASS PART, STERN DECK	22K10800
6	1	EA.	ACC.COVER SUB-ASSY., STERN DECK STBD PB22DNT*	*22-23
7	1	EA.	ACC PART, OIL FILL KIT (STERN DECK)	0733105
8	7	EA.	SCREW,TAPPING #8 X 5/8" PTH SC	1010925
9	2	EA.	DRINKHOLDR, PLAS W/DRAIN DEEP XLG SZ BLK	1727419
10	0	FT.	HOSE, PVC CLEAR 3/8"	124347
11	20	EA.	RVMT, POP/BLIND #3/16 X 5/8" ALUM	0189415
12	1	EA.	BOOT, CABLE RING 3" BLK	1043330
13	1	EA.	BOOT, CABLE 3" BLK	1043223
14	1	EA.	LADDER, SWIM 3-STEP TELESCOP W/10" BRACKET	1589696
15	6	EA.	SCREW, MACHINE #1/4-20 X 1.5" PPH SC	1008598
16	6	EA.	WASHER, FENDER 1/4" X 1.25" SC	1260678
17	6	EA.	NUT, LOCK #1/4-20 SC STD PATT	1009788
18	2	EA.	ROD HOLDER, FLUSH MNT SS W/BW LOGO	1591643
19	8	EA.	SCREW, MACHINE #1/4-20 X 2" POH SC	1213297
20	6	EA.	WASHER, FLAT #1/4" SC	1260769
21	6	EA.	CLAMP, HOSE #10 1/2"-1 1/8" SS .505 (P&S)	0263954
22	0	FT.	HOSE, WATER 3/4" BLK REINF PVC	1042100
23	1	EA.	CONTAINER, LIVE BAITWELL BW180DA/VT-02	1571348
24	12	EA.	SCREW, MACHINE #10-24 X 1" POH SC	1010446
25	17	EA.	WASHER, FLAT #10 SC	1260751
26	3	EA.	NUT, LOCK 8-32 SC	1009927
27	3	EA.	WASHER, FLAT #8 SC	1326297
28	3	EA.	SCREW, MACHINE #8-32 X 1" POH SC	1008481
29	1	EA.	ADAPTER, SEATECH STRAIGHT 1/2" MPT-15MM	1542919
30	1	EA.	FITTING, RAW WTR OUTLET SS	1718983
31	2	EA.	STOP, DOOR HOLDER RBR BLUE (P&S)	1142348
32	2	EA.	SCREW, MACHINE #10-24 X 1/2" POH SC (P&S)	1008432
33	12	EA.	SCREW, MACHINE #10-24 X 1" PPH SC	1213222
34	17	EA.	NUT, HEX NYLON LOCK #10-24 SC	1007772
35	4	EA.	HINGE, DOOR SS 1.5" X 3" THINLINE	1417923
36	1	EA.	DRAIN, SCREEN ONLY 7/8" X 12"	1043348
37	6	EA.	NUT, HEX #1/4-20 SC	1260694
38	1	EA.	HATCH, UTILITY 13.5" X 16.5" WHT	1719060
39	1	EA.	RAIL, GRAB 7/8" X 14.5" SS W/5/16" STUD	1617315
40	0	FT.	HOSE, SANI 2" BLK PVC 149 SERIES	1746049
41	2	EA.	TEE, PVC 2" BARB X .75" BARB X 2" BARB BLK	1747280
42	0	FT.	HOSE, WATER 1 1/8" BLK	1042076
43	2	EA.	THRU-HULL, PLAS 2" HEAD BARB WHITE	1616457
44	1	EA.	PLATE, DECK ACCESS 6" PRY-OUT SAND	1447432
45	8	EA.	CLAMP, HOSE #24 1"-2" SS .505	0256693
46	2	EA.	DRAIN, HATCH 3/4" BARB W/NUT 90DEG WHT	1058841
47	12	EA.	SCREW, MACHINE #10-24 X 1/2" POH SC	1008432
48	12	EA.	NUT, BBL #10-24 X 3/8" FH	1040187
49	4	EA.	HINGE, BUTT 4" OFFSET SS BW120IM-01	1474881
50	1	EA.	BASE, HDPE BW180DA-02 STERN SEAT	1739482
51	1	EA.	CUSH, BW180DA-02 STERN SEAT B/R	1526185
52	1	EA.	SUB ASSY, STERN SEAT BACK PB22DNT*	*22-23
53	2	EA.	BRACKET, BW180DA-02 STERN SEAT STOP	1531870
54	4	EA.	SCREW, MACHINE #10-24 X 3/4" POH SC	1008440
55	14	EA.	SCREW, TAPPING #10A X 1" POH SC	1008507
56	1	EA.	BASE, BW-97 FISH PED 3" X 6" THREADED SS	1076967
57	6	EA.	SCREW, MACHINE #1/4-20 X 1" PPH SC	1009950
58	1	EA.	GROMMET, CABLE BOOT 3" BLK	1574839
59	1	EA.	THRU-HULL, PLAS 1 1/8" TUBE X 90 DEG WHT	1043371
60	2	EA.	CLAMP, #16 3/4"-1.5" SS .505	256685
61	2	EA.	COVER, ABS SPKR 7 1/8" RAD WHT	1047836
62	2	EA.	SPEAKER, COAXIAL 6.5" W/WHT CVR & WHT TWEETER	1690555
63	8	EA.	SNAP STUD W/#8 X 3/8" POH	203786
65	7	EA.	SCREW, TAPPING #8A X 1/2" PPH SC	1213081
66	6	EA.	SCREW, TAPPING #8A X 1" POH SC	1213065
67	1	EA.	LIGHT, NAV STERN BASE RND CHR	0331751
68	5	FT.	WIRE, 14GA AWG BLK INSUL TIN/CPR	1000140
69	5	FT.	WIRE, 14GA AWG GREY/WHT INSUL TIN/CPR	1000371
70	5	FT.	HOSE, CONDUIT/SPLIT 1/4" FLAME RET.	1501808
71	2	EA.	CONN BUTT 16/14GA H/SHRINK	0154997
72	4	EA.	TIE CLIP, BLK	1031764
73	4	EA.	TIE, CABLE 6" LG NYLON BLK	0999672
74	6	EA.	TRACK, PVC HATCH SLIDE 10" WHITE	1417908
75	2	EA.	WASHER, FLAT 5/16" SC	1260785
76	2	EA.	NUT, HEX NYLON LOCK 5/16-18 SC	1007814
77	0	FT.	TUBING, SEATECH 15MM X 11MM X 250" BLUE	1210160
78	4	EA.	NUT, BBL #10-24 X 3/8" TH CHR/BR	1040211
79	2	EA.	VENT, LOUVERED 3 5/8" X 3 5/8" WHT	819243
80	8	EA.	SCREW, TAPPING #8A X 3/4" POH SC	1213057
81	1	EA.	DECK FILL, GAS SS 30DEG ANGLE	0858449
82	2	EA.	ROD HOLDER, FLUSH MNT SS 90DEG W/ CAP	1591650
83	8	EA.	SCREW, MACHINE #4-40 X 1" PPH SS	1260472
84	8	EA.	NUT, HEX NYLON LOCK #4-40 SC	1467246
85	8	EA.	WASHER, FLAT #4" SC	1260630
86	1	EA.	SCREW, MACHINE #10-24 X 1.5" POH SC	1305788
87	1	EA.	ELBOW, SEATECH 90DEG STEM 15MM	1214840
88	250	LB.	ADHESIVE, WELD-ON SS 214 2PART 470ML	1558485
89	1000	LB.	ADHESIVE, WELD-ON SS 214HV 60COMPONENT-B	1488314
90	1	EA.	CUSH, BW180DA-02 STERN SEAT BASE PORT	1526177
91	1	EA.	CUSH, BW180DA-02 STERN SEAT BASE STBD	1531888
92	1	EA.	SCREW, MACHINE #10-24 X 1 1/4" PPH SC	1008630
93	12	EA.	WASHER, FINISH #10 SS	896258
94	8	EA.	SCREW, TAPPING #8A X 1" PPH SC	1010354
95	8	EA.	SCREW, TAPPING #8A X 1/2" PTH SC	1008796
96	2	EA.	CAP, BLACK RUBBER 2" ROD HOLDER	1634344
97	1	EA.	COVER, ABS BW22DNT-03 STERNDECK PRT	1735717
98	1	EA.	COVER, ABS BW22DNT-03 STERNDECK STB	1735718
99	10	EA.	SCREW, TAPPING #8 X 5/8" PTH SC	1010925
100	1	EA.	SKI TOW PYLON, BW-03 SS 31" W/15 DEG BEND	1734898
101	2	EA.	SCREW, TAPPING 14A X 3/4" POH	1010560
102	1	EA.	LADDER, SWIM 3-STEP TELESCOP W/13" BRACKET	1749735

Boston Whaler, Inc.

DWG. NO. PB22DNT45



ASSEMBLY & PARTS IDENT. DOCUMENT

SCALE	DRAWN	R. CRAVEN
NONE	CHKD.	X
DATE	DESIGN	X
08/23/02	MFG.	X

ENGINEERING DEPARTMENT

CODE	DESCRIPTION	DATE	BY	APP'D
-	2004 MODEL YEAR UPDATE	11/21/03	RAL	
REVISIONS				

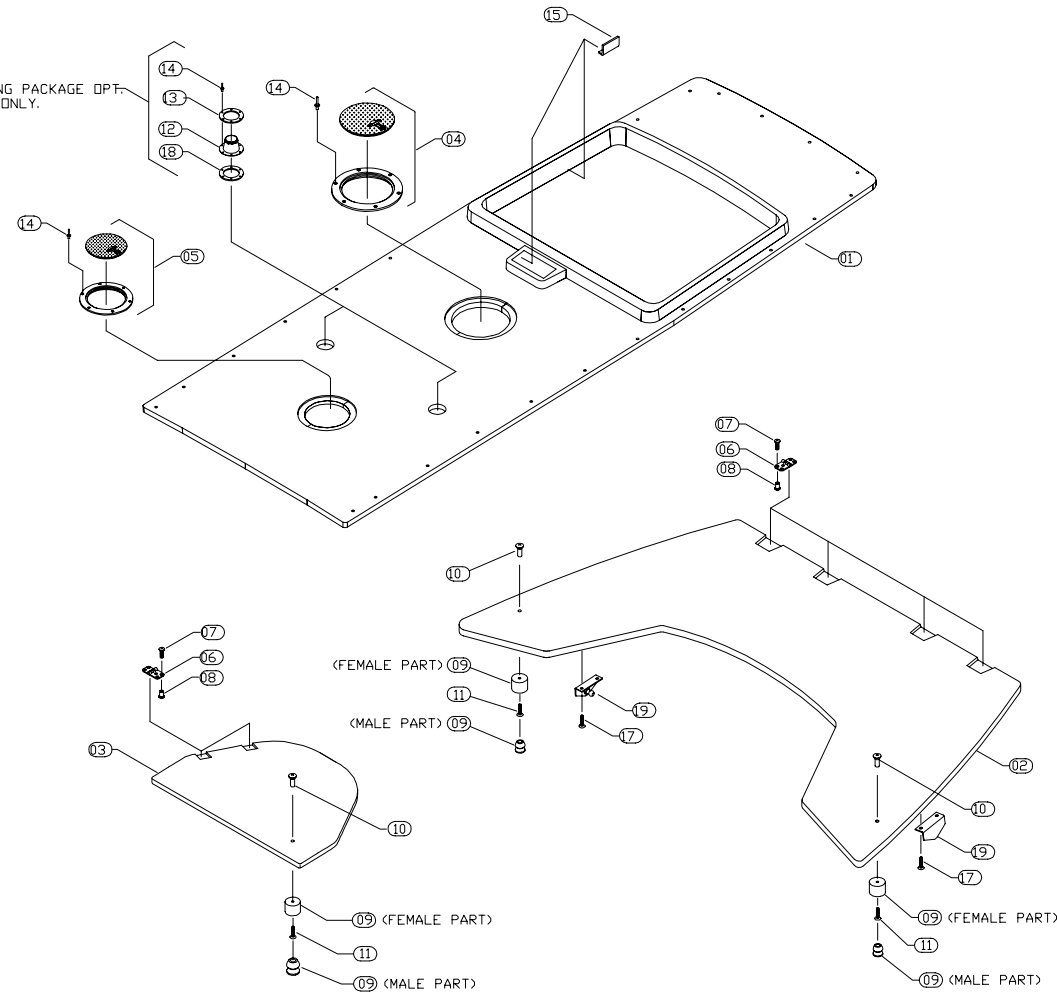
TITLE
 STERNDECK ASSEMBLY #3
 22DNT-04

DWG. NO. PB22DNT45

Boston Whaler, Inc.

DWG. NO. PB22DNT21

OPTIONAL:
FOR FISHING PACKAGE OPT.
100-70203 ONLY.



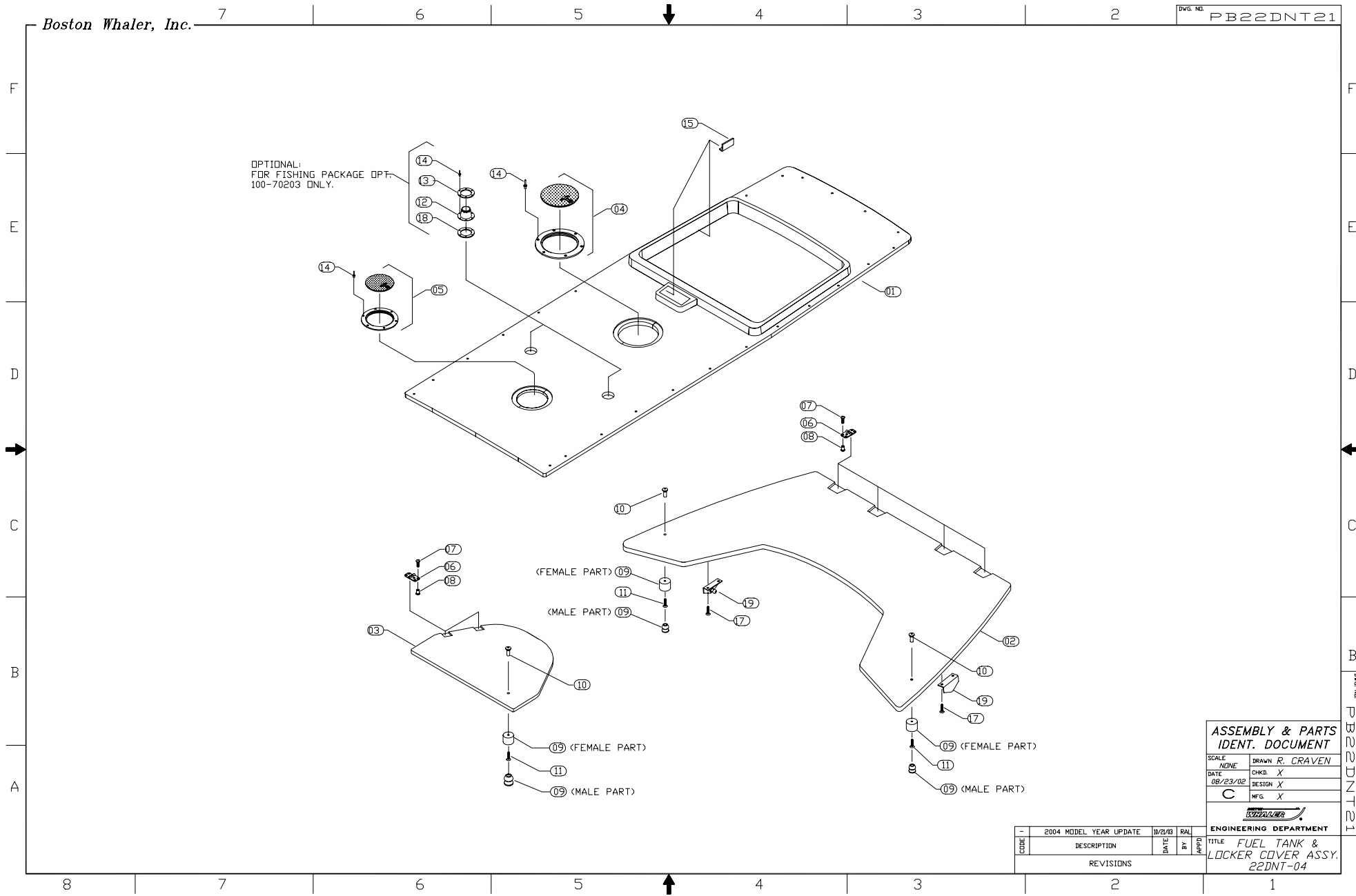
**ASSEMBLY & PARTS
IDENT. DOCUMENT**

SCALE	DRAWN	RAL
NONE	R. CRAVEN	
DATE	CHKD.	
08/23/02	X	
	DESIGN	
C	X	
	MFG.	
	X	



ENGINEERING DEPARTMENT
TITLE FUEL TANK &
LOCKER COVER ASSY.
22DNT-04

CODE	2004 MODEL YEAR UPDATE	DATE	BY	APP'D
		10/20/03	RAL	
REVISIONS				



PB22DNT21

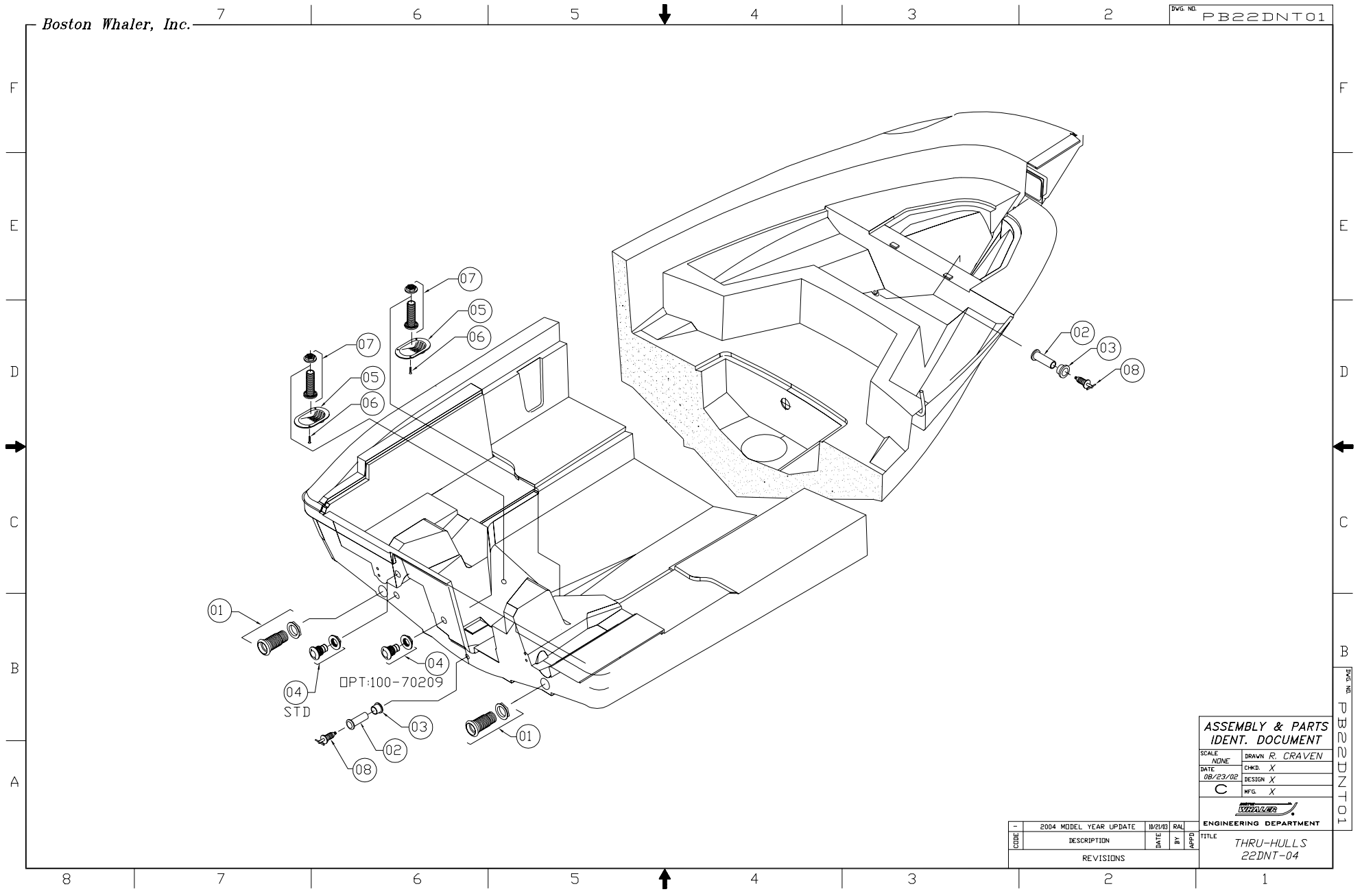
MODEL YEAR 2004 PARTS LIST

BOAT MODEL: 22DNT-04
DOCUMENT CONTROL NO: PB22DNT22

ITEM	QTY.	U/M	DESCRIPTION	B.W.I. NO.
01	1	EA.	FIBERGLASS PART, FUEL TANK COVER	22K10700
02	1	EA.	FIBERGLASS PART, STORAGE COVER	22J95900
03	1	EA.	FIBERGLASS PART, ANCHOR LOCKER COVER	22J72800
04	1	EA.	ACCESS PLATE, POLYPROP TWIST OUT 8"	1068659
05	1	EA.	ACCESS PLATE, POLYPROP TWIST OUT 6"	1068642
06	6	EA.	HINGE, DOOR SS 1.5" x 3" THINLINE	1617323
07	18	EA.	SCREW, MACHINE #10-24 x 1/2" POH SC	1008432
08	18	EA.	NUT, BBL #10-24 x 3/8" FH	1040187
09	3	EA.	STOP, DOOR HOLDER RBR BLUE	1142348
10	3	EA.	NUT, BBL #10-24 x 1/2" TH	1040203
11	3	EA.	SCREW, MACHINE #10-24 x 7/8" PPH SC	1010602
12	2	EA.	BOOT, CABLE 3" BLACK	1043223
13	2	EA.	BOOT, CABLE RING 3" BLACK	1043330
14	24	EA.	RIVET, POP/BLIND 3/16" x 5/8" ALUM	0189415
15	12	FT.	MOLDING, VINYL "L" OFF-WHT W/ADH	1020924
16				
17	4	EA.	SCREW, TAPPING #8A X 1/2" PTH SC	1008812
18	2	EA.	GROMMET, CABLE BOOT 3" BLK	1574839
19	2	EA.	BRACKET, SS LIFT CYL 90DEG 0.70" W/ STUD	817676

Boston Whaler, Inc.

DWG. NO. PB22DNT01



ASSEMBLY & PARTS IDENT. DOCUMENT

SCALE	DRAWN	RAL
NONE	R. CRAVEN	
DATE	CHKD.	
08/23/02	X	
	DESIGN	
C	X	
	MFG.	
	X	



ENGINEERING DEPARTMENT

CODE	2004 MODEL YEAR UPDATE	DATE	BY	APP'D	TITLE
		11/21/00	RAL		THRU-HULLS 22DNT-04
REVISIONS					

PB22DNT01

MODEL YEAR 2004 PARTS LIST

BOAT MODEL: 22DNT-04
DOCUMENT CONTROL NO: PB22DNT02

ITEM	QTY.	QTY.	U/M	DESCRIPTION	B.W.I. NO.
01	2		EA.	THRU-HULL, PLAS 2" SCUPPER SHORT	1760065
02	3		EA.	THRU-HULL, PVC PRESS-FIT	1042084
03	3		EA.	NUT, PVC RETAINING THRU-HULL	1042068
04	2	1	EA.	THRU-HULL, PLAS 1 1/8" X 5.5" WHT	1583061
05	1	1	EA.	STRAINER, MARELON 3/4" SCREEN ONLY	0995589
06	4	4	EA.	SCREW, TAPPING #8A x 1" POH SC	1213065
07	1	1	EA.	THRU-HULL, BRZ 3/4" W/NUT X-LONG	1032499
08	3		EA.	PLUG, BRASS 1" DRAIN TURN-TITE	133371