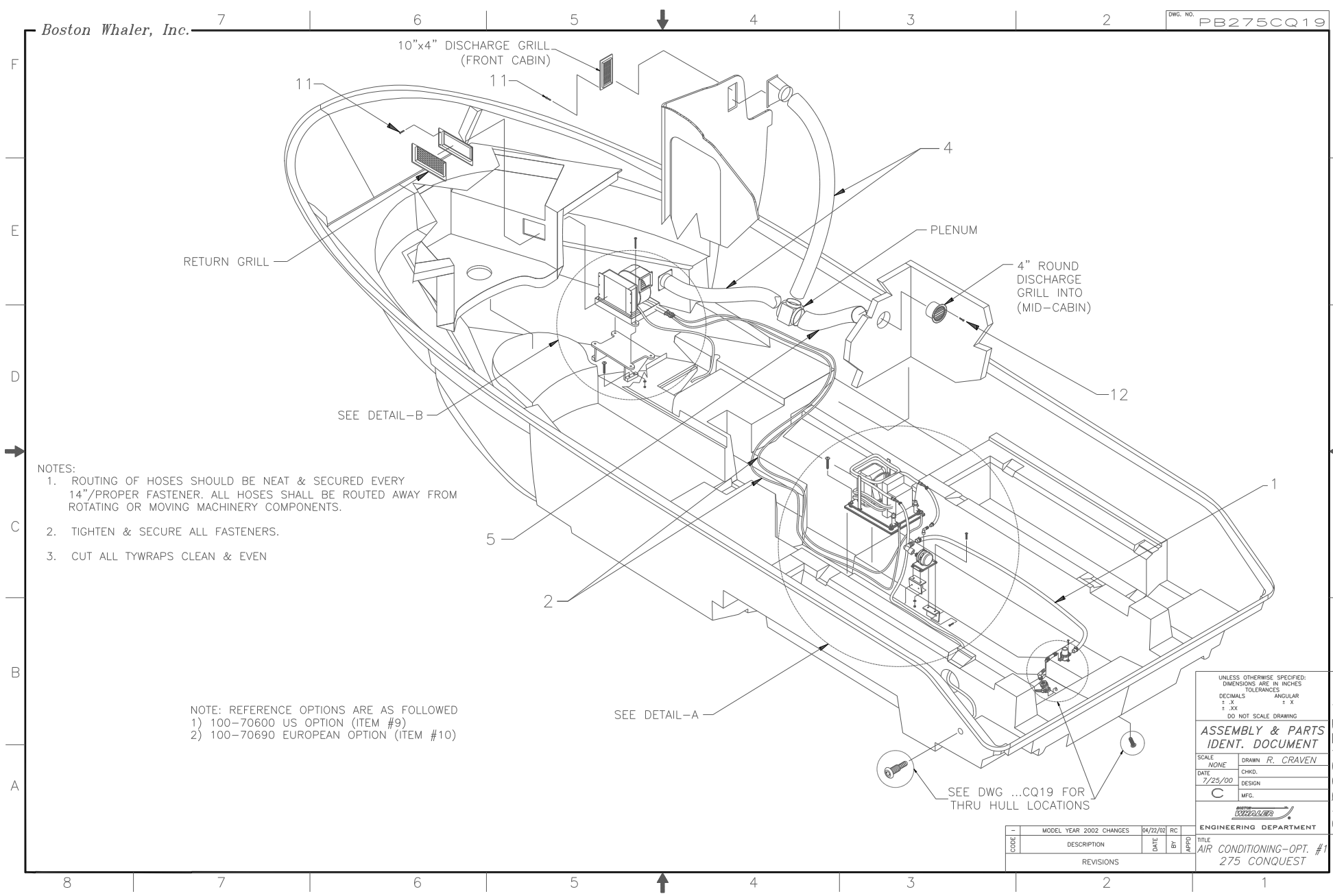


Boston Whaler, Inc.

DWG. NO. PB275CQ19



NOTES:

1. ROUTING OF HOSES SHOULD BE NEAT & SECURED EVERY 14\"/>

NOTE: REFERENCE OPTIONS ARE AS FOLLOWED
 1) 100-70600 US OPTION (ITEM #9)
 2) 100-70690 EUROPEAN OPTION (ITEM #10)

UNLESS OTHERWISE SPECIFIED:
 DIMENSIONS ARE IN INCHES
 TOLERANCES
 DECIMALS ANGULAR
 ± .X ± X
 ± .XX ± .X
 DO NOT SCALE DRAWING

ASSEMBLY & PARTS IDENT. DOCUMENT

SCALE: NONE DRAWN: R. CRAVEN
 DATE: 7/25/00 CHKD.
 C DESIGN
 MFG.

ENGINEERING DEPARTMENT

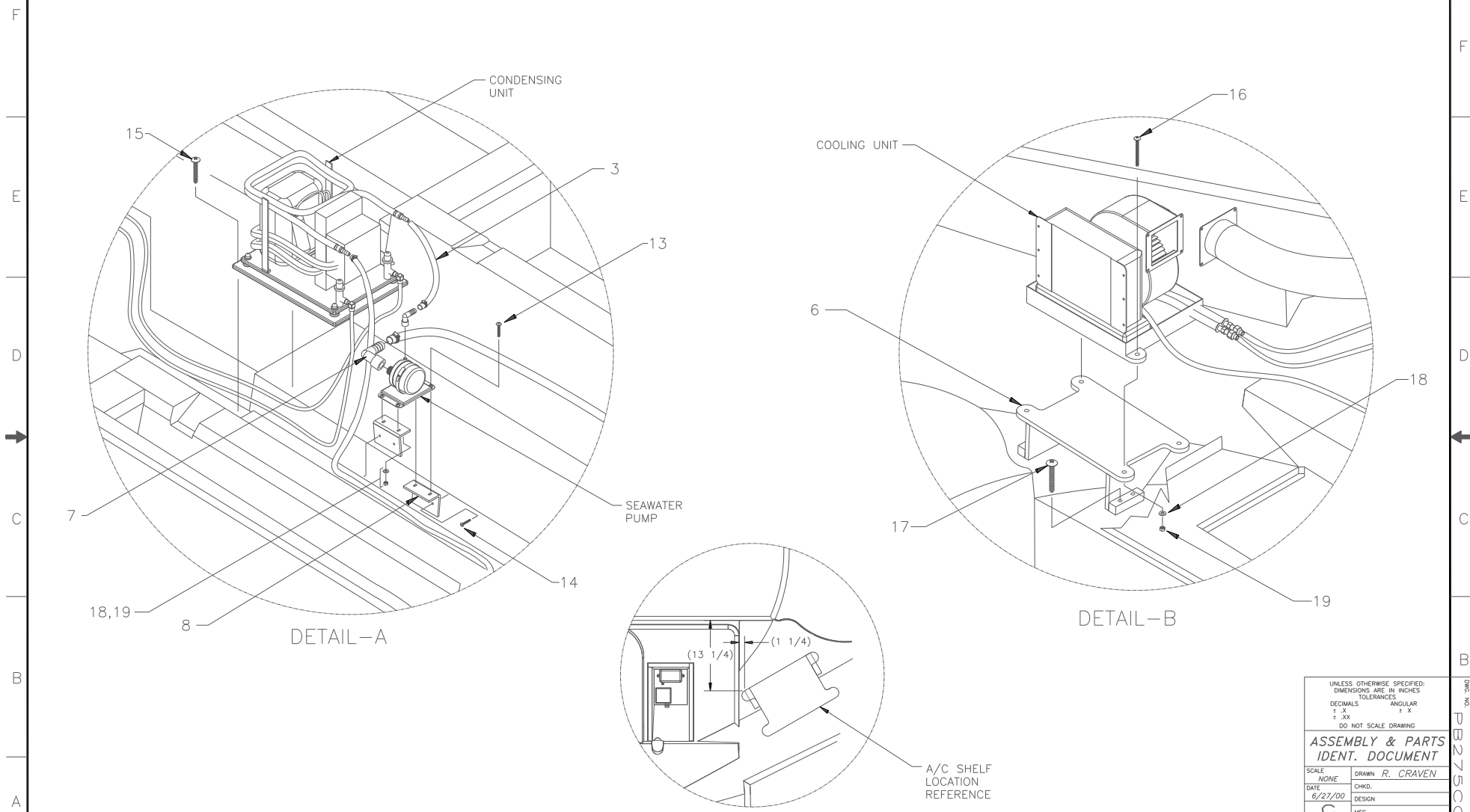
CODE	DESCRIPTION	DATE	BY	APPROV
REVISIONS				

TITLE: AIR CONDITIONING-OPT. #1
 275 CONQUEST

DWG. NO. PB275CQ19

Boston Whaler, Inc.

DWG. NO. PB275CQ20



UNLESS OTHERWISE SPECIFIED:
 DIMENSIONS ARE IN INCHES
 TOLERANCES
 DECIMALS ANGULAR
 ± .X ± X
 ± .XX ± .XX
 DO NOT SCALE DRAWING

**ASSEMBLY & PARTS
 IDENT. DOCUMENT**

SCALE: NONE DRAWN: R. CRAVEN
 DATE: 6/27/00 CHKD.:
 C DESIGN:
 MFG.:



ENGINEERING DEPARTMENT
 TITLE: AIR CONDITIONING-OPT. #2
 275 CONQUEST

CODE	DESCRIPTION	DATE	BY	APP'D
	REVISIONS			

DWG. NO. PB275CQ20

MODEL YEAR 2002 PARTS LIST

BOAT MODEL: 275 CONQUEST
DOCUMENT CONTROL NO: PB275CQ21

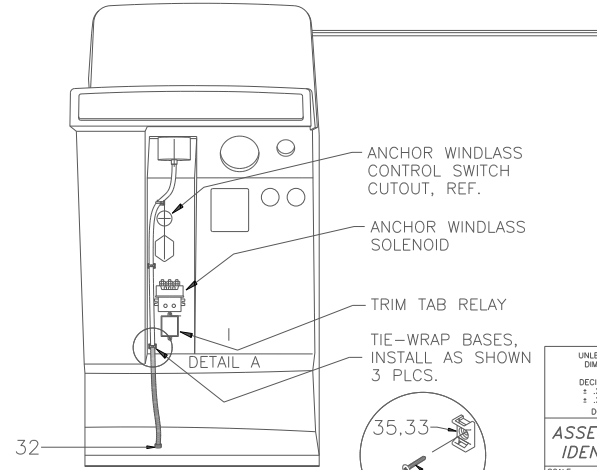
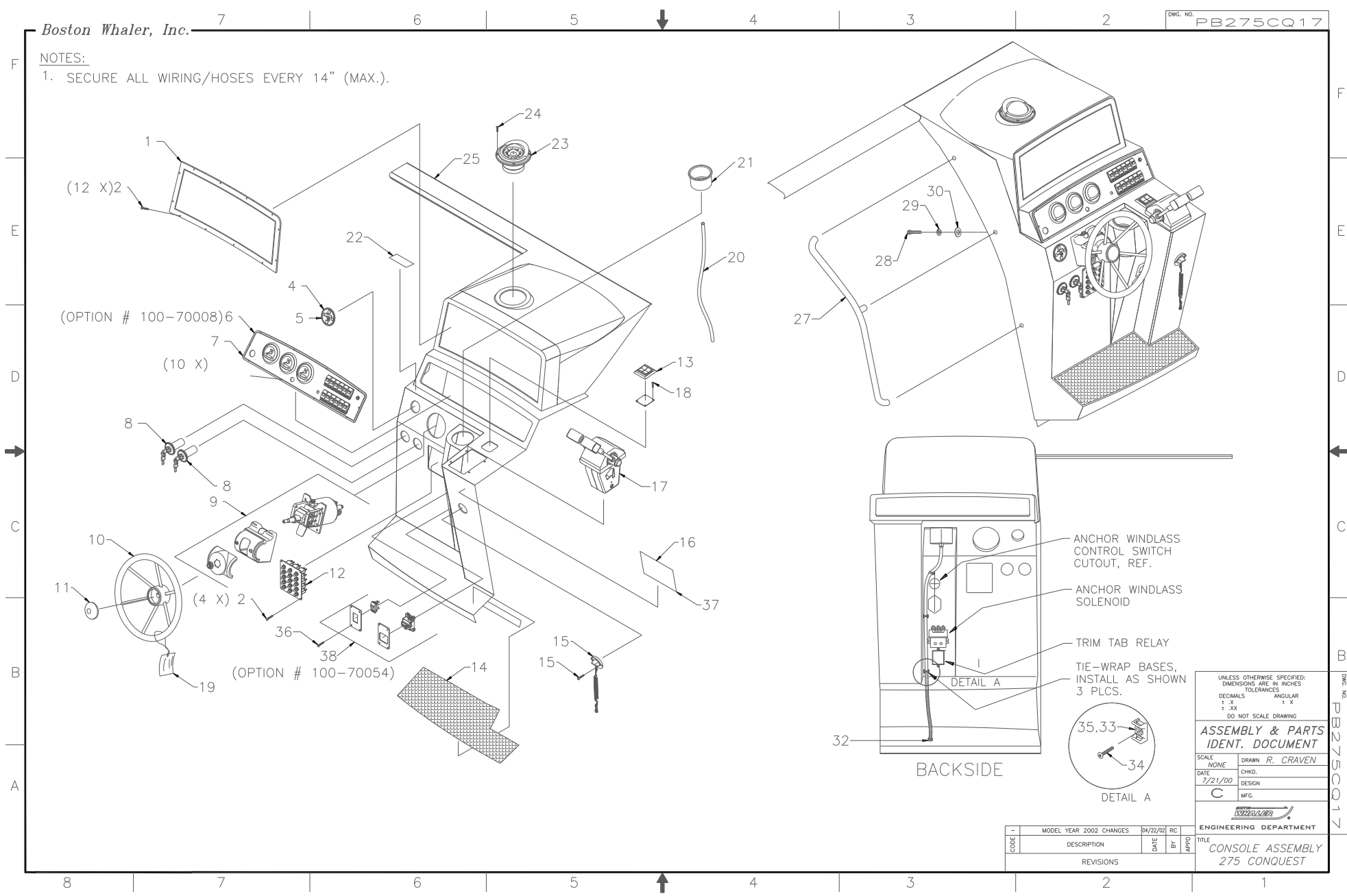
Item	Qty	U/M	Description	B.W.I.	NO.
1	5	FT.	HOSE, GENERAL PURPOSE	123810	
2	1	EA.	A/C COMPONENT-LINE ASSY KIT	1447390	
3	20	FT.	HOSE, WATER 5/8" HVY DUTY (HEATER)	124594	
4	0	FT.	HOSE, A/C DUCT INSULATED 5" x 10'	888107	
5	0	FT.	HOSE, A/C DUCT INSULATED 4" x 10'	639856	
6	1	EA.	SHELF,HDPE A/C BLOWER	1329051	
7	1	EA.	ADAPTER, GENOVA 3/4" FPT x 3/4" BARB	168369	
8	1	EA.	BRACKET, ALUM WATER PUMP	1452549	
9	1	EA.	AIR CONDITIONING KIT, 115VAC	1447374	
10	1	EA	AIR CONDITIONING KIT, 230VAC	1447382	
11	12	EA.	SCREW, TAPPING #8 x3/4" PFH	1008408	
12	2	EA.	SCREW, TAPPING #8x1" PTH	1008804	
13	4	EA	SCREW, MACHINE 1/4"x20x1" PPH	1008580	
14	4	EA.	SCREW, TAPPING #14x1" PPH	1008689	
15	4	EA.	SCREW, TAPPING #14x2" PTH	1008770	
16	4	EA.	SCREW, MACHINE 1/4"-20x2 1/2" PPH	1010594	
17	4	EA.	SCREW, TAPPING #14x1 1/2" PPH	1008697	
18	8	EA.	WASHER, FENDER 1/4"x1.25" SS	189365	
19	8	EA.	NUT, HEX NYLON LOCK 1/4"-20 SC	1007764	

Boston Whaler, Inc.

DWG. NO. PB275CQ17

NOTES:

1. SECURE ALL WIRING/HOSES EVERY 14" (MAX.).



BACKSIDE

DETAIL A

UNLESS OTHERWISE SPECIFIED:
DIMENSIONS ARE IN INCHES
TOLERANCES
DECIMALS ANGULAR
± .X ± X
± .XX ± .XX
DO NOT SCALE DRAWING

ASSEMBLY & PARTS IDENT. DOCUMENT

SCALE: NONE DRAWN: R. CRAVEN
DATE: 7/21/00 CHKD.:
DESIGN:
C MFG.:

ENGINEERING DEPARTMENT

CODE	MODEL YEAR	2002 CHANGES	DATE	RC	BY	APPROVED
			04/22/02	RC		
REVISIONS						

TITLE
**CONSOLE ASSEMBLY
275 CONQUEST**

DWG. NO. PB275CQ17

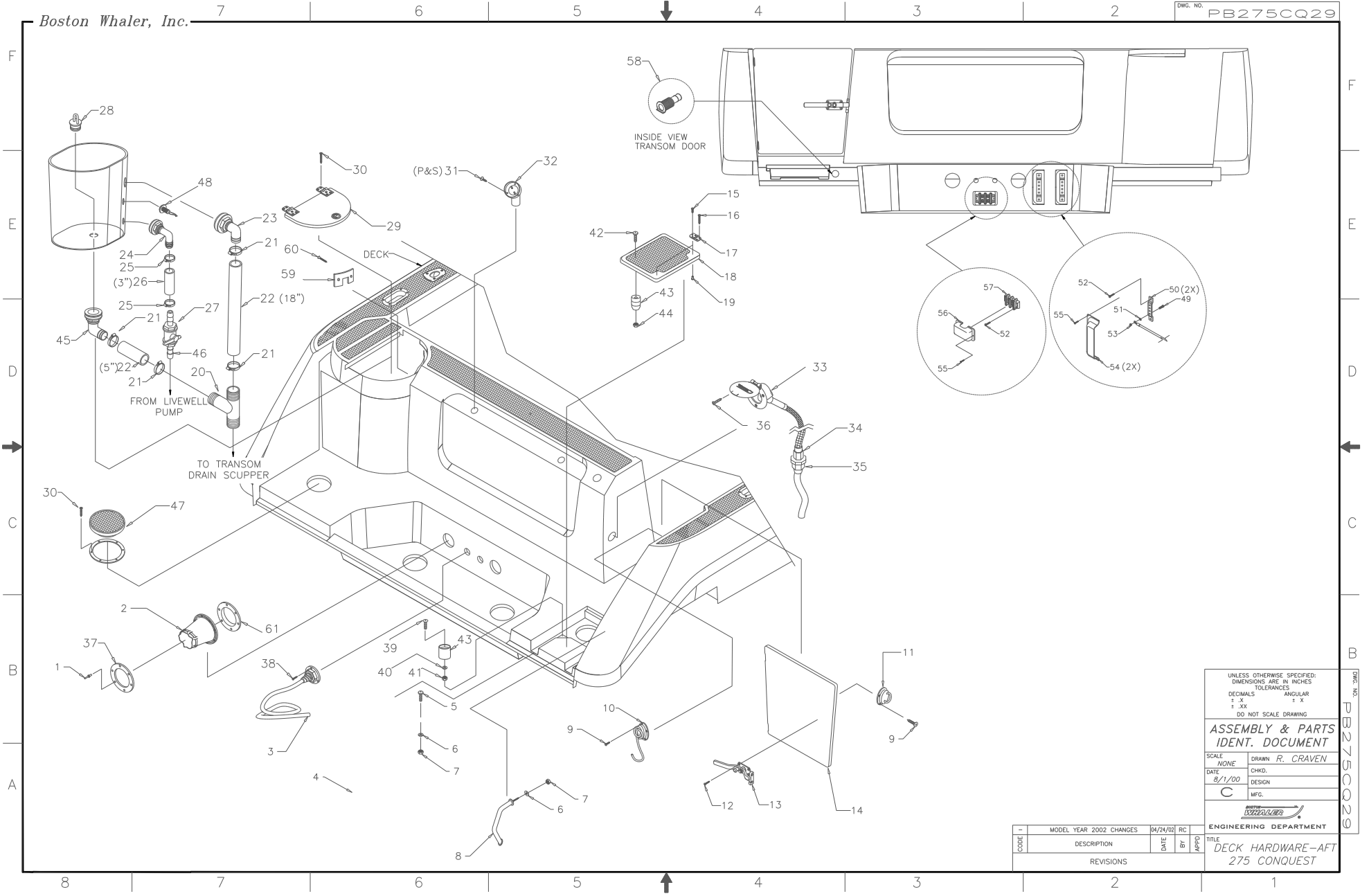
MODEL YEAR 2002 PARTS LIST

BOAT MODEL: 275 CONQUEST
DOCUMENT CONTROL NO: PB275CQ18

ITEM	QTY	U/M	DESCRIPTION	B.W.I. NO.
1	1	EA.	PANEL, BLANK:BW260/280CQ/2800R-01 ELEC CNSL	1443589
2	26	EA.	SCREW, TAPPING #8A X 5/8" PTH SC	1010925
4	1	EA.	STEREO, REMOTE CNTRL W/DIGITAL DISPLAY SS	1598465
5	1	EA.	CABLE, CLARION REMOTE EXT FOR M101RC	0917625
6	1	EA.	PANEL, BLANK:BW26 NO PRERIG	1443530
7	1	EA.	PANEL, BWCQ/OR-01 MERC DUAL PRERIG	1443548
8	2	EA.	HARNESS, IGN/CHOKE ASSY 20'	1032788
9	1	EA.	STEERING, HELM PUMP SEA STAR I TILT	0317032
10	1	EA.	STEERING WHEEL, 15" DIA SS 25DEG	1020197
11	1	EA.	EMBLEM, BW STEERING WHL CAP	1021054
12	1	EA.	PANEL, BW260/280CQ/2800R-01 BRKR	1443597
13	1	EA.	TRIM TAB, ASSEMBLY 10 X 12 BW26CQ	1347467
14	1	EA.	RUBBER PAD, BW280CQ-98 CNSL STBD TREAD BLK	1105923
15	1	EA.	ACC PART, MERC SWITCH (LANYARD STOP DUAL)	1477983
16	1	EA.	PLATE, NMMA YACHT CERT GAS	0125062
17	1	EA.	CONTROL, REMOTE TH/SHIFT DUAL CNSL MNT	1612944
18	4	EA.	SCREW, TAPPING #6A X 1" PFH SC	1010354
19	1	EA.	TAG, NOTICE NON-TOXIC ANTI-FREEZE ADDED	1259092
20	3	FT.	HOSE, PVC CLEAR DRAIN 7/16"	1041490
21	1	EA.	DRINKHOLDR, PLAS W/DRAIN XLG SZ BLK	1186329
22	1	EA.	LABEL, BW WARNING FUEL GAUGE READ	1016534
23	1	EA.	COMPASS, FLUSH MT HELMSMAN BLK	0141788
24	4	EA.	SCREW, TAPPING #6A X 1" PFH SC	1010354
25	1	EA.	FIBERGLASS PART, CONSOLE	22-J970-00
27	1	EA.	RAIL, GRAB BW280CQ/OR-98 CNSL	1131937
28	3	EA.	SCREW, CAP #5/16-18 X 1" HEX HD SC	1007707
29	3	EA.	WASHER, LOCK/SPLIT 5/16" SS	0153692
30	3	EA.	WASHER, FENDER 5/16"X 1.5" SS	0952002
32	1	EA.	DRAIN SLEEVE, FLUSH IMPACT 5/8"	0518878
33	3	EA.	TIE, CLIP BLK	1031764
34	3	EA.	SCREW, TAPPING #4A X 1" PFH SC	1010321
35	3	EA.	TIE, CABLE 6" LG NYLON BLK	0999672
36	8	EA.	SCREW, TAPPING #4A X 5/8" POH SC	1007822
37	1	EA.	PLATE, BUILDERS CE 02-BW275CQ	1619923
38	1	EA.	WINDLASS KIT, HORIZAN 600	1331370

Boston Whaler, Inc.

DWG. NO. PB275CQ29



UNLESS OTHERWISE SPECIFIED:
 DIMENSIONS ARE IN INCHES
 TOLERANCES
 DECIMALS ANGULAR
 ± .X ± X
 ± .XX ± .XX
 DO NOT SCALE DRAWING

ASSEMBLY & PARTS IDENT. DOCUMENT

SCALE: NONE DRAWN: R. CRAVEN
 DATE: 8/1/00 CHKD.:
 DESIGN:
 MFG.:
 C

BOSTON WHALER
 ENGINEERING DEPARTMENT

MODEL YEAR	2002 CHANGES	04/24/02	RC
CODE	DESCRIPTION	DATE	BY
	REVISIONS		APPD

TITLE
 DECK HARDWARE-AFT
 275 CONQUEST

DWG. NO. PB275CQ29

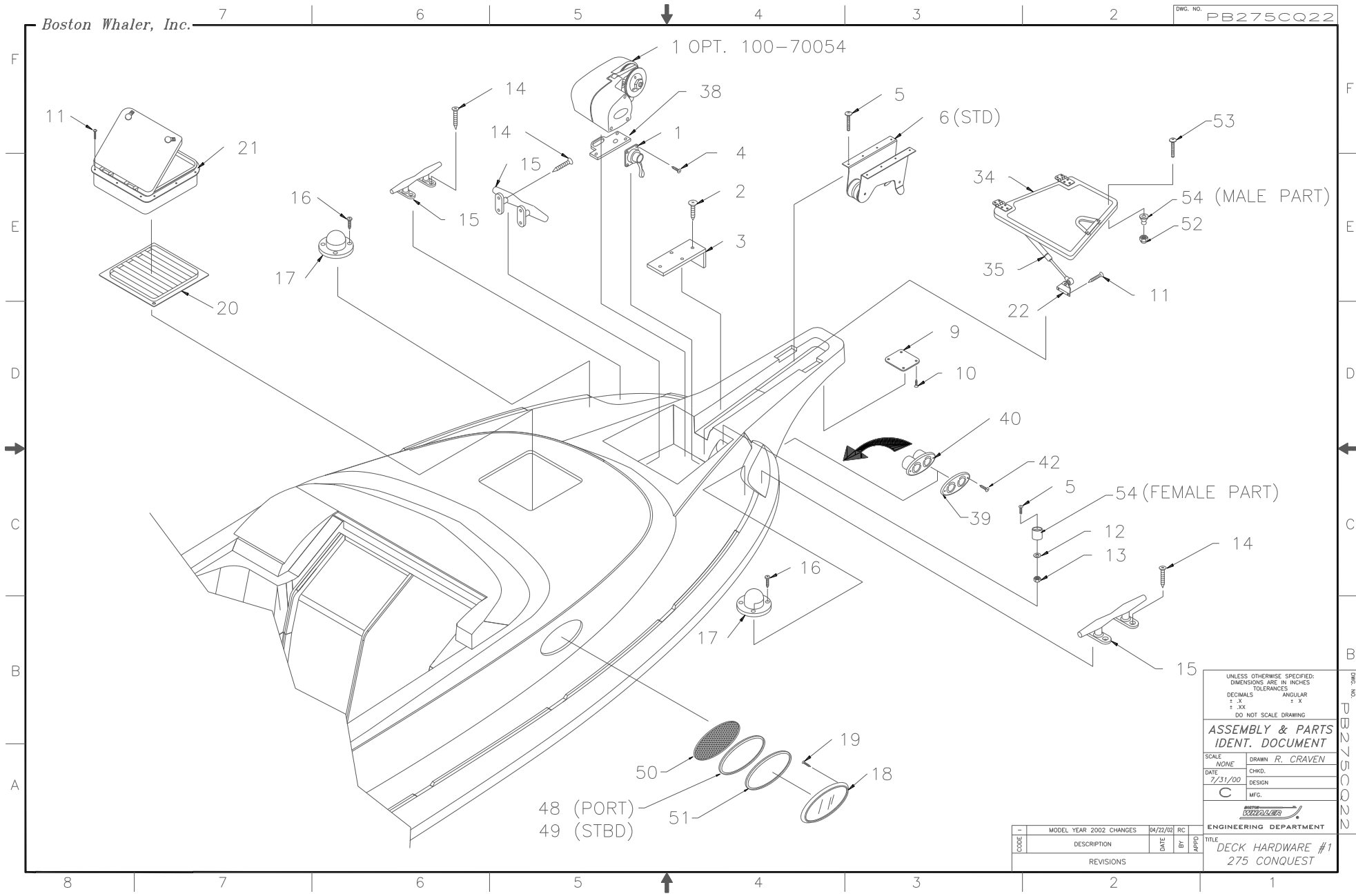
MODEL YEAR 2002 PARTS LIST

BOAT MODEL: 275 CONQUEST
DOCUMENT CONTROL NO: PB275CQ30

Item	Qty	U/M	Description	B.W.I No.
1	8	EA.	RIVET, POP/BLIND	0189415
2	2	EA.	BOOT, CABLE 3" BLK	1043223
3	1	EA	STEERING, O/B HOSE KIT 26' W/BHD FT	1275700
4	1	EA	LADDER, SWIM 3-STEP TELESCOPE	1034859
5	4	EA	SCREW, MACHINE #1/4-20 X 1 1/2" PPH	1008598
6	6	EA	WASHER, FENDER #1/4" X 1 1/4" SS	0189365
7	6	EA	NUT, LOCK #1/4-20 SC STD PATT	1009786
8	1	EA	RAIL, GRAB 11" X 1" SS W/ST	1008960
9	6	EA	SCREW, TAPPING #6A X 1/2" PFH	1010362
10	1	EA	HOOK, CABIN DOOR 2" CHR/BRZ	0996447
11	4	EA	HOOK, CABIN DOOR EYE	0996348
12	4	EA	SCREW, TAPPING #14A X 1" PFH	1008366
13	1	EA	LATCH, SS TRANSOM DOOR W/O CATCH	1062884
14	1	EA	DOOR, HDPE TRANSOM	1347475
15	23	EA	SCREW, MACHINE #10-24 X 5/8" POH	1010545
16	6	EA	SCREW, TAPPING #10A X 3/4" POH	1010552
17	2	EA	HINGE, DOOR SS 1 1/2" X 3"	0995159
18	1	EA	SWIM PLATFORM COVER	22J99500
19	6	EA	NUT, BBL #10-24 X 3/8" FH	1040187
20	1	EA.	TEE, PVC 1.5" BARB X 1.5" BARB, 1.5"	1037027
21	4	EA.	CLAMP, HOSE #24 1"-2" SS .505	0256693
22	6	IN.	HOSE, SANI SMOOTH WALL 1.5"	0123844
23	1	EA.	THRU-HULL, ELBOW PLAS 1.5" W/SCREEN	1233725
24	1	EA.	THRU-HULL, PLASTIC 3/4" X 90' WHT.	0146688
25	2	EA.	CLAMP, HOSE #16 3/4-1.5" SS .505	0256685
26	3	IN.	HOSE, GEN PURPOSE 3/4"	0123810
27	1	EA.	VALVE, MARELON BALL 2-WAY 3/4"	0557959
28	1	EA.	PLUG, DRAIN 1.5" BLK	0907279
29	1	EA.	COVER, HDPE BW260CQ-00 LIVEWELL SEAFM	1470921
30	25	EA.	SCREW, TAPPING #10A X 1" POH	1008507
31	6	EA.	SCREW, TAPPING #8 X 5/8" PTH SC	1010925
32	2	EA.	ACC PART, OIL FILL KIT (DECK)	0733105
33	1	EA.	WASHDOWN/SPRAYER, VERT MNT WHT W/BW LOGO	1612928
34	1	EA.	ADAPTER, SEATECH STRAIGHT 1/2"M-15MM BRASS	1216308
35	1	EA.	COUPLING, WHALE EQUAL 15MM	0909945
36	3	EA.	SCREW, TAPPING #10A X 3/4" POH SC	1010552
37	2	EA.	BOOT, CABLE RING " BLK	1043330
38	6	EA.	SCREW, TAPPING #8 X 3/4" POH SC	0150797
39	1	EA.	SCREW, MACHINE #1/4-20 X 1.5 PHS	1008598
40	1	EA.	WASHER, 1/4" FLAT	0152926
41	1	EA.	NUT, LOCK #1/4-20 SC STD PATT	1009786
42	1	EA.	SCREW, MACHINE #10-24 X 1.75" PTH SC	1341973
43	1	EA.	STOP, DOOR RUBBER BLUE	1142348
44	1	EA.	NUT, HEX NYLON LOCK #10-24 SC	1007772
45	1	EA.	THRU HULL, PLASTIC 1.5" TUBE X 90 DEG	0791673
46	2	EA.	TAILPIECE, MARELON 3/4" MPT X 3/4" BARB	0567925
47	4	EA.	PLATE, DECK ACCESS 6" PRY OUT SAND	1447432
48	1	EA.	LIGHT, COURTESY WATERPROOF FRONT MNT w/NUT	1078625
49	4	EA.	SCREW, CAP #5/16-18 X 1" HEX HD SC	1007707
50	2	EA.	BUSS BAR, BWCP-97 GRND COPPER	1030626
51	8	EA.	WASHER, STAR #1/4 SS	1008929
52	8	EA.	SCREW, TAPPING #14A X 1" PPH SC	1008689
53	8	EA.	NUT, HEX #5/16-18 SS	0152702
54	1	EA.	COVER, ABS BW BUSS BAR BLK	1001197
55	12	EA.	SCREW, TAPPING #6 X 3/4" PTH SC	1010917
56	1	EA.	COVER, ABS BW TERM BLOCK BLK	1001528
57	1	EA.	BUSS BAR, TERM BLOCK DC 2POST 90AMP	1043603
58	1	EA.	THRU-HULL, PLAS 1.5" L-FLANGE W/BARB/NUT WHT	1072826
59	1	EA.	LATCH, STRIKE BRACKET	1550839
60	2	EA.	SCREW, TAPPING #8A X 1/2" PTH SC	1008812
61	1	EA.	GROMMET, CABLE BOOT 3" BLK	1574839

Boston Whaler, Inc.

DWG. NO. PB275CQ22



48 (PORT)
49 (STBD)

UNLESS OTHERWISE SPECIFIED:
DIMENSIONS ARE IN INCHES
TOLERANCES
DECIMALS ANGULAR
± .005 ± .005
DO NOT SCALE DRAWING

**ASSEMBLY & PARTS
IDENT. DOCUMENT**

SCALE: NONE DRAWN: R. CRAVEN
DATE: 7/31/00 CHKD.:
DESIGN:
MFG.:
C

BOSTON WHALER
ENGINEERING DEPARTMENT

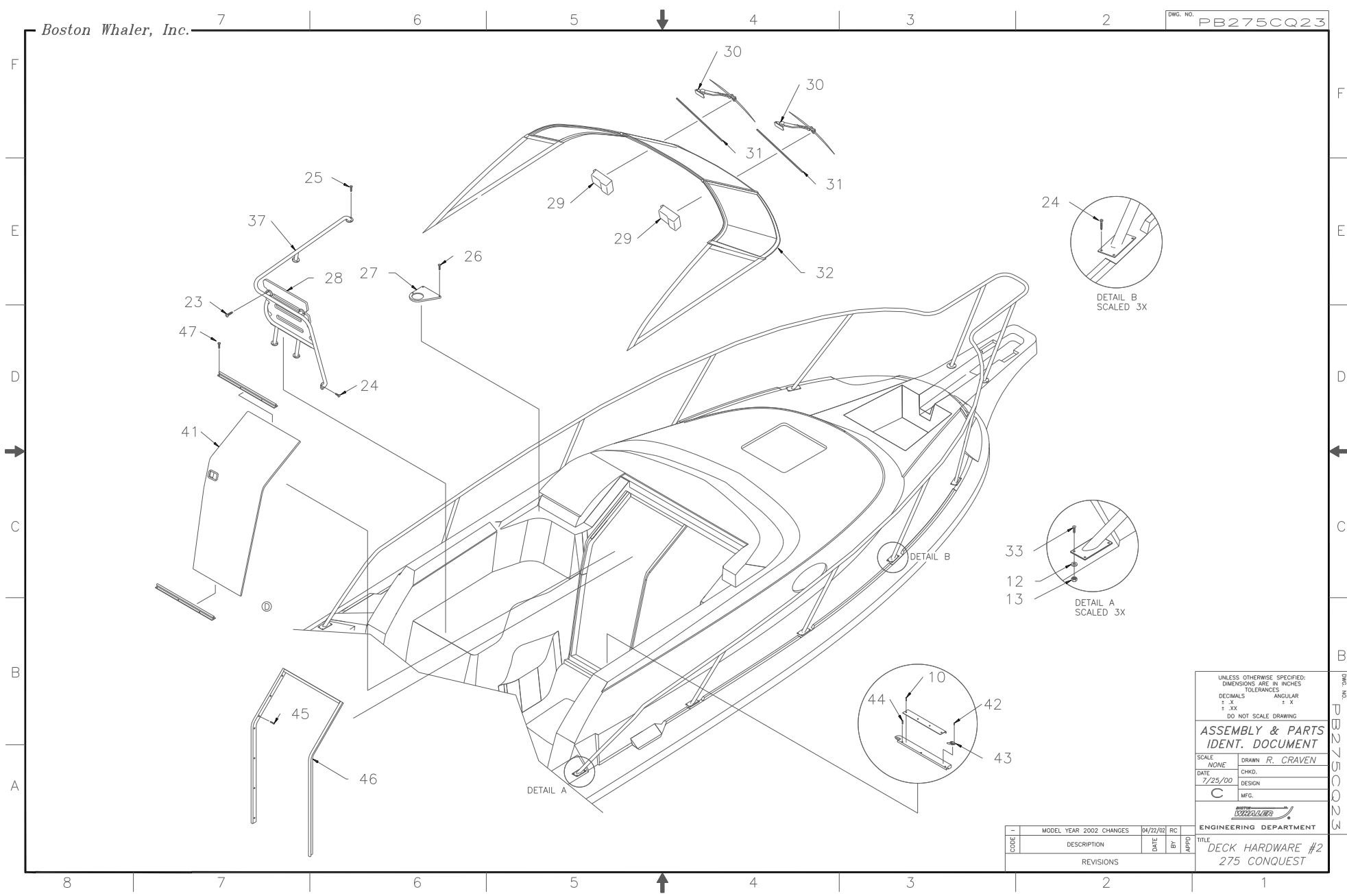
MODEL YEAR	2002 CHANGES	04/22/02	RC
CODE	DESCRIPTION	DATE	BY
REVISIONS			

TITLE
DECK HARDWARE #1
275 CONQUEST

DWG. NO. PB275CQ22

Boston Whaler, Inc.

DWG. NO. PB275CQ23



UNLESS OTHERWISE SPECIFIED:
 DIMENSIONS ARE IN INCHES
 TOLERANCES
 DECIMALS ANGULAR
 ± .X ± X
 ± .XX ± X
 DO NOT SCALE DRAWING

ASSEMBLY & PARTS IDENT. DOCUMENT

SCALE: NONE DRAWN: R. CRAVEN
 DATE: 7/25/00 CHKD.:
 DESIGN:
 C MFG.

ENGINEERING DEPARTMENT

CODE	DESCRIPTION	DATE	BY	APPROV
REVISIONS				

TITLE: DECK HARDWARE #2
 275 CONQUEST

DWG. NO. PB275CQ23

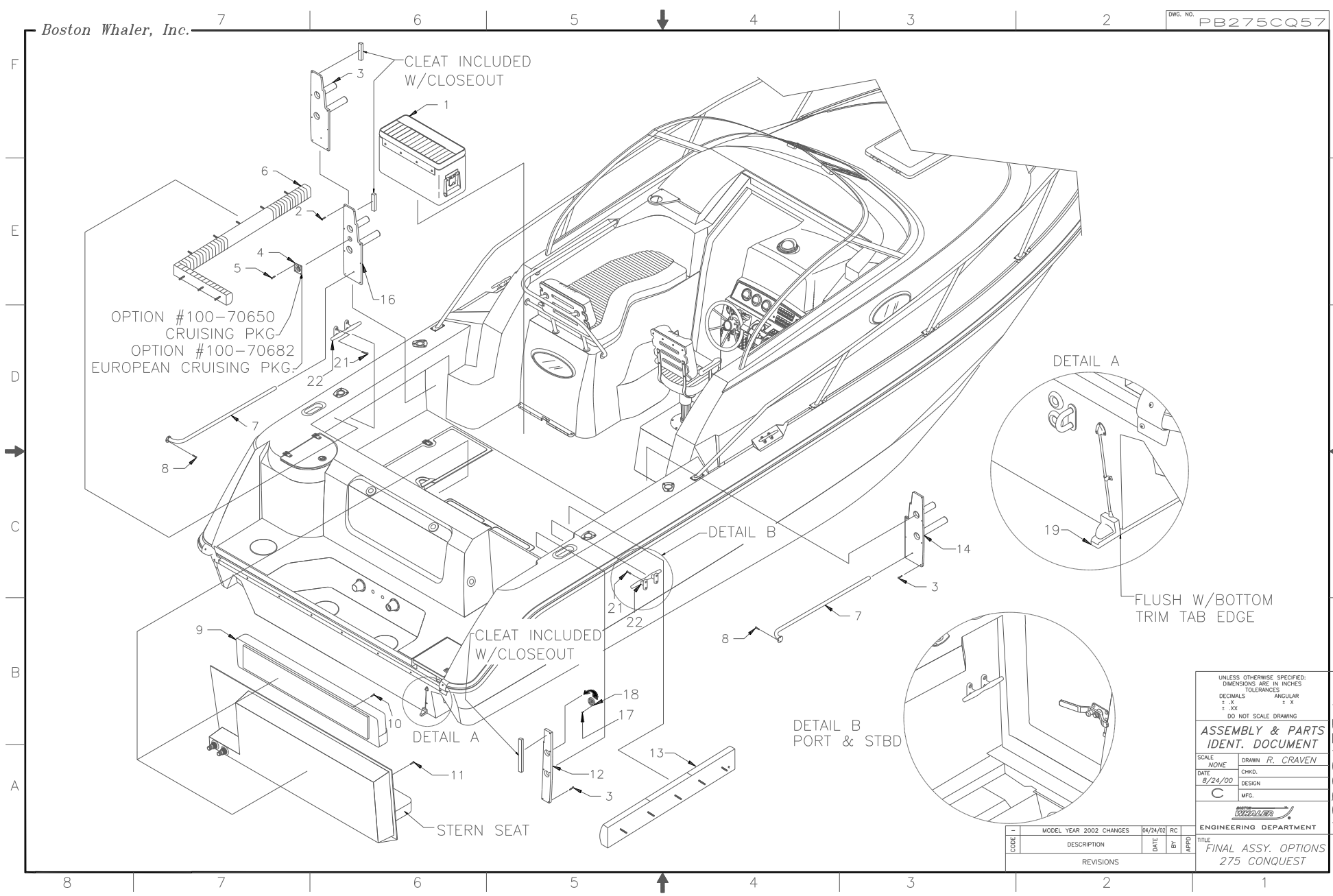
MODEL YEAR 2002 PARTS LIST

BOAT MODEL: 275 CONQUEST
DOCUMENT CONTROL NO: PB275CQ24

Item	Qty	U/M	DESCRIPTION	B.W.I	No.
1	1	EA	WINDLASS KIT, HORIZON 600	1331370	
2	4	EA.	SCREW, TAPPING #14A X 1" PFH SC	1008366	
3	1	EA.	CHAFE PLT, BW2600R-98 ANCHOR BOW PULPIT	1065200	
4	4	EA.	SCREW, TAPPING #6A X 3/4" PTH SC	1010917	
5	5	EA.	SCREW, MACHINE #1/4-20 X 1" PPH SC	1008580	
6	1	EA.	DAVIT, ANCHOR DAVIT W/ROLLER SS	1597319	
7	4	EA.	WASHER, LOCK/SPLIT 1/4" SS	0153668	
8	4	EA.	NUT, ACORN #1/4-20 SS	0152538	
9	1	EA.	CHAFE PLT, BW2600R-98 SS	1062843	
10	8	EA.	SCREW, TAPPING #8A X 3/4" POH SS	0150797	
11	14	EA.	SCREW, TAPPING #8A X 5/8" PTH SC	1010925	
12	9	EA.	WASHER, FLAT #1/4" SS	0152926	
13	9	EA.	NUT, LOCK #1/4-20 SC STD PATT	1009786	
14	12	EA.	SCREW, MACHINE #1/4-20 X 1" PFH SC	1009950	
15	3	EA.	CLEAT, 8" SS HVY DUTY HOLLOW BASE	1027010	
16	6	EA.	SCREW, TAPPING #4A X 3/4" PPH SS	0397182	
17	1	PR.	LIGHT, NAV SURF HORIZ MT CHR	0996496	
18	2	EA.	PORTLIGHT, ELLIPSE 6"X 16" SLVR W/O TRIM RING	1508720	
19	16	EA.	SCREW, MACHINE #8-32 X 3/4" PTH SC	1010735	
20	1	EA.	SCREEN, DECK HATCH 18X18	1028224	
21	1	EA.	HATCH, DECK 19.25X19.25	1028208	
22	1	EA.	BRACKET, LIFT CYL SS OFFSET W/STUD 2-HOLE	0995084	
23	6	EA.	SCREW, TAPPING #10A X 3/4" PTH SC	1008762	
24	41	EA.	SCREW, TAPPING #14A X 1" PPH SC	1008689	
25	12	EA.	SCREW, TAPPING #10A X 3/4" PTH SC	1008762	
26	3	EA.	SCREW, TAPPING #8A X 1.25" PPH SC	1010644	
27	1	EA.	HOLDER, HDPE BW260CQ-00 DRINK PORT	1329002	
28	1	EA.	SEAT, HDPE BW280CQ-98 B/R PORT SEAFM	1123769	
29	2	EA.	WIPER MOTOR, WTRPRF 80DEG 2.5"SHAFT	1176841	
30	2	EA.	WIPER ARM, 17"-22" SS PANTOGRAPH (UNIVERSAL)	0768697	
31	2	EA.	WIPER BLADE, 18" POLYMER BLK	1019975	
32	1	EA.	W/S, BW260CQ-00	1329507	
33	8	EA.	SCREW, MACHINE #1/4-20 X 1.25" PPH SS	0151746	
34	1	EA.	ANCHOR, LOCKER SUB-ASSY (SEE DWG)	22J99400	
35	1	EA.	CYLINDER, GAS SS 20PSI 10"EXT X 7"COMP	1384940	
37	1	EA	FRAME, BW260CQ-00 PORT SEAT B/R SS	1329374	
38	1	EA.	SHIM, HDPE 3/4" BW-01 WINDLASS HORIZON	1492164	
39	1	EA.	HORN, GRILL DUAL SS OVERLAY SERIES 84	1401736	
40	1	EA.	HORN, DUAL BLK W/SPADE CONNECTORS SERIES 84	1413475	
41	1	EA.	DOOR, HDPE/PLEX COMPANIONWAY	1328939	
42	4	EA.	SCREW, TAPPING #6 X 3/4" POH SC	1008564	
43	1	EA.	STOP, SLIDING DOOR/WINDOW CHR	0765800	
44	3	EA.	SCREW, TAPPING #10A X 1.25" PFH SS	0888263	
45	13	EA.	SCREW, TAPPING #10A X 1" POH SC	1008507	
46	1	SET	TRIM, PVC BW260CQ-00 COMPANIONWAY	1446566	
47	10	EA.	SCREW, TAPPING #8 x 3/4" PFH	1008408	
48	1	EA.	TRIM RING, PORTLIGHT 6"X 16" REG SLVR	1615178	
49	1	EA.	TRIM RING, PORTLIGHT 6"X 16" THICK SLVR	1615186	
50	2	EA.	SCREEN, PORTHOLD ELLIPSE BOMAR	1508738	
51	7	FT.	PORTLIGHT, GASKET 3/8" SATURATED FOAM	1615194	
52	8	EA.	NUT, BBL #10-24 x 3/8" FH	1040187	
53	1	EA	SCREW, MACHINE #10-24 x 1.75" PTH	1341973	
54	1	EA	STOP, DOOR HOLDER RBR BLUE	1142348	

Boston Whaler, Inc.

DWG. NO. PB275CQ57



OPTION #100-70650
CRUISING PKG.
OPTION #100-70682
EUROPEAN CRUISING PKG.

CLEAT INCLUDED
W/CLOSEOUT

CLEAT INCLUDED
W/CLOSEOUT

DETAIL A

DETAIL B

DETAIL B
PORT & STBD

FLUSH W/BOTTOM
TRIM TAB EDGE

UNLESS OTHERWISE SPECIFIED:
DIMENSIONS ARE IN INCHES
TOLERANCES
DECIMALS ANGULAR
± .X ± X
± .XX ± .XX
DO NOT SCALE DRAWING

**ASSEMBLY & PARTS
IDENT. DOCUMENT**

SCALE: NONE DRAWN: R. CRAVEN
DATE: 8/24/00 CHKD.:
DESIGN:
C MFG.

ENGINEERING DEPARTMENT

CODE	MODEL YEAR	CHANGES	DATE	RC	BY	APPROV
	2002		04/24/02			
REVISIONS						

TITLE: FINAL ASSY. OPTIONS
275 CONQUEST

DWG. NO. PB275CQ57

MODEL YEAR 2002 PARTS LIST

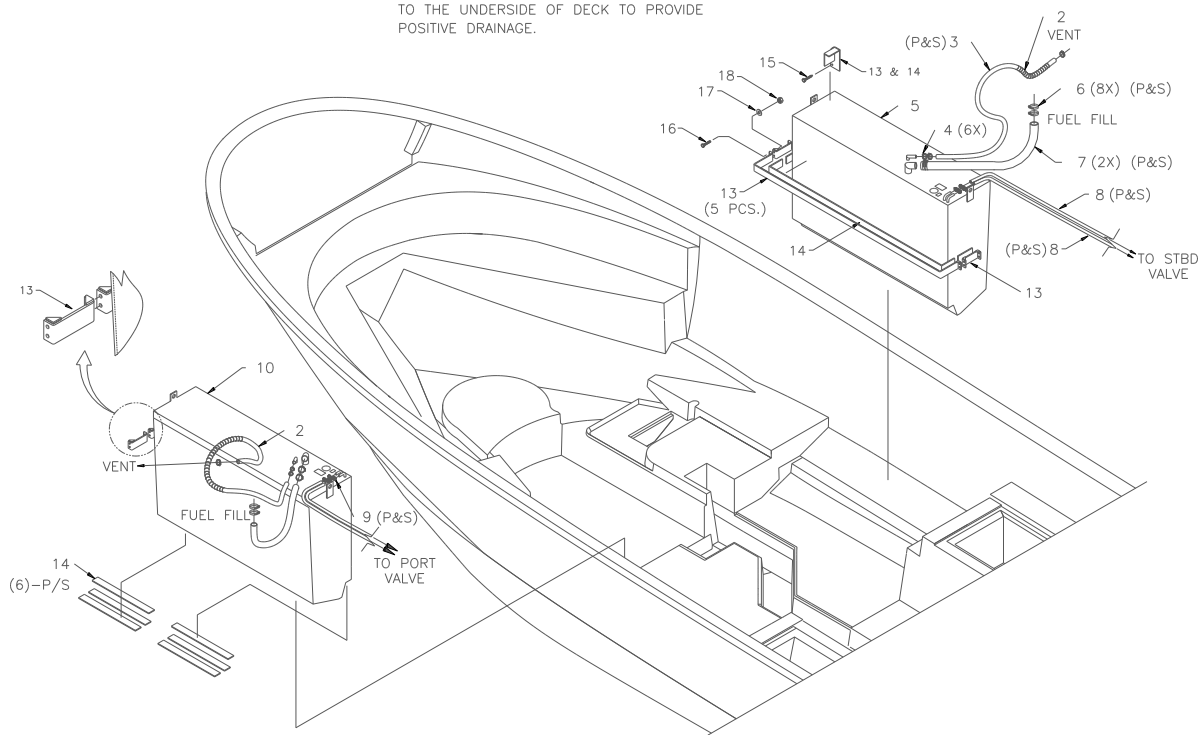
BOAT MODEL: 275 CONQUEST
DOCUMENT CONTROL NO: PB275CQ58

ITEM	QTY	U/M	DESCRIPTION	B.W.I.	NO.
1	1	EA.	COOLER, 54QT WHT	1016419	
2	7	EA.	SCREW, TAPPING #10A X 1" PTH SC	1008739	
3	3	EA.	PANEL, HDPE BW260CQ-00 CLSOUT PORT	1328913	
4	1	EA.	INLET, SHORE POWER SS 125V 30A (OPTION # 100-70650)	0133660	
5	4	EA.	SCREW, TAPPING #8A X 1" POH SS	0150805	
6	1	EA.	BOLSTER, BW260CQ-00 CKPT PORT	1329143	
7	2	EA.	RAIL, GRAB BW260CQ-00 TOE SS	1329214	
8	6	EA.	SCREW, TAPPING #8A X 1" PPH SS	0151076	
9	1	EA.	BOLSTER, BW260CQ-00 STERN SEAT B/R	1329168	
10	20	EA.	SCREW, TAPPING #8A X 3/4" PFH SC	1008408	
11	19	EA.	SCREW, TAPPING #10A X 1.5" PTH SC	1008747	
12	7	EA.	PANEL, HDPE BW260CQ-00 CLSOUT HLDR	1328921	
13	1	EA.	BOLSTER, BW260CQ-00 CKPT STBD	1329150	
14	1	EA.	PANEL, HDPE BW260CQ-00 CLSOUT R-HLD	1327949	
15	1	EA.	INLET, SHORE POWER SS 220V/50H 16A (OPTION #100-70682) NOT SHOWN	0641167	
16	1	EA.	PANEL, HDPE BW260CQ-01 CLSOUT PORT(OPTION #100-70650)	1507805	
17	8	EA.	SCREW, TAPPING #6 X 3/4" POH SC	1008564	
18	2	EA.	ROD HOLDER, PLAS 2"ID/3/16"DIAPHRAG	0860379	
19	1	EA.	ACC PART, MERC SPEEDOMETER/TEMP DIG	1477942	
20	25	EA.	SCREW, TAPPING #14A X 2" PTH SS	1008770	
21	8	EA.	SCREW, MACHINE #10-24 X 1" PFH SC	1009950	
22	2	EA.	CLEAT, 8" HVY DTY HOLLOW BASE	1027010	

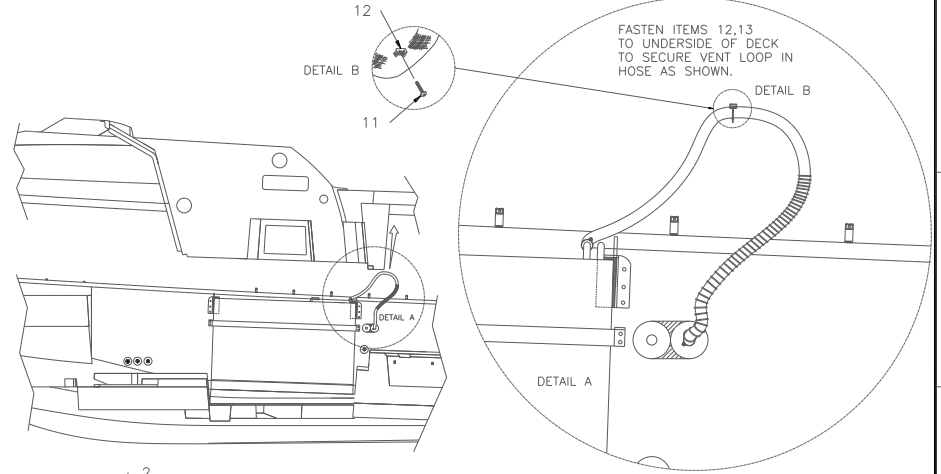
Boston Whaler, Inc.

DWG. NO. PB275CQ40

F
E
D
C
B
A



NOTE: VENT HOSE SHALL BE SECURED TO THE UNDERSIDE OF DECK TO PROVIDE POSITIVE DRAINAGE.



UNLESS OTHERWISE SPECIFIED:
DIMENSIONS ARE IN INCHES
TOLERANCES
DECIMALS ANGULAR
± .X ± X
± .XX ± .XX
DO NOT SCALE DRAWING

ASSEMBLY & PARTS IDENT. DOCUMENT

SCALE NONE DRAWN R. CRAVEN
DATE 8/7/00 CHKD.
DESIGN
C MFG.

ENGINEERING DEPARTMENT

CODE	MODEL YEAR	CHANGES	DATE	BY	RC	APPROV
	2002		04/24/02			

TITLE
FUEL TANK INSTALLATION
275 CONQUEST

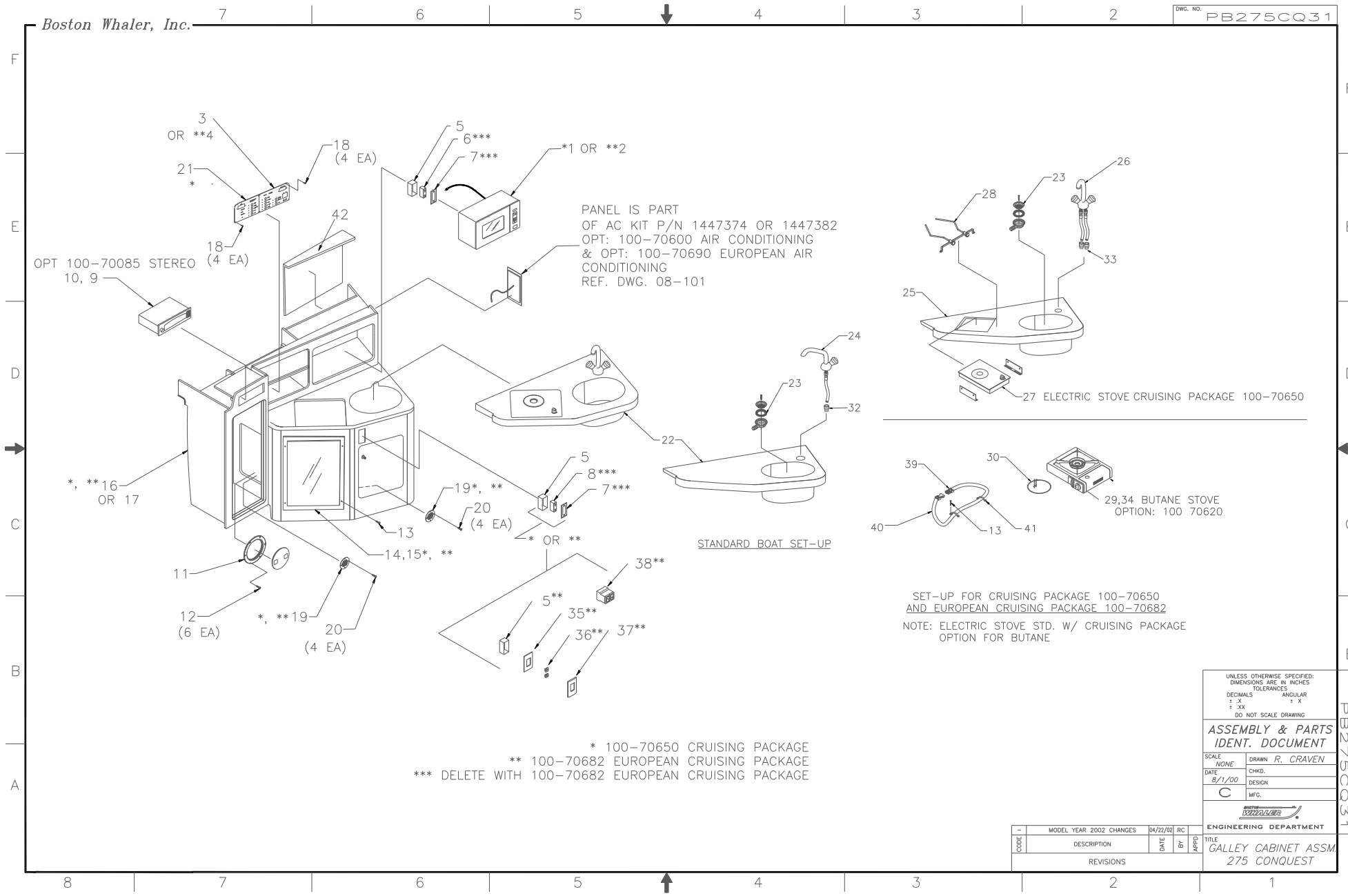
8 7 6 5 4 3 2 1

DWG. NO. PB275CQ40

MODEL YEAR 2002 PARTS LIST

BOAT MODEL:275 CONQUEST
DOCUMENT CONTROL NO: PB275CQ41

ITEM	QTY	U/M	DESCRIPTION	B.W.I.	NO.
1	12	EA.	RUBBER PAD, BW FUEL TANK 1/4"X 2"X 24"	1042449	
2			HOSE, FUEL 5/8" ISO/CE	0947499	
3	2	EA.	SPRING, VENT 1.05"X12" SS	1041367	
4	6	EA.	CLAMP, HOSE #10 1/2"-1 1/8" SS .50	0263954	
5	1	EA.	TANK, FUEL - BW 96GAL 260CQ-01 SADDLE	1569870	
6	8	EA.	CLAMP, HOSE #24 1"-2" SS .505	0256693	
7			HOSE, FUEL 1.5" TYPE A CLASS 2	0123745	
8			HOSE, FUEL 3/8", ISO/CE	1497486	
9	16	EA.	CLAMP, HOSE #06M 5/16"-7/8" SS MIN	0123398	
10	1	EA.	TANK, FUEL - BW 96GAL 260CQ-01 SADDLE PORT	1569862	
11	2	EA.	SCREW, TAPPING #8 X 1/2" PTH SC	1008812	
12	2	EA.	TIE CLIP, BLK	1031764	
13	2	EA.	STRAP, FUEL TANK	1553122	
14	35	FT.	TAPE, FOAM NEOPRENE 3/8" x 2"	1497452	
15	16	EA.	BOLT, LAG 3/8" x 1.5" SS HEX HD	1009703	
16	8	EA.	SCREW, CAP 3/8-16 x 1-1/2" HEX HD SS	152165	
17	8	EA.	WASHER, FLAT 3/8" SS	152959	
18	8	EA.	NUT, HEX NYLON LOCK 3/8-16UNC	1007798	



* 100-70650 CRUISING PACKAGE
 ** 100-70682 EUROPEAN CRUISING PACKAGE
 *** DELETE WITH 100-70682 EUROPEAN CRUISING PACKAGE

UNLESS OTHERWISE SPECIFIED:
 DIMENSIONS ARE IN INCHES
 TOLERANCES
 DECIMALS ANGULAR
 ± .X ± X
 ± .XX ± .XX
 DO NOT SCALE DRAWING

ASSEMBLY & PARTS IDENT. DOCUMENT

SCALE	NONE	DRAWN	R. CRAVEN
DATE	8/1/00	CHKD.	
		DESIGN	
		MFG.	

ENGINEERING DEPARTMENT

CODE	MODEL YEAR	CHANGES	DATE	BY	RC	APPROV
			04/22/02			
REVISIONS						

TITLE
 GALLEY CABINET ASSM
 275 CONQUEST

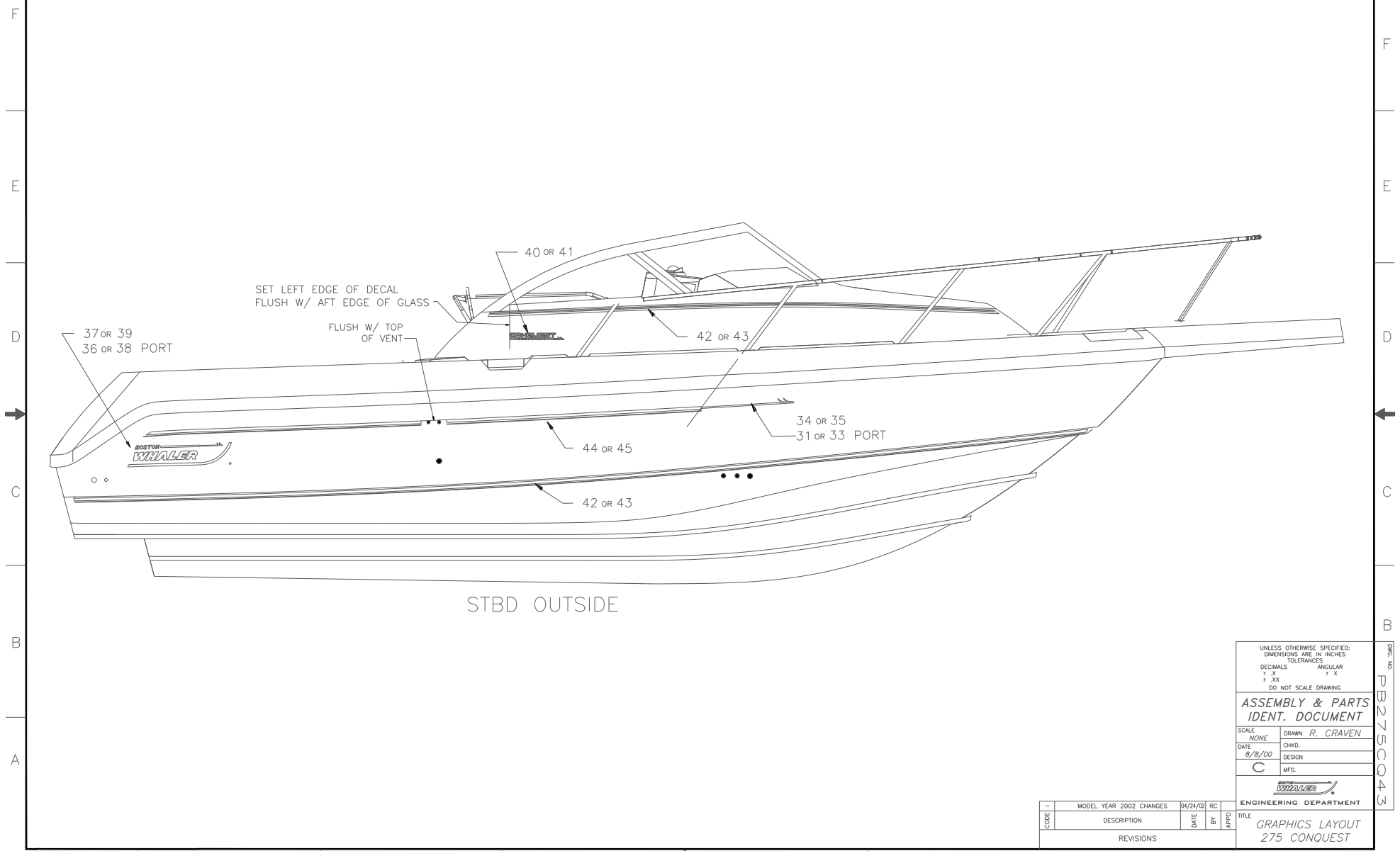
MODEL YEAR 2002 PARTS LIST

BOAT MODEL: 275 CONQUEST
DOCUMENT CONTROL NO: PB275CQ32

Item	Qty	U/M	DESCRIPTION	B.W.I. NO.
1	1	EA	MICROWAVE, GE 0.6CF WHT 115V/600W	1275486
2	1	EA	MICROWAVE, ELECTROLUX 0.5CF 220/50	876953
3	1	EA	PANEL, BW260CQ-00 MAIN DIST 120V	1364017
4	1	EA	PANEL, BW260CQ-00 MAIN DIST 220V	1364025
5	2	EA	BOX, RECEPTACLE BOX ONLY	145128
6	1	EA	RECEPTACLE, DUPLEX WHT	0324038
7	2	EA	COVER PLATE, SGL DUPLEX RECEPT WHT	258384
8	1	EA	RECEPTACLE, GFI DUPLEX WHT 15A	0258368
9	1	EA	STEREO, AM/FM CD PLAYER W/CHANGER C	1459155
10	1	EA	CABLE, CLARION REMOTE EXTENSION CAB	1312750
11	1	EA	ACCESS PLATE, POLYPROP TWIST-OUT 6"	1241843
12	6	EA	SCREW, TAPPING #8A X 1/2" PFH SC	1008390
13	4	EA	SCREW, TAPPING #8A X 3/4" POH SS	0150797
14	1	EA	REFRIGERATOR, 1.6 CF 12V ONLY	1473891
15	1	EA	MICA, P/C BW260CQ-00 REFRIGERATOR DOOR MAPLE	1453075
16	1	EA	CABINET, BW260CQ-00 GALLEY LWR W/REFRIGERATOR	1367739
17	1	EA	CABINET, BW260CQ-00 GALLEY	1327907
18	12	EA	SCREW, TAPPING #6A X 1/2" PTH SC	1008796
19	2	EA	VENT, LOCKER VENTILATOR 3.25" CHR	641076
20	8	EA	SCREW, TAPPING #6A X 1/2" PTH SC	1008796
21	1	EA	PANEL, BW260CQ-00 DC DIST	1364009
22	1	EA	FBRGLS PART, BW260CQ-00 COUNTER TOP GALLEY	1329085
23	2	EA	DRAIN ASSY, FLUSH MNT W/1" HOSE BARB	0886200
24	1	EA	FAUCET, CHR SWIVEL SPOUT COLD WATER	1347194
25	1	EA	FBRGLS PART, BW260CQ-00 COUNTER TOP ELEC	1329077
26	1	EA	FAUCET, MIX W/HVY DTY SPOUT	1082098
27	1	EA	STOVE, ELEC 1-BURNER CARIBBEAN COOKTOP 110	1494418
28	1	EA	BRACKET, MNT KIT PERM ELECTRIC STOVE SEA RAIL	1494475
29	1	EA	STOVE, BUTANE SGL BURNER PORTABLE BLK	1090703
30	1	EA	HOLDER, STOVE 9" PORTABLE BUTANE	1129915
31	1	EA	SHELF, HDPE BW280CQ-98 STOVE BUTANE	1129915
32	1	EA	ADAPTER, WHALE 1/2" F 15MM BRASS	1137041
33	2	EA	ADAPTER, WHALE 3/8" F 15MM BRASS	1212646
34	1	EA	MOUNT, BW-01 SUCTION CUP KIT	1550847
35	1	EA	FRAME, SUPPORT 2-GANG GRID ONLY	1212851
36	2	EA	RECEPTACLE, GEWISS SGL USA/EURO	1458462
37	1	EA	COVER PLATE, 2-GANG MODULE CHR	1212935
38	1	EA	BRKR, 8000 SERIES 28 EURO GFCI 16A 10MA	0975052
39	1	EA	UPH PARTS, BUCKLE 1" SIDE RELEASE	0871004
40	38	IN.	WEBBING, BW-97 STRAP NYLON 1"	1030105
41	2	EA	BRACKET, MNT KIT PERM ELECTRIC STOVE SEA RAIL	1042837
42	27	IN	VINYL, ALLANTE II SEA OYSTER EXP 1/4" F/B DOW	0986810

Boston Whaler, Inc.

DWG. NO. PB275CQ43



STBD OUTSIDE

UNLESS OTHERWISE SPECIFIED:
 DIMENSIONS ARE IN INCHES
 TOLERANCES
 DECIMALS ANGULAR
 ± .X ± X
 ± .XX ± .X
 DO NOT SCALE DRAWING

**ASSEMBLY & PARTS
 IDENT. DOCUMENT**

SCALE: NONE DRAWN: R. CRAVEN
 DATE: 8/8/00 CHKD.:
 C DESIGN:
 MFG.:

BOSTON WHALER
 ENGINEERING DEPARTMENT

TITLE: GRAPHICS LAYOUT
 275 CONQUEST

CODE	MODEL YEAR	CHANGES	DATE	BY	RC
	2002		04/24/02		
REVISIONS					

DWG. NO. PB275CQ43

Boston Whaler, Inc.

DWG. NO. PB275CQ52

PART #1016153

Ø5.50 CUTOUT

12

10

VINYL TRACK

31 (RED) OR (BLUE)
OPT:100-70525
WEATHER CURTAIN (HARD TOP)

30 (RED) OR (BLUE)
OPT:100-70525
WEATHER CURTAIN (HARD TOP)

29 (RED) OR (BLUE)
OPT:100-70525
WEATHER CURTAIN (HARD TOP)

UNLESS OTHERWISE SPECIFIED:
DIMENSIONS ARE IN INCHES
TOLERANCES
DECIMALS ANGULAR
± .X ± X
± .XX ± .XX
DO NOT SCALE DRAWING

ASSEMBLY & PARTS
IDENT. DOCUMENT

SCALE: NONE DRAWN: R. CRAVEN
DATE: 8/15/00 CHKD.:
DESIGN:
C MFG.:

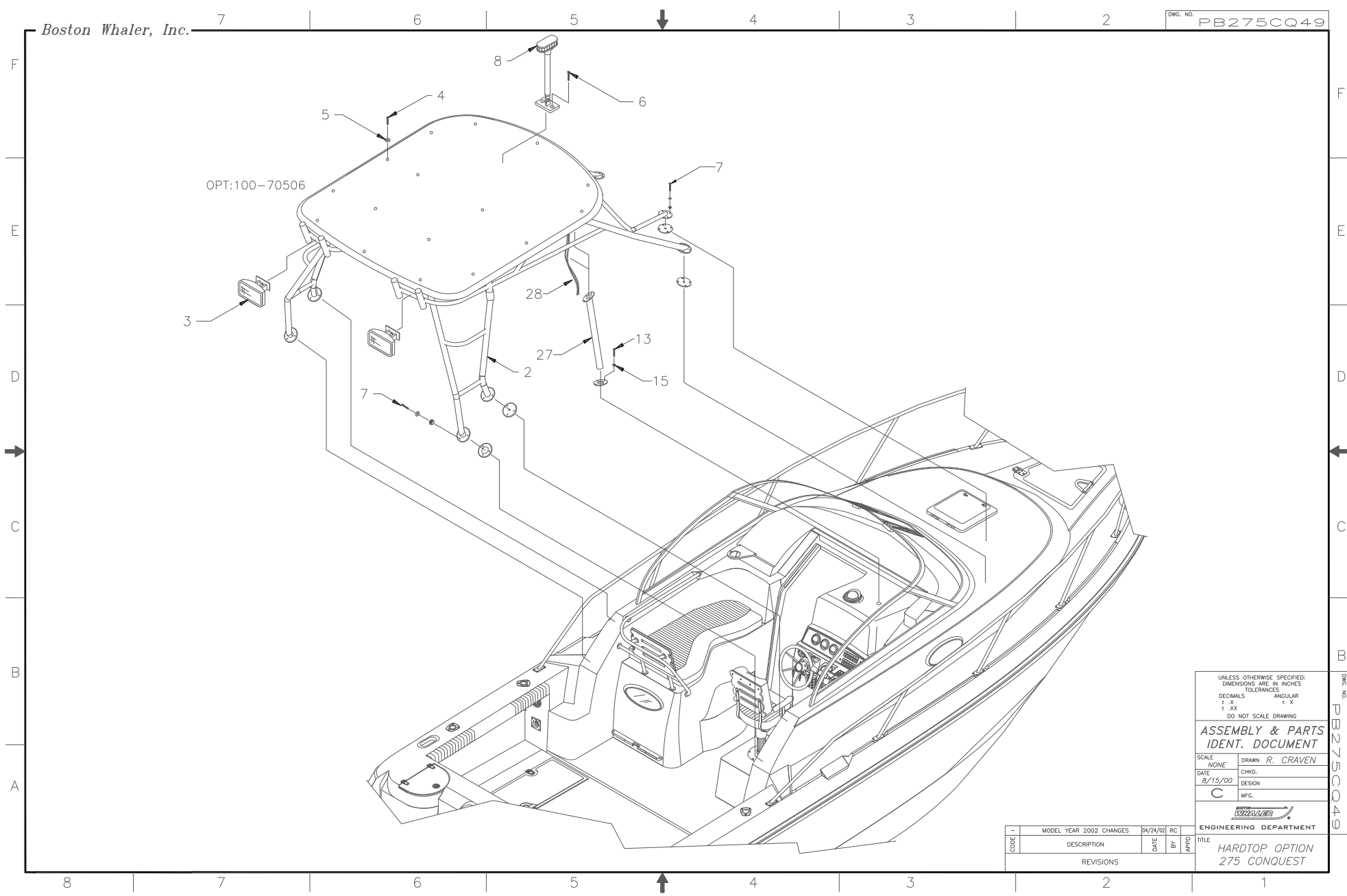
ENGINEERING DEPARTMENT

CODE	MODEL YEAR	CHANGES	DATE	BY	RC	APPROV	TITLE
			04/24/02				H-TOP/CURTAIN OPTION
							275 CONQUEST
REVISIONS							

DWG. NO. PB275CQ52

Boston Whaler, Inc.

DWG. NO. PB275CQ49



UNLESS OTHERWISE SPECIFIED:
 DIMENSIONS ARE IN INCHES
 TOLERANCES
 DECIMALS ANGULAR
 ± .X ± X
 ± .XX ± X
 DO NOT SCALE DRAWING

**ASSEMBLY & PARTS
 IDENT. DOCUMENT**

SCALE: NONE DRAWN: R. CRAVEN
 DATE: 8/15/00 CHKD.:
 DESIGN:
 MFG.:

ENGINEERING DEPARTMENT

TITLE: **HARDTOP OPTION
 275 CONQUEST**

CODE	MODEL YEAR	CHANGES	DATE	BY	RC
	2002		04/24/02		
REVISIONS					

DWG. NO. PB275CQ49

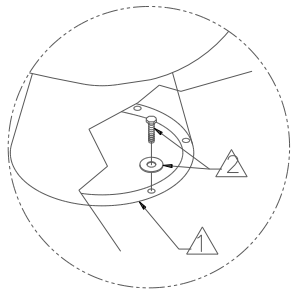
MODEL YEAR 2002 PARTS LIST

BOAT MODEL: 275 CONQUEST
DOCUMENT CONTROL NO: PB275CQ53

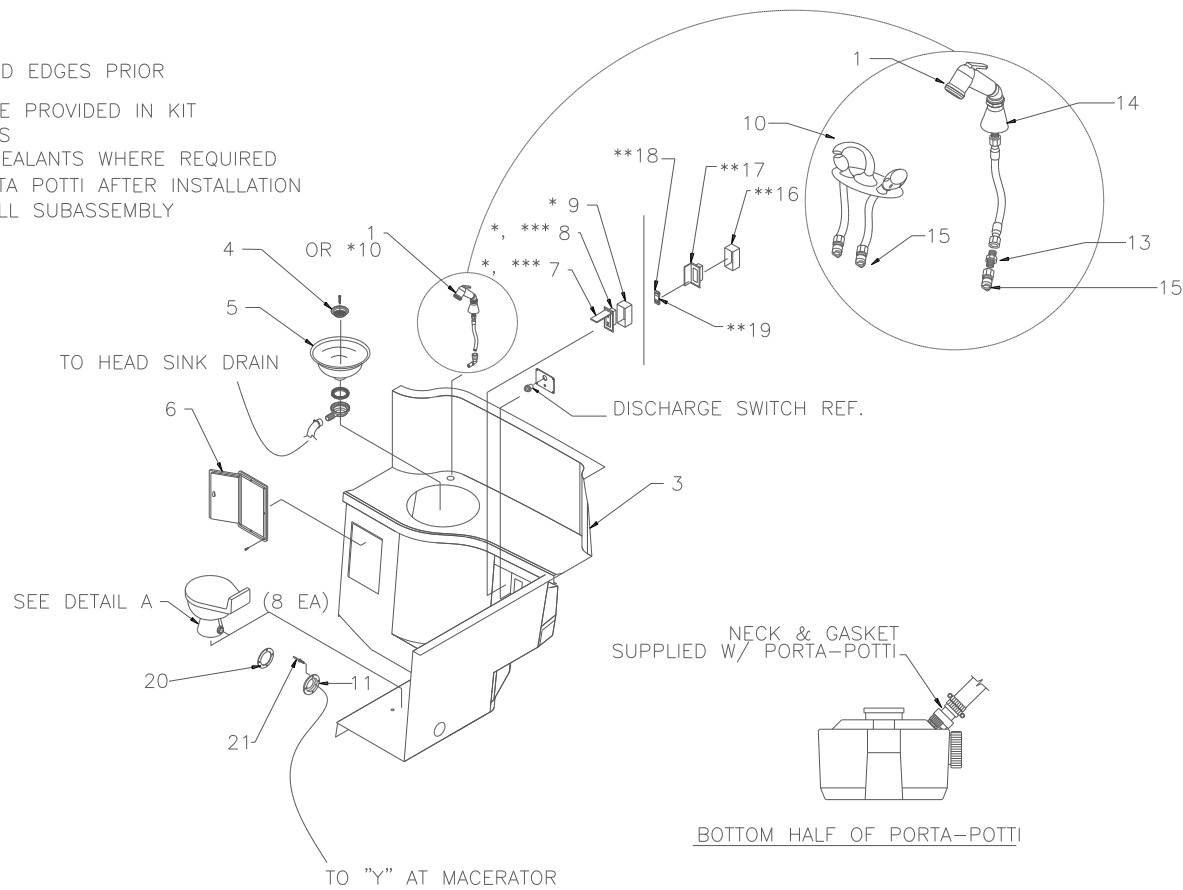
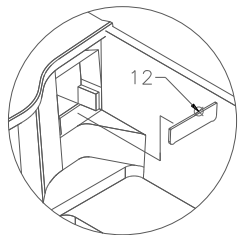
Item	Qty	U/M	DESCRIPTION	B.W.I	No.
1	1	EA.	FIBERGLASS PART, HARDTOP	1326750	
2	1	EA.	FRAME, H/TOP BRUSHED FINISH	1329473	
3	2	EA.	LIGHT, HALOGEN 12V FLOOD 4" x 6" BLK	1040047	
4	16	EA.	SCREW, MACHINE 1/4"-20 x1.5 PPH SC	1008598	
5	16	EA.	WASHER, FENDER 1/4" x 1.25" SS	189365	
6	1	EA.	SCREW, TAPPING #10A x 3/4" PTH SC	1008762	
7	28	EA.	SCREW, MACHINE 1/4"-20 x 2.5 PPH SC	1010594	
8	1	EA.	LIGHT,NAV MASTHEAD COMBO VERT MT	1122563	
9	1	EA.	PANEL, SWITCH HARDTOP	1443613	
10	1	EA.	FUSE BLOCK, 6-GANG 20 AMP	996298	
11	1	EA.	LIGHT, SGL DOME FLUSH MNT SS	1041268	
12	1	EA.	PANEL, ELECTRICAL HARDTOP	1443605	
13	4	EA.	SCREW, MACHINE 1/4"-20 x 3/4" PPH SC	151720	
15	4	EA.	NUT, LOCK 1/4"-20 SC	1009786	
16	1	EA.	CANVAS, H/T DROP CURTAIN (VINYL RAIL EXTRUSION)	1326792	
17	36	EA.	RIVET, POP/BLIND #1/8 x 3/8" ALUMINUM	192047	
18	12	EA.	SCREW, TAPPING #10A x 1" POH SC	1008507	
19	1	EA.	LABEL, BW WARNING CARBON MONOXIDE	1110675	
20	4	EA.	SCREW, TAPPING 1/2" PTH SC	1008796	
21	1	EA.	FRAME, BW275CQ-02 H/TOP W/RADIAL OUTRIGGERS	1623446	
22	1	PR	OUTRIGGER, POLES 16'	1614270	
23	1	EA.	CANVAS, BW275CQ-02 BIM TOP VISOR CURT RED	1628924	
	1	EA.	CANVAS, BW275CQ-02 BIM TOP VISOR CURT BLUE	1628932	
24	1	PR	CANVAS, BW275CQ-02 BIM TOP SIDE CURT SET RED	1628940	
	1	PR	CANVAS, BW275CQ-02 BIM TOP SIDE CURT SET BLUE	1628957	
25	1	EA.	CANVAS, BW275CQ-02 BIM TOP DROP CURT RED	1628890	
	1	EA.	CANVAS, BW275CQ-02 BIM TOP DROP CURT BLUE	1628908	
26	1	EA.	CANVAS, BIM TOP w/BOOT	1326859	
27	1	EA.	RIGGING TUBE, HARDTOP	1447408	
28	1	EA.	HARNESS, HARDTOP	1446715	
29	1	EA.	CANVAS, BW275CQ-02 H/T DROP CURT RED	1628965	
	1	EA.	CANVAS, BW275CQ-02 H/T DROP CURT BLUE	1628973	
30	1	EA.	CANVAS, BW275CQ-02 H/T SIDE CURT SET RED	1629005	
	1	EA.	CANVAS, BW275CQ-02 H/T SIDE CURT SET BLUE	1629013	
31	1	EA.	CANVAS, BW275CQ-02 H/T VISOR CURT RED	1628981	
	1	EA.	CANVAS, BW275CQ-02 H/T VISOR CURT BLUE	1628999	

NOTES:

- ▲ APPLY BOSTIC AROUND EDGES PRIOR TO INSTALLATION
- ▲ BOLTS & WASHERS ARE PROVIDED IN KIT
- 3 TIGHTEN ALL FASTENERS
- 4 APPLY SILICONE AND SEALANTS WHERE REQUIRED
- 5 INSTALL HEAD OR PORTA POTTI AFTER INSTALLATION OF HEAD/SHOWER STALL SUBASSEMBLY



DETAIL A



*OPT: 100-70650 CRUISING PACKAGE
 **OPT: 100-70682 EUROPEAN CRUISING PACKAGE
 *** DELETE WITH OPT: 100-70682 EUROPEAN CRUISING PACKAGE

UNLESS OTHERWISE SPECIFIED:
 DIMENSIONS ARE IN INCHES
 TOLERANCES
 DECIMALS ANGULAR
 ± .X ± X
 ± .XX ± .XX
 DO NOT SCALE DRAWING

ASSEMBLY & PARTS IDENT. DOCUMENT

SCALE: NONE DRAWN: R. CRAVEN
 DATE: 8/07/00 CHKD.:
 C DESIGN:
 MFG.

BOSTON WHALER
 ENGINEERING DEPARTMENT

CODE	DESCRIPTION	DATE	BY	APPROV
-	MODEL YEAR 2002 CHANGES	04/22/02	RC	
REVISIONS				

TITLE: HEAD ASSEMBLY
 275 CONQUEST

DWG. NO. PB275CQ33

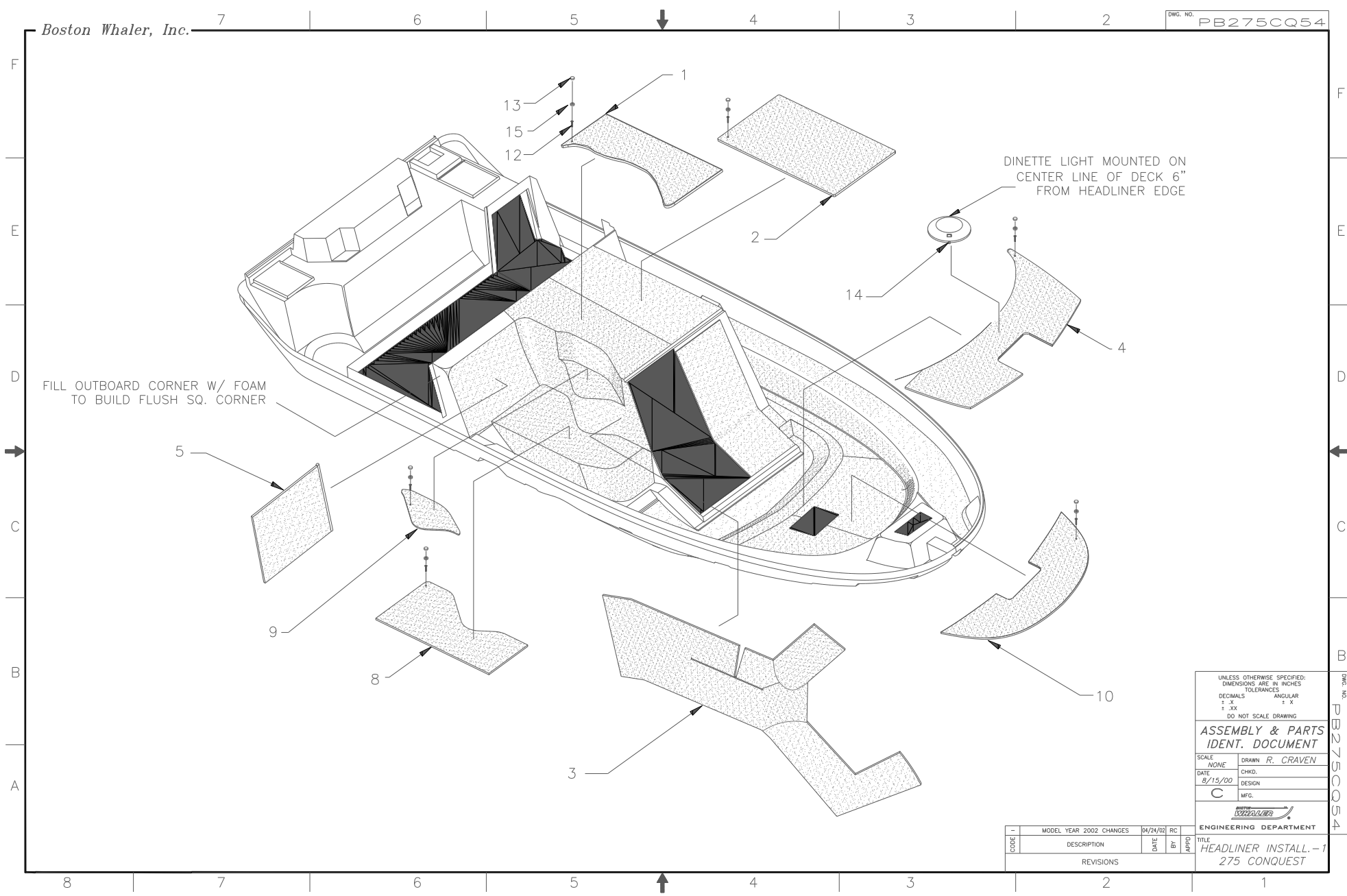
MODEL YEAR 2002 PARTS LIST

BOAT MODEL: 275 CONQUEST
DOCUMENT CONTROL NO: PB275CQ34

Item	Qty	U/M	DESCRIPTION	B.W.I. NO.
1	1	EA	SHOWER, SPRAY NOZZLE ANGLE BASE W/CHR HOSE	1612910
2	12	EA	SCREW, TAPPING #8A X 1/2" PTH SC	1008812
3	1	EA	HEAD INTERIOR UNIT, 26' CQ	22J99300
4	1	EA	DRAIN ASSY, FLUSH MNT W/1" HOSE BARB	1485648
5	1	EA	SINK, SS GALLEY/HEAD SATIN FINISH	0623892
6	1	EA	DOOR, PLAS BW260CQ-00 11"X 15" MARINE WHT	1451707
7	1	EA	COVER PLATE, SS GFI DUPLEX WATERPROOF RECEPT	1128156
8	1	EA	RECEPTACLE, DUPLEX WHT	0324038
9	1	EA	BOX, RECEPTACLE BOX ONLY	0145128
10	1	EA	SHOWER, FAUCET W/5'PULL OUT SPRAY HOSE CHR	1448257
11	1	EA	BOOT, CABLE 3" BLK	1043223
12	1	EA	HOLDER, PLEX BW260CQ-00 VANITY SHELF	1445683
13	1	EA.	NIPPLE, BRASS 3/8"MPT X HEX	1244441
14	1	EA.	SHOWER, SPRAY NOZZLE ANGLE BASE W/WHT HOSE	785246
15	3	EA.	ADAPTER, BRASS WHALE 3/8"F-15MM	1212646
16	1	EA	BOX, MOUNTING 3-MODULE RECT BLK	1341791
17	1	EA.	COVER PLATE, WATERPROOF RECEPT w/GRID 3-GANG	1538727
18	2	EA.	RECEPTACLE, GEWISS SGL USA/EURO 125/250V	1458462
19	1	EA.	SWITCH, BLANK GEWISS 1-GANG	1212893
20	1	EA.	BOOT, CABLE RING 3" BLK	1043330
21	6	EA.	RIVET, POP/BLIND #3/16 X 5/8" ALUM	0189415

Boston Whaler, Inc.

DWG. NO. PB275CQ54



FILL OUTBOARD CORNER W/ FOAM TO BUILD FLUSH SQ. CORNER

DINETTE LIGHT MOUNTED ON CENTER LINE OF DECK 6" FROM HEADLINER EDGE

UNLESS OTHERWISE SPECIFIED:
DIMENSIONS ARE IN INCHES
TOLERANCES
DECIMALS ANGULAR
± .X ± X
± .XX ± .X
DO NOT SCALE DRAWING

ASSEMBLY & PARTS IDENT. DOCUMENT

SCALE: NONE DRAWN: R. CRAVEN
DATE: 8/15/00 CHKD.:
DESIGN:
C MFG.:

BOSTON WHALER
ENGINEERING DEPARTMENT

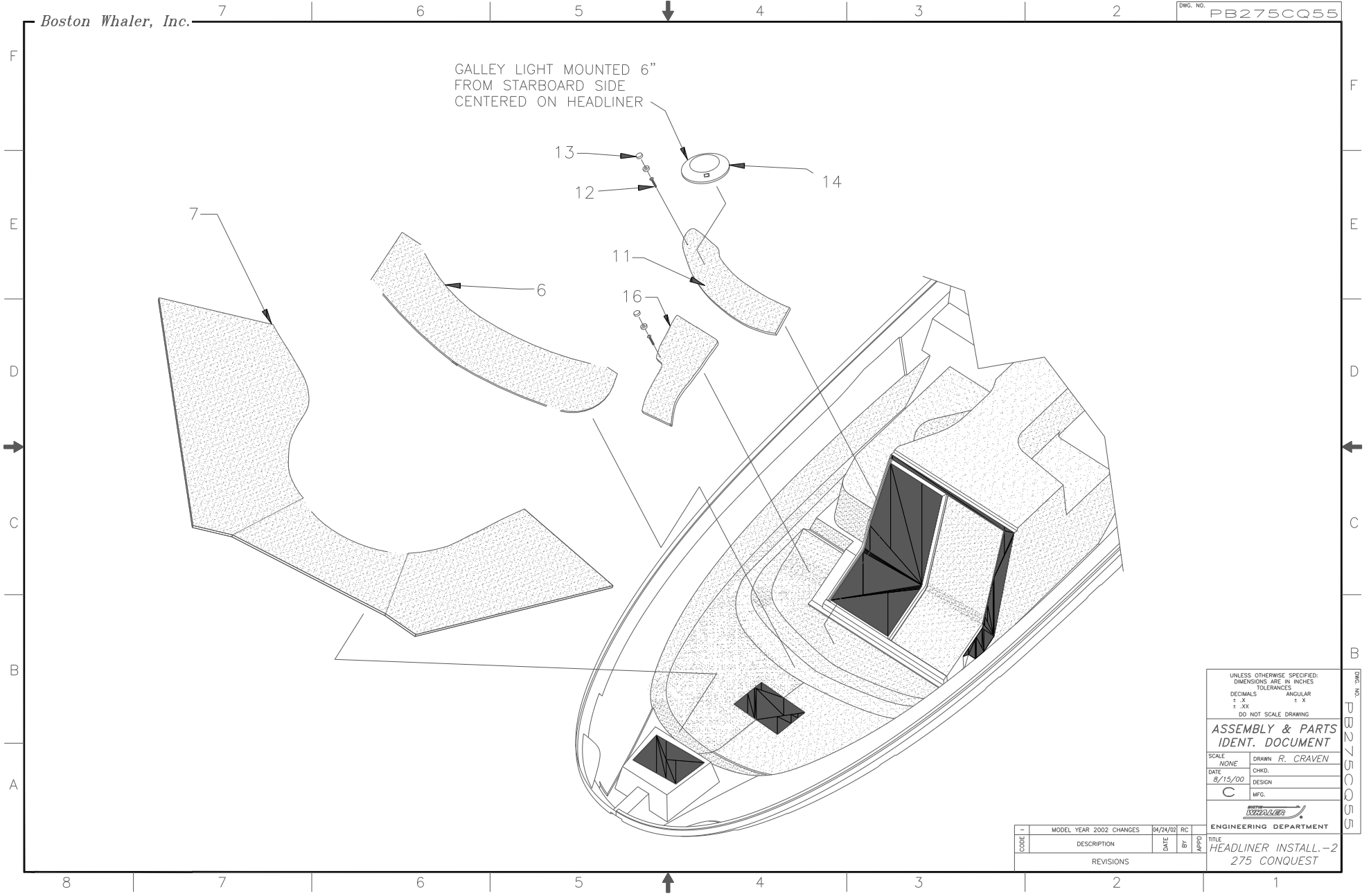
TITLE: HEADLINER INSTALL.-1
275 CONQUEST

CODE	DESCRIPTION	DATE	BY	APPROV
	MODEL YEAR 2002 CHANGES	04/24/02	RC	
REVISIONS				

Boston Whaler, Inc.

DWG. NO. PB275CQ55

GALLEY LIGHT MOUNTED 6"
FROM STARBOARD SIDE
CENTERED ON HEADLINER



UNLESS OTHERWISE SPECIFIED:
DIMENSIONS ARE IN INCHES
TOLERANCES
DECIMALS ANGULAR
± .X ± X
± .XX ± .X
DO NOT SCALE DRAWING

**ASSEMBLY & PARTS
IDENT. DOCUMENT**

SCALE: NONE DRAWN: R. CRAVEN
DATE: 8/15/00 CHKD.:
DESIGN:
C MFG.:



ENGINEERING DEPARTMENT

CODE	MODEL YEAR	2002 CHANGES	DATE	BY	RC	APPROVED
			04/24/02			
REVISIONS						

TITLE: HEADLINER INSTALL. - 2
275 CONQUEST

DWG. NO. PB275CQ55

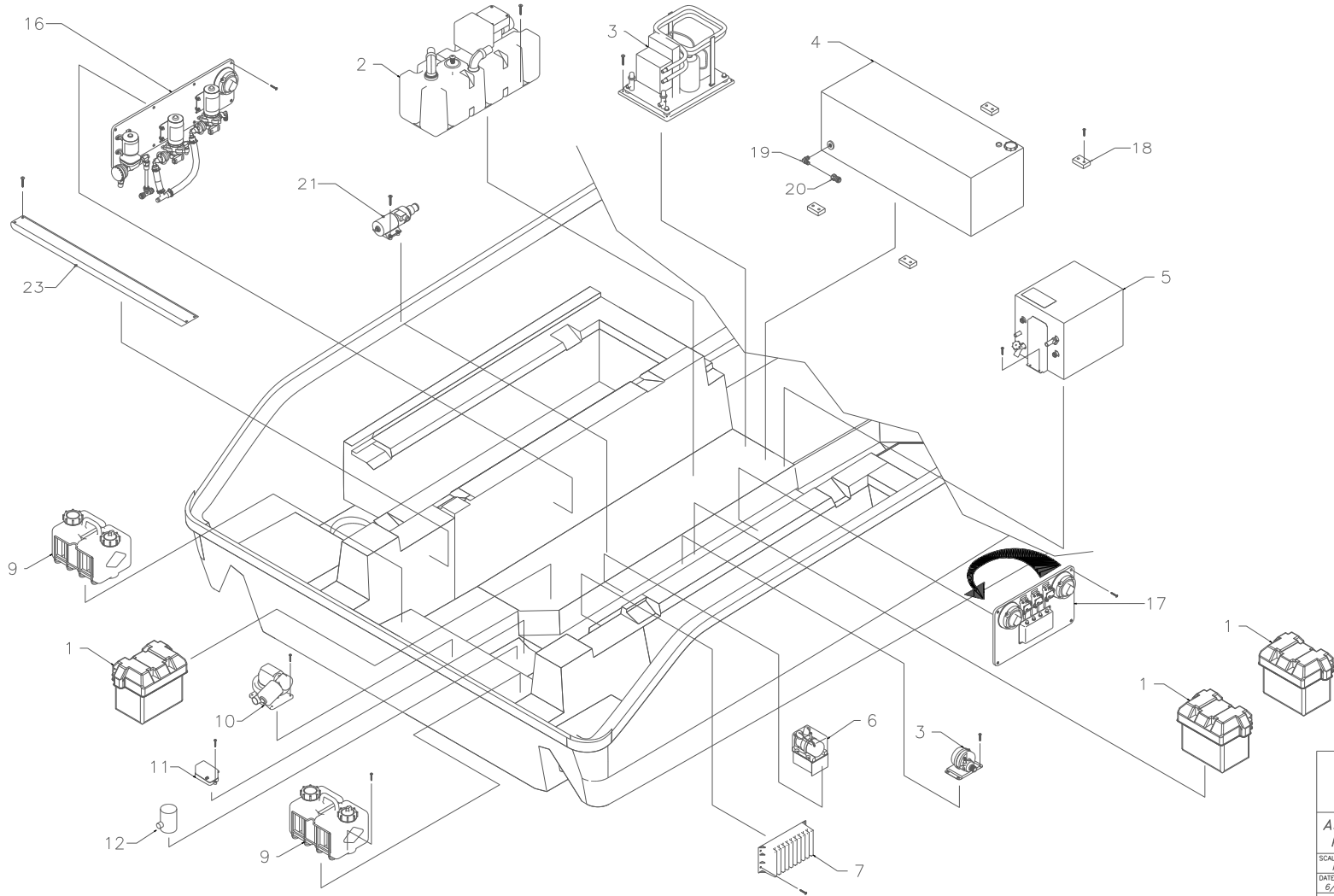
MODEL YEAR 2002 PARTS LIST

BOAT MODEL: 275 CONQUEST
DOCUMENT CONTROL NO: PB275CQ56

Item	Qty	U/M	Description	B.W.I. NO.
1	1	EA.	CUSH, HEADLINER MIDCABIN	1329267
2	1	EA.	CUSH, HEADLINER MIDCABIN STBD.	1329275
3	1	EA.	CUSH, HEADLINER MIDCABIN	1329291
4	1	EA.	CUSH, HEADLINER CENTER AFT	1329242
5	1	EA.	CUSH, HEADLINER CABIN AFT	1486232
6	1	EA.	CUSH, HEADLINER GALLEY	1329366
7	1	EA.	CUSH, HEADLINER DINETTE	1329309
8	1	EA.	CUSH, HEADLINER MIDCABIN PORT	1395771
9	1	EA.	CUSH, HEADLINER UNDER PASS F/REST	1395789
10	1	EA.	CUSH, HEADLINER CENTER	1329226
11	1	EA.	CUSH, HEADLINER MIDCABIN ENTRY	1538784
12	36	EA.	SCREW, TAPPING #10 x 3/4" PTH SC	1008762
13	36	EA.	SNAP CAP, PLAS WHEAT MATTE	1139500
14	2	EA.	LIGHT, INTERIOR 4" BEIGE SURF	1131572
15	36	EA.	SNAP CAP, PLAS CLEAR WASHER	1246727
16	1	EA.	CUSHION, HEADLINER	1329218

Boston Whaler, Inc.

DWG. NO. PB275CQ1



UNLESS OTHERWISE SPECIFIED:
 DIMENSIONS ARE IN INCHES
 TOLERANCES
 DECIMALS ANGULAR
 ± .X ± X
 ± .XX ± .XX
 DO NOT SCALE DRAWING

**ASSEMBLY & PARTS
 IDENT. DOCUMENT**

SCALE: NONE DRAWN: R. CRAVEN
 DATE: 6/27/00 CHKD.:
 DESIGN:
 C MFG.

ENGINEERING DEPARTMENT

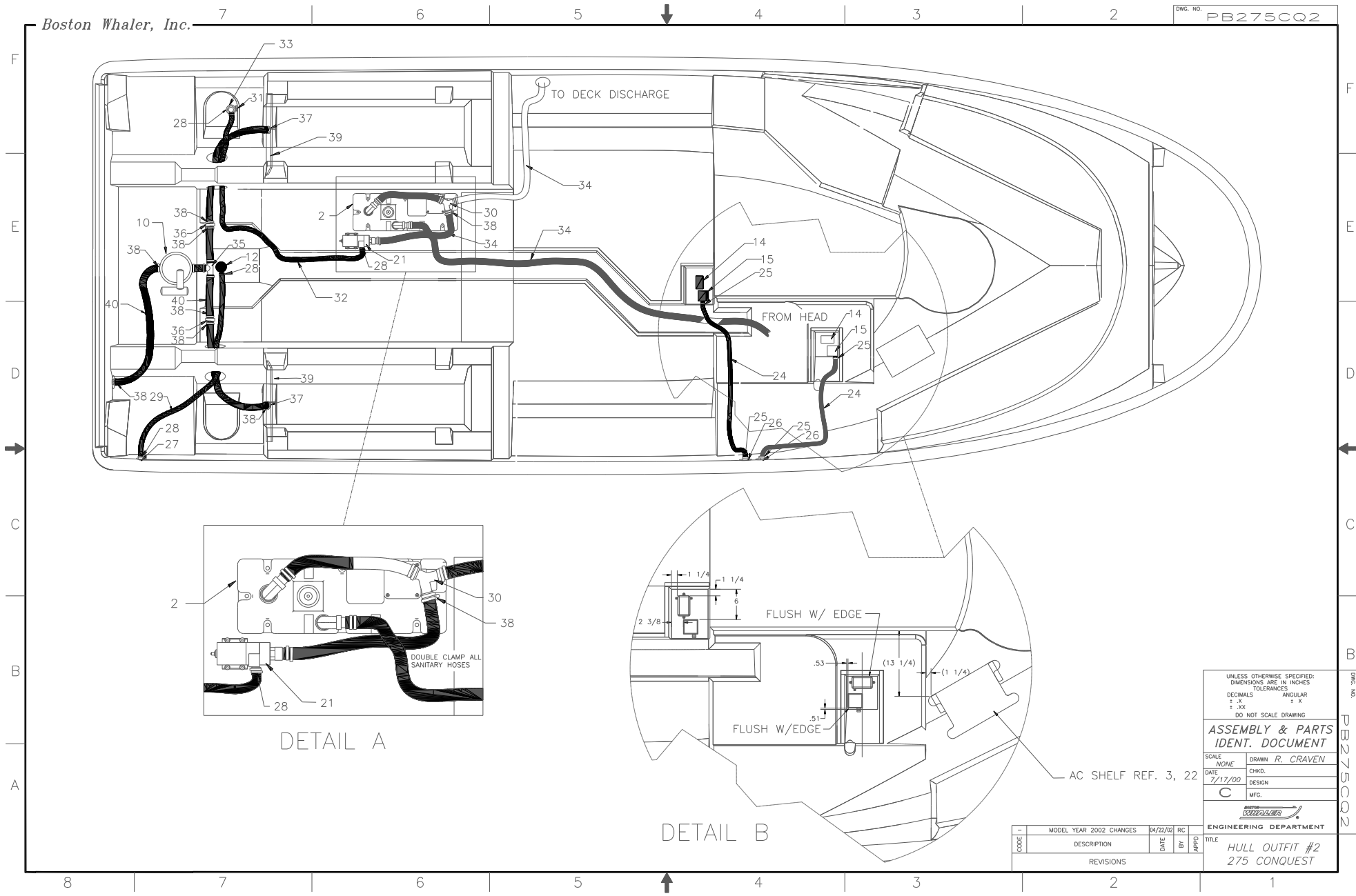
TITLE: HULL OUTFIT #1
 275 CONQUEST

CODE	MODEL YEAR	CHANGES	DATE	BY	RC
			04/22/02		
REVISIONS					

DWG. NO. PB275CQ1

Boston Whaler, Inc.

DWG. NO. PB275CQ2



DETAIL A

DETAIL B

UNLESS OTHERWISE SPECIFIED:
 DIMENSIONS ARE IN INCHES
 TOLERANCES
 DECIMALS ANGULAR
 ± .X ± X
 ± .XX ± X
 DO NOT SCALE DRAWING

ASSEMBLY & PARTS IDENT. DOCUMENT

SCALE: NONE DRAWN: R. CRAVEN
 DATE: 7/17/00 CHKD.:
 C DESIGN:
 MFG.

AC SHELF REF. 3, 22

CODE	MODEL YEAR	2002 CHANGES	04/22/02	RC

ENGINEERING DEPARTMENT

TITLE: HULL OUTFIT #2
 275 CONQUEST

DWG. NO. PB275CQ2

MODEL YEAR 2002 PARTS LIST

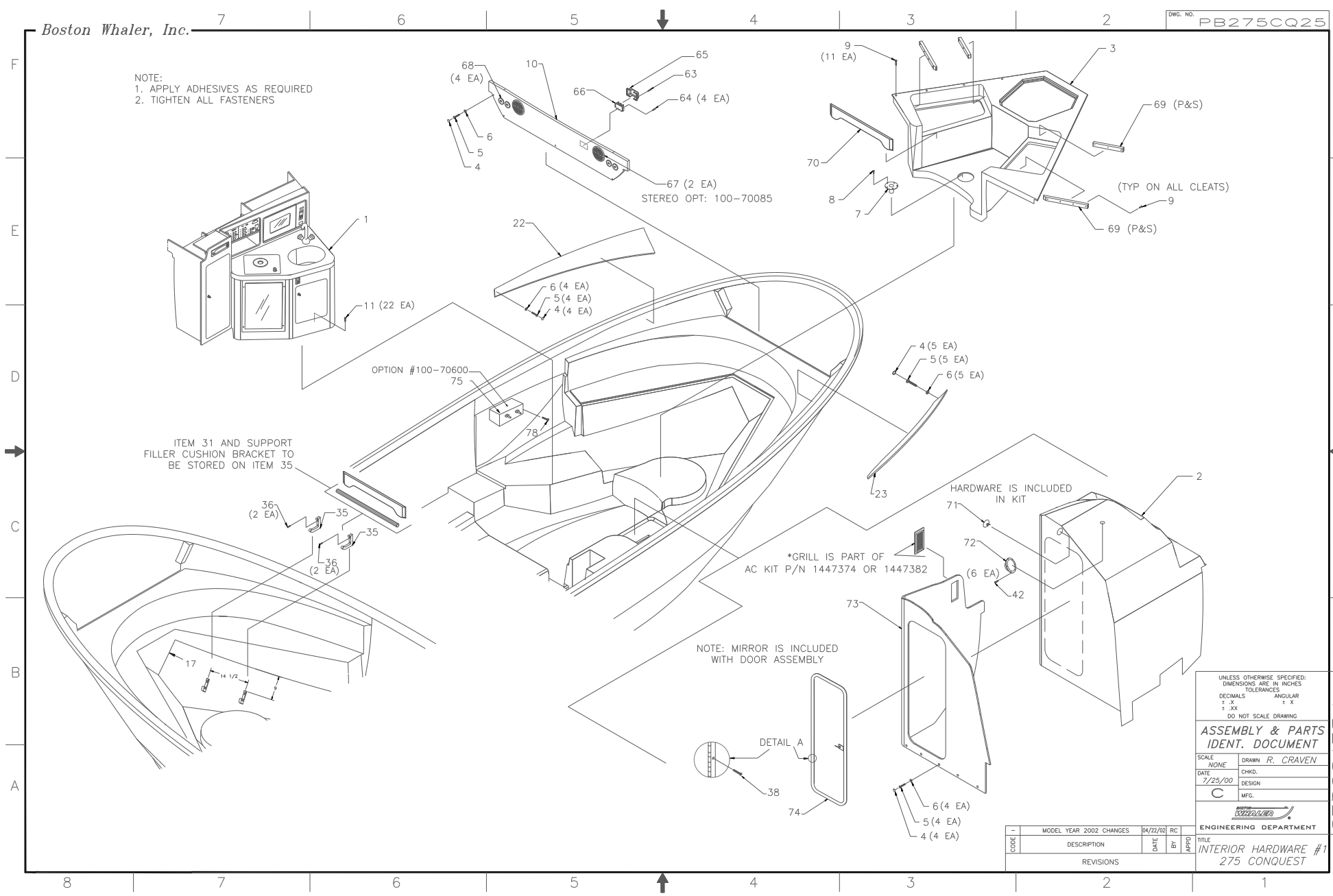
BOAT MODEL: 275 CONQUEST
DOCUMENT CONTROL NO: PB275CQ3

ITEM	QTY	U/M	DESCRIPTION	B.W.I. NO.
1	3	EA.	BATTERY, BOX GROUP	0995068
2	1	EA.	VACUUM GEN, VAC HEAD SYSTEM 12V	1109545
3	1	EA.	A/C KIT FOR 115V SYSTEM	1447374
4	1	EA.	TANK, WATER 30 GALLON	1347400
5	1	EA.	HEATER, WATER 6 GAL 110/60 W/75-210T&P	1142496
	1	EA.	HEATER, WATER 6 GAL 220/50 W/75-210T&P	1156728
6	1	EA.	TRIM TAB, ASSY 10X12 BW260CQ-00	1347467
7	1	EA.	BATTERY, CHARGER	1173814
8	1	EA.	FILTER, IN-LINE WATER STRAINER 3/4" (not shown)	1105774
9	2	EA.	TANK, OIL VRO W/HDWR W/SEND O/B 3 GAL DIGITAL	1477926
10	1	EA.	PUMP, HEAD SYS WASTE DIAPHRAGM 12V	1110808
11	1	EA.	SWITCH, FLOAT RULE W/COVER	0989335
12	1	EA.	PUMP, BILGE 1100GPH	1480094
13	2	EA.	SHIM, HDPE FLOAT SWITCH WHT (NOT SHOWN)	1470475
14	2	EA.	SWITCH, FLOAT	0989335
15	2	EA.	PUMP, BILGE 800 GPH	0698290
16	1	EA.	PUMP SUB-ASSEMBLY (SEE DRAWING #9&10)	PB275CQ9
17	1	EA.	SWITCH SUB-ASSEMBLY (SEE DRAWING #7&8)	PB275CQ7
18	4	EA.	CLEAT, HDPE WATERTANK SEAFOAM	1143411
19	1	EA.	ELBOW, ACETAL 1/2" MPT X 90DEG	0158477
20	1	EA.	ELBOW, WHALE 90DEG STEM 15MM	0909978
21	1	EA.	PUMP, HEAD SYS MACERATOR W/THERMAL PROTECTOR	1624451
22	1	EA.	SHELF, HDPE A/C BLOWER	1329051
23	1	EA.	SUPPORT, BW260CQ-00 AFT CKPT DECK	1462621
24	17	LF.	HOSE, GEN PURPOSE 3/4"	0123810
25	4	EA.	CLAMP, HOSE #10 1/2"-1 1/8" SS	0263954
26	2	EA.	THRU-HULL, CHR/BRZ 3/4"	0579896
27	1	EA.	THRU HULL, CHR/BRZ 1-1/8"	0973693
28	4	EA.	CLAMP, HOSE #10 1/2"-1-1/8" SS	0263954
29	6	LF.	HOSE , WATER 1 1/8" BLK	1042076
30	1	EA.	COUPLING, PLAS Y 1-1/2"	1041458
31	1	EA.	VALVE, MAREON BALL 2-WAY 1"	0581355
32	10	LF.	HOSE, GEN. PURPOSE 1"	0196667
33	1	EA.	THRUHULL, BRS. 1"X 4 7/8"	0861153
34	27	LF.	HOSE, SANI 1 1/2" PREMIUM RBR BLK	0846899
35	1	EA.	TEE, PVC 1.5"BARB X 1.5"BARB X1.5"	1037027
36	2	EA.	VALVE, CHECK WHAE 1"	0555375
37	2	EA.	DRAIN, CKPT W/ SCREEN	0995118
38	26	EA.	CLAMP, HOSES #24 1"-2" SS	0256693
39	2	EA.	PANEL, HDPE CLSOUT FISHWELL	1327931
40	2	EA.	HOSE, SANTI/SMOOTH WALL 1.5"	0123844

Boston Whaler, Inc.

DWG. NO. PB275CQ25

NOTE:
1. APPLY ADHESIVES AS REQUIRED
2. TIGHTEN ALL FASTENERS



HARDWARE IS INCLUDED IN KIT

*GRILL IS PART OF AC KIT P/N 1447374 OR 1447382

NOTE: MIRROR IS INCLUDED WITH DOOR ASSEMBLY

UNLESS OTHERWISE SPECIFIED:
DIMENSIONS ARE IN INCHES
TOLERANCES
DECIMALS ANGULAR
± .X ± X
± .XX ± .X
DO NOT SCALE DRAWING

ASSEMBLY & PARTS IDENT. DOCUMENT

SCALE: NONE DRAWN: R. CRAVEN
DATE: 7/25/00 CHKD.
DESIGN
C MFG.

ENGINEERING DEPARTMENT

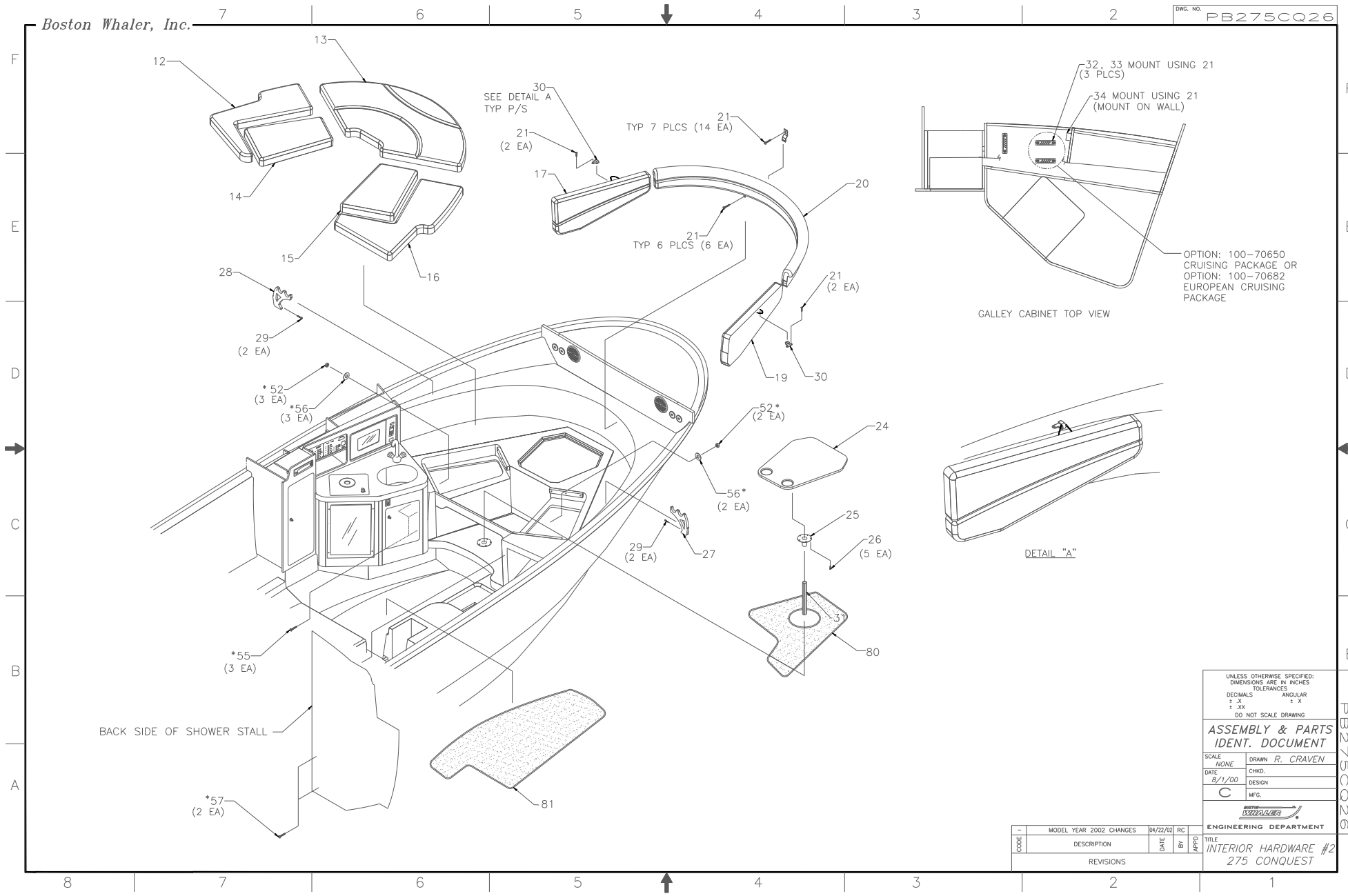
MODEL YEAR	2002 CHANGES	04/22/02	RC
CODE	DESCRIPTION	DATE	BY
REVISIONS			

TITLE: INTERIOR HARDWARE #1
275 CONQUEST

DWG. NO. PB275CQ25

Boston Whaler, Inc.

DWG. NO. PB275CQ26



UNLESS OTHERWISE SPECIFIED:
 DIMENSIONS ARE IN INCHES
 TOLERANCES
 DECIMALS ANGULAR
 ± .X ± X
 ± .XX ± .XX
 DO NOT SCALE DRAWING

ASSEMBLY & PARTS IDENT. DOCUMENT

SCALE: NONE DRAWN: R. CRAVEN
 DATE: 8/1/00 CHKD.:
 DESIGN:
 MFG.:
 C

ENGINEERING DEPARTMENT

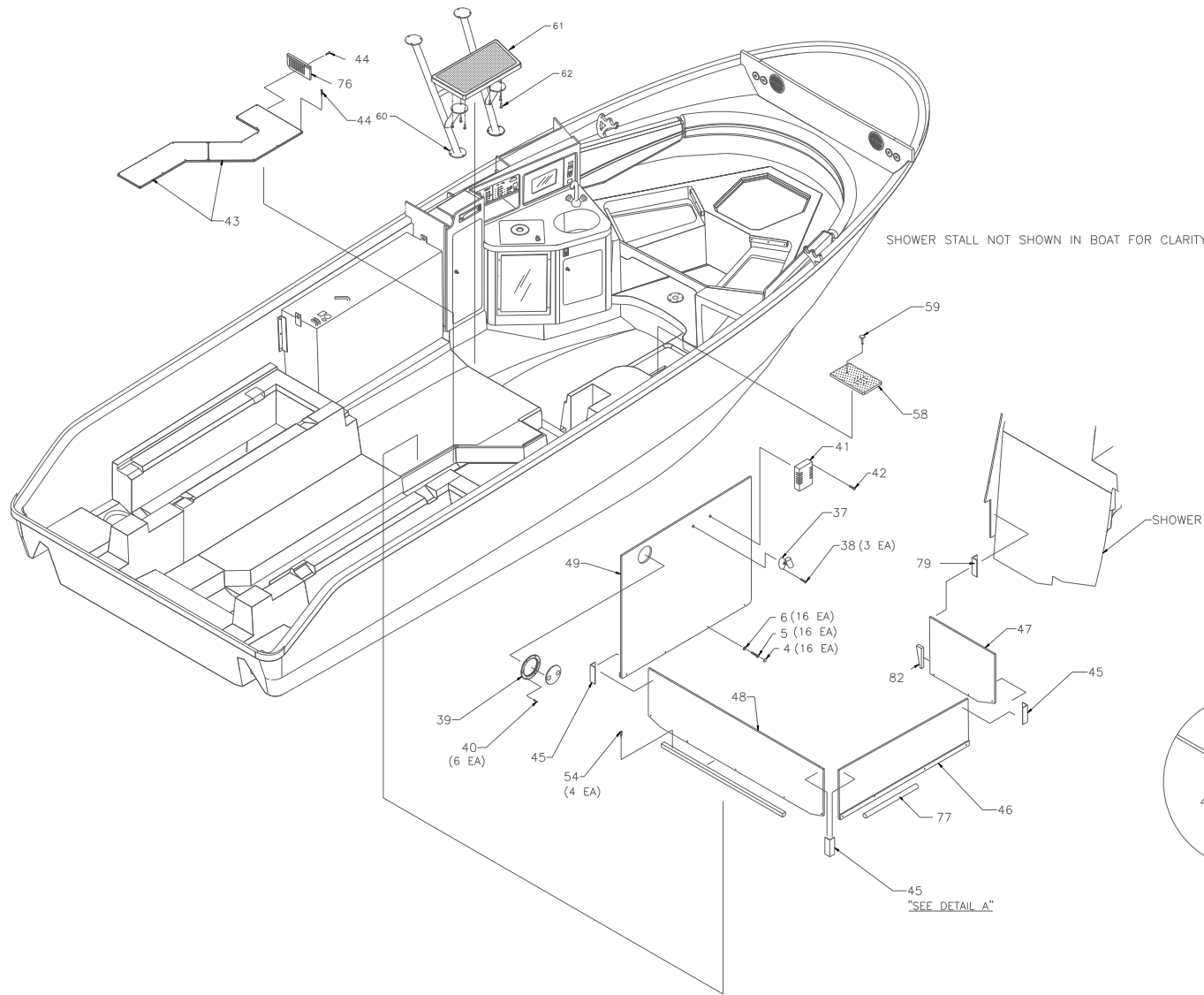
CODE	MODEL YEAR	2002 CHANGES	DATE	BY	RC
			04/22/02		
REVISIONS					

TITLE: INTERIOR HARDWARE #2
 275 CONQUEST

DWG. NO. PB275CQ26

Boston Whaler, Inc.

DWG. NO. PB275CQ27



SHOWER STALL NOT SHOWN IN BOAT FOR CLARITY

SHOWER STALL (REF)

DETAIL "A"

UNLESS OTHERWISE SPECIFIED:
DIMENSIONS ARE IN INCHES
TOLERANCES
DECIMALS ± .X ANGULAR ± X
DO NOT SCALE DRAWING

ASSEMBLY & PARTS IDENT. DOCUMENT

SCALE	NONE	DRAWN	R. CRAVEN
DATE	8/1/00	CHKD.	
		DESIGN	
		MFG.	

ENGINEERING DEPARTMENT

TITLE
INTERIOR HARDWARE #3
275 CONQUEST

CODE	MODEL YEAR	CHANGES	DATE	BY	RC	APPROV
			04/22/02			
REVISIONS						

DWG. NO. PB275CQ27

MODEL YEAR 2002 PARTS LIST

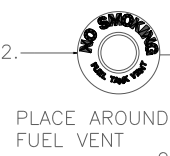
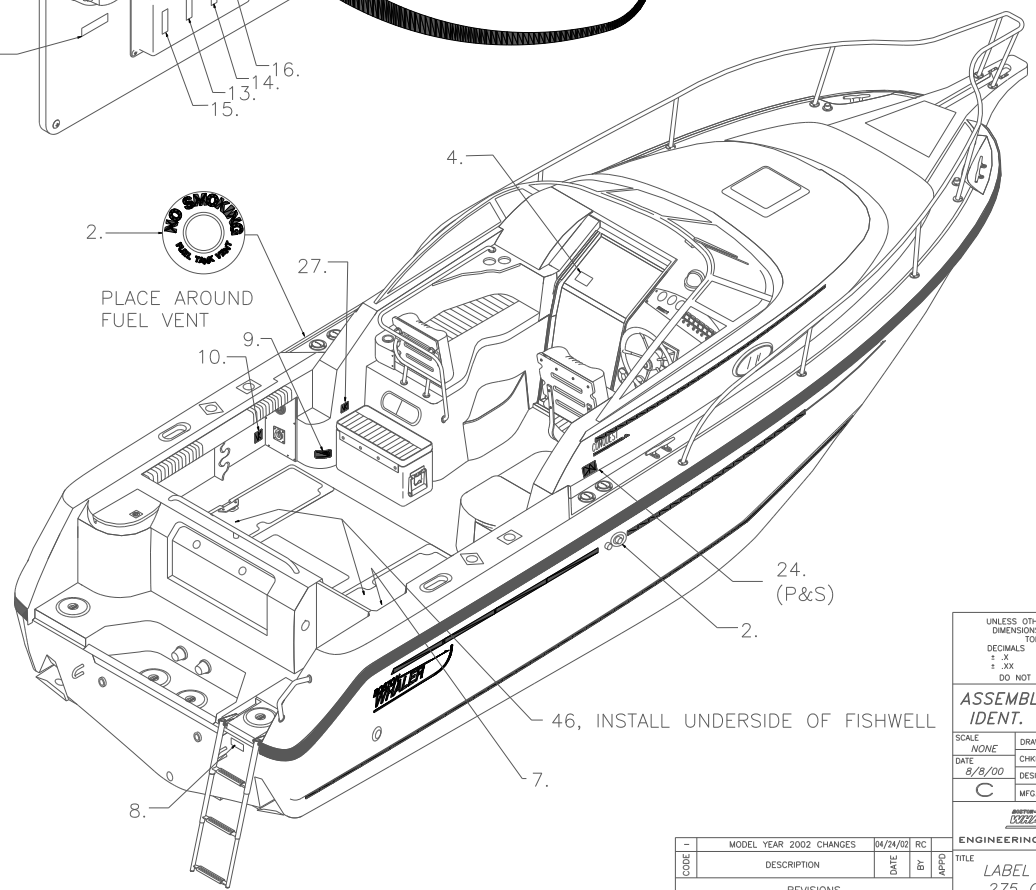
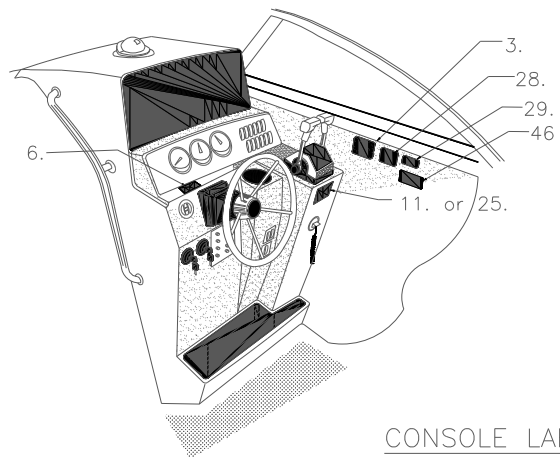
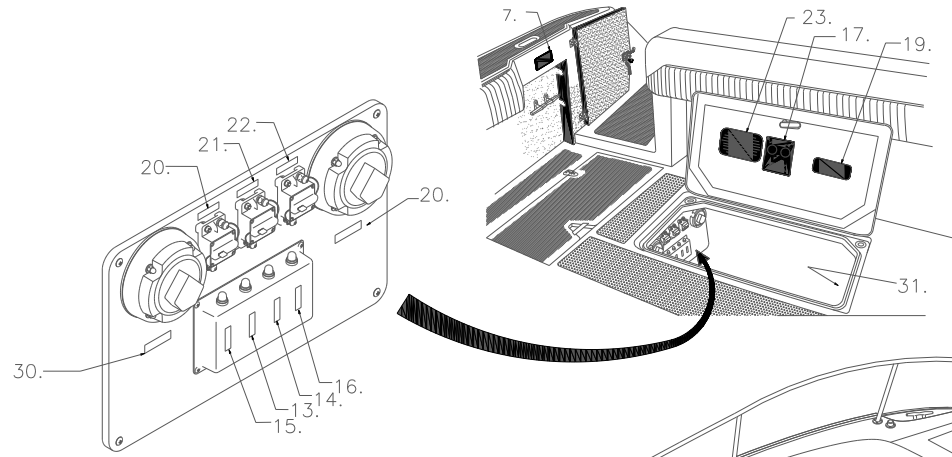
BOAT MODEL: 275 CONQUEST
DOCUMENT CONTROL NO: PB275CQ28

Item	Qty	U/M	DESCRIPTION	B.W.I. NO.
1	1	EA	GALLEY CABINET SUB-ASSEMBLY	09-602
2	1	EA	SHOWER STALL, 26' CQ	22J94900
3	1	EA	V-BERTH	22J94700
4	35	EA	SNAP CAP, PLAS WHEAT MATTE	1139500
5	35	EA	SCREW, TAPPING #10A X 1.5" POH SC	1008515
6	35	EA	SNAP CAP, PLAS WASHER	1031319
7	1	EA	BASE, TABLE SURF MNT ALUM TAPERED CASTING	1125293
8	5	EA	SCREW, TAPPING #14A X 1.5" PFH SC	1008382
9	25	EA	SCREW, TAPPING #10A X 1.5" PTH SC	1008747
10	1	EA	BULKHD, P/B/VINYL BW260CQ-01 ANCH LCKR	1552074
1	1	EA	BLKHD, BW260CQ-01 ANCH LCKR N/SPKR	1552066
11	22	EA	SCREW, TAPPING #10A X 2" PTH SC	1008754
12	1	EA	CUSH, BW260CQ-00 VBERTH PORT/OUTER	1444090
13	1	EA	CUSH, BW275CQ-02 VBERTH FWD	1628379
14	1	EA	CUSH, BW260CQ-00 VBERTH PORT/INNER	1444108
15	1	EA	CUSH, BW260CQ-00 VBERTH STBD/INNER	1444132
16	1	EA	CUSH, BW260CQ-00 VBERTH STBD/OUTER	1444124
17	1	EA	CUSH, BW275CQ-02 VBERTH/TABLETOP PORT	1628361
19	1	EA	CUSH, BW275CQ-02 VBERTH/TABLETOP STBD	1628387
20	1	EA	BOLSTER, BW275CQ-02 CABIN CENTER	1628353
21	32	EA	SCREW, TAPPING #10A X 3/4" PTH SC	1008762
22	1	EA	BOLSTER, CABIN PORT, 26' CQ	1505197
23	1	EA	BOLSTER, CABIN STBD, 26' CQ	1505205
24	1	EA	TABLE, HDPE BW260CQ-00 DINETTE SANDCASTLE	1347434
25	1	EA	BASE, TABLE FLUSH MNT ALUM TPR	1125285
26	5	EA	SCREW, TAPPING #14A X 3/4" PFH SS	1051341
27	1	EA	RACK, HDPE BW260CQ-00 ROD CABIN STBD	1449792
28	1	EA	RACK, HDPE BW260CQ-00 ROD CABIN PORT	1434158
29	4	EA	SCREW, TAPPING #10A X 1" PTH SC	1008739
30	2	EA	HOOK, FENDER SS	1043033
31	1	EA	POST, TABLE LEG 27" ANOD FLUTED TAP	1125293
32	3	EA	BUSS BAR, DC GROUND 10-POSITION	1013614
33	3	EA	COVER, ABS BW BUSS BAR 10-POS BLK	1184969
34	1	EA	ALARM, POLARITY INDICATOR SONIC	1042340
35	2	EA	BRACKET, HDPE BW260CQ-00 MOUNTING TABLE POST	1491208
36	4	EA	SCREW, TAPPING #8A X 1.5" POH SS	150821
37	1	EA	LIGHT, SWIVEL BULLE W/SW BEIGE	1131580
38	3	EA	SCREW, TAPPING #6A X 1" PFH SC	1010354
39	1	EA	ACCESS PLATE, POLYPROP TWIST-OUT 5"	1016153
40	6	EA	RIVET, POP/BLIND #3/16 X 5/8" ALUM	189415
41	1	EA	MONITOR, CO DETECTOR WHT	965707
42	4	EA	SCREW, TAPPING #8A X 1/2" PTH SC	1008812
43	1	EA	LID, HDPE BW260CQ-00 CABIN SUMP AFT	1434166
44	18	EA	SCREW, TAPPING #8A X 1" POH SS	150805
45	3	EA	TANK, BRACKET BWCP270-97 2"X 2"X 6" 1/4"ALUM	1030469
46	1	EA	PLY, P/C BW260CQ-00 MIDCABIN STBD BULKHD WHT	1328970
47	1	EA	PLY, P/C BW260CQ-00 BULKHD HEAD WHT	1328996
48	1	EA	PLY, P/C BW260CQ-00 BULKHD MIDCBN AFT WHT	1329028
49	1	EA	PLY, P/C BW260CQ-00 MIDCABIN PORT BULKHD WHT	1329010
50	12	EA	SCREW, MACHINE #1/4-20 X 1.75" PFH	1007889
51	12	EA	WASHER, FLAT #1/4" SS	152926
52	18	EA	NUT, HEX NYLON LOCK #1/4-20 SC	1007764
53	12	EA	WASHER, FLANGE #14 SS	112086
54	4	EA	SCREW, TAPPING #10A X 2" PFH SC	1010263
55	3	EA	SCREW, MACHINE #1/4-20 X 1.25" PPH	1260975
56	6	EA	WASHER, FENDER 1/4"X 1.25" SS	189365
57	2	EA	SCREW, MACHINE #1/4-20 X 1.5" PTH	1010685
58	1	EA	SHOWER FLOOR COVER, 26' CQ	22J99200
59	1	EA	PIN, HATCH LIFT 2" SS	1143460
60	1	EA	FRAME, C'WAY STAIRS	1473990
61	1	EA	FIBERGLASS PART, C'WAY STEP	22J83600
62	1	EA	SCREW, TAPPING #14 x 1" PPH SC	1008689
63	2	EA	SCREW, TAPPING #6A X 3/4" PTH SC	1010917
64	4	EA	SCREW, TAPPING #14 x 1" PPH SC	1008689
65	1	EA	COVER, ABS TERM BLOCK BLK	1001528
66	1	EA	BUSS BAR, TERM BLOCK DC 2 POST 90 AMP	1043603
67	2	EA	SPEAKER, COAXIAL EXT 6.5" CM1622	1440544
68	4	EA	ROD HODER, PLASTIC 2"ID 3/16" DIAPHRAGM BLK	860379
69	2	EA	CLEAT, HDPE V-BERTH JUMP SEAT	1451665
70	1	EA	BRACKET, HDPE SUPPORT CUSH FILLER	1447416
71	1	EA	SHOWER, SWIVEL WALL MT ONLY CHROME	0722033
72	1	EA	LIGHT, DOME EXTERIOR 4" WHITE	996488
73	1	EA	PLY, P/C BULKHEAD HEAD MAIN WHITE	1462506
74	1	EA	DOOR, HEAD ALUM. FRAME/WOOD	1459577
75	2	EA	GALVANIC ISOLATOR, ZINC SAVER II 30AMP	0802074
76	4	EA	GRATE, HDPE BW260CQ-01 MID SUMP THROUGH	1508670
77	2	EA	FOAM, BACKER ROD 7/8"DIA	1041698
78	1	EA	SCREW, TAPPING #8A X 5/8" PTH SC	1010925
79	1	EA	BRACKET, ALUM BW260CQ-01 BULKHD	1553171
80	1	EA	CARPET, P/C BW260CQ-01 DINETTE GREY	1528629
81	1	EA	CARPET, P/C BW260CQ-00 CABIN GREY	1447366
82	1	EA	MICA, P/C BW275CQ-02 SHIM HEAD BULKHD	1684306

NOTES:

LABELS ALSO PLACED, BUT NOT SHOWN:

- 1. ITEM 1 - ON GALLEY FAUCET
- ITEM 5 - IN GALLEY ON BACK OF BASE CAB DOOR
- ITEM 9 - PORT & STBD BULKHEADS OF AFT CABIN
- ITEM 12 - (1) BEHIND MDP
- (2) BEHIND S. FWD COCKPIT
- ROD HOLDER CLOSE OUT
- (1) BEHIND DASH
- ITEM 18 - IN CABIN @ A/C CONTROL PANEL
- ITEM 26 - IN HEAD AREA NEXT TO PUMP KEY
- AND AT SEACOCK ACCESS



UNLESS OTHERWISE SPECIFIED:
DIMENSIONS ARE IN INCHES
TOLERANCES

DECIMALS	ANGULAR
± .X	± X
± .XX	± .XX

DO NOT SCALE DRAWING

ASSEMBLY & PARTS IDENT. DOCUMENT

SCALE	NONE	DRAWN	R. CRAVEN
DATE	8/8/00	CHKD.	
		DESIGN	
		MFG.	

ENGINEERING DEPARTMENT

MODEL YEAR	2002	CHANGES	04/24/02	RC	
CODE		DESCRIPTION	DATE	BY	APPRO
REVISIONS					

TITLE
LABEL LOCATIONS 275 CONQUEST

MODEL YEAR	2002	CHANGES	04/24/02	RC	
CODE		DESCRIPTION	DATE	BY	APPRO
REVISIONS					

DWG. NO. PB275CQ42

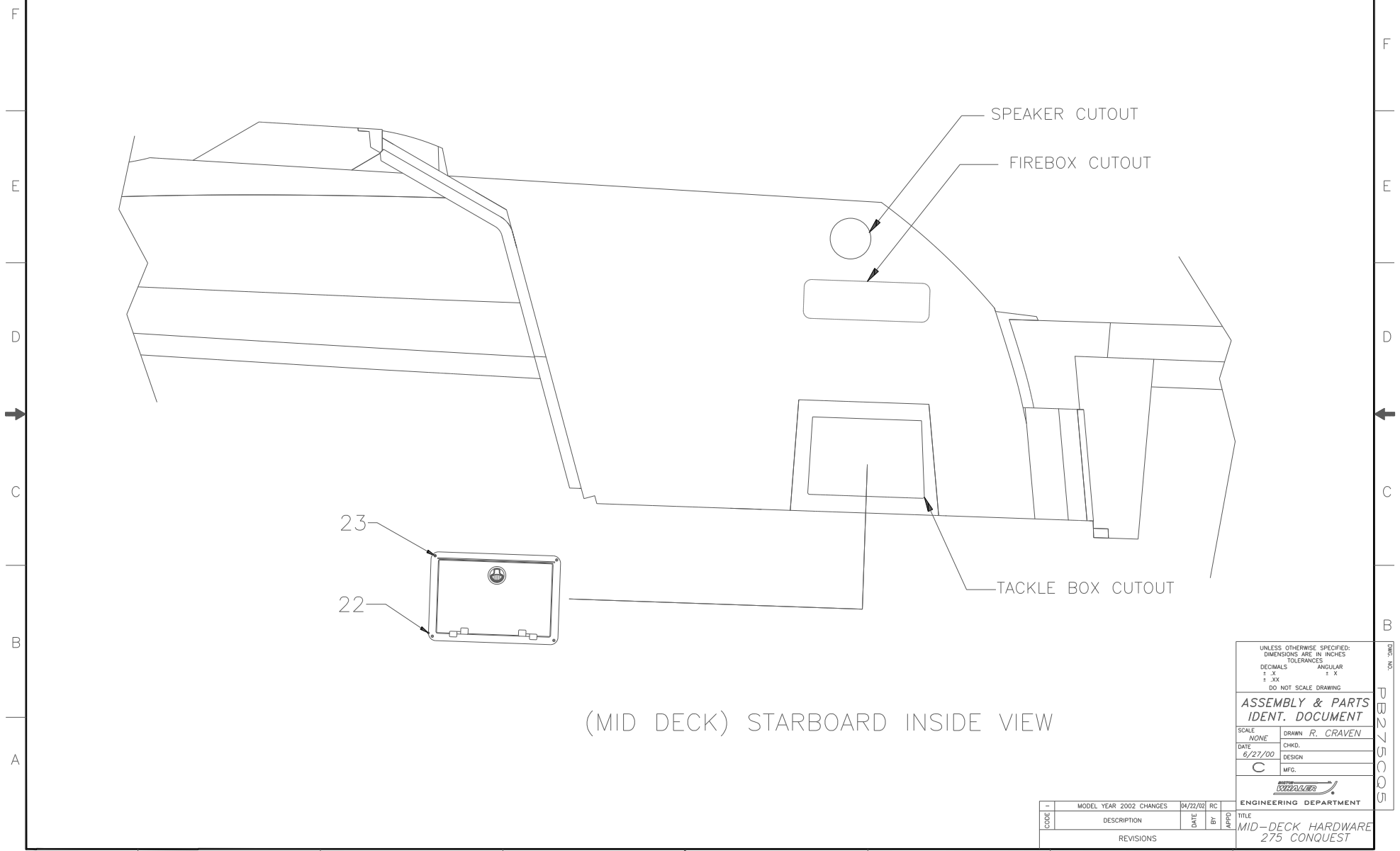
MODEL YEAR 2002 PARTS LIST

BOAT MODEL: 275 CONQUEST
DOCUMENT CONTROL NO: PB275CQ44

				DESCRIPTION	
ITEM	QTY.	U/M	S/O		B.W.I. NO.
1	1	EA	STD	TAG, NOTICE NON-TOXIC ANTI-FREEZE ADDED	1259092
2	1	EA	STD	LABEL, BW NO SMOKING - FUEL VENT	1016484
3	1	EA	STD	LABEL, BW SAFETY HI PERF- BOAT	1017136
4	1	EA	STD	LABEL, WARNING RUNNING BOAT W/DOOR OPEN	1672112
5	1	EA	STD	LABEL, PREVENT DISCHARGE OF POLLUTANTS	532820
6	1	EA	STD	LABEL, BW WARNING FUEL GAUGE READ	1016534
7	1	EA	OPT	LABEL, BW WARNING TRANSOM DOOR	1017144
8	1	EA	STD	LABEL, BW WARNING SWIM PLATFORM	1016948
9	3	EA	STD	LABEL, BW FUEL TANK- NO DRILL	1016443
10	1	EA	STD	LABEL, BW UNPLUG SHORE POWER	276808
11	1	EA	STD	PLATE, NMMA YACHT CERT, GAS	125062
12	4	EA	STD	TAG, BW DO NOT PULL RIGGING	999755
13	1	EA	STD	LABEL, BW AFT BILGE PUMP	1075449
14	1	EA	STD	LABEL, BW STEREO	1075266
15	1	EA	STD	LABEL, BW FWD BILGE PUMP	1075431
16	1	EA	OPT	LABEL, BE DIGITAL OPTIMAX POSITIVE	1396720
17	1	EA	STD	PLATE, BW 230CQ-97 BATT PARALLEL DET	1051762
18	1	EA	STD	LABEL, BW WARNING A/C SYSTEM	1053164
19	1	EA	STD	WARNING, DO NOT STORE FUEL	1016906
20	2	EA	STD	LABEL, CABIN MAIN (LEXAN)	1212547
21	1	EA	STD	LABEL, HELM MAIN (LEXAN)	1212687
22	1	EA	STD	LABEL, ANCHOR WINDLESS (LEXAN)	1212596
23	1	EA	STD	LABEL, DISCHARGE OF OIL	258509
24	2	EA	STD	WARNING FUEL HAZARD	852632
25	1	EA	OPT	PLATE, BUILDERS CE 02-BW275CQ	1619923
26	2	EA	STD	NOTICE, OVERBOARD DISCHARGE	955278
27	1	EA	STD	NOTICE, DO NOT OCCUPY SEAT	943530
28	1	EA	STD	LABEL, BW WARNING CARBON MONOXIDE CANVAS ENCL	1110675
29	1	EA	STD	LABEL, LEAKING FUEL WARNING	852632
30	1	EA	STD	LABEL, BW STBD	1110246
31	1	EA	STD	LABEL, BW PORT	1110238
32	1	EA	STD	DECAL, BW HARPOON PORT CORBIN DK BLUE	998450
33	1	EA	STD	DECAL, BW HARPOON PROT FIRE RED	998559
34	1	EA	STD	DECAL, BW HARPOON STBD CORBIN DK BLUE	998476
35	1	EA	STD	DECAL, BW HARPOON STBD FIRE RED	998609
36	1	EA	STD	DECAL, BW LOGO 28" BLUE PORT	1452762
37	1	EA	STD	DECAL, BW LOGO 28" FLUR STBD	1457696
38	1	EA	STD	DECAL, BW LOGO 28" RED PORT	1452754
39	1	EA	STD	DECAL, LOGO 28" RED STBD	1457688
40	2	EA	STD	DECAL, BW275CQ-02 CORBIN DK BLUE	1621523
41	2	EA	STD	DECAL, BW275CQ-02 FIRE RED	1621515
42	85	FT.	STD	TAPE, SOLID 1/2" CORBIN DK BLUE w/PIN STRIPE	1038090
43	85	FT.	STD	TAPE, SOLID 1/2" FIRE RED w/PIN STRIPE	1038116
44	28	FT.	STD	TAPE, SOLID 1" CORBIN DK BLUE w/PIN STRIPE	1037985
45	28	FT.	STD	TAPE, SOLID 1" FIRE RED w/PIN STRIPE	1038009
46	3	EA.	STD	LABEL, BW CAUTION FISHWELL DRAIN PLUG	1689650

Boston Whaler, Inc.

DWG. NO. PB275CQ5



(MID DECK) STARBOARD INSIDE VIEW

UNLESS OTHERWISE SPECIFIED:
 DIMENSIONS ARE IN INCHES
 TOLERANCES

DECIMALS	ANGULAR
± .X	± X
± .XX	

DO NOT SCALE DRAWING

ASSEMBLY & PARTS IDENT. DOCUMENT

SCALE	DRAWN <i>R. CRAVEN</i>
DATE	CHKD.
6/27/00	DESIGN
C	MFG.

ENGINEERING DEPARTMENT

CODE	DESCRIPTION	DATE	BY	APPROV

TITLE
 MID-DECK HARDWARE
 275 CONQUEST

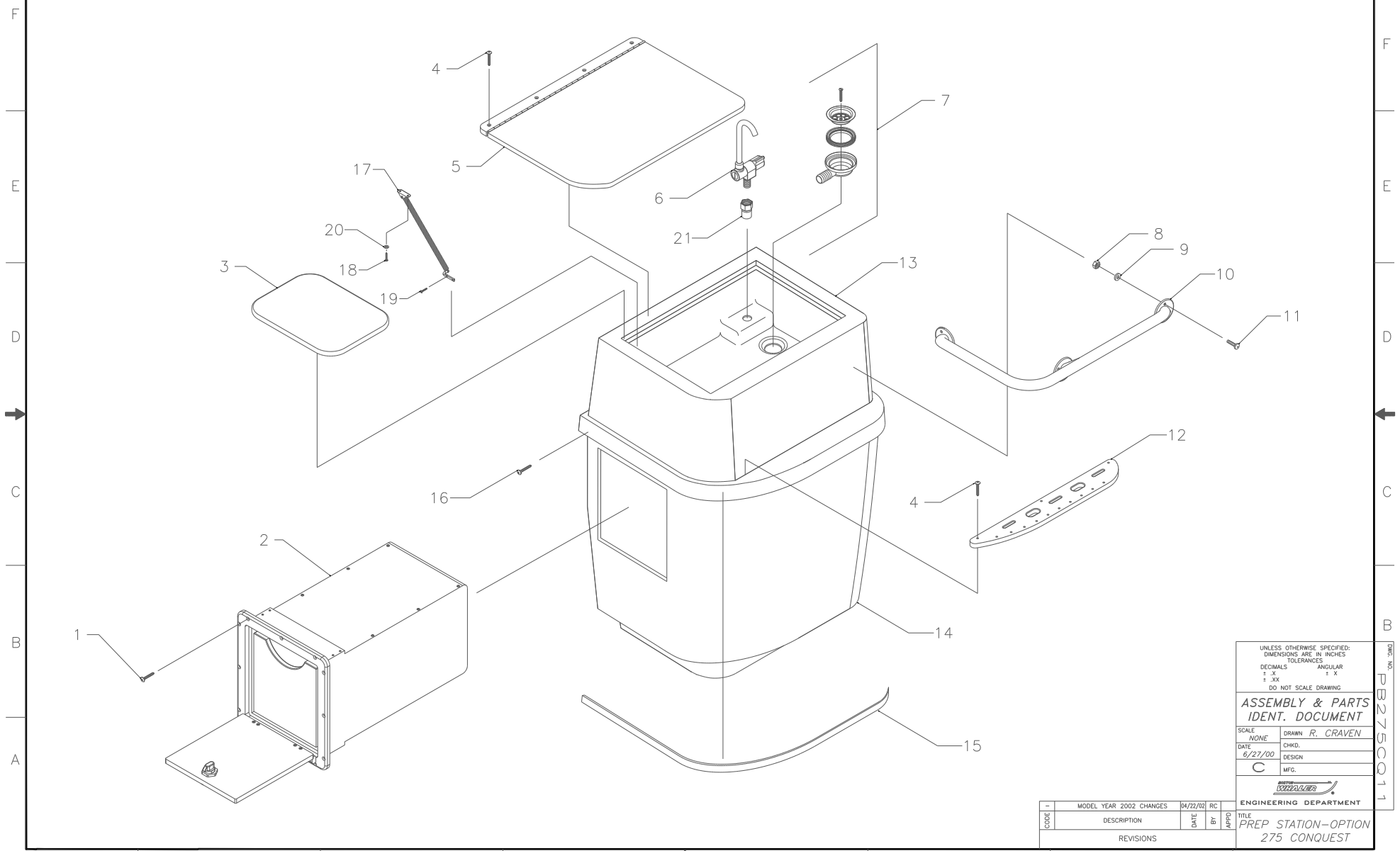
MODEL YEAR 2002 PARTS LIST

BOAT MODEL: 275 CONQUEST
DOCUMENT CONTROL NO: PB275CQ6

Item	Qty	U/M	Description	B.W.I	No.
1	2	EA.	HAWSE PIPE, SS SMALL	0859066	
2	4	EA.	ROD HOLDER, FLUSH MNT SS W/BW LOGO	1591643	
3	1	EA.	PORTLIGHT, ELLIPSE 6"X 16" SLVR W/O TRIM RING	1508720	
4	2	EA.	CLEAT, 8" SS HVY DUTY HOLLOW BASE	1027010	
5	1	EA.	PEDESTAL, ALUM 12" FLUTED MILLENNIUM	1611672	
6	1	EA.	HOSE, CONDUIT/SPLIT 5/8" BLK (OPT:100-70214)	0995670	
7	14	EA.	WASHER, FLAT	0152926	
8	14	EA.	SCREW, MACHINE #1/4-20 X 1 3/4" POH	0151555	
9	8	EA.	SCREW, TAPPING #10 X 1-1/2" POH	1008515	
10	8	EA.	SCREW, MACHINE #1/4-20 X 1" PFH SC	1009950	
11	6	EA.	WASHER, FENDER 1/4" SS	0189365	
12	6	EA.	SCREW, MACHINE #1/4-20 X 1 3/4" PFH	1007889	
13	20	EA.	NUT, #10-24 LOCKNUT	1009786	
14	1	EA.	SEAT, HELM BW-02 W/SLIDE MILLENNIUM	1611698	
15	18	EA.	NUT, LOCK #1/4-20 SC STD PART	1009786	
16	8	EA.	SCREW, TAPPING #10 X 1" POH SC	1008507	
17	2	EA.	DECK FILL, GAS SS	1109313	
18	1	EA.	DECK PLATE, WATER SS	1109321	
19	1	EA.	BOX, ABS FIRE EXT LONG WHITE	1037480	
20	6	EA.	SCREW, TAPPING #8 X 5/8" PPH SC	1010677	
21	1	EA.	WASTE, PLATE	1109347	
22	1	EA.	BOX, HDPE/PLEX BW-98 TACKLE 3-DRWR SEAFM	1073238	
23	1	EA.	SCREW, TAPPING #8A X 1.5" POH SS	0150821	
24	1	EA.	SPEAKER, COAXIAL EXT 6.5" CM1620	1049865	
25	1	EA.	ACCESS PLATE, POLYPROP TWISTOUT 5"	1016153	
26	1	EA.	LIGHT, COURTESY SURF MNT CLR/GROUND 3CF	1062355	
27	1	EA.	CLEAT, HDPE BW260CQ-00 COOLER SEAFM	1450899	
28	4	EA.	SCREW, TAPPING #10A X 2" PTH SC	1008754	
29	1	EA.	TRIM RING, PORTLIGHT 6"X 16" REG SLVR	1615178	
30	1	EA.	SCREEN, PORTHOLD ELLIPSE BOMAR	1508738	
31	1	EA.	PORTLIGHT, GASKET 3/8" SATURATED FOAM	1615194	

Boston Whaler, Inc.

DWG. NO. PB275CQ11



UNLESS OTHERWISE SPECIFIED:
 DIMENSIONS ARE IN INCHES
 TOLERANCES
 DECIMALS ANGULAR
 ± .X ± X
 ± .XX ± .XX
 DO NOT SCALE DRAWING

ASSEMBLY & PARTS IDENT. DOCUMENT

SCALE: NONE DRAWN: R. CRAVEN
 DATE: 6/27/00 CHKD.:
 DESIGN:
 C MFG.



ENGINEERING DEPARTMENT

CODE	DESCRIPTION	DATE	BY	APPROV
REVISIONS				

TITLE: PREP STATION-OPTION 275 CONQUEST

DWG. NO. PB275CQ11

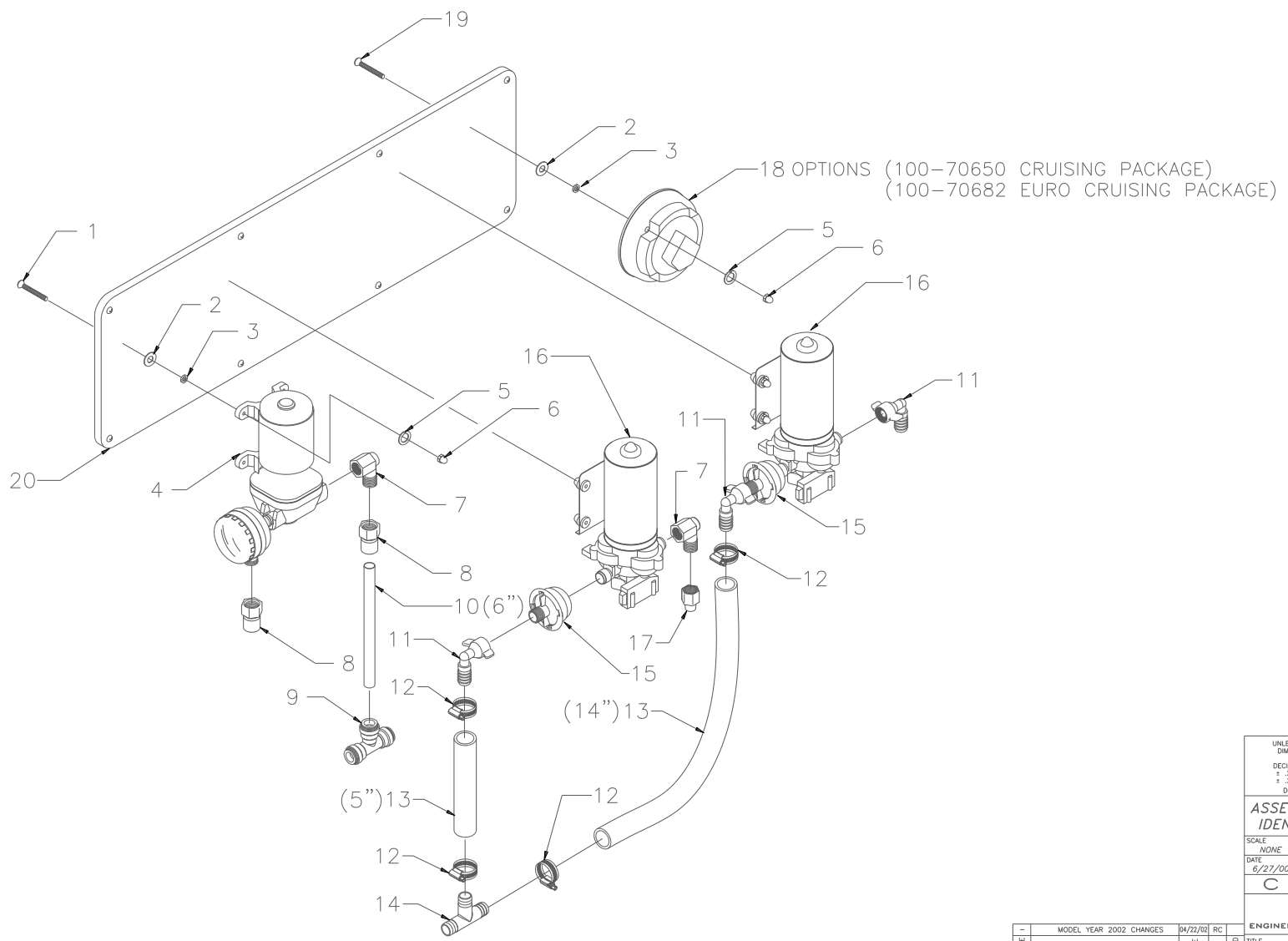
MODEL YEAR 2002 PARTS LIST

BOAT MODEL: 275 CONQUEST
DOCUMENT CONTROL NO: PB275CQ12

ITEM	QTY	U/M	DESCRIPTION	B.W.I	NO.
1	12	EA.	SCREW, TAPPING #8 X 1 1/2" POH SS	0150821	
2	1	EA.	DRAWER, HDPE TACKLE PREP	1128099	
3	1	EA.	BOARD, HDPE CUTTING PREP	1128081	
4	7	EA.	SCREW, TAPPING #8 X 1" PTH SS	1008804	
5	1	EA.	LID, PREP STATION	1477124	
6	1	EA.	FAUCET, CHR SWIVEL/FOLD SPOUT COLD	1143767	
7	1	EA.	DRAIN, ASSY, FLUSH MNT W/1" HOSE	0886200	
8	9	EA.	NUT, LOCK #1/4-20 SC STD PATT.	1009786	
9	9	EA.	WASHER, FENDER, 1/4" X 1.25 SS	0189365	
10	1	EA.	RAIL, GRAB PREP STATION	1128107	
11	9	EA.	SCREW, MACHINE #1/4-20 X 1" PPH	1008580	
12	3	EA.	HOLDER, HDPE BW280CQ-98 TOOLS PREP STATION	1128149	
13	1	EA.	PREP STATION, TOP	22J99700	
14	1	EA.	PREP STATION, BOTTOM	22J99800	
15	6	FT.	MOLDING, VINYL "L" OFF WHITE W/ADH.	1020924	
16	16	EA.	SCREW, TAPPING #10 X 1 1/4" PFH SC	0888263	
17	1	EA.	HOLDER, HDPE HATCH 8.5" X 7/16" DIAM SS	1062140	
18	1	EA.	SCREW, TAPPING #6 X 1/2" PTH SC	1008796	
19	2	EA.	SCREW, TAPPING #4 X 3/4" PPH SC	0397182	
20	2	EA.	WASHER FINISH #6 SS	1026111	
21	1	EA.	ADAPTER, BRASS WHALE 3/8" F-15MM	1212646	

Boston Whaler, Inc.

DWG. NO. PB275CQ9



UNLESS OTHERWISE SPECIFIED:
DIMENSIONS ARE IN INCHES
TOLERANCES
DECIMALS ANGULAR
± .X ± X
± .XX ± .XX
DO NOT SCALE DRAWING

**ASSEMBLY & PARTS
IDENT. DOCUMENT**

SCALE: NONE DRAWN: R. CRAVEN
DATE: 6/27/00 CHKD.:
DESIGN:
C MFG.:



ENGINEERING DEPARTMENT

TITLE: PUMP SUB ASSEMBLY
275 CONQUEST

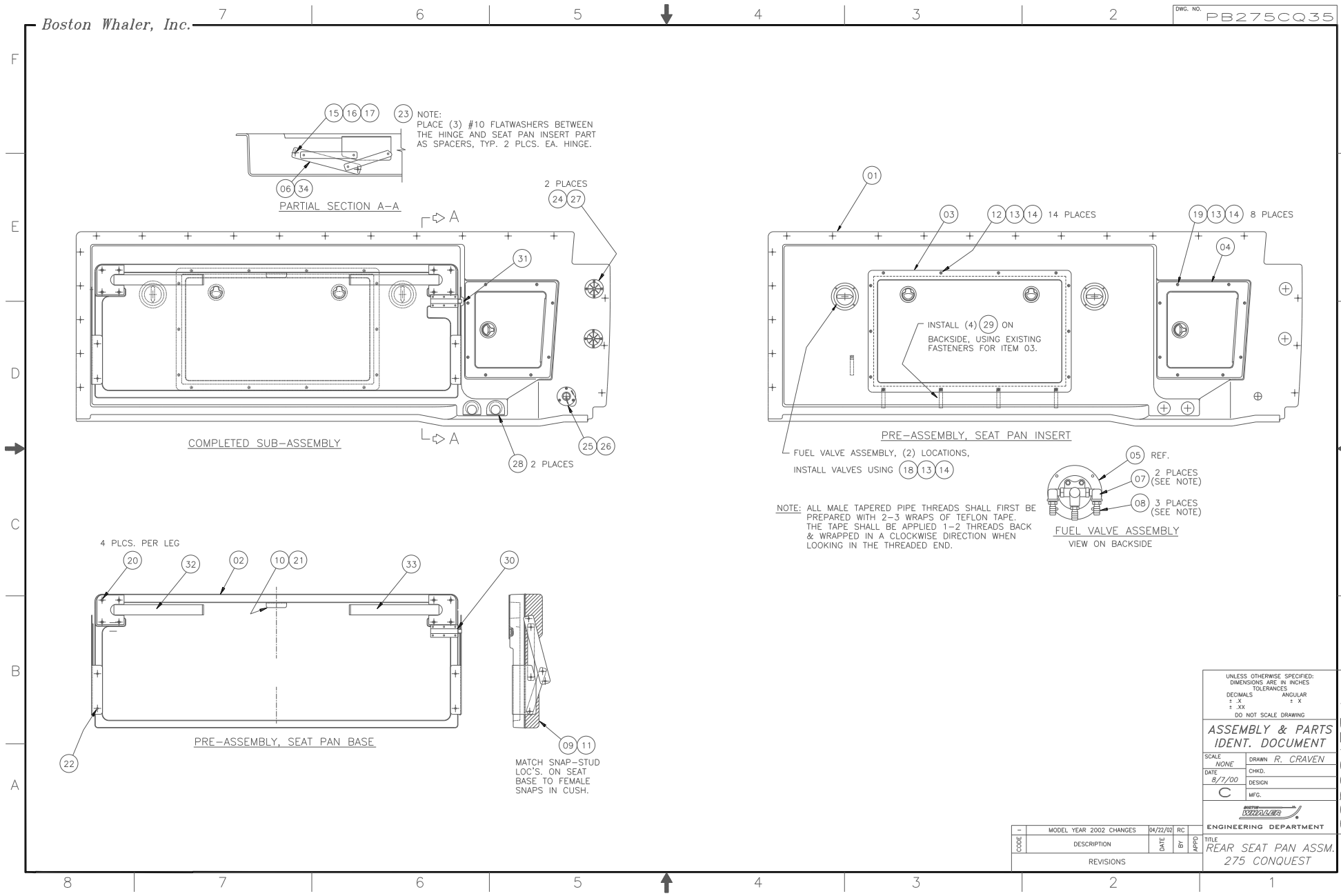
CODE	MODEL YEAR	2002 CHANGES	DATE	BY	RC
			04/22/02		
REVISIONS					

DWG. NO. PB275CQ9

MODEL YEAR 2002 PARTS LIST

BOAT MODEL: 275 CONQUEST
DOCUMENT CONTROL NO: PB275CQ10

Item	Qty	U/M	Description	B.W.I	No.
1	12	EA.	SCREW, MACHINE #10-24 X 1.5" POH SC	0151548	
2	13	EA.	WASHER, FLAT #10	0152918	
3	13	EA.	NUT, HEX #10-24 SS	0152629	
4	1	EA.	PUMP, FRESH WATER W/STRAINER/008 EL	0997296	
5	13	EA.	WASHER, LOCK SPLIT 1/4" SS	0153668	
6	13	EA.	NUT, ACORN #10-24 SS	0152520	
7	2	EA.	ELBOW, ACETAL 1/2" MPT X 1/2" FPT X 90 DEG.	0172551	
8	2	EA.	ADAPTER, WHALE 1/2" F-15MM BRASS	1137041	
9	1	EA.	TEE, WHALE EQUAL 15MM	0909929	
10	6	IN.	TUBING, WHALE 15MM X 10MM X 164' BLUE	1137025	
11	3	EA.	ELBOW, PVC 1/2" FPT SWIVEL X 3/4" BARB	0626101	
12	4	EA.	CLAMP, HOSE #10 X 1/2"-1 1/8" SS .50	0263954	
13	19	IN.	HOSE, GENERAL PURPOSE 3/4"	0123810	
14	1	EA.	TEE, PLASTIC 3/4" ALL BARB	0995191	
15	2	EA.	FILTER, IN-LINE WATER 1/2" FPT	0406710	
16	2	EA.	PUMP, RAW WATER	1043736	
17	1	EA.	NUT/RING/CONE, ACETAL 1/2" TH X 3/8"	0158501	
18	1	EA.	SWITCH, BATTERY SELECTOR W/O LOCK	0162693	
19	4	EA.	SCREW, MACHINE #10-24 X 1 3/4" POH SC	0151555	
20	1	EA.	BOARD, PVC BW260CQ-00 WATER PUMP	1475979	



NOTE:
PLACE (3) #10 FLATWASHERS BETWEEN
THE HINGE AND SEAT PAN INSERT PART
AS SPACERS, TYP. 2 PLCS. EA. HINGE.

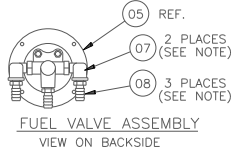
PARTIAL SECTION A-A

COMPLETED SUB-ASSEMBLY

PRE-ASSEMBLY, SEAT PAN INSERT

PRE-ASSEMBLY, SEAT PAN BASE

NOTE: ALL MALE TAPERED PIPE THREADS SHALL FIRST BE
PREPARED WITH 2-3 WRAPS OF TEFLON TAPE.
THE TAPE SHALL BE APPLIED 1-2 THREADS BACK
& WRAPPED IN A CLOCKWISE DIRECTION WHEN
LOOKING IN THE THREADED END.



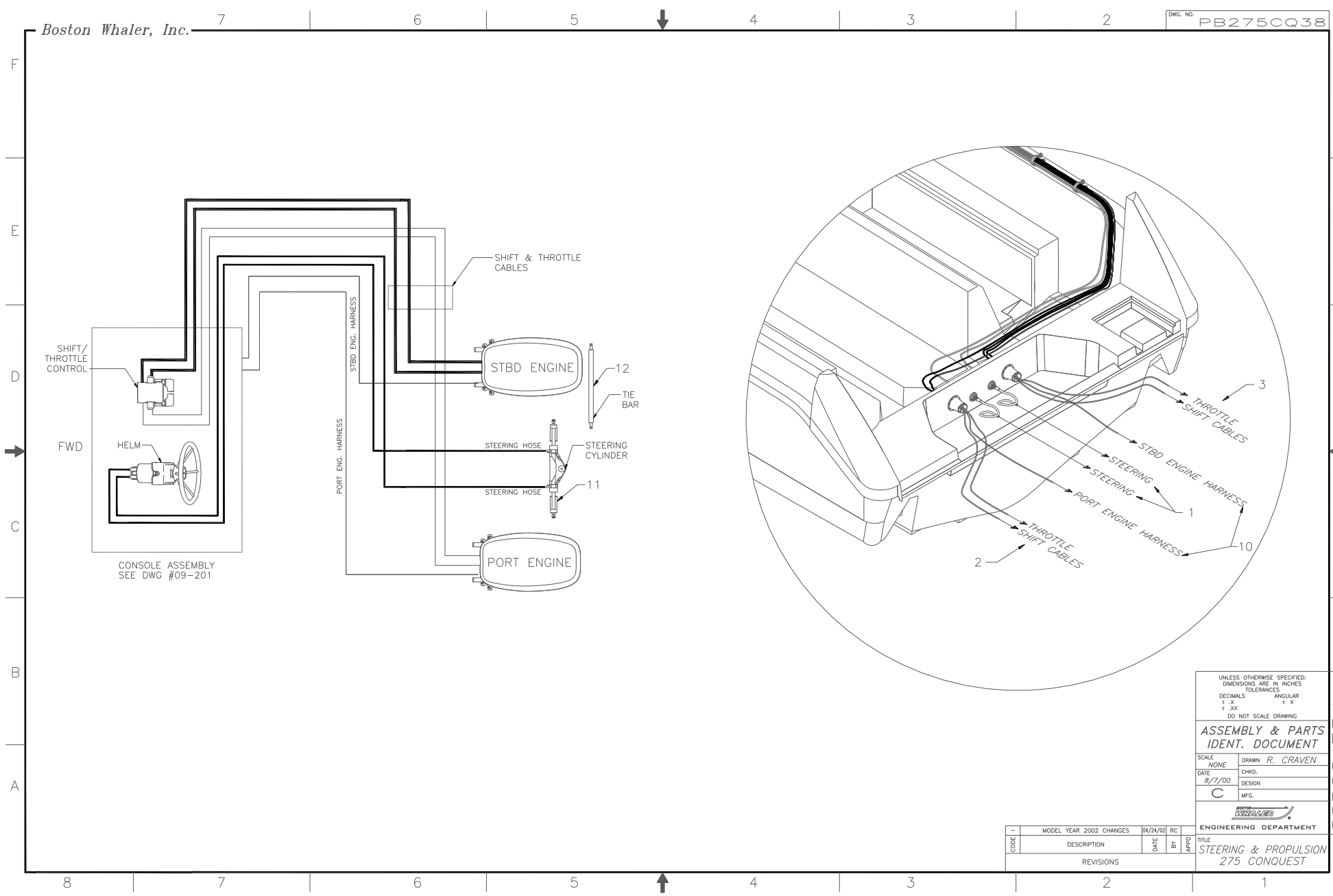
UNLESS OTHERWISE SPECIFIED: DIMENSIONS ARE IN INCHES	
DECIMALS	ANGULAR
± .X	± X
± .XX	± .XX
DO NOT SCALE DRAWING	
ASSEMBLY & PARTS IDENT. DOCUMENT	
SCALE: NONE	DRAWN: R. CRAVEN
DATE: 8/7/00	CHKD.:
C	DESIGN:
	MFG.:
BOSTON WHALER ENGINEERING DEPARTMENT	
TITLE: REAR SEAT PAN ASSM. 275 CONQUEST	

CODE	MODEL YEAR	CHANGES	DATE	BY	RC	APPROV
			04/22/02			
REVISIONS						

MODEL YEAR 2002 PARTS LIST

BOAT MODEL: 275 CONQUEST
DOCUMENT CONTROL NO: PB275CQ36

ITEM	QTY.	U/M	DESCRIPTION	B.W.I. NO.
01	1	EA.	FIBERGLASS PART, SEAT PAN INSERT	22J95100
02	1	EA.	FIBERGLASS PART, SEAT PAN BASE	22J95300
03	1	EA.	HATCH, HDPE ACCESS 18" x 30" SEAFOAM	1412568
04	1	EA.	DOOR, HDPE LIVEWELL ACCESS	1427939
05	2	EA.	VALVE, BRZ 2-WAY FUEL PORT/STBD	1235795
06	1	PR.	HINGE, BWCQ/OR-00 FOLDING SEAT LEFT	1423953
07	4	EA.	ELBOW, BRASS 90DEG. STREET 1/4"	0140418
08	6	EA.	FITTING, BRASS 1/4"MPT x 3/8" BARB	1043397
09	1	EA.	CUSH, STERN SEAT WHT/GRY	1474006
10	1	EA.	FRAME, ANCHOR LKR EDGE GUARD SS	1034552
11	6	EA.	SNAP STUD W/#8 x 3/8" PH	0203786
12	14	EA.	SCREW, MACHINE #10-24 x 1.5" POH	0151548
13	30	EA.	HEX NUT, NYLON LOCK #10-24	1007772
14	30	EA.	WASHER, FLAT #10 SS	0152918
15	4	EA.	SCREW, MACHINE 1/4-20 x 1.5" PPH	1008598
16	4	EA.	NUT, HEX NYLON LOCK 1/4-20	1007764
17	4	EA.	WASHER, FENDER 1/4" x 1.25" SS	0189365
18	8	EA.	SCREW, MACHINE #10-24 x 3/4" PTH	1008705
19	8	EA.	SCREW, MACHINE #10-24 x 1.25" POH	1008424
20	8	EA.	SCREW, TAPPING #10A x 1" POH	1008507
21	10	EA.	SCREW, TAPPING #8 x 5/8" PTH	1010925
22	4	EA.	SCREW, MACHINE 1/4-20 x 1" PPH	1008580
23	12	EA.	WASHER, FLAT 1/4" SS	0152926
24	2	EA.	ROD-HOLDER, PLAS 2"ID x 3/16" DIAPH.	0860379
25	1	EA.	FITTING, FRESH WATER OUTLET	0996512
26	3	EA.	SCREW, TAPPING #8A x 1/2" POH	1010578
27	8	EA.	SCREW, TAPPING #6A x 3/4" POH	1008564
28	2	EA.	THRU-HULL, PLAS 1.5" L-FLANGE W/BARB	1072826
29	4	EA.	CLIP, SUPPORT 2" DIA.	1323427
30	1	EA.	LATCH, SLAM W/30" STRAP BLK	1046788
31	1	EA.	BRACKET, BW-01 MOBELLA STRIKE SS	1609791
32	1	EA.	SUPPORT, BW-01 LEG FLDNG STERN ST LEFT	1601525
33	1	EA.	SUPPORT, BW-01 LEG FLDNG STERN ST RIGHT	1601533
34	1	EA.	HINGE, BWCQ/OR-00 FOLDING SEAT RIGHT	1423961



UNLESS OTHERWISE SPECIFIED:
 DIMENSIONS ARE IN INCHES
 TOLERANCES
 DECIMALS ANGULAR
 ± .X ± X
 ± .XX ± .XX
 DO NOT SCALE DRAWING

**ASSEMBLY & PARTS
 IDENT. DOCUMENT**

SCALE: NONE DRAWN: R. CRAVEN
 DATE: 8/7/00 CHKD.:
 C DESIGN:
 MFG.:



ENGINEERING DEPARTMENT
 TITLE: STEERING & PROPULSION
 275 CONQUEST

CODE	MODEL YEAR	CHANGES	DATE	BY	RC	APPD
	2002		04/24/02			
REVISIONS						

DWG. NO. PB275CQ38

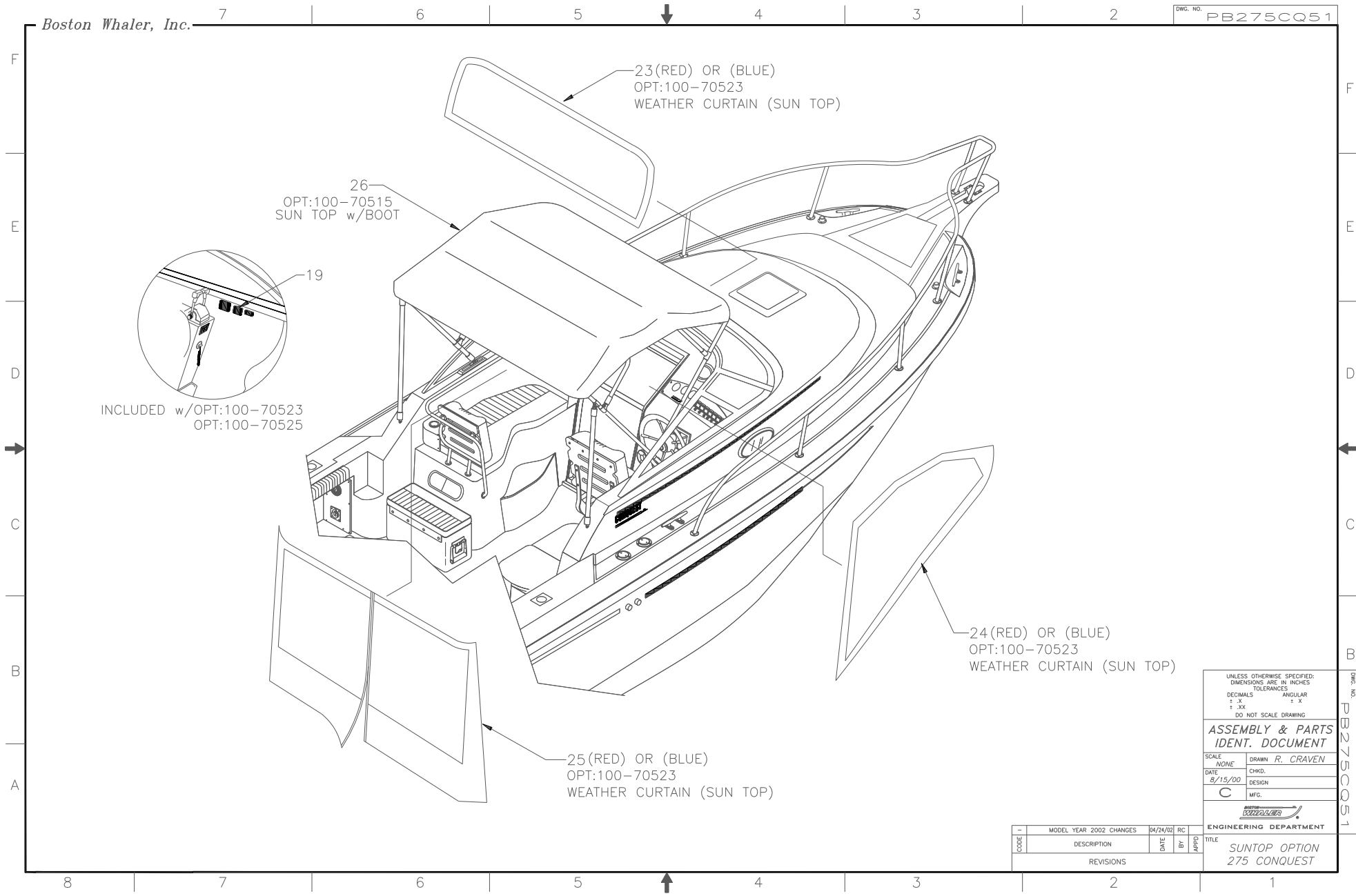
MODEL YEAR 2002 PARTS LIST

BOAT MODEL: 275 CONQUEST
DOCUMENT CONTROL NO: PB275CQ39

ITEM	QTY	U/M	DESCRIPTION	B.W.I.	NO.
1	2	EA.	STEERING, O/B HOSE KIT 26' W/BHD FT	1275700	
2	2	EA.	CABLE, CONTROL MERC PLATINUM 24'	1623636	
3	2	EA.	CABLE, CONTROL MERC PLATINUM 22'	1623602	
4	1	EA.	TRIM TAB, ASSY 10 X 12 BW260CQ-00	1347467	
5	6	EA.	SCREW, TAPPING #14A X 1.5" PPH SC	1008697	
6	4	EA.	SCREW, MACHINE #1/4-20 X 3/4" PPH S	0151720	
7	8	EA.	SCREW, TAPPING #14A X 1" PPH SC	1008689	
8	4	EA.	WASHER, STAR #1/4 SS	1008929	
9	4	EA.	SCREW, TAPPING #10A X 1" PTH SC	1008739	
10	2	EA.	HARNESS, IGN/CHOKE ASSY 20'	1032788	
11	1	EA.	STEERING, HYD CYLINDER O/B PIVOT MN	1095728	
12	1	EA.	TIE BAR, O/B KIT MERC/OMC SGL CYL	1253475	
13	1	EA.	HARNESS, ENG EXT MERC 10' O/B (not shown)	1032770	

Boston Whaler, Inc.

DWG. NO. PB275CQ51



INCLUDED w/OPT:100-70523
OPT:100-70525

UNLESS OTHERWISE SPECIFIED:
DIMENSIONS ARE IN INCHES
TOLERANCES

DECIMALS	ANGULAR
± .X	± X
± .XX	

DO NOT SCALE DRAWING

ASSEMBLY & PARTS IDENT. DOCUMENT

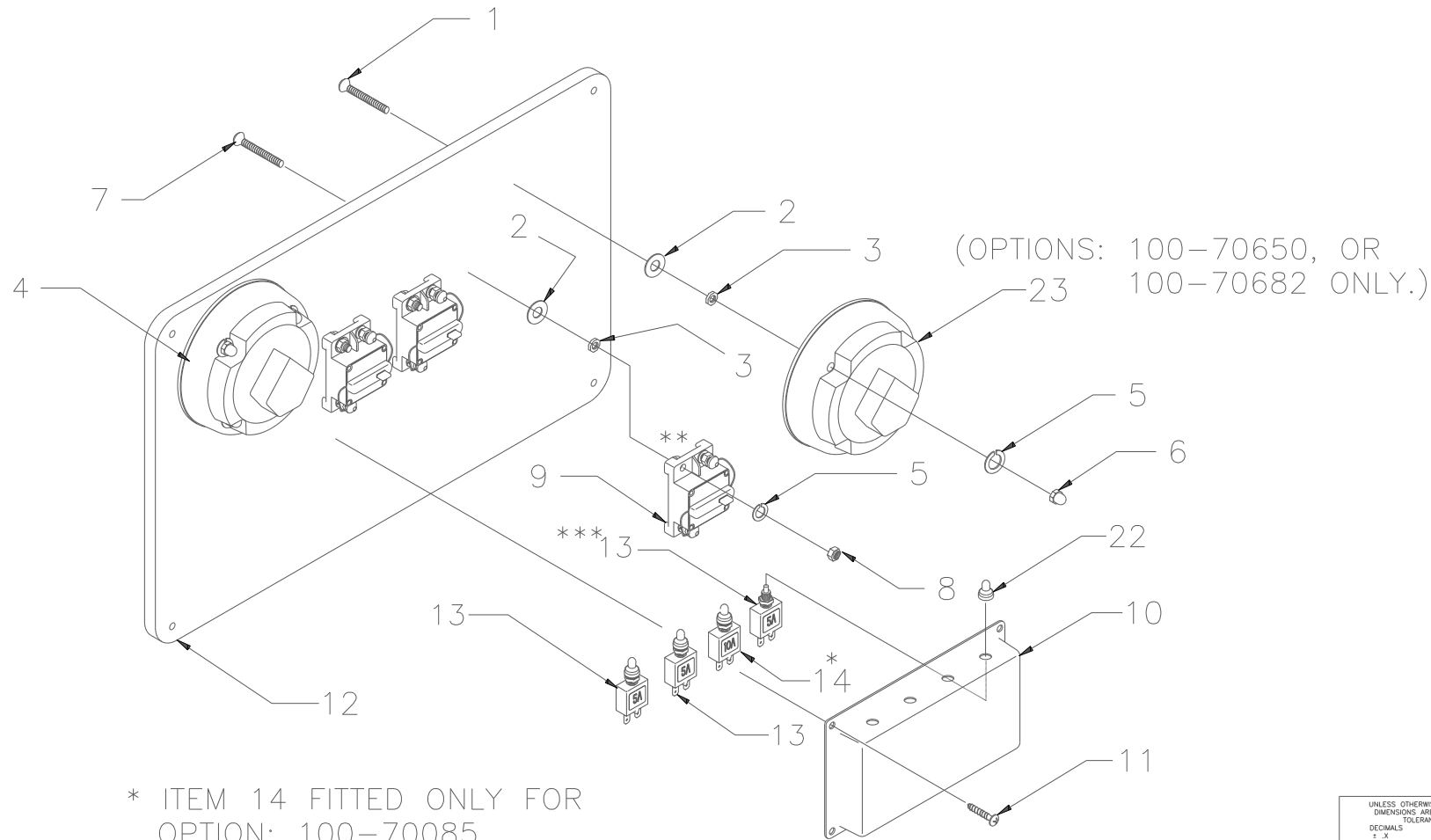
SCALE	DRAWN R. CRAVEN
NONE	CHKD.
DATE 8/15/00	DESIGN
C	MFG.

BOSTON WHALER
ENGINEERING DEPARTMENT

CODE	DESCRIPTION	DATE	BY	APPROV
REVISIONS				

TITLE
SUNTOP OPTION
275 CONQUEST

DWG. NO. PB275CQ51



* ITEM 14 FITTED ONLY FOR
OPTION: 100-70085

** QTY. (1) OF ITEM 9 (**INDICATED)
ONLY FOR OPTION: 100-70054.

*** DELETE ITEM 13 W/OPTION
020-79999

UNLESS OTHERWISE SPECIFIED:
DIMENSIONS ARE IN INCHES
TOLERANCES
DECIMALS ANGULAR
± .X ± X
± .XX ± .X

DO NOT SCALE DRAWING

**ASSEMBLY & PARTS
IDENT. DOCUMENT**

SCALE: NONE DRAWN: R. CRAVEN
DATE: 6/27/00 CHKD.:
DESIGN:
C MFG.:

BOSTON WHALER
ENGINEERING DEPARTMENT

TITLE: SWITCH SUB ASSEMBLY
275 CONQUEST

CODE	MODEL YEAR	CHANGES	DATE	BY	RC
	2002		04/22/02		
REVISIONS					

DWG. NO. PB275CQ7

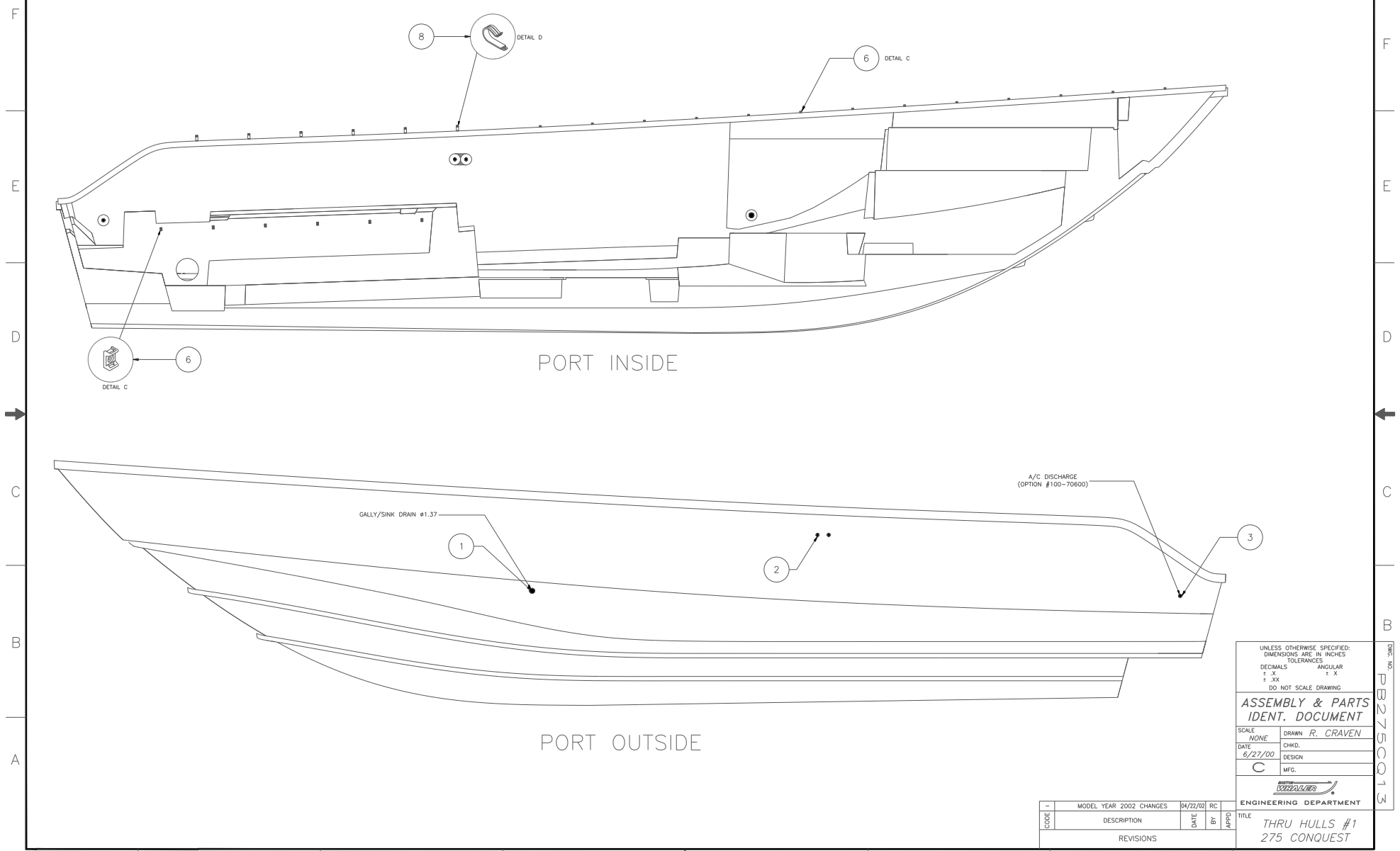
MODEL YEAR 2002 PARTS LIST

BOAT MODEL: 275 CONQUEST
DOCUMENT CONTROL NO: PB275CQ8

ITEM	QTY	U/M	Description	B.W.I NO.
1	8	EA.	SCREW, MACHINE #10-24 X 1 3/4" POH SC	0151555
2	14	EA.	WASHER, FLAT #10	0152918
3	14	EA.	NUT, HEX NYLON #10-24 SC	1007772
4	2	EA.	SWITCH, BATTERY SELECTOR W/O LOCK	0162693
5	16	EA.	WASHER, LOCK/SPLIT #1/4" SS	0153668
6	8	EA.	NUT, ACORN #10-24 SS	0152520
7	6	EA.	SCREW, MACHINE #10-24 X 1 1/4" POH SC	1008424
8	6	EA.	NUT, HEX NYLON LOCK #10-24 SC	1007772
9	3	EA.	BRKR, SURF MNT THERMAL 50AMP SWITCHABLE	1475441
10	1	EA.	BOX, ABS BW-00 BRKR	1449834
11	4	EA.	SCREW, TAPPING #8 X 1/2" PTH SC	1008812
12	1	EA.	1/2" FOAM PVC	1475987
13	3	EA.	BRKR, MANUAL RESET 5AMPS	0670497
14	1	EA.	BRKR, MANUAL RESET 15A	0670471
15	1	EA.	LABEL, CABIN MAIN (LEXAN)	1212547
16	1	EA.	LABEL, HELM MAIN (LEXAN)	1212687
17	1	EA.	LABEL, ANCHOR WINDLASS (LEXAN)	1212596
18	1	EA.	LABEL, BW DIGITAL OPTIMAX POSITIVE	1396720
19	1	EA.	LABEL, BW STEREO	1075266
20	1	EA.	LABEL, BW AFT BILGE PUMP	1075449
21	1	EA.	LABEL, BW FWD BILGE PUMP	1075431
22	4	EA.	BOOT, RESET BRKR CLR	1066547
23	1	EA.	SWITCH, BATTERY ON/OFF W/O LOCK W/O DISC	0162701

Boston Whaler, Inc.

DWG. NO. PB275CQ13



UNLESS OTHERWISE SPECIFIED:
DIMENSIONS ARE IN INCHES
TOLERANCES

DECIMALS	ANGULAR
± .X	± X
± .XX	

DO NOT SCALE DRAWING

ASSEMBLY & PARTS IDENT. DOCUMENT

SCALE	DRAWN <i>R. CRAVEN</i>
NONE	CHKD.
DATE <i>6/27/00</i>	DESIGN
<i>C</i>	MFG.

ENGINEERING DEPARTMENT

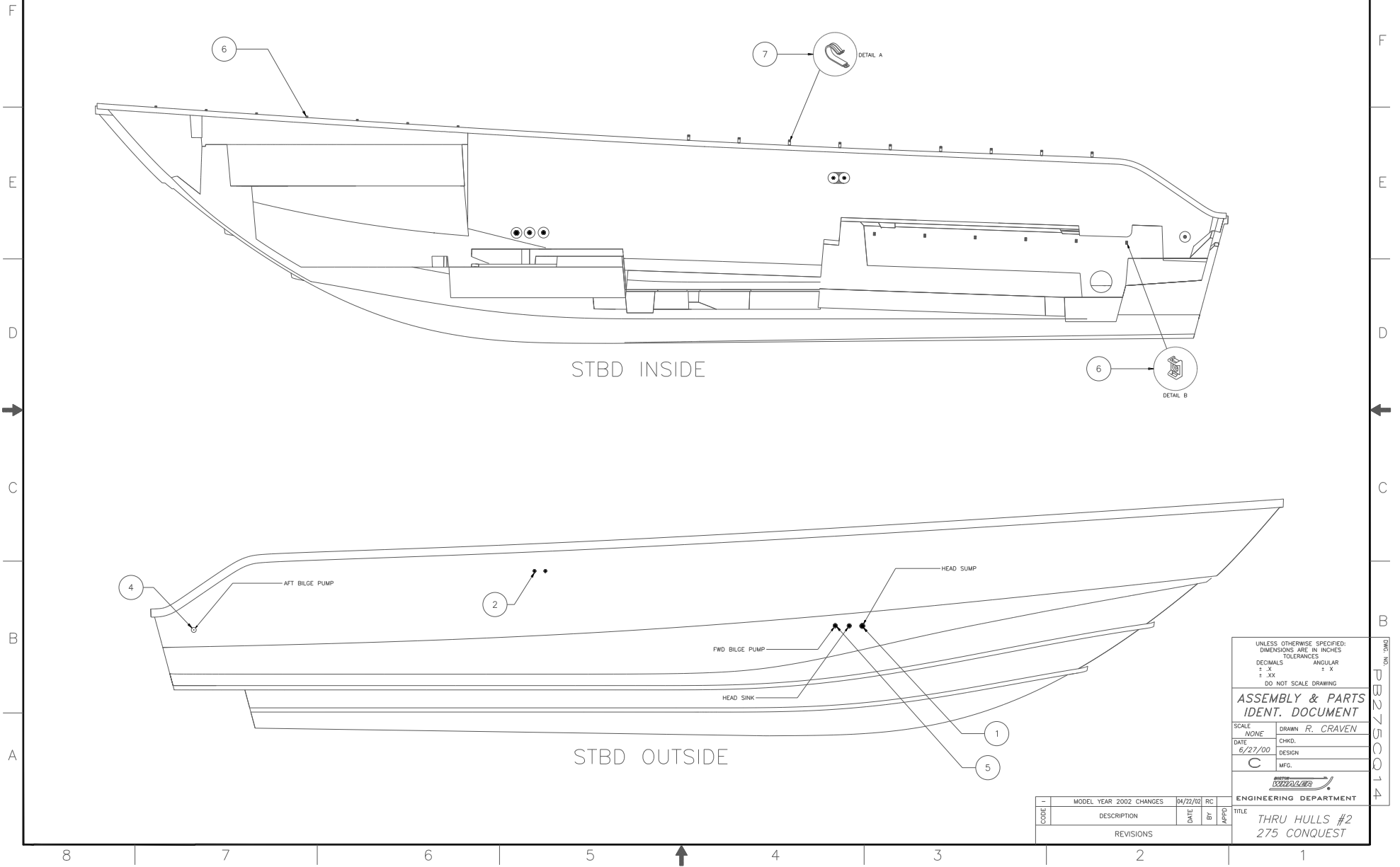
TITLE *THRU HULLS #1 275 CONQUEST*

CODE	MODEL YEAR	2002 CHANGES	DATE	BY	RC	APPROV
			<i>04/22/02</i>			
REVISIONS						

DWG. NO. PB275CQ13

Boston Whaler, Inc.

DWG. NO. PB275CQ14



UNLESS OTHERWISE SPECIFIED:
DIMENSIONS ARE IN INCHES
TOLERANCES

DECIMALS	ANGULAR
± .X	± X
± .XX	± XX

DO NOT SCALE DRAWING

ASSEMBLY & PARTS IDENT. DOCUMENT

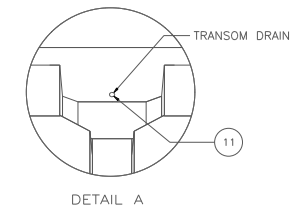
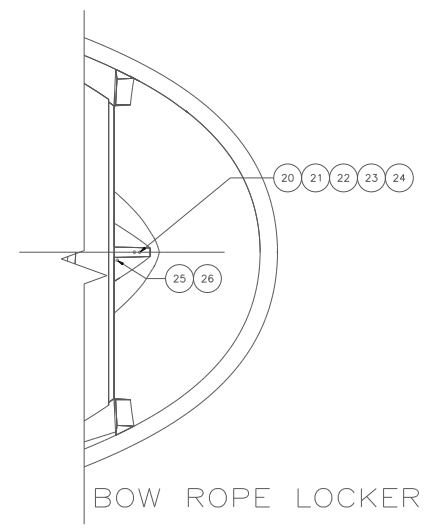
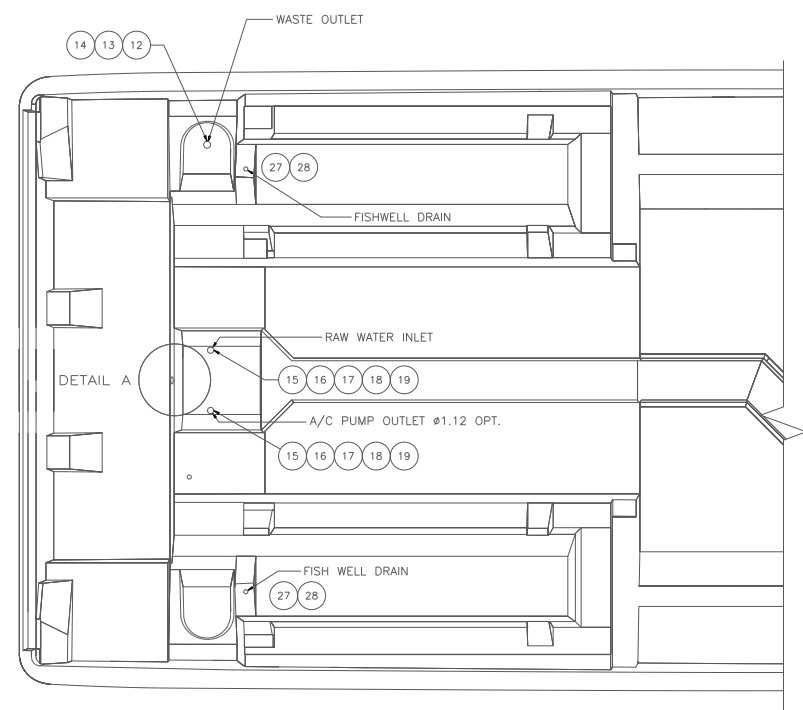
SCALE	NONE	DRAWN	R. CRAVEN
DATE	6/27/00	CHKD.	
		DESIGN	
		MFG.	

ENGINEERING DEPARTMENT

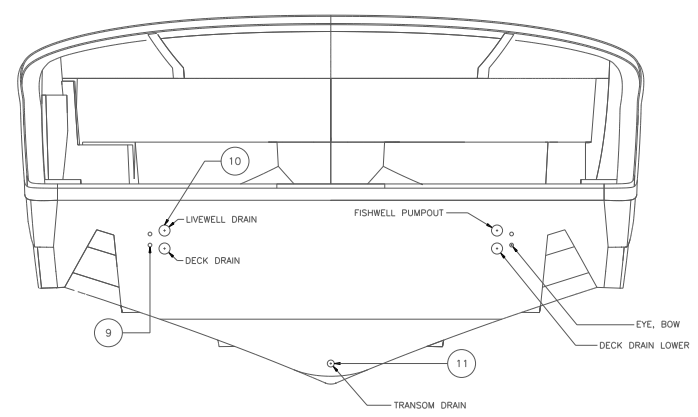
TITLE: THRU HULLS #2
275 CONQUEST

CODE	DESCRIPTION	DATE	BY	APPROD
	MODEL YEAR 2002 CHANGES	04/22/02	RC	
	REVISIONS			

DWG. NO. PB275CQ14



AFT BILGE LOCATIONS



NOTES:

1. ALL THRU HULLS WITH EXPOSED WOOD, FOAM AND PHENOLIC MUST BE BACKPAINTED.
2. ALL THRU HULLS IN THE BOTTOM OF THE HULL MUST BE IN A PUTTY BOX.
3. PRIOR TO INSTALLATION OF THRU HULLS CHECK TO SEE THAT ALL PUTTY BOXES HAVE CURED.
4. ALL THRU HULLS TO BE INSTALLED USING MARINE ADHESIVE.
5. FITTING CONNECTIONS BETWEEN METAL AND METAL USE PIPE DOPE TO SEAL.
6. FITTING CONNECTIONS BETWEEN METAL TO PLASTIC AND PLASTIC TO PLASTIC USE SILICONE TO SEAL.
7. ALL FASTENERS INTO HULL MUST BE SEALED WITH MARINE ADHESIVE, SEALED FLUSH, AND WITH NO BURRS.
8. ALL THRU HULLS ABOVE WATER LINE MUST BE ALIGNED.
9. MOLDING FLANGE NEEDS TO BE CUT AND ROUTED FLUSH.

UNLESS OTHERWISE SPECIFIED:
DIMENSIONS ARE IN INCHES
TOLERANCES

DECIMALS	ANGULAR
$\pm .X$	$\pm X$
$\pm .XX$	$\pm .XX$

DO NOT SCALE DRAWING

ASSEMBLY & PARTS IDENT. DOCUMENT

SCALE	NONE	DRAWN	R. CRAVEN
DATE	6/27/00	CHKD.	
		DESIGN	
		MFG.	

ENGINEERING DEPARTMENT

MODEL YEAR	2002	CHANGES	04/22/02	RC	
CODE		DESCRIPTION	DATE	BY	APPRO
REVISIONS					

TITLE
THRU HULLS #3
275 CONQUEST

MODEL YEAR	2002	CHANGES	04/22/02	RC	
CODE		DESCRIPTION	DATE	BY	APPRO
REVISIONS					

DWG. NO. PB275CQ15

MODEL YEAR 2002 PARTS LIST

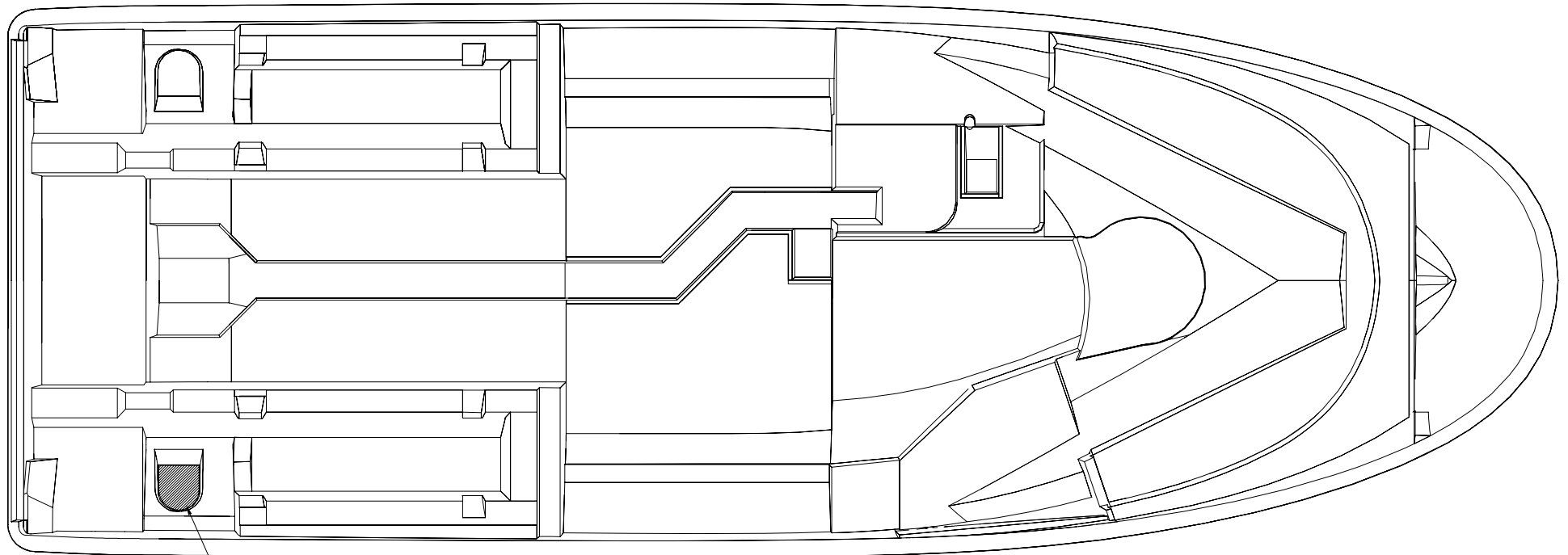
BOAT MODEL: 275 CONQUEST
DOCUMENT CONTROL NO: PB275CQ16

ITEM	QTY	U/M	DESCRIPTION	B.W.I.	NO.
1	3	EA.	THRU-HULL, CHR BRZ 1"	1176809	
2	4	EA.	VENT, FUEL TANK 3/4" SS STRAIGHT	0859157	
3	1	EA.	THRU-HULL, CHR/BRZ 5/8"	1211960	
4	1	EA.	THRU-HULL, CHR/BRZ 1 1/8"	0973693	
5	2	EA.	THRU-HULL, CHR/BRZ 3/4"	0579896	
6	32	EA.	TIE, CLIP BLK	1031764	
7	9	EA.	CLIP, SUPPORT 2.25" DIA	1040344	
8	6	EA.	CLIP, SUPPORT 1 3/8" DIA.	1040336	
9	2	EA.	EYE, BOW 5/8" X 4" SS (P & S)	1319664	
10	4	EA.	THRU-HULL, CHR/BRZ 1.5" RECESSED LONG W/SCUPPER (P & S)	1319847	
11	1	EA.	THRU-HULL, PLAS DRN W/FLNG/ORING/PLUG	1042050	
12	1	EA.	VALVE, MARELON BALL 2-WAY 1"	0581355	
13	1	EA.	THRU-HULL, BRS 1" X 4 7/8"	0861153	
14	1	EA.	ELBOW, MARELON 1" MPT X 1" BARB X 90 DEG.	0995555	
15	2	EA.	VALVE, MARELON BALL 2-WAY 3/4"	0557959	
16	2	EA.	THRU-HULL, BRZ3/4" W/NUT X-LONG	1032499	
17	2	EA.	ELB, MARELON3/4" MPT X 3/4" BARB X 90 DEG	0567958	
18	2	EA.	STRAINER, MARELON 3/4" SCREEN ONLY	0995589	
19	12	EA.	SCREW, TAPPING #6A X 3/4" POH	1008564	
20	1	EA.	EYE, BOW 5/8" X 5.75" SS	0995522	
21	1	EA.	EYE, LIFTING 5/8" RND CHR	1033075	
22	1	EA.	NUT, ACORN #5/8-11 SS	1062942	
23	4	EA.	WASHER, LOCK/SPLIT 5/8" SS	0259234	
24	1	EA.	PLATE, BW-97 B/U U-BOLT	1058999	
25	2	EA.	DRAIN, SLEEVE FLUSH IMPACT 5/8"	0518878	
26	1	FT.	TUBING, WATER LINE 3/8" ID X 1/2" OD	0896605	
27	2	EA.	THRU-HULL, PVC PRESS-FIT	1042084	
28	2	EA.	NUT, PVC RETAINING THRU-HULL	1042068	

THIS DOCUMENT IS THE PROPERTY OF BOSTON WHALER, INC. PD&E DEPT., EDGEWATER, FLORIDA. ALL RIGHTS ARE RESERVED. THIS DOCUMENT AND INFORMATION CONTAINED MUST NOT BE COPIED OR DISCLOSED TO OTHERS WITHOUT WRITTEN PERMISSION OF BOSTON WHALER, INC.

DWG. NO:
1619642

REVISIONS		BY	DATE	APPVD.	ECN NO.
REV.	DESCR.				
X	X	X	X	X	X

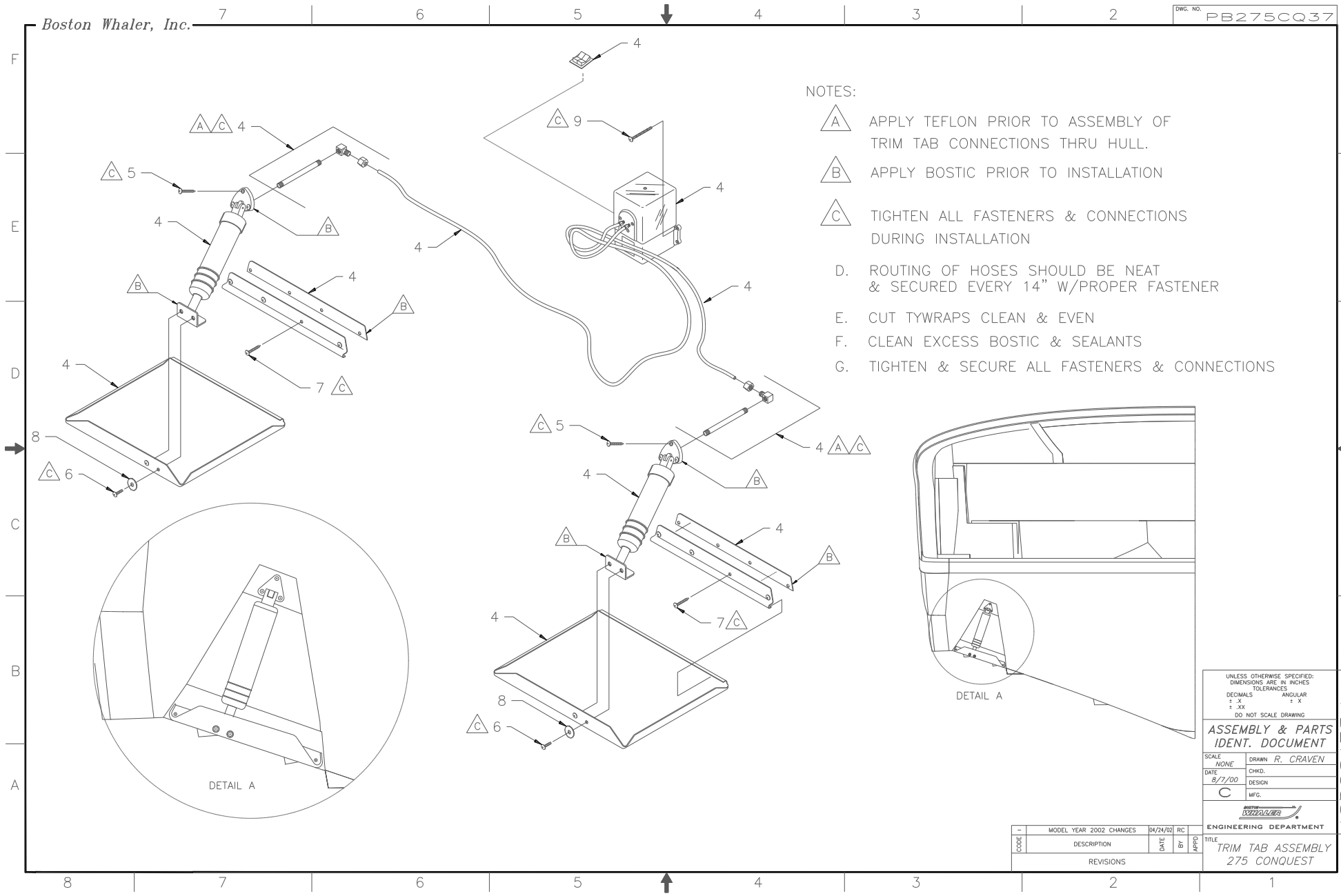


THRU-HULL TRANSDUCER LOCATION.



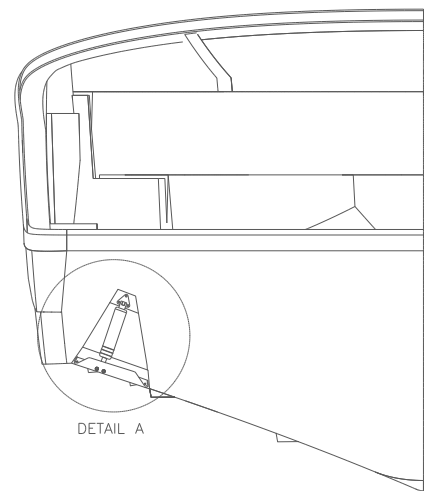
CHECKED:	DATE:	FILENAME:	Enge\VENDDORPARTS\
APPD:	DATE:	DRAWN:	R. DURHAM DATE: 04/19/01 SCALE: NONE
DESIGN:	DATE:	DWG. TITLE:	DIAGRAM, TRANSDUCER LOCN
MFG:	DATE:		275 CONQUEST

INIT. REL. ECN NO:	DWG. NO:	SHT. NO.
01-115	1619642	1 of 1



NOTES:

- A APPLY TEFLON PRIOR TO ASSEMBLY OF TRIM TAB CONNECTIONS THRU HULL.
- B APPLY BOSTIC PRIOR TO INSTALLATION
- C TIGHTEN ALL FASTENERS & CONNECTIONS DURING INSTALLATION
- D. ROUTING OF HOSES SHOULD BE NEAT & SECURED EVERY 14" W/PROPER FASTENER
- E. CUT TYWRAPS CLEAN & EVEN
- F. CLEAN EXCESS BOSTIC & SEALANTS
- G. TIGHTEN & SECURE ALL FASTENERS & CONNECTIONS



UNLESS OTHERWISE SPECIFIED:
DIMENSIONS ARE IN INCHES
TOLERANCES

DECIMALS	ANGULAR
± .X	± X
± .XX	± .XX

DO NOT SCALE DRAWING

ASSEMBLY & PARTS IDENT. DOCUMENT

SCALE	NONE	DRAWN	R. CRAVEN
DATE	8/7/00	CHKD.	
		DESIGN	
		MFG.	

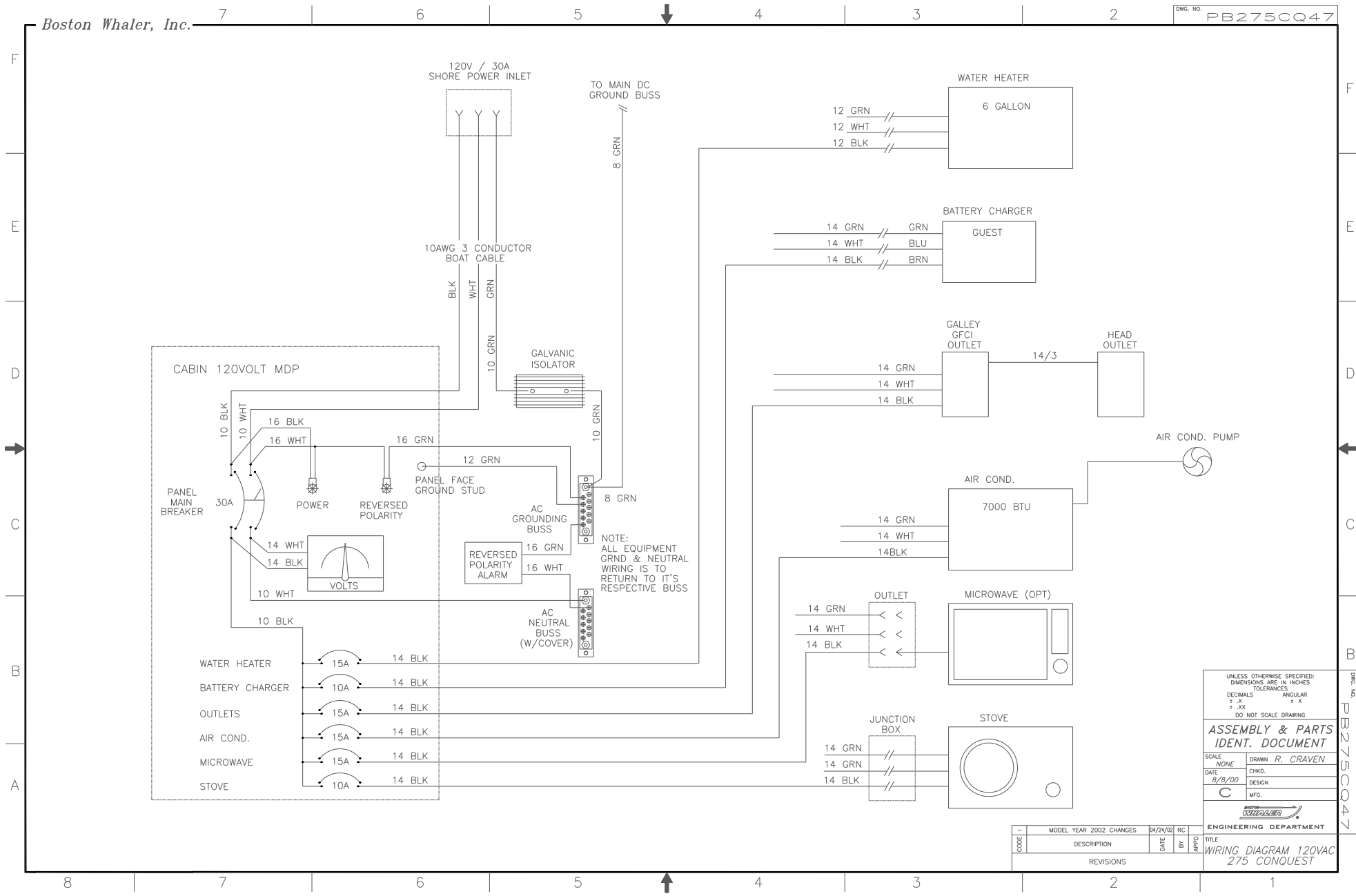
BOSTON WHALER

ENGINEERING DEPARTMENT

TITLE
TRIM TAB ASSEMBLY
275 CONQUEST

CODE	MODEL YEAR	CHANGES	DATE	BY	RC	APPRO
			04/24/02			
REVISIONS						

DWG. NO. PB275CQ37



UNLESS OTHERWISE SPECIFIED:
 DIMENSIONS ARE IN INCHES
 TOLERANCES
 DECIMALS ANGULAR
 ± .X ± X
 ± .XX ± .XX
 DO NOT SCALE DRAWING

ASSEMBLY & PARTS IDENT. DOCUMENT

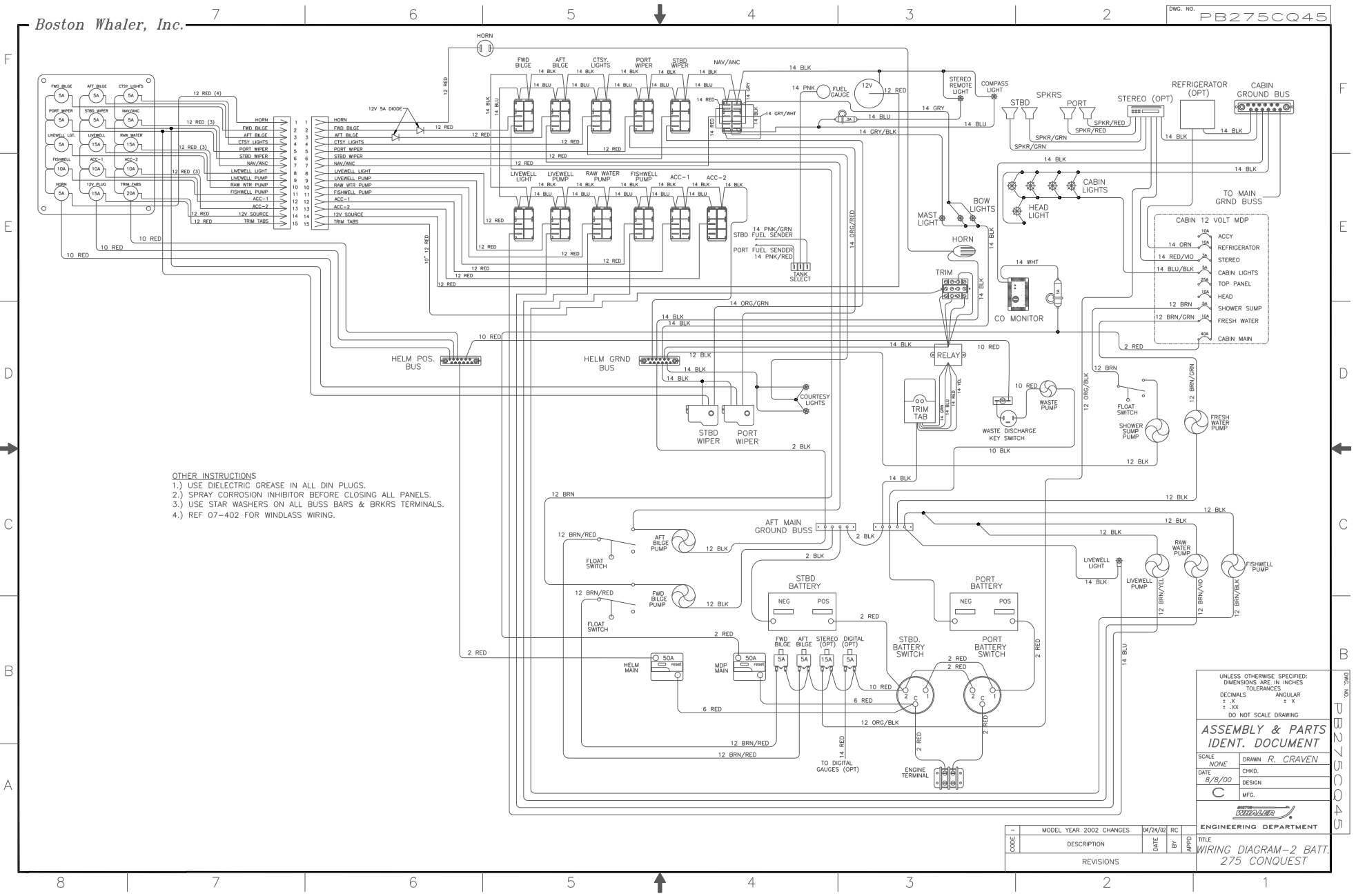
SCALE: NONE DRAWN: R. CRAVEN
 DATE: 8/8/00 CHKD.:
 DESIGN:
 MFG.:
 BUTLER EXPANDED

CODE	DESCRIPTION	DATE	BY	APPD
-	MODEL YEAR 2002 CHANGES	04/24/02	RC	
REVISIONS				

ENGINEERING DEPARTMENT

TITLE: WIRING DIAGRAM 120VAC 275 CONQUEST

DWG. NO. PB275CQ47



- OTHER INSTRUCTIONS**
- 1.) USE DIELECTRIC GREASE IN ALL DIN PLUGS.
 - 2.) SPRAY CORROSION INHIBITOR BEFORE CLOSING ALL PANELS.
 - 3.) USE STAR WASHERS ON ALL BUSS BARS & BRKRS TERMINALS.
 - 4.) REF 07-402 FOR WINDLASS WIRING.

UNLESS OTHERWISE SPECIFIED:
 DIMENSIONS ARE IN INCHES
 DECIMALS ANGULAR
 ± .X ± X
 ± .XX ± .XX
 DO NOT SCALE DRAWING

ASSEMBLY & PARTS IDENT. DOCUMENT

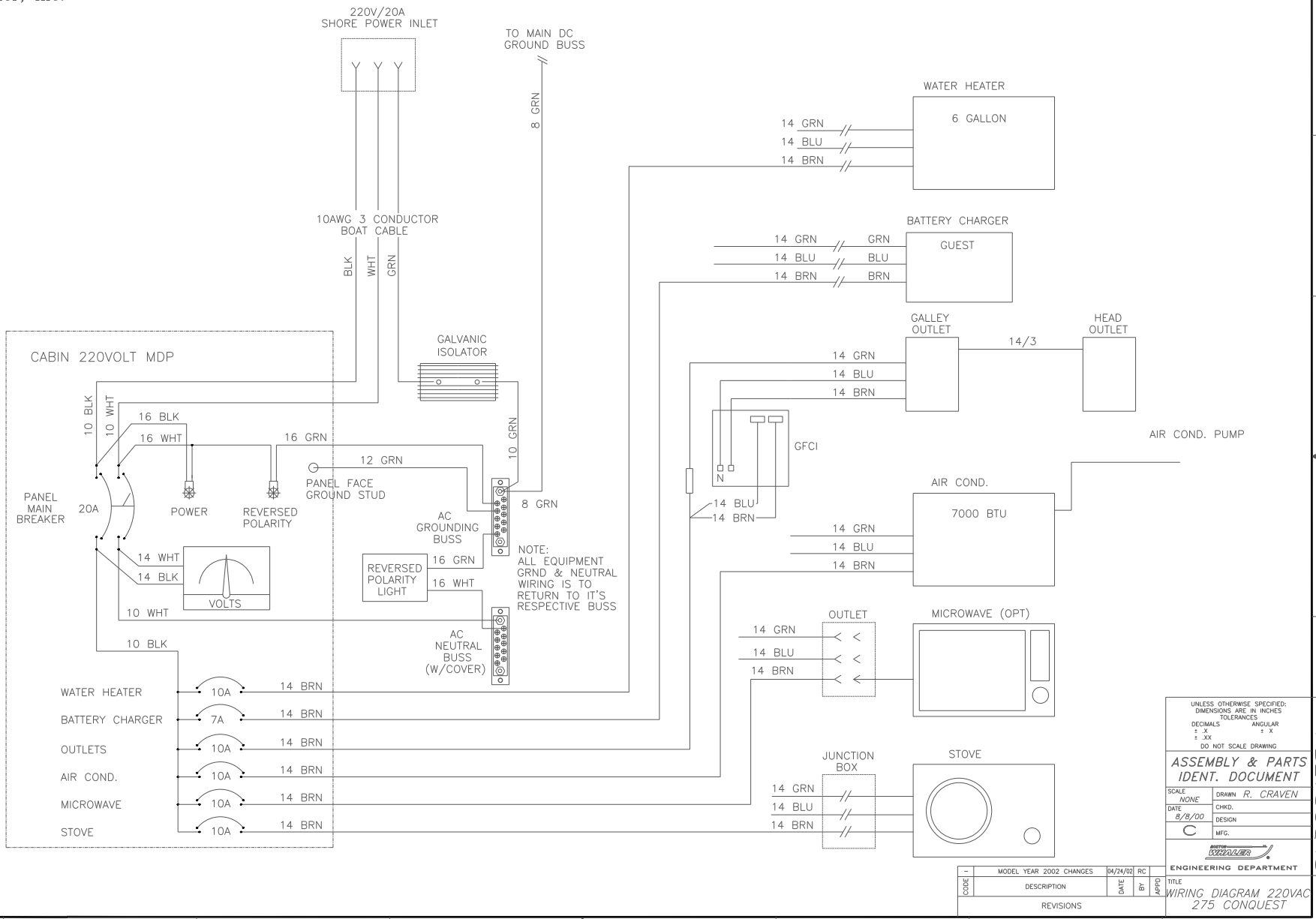
SCALE: NONE DRAWN: R. CRAVEN
 DATE: 8/8/00 CHKD.:
 DESIGN:
 MFG.:

ENGINEERING DEPARTMENT

MODEL YEAR	2002 CHANGES	DATE	BY	RC
		04/24/02		

CODE	DESCRIPTION	DATE	BY	RC

TITLE
**WIRING DIAGRAM-2 BATT.
 275 CONQUEST**



NOTE:
ALL EQUIPMENT
GRND & NEUTRAL
WIRING IS TO
RETURN TO IT'S
RESPECTIVE BUSS

UNLESS OTHERWISE SPECIFIED:
DIMENSIONS ARE IN INCHES
TOLERANCES
DECIMALS ANGULAR
± .X ± X
± .005 ± .005
DO NOT SCALE DRAWING

**ASSEMBLY & PARTS
IDENT. DOCUMENT**

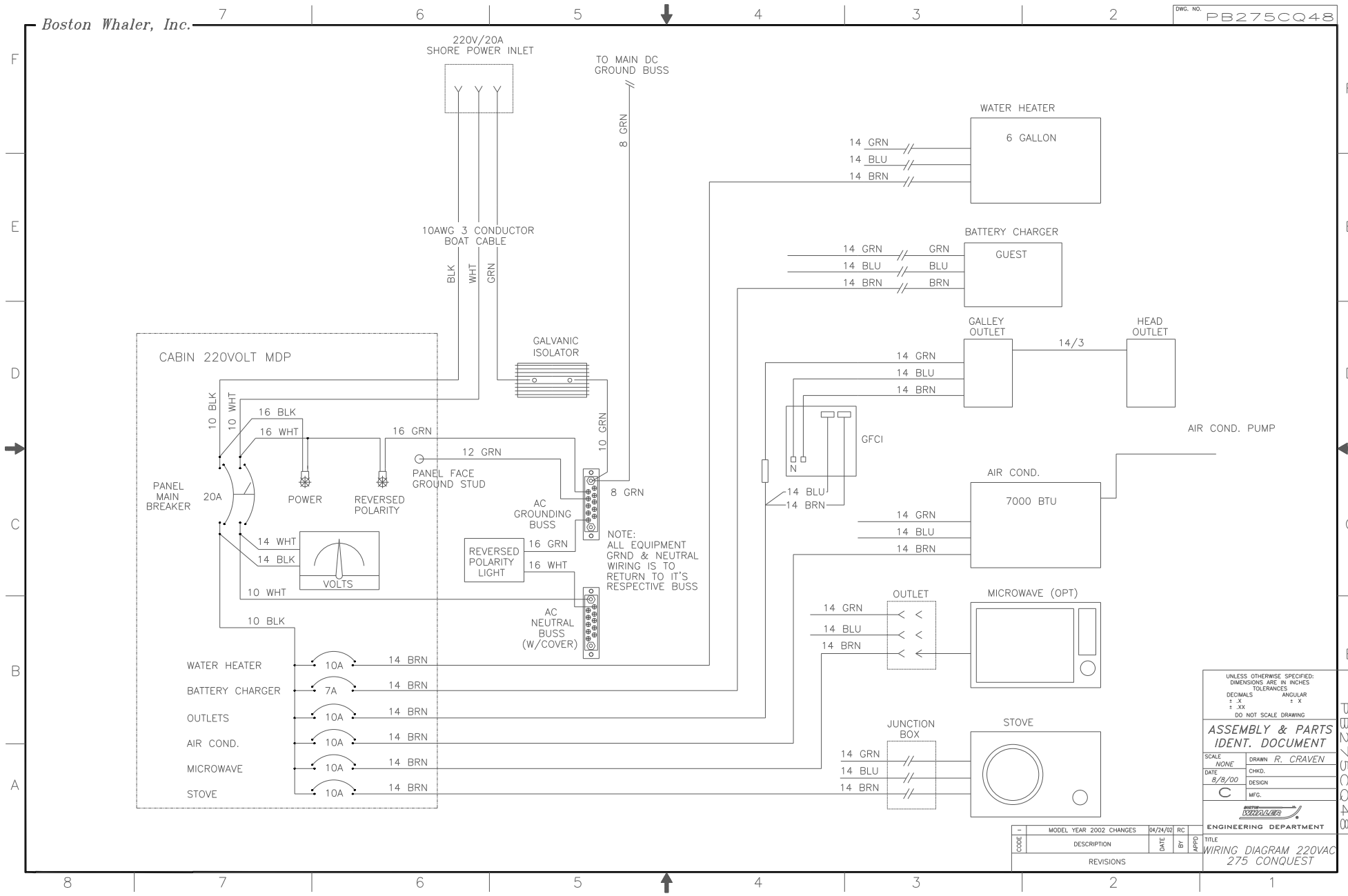
SCALE: NONE DRAWN: R. CRAVEN
DATE: 8/8/00 CHKD.:
DESIGN:
MFG.:

EXPRESS

ENGINEERING DEPARTMENT

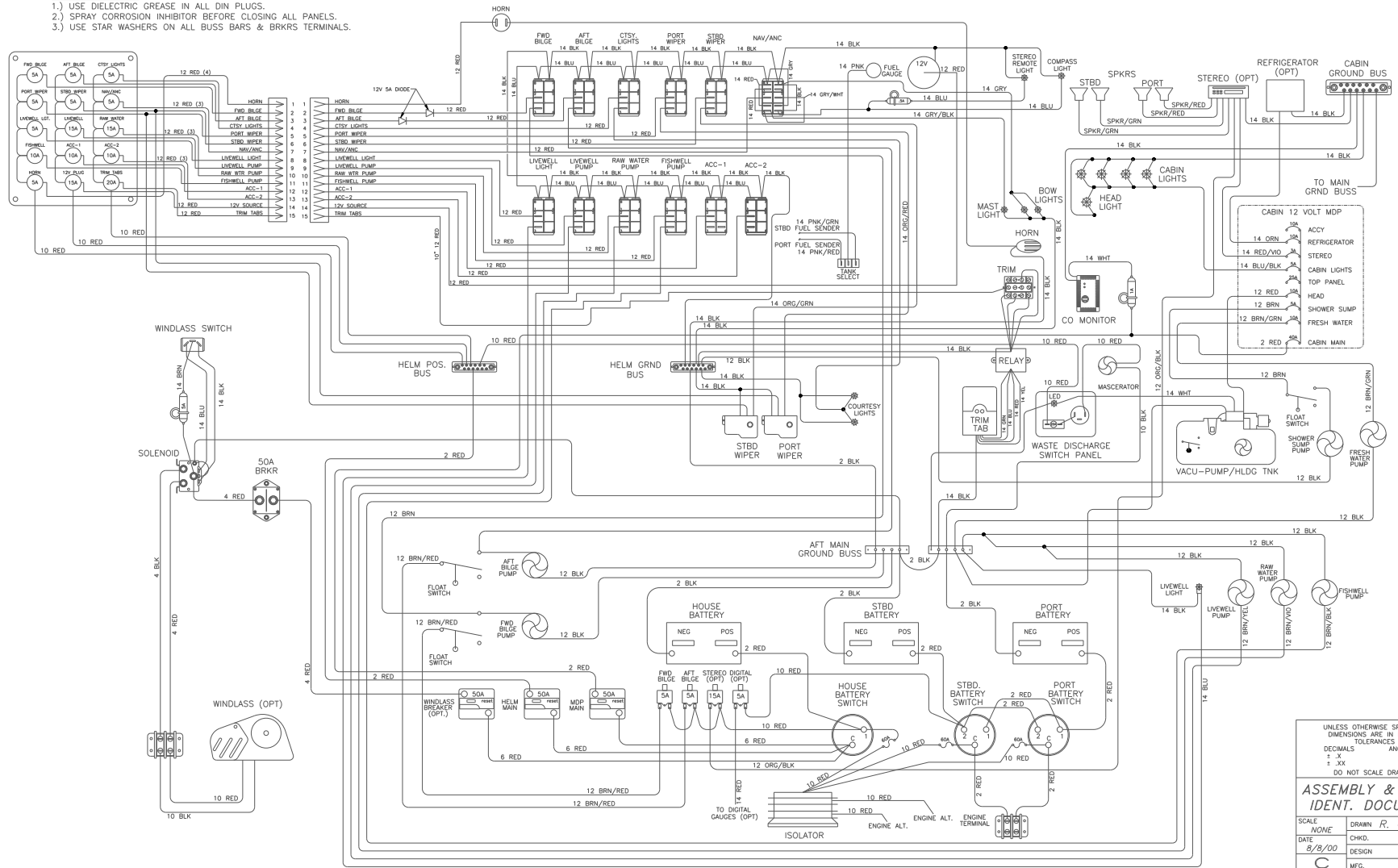
CODE	MODEL YEAR	2002 CHANGES	DATE	BY	RC	APPD
			04/24/02			
REVISIONS						

TITLE
WIRING DIAGRAM 220VAC
275 CONQUEST



OTHER INSTRUCTIONS

- 1.) USE DIELECTRIC GREASE IN ALL DIN PLUGS.
- 2.) SPRAY CORROSION INHIBITOR BEFORE CLOSING ALL PANELS.
- 3.) USE STAR WASHERS ON ALL BUSS BARS & BRKRS TERMINALS.



UNLESS OTHERWISE SPECIFIED:
 DIMENSIONS ARE IN INCHES
 DECIMALS TOLERANCES
 .X ANGULAR ± X
 .XX ± .XX
 DO NOT SCALE DRAWING

ASSEMBLY & PARTS IDENT. DOCUMENT

SCALE NONE DRAWN R. CRAVEN
 DATE 8/8/00 CHKD.
 DESIGN
 C MFG.

EXPRESS
 ENGINEERING DEPARTMENT

MODEL YEAR	2002 CHANGES	04/24/02	RC
CODE	DESCRIPTION	DATE	BY

REVISIONS

TITLE
 WIRING DIAGRAM-3 BATT
 275 CONQUEST