

PLAN-VIEW

STBD AFT QTR.

AREA BENEATH MOTORWELL / STBD STERN SEAT SHOWN ONLY ON THIS SIDE TO CLARIFY HOSE ROUTING.

ASSEMBLY & PARTS IDENT. DOCUMENT

SCALE	NONE	DRAWN	J. DAIGLE
DATE	06/14/04	CHECKED	X
		DESIGN	X
		MFG.	X



ENGINEERING DEPARTMENT
TITLE: BILGE PUMP ASSEMBLY 190NT

CODE	DESCRIPTION	DATE	BY	APP'D
1	2005 MODEL YEAR UPDATE	6/14/04	JED	
REVISIONS				

DWG. NO. PB190NT03

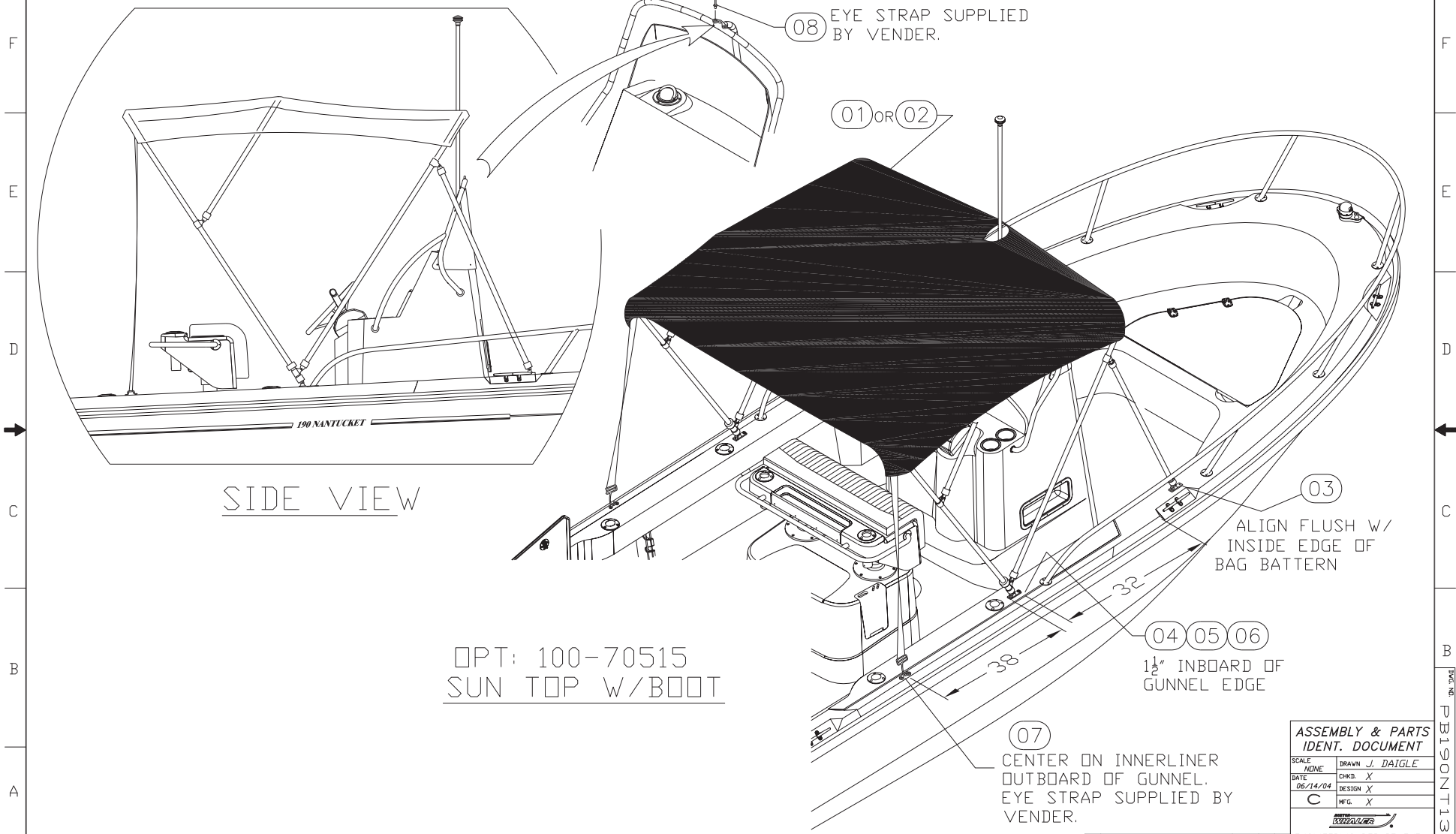
MODEL YEAR 2005 PARTS LIST

BOAT MODEL: 190 NANTUCKET
DOCUMENT CONTROL NO: PB190NT04

ITEM	QTY.	U/M	DESCRIPTION	BWI NO.
01	1	EA.	PUMP, BILGE 1100GPH	1480094
02	1	EA.	SWITCH, FLOAT RULE W/CVR	989335
03	4	EA.	SCREW, TAPPING #8A x 5/8" PTH SC	1010925
04	2	EA.	SCREW, TAPPING #8A X 1" PPH SC	1213115
05	0	FT.	HOSE, WATER 1-1/8" BLK	1042076
06	2	EA.	TIE, CLIP BLK	1031764
07	2	EA.	TIE, CABLE 11" MED NYLON BLK	0157321
08	2	EA.	CLAMP, HOSE #16 3/4"-1.5" SS .505	0256685
09	2	EA.	COVER, CLAMP END PROT 1/2"L X .045"X .465"RED	0830968

Boston Whaler, Inc.

DWG. NO. PB190NT13



SIDE VIEW

OPT: 100-70515
SUN TOP W/BOOT

08 EYE STRAP SUPPLIED BY VENDER.

01 OR 02

03 ALIGN FLUSH W/ INSIDE EDGE OF BAG BATTERN

04 05 06
1 1/2" INBOARD OF GUNNEL EDGE

07 CENTER ON INNERLINER OUTBOARD OF GUNNEL. EYE STRAP SUPPLIED BY VENDER.

ASSEMBLY & PARTS IDENT. DOCUMENT

SCALE	NONE	DRAWN	J. DAIGLE
DATE	06/14/04	CHECKED	X
		DESIGN	X
		MEG.	X

ENGINEERING DEPARTMENT

CODE	DESCRIPTION	DATE	BY	APP'D
-	2005 MODEL YEAR UPDATE	06/14/04	JED	
REVISIONS				

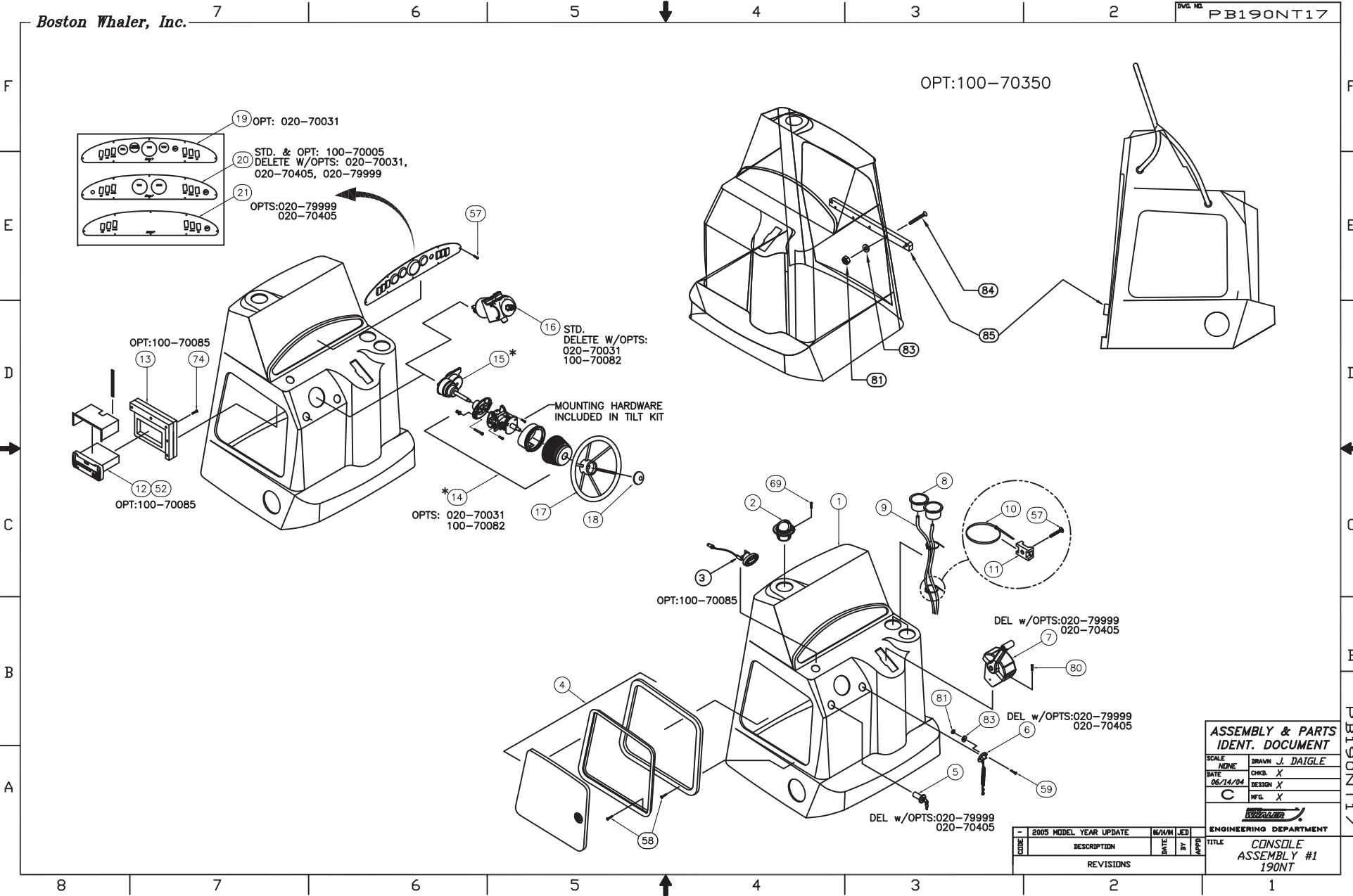
TITLE CANVAS OPTION 190NT

DWG. NO. PB190NT13

MODEL YEAR 2005 PARTS LIST

BOAT MODEL: 190 NANTUCKET
DOCUMENT CONTROL NO: PB190NT14

ITEM	QTY.	U/M	DESCRIPTION	B.W.I. NO.
1	1	EA.	CANVAS, BW190NT-03 BIM TOP W/BOOT BLUE	1747703
2	1	EA.	CANVAS, BW190NT-04 BIM TOP W/BOOT BLK	1753219
3	4	EA.	SCREW, TAPPING #10A X 1.25" PFH SC	1259415
4	4	EA.	SCREW, MACHINE #10-24 X 1.75 POH SC	1215092
5	4	EA.	WASHER, FLAT #10 SC	1260751
6	4	EA.	NUT, HEX NYLON LOCK #10-24 SC	1007772
7	4	EA.	SCREW, TAPPING #6A X 1" POH SC	1213040
8	2	EA.	RIVET, POP/BLIND #3/16 X 3/8" SS	0192120



ASSEMBLY & PARTS IDENT. DOCUMENT

SCALE	NONE	DESIGNED BY	BRUNN J. DAIGLE
DATE	06/14/04	CHECKED BY	X
		DESIGN BY	X
		PREPARED BY	X



ENGINEERING DEPARTMENT
 TITLE: CONSOLE ASSEMBLY #1 190NT

DATE	DESCRIPTION	BY	CHKD	APP'D
2005 MODEL YEAR UPDATE		MA/UM	JED	
REVISIONS				

DWG. NO. PB190NT17

Boston Whaler, Inc.

7

6

5

4

3

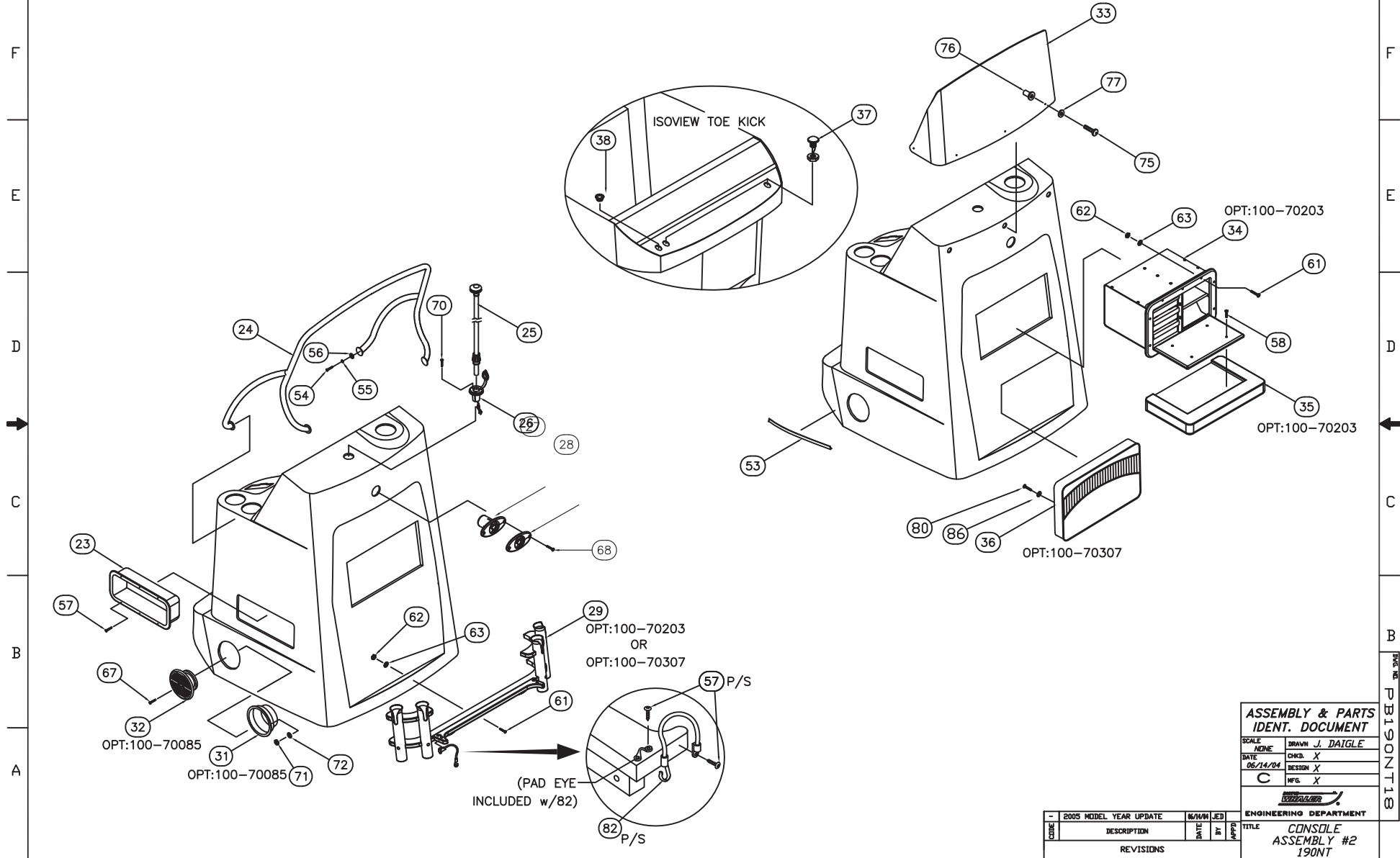
2

DWG. NO. PB190NT18

F
E
D
C
B
A

F
E
D
C
B
A

8 7 6 5 4 3 2 1



ASSEMBLY & PARTS IDENT. DOCUMENT			
SCALE	NONE	DRWN	J. DAIGLE
DATE	06/14/04	CHKD	X
		DESIGN	X
		PRG.	X
ENGINEERING DEPARTMENT			
TITLE		CONSOLE ASSEMBLY #2 190NT	

REV	DESCRIPTION	DATE	BY	IN	APP
1	2005 MODEL YEAR UPDATE		M/M	JED	
REVISIONS					

DWG. NO. PB190NT18



F

E

D

C

B

A

F

E

D

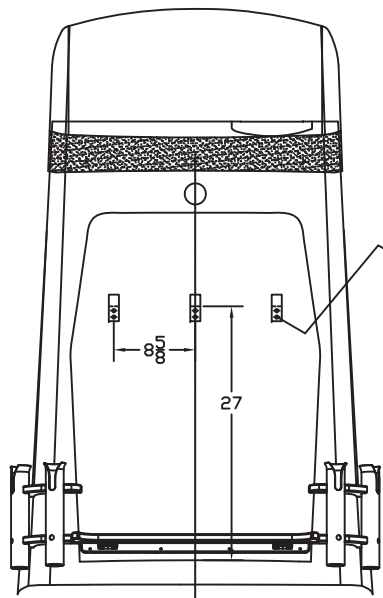
C

B

DWG. NO.

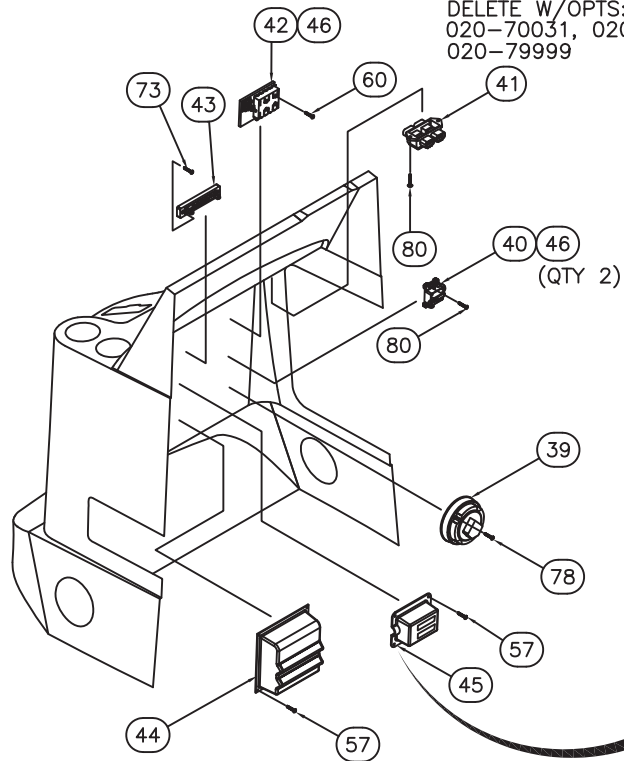
PB190NT19

STD. & 100-70005
 DELETE W/OPTS:
 020-70031, 020-70405,
 020-79999

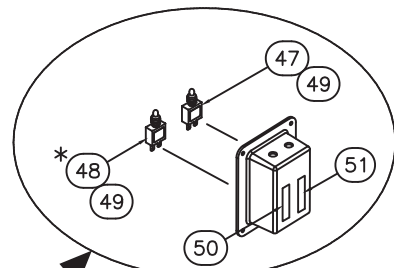


79
 (6 PLCS.)
 OPT:100-70307

27



40 46
 (QTY 2)



*#48, 49 & 50-OPT:100-70085

ASSEMBLY & PARTS IDENT. DOCUMENT

SCALE	NONE	DESIGNED BY	BRAYN J. DAIGLE
DATE	06/14/04	CHECKED BY	X
		DESIGN BY	X
		REC'D BY	X



ENGINEERING DEPARTMENT
 TITLE
 CONSOLE ASSEMBLY #3
 190NT

REV.	DESCRIPTION	DATE	BY	CHKD.	APP'D.
1	2005 MODEL YEAR UPDATE		B/JM	JED	
REVISIONS					



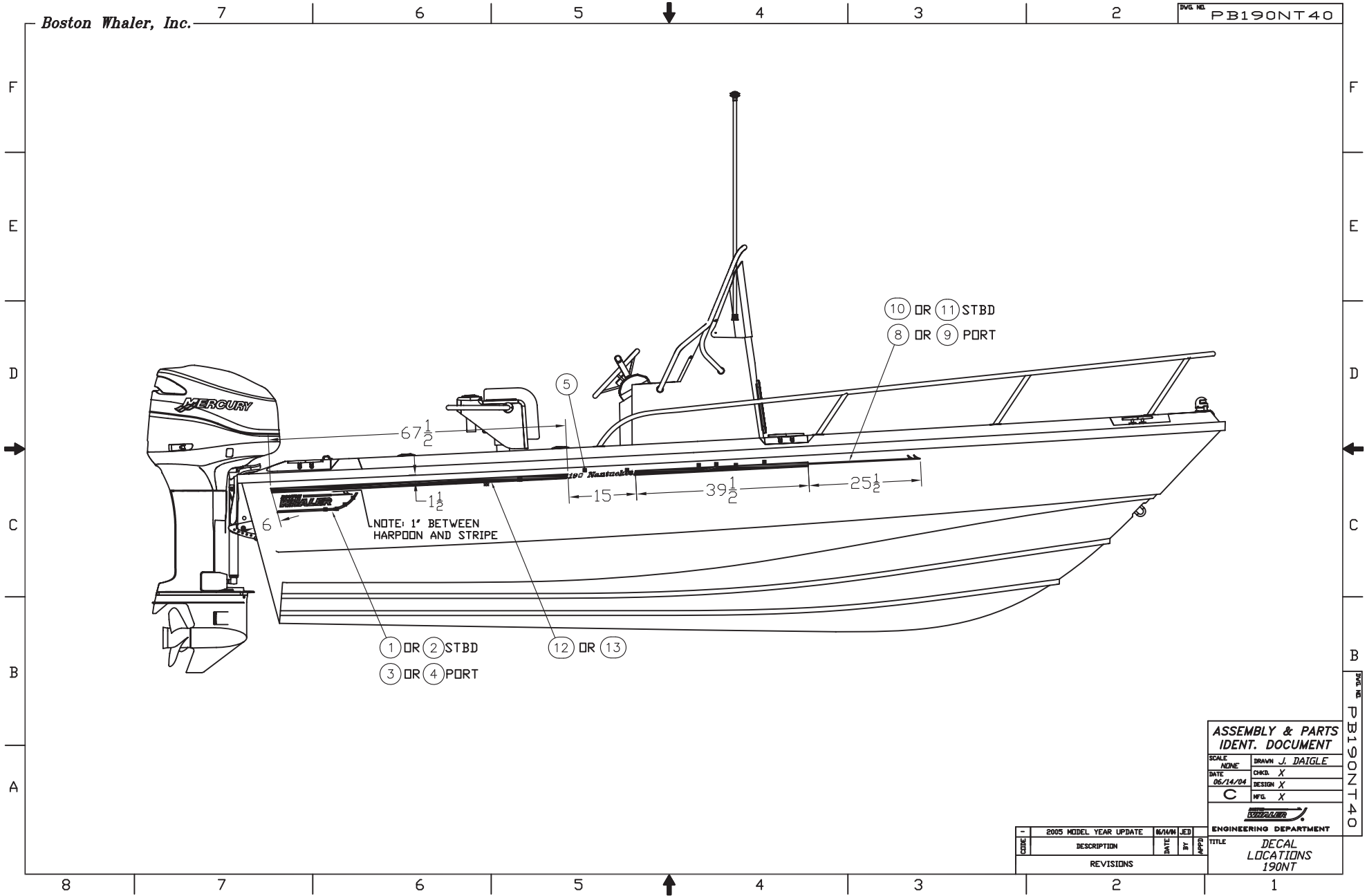
MODEL YEAR 2005 PARTS LIST

BOAT MODEL: 190 NANTUCKET
DOCUMENT CONTROL NO: PB190NT20

ITEM	QTY	U/M	DESCRIPTION	B.W.I. NO.
1	1	EA.	FIBERGLASS PART, CONSOLE	22-K164-00
2	1	EA.	COMPASS, FLUSH MT 3 7/8" BLK HOUSE/GRN LIGHT	1617638
3	1	EA.	STEREO, REMOTE CNTRL W/DIGITAL DISPLAY SS	1598465
4	1	EA.	DOOR, HDPE BW190NT/2100R-05 CNSL SEAFM	1771579
5	1	EA.	HARNESS, IGN/CHOKE ASSY 20'	1032788
6	1	EA.	ACC PART, MERC SWITCH (SAFETY ASSY)	0882605
7	1	EA.	CONTROL, CNSL MNT SGL N/HARNESS 4000 GEN II	1752911
8	2	EA.	DRINKHOLDR, PLAS W/DRAIN DEEP XLG SZ BLK	1727419
9	0	FT.	HOSE, PVC CLEAR 3/8"	0124347
10	3	EA.	TIE, CABLE 6" LG NYLON BLK	0999672
11	3	EA.	TIE, CLIP BLK	1031764
12	1	EA.	STEREO, AM/FM CD PLAYER DIGITAL REMOTE READY	1635127
13	1	EA.	PANEL, HDPE BW190NT-03 CLOSEOUT STEREO	1749879
14	1	EA.	STEERING, PERFORMANCE TILT MECHANISM	0662510
15	1	EA.	STEERING, HELM PERFORMANCE NFB TILT	0997213
16	1	EA.	STEERING, HELM PUMP SEA STAR I TILT	0317032
17	1	EA.	STEERING WHEEL, 15" DIA SS 25DEG	1020197
18	1	EA.	EMBLEM, BW STEERING WHL CAP	1021054
19	1	EA.	PANEL, BW190NT-05 INST MERC ANALOG W/SW	1772724
20	1	EA.	PANEL, BW190NT-05 INST MERC SC-1000 W/SW	1772719
21	1	EA.	PANEL, BLANK:BW190NT-05 INST W/SW	1772726
22	1	EA.	PANEL, BW190NT-03 INST MERC ANALOG 4-STK W/SW	1745208
23	1	EA.	BOX, ABS BW-97 FIRE EXT SHORT WHT	1037555
24	1	EA.	RAIL, GRAB BW190NT-03 CNSL SS	1747424
25	1	EA.	LIGHT, NAV A/R STERN 52"N/BEND	0574400
26	1	EA.	LIGHT, NAV STERN BASE RND CHR	0331751
27	1	EA.	HORN, SGL BLK NO CONN SERIES 84400-1	1780938
28	1	EA.	HORN, GRILL SGL SS OVERLAY SERIES 84400-1	1781252
29	1	EA.	HOLDER, HDPE BW190NT-03 ROD CNSL W/CLEAT	1747420
30	1	EA.	CLEAT, HDPE BW190NT-03 COOLER	1747421
31	2	EA.	COVER, ABS BW-97 SPKR 7 1/8"RAD WHT	1047836
32	2	EA.	SPEAKER, COAXIAL 6.5" W/WHT CVR & WHT TWEETER	1690555
33	1	EA.	W/S, BW190NT-03 CNSL CLEAR PLEX	1748933
34	1	EA.	BOX, HDPE BW190NT-03 TACKLE 3-DRWR	1747419
35	1	EA.	CUSH, BW190NT-03 B/R CNSL W/FISHING PKG	1747416
36	1	EA.	CUSH, BW190NT-03 B/R CNSL W/COOLER	1747414
37	2	EA.	LIGHT, COURTESY WATERPROOF FRONT MNT W/NUT	1078625
38	1	EA.	DRAIN, 1" IMPACT W/O BARB BLK	1041953
39	1	EA.	SWITCH, BATTERY ON/OFF W/O LOCK W/O DISC	0162701
40	1	EA.	BRKR, SURF MNT THERMAL 50AMP SWITCHABLE	1475441
41	1	EA.	ACC PART, MERC S-CRFT JUNC BOX 4-WAY	1507326
42	1	EA.	FUSE BLOCK, 10-GNG BLADE-TYPE W/BLANK LABELS	1688102
43	1	EA.	BUSS BAR, DC GROUND 10-POSITION	1013614
44	1	EA.	BOX, V/F BRKR BW190NT-03 WIRED W/PLUG	1745167
45	1	EA.	BOX, ABS BW-97 HARNESS	1037530
46	3	EA.	BOOT, PVC TERMINAL INSULATOR CAP RED	1689904
47	1	EA.	BRKR, MANUAL RESET 5A	0670497
48	1	EA.	BRKR, MANUAL RESET 15A	1750593
49	2	EA.	BOOT, RESET BRKR CLR	1066547
50	1	EA.	LABEL, BW STEREO	1075266
51	1	EA.	LABEL, BILGE (LEXAN)	0756866
52	1	EA.	ANTENNA LEAD, STEREO SOFT WIRE 30"	0875484
53	5	FT.	MOLDING, VINYL "L" OFF-WHT W/ADH	1020924
54	4	EA.	SCREW, MACHINE #1/4-20 X 1" PPH SC	1008580
55	4	EA.	WASHER, LOCK/SPLIT 1/4" SC	1260595
56	4	EA.	WASHER, FENDER 1/4"X 1.25" SC	1260678
57	33	EA.	SCREW, TAPPING #8A X 5/8" PTH SC	1010925
58	23	EA.	SCREW, TAPPING #8A X 3/4" PFH SC	1008408
59	2	EA.	SCREW, MACHINE #10-24 X 2" POH SC	1010479
60	4	EA.	SCREW, TAPPING #8A X 1.25" PPH SC	1010644
61	13	EA.	SCREW, MACHINE #8-32 X 1.25" PTH SC	1008721
62	13	EA.	NUT, HEX NYLON LOCK #8-32 SC	1260728
63	13	EA.	WASHER, FLAT #8 SC	1326297
64	8	EA.	SCREW, MACHINE #4-40 X 1" PFH SC	1259472
65	8	EA.	WASHER, FLAT #4" SC	1259639
66	8	EA.	NUT, HEX NYLON LOCK #4-40 SC	1667245
67	8	EA.	SCREW, MACHINE #6-32 X 1" PFH SC	1010172
68	2	EA.	SCREW, TAPPING #6A X 3/4" POH SC	1008564
69	3	EA.	SCREW, TAPPING #6A X 1" PFH SC	1010354
70	3	EA.	SCREW, TAPPING #6A X 1.25" POH SC	1008556
71	8	EA.	NUT, LOCK 6-32 SC	1009810
72	8	EA.	WASHER, FLAT #6 SC	1326222
73	2	EA.	SCREW, TAPPING #10A X 3/4" PTH SC	1008762
74	5	EA.	SCREW, TAPPING #10A X 2" POH SC	1261163
75	5	EA.	SCREW, MACHINE #10-32 X 1.25" PFH SC	1010107
76	5	EA.	NUT, WELL 10-32	1033422
77	5	EA.	WASHER, FINISH #10 SS	0896258
78	4	EA.	SCREW, TAPPING #10A X 1.5" PTH SC	1008747
79	6	EA.	RIVET, POP/BLIND #3/16 X 5/8" ALUM	0189415
80	10	EA.	SCREW, TAPPING #10A X 1" PTH SC	1008739
81	7	EA.	NUT, HEX NYLON LOCK #10-24 SC	1007772
82	2	EA.	STRAP, COOLER TAMER 7" CNSL MNT	1741035
83	7	EA.	WASHER, FLAT #10 SC	1260751
84	5	EA.	SCREW, MACHINE #10 X 24 X 1.5" POH SC	1305788
85	5	EA.	CLEAT, HDPE BW19NT-03 SUN LNG	1751616
86	2	EA.	WASHER, FENDER #10 X 1" SC	1260454

Boston Whaler, Inc.

DWG NO. PB190NT40



ASSEMBLY & PARTS IDENT. DOCUMENT

SCALE	NONE	DRAWN	J. DAIGLE
DATE	06/14/04	CHKD.	X
		DESIGN	X
		MFG.	X

C

ENGINEERING DEPARTMENT
TITLE
DECAL LOCATIONS 190NT

REV.	DESCRIPTION	DATE	BY	APP.
1	2005 MODEL YEAR UPDATE			
REVISIONS				

DWG NO. PB190NT40

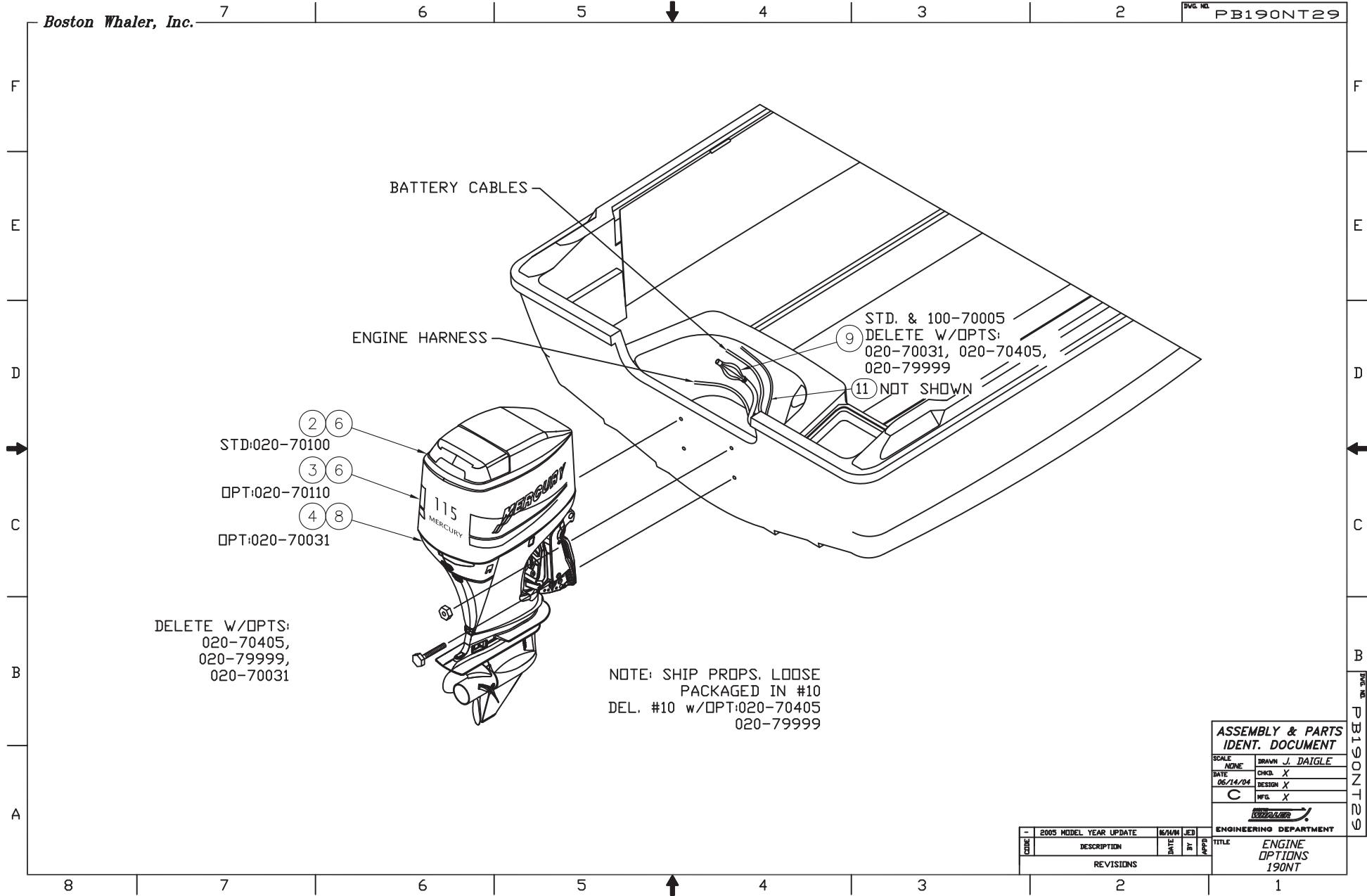
MODEL YEAR 2005 PARTS LIST

BOAT MODEL: 190 NANTUCKET
DOCUMENT CONTROL NO: PB190NT41

ITEM	QTY	U/M	DESCRIPTION	B.W.I. NO.
1	1	EA.	DECAL, BW-04 LOGO 20" DK BLUE STB (DRIP MOLD)	1752940
2	1	EA.	DECAL, BW-04 LOGO 20" RED STB (DRIP MOLD)	1752938
3	1	EA.	DECAL, BW-04 LOGO 20" RED PRT (DRIP MOLD)	1752937
4	1	EA.	DECAL, BW-04 LOGO 20" DK BLUE PRT (DRIP MOLD)	1752939
5	2	EA.	DECAL, BW-04 190NT GRY (DRIP MOLD)	1753481
6	2	EA.	DECAL, BW-03 190 CORBIN DK BLUE DRIP	1747647
7	2	EA.	DECAL, BW-03 190 FIRE RED DRIP	1747646
8	1	EA.	DECAL, BW-04 HARPOON PRT DK BLUE	1752933
9	1	EA.	DECAL, BW-04 HARPOON PRT WHLR RED	1752931
10	1	EA.	DECAL, BW-04 HARPOON STB DK BLUE	1752936
11	1	EA.	DECAL, BW-04 HARPOON STB WHLR RED	1752932
12	20	FT.	TAPE, SOLID 1" RED W/GRY PIN STRIP	1754509
13	20	FT.	TAPE, SOLID 1" DK BLUE W/GRY PIN STRIP	1754510

Boston Whaler, Inc.

DWG. NO. PB190NT29



- ② ⑥
STD:020-70100
- ③ ⑥
OPT:020-70110
- ④ ⑧
OPT:020-70031

DELETE W/OPTS:
020-70405,
020-79999,
020-70031

NOTE: SHIP PROPS. LOOSE
PACKAGED IN #10
DEL. #10 w/OPT:020-70405
020-79999

⑨
STD. & 100-70005
DELETE W/OPTS:
020-70031, 020-70405,
020-79999
⑪ NOT SHOWN

**ASSEMBLY & PARTS
IDENT. DOCUMENT**

SCALE	NONE	DESIGNED BY	BRAYN J. DAIGLE
DATE	06/14/04	CHECKED BY	X
	C	DESIGN BY	X
		PREP BY	X



ENGINEERING DEPARTMENT

REV.	DESCRIPTION	DATE	BY	APP'D
1	2005 MODEL YEAR UPDATE	6/14/04	JED	
REVISIONS				

TITLE
ENGINE
OPTIONS
190NT

DWG. NO. PB190NT29

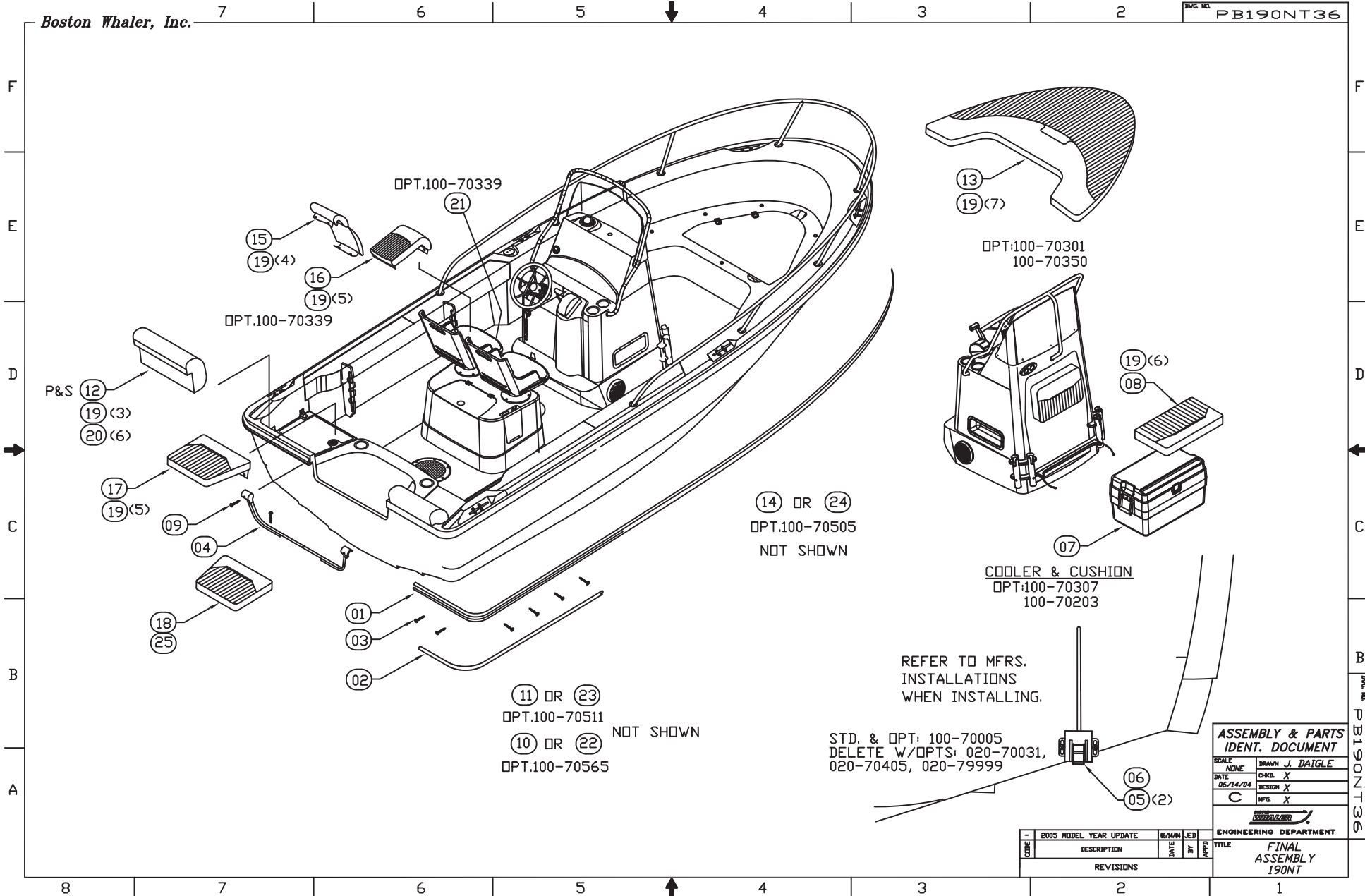
MODEL YEAR 2005 PARTS LIST

BOAT MODEL: 190 NANTUCKET
DOCUMENT CONTROL NO: PB190NT30

ITEM	QTY	U/M	DESCRIPTION	B.W.I. NO.
1	1	EA.	O/B, MERC 115EXLPTO 25"SHAFT SW	1753085
2	1	EA.	O/B, MERC 135XL OPTIMAX DIGITAL 25" SHAFT SW	1753089
3	1	EA.	O/B, MERC 150XL OPTIMAX DIGITAL 25" SHAFT SW	1753093
4	1	EA.	O/B, MERC 115 EXLPT 4-STROKE EFI 25" SHAFT	1750650
5	1	EA.	PROP, 13"X 19" ALUM BLACK MAX	0127381
6	1	EA.	PROP, 15.5"X 17" SS MIRAGE PLUS RH	0155820
7	0	EA.		
8	1	EA.	PROP, 13 3/8"X 14" SST RH	1050103
9	1	EA.	PRIMER BULB, W/FUEL LINE	1477900
10	1	EA.	POLY, 33" x 40" 33 GAL HVY CLR (NOT SHOWN)	1143163
11	3	FT.	HOSE, CONDUIT/EXPANDO-SHEATHING BLK 1.5"	0158402
12	1	EA.	O/B, MERC 115EXLPT OPTIMAX 25" SW	1754414
13	1	EA.	PROP, 13 1/8"X 16" VENGEANCE	1357821

Boston Whaler, Inc.

DWG. NO. PB190NT36



ASSEMBLY & PARTS IDENT. DOCUMENT

SCALE	NONE
DATE	06/14/04
DESIGN	X
REC'D	X

ENGINEERING DEPARTMENT

REV	DESCRIPTION	DATE	BY	CHKD	APP'D

TITLE FINAL ASSEMBLY 190NT

PAGE NO. PB190NT36

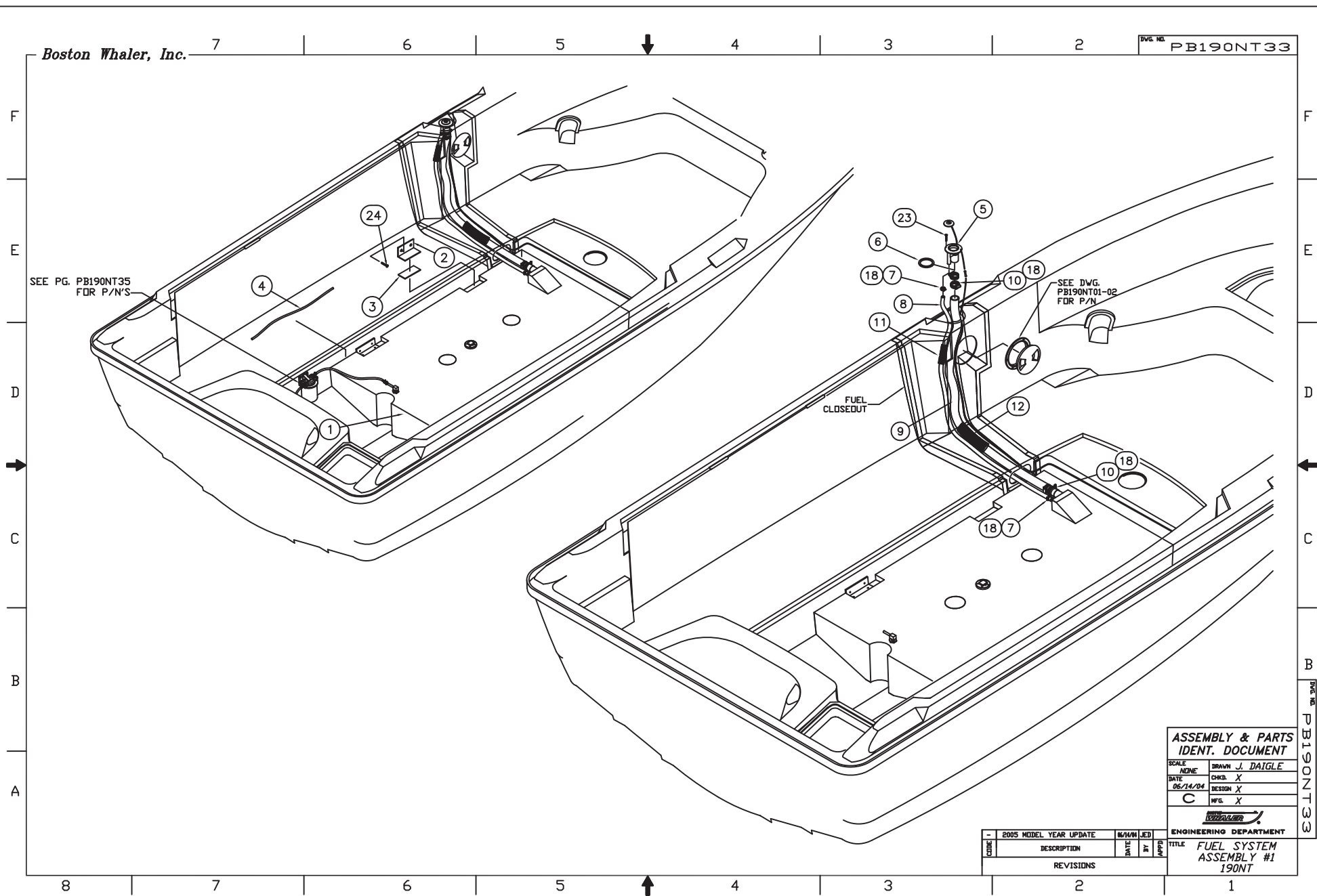
MODEL YEAR 2005 PARTS LIST

BOAT MODEL: 190 NANTUCKET
DOCUMENT CONTROL NO: PB190NT37

ITEM	QTY.	U/M	DESCRIPTION	B.W.I. NO.
1	1	EA.	RUBRAIL, PLASTIC CHAR 47'	1020916
2	1	EA.	INSERT, RUB RAIL CHAR FLEX 47'	1020825
3	100	EA.	SCREW, TAPPING #10A X 1.5" PFH SC	1010248
4	1	EA.	CAP, RUBRAIL BW190NT-03 TRNSM TRIM	1745135
5	2	EA.	SCREW, TAPPING #10A X 1" PTH SC	1008739
6	1	EA.	ACC PART, MERC SPEEDOMETER/ TEMP DIGITAL	1477942
7	1	EA.	COOLER, 54QT WHT	1016419
8	1	EA.	CUSH, BW-03 COOLER SEAT 54QT	1747396
9	4	EA.	SCREW, TAPPING #8A X 1" PTH SC	1008804
10	1	EA.	CANVAS, BW190NT-05 LEAN POST CVR BLK	1771138
11	2	EA.	CANVAS, BW190NT/255CQ-05 CVR PED SEAT BLK	1771142
12	2	EA.	CUSH, BW205EP-05 B/R QTR SEAT	1770505
13	1	EA.	CUSH, BW190NT-03 BOW	1745142
14	1	EA.	CANVAS, BW190NT-05 CNSL CVR BLK	1771136
15	2	EA.	CUSH, BW190NT-03 PEDESTAL SEAT B/R	1745138
16	2	EA.	CUSH, BW190NT-03 PEDESTAL SEAT BASE	1745137
17	1	EA.	CUSH, BW190NT/205EP-05 QTR SEAT PRT	1773810
18	1	EA.	CUSH, BW190NT-03 QTR SEAT STB	1745140
19	44	EA.	SNAP STUD, W/#8 X 3/8" PH BR/NI/SS	0203786
20	12	EA.	SCREW, TAPPING #6A X 3/4" PFH SC	1010370
21	2	EA.	SEAT, HELM BW210DR-02 PED N/CUSH MILLENNIUM	1686593
22	1	EA.	CANVAS, BW190NT-05 LEAN POST CVR BLUE	1771139
23	1	EA.	CANVAS, BW190NT/255CQ-05 CVR PED SEAT BLUE	1771143
24	1	EA.	CANVAS, BW190NT-05 CNSL CVR BLUE	1771137
25	5	EA.	SNAP STUD, W/#8 X 5/16" PH BR/NI/SS	1783207

Boston Whaler, Inc.

DWG. NO. PB190NT33



SEE PG. PB190NT35 FOR P/N'S

SEE DWG. PB190NT01-02 FOR P/N

FUEL CLOSEOUT

ASSEMBLY & PARTS IDENT. DOCUMENT

SCALE	NONE	DESIGNED BY	BRAYN J. DAIGLE
DATE	06/14/04	CHECKED BY	X
		DESIGN BY	X
		APP. BY	X



ENGINEERING DEPARTMENT

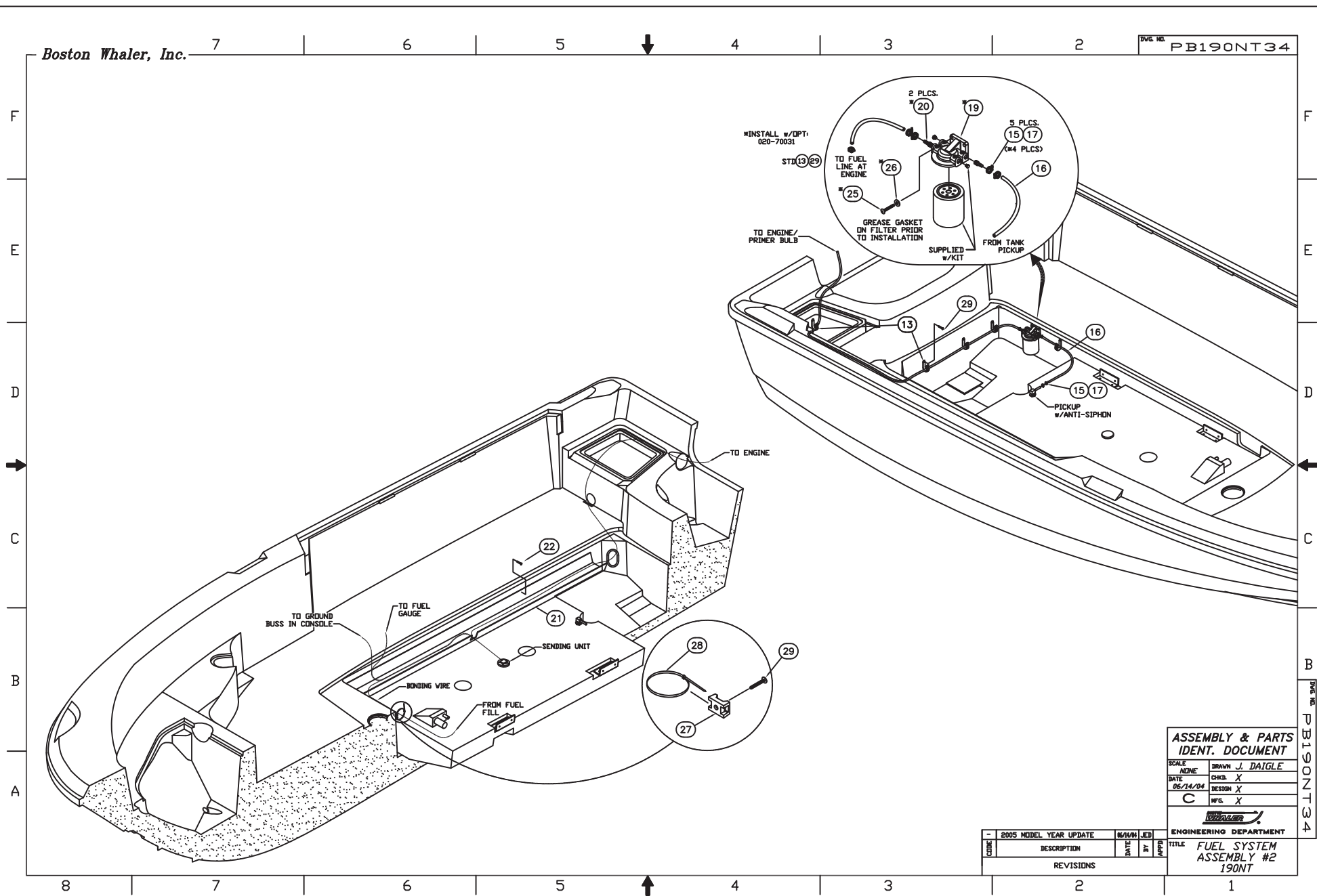
TITLE FUEL SYSTEM ASSEMBLY #1 190NT

REV.	DESCRIPTION	DATE	BY	IN	APP.
1	2005 MODEL YEAR UPDATE		BA/M/J	JED	
REVISIONS					

DWG. NO. PB190NT33

Boston Whaler, Inc.

DWG. NO. PB190NT34



ASSEMBLY & PARTS IDENT. DOCUMENT

SCALE	NONE	DESIGNED BY	J. DAIGLE
DATE	05/14/04	CHECKED BY	X
		DESIGN BY	X
		REC'D BY	X



ENGINEERING DEPARTMENT
 TITLE: FUEL SYSTEM ASSEMBLY #2 190NT

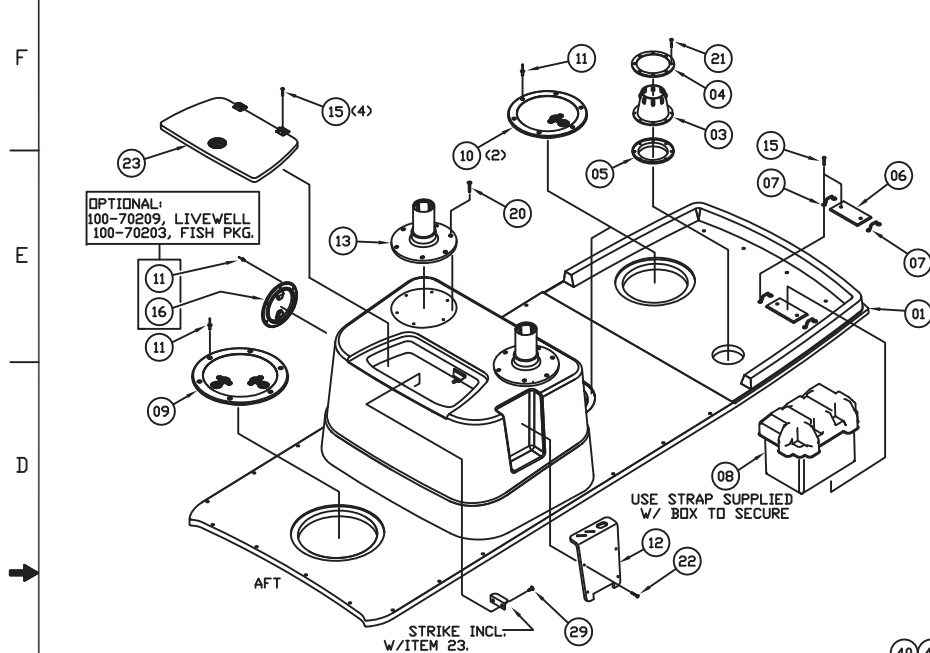
REV.	DESCRIPTION	DATE	BY	APP'D.
1	2005 MODEL YEAR UPDATE			
REVISIONS				

DWG. NO. PB190NT34

MODEL YEAR 2005 PARTS LIST

BOAT MODEL: 190 NANTUCKET
DOCUMENT CONTROL NO: PB190NT35

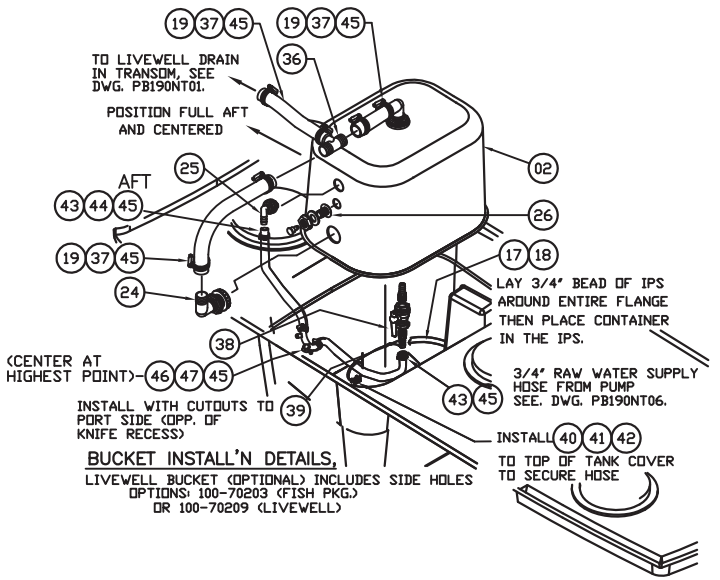
ITEM	QTY	U/M	DESCRIPTION	B.W.I. NO.
1	1	EA.	TANK, FUEL – BW 60GAL 190NT-03	1745876
2	4	EA.	BRACKET, PVC 2"X 2"X 1/4"X 6" BW-01	1547280
3	2	FT.	TAPE, FOAM NEOPRENE W/3M 9828 3/8"TH X 2"W	1497452
4	14	FT.	FOAM, BACKER ROD 7/8"DIA	1041698
5	1	EA.	DECK PLATE, GAS CHR W/VENT STRAIGHT RED CODE	1109370
6	1	EA.	DECK PLATE, GAS CHR W/VENT (SHIM ONLY)	1098615
7	2	EA.	CLAMP, HOSE #10 1/2"-1 1/8" SS .505	0263954
8	0	FT.	HOSE, FUEL 5/8" ISO/CE	0947499
9	0	FT.	HOSE, FUEL 1.5" TYPE A CLASS 2	0123745
10	4	EA.	CLAMP, HOSE #24 1"-2" SS .505	0256693
11	5	FT.	HOSE, CONDUIT/SPLIT 3/4" FLAME RETARDANT	1501824
12	5	FT.	HOSE, CONDUIT/SPLIT 1.5" FLAME RETARDANT	1501857
13	6	EA.	CLIP, SUPPORT 1"DIA	1216720
15	7	EA.	CLAMP, HOSE #06M 5/16"-7/8" SS MINI	0123398
16	0	FT.	HOSE, FUEL 3/8" ISO/CE W/PLAS LINER	1497486
17	7	EA.	COVER, CLAMP END PROT 1/2"L X.035"X.30"RED	0830976
18	6	EA.	COVER, CLAMP END PROT 1/2"L X .045"X .465"RED	0830968
19	1	EA.	FILTER, IN-LINE FUEL/WATER SEPARATER	1033695
20	2	EA.	FITTING, BRASS 1/4"MPT X 3/8"BARB	1043397
21	.5	EA.	SUPPORT, PLAS RIGGING BW-97 WHT 10'	1043587
22	5	EA.	SCREW, TAPPING #10A X 3/4" PTH SC	1008762
23	4	EA.	SCREW, TAPPING #8A X 1" PPH SC	1213115
24	8	EA.	SCREW, TAPPING #14A X 1.5" PTH SC	1010909
25	2	EA.	SCREW, TAPPING #14A X 1.5" PPH SC	1008697
26	2	EA.	WASHER, FLAT #1/4" SC	1260769
27	4	EA.	TIE, CLIP BLK	1031764
28	4	EA.	TIE, CABLE 6" LG NYLON BLK	0999672
29	10	EA.	SCREW, TAPPING #8A x 5/8" PTH SC	1010925



OPTIONAL:
100-70209, LIVEWELL
100-70203, FISH PKG.

USE STRAP SUPPLIED
W/ BOX TO SECURE

STRIKE INCL.
W/ITEM 23.



TO LIVEWELL DRAIN
IN TRANSOM, SEE
DWG. PB190NT01.
POSITION FULL AFT
AND CENTERED

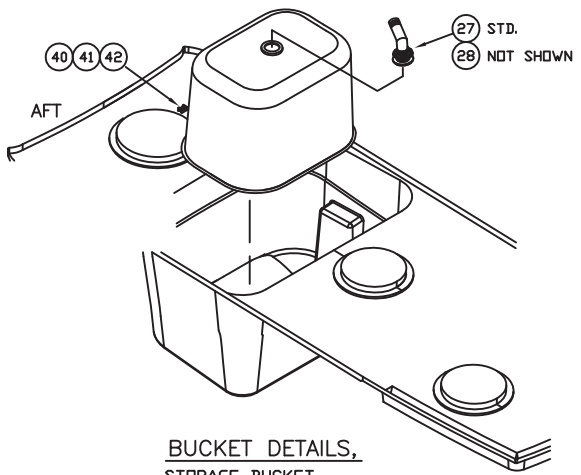
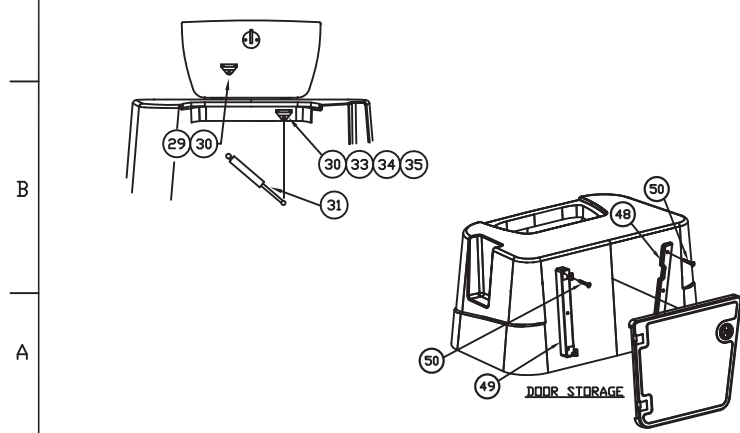
(CENTER AT
HIGHEST POINT)-
INSTALL WITH CUTOUTS TO
PORT SIDE (OPP. OF
KNIFE RECESS)

BUCKET INSTALL'N DETAILS,
LIVEWELL BUCKET (OPTIONAL) INCLUDES SIDE HOLES
OPTIONS: 100-70203 (FISH PKG.)
OR 100-70209 (LIVEWELL)

LAY 3/4" BEAD OF IPS
AROUND ENTIRE FLANGE
THEN PLACE CONTAINER
IN THE IPS.

3/4" RAW WATER SUPPLY
HOSE FROM PUMP
SEE DWG. PB190NT06.

INSTALL TO TOP OF TANK COVER
TO SECURE HOSE



BUCKET DETAILS,
STORAGE BUCKET
(STD. W/DRAIN ONLY)

ASSEMBLY & PARTS
IDENT. DOCUMENT

SCALE	NONE	DESIGNED BY	BRUNN J. DAIGLE
DATE	06/14/04	CHECKED BY	X
		DESIGN BY	X
		PREP BY	X



ENGINEERING DEPARTMENT

DATE	DESCRIPTION	BY	CHKD.	IN	APP.
	2005 MODEL YEAR UPDATE	M/M	JED		
REVISIONS					

TITLE
FUEL TANK
COVER ASSEMBLY
190NT

DWG. NO. PB190NT23

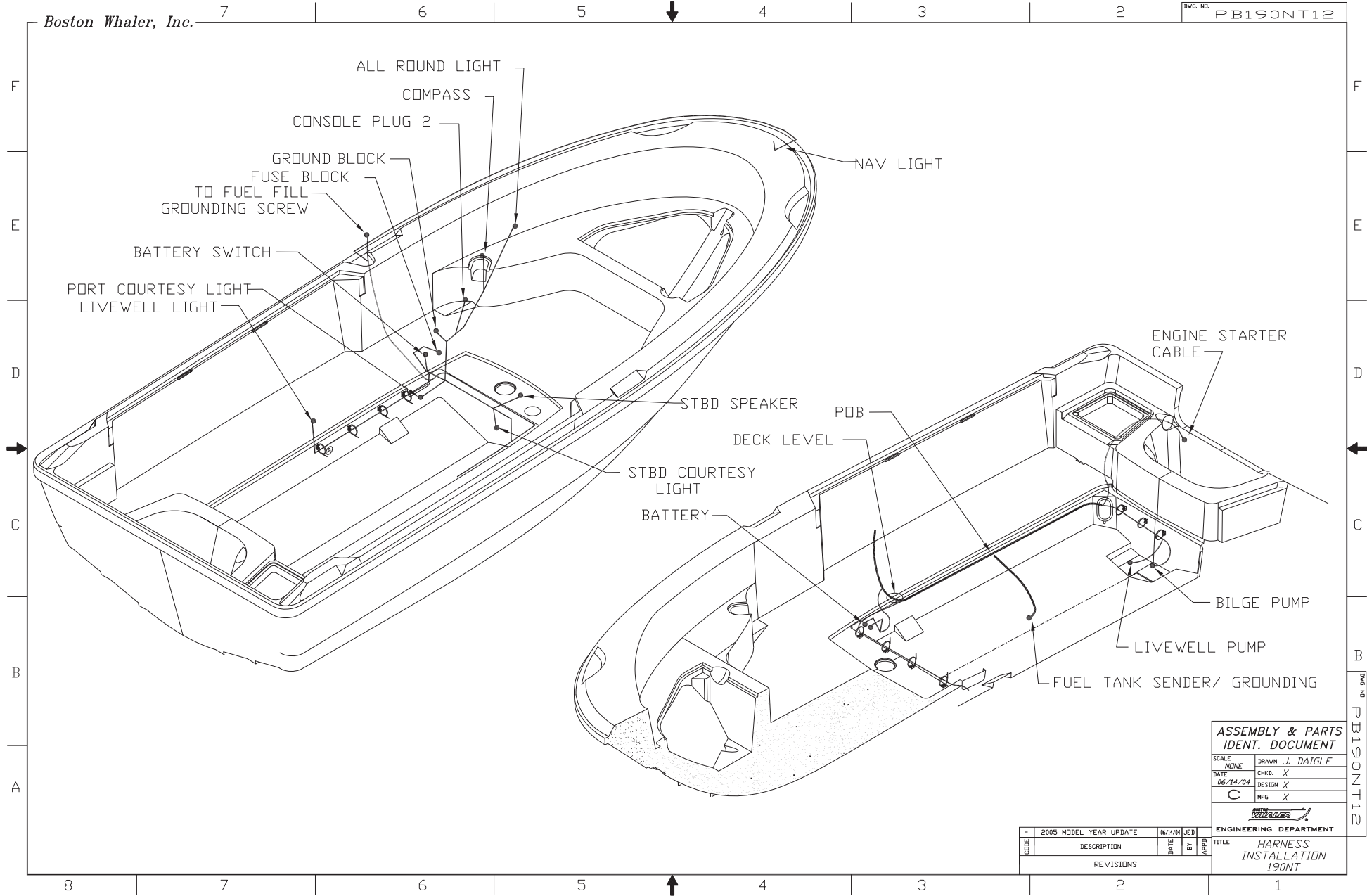
MODEL YEAR 2005 PARTS LIST

BOAT MODEL: 190 NANTUCKET
DOCUMENT CONTROL NO: PB190NT24

ITEM	QTY.		U/M	DESCRIPTION	BWI NO.
	STD.	OPT.			
01	1	-	EA.	FIBERGLASS PART, FUEL TANK COVER	22K15900
02	-	1	EA.	CONTAINER, LIVEWELL BW190NT-03	1747425
03	1	-	EA.	BOOT, CABLE 4" BLK	1749736
04	1	-	EA.	BOOT, CABLE RING 4" BLK	1749737
05	1	-	EA.	GROMMET, CABLE BOOT 4" BLK	1749738
06	1	-	EA.	CLEAT, HDPE BW-02 BATTERY BOX WHT	1618602
07	2	-	EA.	BRACKET, BW-97 BATT HOLDDOWN 1.25"CHR	1042837
08	1	-	EA.	HOLDER, BATTERY GR24 FULLY ENCL	0650598
09	1	-	EA.	ACCESS PLATE, PLAS 10" VIKING	1613975
10	2	-	EA.	ACCESS PLATE, POLYPROP TWIST-OUT 8" WHT	1068659
11	18	6	EA.	RIVET, POP/BLIND #3/16 X 5/8" ALUM	0189415
12	1	-	EA.	HOLDER, ACRY BW190NT-03 KNIFE/TOOL	1747422
13	2	-	EA.	PEDESTAL, ALUM 6.5" FLUTED MILLENNIUM	1747428
14	-	-	EA.	X	X
15	10	-	EA.	SCREW, TAPPING #8A x 1" POH SC	1213065
16	-	1	EA.	ACCESS PLATE, POLYPROP TWIST-OUT 5" WHT BWI	1016153
17	1	-	EA.	SYRINGE, MIXER 1/2" WIDTH 24 ELEMENT	0734103
18	.750	-	EA.	ADHESIVE, WELD-ON SS 214 2PART 470ML	1558485
19	-	0	FT.	HOSE, SANI 1.5" BLK PVC 149 SERIES	1746048
20	12	-	EA.	SCREW, MACHINE #1/4-20 X 1.25" PFH SC	1213289
21	8	-	EA.	SCREW, TAPPING #10A X 1" PTH SC	1008739
22	4	-	EA.	SCREW, TAPPING #6A X 3/4" PTH SC	1010917
23	1	-	EA.	LID, HDPE BW190NT-03 LIVEWELL	1747418
24	-	1	EA.	DRAIN, ELBOW 90DEG 1.5"OVERFLOW W/FILTER BLK	1688421
25	-	1	EA.	DRAIN, BAITWELL 3/4"ELBOW W/HD WHT	1688420
26	-	1	EA.	LIGHT, COURTESY WATERPROOF FRONT MNT W/NUT	1078625
27	1	-	EA.	DRAIN, ELBOW 90DEG 1.5"W/FLANGE/NUT	1041961
28	1	-	EA.	PLUG, DRAIN 1.5" BLK	0907279
29	4	-	EA.	SCREW, TAPPING #8A X 1/2" PTH SC	1008812
30	2	-	EA.	BRACKET, LIFT CYL SS OFFSET W/STUD	0995084
31	1	-	EA.	CYLINDER, GAS SS 10PSI 10"EXT X 7"COMP	1519966
32	1	-	EA.	CONTAINER, STORAGE BW190NT-03 LEAN POST	1750951
33	2	-	EA.	SCREW, MACHINE #8-32 X 3/4" PTH SC	1010735
34	2	-	EA.	WASHER, FLAT #8 SC	1326297
35	2	-	EA.	NUT, HEX NYLON LOCK #10-32 SC	1260736
36	-	1	EA.	TEE, PVC 1.5" ALL BARB BLK	1747281
37	2	4	EA.	CLAMP, HOSE #24 1"-2" SS .505	0256693
38	-	1	EA.	VALVE, MARELON BALL 2-WAY 3/4"	0557959
39	-	2	EA.	TAILPIECE, MARELON 3/4"MPT X 3/4"BARB	0567925
40	-	3	EA.	TIE, CLIP BLK	1031764
41	-	3	EA.	TIE, CABLE 6" LG NYLON BLK	0999672
42	-	3	EA.	SCREW, TAPPING #8A x 5/8" PTH	1010925
43	-	2	EA.	CLAMP, HOSE #10 1/2"-1 1/8" SS .505	0263954
44	-	0	FT.	HOSE ,GEN PURPOSE 3/4" BLK REINF	1042100
45	-	8	EA.	COVER, CLAMP END PROT 1/2"L X .045" X .465"RED	0830968
46	-	1	EA.	BAITWELL SYSTEM, VENTED LOOP 3/4"	1703861
47	-	2	EA.	CLAMP, HOSE #12 1/2"-1.25" SS	0256677
48	1	-	EA.	SUPPORT, HDPE BW205EP-05 SEAT CATCH AFT PRT	1769841
49	1	-	EA.	BRACKET, HDPE BW190NT-05 PRT QTR SEAT STRG	1771714
50	6	-	EA.	SCREW, TAPPING #10A X 1.5" POH SC	1008515

Boston Whaler, Inc.

DWG. NO. PB190NT12



ASSEMBLY & PARTS IDENT. DOCUMENT

SCALE	NONE	DRAWN	J. DAIGLE
DATE	06/14/04	CHKD.	X
		DESIGN	X
		MFG.	X



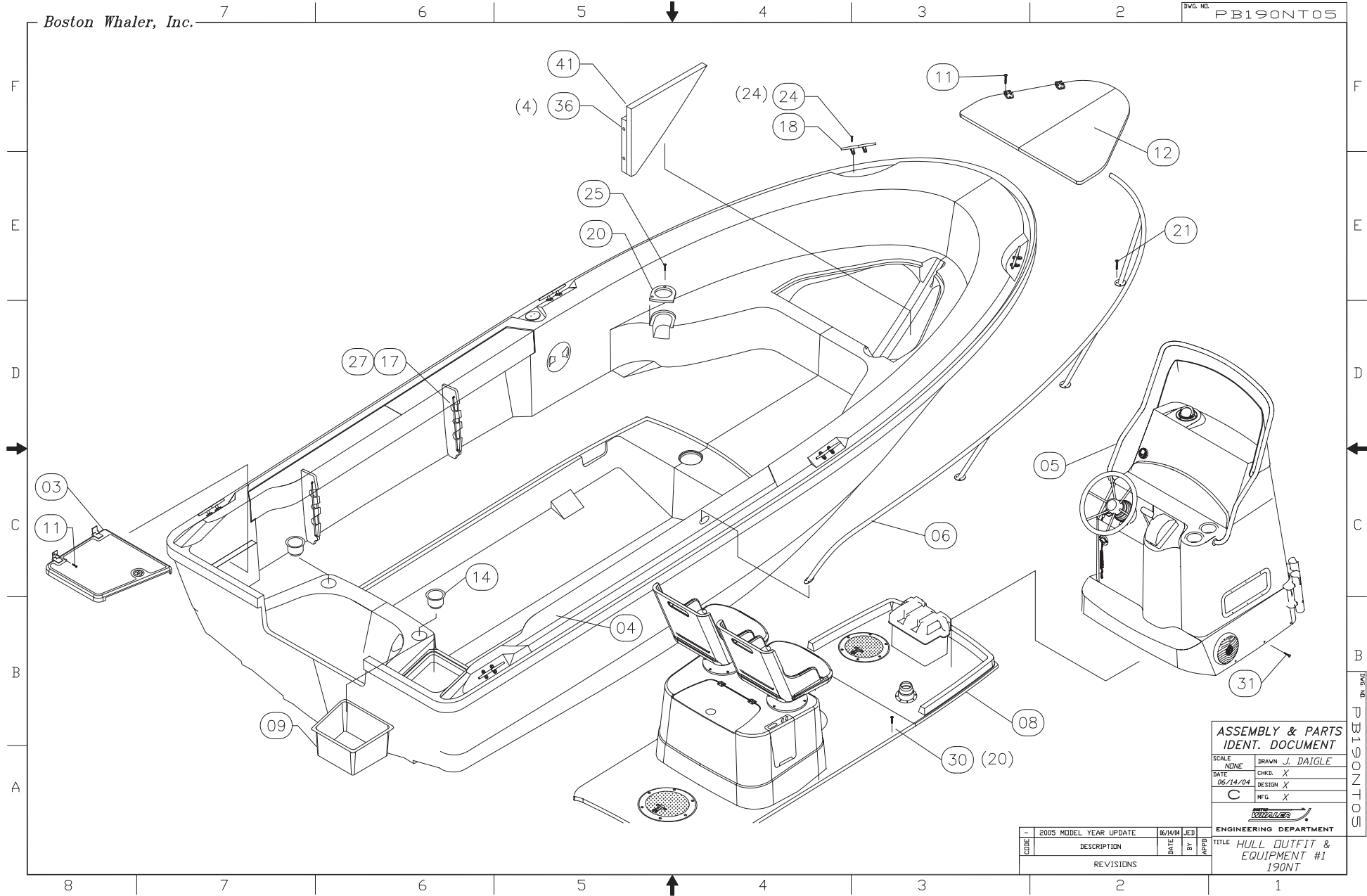
CODE	DESCRIPTION	DATE	BY	APP'D
1	2005 MODEL YEAR UPDATE	8/14/04	JED	
REVISIONS				

ENGINEERING DEPARTMENT
 TITLE: HARNESS INSTALLATION 190NT

DWG. NO. PB190NT12

Boston Whaler, Inc.

DWG. NO. PB190NT05



ASSEMBLY & PARTS IDENT. DOCUMENT

SCALE	NONE	DRAWN	J. DAIGLE
DATE	06/14/04	CHKD.	X
		DESIGN	X
		MEG.	X



ENGINEERING DEPARTMENT
 TITLE HULL OUTFIT & EQUIPMENT #1 190NT

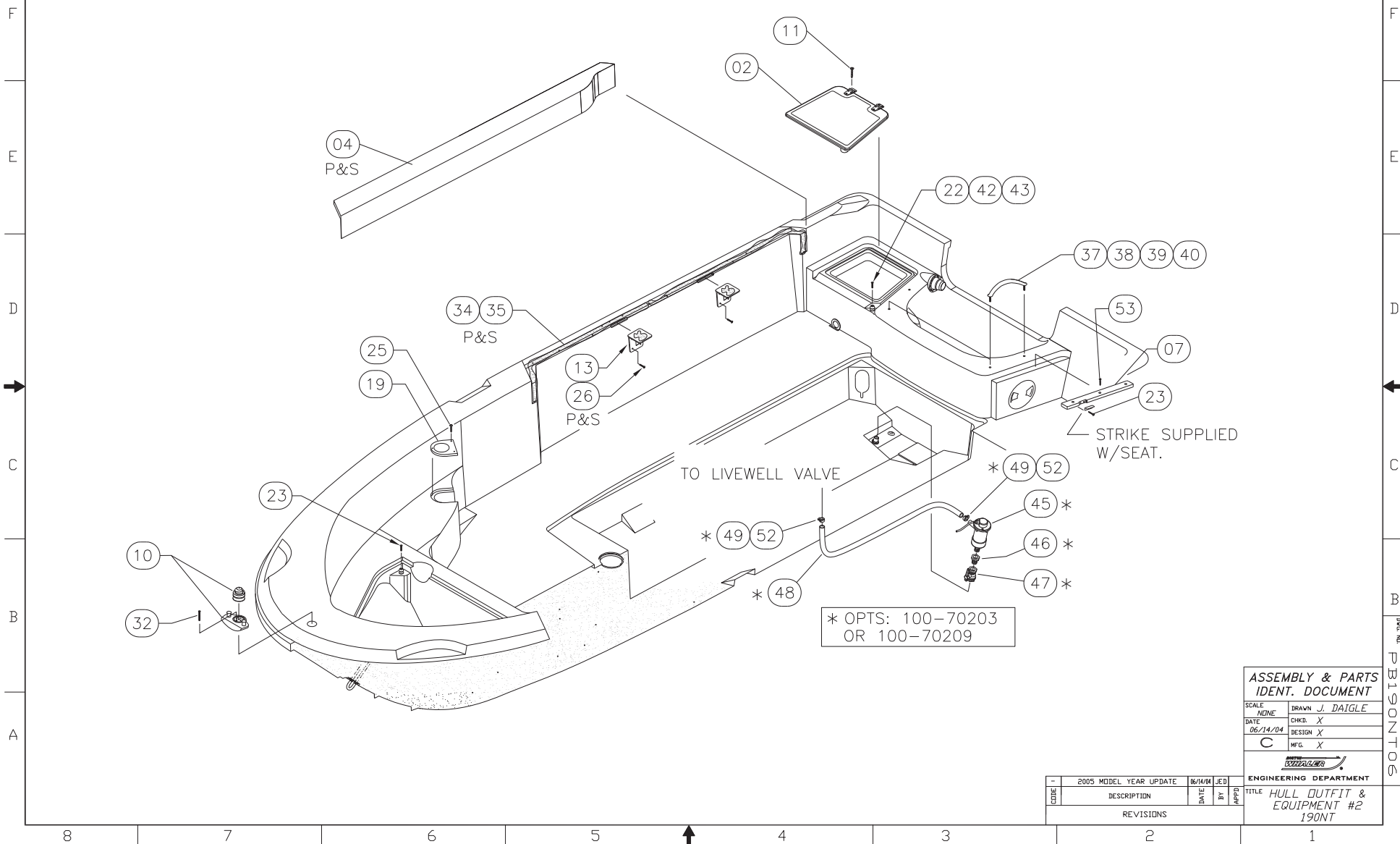
CODE	DESCRIPTION	DATE	BY	APP'D
	2005 MODEL YEAR UPDATE	6/14/04	JED	
REVISIONS				

DWG. NO. PB190NT05

Boston Whaler, Inc.

7 6 5 4 3 2

DWG. NO. PB190NT06



ASSEMBLY & PARTS IDENT. DOCUMENT

SCALE	NONE	DRAWN	J. DAIGLE
DATE	06/14/04	CHKD.	X
		DESIGN	X
		MFG.	X



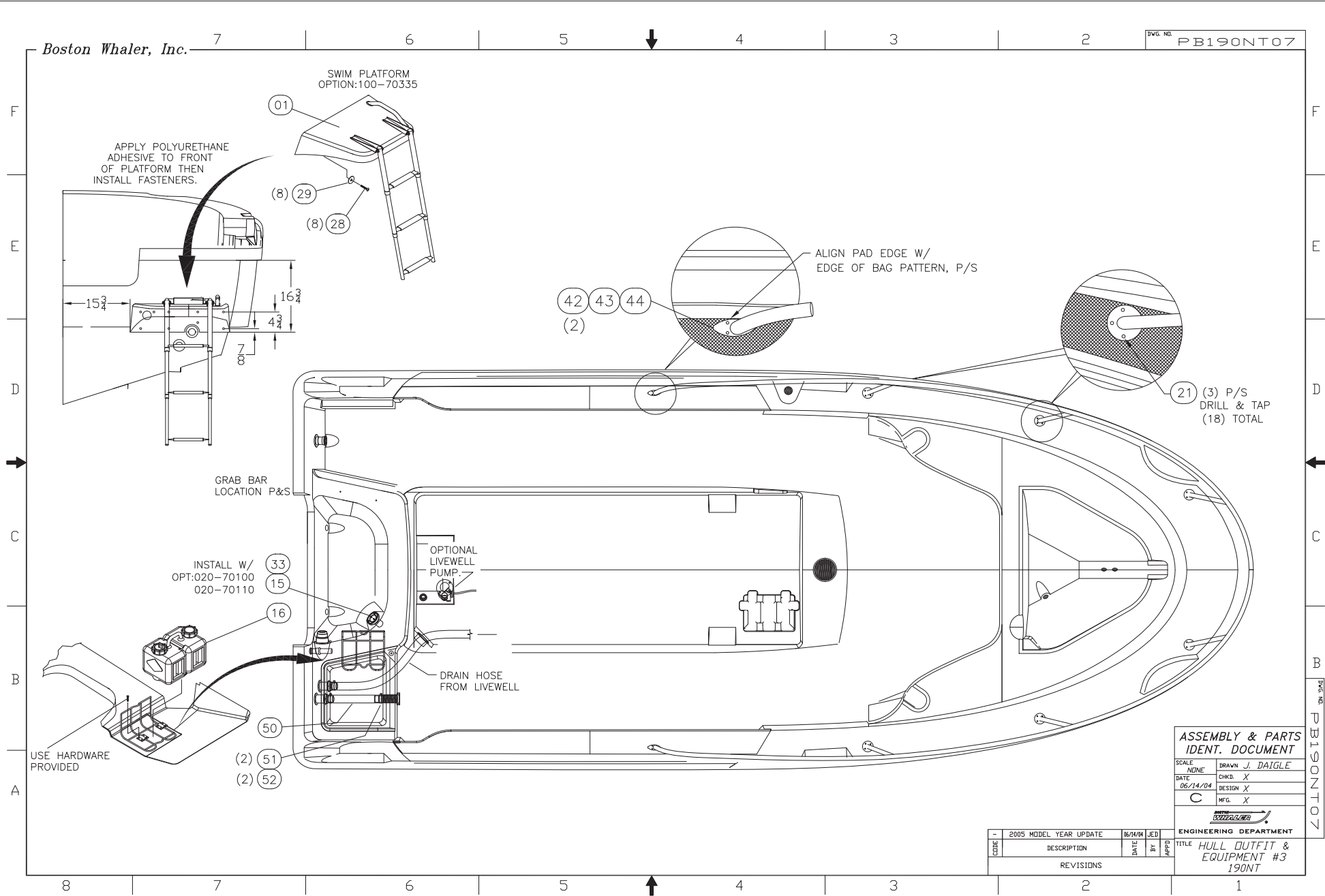
ENGINEERING DEPARTMENT
TITLE HULL OUTFIT & EQUIPMENT #2 190NT

REV.	DESCRIPTION	DATE	BY	APP'D
1	2005 MODEL YEAR UPDATE	6/14/04	JED	
REVISIONS				

DWG. NO. PB190NT06

Boston Whaler, Inc.

DWG. NO. PB190NT07



APPLY POLYURETHANE ADHESIVE TO FRONT OF PLATFORM THEN INSTALL FASTENERS.

ALIGN PAD EDGE W/ EDGE OF BAG PATTERN, P/S

GRAB BAR LOCATION P&S

INSTALL W/ OPT:020-70100 020-70110

OPTIONAL LIVEWELL PUMP

DRAIN HOSE FROM LIVEWELL

USE HARDWARE PROVIDED

(21) (3) P/S DRILL & TAP (18) TOTAL

ASSEMBLY & PARTS IDENT. DOCUMENT

SCALE	NONE	DRAWN	J. DAIGLE
DATE	06/14/04	CHKD.	X
		DESIGN	X
		MEG.	X

ENGINEERING DEPARTMENT

TITLE HULL OUTFIT & EQUIPMENT #3 190NT

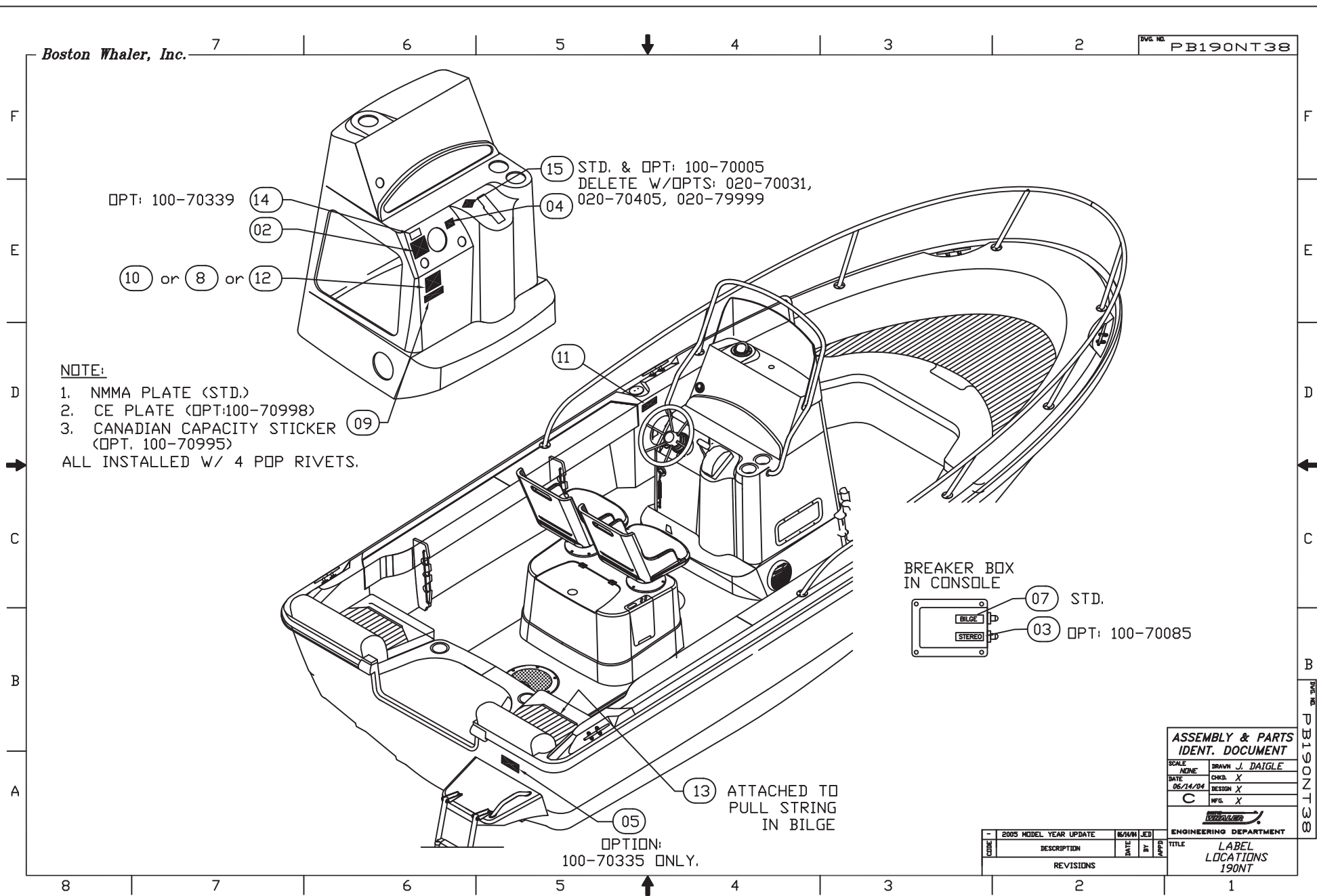
CODE	DESCRIPTION	DATE	BY	APP'D
1	2005 MODEL YEAR UPDATE	06/14/04	JED	
REVISIONS				

DWG. NO. PB190NT07

MODEL YEAR 2005 PARTS LIST

BOAT MODEL: 190 NANTUCKET
DOCUMENT CONTROL NO: PB190NT08

ITEM	QTY.		U/M	DESCRIPTION	B.W.I. NO.
	STD.	OPT.			
1	1	-	EA.	SWIM PLATFORM SUB-ASSY.	PB190NT21
2	1	-	EA.	STBD QTR SEAT BASE SUB-ASSY	PB190NT27
3	1	-	EA.	PORT QTR SEAT BASE SUB-ASSY	PB190NT27
4	2	-	EA.	GUNNEL BOARDS SUB-ASSY	PB190NT21
5	1	-	EA.	CONSOLE, SUB-ASSY.	PB190NT17
6	1	-	EA.	RAIL, BOW BW190NT-03 SS	1745134
7	1	-	EA.	SUPPORT, HDPE BW190NT-03 SEAT CATCH AFT PRT	1749932
8	1	-	EA.	FUEL TANK COVER SUB-ASSY.	PB190NT23
9	1	-	EA.	CONTAINER, STORAGE BW190NT-03 STB QTR SEAT	1747426
10	1	-	EA.	CHOCK, BOW BW-03 W/BOLLARDS SS	1748820
11	12	-	EA.	SCREW, TAPPING #10A x 1" POH SC	1008507
12	1	-	EA.	ANCHOR LOCKER LID	PB190NT21
13	4	-	EA.	BRACKET, ALUM BW-03 UNDER GUNNEL	1752662
14	2	-	EA.	DRINKHOLDR, PLAS W/DRAIN DEEP XLG SZ BLK	1727419
15	1	-	EA.	ACC PART, MERC OIL FILL KIT (DECK)	0733105
16	1	-	EA.	TANK, OIL VRO W/HDWR W/SEND O/B 3 G	1477926
17	4	-	EA.	ROD HOLDER, HDPE BW190NT-03 UNDR GUNL	1745136
18	6	-	EA.	CLEAT, 8" 4-BOLT SS	0291658
19	1	-	EA.	HOLDER, HDPE BW 190NT-03 DRINK STB	1747572
20	1	-	EA.	HOLDER, HDPE BW 190NT-03 DRINK PRT	1748262
21	18	-	EA.	SCREW, MACHINE #1/4-20 X 1.5" PPH SC	1008598
22	1	-	EA.	SCREW, MACHINE #10-24 X 1.25" PPH SC	1008630
23	3	-	EA.	SCREW, TAPPING #10A x 1" PPH SC	1213131
24	24	-	EA.	SCREW, MACHINE #1/4-20 X 1.25" PFH SC	1213289
25	6	-	EA.	SCREW, TAPPING #8A X 1.25" POH SC	1213073
26	16	-	EA.	SCREW, TAPPING #14A x 1" PPH SC	1008689
27	8	-	EA.	SCREW, TAPPING #10A X 2.5" POH SC	1008531
28	8	-	EA.	SCREW, TAPPING #14A X 1.5" PPH SC	1008697
29	8	-	EA.	WASHER, FENDER 1/4" X 1.25" SC	1260678
30	20	-	EA.	SCREW, TAPPING #10A X 2" PTH SC	1008754
31	9	-	EA.	SCREW, TAPPING #14A X 1.5" PTH SC	1010909
32	3	-	EA.	SCREW, MACHINE #1/4-20 X 2.5" PFH SC	1326156
33	3	-	EA.	SCREW, TAPPING #8A X 5/8" PTH SC	1010925
34	.250	-	GL.	ADHESIVE, WELD-ON SS 218HV COMPONENT A	1555564
35	.025	-	GL.	ADHESIVE, WELD-ON SS 218HV COMPONENT B	1555572
36	4	-	EA.	SCREW, TAPPING #10A X 1.5" POH SC	1008515
37	2	-	EA.	RAIL, GRAB BAJA 8 5/8" SS W/STUD	1630342
38	4	-	EA.	WASHER, FENDER 5/16" x 1.5" SC	1326180
39	4	-	EA.	WASHER, LOCK/SPLIT 5/16" SC	1260611
40	4	-	EA.	NUT, HEX #5/16-18 SC	1009687
41	1	-	EA.	BULKHD, HDPE BW190NT-03 ANCH LCKR	1747417
42	5	-	EA.	WASHER, FLAT #10 SC	1260751
43	5	-	EA.	NUT, HEX NYLON LOCK #10-24 SC	1007772
44	4	-	EA.	SCREW, MACHINE #10-24 X 1.25" PPH SC	1008630
45	-	1	EA.	PUMP, LIVEWELL 12V BAIT SENTRY 500GPH	1688691
46	-	1	EA.	ADAPTER, PVC 3/4"MPT X 3/4"FPT	0168575
47	-	1	EA.	VALVE, MARELON BALL 2-WAY 3/4"	0557959
48	-	0	FT.	HOSE, WATER 3/4" BLK REINF PVC	1042100
49	-	2	EA.	CLAMP, HOSE #10 1/2"-1 1/8" SS .505	0263954
50	0	-	FT.	HOSE, SANI 1.5" BLK PVC 149 SERIES	1746048
51	2	-	EA.	CLAMP, HOSE #24 1"-2" SS .505	0256693
52	2	2	EA.	COVER, CLAMP END PROT 1/2"L X .045"X .465"RED	0830968
52	3	-	EA.	SCREW, TAPPING #10 X 1.5" PFH SC	1010248



OPT: 100-70339 (10) or (8) or (12)

(14)

(02)

(15) STD. & OPT: 100-70005
DELETE W/OPTS: 020-70031,
020-70405, 020-79999

(04)

NOTE:

1. NMMA PLATE (STD.)
2. CE PLATE (OPT:100-70998)
3. CANADIAN CAPACITY STICKER (OPT. 100-70995)

ALL INSTALLED W/ 4 POP RIVETS.

BREAKER BOX
IN CONSOLE

(07) STD.

(03) OPT: 100-70085

(13) ATTACHED TO
PULL STRING
IN BILGE

(05)

OPTION:
100-70335 ONLY.

ASSEMBLY & PARTS IDENT. DOCUMENT	
SCALE	NONE
DATE	06/14/04
DESIGN	C
REV. NO.	1
ENGINEERING DEPARTMENT	BOSTON WHALER
TITLE	LABEL LOCATIONS 190NT

DATE	DESCRIPTION	BY	CHKD.	APP'D.

DWG. NO. PB190NT38

MODEL YEAR 2005 PARTS LIST

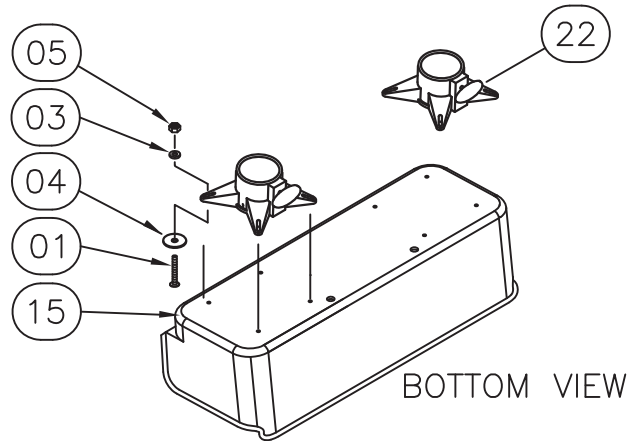
BOAT MODEL: 190 NANTUCKET
DOCUMENT CONTROL NO: PB190NT39

ITEM	QTY.	U/M	DESCRIPTION	B.W.I. NO.
1	1	EA.	LABEL, BW ENG TRIM TAB STEERING PULL WARNING	1016518
2	1	EA.	LABEL, BW SAFETY HI-PERF BOAT	1017136
3	1	EA.	LABEL, BW STEREO	1075266
4	1	EA.	LABEL, BW WARNING FUEL GAUGE READ	1016534
5	1	EA.	LABEL, BW WARNING SWIM PLTFORM 2"X 3"	1016948
6	1	EA.	LABEL, BW WINDSHIELD CARE	1016955
7	1	EA.	LABEL, BILGE (LEXAN)	1745123
8	1	EA.	PLATE, BUILDERS CE 03-BW190NT	1744980
9	1	EA.	PLATE, BW-03 MAX ENG WT 510LB/231KG	1735927
10	1	EA.	PLATE, NMMA 03-BW190NT	1744979
11	1	EA.	PLATE, WARNING FUEL HAZARD	0995704
12	1	EA.	STICKER, SAFETY CANADIAN CAP BW190NT-03	1746030
13	1	EA.	TAG, BW DO NOT PULL RIGGING	0999755
14	1	EA.	LABEL, WARNING LTD VISION FROM HELM	1752856
15	1	EA.	DECAL, MERC S-CRFT NETWORKED	1743323

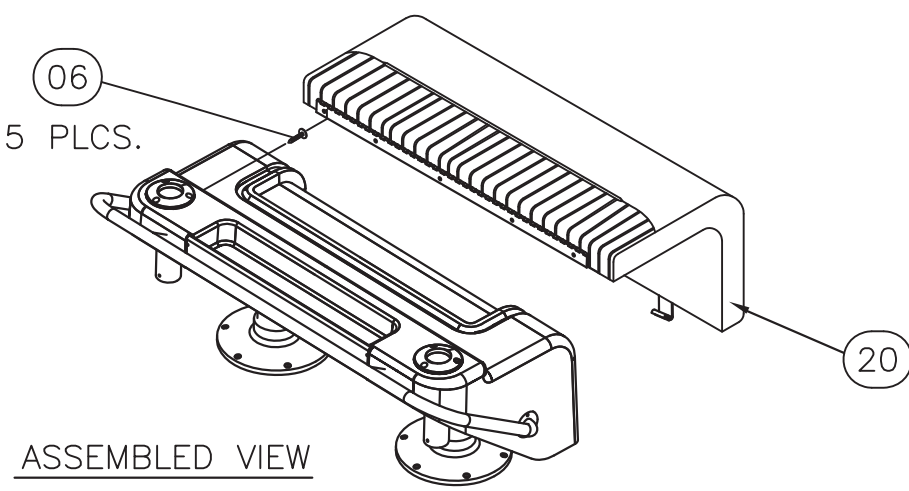
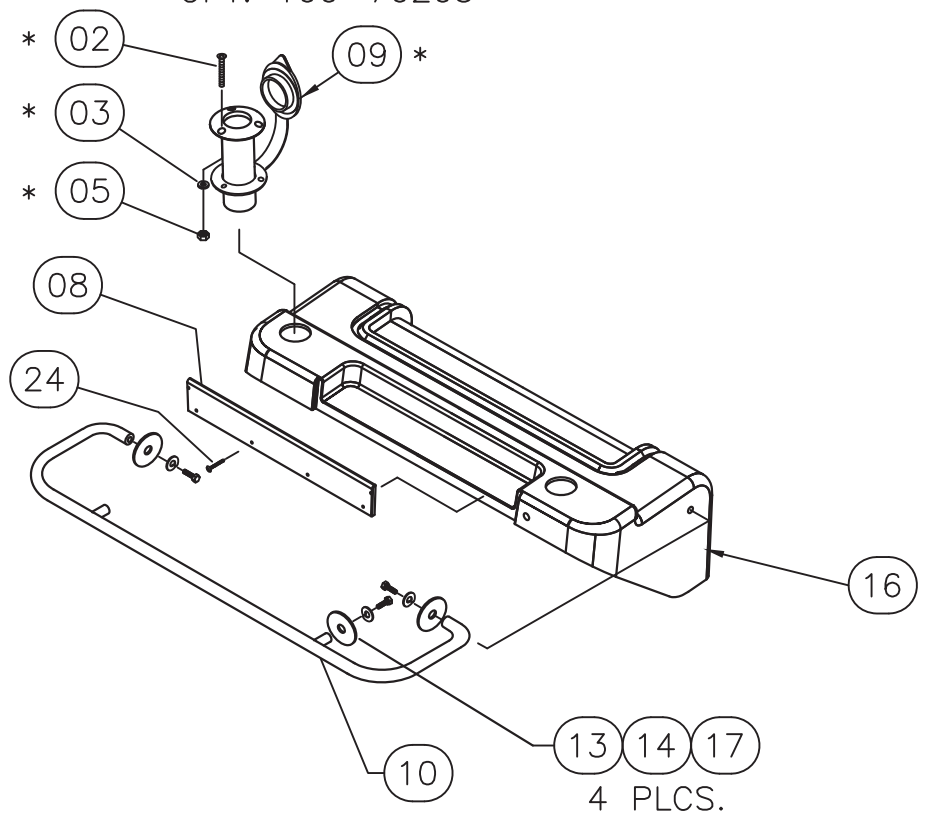
Boston Whaler, Inc.

DWG. NO. PB190NT25

*OPT: 100-70203



BOTTOM VIEW



ASSEMBLED VIEW

5 PLCS.

4 PLCS.

ASSEMBLY & PARTS IDENT. DOCUMENT

SCALE	NONE	DESIGNED BY	BRUNN J. DAIGLE
DATE	06/14/04	CHECKED BY	
		DESIGN BY	
		FILED BY	

ENGINEERING DEPARTMENT

TITLE LEANING POST ASSEMBLY 190NT

REV.	DESCRIPTION	DATE	BY	IN	APPR.
1	2005 MODEL YEAR UPDATE				
REVISIONS					

PB190NT25

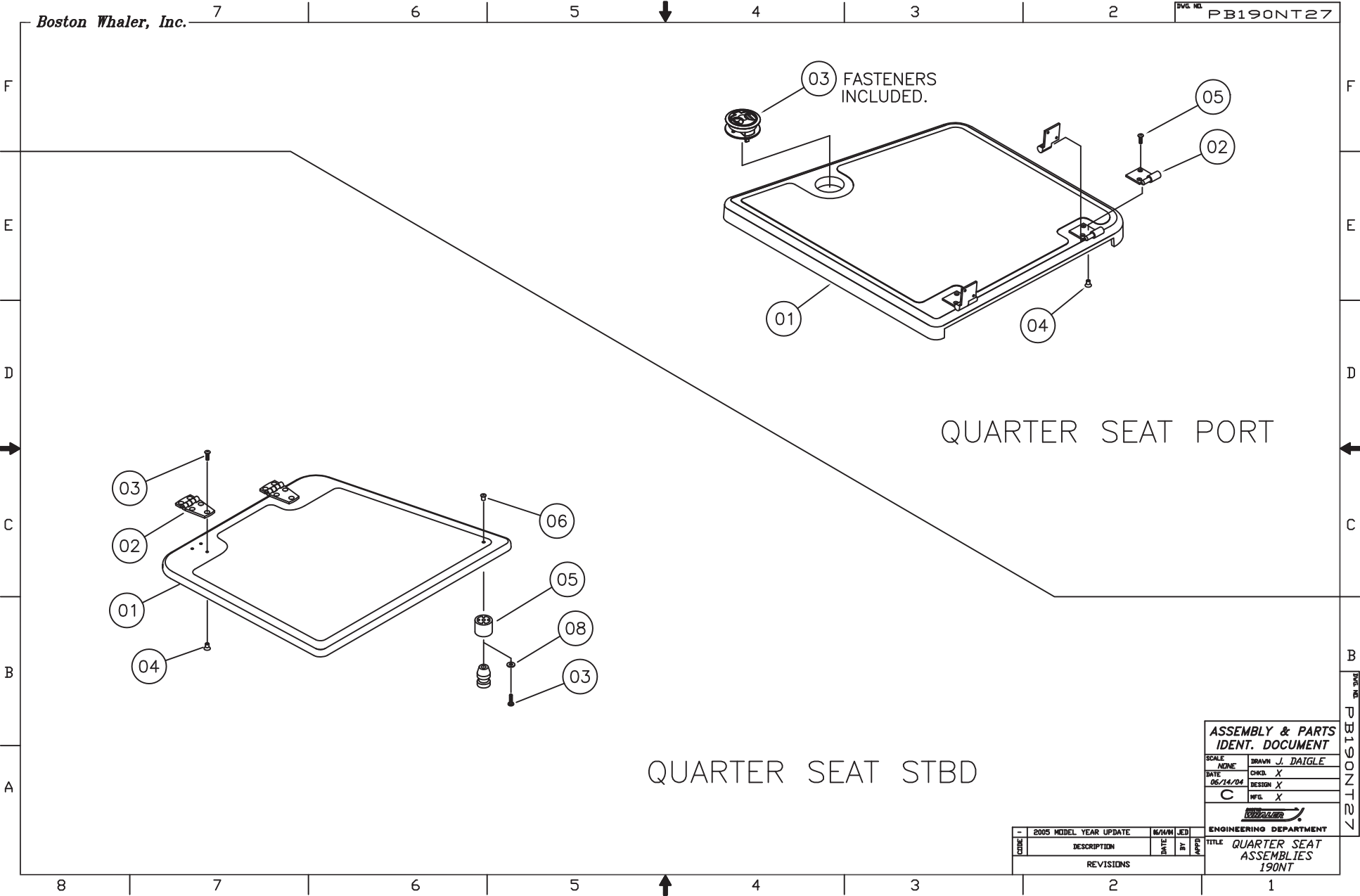
MODEL YEAR 2005 PARTS LIST

BOAT MODEL: 190 NANTUCKET
DOCUMENT CONTROL NO: PB190NT26

ITEM	QTY.	U/M	DESCRIPTION	B.W.I. NO.
1	8	EA.	SCREW, MACHINE #1/4-20 x 1 3/4" PPH SC	1008606
2	6	EA.	SCREW, MACHINE #1/4-20 X 1.5" POH SC	1010438
3	14	EA.	WASHER, FLAT #1/4" SC	1260769
4	8	EA.	WASHER, FENDER 1/4" X1.25" SC	1260678
5	14	EA.	NUT, HEX NYLON LOCK #1/4-20 SC	1007764
6	5	EA.	SCREW, TAPPING #6A X 3/4" POH SC	1008564
7	2	EA.	ACCESS PLATE, POLYPROP TWIST-OUT 5" WHT BWI	1016153
8	1	EA.	PANEL, HDPE/PLEX BW190NT-03 CLSOUT L/P REV I	1754890
9	2	EA.	ROD HOLDER, FLUSH MNT SS 90DEG W/CAP	1591650
10	1	EA.	RAIL, GRAB BW190NT-03 LEANING POST	1747704
11	4	EA.	SNAP STUD, 1/8" x 1/2" ALUM	1040237
12	12	EA.	RIVET, POP/BLIND #3/16 X 5/8" ALUM	0189415
13	4	EA.	SCREW, CAP #5/16-18 X 3/4" HEX HD SC	1260561
14	4	EA.	WASHER, LOCK/SPLIT 5/16" SC	1260611
15	1	EA.	LEANING POST BOTTOM	22-K193-00
16	1	EA.	LEANING POST TOP	22-K192-00
17	4	EA.	WASHER, FENDER 5/16" X 1.5" SC	1326180
18	.316	EA.	TRACK, PVC RIGID 10' WHT	1617398
19	5	EA.	SCREW, TAPPING #8A X 1/2" PTH SC	1008812
20	1	EA.	CUSH, BW190NT-05 LEAN POST	1781391
21	.750	EA.	ADHESIVE, WELD-ON SS 214 2PART 470ML	1558485
22	2	EA.	SPIDER, BKT SEAT RIBBED	0789289
23	1	EA.	SYRINGE, MIXER 1/2" WIDTH 24 ELEMENT	0734103
24	6	EA.	SCREW, TAPPING #8A X 1/2" PFH SC	1010924

Boston Whaler, Inc.

DWG. NO. PB190NT27



03 FASTENERS INCLUDED.

QUARTER SEAT PORT

QUARTER SEAT STBD

ASSEMBLY & PARTS IDENT. DOCUMENT

SCALE	NONE	DESIGNED BY	BRAYN J. DAIGLE
DATE	06/14/04	CHECKED BY	X
		DESIGN BY	X
		PLG BY	X



ENGINEERING DEPARTMENT
 TITLE: QUARTER SEAT ASSEMBLIES 190NT

REV.	DESCRIPTION	BY	DATE
1	2005 MODEL YEAR UPDATE	MMW	JED
REVISIONS			

DWG. NO. PB190NT27

MODEL YEAR 2005 PARTS LIST

BOAT MODEL: 190 NANTUCKET
DOCUMENT CONTROL NO: PB190NT28

QUARTER SEAT-STBD

ITEM	STD. QTY.	U/M	DESCRIPTION	MRP NUMBER
01	1	EA.	FIBERGLASS PART, STBD QTR. SEAT SUB-ASSY.	22K16900
02	2	EA.	HINGE, DOOR SS 1.5"X 3" THINLINE	1617323
03	7	EA.	SCREW, MACHINE #10-24 X 3/8" POH SC	1690961
04	6	EA.	NUT, BBL #10-24 X 3/8" FH	1040187
05	1	EA.	STOP, DOOR HOLDER RBR BLUE	1142348
06	1	EA.	NUT, BBL #10-24 X 3/8" TH CHR/BR	1040211
07	X	EA.	X	X
08	1	EA.	WASHER, FLAT #10 SC	1260751

QUARTER SEAT-PORT

ITEM	STD. QTY.	U/M	DESCRIPTION	MRP NUMBER
01	1	EA.	FIBERGLASS PART, PORT QTR. SEAT	22K16800
02	1	PR.	HINGE, TAKE APART 316-SS LH	1727763
03	1	EA.	LATCH, FLUSH MOUNT PULL SS	1411453
04	4	EA.	NUT, BBL #10-24 X 3/8" FH	1040187
05	4	EA.	SCREW, MACHINE #10-24 X 3/4" POH SC	1008440

Boston Whaler, Inc.

7

6

5



4

3

2

DWG. NO. PB190NT09

F

E

D

C

B

A

F

E

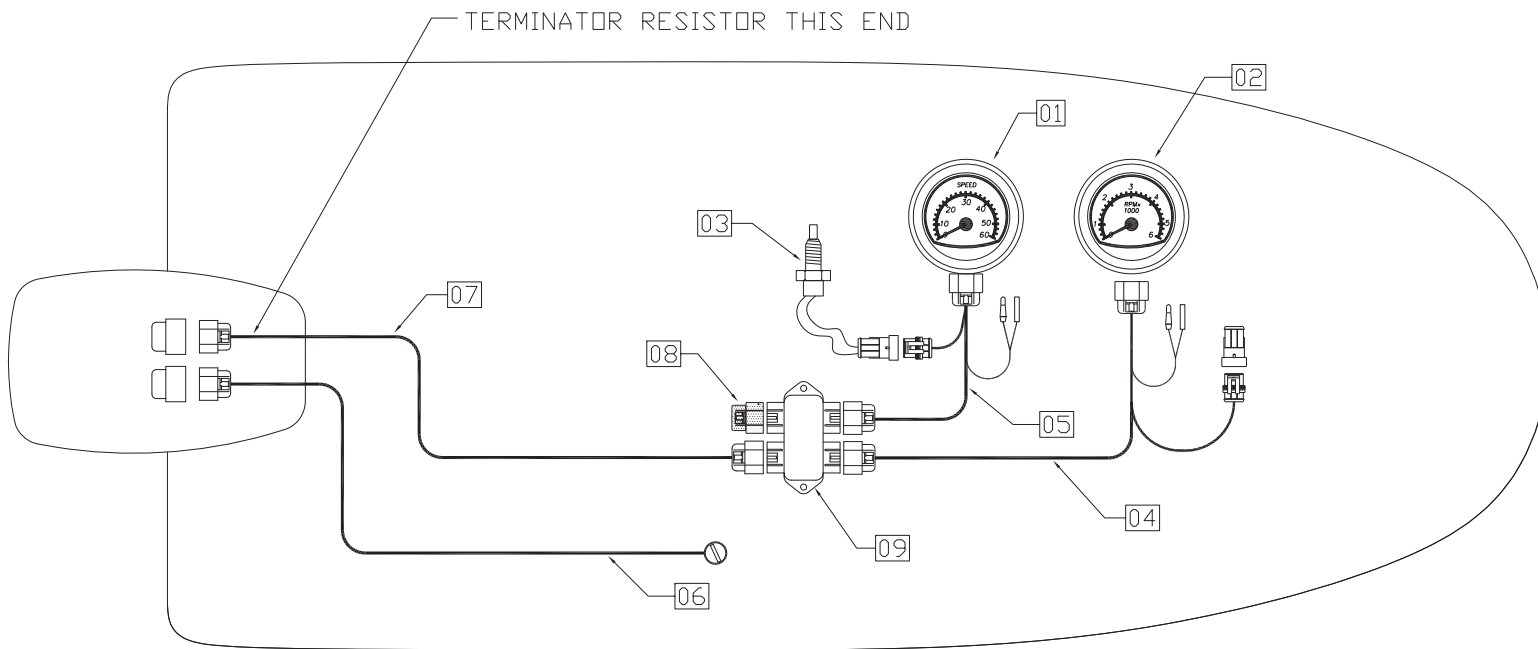
D

C

B

DWG. NO. PB190NT09

TERMINATOR RESISTOR THIS END



ASSEMBLY & PARTS IDENT. DOCUMENT

SCALE	NONE	DRAWN	J. DAIGLE
DATE	06/14/04	CHECKED	X
		DESIGN	X
		MFG.	X



ENGINEERING DEPARTMENT

REV.	DESCRIPTION	DATE	BY	APP'D
1	2005 MODEL YEAR UPDATE	06/14/04	JED	
REVISIONS				

TITLE SMARTCRAFT DELUXE DIAGRAM 190NT

8

7

6

5



4

3

2

1

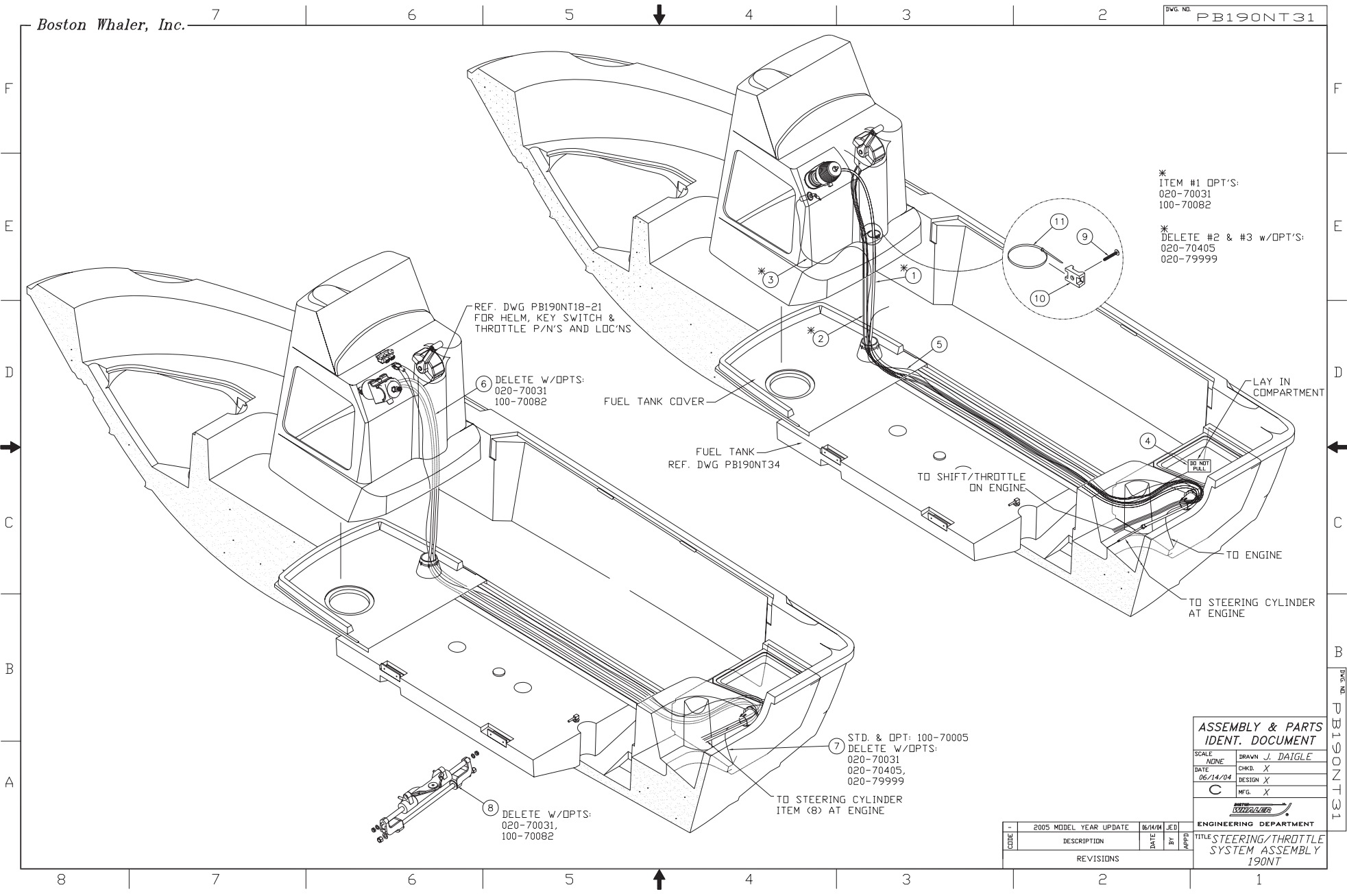
MODEL YEAR 2005 PARTS LIST

BOAT MODEL: 190 NANTUCKET
DOCUMENT CONTROL NO: PB190NT10

ITEM	QTY.	U/M	DESCRIPTION	B.W.I. NO.
01	1	EA	SYSTEM SPEEDOMETER	-----
02	1	EA	SYSTEM TACHOMETER	-----
03	1	EA	MERCURY AIR TEMP SENSOR	-----
04	1	EA	TACH HARNESS SC1000-SL-3'	-----
05	1	EA	SPEEDO HARNESS SC1000-3'	-----
06	1	EA	MERC. IGNITION HARNESS	-----
07	1	EA	HARNESS, MERC DATA SMARTCRAFT 1000-1RSL-20'	1507268
08	1	EA	TERMINATOR RESISTOR	1507334
09	1	EA	JUNCTION BLOCK (4)	1507326

Boston Whaler, Inc.

DWG. NO. PB190NT31



* ITEM #1 OPT'S:
020-70031
100-70082

* DELETE #2 & #3 w/OPT'S:
020-70405
020-79999

REF. DWG PB190NT18-21
FOR HELM, KEY SWITCH &
THROTTLE P/N'S AND LOC'NS

6 DELETE W/OPTS:
020-70031
100-70082

FUEL TANK COVER

FUEL TANK
REF. DWG PB190NT34

TO SHIFT/THROTTLE
ON ENGINE

TO ENGINE

TO STEERING CYLINDER
AT ENGINE

LAY IN
COMPARTMENT

DO NOT
PULL

7 STD. & OPT: 100-70005
DELETE W/OPTS:
020-70031
020-70405,
020-79999

TO STEERING CYLINDER
ITEM (8) AT ENGINE

8 DELETE W/OPTS:
020-70031,
100-70082

**ASSEMBLY & PARTS
IDENT. DOCUMENT**

SCALE	NONE	DRAWN	J. DAIGLE
DATE	06/14/04	CHKD.	X
		DESIGN	X
		MFG.	X

ENGINEERING DEPARTMENT

TITLE STEERING/THROTTLE
SYSTEM ASSEMBLY
190NT

REV.	DESCRIPTION	DATE	BY	APP'D
1	2005 MODEL YEAR UPDATE	10/14/04	JED	
REVISIONS				

FIG. NO. PB190NT31

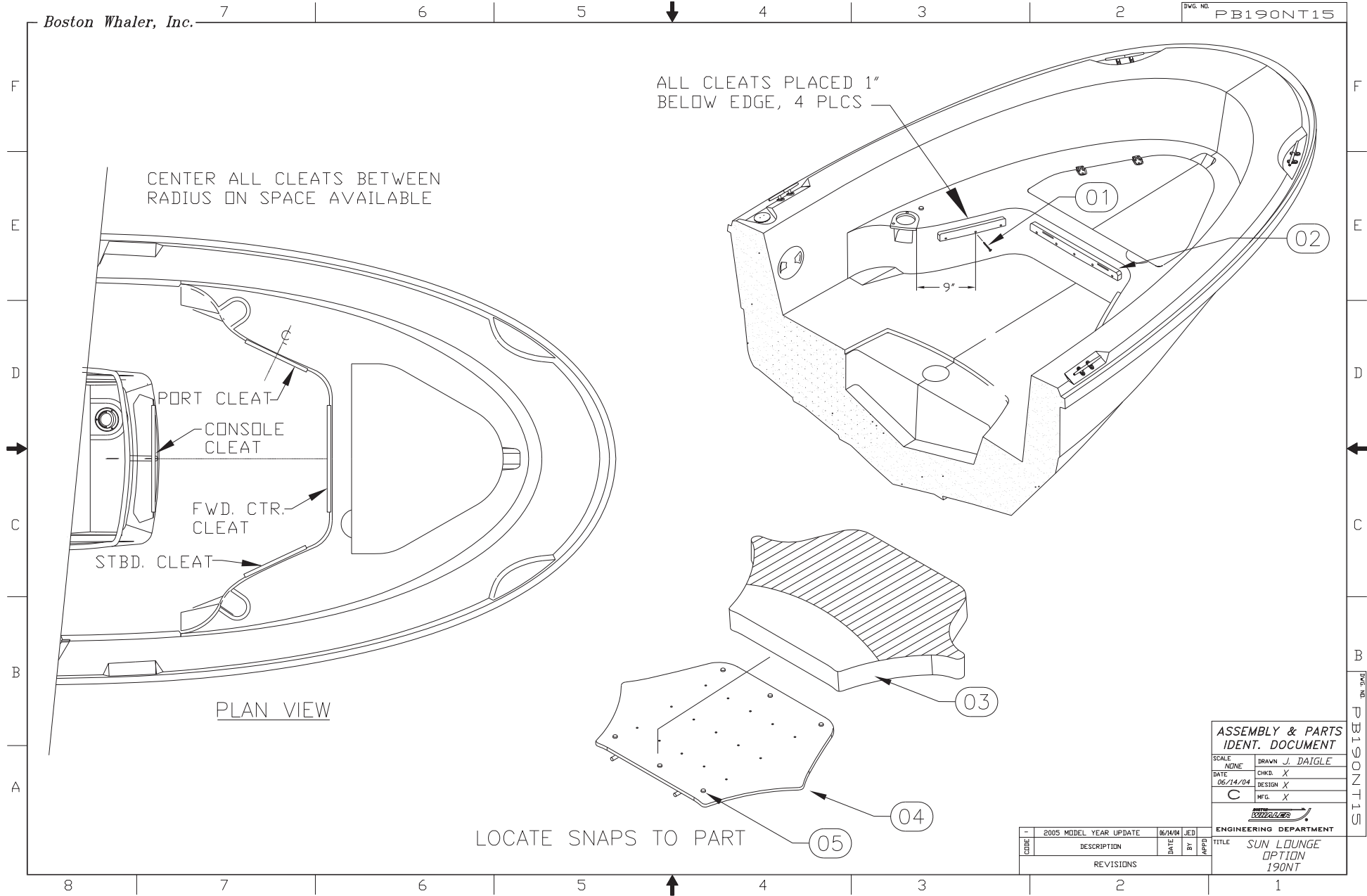
MODEL YEAR 2005 PARTS LIST

BOAT MODEL: 190 NANTUCKET
DOCUMENT CONTROL NO: PB190NT32

ITEM	QTY	U/M	DESCRIPTION	B.W.I. NO.
1	1	EA.	STEERING, CABLE NFB W/ENDS 16'	0669242
2	2	EA.	CABLE, CONTROL MERC GEN II STD 16 LAY 16'BULK	1757749
3	1	EA.	HARNESS, IGN/CHOKE ASSY 20'	1032788
4	1	EA.	TAG, BW DO NOT PULL RIGGING	0999755
5	10	FT.	CORD, NYLON 1/8" WHT	1033372
6	1	EA.	STEERING, O/B HOSE KIT 16' W/2 HOSES	0127019
7	1	EA.	HARNESS, ENG MERC DIGITAL	1477934
8	1	EA.	STEERING, HYD CYLINDER O/B PIVOT MNT	1095728
9	2	EA.	SCREW, TAPPING #8A x 3/4" PPH SC	1010651
10	2	EA.	TIE, CLIP BLK	1031764
11	2	EA.	TIE, CABLE 11" MED NYLON BLK	0157321

Boston Whaler, Inc.

DWG. NO. PB190NT15



CENTER ALL CLEATS BETWEEN RADIUS ON SPACE AVAILABLE

ALL CLEATS PLACED 1" BELOW EDGE, 4 PLCS

PORT CLEAT
 CONSOLE CLEAT
 FWD. CTR. CLEAT
 STBD. CLEAT

PLAN VIEW

LOCATE SNAPS TO PART

ASSEMBLY & PARTS IDENT. DOCUMENT

SCALE	NONE	DRAWN	J. DAIGLE
DATE	06/14/04	CHKD.	X
		DESIGN	X
		MFG.	X



ENGINEERING DEPARTMENT
TITLE: SUN LOUNGE OPTION 190NT

CODE	DESCRIPTION	DATE	BY	APP'D
1	2005 MODEL YEAR UPDATE	06/14/04	JED	
REVISIONS				

DWG. NO. PB190NT15

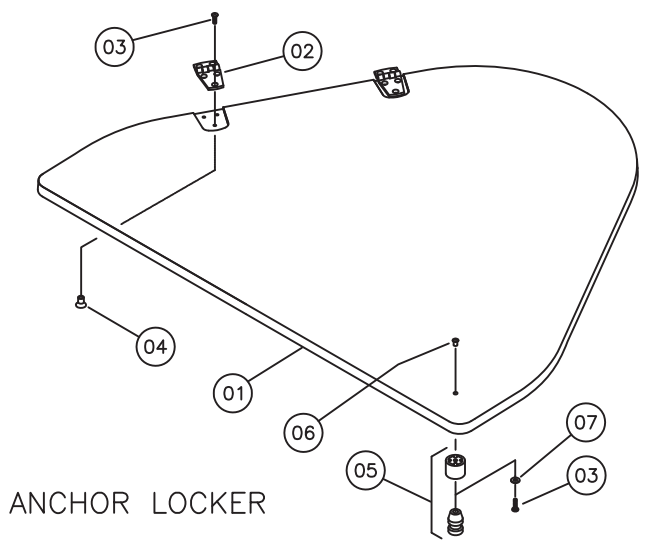
MODEL YEAR 2005 PARTS LIST

BOAT MODEL: 190 NANTUCKET
DOCUMENT CONTROL NO: PB190NT16

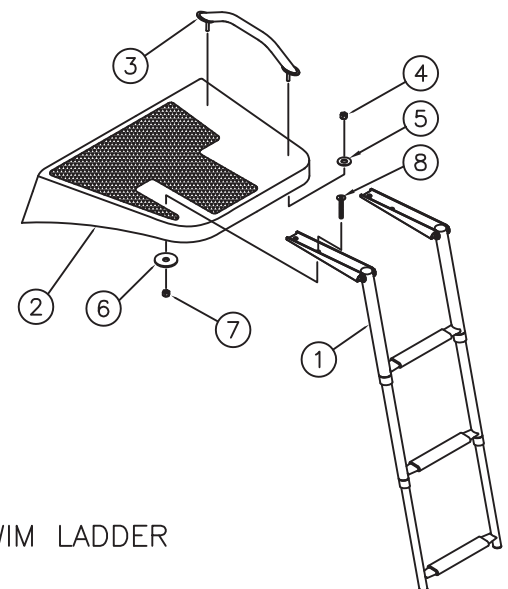
ITEM	QTY.	U/M	DESCRIPTION	B.W.I. NO.
1	11	EA.	SCREW, TAPPING #10A X 1.5" POH SC	1008515
2	1	EA.	CLEAT, HDPE BW190NT-03 SUN LNG	1751616
3	1	EA.	CUSH, BW190NT-03 SUN LNGR FILR	1745143
4	1	EA.	FILLER, HDPE BW190NT-03 SUN LNG	1751615
5	7	EA.	SNAP STUD, W/#8 X 3/8"PH BR/NI/SS	0203786

Boston Whaler, Inc.

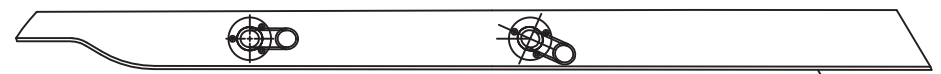
DWG. NO. PB190NT21



ANCHOR LOCKER

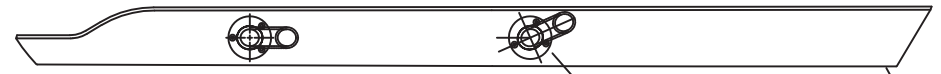


SWIM LADDER



PORT GUNNEL BOARD

AFT END



STBD GUNNEL BOARD

ASSEMBLY & PARTS IDENT. DOCUMENT

SCALE	NONE	DESIGNED BY	BRAYN J. DAIGLE
DATE	06/14/04	CHECKED BY	X
		DESIGN BY	X
		REC'D BY	X



ENGINEERING DEPARTMENT

TITLE SWIM LADDER, GUNNELS & ANCHOR LDC'R ASSM. 190NT

REV	DESCRIPTION	DATE	BY	APP'D
1	2005 MODEL YEAR UPDATE		BAW/JED	
REVISIONS				

DWG. NO. PB190NT21

MODEL YEAR 2005 PARTS LIST

BOAT MODEL: 190 NANTUCKET
DOCUMENT CONTROL NO: PB190NT22

GUNNEL BOARDS

ITEM	QTY.		U/M	DESCRIPTION	BWI NO.
	STD.	OPT.			
01	1	-	EA.	FIBERGLASS PART, GUNNEL BOARD, PORT	22K16000
02	1	-	EA.	FIBERGLASS PART, GUNNEL BOARD, STBD	22K16100
03	4	-	EA.	ROD HOLDER, FLUSH MNT SS W/BW LOGO	1591643
04	12	-	EA.	SCREW, MACHINE #1/4-20 X 1.5" POH SC	1010438
05	12	-	EA.	NUT, HEX NYLON LOCK #1/4-20 SC	1007764
06	12	-	EA.	WASHER, FLAT #1/4" SC	1260769

SWIM LADDER

ITEM	QTY	U/M	DESCRIPTION	B.W.I. NO.
1	1	EA.	LADDER, SWIM 3-STEP TELESCOP W/10" BRACKET	1589696
2	1	EA.	FIBERGLASS PART, SWIM PLATFORM	22-K170-00
3	1	EA.	RAIL, GRAB BW130DA-97 11"X1"SS W/STUD	1008960
4	2	EA.	NUT, HEX NYLON LOCK #5/16-18 SC	1007814
5	2	EA.	WASHER, FLAT #5/16" SC	1260785
6	6	EA.	WASHER, FENDER 1/4"X 1.25" SC	1260678
7	6	EA.	NUT, HEX NYLON LOCK #1/4-20 SC	1007764
8	6	EA.	SCREW, MACHINE #1/4-20 X 1.75" PFH SC	1007889

ANCHOR LOCKER COVER

ITEM	STD. QTY.	U/M	DESCRIPTION	MRP NUMBER
01	1	EA.	FIBERGLASS PART, ANCHOR LOCKER COVER	22K16300
02	2	EA.	HINGE, DOOR SS 1.5"X 3" THINLINE	1617323
03	7	EA.	SCREW, MACHINE #10-24 X 3/4" POH SC	1008440
04	6	EA.	NUT, BBL #10-24 X 3/8" FH	1040187
05	1	EA.	STOP, DOOR HOLDER RBR BLUE	1142348
06	1	EA.	NUT, BBL #10-24 X 3/8" TH CHR/BR	1040211
07	1	EA.	WASHER, FLAT #10 SC	1260751

Boston Whaler, Inc.

7

6

5



4

3

2

DWG. NO. PB190NT01

F

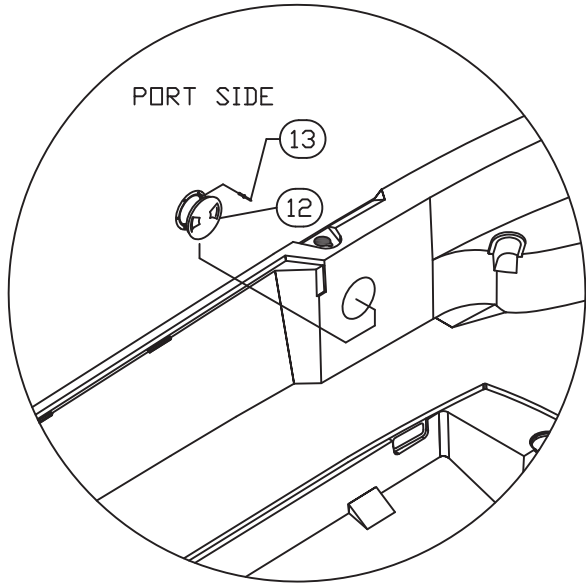
E

D

C

B

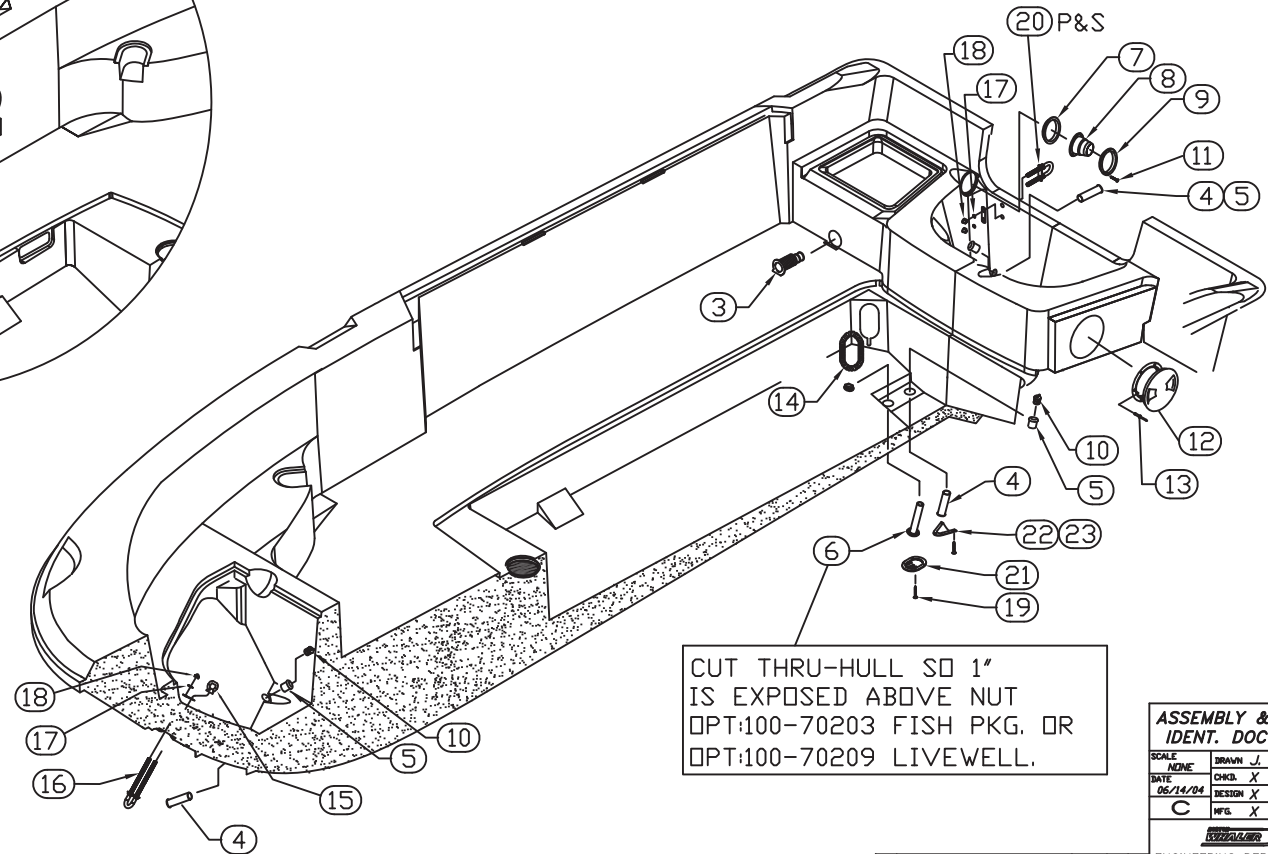
A



PORT SIDE

13

12



CUT THRU-HULL SO 1" IS EXPOSED ABOVE NUT
OPT:100-70203 FISH PKG. OR
OPT:100-70209 LIVEWELL.

ASSEMBLY & PARTS IDENT. DOCUMENT

SCALE	NONE
DATE	06/14/04
CHKD.	X
DESIGN	X
PRG.	X

BRUNN J. DAIGLE

2005 MODEL YEAR UPDATE	8/14/04	JED
DESCRIPTION	THRU-HULLS	
REVISIONS		

ENGINEERING DEPARTMENT
190NT

8

7

6

5



4

3

2

1

F

E

D

C

B

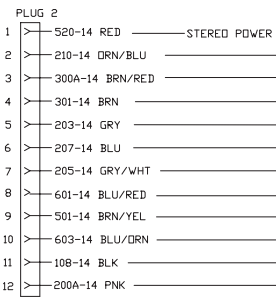
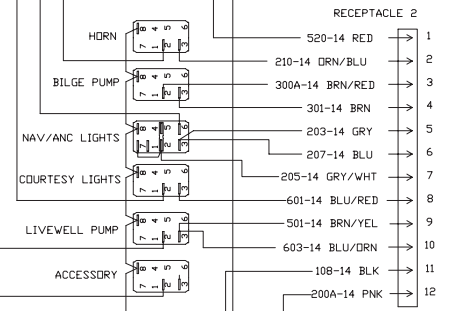
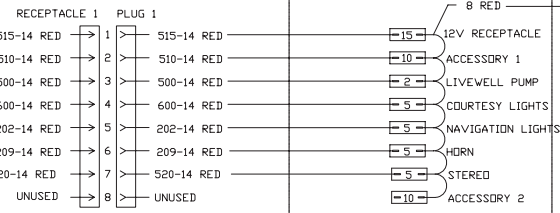
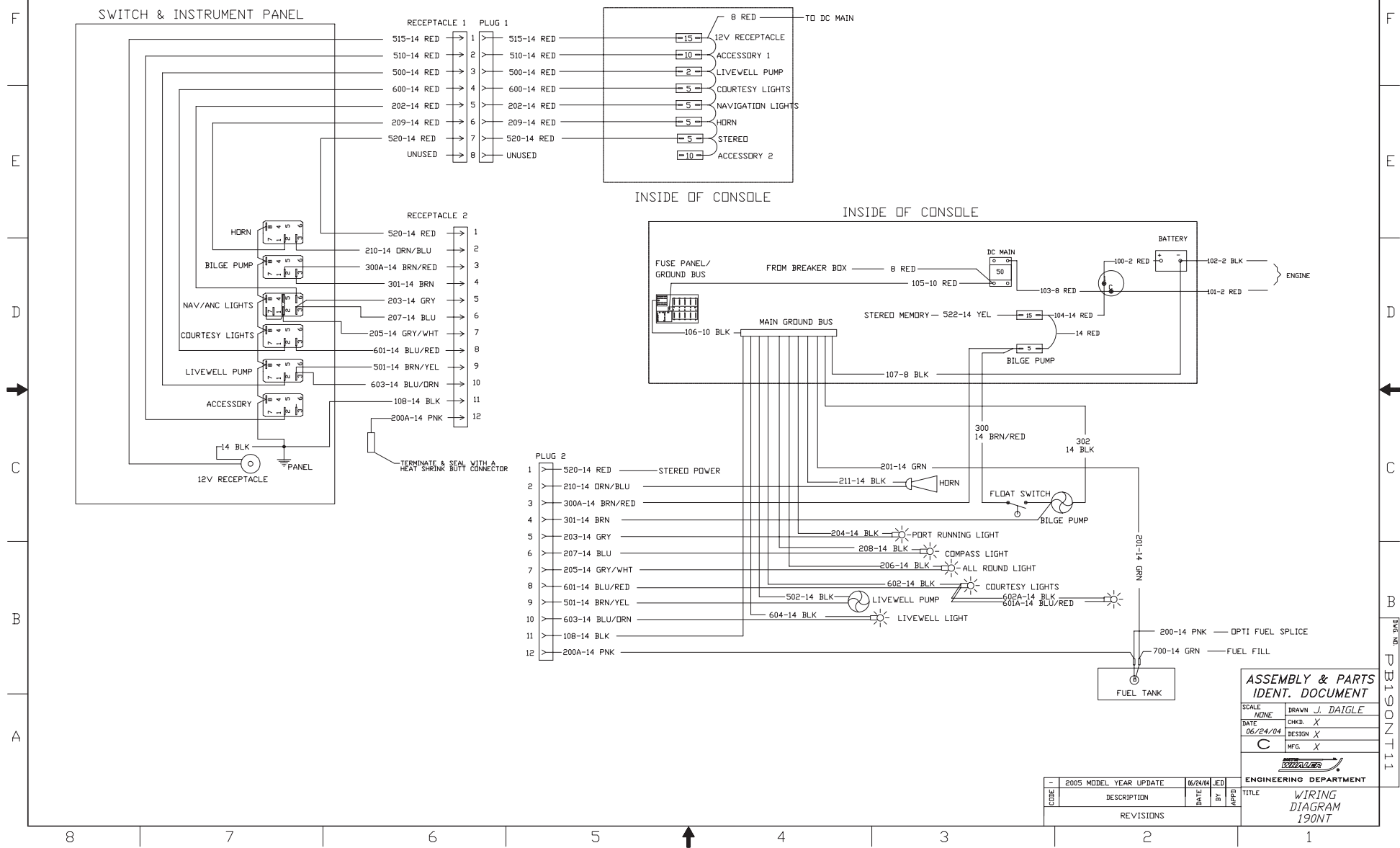
A

DWG. NO. PB190NT01

MODEL YEAR 2005 PARTS LIST

BOAT MODEL: 190 NANTUCKET
DOCUMENT CONTROL NO: PB190NT02

ITEM	QTY.	U/M	DESCRIPTION	B.W.I. NO.
1	1	EA.	THRU-HULL, PLAS 1 11/32" ADJUST'BL W/ SCUPPER	0996538
2	2	EA.	THRU-HULL, PLAS 1.5" RECESSED SCUPPER	0996546
3	1	EA.	THRU-HULL. PLAS 1.5" L-FLANGE W/BARB/NUT WHT	1072826
4	5	EA.	THRU-HULL. PVC PRESS-FIT	1042084
5	5	EA.	NUT, PVC RETAINING THRU-HULL	1042068
6	1	EA.	THRU-HULL, BRZ 3/4"W/ NUT X-LONG	1032499
7	1	EA.	BOOT, CABLE 3" BLK	1043223
8	1	EA.	BOOT, CABLE RING 3" BLK	1043330
9	1	EA.	GROMMET, CABLE BOOT 3" BLK	1574839
10	2	EA.	PLUG, BRASS 1" DRAIN TURN-TITE	0133371
11	6	EA.	SCREW, TAPPING #8A X 1" PTH SC	1008804
12	2	EA.	ACCESS PLATE, POLYPROP TWIST-OUT 5" WHT	1016153
13	12	EA.	RIVET, POP/BLIND #3/16 X 5/8" ALUM	0189415
14	1.2	FT.	HOSE, CONDUIT/SPLIT 1/2" FLAME RETARDANT	1501782
15	1	EA.	LIFT RING, BW-97 BOW EYE NUT 1/2"	1035245
16	1	EA.	EYE, BOW 1/2"X 6.5" SS	0995480
17	5	EA.	WASHER, LOCK/SPLIT 1/2" SC	1326214
18	5	EA.	NUT, ACORN #1/2"-13 SC	1662402
19	4	EA.	SCREW, TAPPING #8A X 3/4" POH SC	1213057
20	2	EA.	EYE, STERN 1/2"X 3" SS	0995464
21	1	EA.	STRAINER, MARELON 3/4" SCREEN ONLY	0995589
22	1	EA.	VENT, CLAMSHELL ROPE LCKR 2"X2"	0533430
23	3	EA.	SCREW, TAPPING #6A x 3/4" POH SC	1008564



ASSEMBLY & PARTS IDENT. DOCUMENT

SCALE	NONE	DRAWN	J. DAIGLE
DATE	06/24/04	CHKD.	X
		DESIGN	X
		REG.	X

CODE	DESCRIPTION	DATE	BY	APP'D	TITLE
-	2005 MODEL YEAR UPDATE	6/26/05	JED		ENGINEERING DEPARTMENT
	REVISIONS				WIRING DIAGRAM 190NT