

THIS DOCUMENT IS THE PROPERTY OF BOSTON WHALER, INC. MFG. DEPT., EDGEWATER, FLORIDA. ALL RIGHTS ARE RESERVED. THIS DOCUMENT AND INFORMATION CONTAINED MUST NOT BE COPIED OR DISCLOSED TO OTHERS WITHOUT WRITTEN PERMISSION OF BOSTON WHALER, INC.

DWG. NO:  
09402

REV.  
D

CURRENT ECD  
060228

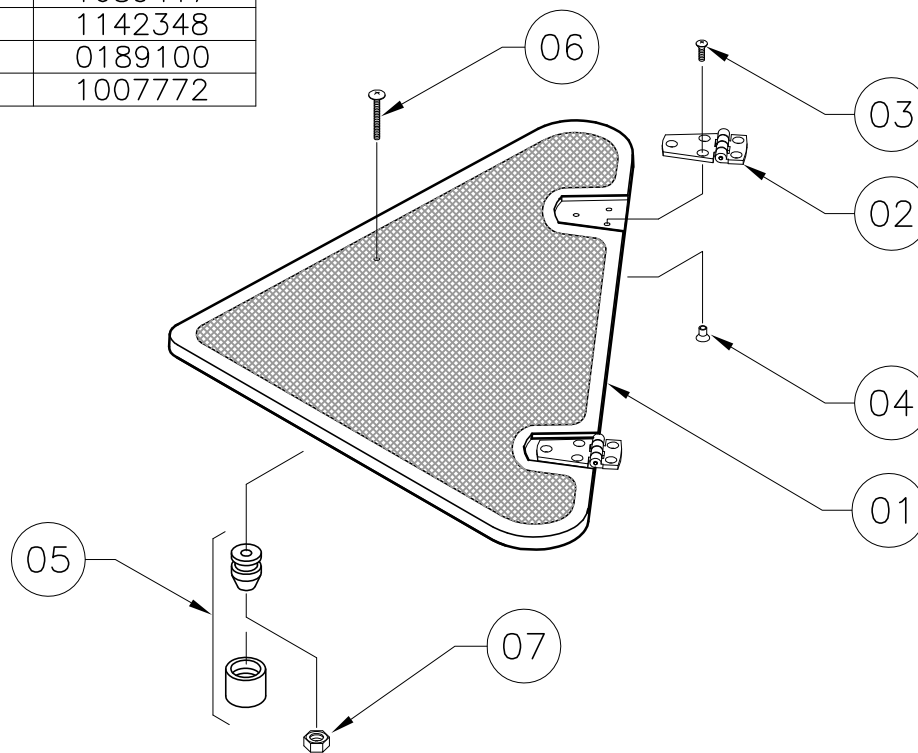
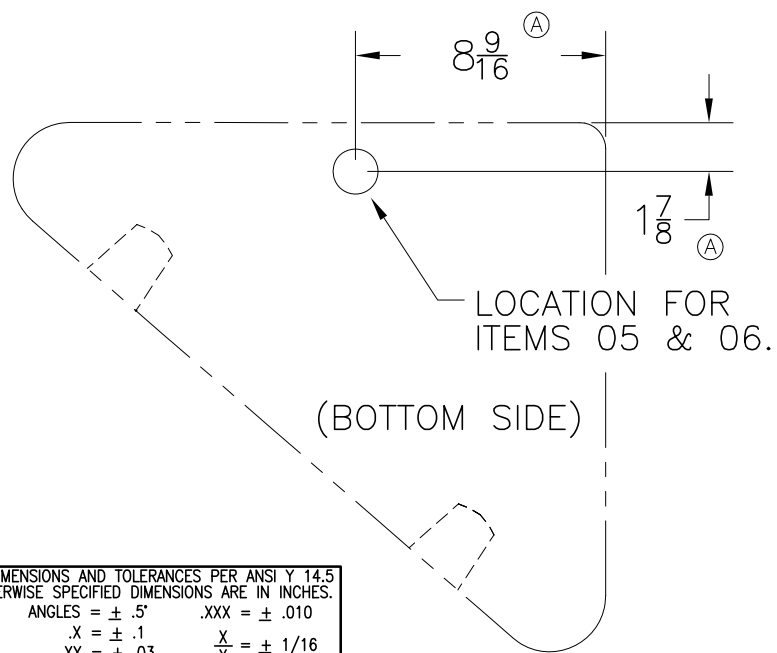
NOTES:

- REFER TO DWG. 22-K061-00 FOR TRIM & GRIND INFORMATION.
- ALL FASTENERS SHALL BE SEALED USING WHITE SILICONE DURING INSTALLATION. SEALANT SHALL BE SMOOTHED OVER ON BARREL NUTS.

REVISIONS					
REV.	DESCR.	BY	DATE	APPVD.	ECN NO.
B	#03 P/N 1690961 WAS 1008432; #06 P/N 0189100 WAS 1341973.	SL	02/12/02	-	020215
C	Changed Numbering System/Apply Att.Border.	AVM	06/09/03	RA	030318
D	MODIFY DRAWING BORDER TO AN ATTRIBUTED BORDER	TS	02/27/06	AVM	060228

## PARTS LIST

ITEM	STD. QTY.	U/M	DESCRIPTION	MRP NUMBER
01	1	EA.	FIBERGLASS PART, ANCHOR LOCKER COVER	22-K061-00
02	2	EA.	HINGE, DOOR SS 1.5"X 3" THINLINE	1617323
ⓑ	03	6	EA. SCREW, MACHINE #10-24 X 3/8" POH SC	1690961
Ⓐ	04	6	EA. NUT, BBL #10-24 X 1/4" FH	1689417
	05	1	EA. STOP, DOOR HOLDER RBR BLUE	1142348
ⓑ	06	1	EA. SCREW, MACHINE #10-24 X 1.5" PPH SS	0189100
	07	1	EA. NUT, HEX NYLON LOCK #10-24 SC	1007772



INTERPRET DIMENSIONS AND TOLERANCES PER ANSI Y 14.5 UNLESS OTHERWISE SPECIFIED DIMENSIONS ARE IN INCHES.  
TOLERANCES: ANGLES = ± .5° .XXX = ± .010  
.X = ± .1 .XX = ± .03 X = ± 1/16  
DO NOT SCALE DRAWING



CHECKED: R. AVILA	DATE: 10/09/01	DRAWN: R DURHAM	DATE: 10/08/01	SCALE: NONE	BOAT MODEL 2700R	MOLD NO.
APPD: K. RANIERI	DATE: 10/09/01	DWG. TITLE: ANCHOR LOCKER COVER SUB-ASSEMBLY			INIT. REL. ECN NO: 010624	DWG. NO: 09402
DESIGN: L. SCHOLZ	DATE: 10/09/01				SHT. NO. 1 of 1	
INT. ENG: M. GATICA	DATE: 1/17/02					

THIS DOCUMENT IS THE PROPERTY OF BOSTON WHALER, INC. MFG. DEPT., EDGEWATER, FLORIDA. ALL RIGHTS ARE RESERVED. THIS DOCUMENT AND INFORMATION CONTAINED MUST NOT BE COPIED OR DISCLOSED TO OTHERS WITHOUT WRITTEN PERMISSION OF BOSTON WHALER, INC.

DWG. NO: 07206 REV. K CURRENT ECD 050820

REVISIONS					
REV.	DESCR.	BY	DATE	APPVD.	ECN NO.
J	ADD OPT. 100-70402	GD	11/18/05	RA	05-11-40
K	LEAD #'S 140 & 141 1/4" RINGS WERE 5/16".	SL	12/14/05	ME	050820

	WIRE #	AWG	COLOR	FROM	TO	LENGTH	TERM	TERM
(F)(E)(C)	100	2/0	RED	STBD BATTERY POSITIVE	STBD BATTERY SWITCH POS 2	9'	3/8 RING	5/16 RING
(F)(E)(C)	103	2/0	RED	PORT BATTERY POSITIVE	PORT BATTERY SWITCH POS 1	11'	3/8 RING	5/16 RING
	105	4	RED	PORT BATTERY SWITCH POS 1	STBD BATTERY SWITCH POS 1	16"	5/16 RING	5/16 RING
	106	4	RED	PORT BATTERY SWITCH POS 2	STBD BATTERY SWITCH POS 2	16"	5/16 RING	5/16 RING
(F)	109	2	BLK	PORT BATTERY NEGATIVE	NEGATIVE GROUND BUS	146"	5/16 RING	5/16 RING (C)
	111	10	RED	STBD BATTERY SWITCH POS 2	UNSWITCHED MAIN BREAKER	20"	5/16 RING	1/4 RING
	112	6	RED	STBD BATTERY SWITCH COMMON	SWITCHED MAIN BREAKER	20"	5/16 RING	1/4 RING
	113	6	RED	STBD BATTERY SWITCH COMMON	WINDLASS BREAKER	20"	5/16 RING	1/4 RING
(F)	*114	4	RED	HOUSE BATTERY POSITIVE	BREAKER	20"	3/8 RING	1/4 RING
(F)	*115	4	RED	BREAKER	HOUSE BATTERY SWITCH POSITION 1	68"	1/4 RING	3/8 RING (C)
(F)	*116	2	BLK	HOUSE BATTERY NEGATIVE	PORT BATTERY NEG.	2'	5/16 RING	5/16 RING
	*117	6	RED	PORT ALTERNATOR	ISOLATOR	90"	1/4 RING	1/4 RING
	*118	6	RED	STBD ALTERNATOR	ISOLATOR	110"	1/4 RING	1/4 RING
	120	6	RED	ISOLATOR	STBD ENGINE TERM BLOCK	34"	1/4 RING	5/16 RING (C)
	121	6	RED	ISOLATOR	PORT ENGINE TERM BLOCK	10"	1/4 RING	5/16 RING (C)
(H)(E)	130	2	RED	STBD TERM POST	STBD ENGINE	76"	5/16 RING	5/16 RING (C)
(H)(E)	131	2	BLK	STBD ENGINE	STBD TERM POST	76"	5/16 RING	5/16 RING (C)
(H)(E)	132	2	RED	PORT TERM POST	PORT ENGINE	76"	5/16 RING	5/16 RING (C)
(H)(E)	133	2	BLK	PORT ENGINE	PORT TERM POST	76"	5/16 RING	5/16 RING (C)
(F)	\$140	8	RED	AUTOMATIC POWER SWITCH	PORT ENG TERMINAL BLOCK	40"	1/4 RING	1/4 RING (K)
(F)	\$141	8	RED	AUTOMATIC POWER SWITCH	STBD ENG TERMINAL BLOCK	20"	1/4 RING	1/4 RING (K)

- (H) \* OPTION 100-70451 (BATTERY CHARGER 10 AMP 3 BANK)  
 \$ OPTION 020-70272 225 CXL DUAL VERADO 4-STROKE (DTS) MERCURY  
 ① 020-70289 (EU) 225 CXL VERADO 4-STROKE (DTS) MERCURY  
 ② 100-70402 (MPJ ONLY) DUAL VERADO PRE-RIG

- CONDUCTORS ARE TO BE STRANDED TINNED COPPER WITH MINIMUM TYPE 2 STRANDING FOR 1/0 OR SMALLER CABLE AND TYPE 3 STRANDING FOR 2/0 AND LARGERCABLES PER ABYC E-9.
- INSULATION TO BE PVC AND WITHSTAND TEMPERATURES TO 105 DEGREES C. CONDUCTORS AND INSULATION SHALL MEET THE REQUIREMENTS OF SAE J378 & J1127.
- RING TERMINALS TO BE CLOSED END TYPE, TIN PLATED COPPER, AND MECHANICALLY CRIMPED.
- 1/2" OF ADHESIVE LINED HEAT SHRINK TUBING MUST OVERLAP CABLE INSULATION. USE RED FOR POSITIVE & BLACK FOR NEGATIVE.
- LABEL ALL WIRES WITH SPECIFIED NUMBERS.
- WIRES 111,112,113,114,117,118,120 & 121 ARE TO BE SHEATHED IN FLEX FROM END TO END.
- WITH HOUSE BATTERY OPTION WIRE 111 CONNECTS TO HOUSE BATTERY SWITCH POSITION 1. WIRES 112 & 113 CONNECT TO HOUSE BATTERY SWITCH COMMON.

INTERPRET DIMENSIONS AND TOLERANCES PER ANSI Y 14.5 UNLESS OTHERWISE SPECIFIED DIMENSIONS ARE IN INCHES.  
 TOLERANCES: ANGLES = ± .5° .XXX = ± .010  
 .X = ± .1 X = ± 1/16  
 .XX = ± .03 X = ± 1/16  
 DO NOT SCALE DRAWING



CHECKED: R. DURHAM	DATE: 12/10/01	DRAWN: R. CLIFTON	DATE: 09/27/01	SCALE: NONE	BOAT MODEL	MOLD NO.
APPD: R. CLIFTON	DATE: 12/10/01	DWG. TITLE: Battery Cables			2700R	
DESIGN: L. SCHOLZ	DATE: 12/10/01	INIT. REL. ECN NO:	DWG. NO:	SHT. NO.		
INT. ENG: M. GATICA	DATE: 1/17/02	010624	07206	1 of 1		

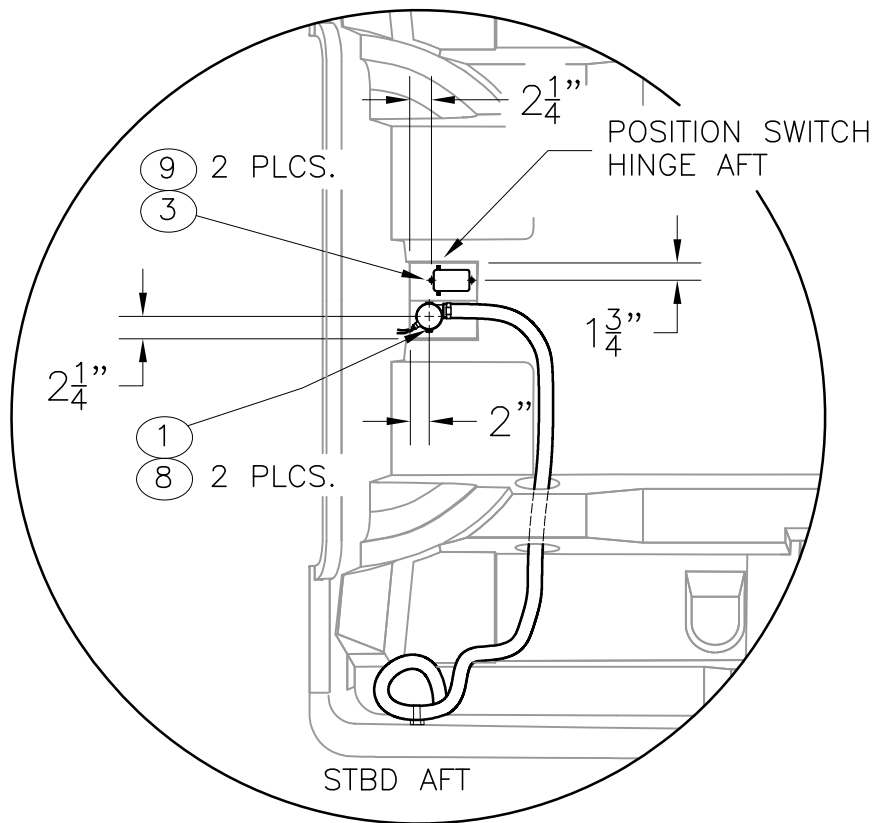
THIS DOCUMENT IS THE PROPERTY OF BOSTON WHALER, INC. MFG. DEPT., EDGEWATER, FLORIDA. ALL RIGHTS ARE RESERVED. THIS DOCUMENT AND INFORMATION CONTAINED MUST NOT BE COPIED OR DISCLOSED TO OTHERS WITHOUT WRITTEN PERMISSION OF BOSTON WHALER, INC.

DWG. NO: 06102  
 REV. D  
 CURRENT ECD 060624

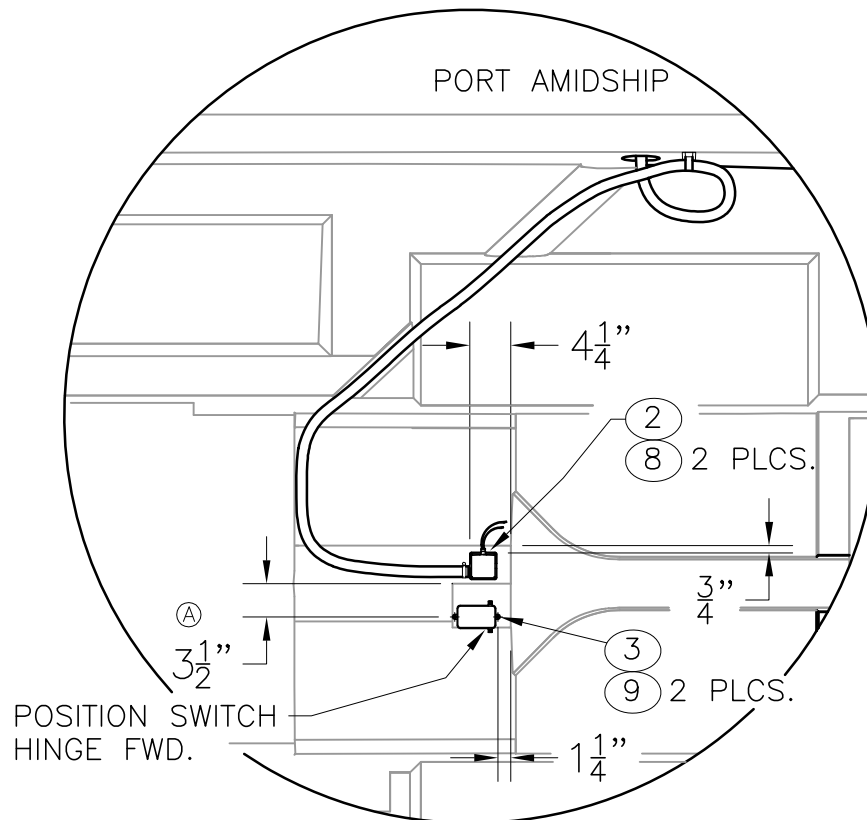
NOTES:

1. ALL HOSE & LINE ROUTINGS SHALL COMPLY W/ NMMA, USCG & ABYC RECOMMENDED PRACTICES. SECURE EVERY 14" MIN.
2. REFER TO DWG. 01-251 FOR CUT LENGTHS OF ALL HOSES.
3. APPLY MARINE ADHESIVE (SIKA-FLEX) TO ALL DRILLED HOLES FOR MTG SCREWS JUST PRIOR TO SCREW INSTALLATION.
4. FORM & SECURE VENT LOOP IN BILGE HOSES AS SHOWN. SECURE TO HULL STRUCTURE PRIOR TO CAPPING BOAT.

REVISIONS					
REV.	DESCR.	BY	DATE	APPVD.	ECN NO.
A	ADDED VIEWS OF #8, 11 & 12, CHNG DIM ON SWITCH LOC.	RC	01/08/02	-	010624
B	CHANGED NUMBERING SYSTEM/ APPLY ATT. BORDER	AVM	04/14/03	-	030318
C	MODIFY DRAWING BORDER TO AN ATTRIBUTED BORDER	TS	02/24/06	AVM	060228
D	CHANGED PART NO. & DESCRIPTION FOR ITEM #'S 3 & 9, SHEETS 1 & 2.	JC/SL	07/12/06	AVM	060624



AFT BILGE PUMP & SWITCH LOCATION(S)



FWD. BILGE PUMP & SWITCH LOCATION(S)

INTERPRET DIMENSIONS AND TOLERANCES PER ANSI Y 14.5 UNLESS OTHERWISE SPECIFIED DIMENSIONS ARE IN INCHES.  
 TOLERANCES: ANGLES = ± .5° .XXX = ± .010  
 .X = ± .1 X = ± 1/16  
 .XX = ± .03 X = ± 1/16  
 DO NOT SCALE DRAWING

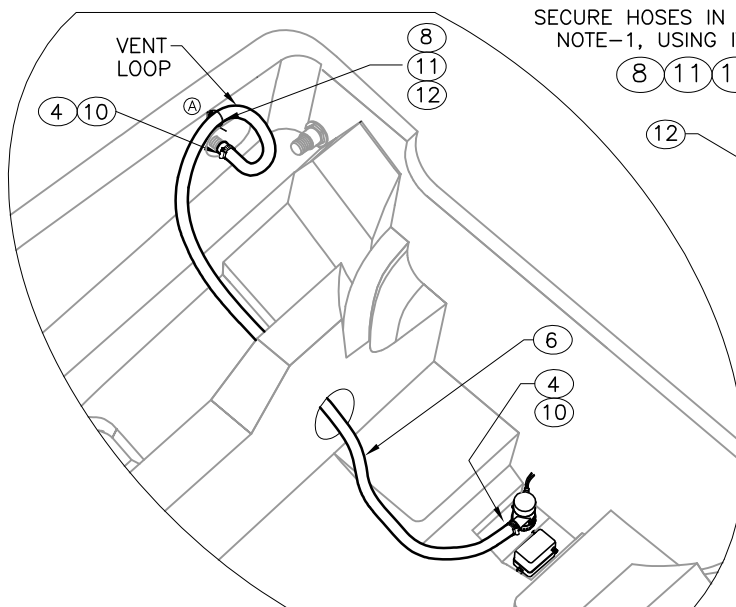


CHECKED: R. AVILA	DATE: 09/26/01	DRAWN: H READ	DATE: 08/04/01	SCALE: NONE	BOAT MODEL 2700R	MOLD NO.
APPD: K. RANIERI	DATE: 09/26/01	DWG. TITLE: BILGE PUMP INSTALLATION			INIT. REL. ECN NO: 010624	DWG. NO: 06102
DESIGN: L. SCHOLZ	DATE: 09/26/01					SHT. NO. 1 of 2
INT. ENG: MG	DATE: 01/15/02					

NOTES:

## PARTS LIST

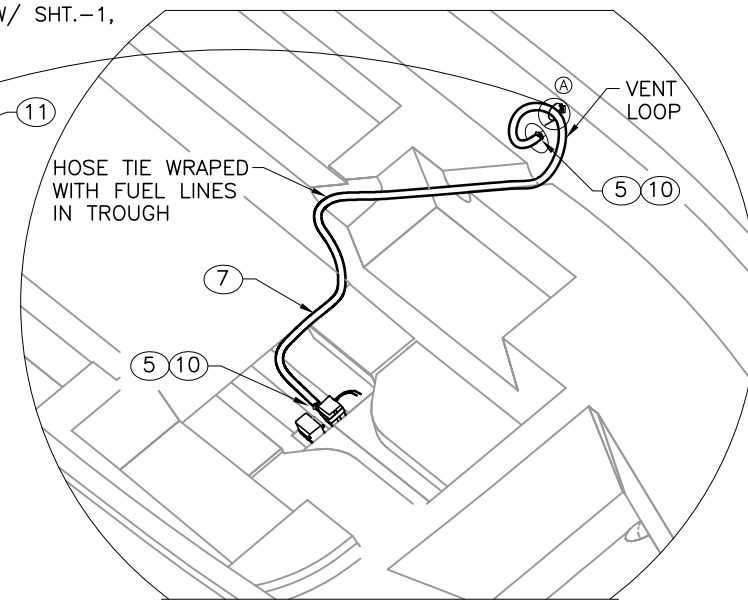
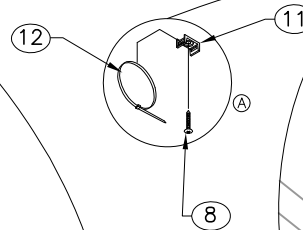
ITEM	QTY.	U/M	DESCRIPTION	B.W.I. NO.
1	1	EA.	PUMP, BILGE 1100 GPH	1480094
2	1	EA.	PUMP, BILGE 800GPH	0698290
③	2	EA.	SWITCH, FLOAT RULE W/CVR MERCURY FREE	1849537
4	2	EA.	CLAMP, HOSE #16 3/4"-1.5" SS .505	0256685
5	2	EA.	CLAMP, HOSE #10 1/2"-1 1/8" SS .505	0263954
6	-	FT.	HOSE, WATER 1 1/8" BLK	1042076
7	-	FT.	HOSE, GEN PURPOSE 3/4"	0123810
8	10	EA.	SCREW, TAPPING #8A X 5/8" PTH SC	1010925
⑨	4	EA.	SCREW, TAPPING #8A X 1.25" PTH SC	1130053
10	4	EA.	COVER, CLAMP END PROT 1/2"L X.035"X.30"RED	0830976
11	6	EA.	TIE, CLIP BLK	1031764
12	6	EA.	TIE, CABLE 11" MED NYLON BLK	0157321



**AFT BILGE PUMP INSTALLATION**  
SEE SHT. 1 FOR PUMP & SWITCH LOC'N DIMS.

SECURE HOSES IN ACCORDANCE W/ SHT.-1,  
NOTE-1, USING ITEMS:

⑧ ⑪ ⑫



**FWD. BILGE PUMP INSTALLATION**

THIS DOCUMENT IS THE PROPERTY OF BOSTON WHALER, INC. MFG. DEPT., EDGEWATER, FLORIDA. ALL RIGHTS ARE RESERVED. THIS DOCUMENT AND INFORMATION CONTAINED MUST NOT BE COPIED OR DISCLOSED TO OTHERS WITHOUT WRITTEN PERMISSION OF BOSTON WHALER, INC.

DWG. NO:  
09408

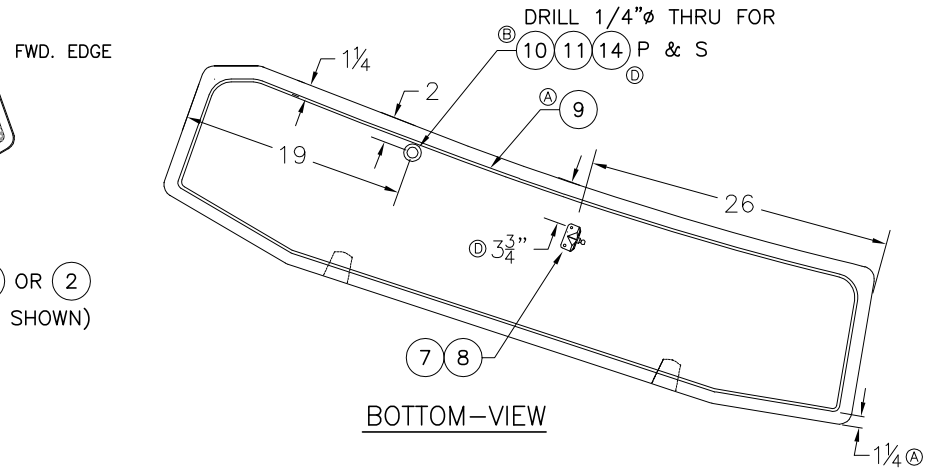
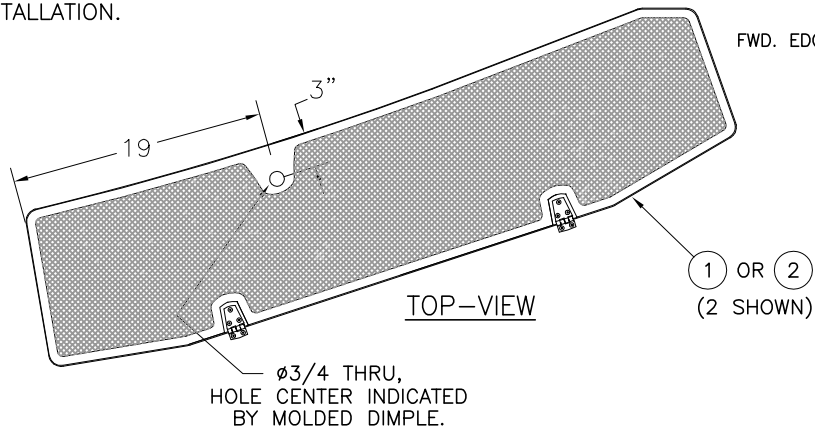
REV.  
H

CURRENT ECD  
060228

NOTES:

1. STARBOARD COVER SUB-ASSY. SHOWN, PORT COVER WILL BE A MIRROR IMAGE.
2. LATCH STRIKE & KEY SHALL BE TAPED TO COVER FOR LATER INSTALLATION AT DECK. THE KEY SHALL BE PLACED IN THE OWNERS PACKET.
3. BLACK PORTION OF BLUE RUBBER LATCH (ITEM-10) SHALL BE INSERTED INTO THE BLUE RUBBER PART TO PREVENT LOSS AFTER INSTALLATION.

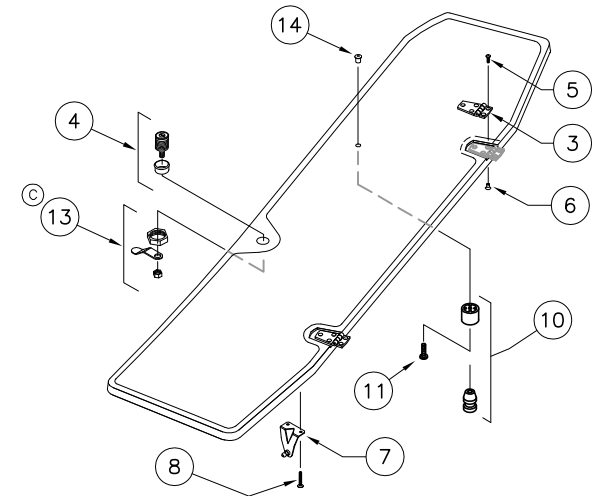
REVISIONS					
REV.	DESCR.	BY	DATE	APPVD.	ECN NO.
D	CHANGED DIMENSION ON ITEM 7, WAS 4"	SLJ	02/26/03	-	030214
E	2004 MODEL YEAR ENHANCEMENTS	RD	05/15/03	RA	030346
F	Changed Numbering System/Apply Att.Border.	AVM	06/09/03	ZAC	030318
G	MYE 2005: # 09 WAS 1232156	JED	04/19/04	SH	040146
H	MODIFY DRAWING BORDER TO AN ATTRIBUTED BORDER	TS	02/27/06	AVM	060228



QTY'S. 3 THRU 14 ARE FOR TWO COVER ASS'YS.

**PARTS LIST**

ITEM	QTY.	U/M	DESCRIPTION	B.W.I. NO.
01	1	EA.	BOW STORAGE COVER, PORT	22-K072-00
02	1	EA.	BOW STORAGE COVER, STBD	22-K072-01
03	4	EA.	HINGE, DOOR SS 1.5"X 3" THINLINE	1617323
04	2	EA.	LATCH, FLUSH LOCKING SS W/ REMOVBL KEY	1687653
05	12	EA.	SCREW, MACHINE #10-24 X 5/8" POH SC	1010545
06	12	EA.	NUT, BBL #10-24 X 3/8" FH	1040187
07	2	EA.	BRACKET, SS GAS CYL 90DEG 2.062" W/STUD	0732792
08	4	EA.	SCREW, TAPPING #10A X 3/4" PTH SC	1008762
09	14	FT.	TRIM-SEAL, #X1568HT 3/4"X 1/16" SELF-ADH BLK	1769583
10	2	EA.	STOP, DOOR HOLDER RBR BLUE	1142348
11	2	EA.	SCREW, MACHINE #10-24 X 1/2" POH SC	1008432
12	2	EA.	NUT, HEX NYLON LOCK #10-24 SC	1007772
13	2	EA.	LOCK, FLUSH LOCKING SS BARREL	1691010
14	2	EA.	NUT, BBL #10-24 x 3/8" TH CHR/BR	1040211



INTERPRET DIMENSIONS AND TOLERANCES PER ANSI Y 14.5 UNLESS OTHERWISE SPECIFIED DIMENSIONS ARE IN INCHES.  
 TOLERANCES: ANGLES = ± .5° .XXX = ± .010  
 .X = ± .1 .XX = ± .03 X/X = ± 1/16  
 DO NOT SCALE DRAWING



CHECKED: RA	DATE: 12/12/01	DRAWN: R DURHAM	DATE: 11/27/02	SCALE: NONE	BOAT MODEL	MOLD NO.
APPD: KR	DATE: 12/12/01	DWG. TITLE:		2700R		
DESIGN: L. SCHOLZ	DATE: 12/12/01	BOW STORAGE COVER ASSEMBLY		INIT. REL. ECN NO:	DWG. NO:	SHT. NO.
INT. ENG: M. GATICA	DATE: 1/17/02			010624	09408	1 of 1

THIS DOCUMENT IS THE PROPERTY OF BOSTON WHALER, INC. MFG. DEPT., EDGEWATER, FLORIDA. ALL RIGHTS ARE RESERVED. THIS DOCUMENT AND INFORMATION CONTAINED MUST NOT BE COPIED OR DISCLOSED TO OTHERS WITHOUT WRITTEN PERMISSION OF BOSTON WHALER, INC.

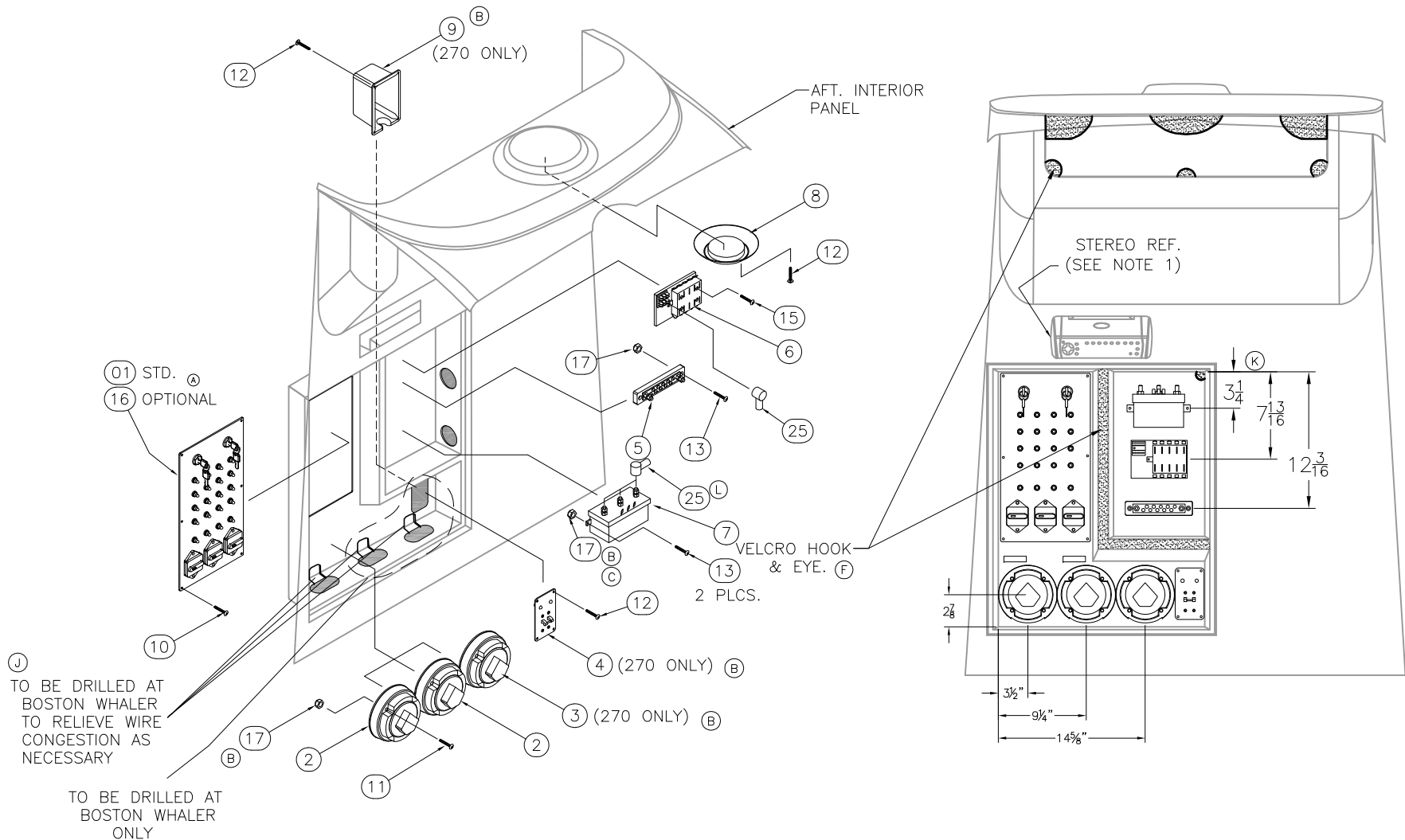
DWG. NO:  
09418

REV.  
L

CURRENT ECD  
06103709

REVISIONS					
REV.	DESCR.	BY	DATE	APPVD.	ECN NO.
L	ADDED BOOTS #25 TO WINDLASS SOLENOID, SHEET 1, CHNG QTY SHEET 3	SLJ	11/01/06	DJW	06103709

1. REFER TO DWG. 09-201 FOR INSTALLATION OF AFT. INTERIOR PANEL.



INTERPRET DIMENSIONS AND TOLERANCES PER ANSI Y 14.5 UNLESS OTHERWISE SPECIFIED DIMENSIONS ARE IN INCHES.  
TOLERANCES: ANGLES = ± .5° .XXX = ± .010  
.X = ± .1 .XX = ± .03 X = ± 1/16  
DO NOT SCALE DRAWING



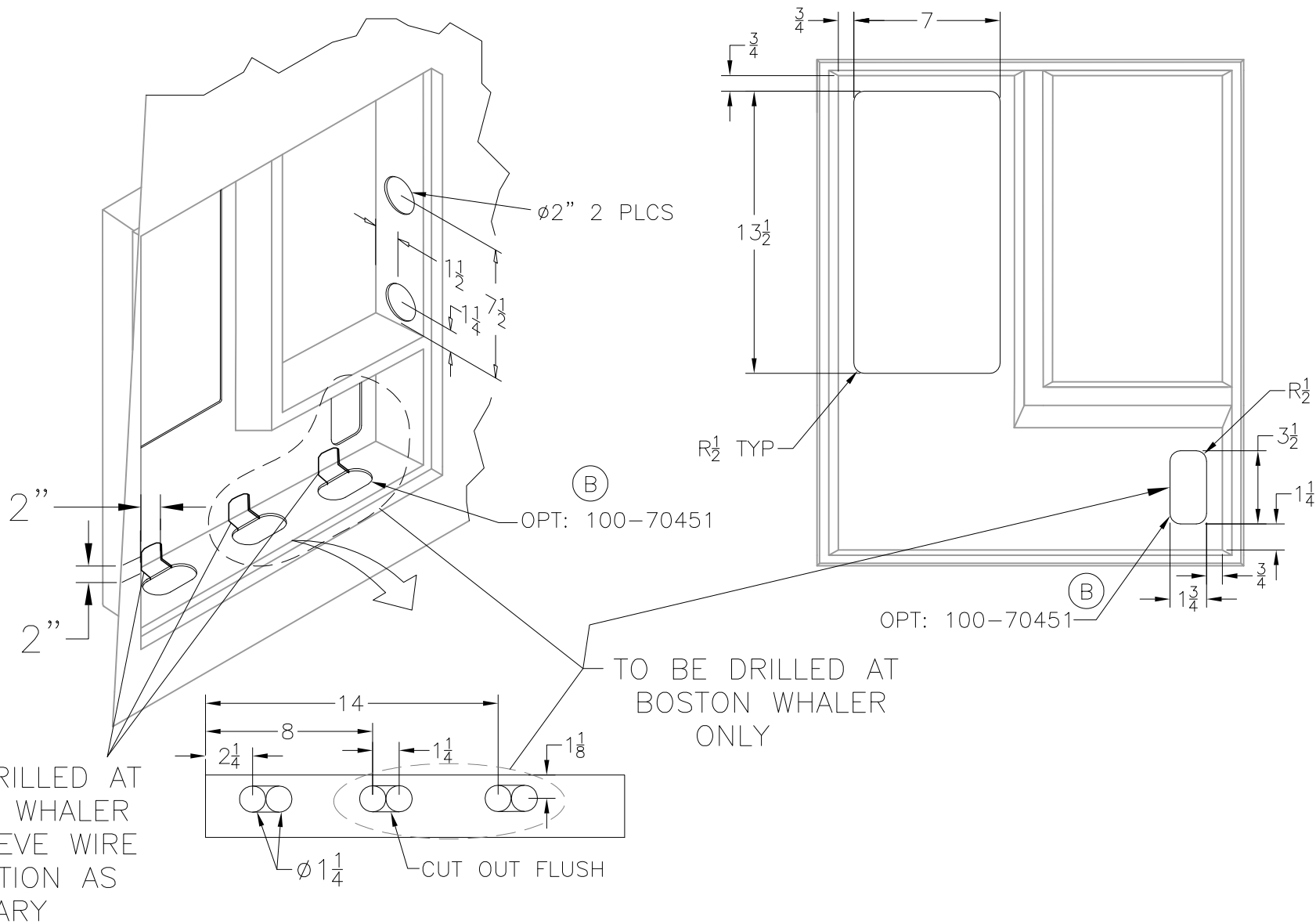
CHECKED: R. AVILA	DATE: 1/18/02	DRAWN: R CRAVEN	DATE: 12/06/01	SCALE: NONE	BOAT MODEL	MOLD NO.
APPD: K. RANIERI	DATE: 1/21/02	DWG. TITLE:			2700R07	
DESIGN: L. SCHOLZ	DATE: 1/21/02	CONSOLE AFT PANEL SUB-ASSEMBLY			INIT. REL. ECN NO:	DWG. NO:
INT. ENG: M. GATICA	DATE: 1/21/02				012624	09418
						SHT. NO.
						1 OF 3

THIS DOCUMENT IS THE PROPERTY OF BOSTON WHALER, INC. MFG. DEPT., EDGEWATER, FLORIDA. ALL RIGHTS ARE RESERVED. THIS DOCUMENT AND INFORMATION CONTAINED MUST NOT BE COPIED OR DISCLOSED TO OTHERS WITHOUT WRITTEN PERMISSION OF BOSTON WHALER, INC.

DWG. NO:  
09418

REV.  
L

CURRENT ECD  
06103709



(J)  
TO BE DRILLED AT  
BOSTON WHALER  
TO RELIEVE WIRE  
CONGESTION AS  
NECESSARY

TO BE DRILLED AT  
BOSTON WHALER  
ONLY



INTERPRET DIMENSIONS AND TOLERANCES PER ANSI Y 14.5  
UNLESS OTHERWISE SPECIFIED DIMENSIONS ARE IN INCHES.  
TOLERANCES: ANGLES = ± .5° .XXX = ± .010  
.X = ± .1 X = ± 1/16  
.XX = ± .03

DO NOT SCALE DRAWING

DRAWN: R CRAVEN DATE: 12/06/01 SCALE: NONE

DWG. TITLE:  
CONSOLE AFT PANEL SUB-ASSEMBLY

BOAT MODEL  
2700R07

MOLD NO.

INIT. REL. ECN NO:  
010624

DWG. NO:  
09418

SHT. NO.  
2 OF 3

THIS DOCUMENT IS THE PROPERTY OF BOSTON WHALER, INC. MFG. DEPT., EDGEWATER, FLORIDA. ALL RIGHTS ARE RESERVED. THIS DOCUMENT AND INFORMATION CONTAINED MUST NOT BE COPIED OR DISCLOSED TO OTHERS WITHOUT WRITTEN PERMISSION OF BOSTON WHALER, INC.

DWG. NO:  
**09418**

REV.  
**L**

CURRENT ECD  
**06103709**

©

Parts List

ITEM	270 QTY		240 QTY		U/M	DESCRIPTION	B.W.I.	NO.
	STD	OPT.	STD	OPT.				
(H) 1	1	-	-	-	EA.	PANEL, BW2700R-04 MAIN DC BRKR	1754098	
2	2	-	1	1	EA.	SWITCH, BATTERY SELECTOR W/O LOCK W/O DISC	0162693	
3	-	1	-	-	EA.	SWITCH, BATTERY ON/OFF W/O LOCK W/O DISC	0162701	
4	-	1	-	-	EA.	PANEL, BW2600R-01 SHORE PWR 120V	1452291	
5	1	-	1	-	EA.	BUSS BAR, 12-GANG 2SGL POST 5/16" STUD 250AMP	1138957	
6	1	-	1	-	EA.	FUSE BLOCK, 10-GNG BLADE-TYPE W/BLANK LABELS	1688102	
(D) 7	-	1	-	-	EA.	WINDLASS SOLENOID, LOFRANS CONTROL BOX 12V	0798447	
8	1	-	1	-	EA.	LIGHT, DOME INTERIOR 5.75" WHT SURF MNT	1131572	
9	-	1	-	-	EA.	BOX, ABS BW2700R-02 SHORE POWER	1689761	
10	6	-	6	-	EA.	SCREW, TAPPING #8A x 1" PTH SC	1008804	
11	8	4	4	4	EA.	SCREW, MACHINE #10-24 X 2" POH SC	1010479	
12	2	8	2	-	EA.	SCREW, TAPPING #6A X 1/2" PTH SC	1008796	
(D)(B) 13	2	2	2	-	EA.	SCREW, MACHINE #8-32 X 1.5" PTH SC	1010719	
(C)(B) 14	8	2			EA.	NUT, HEX NYLON LOCK #10-24 SC	1007772	
15	4	-	4	-	EA.	SCREW, TAPPING #8A X 3/4" POH SC	1213057	
(M)(H) 16	-	1	-	-	EA.	PANEL, BW2700R-04 MAIN DC BRKR W/O IGN SW	1754101	
(D)(C)(B) 17	10	2	6	4	EA.	NUT, HEX NYLON LOCK #8-32 SC	1260728	
(H)(C) 18	-	-	-	1	EA.	PANEL, BW2400R-04 MAIN DC BRKR DUAL ENG	1754105	
(H)(C) 19	-	-	-	1	EA.	PANEL, BW2400R-04 MAIN DC BRKR N/ IGN SW	1754108	
(H)(C) 20	-	-	1	-	EA.	PANEL, BW2400R-04 MAIN DC BRKR SGL ENG	1754103	
(D) 21	-	-	-	1	EA.	PANEL, BW-02 (25A) PORTA-POT W/OVRBD DISCHRG	1718975	
(D) 22	-	-	-	1	EA.	SWITCH, WASTE PUMP W/KEY SCREW TERMINALS	1444074	
(D) 23	-	-	-	4	EA.	SCREW, MACHINE #10-24 X 1" PPH SC	1213222	
(D) 24	-	-	-	4	EA.	NUT, HEX NYLON LOCK #10-24 SC	1007772	
(L)(E) 25	1	3	1	3	EA.	BOOT, PVC TERMINAL INSULATOR CAP RED	1689904	



INTERPRET DIMENSIONS AND TOLERANCES PER ANSI Y 14.5 UNLESS OTHERWISE SPECIFIED DIMENSIONS ARE IN INCHES.  
 TOLERANCES: ANGLES = ± .5° .XXX = ± .010  
 .X = ± .1 X = ± 1/16  
 .XX = ± .03  
 DO NOT SCALE DRAWING

DRAWN: R CRAVEN DATE: 12/06/01 SCALE: NONE  
 DWG. TITLE: CONSOLE AFT PANEL SUB-ASSEMBLY

BOAT MODEL: 2700R07 MOLD NO.:  
 INIT. REL. ECN NO: 010624 DWG. NO: 09418 SHT. NO. 3 OF 3

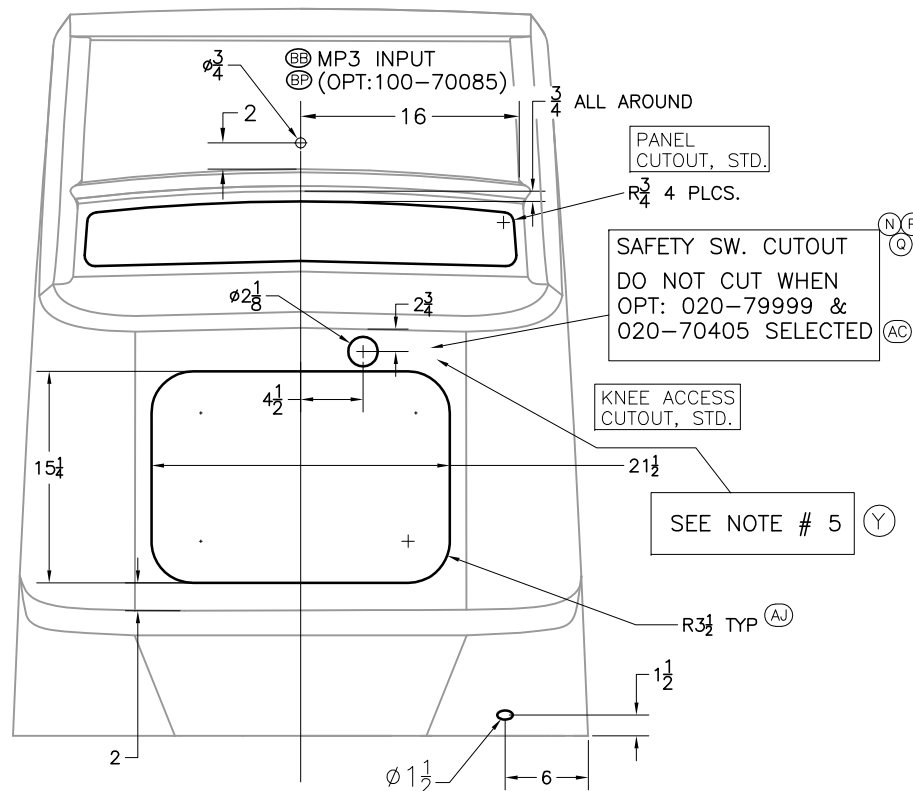
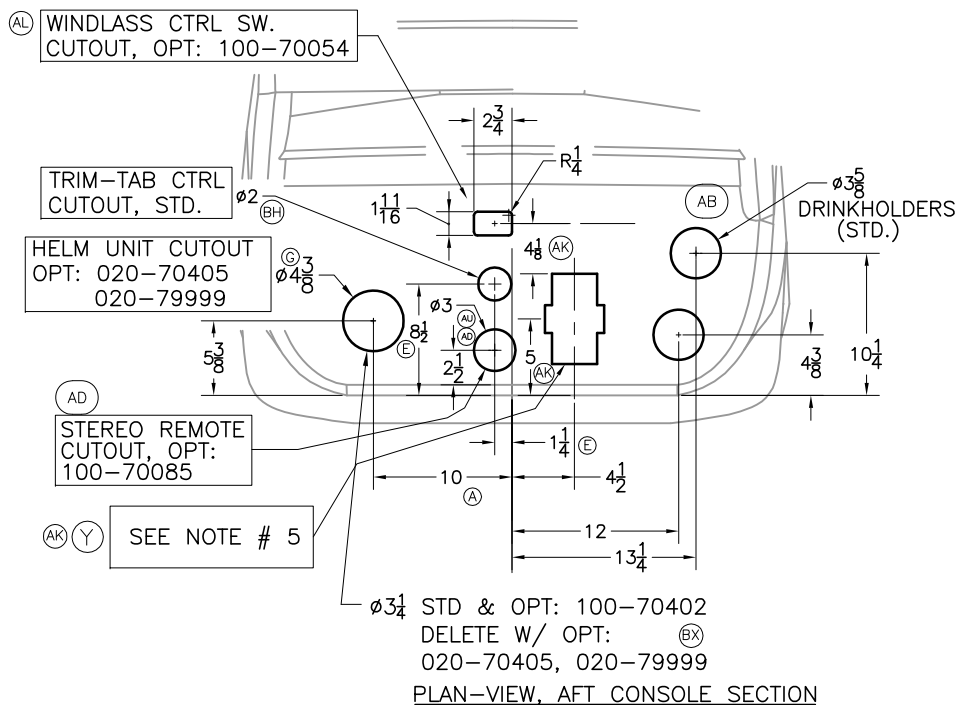


THIS DOCUMENT IS THE PROPERTY OF BOSTON WHALER, INC. MFG. DEPT., EDGEWATER, FLORIDA. ALL RIGHTS ARE RESERVED. THIS DOCUMENT AND INFORMATION CONTAINED MUST NOT BE COPIED OR DISCLOSED TO OTHERS WITHOUT WRITTEN PERMISSION OF BOSTON WHALER, INC.

DWG. NO: 09201  
 REV. BY: 07054395

1. DIMENSIONS ARE GIVEN ON PAINTED LAMINATE SURFACE.
2. SECURE ALL WIRING/HOSES EVERY 14" (MAX.).
3. REFER TO WIRING DIAGRAM DWG. 07-401 BASE BOAT
4. REFER TO DWG. #01-251 FOR HOSE CUT LENGTHS
5. DRILL WHEN OPT 020-79999 W/ 100-70017 OR 020-70405 W/ 100-70017 (DUAL) ARE ORDERED (AL)

REVISIONS					
REV.	DESCR.	BY	DATE	APPVD.	ECN NO.
BT	MYE'08: PG 7 UPDATE VIEW; PG 11 UPDATE JUNCTION BOX LOC; PG 13 ITEM #91 WAS 1791120, #92 WAS 1807705, OP QTY #112 WAS 1	JAH	04/16/07	AVM	07044157
BU	MYE'08: DELETED OPTION 100-70541 IT BECAME STANDARD PG 6 ITEM #111 CHANGED TO STANDARD, #18 DELETED	MBH	04/16/07	RA	07044160
BV	MYE'08: PG 13 ITEM #124 WAS 1797212	RJW	04/17/07	RA	07044158
BW	MYE'08: ADDED SPOTLIGHT REMOTE VIEW SHIT 6. ADDED ITEM 127 W/DESCRIPTION SHIT 13	SDT	05/11/07	RA	07044270
BX	DELETED OPTION 020-70250, MADE 020-70272 STANDARD	RJW	06/01/07	RA	07054359
BY	DELETE ALL (EU) VERADO ENGINE OPT #'S, ADD VERADO (ED) OPT #'S	SLJ	06/25/07	RA	07064395



INTERPRET DIMENSIONS AND TOLERANCES PER ANSI Y 14.5 UNLESS OTHERWISE SPECIFIED DIMENSIONS ARE IN INCHES.  
 TOLERANCES: ANGLES = ± .5° .XXX = ± .010  
 .X = ± .1 X = ± 1/16  
 .XX = ± .03 X = ± 1/16  
 DO NOT SCALE DRAWING



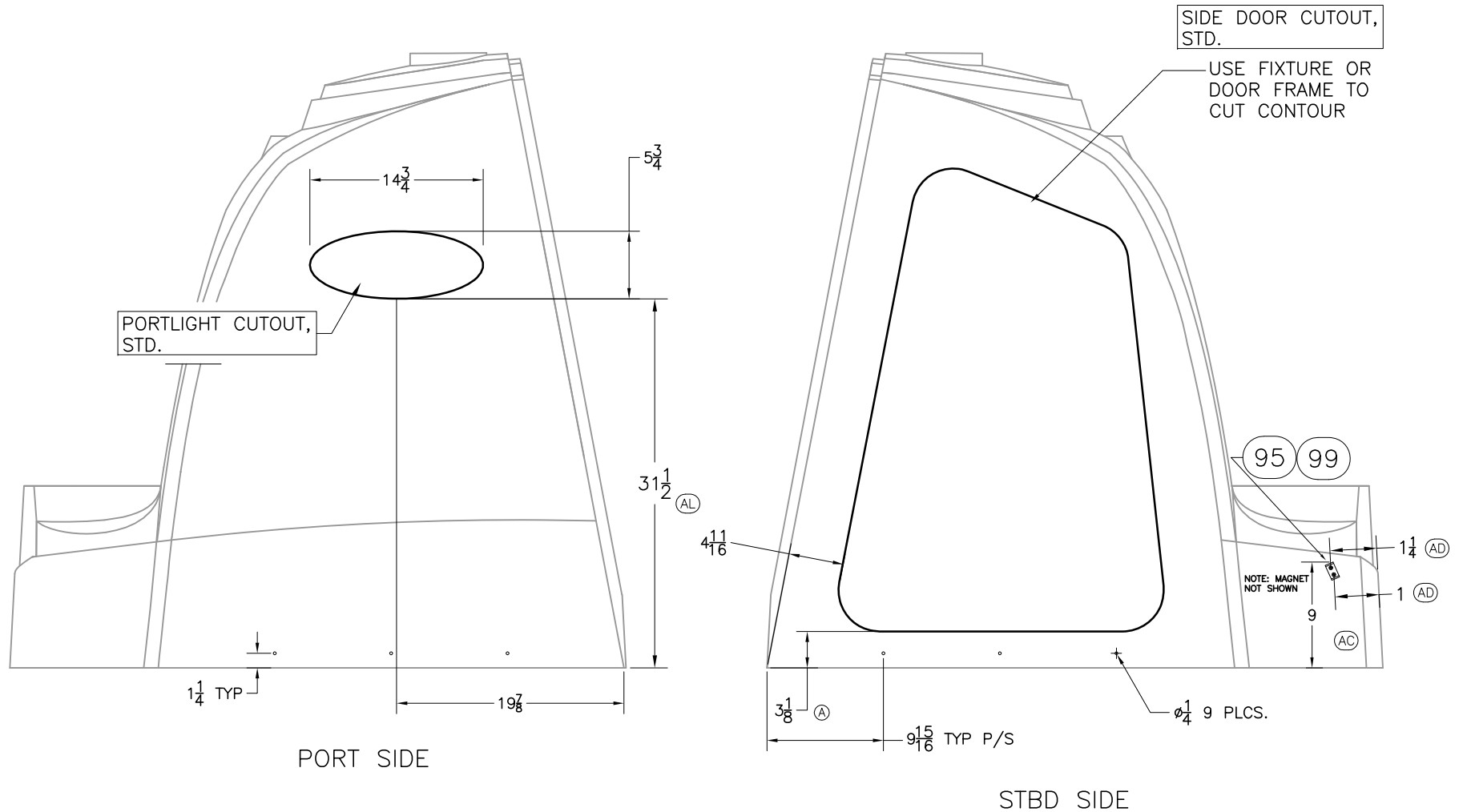
CHECKED: R. DURHAM	DATE: 12/04/01	DRAWN: R. CRAVEN	DATE: 11/30/01	SCALE: NONE	BOAT MODEL	MOLD NO.
APPD: K. RANIERI	DATE: 12/04/01	DWG. TITLE:			2700R	
DESIGN: L. SCHOLZ	DATE: 12/06/01	CONSOLE CUTOUTS & ASSY.			INIT. REL. ECN NO:	DWG. NO:
INT. ENG: M. GATICA	DATE: 01/17/02				010624	09201
					SHT. NO.	1 OF 13

THIS DOCUMENT IS THE PROPERTY OF BOSTON WHALER, INC. MFG. DEPT., EDGEWATER, FLORIDA. ALL RIGHTS ARE RESERVED. THIS DOCUMENT AND INFORMATION CONTAINED MUST NOT BE COPIED OR DISCLOSED TO OTHERS WITHOUT WRITTEN PERMISSION OF BOSTON WHALER, INC.

DWG. NO:  
09201

REV.  
BY

CURRENT ECD  
07054395



PORT SIDE

STBD SIDE



INTERPRET DIMENSIONS AND TOLERANCES PER ANSI Y 14.5 UNLESS OTHERWISE SPECIFIED DIMENSIONS ARE IN INCHES.  
TOLERANCES: ANGLES = ± .5° .XXX = ± .010  
.X = ± .1 .X = ± 1/16  
.XX = ± .03  
DO NOT SCALE DRAWING

DRAWN: R.CRAVEN

DATE: 11/30/01

SCALE: NONE

BOAT MODEL

MOLD NO.

2700R

DWG. TITLE:

CONSOLE CUTOUTS & ASSY.

INIT. REL. ECN NO:

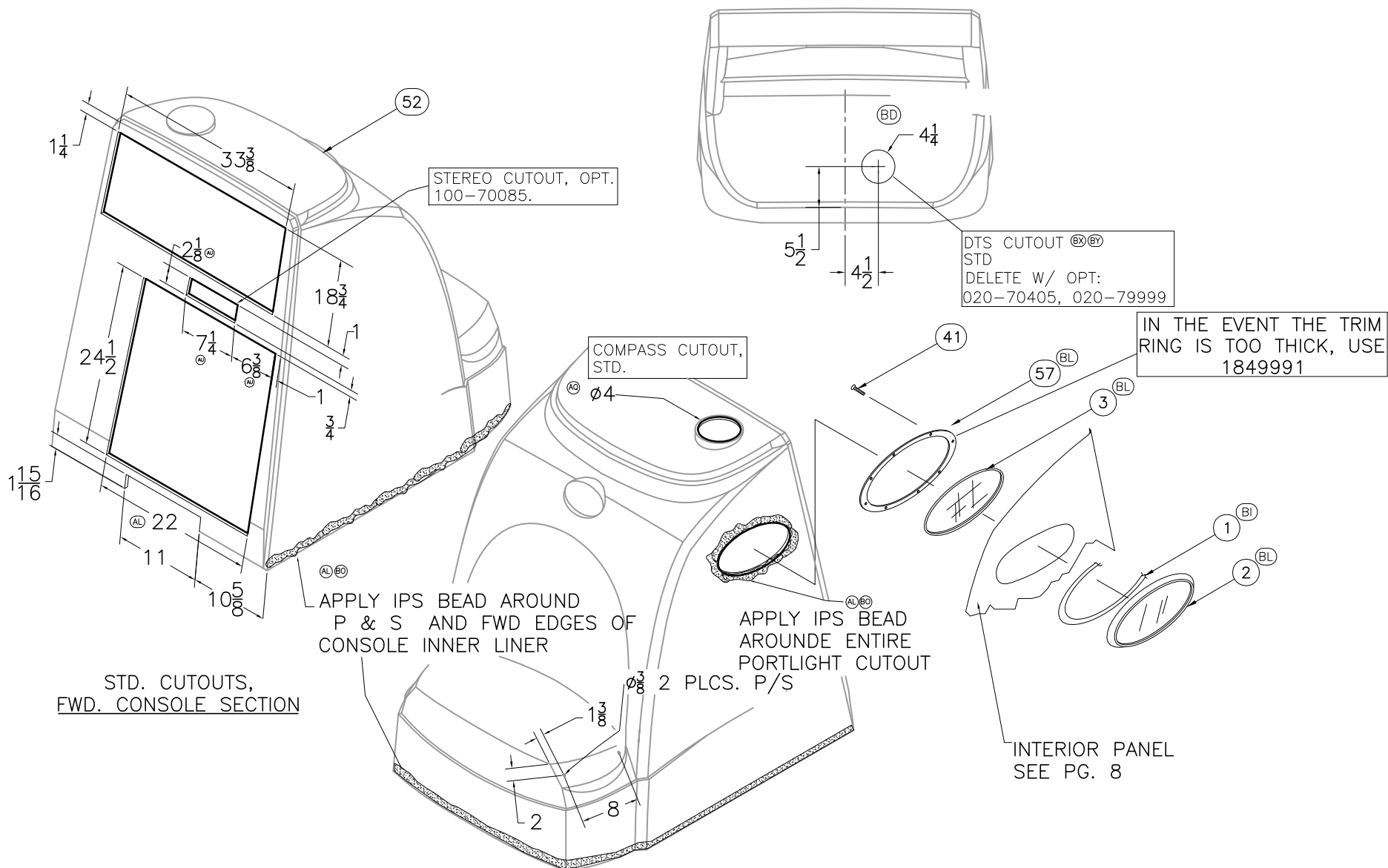
DWG. NO:

SHT. NO.

010624

09201

2 OF 13



THIS DOCUMENT IS THE PROPERTY OF BOSTON WHALER, INC. MFG. DEPT., EDGEWATER, FLORIDA. ALL RIGHTS ARE RESERVED. THIS DOCUMENT AND INFORMATION CONTAINED MUST NOT BE COPIED OR DISCLOSED TO OTHERS WITHOUT WRITTEN PERMISSION OF BOSTON WHALER, INC.

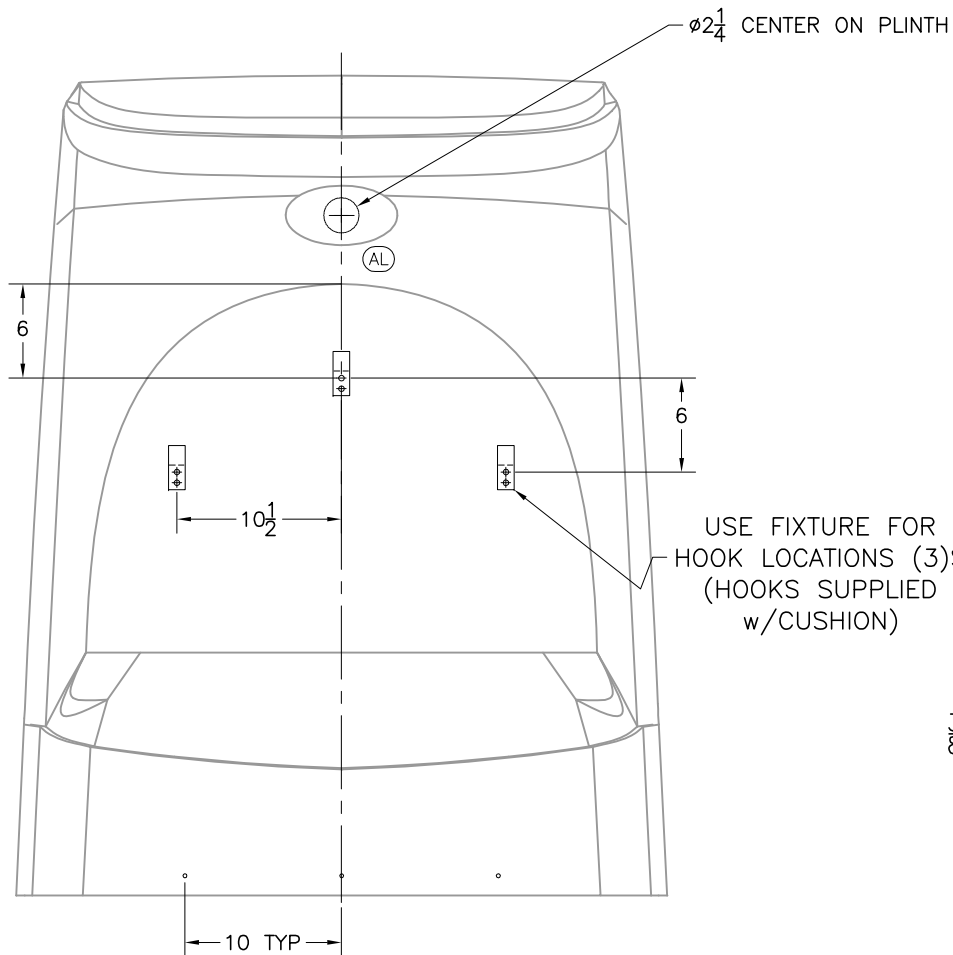
DWG. NO:  
09201

REV.  
BY

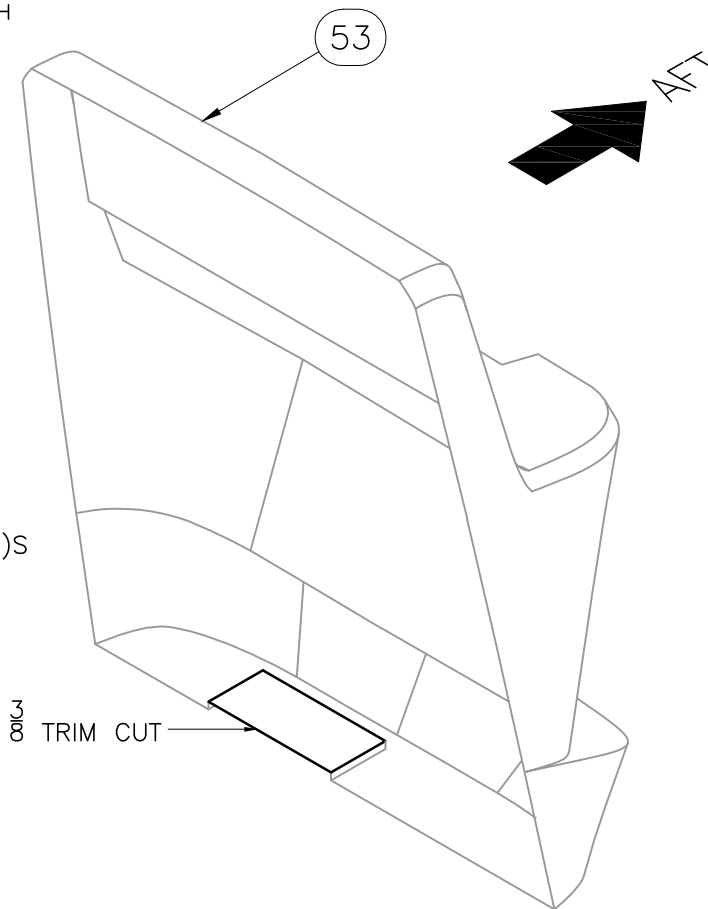
CURRENT ECD  
07054395

HORN CUTOUT,  
DO NOT CUT w/OPTS:  
100-70519, 100-70521,  
100-75506, 100-75508

(AC)



FWD CONSOLE SECTION, LKG AFT.



AFT CONSOLE SECTIN, LKG STBD/AFT



INTERPRET DIMENSIONS AND TOLERANCES PER ANSI Y 14.5 UNLESS OTHERWISE SPECIFIED DIMENSIONS ARE IN INCHES.  
TOLERANCES: ANGLES =  $\pm .5^\circ$  .XXX =  $\pm .010$   
.X =  $\pm .1$  .XX =  $\pm .03$  X =  $\pm 1/16$   
DO NOT SCALE DRAWING

DRAWN: R.CRAVEN DATE: 11/30/01 SCALE: NONE

DWG. TITLE:  
CONSOLE CUTOUTS & ASSY.

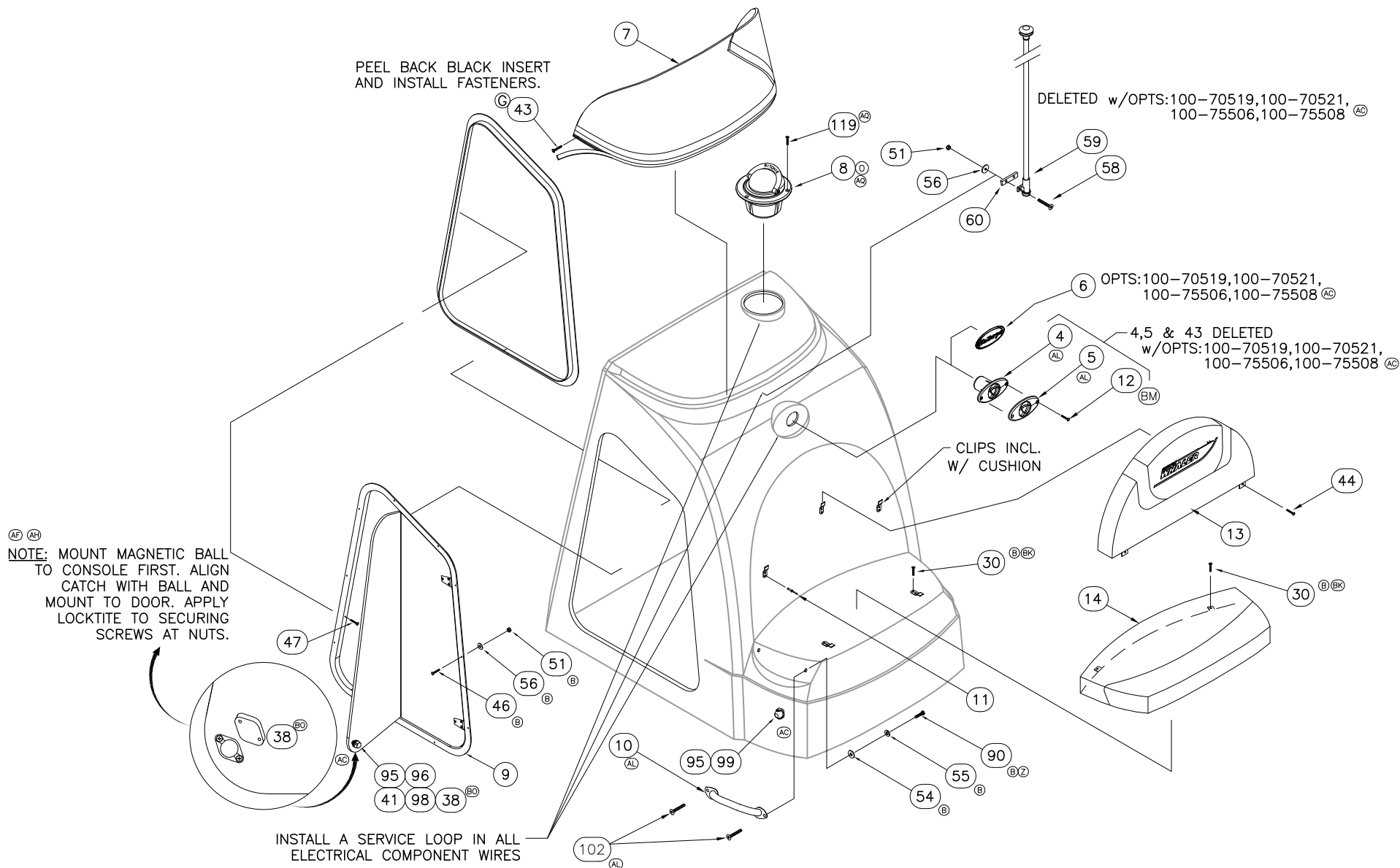
BOAT MODEL  
2700R

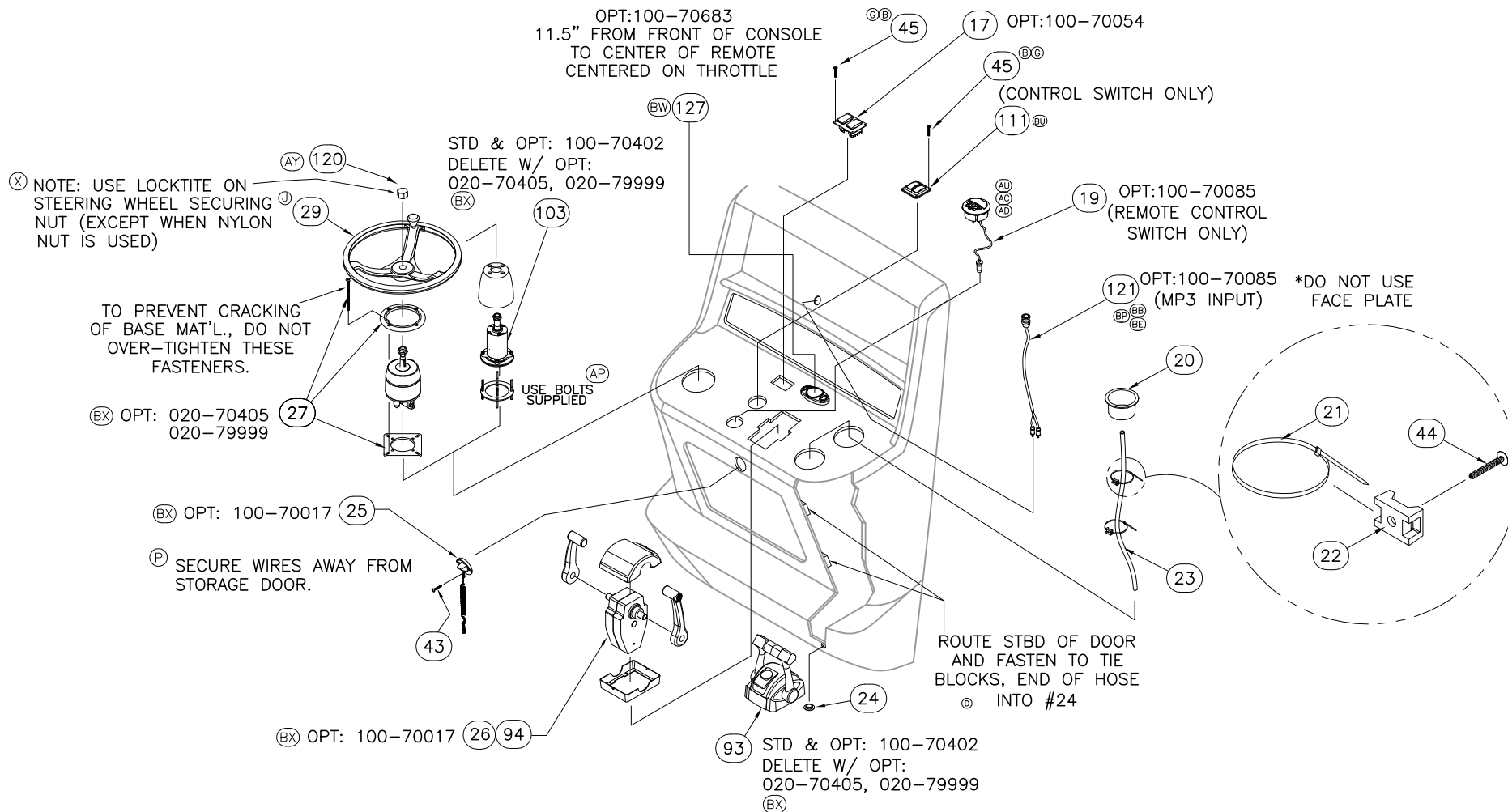
MOLD NO.

INIT. REL. ECN NO:  
010624

DWG. NO:  
09201

SHT. NO.  
4 OF 13



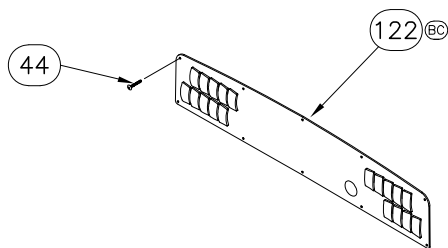


THIS DOCUMENT IS THE PROPERTY OF BOSTON WHALER, INC. MFG. DEPT., EDGEWATER, FLORIDA. ALL RIGHTS ARE RESERVED. THIS DOCUMENT AND INFORMATION CONTAINED MUST NOT BE COPIED OR DISCLOSED TO OTHERS WITHOUT WRITTEN PERMISSION OF BOSTON WHALER, INC.

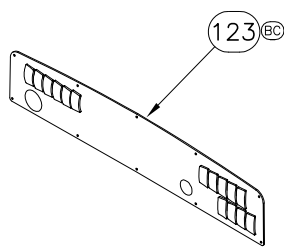
DWG. NO:  
09201

REV.  
BY

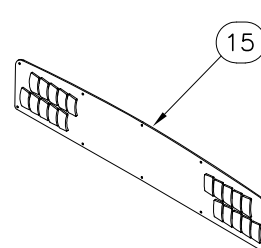
CURRENT ECD  
07054395



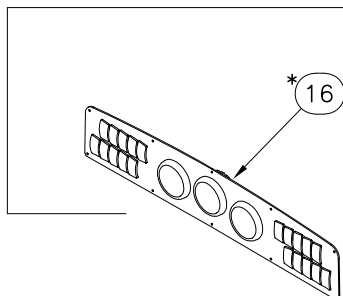
Ⓞ OPT: 700-00038, 700-00046



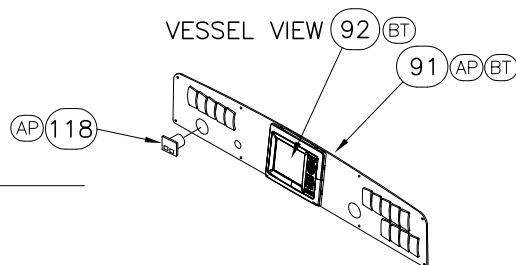
Ⓞ OPT: 700-00034, 700-00035  
OPT: 700-00036, 700-00037  
OPT: 700-00039, 700-00040  
OPT: 700-00041, 700-00042  
OPT: 700-00043, 700-00045  
OPT: 700-00047



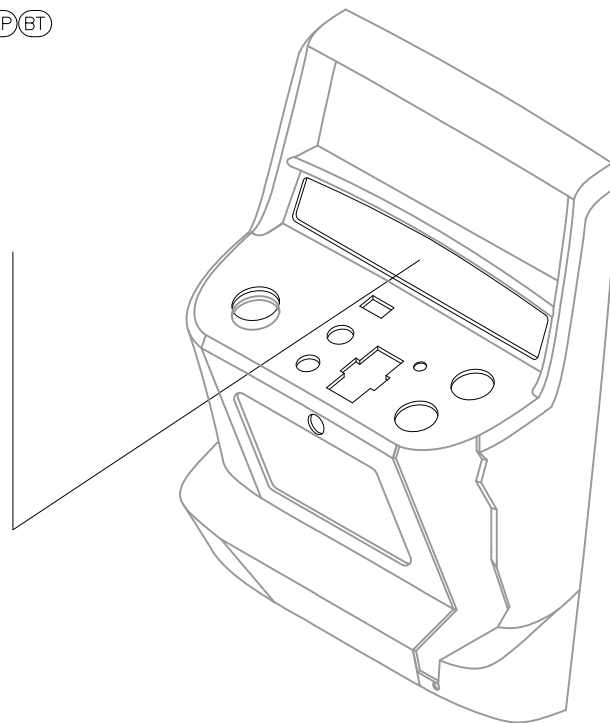
Ⓝ OPT: 020-79999,  
020-70405 &  
100-70021



Ⓝ OPT: 100-70017



Ⓝ STD & OPT: 100-70402  
DELETE W/ OPT:  
020-70405, 020-79999



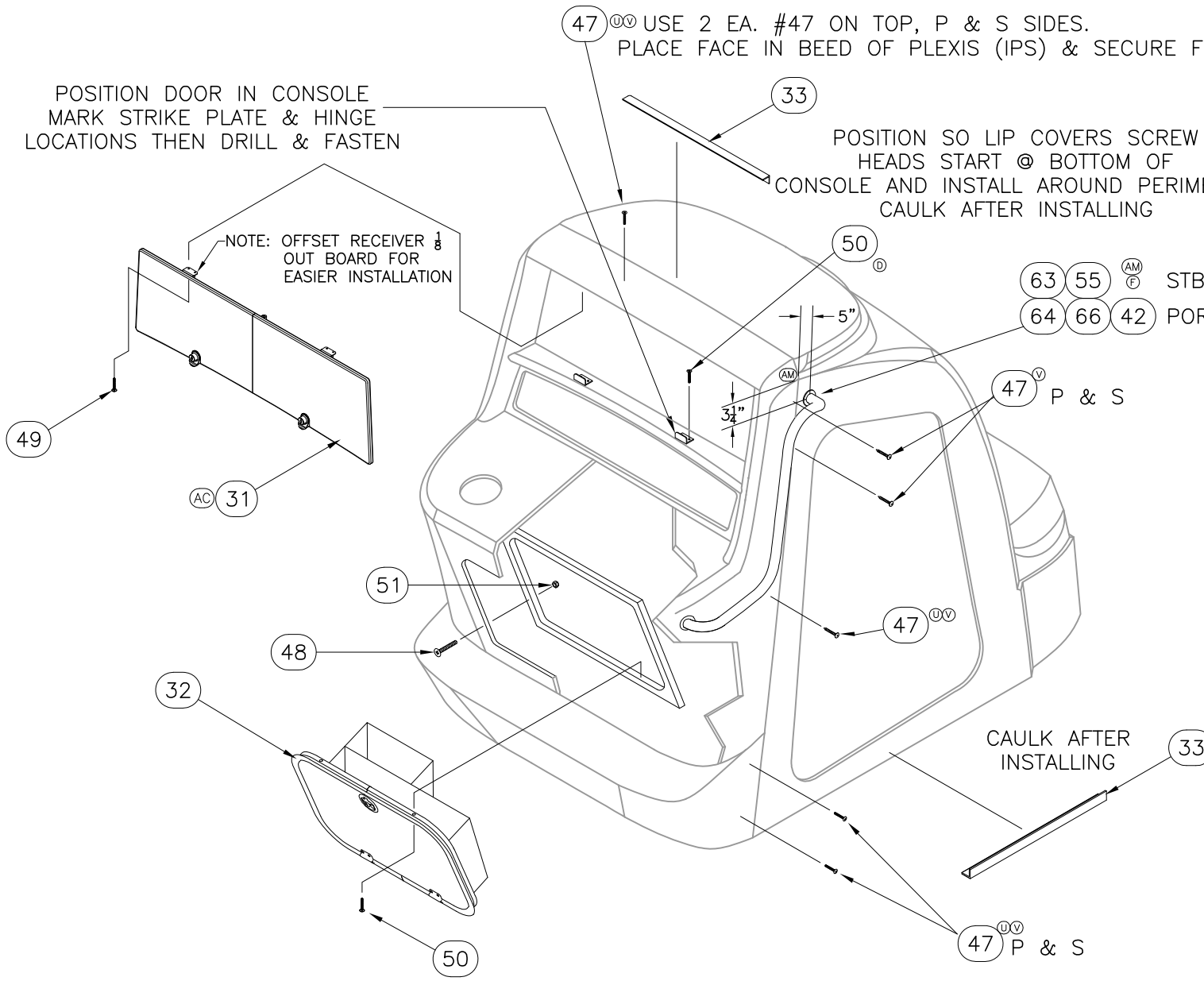
POSITION DOOR IN CONSOLE  
MARK STRIKE PLATE & HINGE  
LOCATIONS THEN DRILL & FASTEN

NOTE: OFFSET RECEIVER  $\frac{1}{8}$   
OUT BOARD FOR  
EASIER INSTALLATION

47<sup>UV</sup> USE 2 EA. #47 ON TOP, P & S SIDES.  
PLACE FACE IN BEED OF PLEXIS (IPS) & SECURE FLUSH.

POSITION SO LIP COVERS SCREW  
HEADS START @ BOTTOM OF  
CONSOLE AND INSTALL AROUND PERIMETER.  
CAULK AFTER INSTALLING

DELETE W/ OPTS:  
100-70519  
100-70521<sup>AC</sup>  
100-75506  
100-75508



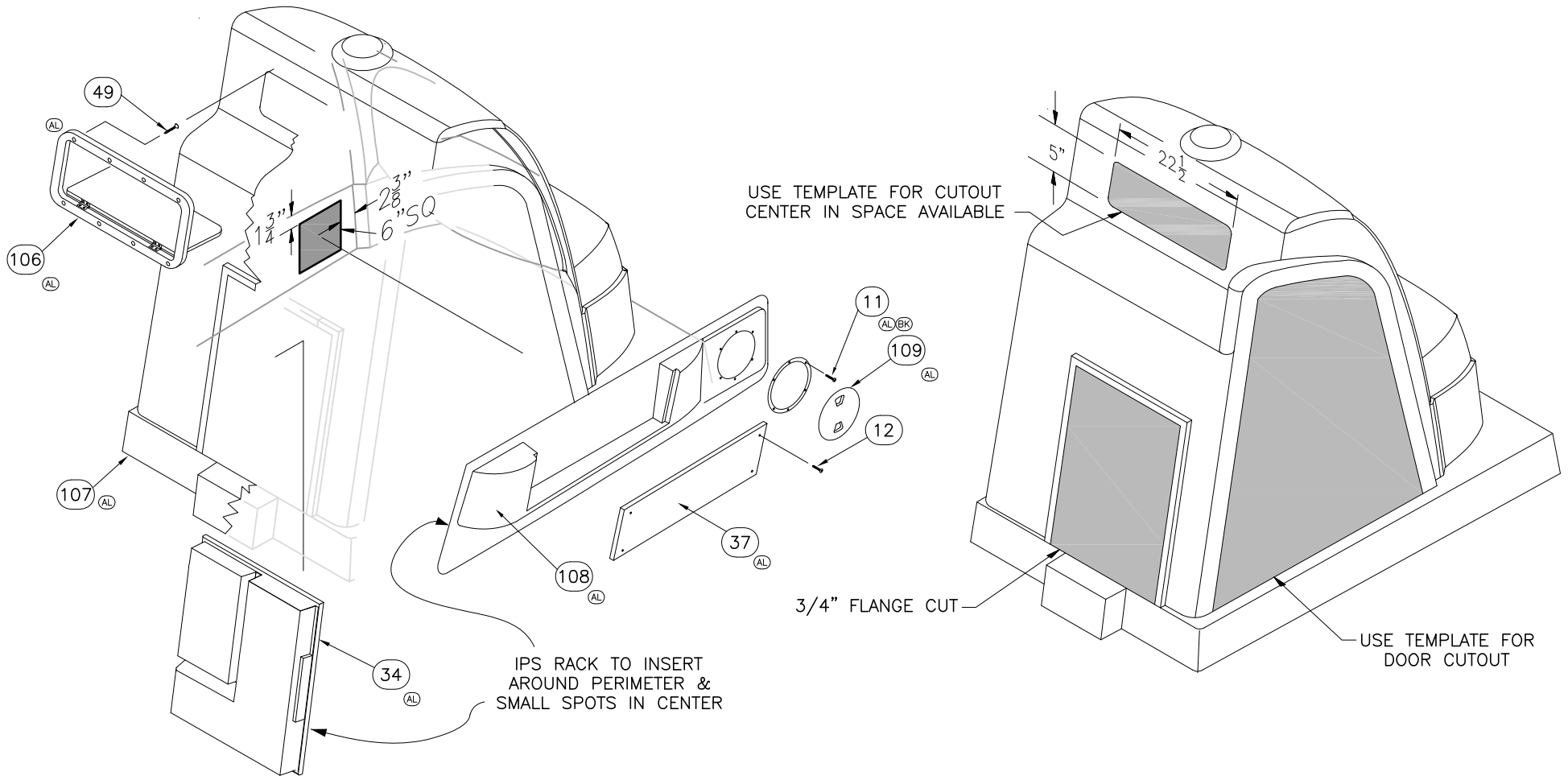


THIS DOCUMENT IS THE PROPERTY OF BOSTON WHALER, INC. MFG. DEPT., EDGEWATER, FLORIDA. ALL RIGHTS ARE RESERVED. THIS DOCUMENT AND INFORMATION CONTAINED MUST NOT BE COPIED OR DISCLOSED TO OTHERS WITHOUT WRITTEN PERMISSION OF BOSTON WHALER, INC.

DWG. NO:  
09201

REV.  
BY

CURRENT ECD  
07054395



INTERPRET DIMENSIONS AND TOLERANCES PER ANSI Y 14.5 UNLESS OTHERWISE SPECIFIED DIMENSIONS ARE IN INCHES.  
 TOLERANCES: ANGLES = ± .5° .XXX = ± .010  
 .X = ± .1 X = ± 1/16  
 .XX = ± .03  
 DO NOT SCALE DRAWING

DRAWN: R.CRAVEN DATE: 11/30/01 SCALE: NONE

DWG. TITLE:  
CONSOLE CUTOUTS & ASSY.

BOAT MODEL  
2700R

MOLD NO.

INIT. REL. ECN NO:  
010624

DWG. NO:  
09201

SHT. NO.

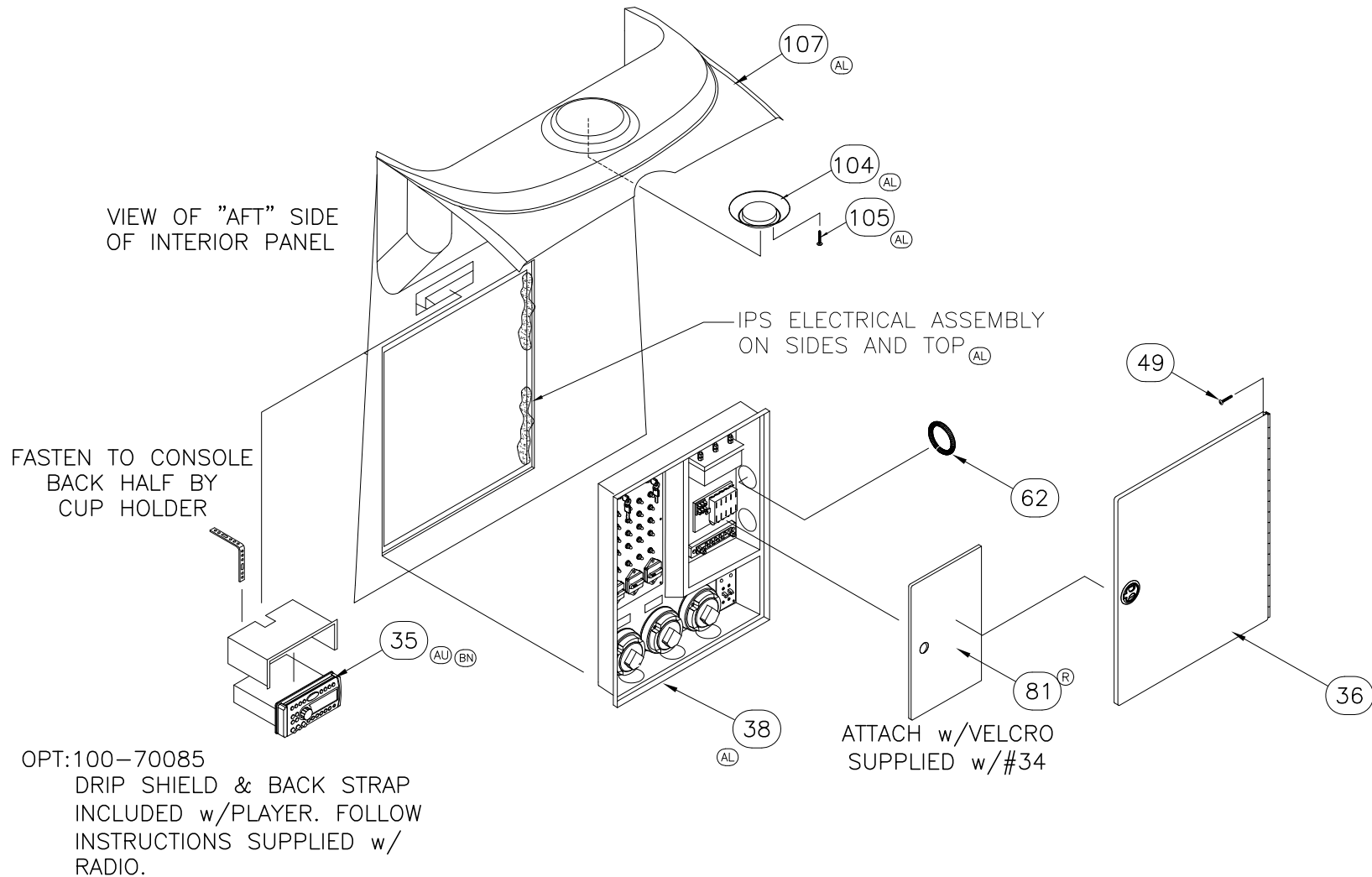
9 OF 13

THIS DOCUMENT IS THE PROPERTY OF BOSTON WHALER, INC. MFG. DEPT., EDGEWATER, FLORIDA. ALL RIGHTS ARE RESERVED. THIS DOCUMENT AND INFORMATION CONTAINED MUST NOT BE COPIED OR DISCLOSED TO OTHERS WITHOUT WRITTEN PERMISSION OF BOSTON WHALER, INC.

DWG. NO:  
09201

REV.  
BY

CURRENT ECD  
07054395



THIS DOCUMENT IS THE PROPERTY OF BOSTON WHALER, INC. MFG. DEPT., EDGEWATER, FLORIDA. ALL RIGHTS ARE RESERVED. THIS DOCUMENT AND INFORMATION CONTAINED MUST NOT BE COPIED OR DISCLOSED TO OTHERS WITHOUT WRITTEN PERMISSION OF BOSTON WHALER, INC.

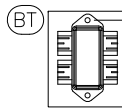
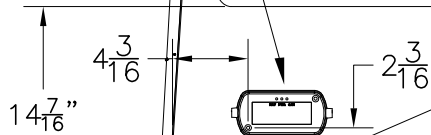
DWG. NO:  
09201

REV.  
BY

CURRENT ECD  
07054395

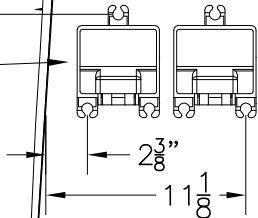
OPT: 100-75220

(BC) 124  
(BC) 113



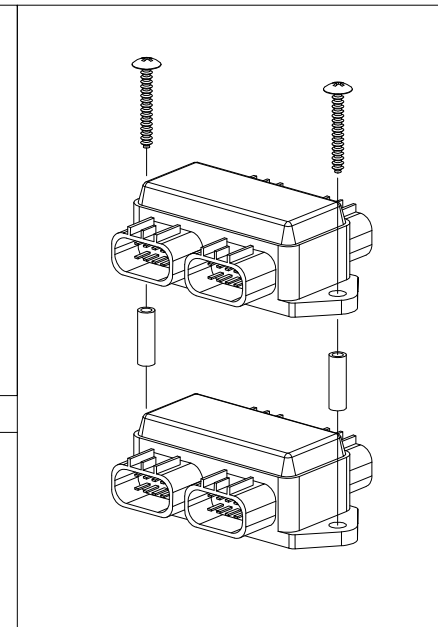
CENTERED UNDER #124

(AX) 114  
115  
116



STD & OPT:  
100-70402  
DELETE W/ OPT:  
020-70405  
020-79999 (BA)

(BT) STD. &  
W/OPT.  
100-70017,  
100-70402  
DELETE  
W/OPT:  
020-70405  
020-79999



112 (BC) (BT)  
125  
126

FWD CONSOLE AFT FACE,  
JUNCTION BOX LOCATIONS



INTERPRET DIMENSIONS AND TOLERANCES PER ANSI Y 14.5 UNLESS OTHERWISE SPECIFIED DIMENSIONS ARE IN INCHES.  
TOLERANCES: ANGLES = ± .5° .XXX = ± .010  
.X = ± .1 .XX = ± .03 X = ± 1/16  
DO NOT SCALE DRAWING

DRAWN: R.CRAVEN DATE: 11/30/01 SCALE: NONE

DWG. TITLE:  
CONSOLE CUTOUTS & ASSY.

BOAT MODEL  
2700R

MOLD NO.

INIT. REL. ECN NO:  
010624

DWG. NO:  
09201

SHT. NO.

11 OF 13

THIS DOCUMENT IS THE PROPERTY OF BOSTON WHALER, INC. MFG. DEPT.  
EDGEWATER, FLORIDA. ALL RIGHTS ARE RESERVED. THIS DOCUMENT AND  
INFORMATION CONTAINED MUST NOT BE COPIED OR DISCLOSED TO OTHERS  
WITHOUT WRITTEN PERMISSION OF BOSTON WHALER, INC.

DWG. NO:  
**09201**

REV.  
**BY**

CURRENT ECD  
**07054395**

# PARTS LIST

ITEM	STD QTY	OPT QTY	U/M	DESCRIPTION	B.W.I. NO.
(AL) 1	3.5	-	FT.	PORTLIGHT, GASKET 1/8" CLEAR ACRY TAPE	1837658
(BL) (C) 2	1	-	EA.	PORTLIGHT, ELLIPSE 6"X 16" SS N/TRIM RING	1849989
(BL) 3	1	-	EA.	SCREEN, PORTLIGHT ELLIPSE 6"X 16"SS	1849987
(AL) 4	1	-	EA.	HORN, SGL BLK NO CONN SERIES 84400-1	1780938
(AL) 5	1	-	EA.	HORN, GRILL SGL SS OVERLAY SERIES 84400-1	1781252
(AC) (H) 6	-	1	EA.	DECAL, BW-04 OUTRAGE 6.25" BLK/CHR (DRIPMOLD)	1752952
(AC) (L) 7	1	-	EA.	W/S, BW2700R-04	1753476
(AQ) (O) 8	1	-	EA.	COMPASS, FLUSH MT 3.75" BLK RAISED	1787335
9	1	-	EA.	DOOR, ACRYL BW2700R-02 CNSL BIFOLD	1686240
(AL) 10	2	-	EA.	RAIL, GRAB BW-05 8"X 1"SS	1774410
(BK) (AL) (B) 11	6	-	EA.	SCREW, TAPPING #8A X 5/8" PPH SC	1010677
(BM) (H) (B) 12	6	-	EA.	SCREW, TAPPING #8A x 1" PTH SC	1008804
13	1	-	EA.	CUSH, BW2700R-02 CNSL B/R	1687499
14	1	-	EA.	CUSH, BW2700R-02 CNSL BASE	1687497
(AL) (AC) 15	-	1	EA.	PANEL, BLANK:BW2700R-05 W/SWITCHES	1772753
(BX) (AL) (AC) 16	-	1	EA.	PANEL, BW2700R-05 MERC DUAL SC-1000 W/SW	1772749
(AL) 17	-	1	EA.	WINDLASS, RP/CHN MARLINI LO-PRO 12V700W,REF DWG. 06-202	1727011
(BU) 18	1	-	EA.	TRIM TAB, ASSY 10X12 BW2700R-02 (REF. DWG. 06-151)	1685923
(AU) (AC) (H) 19	-	1	EA.	STEREO, REMOTE CNTRL W/DIG DSPLY FOR CMD4	1803894
(L) 20	2	-	EA.	DRINKHOLDR, PLAS W/DRAIN DEEP XLG SZ BLK	1727419
21	2	-	EA.	TIE, CABLE 6" LG NYLON BLK	0999672
22	2	-	EA.	TIE, CLIP BLK	1031764
23	0	-	FT.	HOSE, PVC CLEAR 3/8"	0124347
24	1	-	EA.	BUSHING, PLAS SNAP BLK BWCP-97	1041375
(H) 25	1	-	EA.	ACC PART, MERC SWITCH (LANYARD STOP DUAL)	1477983
(BX) (AC) (H) 26	-	1	EA.	CONTROL, CNSL MNT DUAL N/HARNESS GEN II	1752912
(BX) 27	-	1	EA.	STEERING, MOUNT KIT SEA STAR	1686742
(BX) 28	-	1	EA.	STEERING, HELM PUMP SEA STAR I	0127043
(AC) (E) 29	1	-	EA.	STEERING WHEEL, 15.5" DIA SS 25DEG W/KNOB	1748025
(BK) (J) 30	12	-	EA.	SCREW, TAPPING #8A X 1/2" PTH SC	1008812
(BC) 31	1	-	EA.	COVER, ACRYL BW-07 ELECT CNSL	1848653
(AJ) (AG) (E) 32	1	-	EA.	BIN, HDPE BW2700R-02 STRG CNSL	1689269
33	24	-	FT.	MOLDING, VINYL "L" OFF-WHT W/ADH	1020924
(AL) 34	1	-	EA.	PANEL, PLAS BW240/2700R-05 CNSL AFT	1770961
(BS) (AU) (AC) (H) 35	-	1	EA.	STEREO, AM/FM CD/CHNGR/SIR/XM SAT CMD5	1894055
36	1	-	EA.	DOOR, HDPE BW2700R-02 ACCESS ELEC/BATT SW	1689604
(AL) (E) 37	1	-	EA.	COVER, HDPE BW240/2700R-05 STRG CNSL INT	1774407
(AL) 38	1	-	EA.	PANEL, PLAS BW2700R-02 CNSL PORT	1689424
(AL) 39	1	-	EA.	PANEL, PLAS BW2700R-02 CNSL STBD	1689425
(AL) 40	1	-	EA.	PANEL, PLAS BW2700R-02 CNSL FWD	1689422
(BO) 41	10	-	EA.	SCREW, MACHINE #8-32 X 1" POH SC	1008481
(AM) (Z) (H) (B) 42	4	-	EA.	SCREW, CAP #5/16-18 X 1" HEX HD SC	1007707
(BM) (AQ) (H) (G) (B) 43	9	-	EA.	SCREW, TAPPING #8A x 1" POH SC	1213065
(G) (B) 44	16	-	EA.	SCREW, TAPPING #8A x 5/8" PTH SC	1010925
(G) (B) 45	8	-	EA.	SCREW, TAPPING #6A X 1/2" PTH SC	1008796
(B) 46	14	-	EA.	SCREW, MACHINE #8-32 X 1" PTH SC	1008713
(V) (U) (T) 47	6	-	EA.	SCREW, TAPPING #8A X 1" PFH SC	1229574
48	8	-	EA.	SCREW, MACHINE #8-32 X 1" PFH SC	1010230
(AL) 49	14	-	EA.	SCREW, TAPPING #8A X 3/4" PFH SC	1008408
(D) 50	12	-	EA.	SCREW, TAPPING #6A X 1" PFH SC	1010354
(C) (B) 51	24	-	EA.	NUT, LOCK 8-32 SC	1009927
52	1	-	EA.	FIBERGLASS PART, CONSOLE FWD SECTION	22-K068-00
53	1	-	EA.	FIBERGLASS PART, CONSOLE AFT SECTION	22-K069-00
54	4	-	EA.	WASHER, FLAT #5/16" SC	1260785
(H) (B) 55	10	-	EA.	WASHER, LOCK/SPLIT 5/16" SC	1260611
(C) (B) 56	14	-	EA.	WASHER, FLAT #8 SC	1326297
(BL) (C) 57	1	-	EA.	TRIM RING, PORTLIGHT 6"X 16" THICK SS	1849992
(C) 58	2	-	EA.	SCREW, MACHINE #8-32 x 1" POH	1008481
(C) 59	1	-	EA.	LIGHT, NAV A/R 48" WHT w/ BASE	1686689
(E) (C) 60	1	-	EA.	SHIM, HDPE STERN LIGHT 2700R-02	1690091
(AL) (AI) (G) (C) 61	-	-	EA.	SCREW, TAPPING #10A x 2" PTH SC	1008754
(D) 62	1	-	FT.	HOSE, CONDUIT/SPLIT 1/4" FLAME RETARDANT	1501808
(AM) (F) 63	1	-	EA.	RAIL, GRAB BW240/2700R-05 CNSL W/S STB	1785547
(AM) (F) 64	1	-	EA.	RAIL, GRAB BW240/2700R-05 CNSL W/S PRT	1785548
(H) (F) 65	6	-	EA.	WASHER, LOCK/SPLIT 5/16" SC	1260611

MOLD NO.

BOAT MODEL  
**2700R**

SCALE: NONE

DATE: 11/30/01

DRAWN: R. CRAVEN  
DWG. TITLE:  
**CONSOLE CUTOUTS & ASSY.**

INTERPRET DIMENSIONS AND TOLERANCES PER ANSI Y 14.5  
UNLESS OTHERWISE SPECIFIED DIMENSIONS ARE IN INCHES.  
TOLERANCES: ANGLES = ± .5° .XXX = ± .010  
.X = ± .1 .XX = ± .03  
X = ± 1/16  
DO NOT SCALE DRAWING



DWG. NO:  
**09201**

INIT. REL. ECD NO:  
**010624**

CONSOLE CUTOUTS & ASSY.

DO NOT SCALE DRAWING

SHT. NO.  
**12 of 13**

THIS DOCUMENT IS THE PROPERTY OF BOSTON WHALER, INC. MFG. DEPT., EDgewater, Florida. ALL RIGHTS ARE RESERVED. THIS DOCUMENT AND INFORMATION CONTAINED MUST NOT BE COPIED OR DISCLOSED TO OTHERS WITHOUT WRITTEN PERMISSION OF BOSTON WHALER, INC.

DWG. NO:  
**09201**

REV.  
**BY**

CURRENT ECO  
**07054395**

# PARTS LIST

ITEM	2700R (AL)		U/M	DESCRIPTION	B.W.I. NO.
	STD QTY	OPT QTY			
(H)(F) 66	6	-	EA.	WASHER, FENDER 5/16"X 1.5" SC	1326180
(H)(F) 67	6	-	EA.	SCREW, CAP #5/16-18 X 1" HEX HD SC	1007707
(AL)(AC)(H) 68	-	-	EA.	PANEL, BLANK:BW2400R-04 W/SW	1754107
(AL)(AC)(H) 69	-	-	EA.	PANEL, BW2400R-04 MERC DUAL SC-1000	1754104
(AL)(AC)(H) 70	-	-	EA.	PANEL, BW2400R-04 MERC SGL SC-1000	1754102
(AL)(H) 71	-	-	EA.	ACC PART, MERC SWITCH (SAFETY ASSY)	0882605
(AL)(AC)(H) 72	-	-	EA.	CONTROL, CNSL MNT SGL N/HARNESS GEN II	1752911
(I) 73	1	-	EA.	SCREW, MACHINE #1/4-20 X 6" PPH SS	0595181
(I) 74	1	-	EA.	WASHER, FENDER 1/4"X 1.25" SC	1260678
(I) 75	1	-	EA.	NUT, HEX NYLON LOCK #1/4-20 SC	1007764
(AL)(K) 76	-	-	EA.	EYE, STRAP EYE TIE-DOWN 5/16" CHR/ZINC	0861120
(AL)(K) 77	-	-	EA.	SCREW, TAPPING #6A X 5/8" POH SC	1008572
(AL)(AC)(L) 78	-	-	EA.	PANEL, BW2400R-04 INST MERC ANALOG W/SW	1754106
(AR)(AL)(AC)(L) 79	-	1	EA.	PANEL, BW2700R-05 INST MERC DUAL ANALOG W/SW	1772752
(AL)(R) 80	1	-	EA.	PANEL, PLAS BW2700R-02 CNSL FWD DOOR	1717276
(R) 81	1	-	EA.	PANEL, PLAS BW2700R-02 CNSL DOOR	1717277
(BR)(AL)(S) 82	-	1	EA.	PANEL, BW2700R-05 INST MERC DUAL SYS VIEW	1772750
(AL)(S) 83	-	-	EA.	ACC PART, MERC S/CRFT SYS VIEW DTS	1738104
(AL)(AC)(S) 84	-	-	EA.	CONTROL, CNSL MNT SGL DTS N/HARNESS	1738099
(V)(U)(T) 85	8	-	EA.	SCREW, MACHINE #10-32 X 1.5" PFH SC	1140417
(V)(U)(T) 86	8	-	EA.	NUT, HEX NYLON LOCK #10-32 SC	1260736
(V)(U)(T) 87	8	-	EA.	WASHER, FLAT #10 SC	1260751
(V) 88	.5	-	EA.	ADHESIVE, WELD-ON SS 214 2PART 470ML	1558485
(V) 89	1	-	EA.	SYRINGE, MIXER 1/2" WIDTH 24 ELEMENT	0734103
(Z) 90	4	-	EA.	SCREW, CAP #5/16-18 X 3/4" HEX HD SC	1260561
(BX)(BT)(AP)(AL)(AC) 91	1	-	EA.	PANEL, BW2700R-07 INST VESSEL VIEW DTS	1887943
(BX)(BT)(AW)(AL)(AC) 92	1	-	EA.	ACC PART, MERC S-CRFT VESSEL VIEW	1890259
(BX)(BG)(AL)(AC) 93	1	-	EA.	CONTROL, CNSL MNT DUAL DTS CANPAD GEN I	1849602
(AC)(M) 94	-	4	EA.	SCREW, TAPPING # 10 X 1" PTH	1008739
(AC) 95	1	-	EA.	HOLDER, MAGNETIC SHORT	1746047
(AC) 96	2	-	EA.	WASHER, FLAT #8 SC	1326297
(BO)(AC) 97	2	-	EA.	SCREW, MACHINE #8-32 X 5/8" POH SC	1347186
(AC) 98	2	-	EA.	NUT, ACORN #8-32 SC	1752458
(AC) 99	2	-	EA.	SCREW, TAPPING #8 X 5/8" POH	1213354
(AL)(AI) 100	-	-	EA.	PANEL, BW2400R-04 INST MERC DUAL ANALOG W/SW	1762678
(AL)(AI) 101	-	-	EA.	SPACER, HDPE BW-02 DUAL CNTRL WEDGE 5DEG	1649862
(AL) 102	4	-	EA.	SCREW, MACHINE #1/4-20 X 1" PPH SC	1008580
(BX)(AN)(AL) 103	1	-	EA.	STEERING, HELM PUMP MERC 50 CM3 STD	1784019
(AL) 104	1	-	EA.	LIGHT, DOME INTERIOR 5.75" WHT SURF MNT	1131572
(AL) 105	2	-	EA.	SCREW, TAPPING #6A X 1/2" PTH SC	1008796
(AL) 106	1	-	EA.	DOOR, HDPE BW240/2700R-05 CNSL ACCESS INT AFT	1774406
(AL) 107	1	-	EA.	CONSOLE INTERIOR LINER	22-K190-00
(AL) 108	1	-	EA.	PANEL, PLAS BW240/2700R-05 CNSL PRT	1770962
(AL) 109	1	-	EA.	ACCESS PLATE, POLYPROP TWIST-OUT 5" WHT BWI	1016153
(AP)(AN)(AL) 110	-	1	EA.	STEERING, REAR MOUNT HELM KIT	1781293
(BU)(AL) 111	1	-	EA.	TRIM TAB, ASSY 10X12 W/INDICATOR	1779346
(BT)(BJ)(BG)(AV)(AO) 112	2	-	EA.	ACC PART, MERC S-CRFT JUNC BOX 4-WAY	1507326
(BC)(AO) 113	-	6	EA.	SCREW, TAPPING #8A X 1/2" PTH SC	1008812
(BF)(AT)(AO) 114	-	1	SET	ACC PART, MERC DUAL CNSL CMM KIT GEN I	1849607
(AO) 115	-	6	EA.	SCREW, TAPPING #10A X 3/4" PTH SC	1008762
(AO) 116	-	6	EA.	WASHER, FLAT #1/4" SC	1260769
(AV)(AO) 117	1	1	EA.	ACC PART, MERC S-CRFT JUNC BOX 6-WAY	1662444
(AP) 118	1	1	EA.	SWITCH, START/STOP DUAL ENG KIT DTS	1781396
(AQ) 119	4	-	EA.	SCREW, TAPPING #6A X 1" PPH SC	1184548
(AY) 120	1	-	EA.	STEERING, NUT 758 CAST SS W/BW LOGO	1815982
(BO)(BE)(BB) 121	-	1	EA.	VIDEO EQUIPMENT, AUXILIARY INPUT MA-AUX2	1850253
(BC) 122	-	1	EA.	PANEL, BWOR-07 INST DUAL MERC W/DUAL 6000I	1839751
(BC) 123	-	1	EA.	PANEL, BWOR-07 INST DTS MERC W/DUAL 6000I	1839752
(BV)(BC) 124	-	1	EA.	MODULE, STD TWN S/CRFT GATEWAY	1891802
(BG) 125	-	2	EA.	ACC PART, MERC JUNC BOX SPACER	1851824
(BG) 126	-	2	EA.	SCREW, TAPPING #10A X 2.5" PTH SC	1760271
(BW) 127	-	1	EA.	SPOTLIGHT, GOLIGHT HALOGEN W/RF REMOTE	1840023

MOLD NO.

BOAT MODEL  
**2700R**

SCALE: NONE

DATE: 11/30/01

DRAWN: R. CRAVEN  
DWG. TITLE:  
**CONSOLE CUTOUTS & ASSY.**

INTERPRET DIMENSIONS AND TOLERANCES PER ANSI Y 14.5 UNLESS OTHERWISE SPECIFIED DIMENSIONS ARE IN INCHES.  
TOLERANCES: ANGLES = ± .5° .XXX = ± .010  
.X = ± .1 .XX = ± .03  
X = ± 1/16

DWG. NO.: **09201**

INIT. REL. ECN NO.: **010624**

INIT. REL. ECN NO.: **010624**

DATE: 11/30/01

DRAWN: R. CRAVEN  
DWG. TITLE:  
**CONSOLE CUTOUTS & ASSY.**

INTERPRET DIMENSIONS AND TOLERANCES PER ANSI Y 14.5 UNLESS OTHERWISE SPECIFIED DIMENSIONS ARE IN INCHES.  
TOLERANCES: ANGLES = ± .5° .XXX = ± .010  
.X = ± .1 .XX = ± .03  
X = ± 1/16

DO NOT SCALE DRAWING



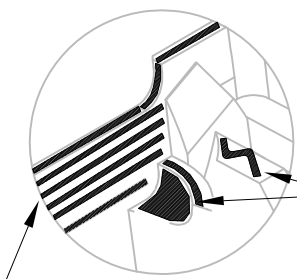
THIS DOCUMENT IS THE PROPERTY OF BOSTON WHALER, INC. MFG. DEPT., EDGEWATER, FLORIDA. ALL RIGHTS ARE RESERVED. THIS DOCUMENT AND INFORMATION CONTAINED MUST NOT BE COPIED OR DISCLOSED TO OTHERS WITHOUT WRITTEN PERMISSION OF BOSTON WHALER, INC.

DWG. NO:  
06401

REV.  
D

CURRENT ECD  
060228

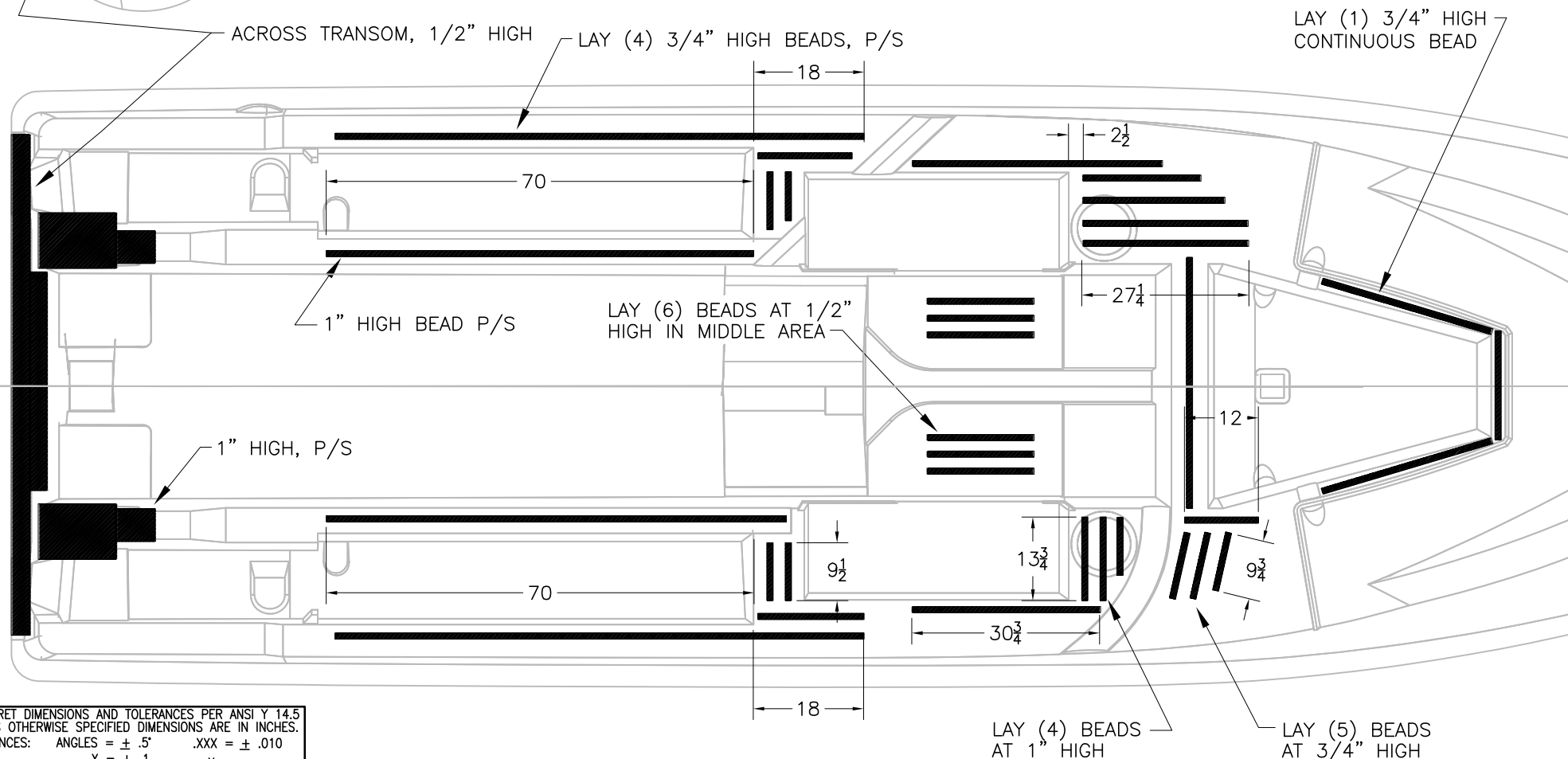
REVISIONS					
REV.	DESCR.	BY	DATE	APPVD.	ECN NO.
B	DIMENSIONS ADDED TO ADHESIVE AREA.	RD	01/10/02		01-06-24
C	Changed Numbering System/Apply Att.Border.	AVM	04/14/03		03-03-18
D	MODIFY DRAWING BORDER TO AN ATTRIBUTED BORDER	TS	02/24/06	AVM	060228



1" HIGH, P/S

### APPLY ADHESIVE IN DARK AREAS

ALL BEADS ARE APPROX. 1" APART



INTERPRET DIMENSIONS AND TOLERANCES PER ANSI Y 14.5 UNLESS OTHERWISE SPECIFIED DIMENSIONS ARE IN INCHES.  
TOLERANCES: ANGLES = ± .5° .XXX = ± .010  
.X = ± .1 .XX = ± .03 X = ± 1/16  
DO NOT SCALE DRAWING



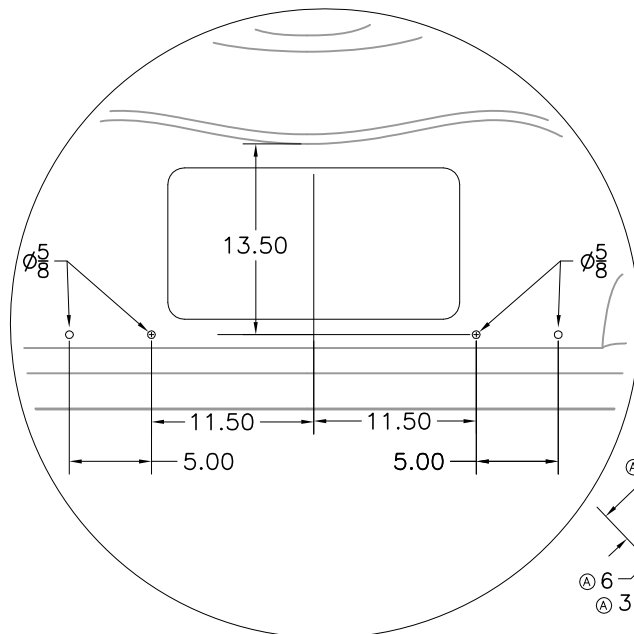
CHECKED: R. DURHAM	DATE: 11/07/01	DRAWN: H WOOD	DATE: 11/07/01	SCALE: NONE	BOAT MODEL	MOLD NO.
APPD: K. RANIERI	DATE: 11/07/01	DWG. TITLE:			2700R	
DESIGN: L. SCHOLZ	DATE: 11/07/01	DECK ADHESIVE LOCATIONS			INIT. REL. ECN NO:	DWG. NO:
INT. ENG:	DATE:				010624	06401
					SHT. NO.	1 of 1

THIS DOCUMENT IS THE PROPERTY OF BOSTON WHALER, INC. MFG. DEPT., EDGEWATER, FLORIDA. ALL RIGHTS ARE RESERVED. THIS DOCUMENT AND INFORMATION CONTAINED MUST NOT BE COPIED OR DISCLOSED TO OTHERS WITHOUT WRITTEN PERMISSION OF BOSTON WHALER, INC.

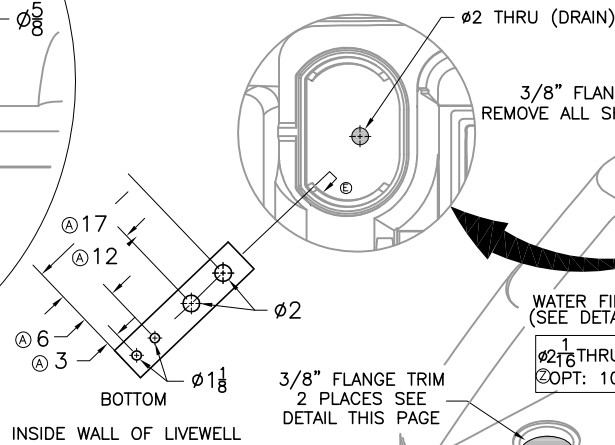
DWG. NO: 06201  
 REV. Z  
 CURRENT ECD 07054359

REVISIONS					
REV.	DESCR.	BY	DATE	APPVD.	ECN NO.
X	ADD OPT: 100-70402	GD	11/18/05	RA	051140
Y	MYE 2007: CHANGE FUEL FILL HOLE, WASTE HOLE WAS 2 1/4"	SWH	04/13/06	MG	060359
Z	DELETED OPTION 020-70250, MADE 020-70272 STANDARD	RJW	05/31/07	RA	07054359

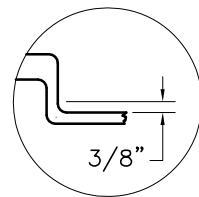
1. SEE DWG. #01-201 FOR LIST OF APPLICABLE HOLE DRILLING FIXTURES.



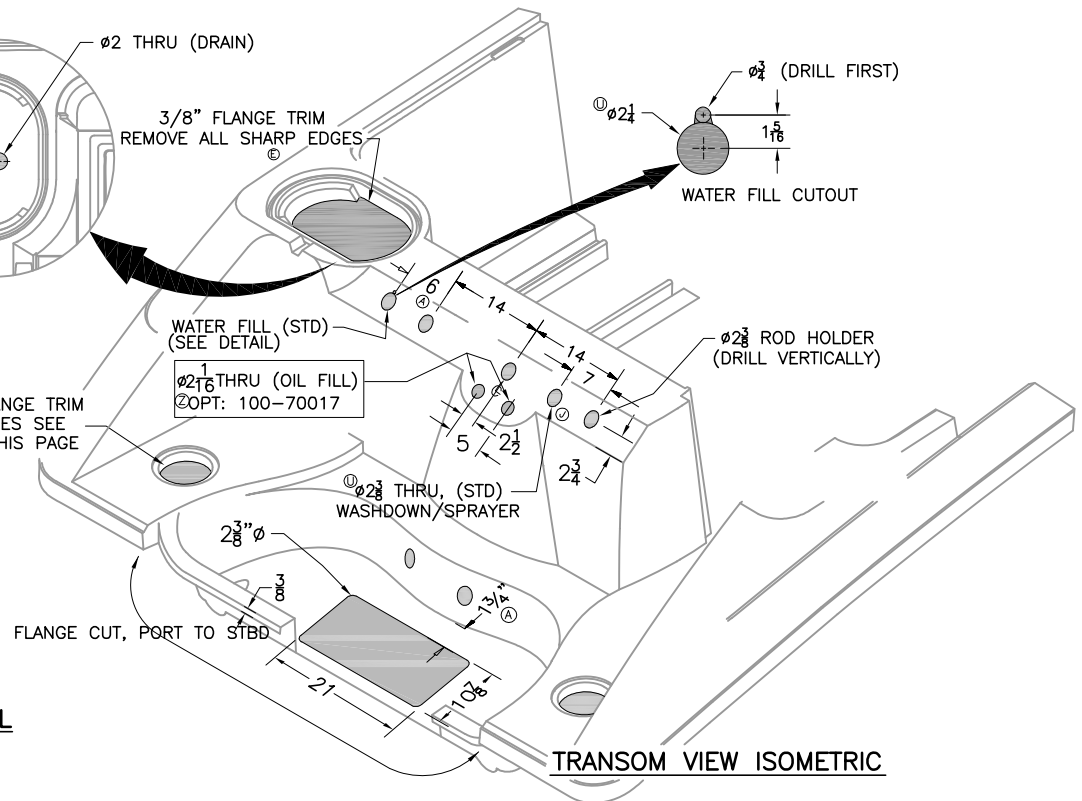
Ø BULKHEAD FITTING LOCATIONS  
 (STD & OPT: 100-70402  
 DELETE W/ OPT: 020-70405,  
 020-79999)



INSIDE WALL OF LIVEWELL



FLANGE TRIM DETAIL

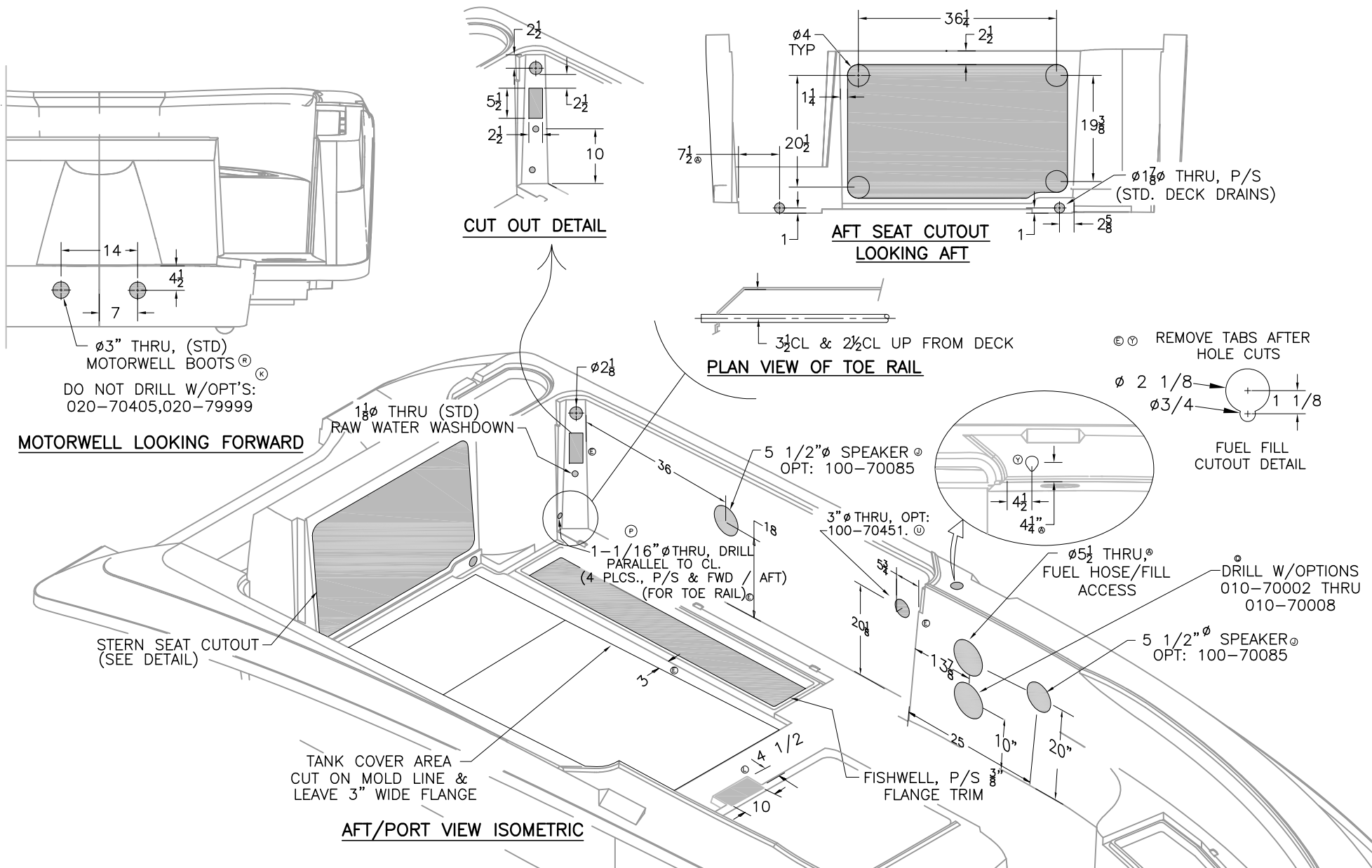


TRANSOM VIEW ISOMETRIC

INTERPRET DIMENSIONS AND TOLERANCES PER ANSI Y 14.5  
 UNLESS OTHERWISE SPECIFIED DIMENSIONS ARE IN INCHES.  
 TOLERANCES: ANGLES = ± .5° .XXX = ± .010  
 .X = ± .1 X = ± 1/16  
 .XX = ± .03 X = ± 1/16  
 DO NOT SCALE DRAWING



CHECKED: K. RANIERI	DATE: 10/31/01	DRAWN: H. READ	DATE: 10/10/01	SCALE: NONE	BOAT MODEL	MOLD NO.
APPD: K. RANIERI	DATE: 10/31/01	DWG. TITLE:			2700R	
DESIGN: L. SCHOLZ	DATE: 10/04/01	Deck Cutouts			INIT. REL. ECN NO:	DWG. NO:
INT. ENG: M. GATICA	DATE: 1/15/02				010624	06201
					SHT. NO.	
					1	of 4



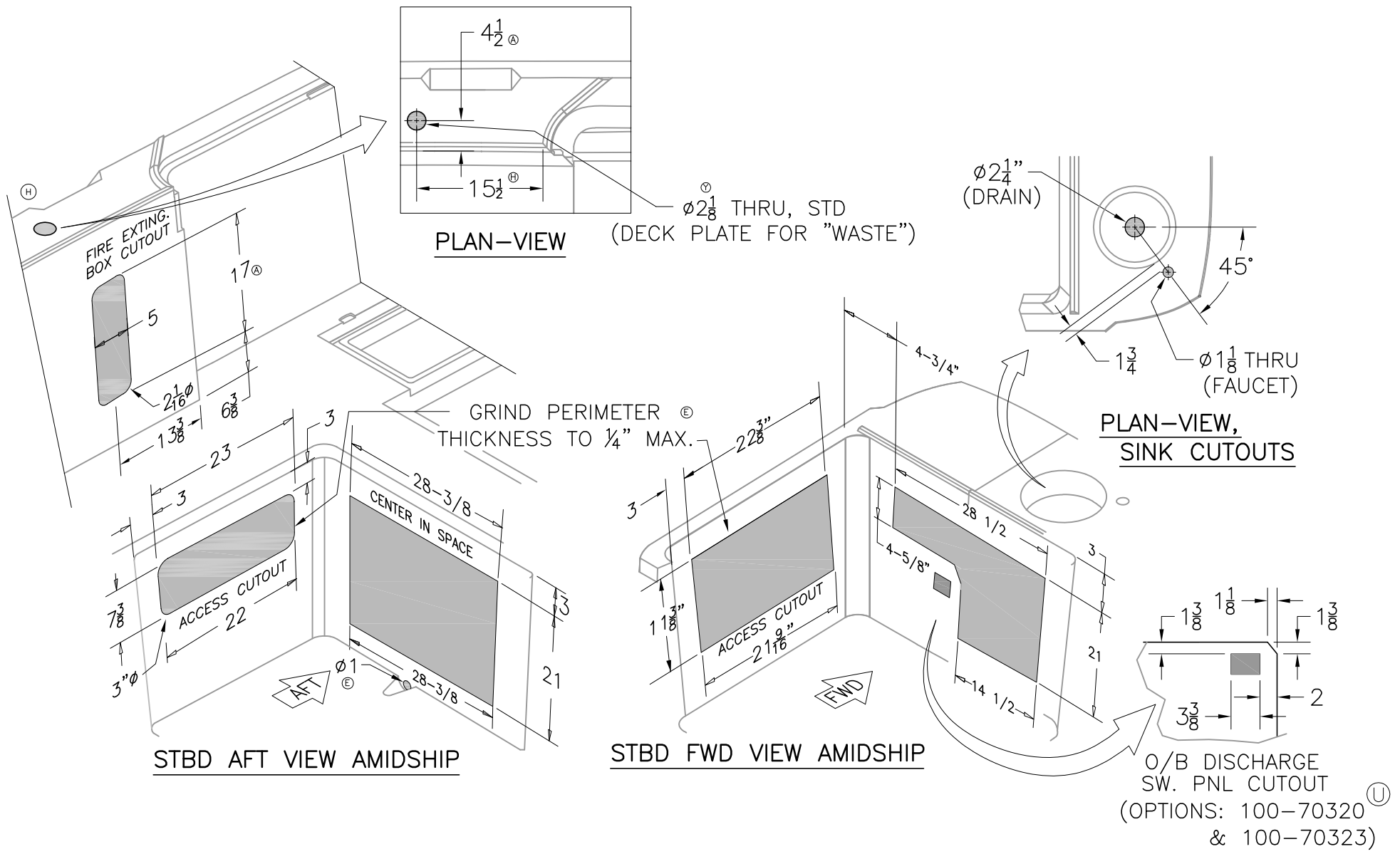


THIS DOCUMENT IS THE PROPERTY OF BOSTON WHALER, INC. MFG. DEPT., EDGEWATER, FLORIDA. ALL RIGHTS ARE RESERVED. THIS DOCUMENT AND INFORMATION CONTAINED MUST NOT BE COPIED OR DISCLOSED TO OTHERS WITHOUT WRITTEN PERMISSION OF BOSTON WHALER, INC.

DWG. NO:  
06201

REV.  
Z

CURRENT ECD  
07054359



INTERPRET DIMENSIONS AND TOLERANCES PER ANSI Y 14.5 UNLESS OTHERWISE SPECIFIED DIMENSIONS ARE IN INCHES.  
TOLERANCES: ANGLES = ± .5° .XXX = ± .010  
.X = ± .1 .XX = ± .03 X = ± 1/16  
DO NOT SCALE DRAWING

DRAWN: H.READ DATE: 10/10/01 SCALE: NONE  
DWG. TITLE: Deck Cutouts

BOAT MODEL: 2700R  
INIT. REL. ECN NO: 010624

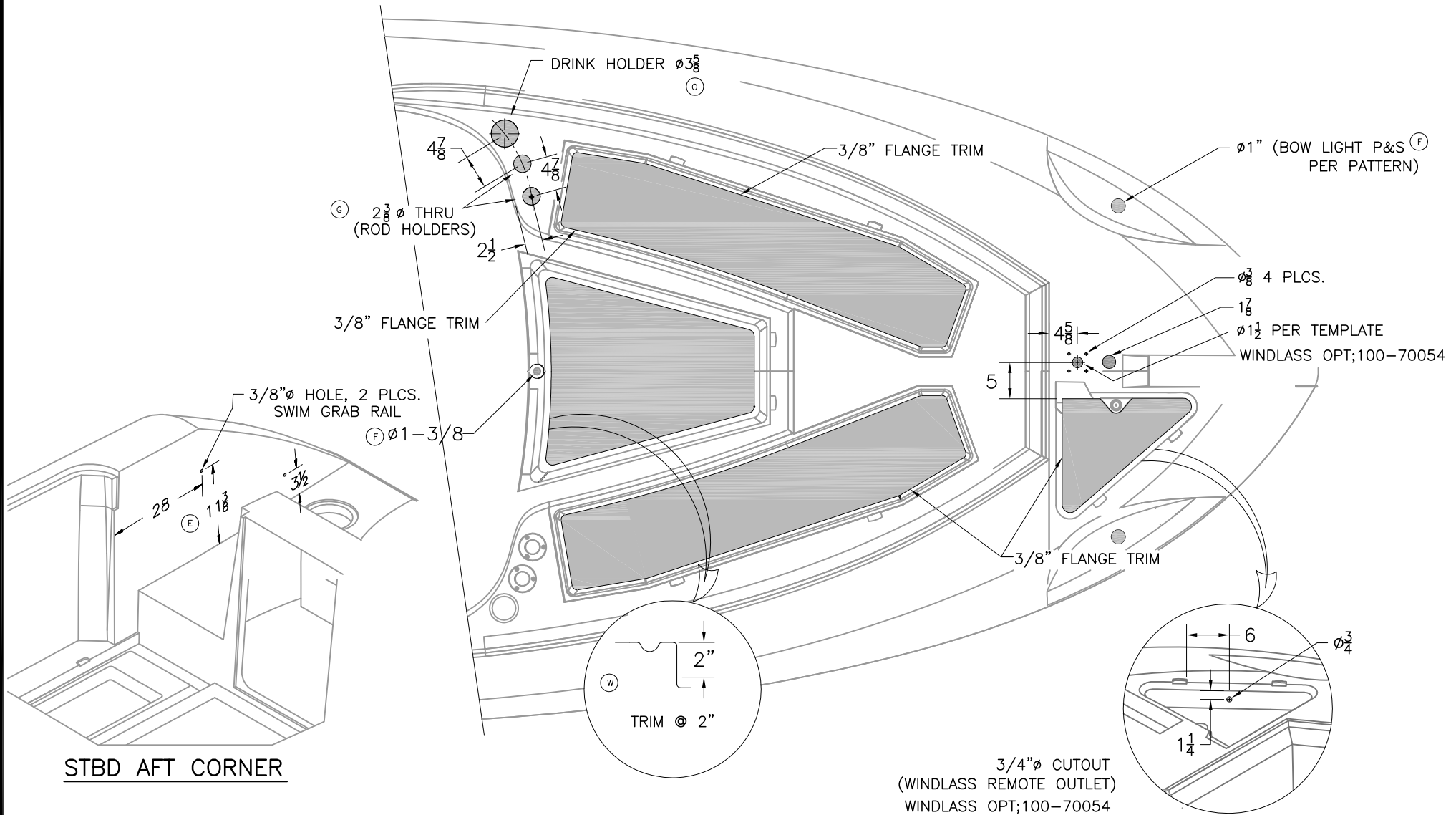
MOLD NO.  
DWG. NO: 06201  
SHT. NO: 3 of 4

THIS DOCUMENT IS THE PROPERTY OF BOSTON WHALER, INC. MFG. DEPT., EDGEWATER, FLORIDA. ALL RIGHTS ARE RESERVED. THIS DOCUMENT AND INFORMATION CONTAINED MUST NOT BE COPIED OR DISCLOSED TO OTHERS WITHOUT WRITTEN PERMISSION OF BOSTON WHALER, INC.

DWG. NO:  
06201

REV.  
Z

CURRENT ECD  
07054359



INTERPRET DIMENSIONS AND TOLERANCES PER ANSI Y 14.5 UNLESS OTHERWISE SPECIFIED DIMENSIONS ARE IN INCHES.  
TOLERANCES: ANGLES =  $\pm .5^\circ$  .XXX =  $\pm .010$   
.X =  $\pm .1$  .XX =  $\pm .03$  X =  $\pm 1/16$   
DO NOT SCALE DRAWING

DRAWN: H.READ DATE: 10/10/01 SCALE: NONE

DWG. TITLE: Deck Cutouts

BOAT MODEL

2700R

MOLD NO.

INIT. REL. ECN NO:

010624

DWG. NO:

06201

SHT. NO.

4 of 4

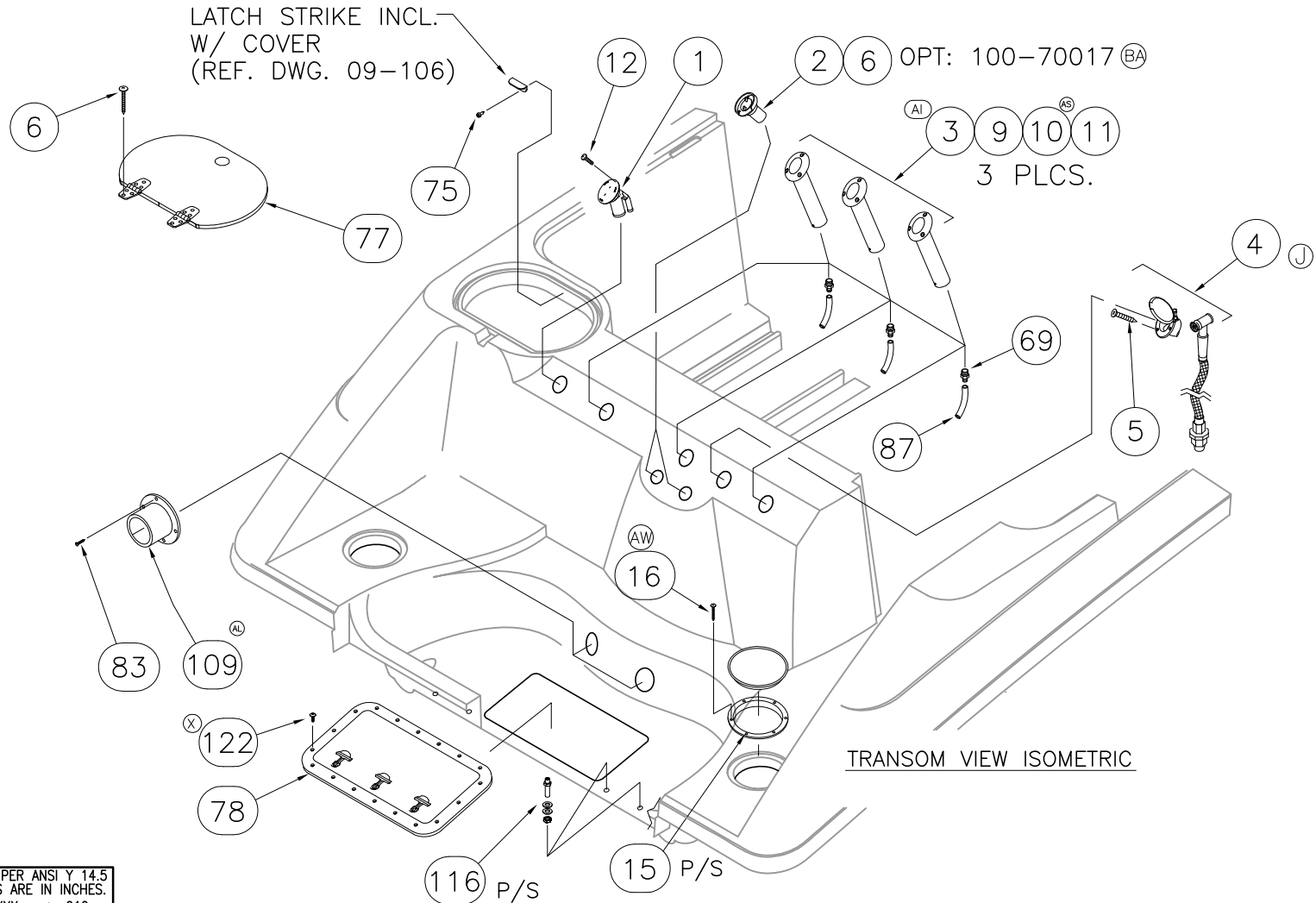
THIS DOCUMENT IS THE PROPERTY OF BOSTON WHALER, INC. MFG. DEPT., EDGEWATER, FLORIDA. ALL RIGHTS ARE RESERVED. THIS DOCUMENT AND INFORMATION CONTAINED MUST NOT BE COPIED OR DISCLOSED TO OTHERS WITHOUT WRITTEN PERMISSION OF BOSTON WHALER, INC.

DWG. NO: **06202** REV. **BA** CURRENT ECD **07054359**

**NOTES:**

1. SEE FIXTURE LIST #01-201 FOR LOCATIONS.
2. SEE DWG. 06-201 FOR CUT OUT LOCATIONS.
3. DOWNRIGGER BALL HOLDERS MUST BE INSTALLED PRIOR TO TOE RAIL.

REVISIONS					
REV.	DESCR.	BY	DATE	APPVD.	ECN NO.
AW	CHANGED PN# & DESCRIPTION ITEM 6, SHEETS 1, 2 & 6	SLJ	10/12/06	AVM	0604106
AX	CHANGED PN# & DESCRIPTION ITEM #50, SHEET 6.	JC	04/17/07	AVM	07044180
AY	CHANGED PN# & DESCRIPTION ITEM #56, SHEET 6.	TKJ	04/23/07	AVM	07034077
AZ	1 27 WAS 1 204552 - QNT 4	SWH	05/14/07	AVF	07044281
BA	DELETED OPTION 020-70250, MADE 020-70272 STANDARD	RJW	05/31/07	RA	07054359



INTERPRET DIMENSIONS AND TOLERANCES PER ANSI Y 14.5 UNLESS OTHERWISE SPECIFIED DIMENSIONS ARE IN INCHES.  
 TOLERANCES: ANGLES = ± .5° .XXX = ± .010  
 .X = ± .1 .XX = ± .03 X = ± 1/16  
 DO NOT SCALE DRAWING

(BA) STD & OPT: 100-70402, DELETE W/ OPT: 020-70405, 020-79999

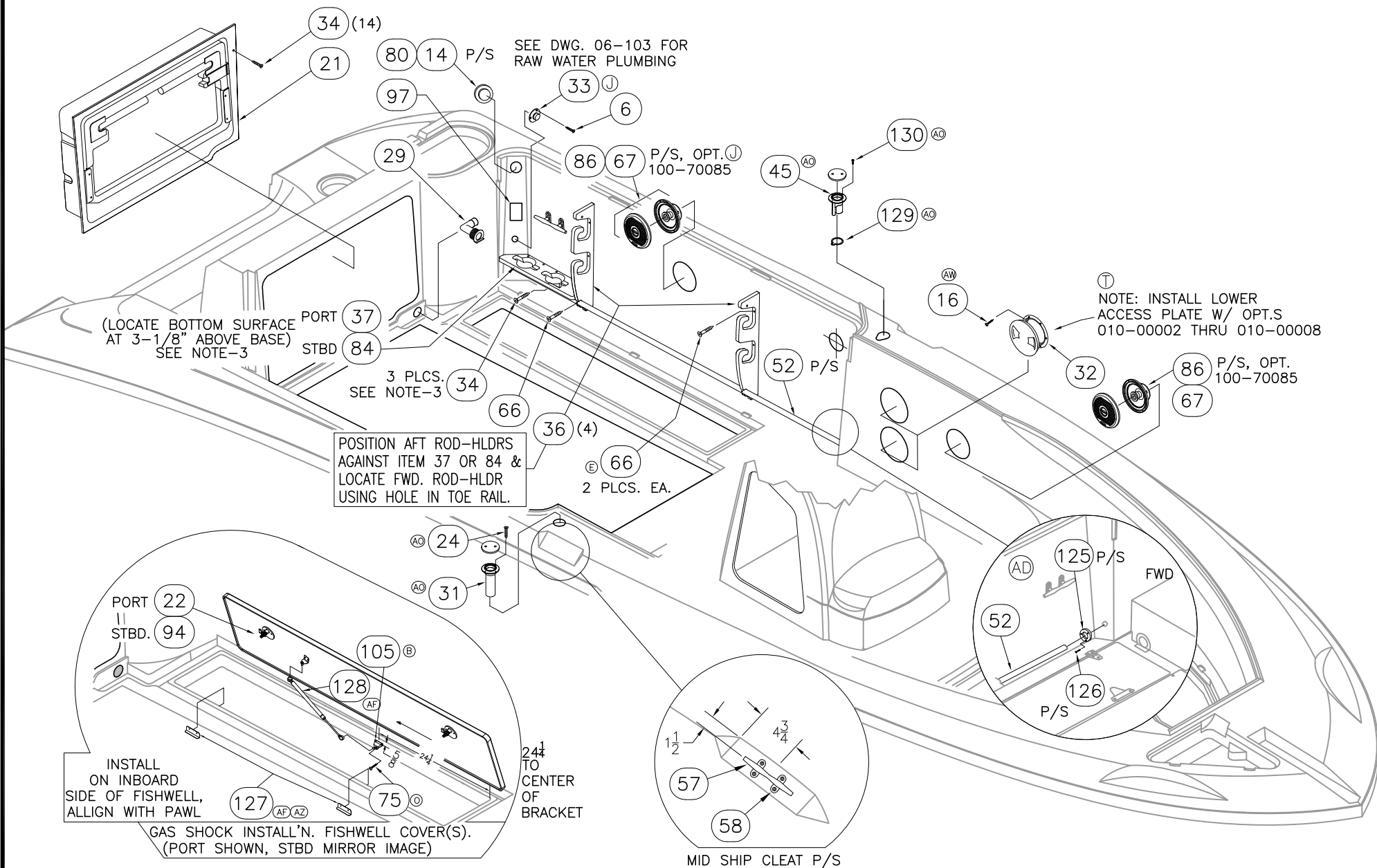
<p>PRODUCT DEV. &amp; MFG. ENGINEERING GROUP</p>	CHECKED: K. RANIERI	DATE: 11/02/01	DRAWN: H. READ	DATE: 10/15/01	SCALE: NONE	BOAT MODEL	MOLD NO.
	APPD: K. RANIERI	DATE: 11/02/01	DWG. TITLE:			2700R	
	DESIGN: L. SCHOLZ	DATE: 12/12/01	DECK OUTFIT & EQUIP. LOCATIONS			INIT. REL. ECN NO:	DWG. NO:
	INT. ENG: M. GATICA	DATE: 1/21/02				010624	06202
							1 of 7

THIS DOCUMENT IS THE PROPERTY OF BOSTON WHALER, INC. MFG. DEPT., EDGEWATER, FLORIDA. ALL RIGHTS ARE RESERVED. THIS DOCUMENT AND INFORMATION CONTAINED MUST NOT BE COPIED OR DISCLOSED TO OTHERS WITHOUT WRITTEN PERMISSION OF BOSTON WHALER, INC.

DWG. NO:  
06202

REV.  
BA

CURRENT ECD  
07054359

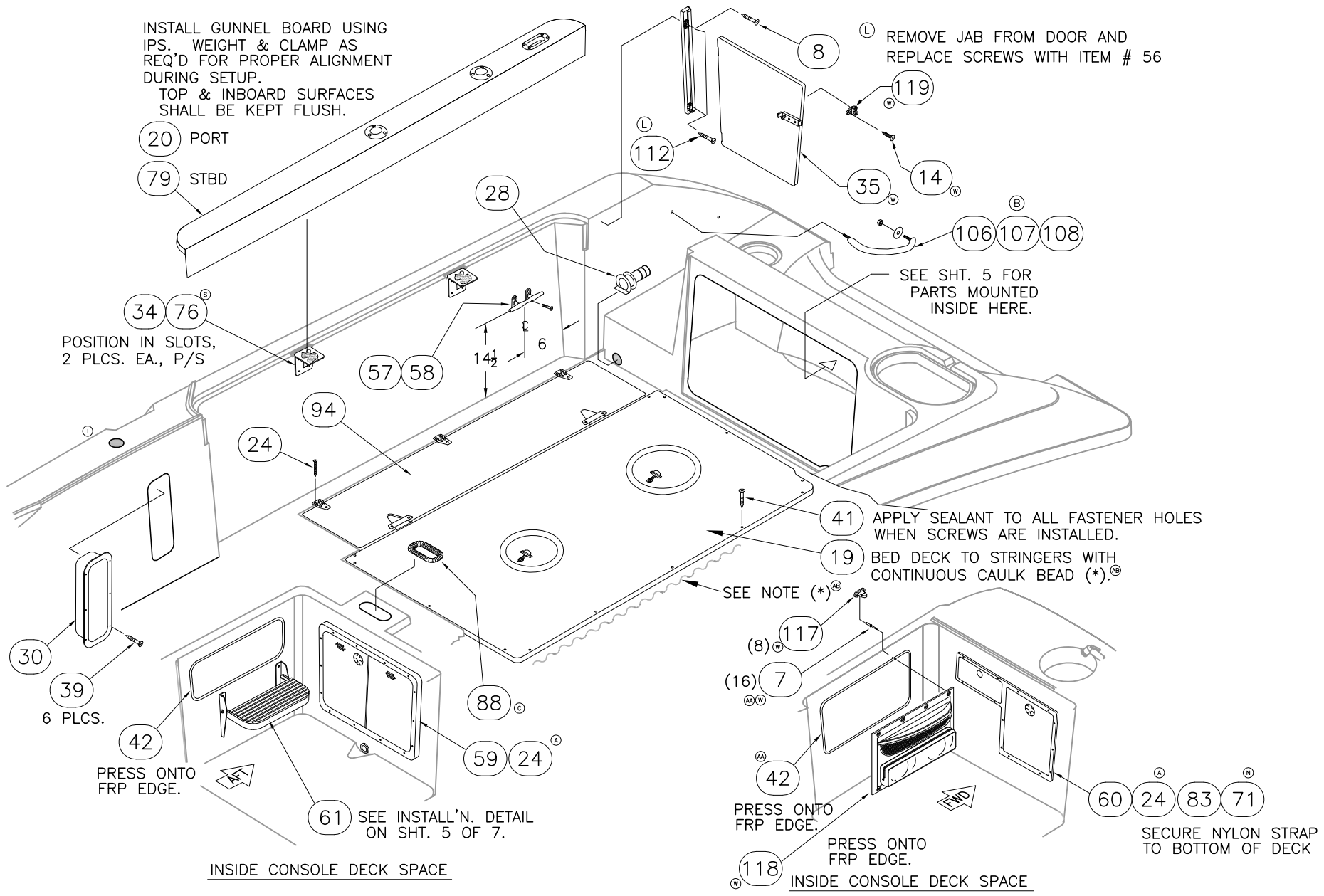


THIS DOCUMENT IS THE PROPERTY OF BOSTON WHALER, INC. MFG. DEPT., EDGEWATER, FLORIDA. ALL RIGHTS ARE RESERVED. THIS DOCUMENT AND INFORMATION CONTAINED MUST NOT BE COPIED OR DISCLOSED TO OTHERS WITHOUT WRITTEN PERMISSION OF BOSTON WHALER, INC.

DWG. NO:  
06202

REV.  
BA

CURRENT ECD  
07054359



INSTALL GUNNEL BOARD USING IPS. WEIGHT & CLAMP AS REQ'D FOR PROPER ALIGNMENT DURING SETUP. TOP & INBOARD SURFACES SHALL BE KEPT FLUSH.

(20) PORT  
(79) STBD

(34) (76)  
POSITION IN SLOTS, 2 PLCS. EA., P/S

(L) REMOVE JAB FROM DOOR AND REPLACE SCREWS WITH ITEM # 56

SEE SHIT. 5 FOR PARTS MOUNTED INSIDE HERE.

(41) APPLY SEALANT TO ALL FASTENER HOLES WHEN SCREWS ARE INSTALLED.

(19) BED DECK TO STRINGERS WITH CONTINUOUS CAULK BEAD (\*)

(42) PRESS ONTO FRP EDGE.

(61) SEE INSTALL'N. DETAIL ON SHIT. 5 OF 7.

(42) PRESS ONTO FRP EDGE.

(42) PRESS ONTO FRP EDGE.

SECURE NYLON STRAP TO BOTTOM OF DECK

INSIDE CONSOLE DECK SPACE

INSIDE CONSOLE DECK SPACE



INTERPRET DIMENSIONS AND TOLERANCES PER ANSI Y 14.5 UNLESS OTHERWISE SPECIFIED DIMENSIONS ARE IN INCHES.  
TOLERANCES: ANGLES = ± .5° .XXX = ± .010  
.X = ± .1 .X = ± 1/16  
.XX = ± .03  
DO NOT SCALE DRAWING

DRAWN: H.READ DATE: 10/15/01 SCALE: NONE  
DWG. TITLE: DECK OUTFIT & EQUIP. LOCATIONS

BOAT MODEL 2700R  
INIT. REL. ECN NO: 010624

MOLD NO.  
DWG. NO: 06202

SHIT. NO. 3 OF 7

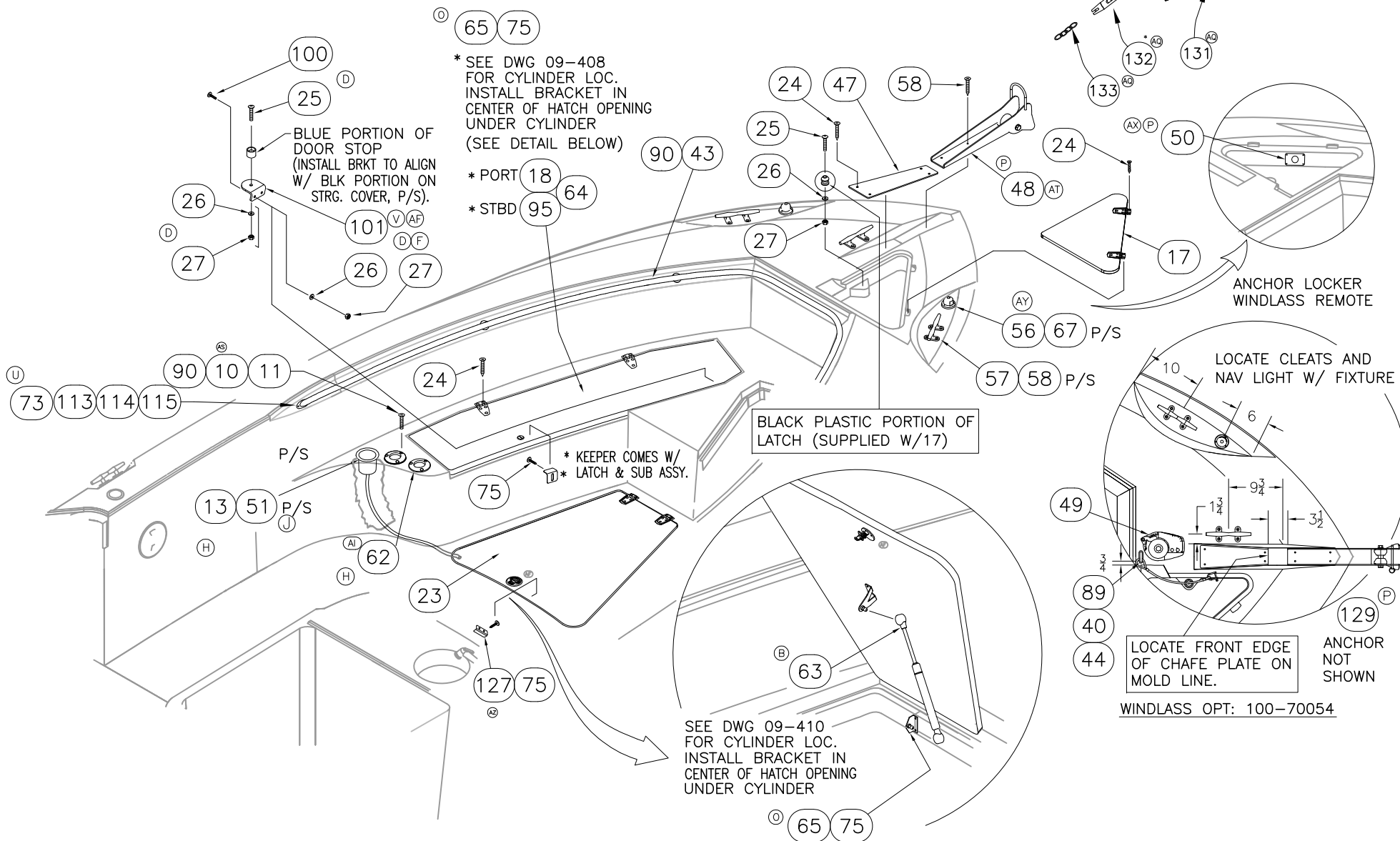
THIS DOCUMENT IS THE PROPERTY OF BOSTON WHALER, INC. MFG. DEPT., EDGEWATER, FLORIDA. ALL RIGHTS ARE RESERVED. THIS DOCUMENT AND INFORMATION CONTAINED MUST NOT BE COPIED OR DISCLOSED TO OTHERS WITHOUT WRITTEN PERMISSION OF BOSTON WHALER, INC.

DWG. NO:  
06202

REV.  
BA

CURRENT ECD  
07054359

\* NOTE: USE PERMANENT LOC-TITE (RED) WHEN ASSEMBLING SWIVEL



INTERPRET DIMENSIONS AND TOLERANCES PER ANSI Y 14.5 UNLESS OTHERWISE SPECIFIED DIMENSIONS ARE IN INCHES.  
TOLERANCES: ANGLES = ± .5° .XXX = ± .010  
.X = ± .1 X = ± 1/16  
.XX = ± .03

DO NOT SCALE DRAWING

DRAWN: H.READ DATE: 10/15/01 SCALE: NONE

DWG. TITLE:

DECK OUTFIT & EQUIP. LOCATIONS

BOAT MODEL

2700R

INIT. REL. ECD NO:

010624

MOLD NO.

DWG. NO:

06202

SHT. NO.

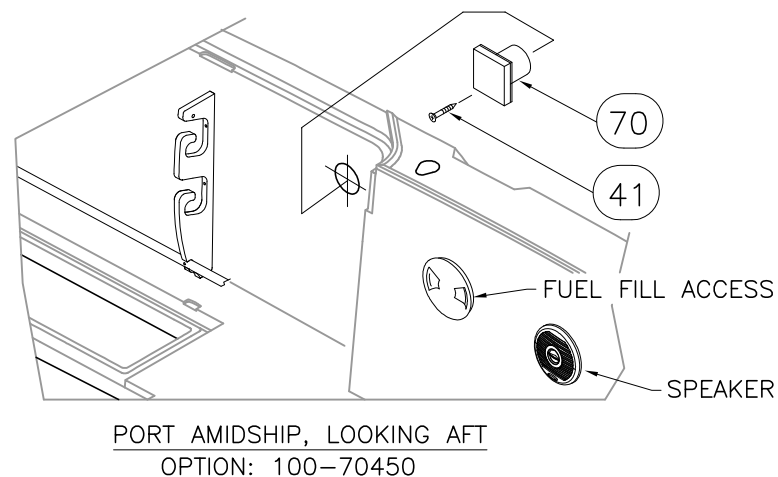
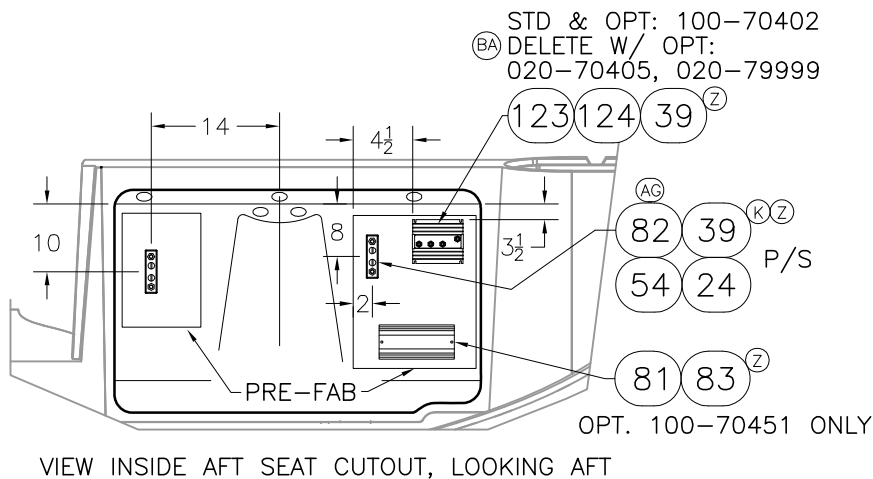
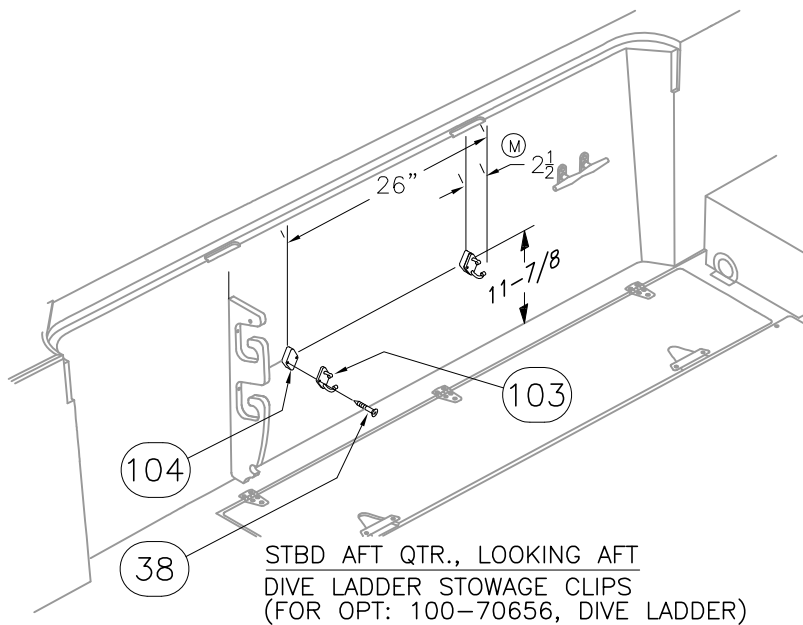
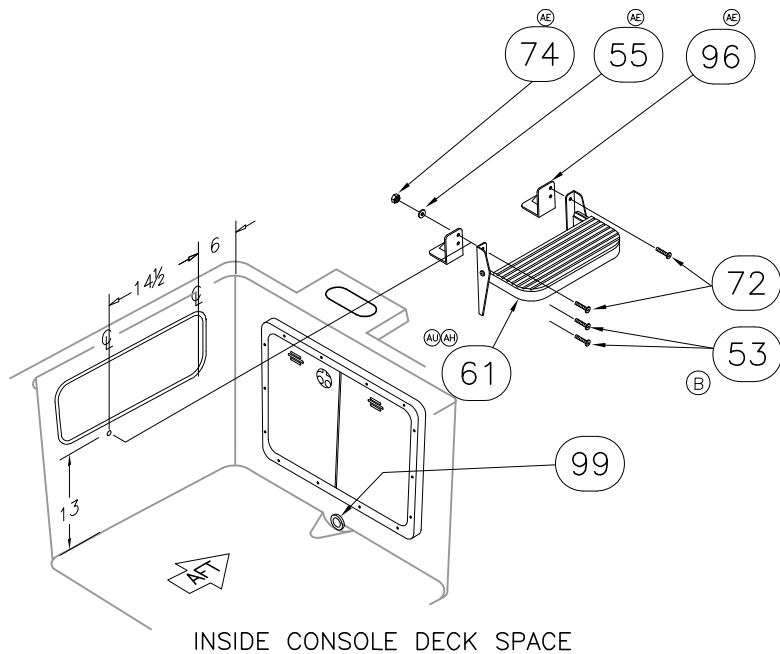
4 OF 7

THIS DOCUMENT IS THE PROPERTY OF BOSTON WHALER, INC. MFG. DEPT., EDGEWATER, FLORIDA. ALL RIGHTS ARE RESERVED. THIS DOCUMENT AND INFORMATION CONTAINED MUST NOT BE COPIED OR DISCLOSED TO OTHERS WITHOUT WRITTEN PERMISSION OF BOSTON WHALER, INC.

DWG. NO:  
06202

REV.  
BA

CURRENT ECD  
07054359



THIS DOCUMENT IS THE PROPERTY OF BOSTON WHALER, INC. MFG. DEPT., EDGEWATER, FLORIDA. ALL RIGHTS ARE RESERVED. THIS DOCUMENT AND INFORMATION CONTAINED MUST NOT BE COPIED OR DISCLOSED TO OTHERS WITHOUT WRITTEN PERMISSION OF BOSTON WHALER, INC.

DWG. NO: 06202  
 REV. BA  
 CURRENT ECD 07054359

# PARTS LIST

ITEM	STD. QTY.	OPT. QTY.	OPT. QTY.	OPT. QTY.	OPT. QTY.	U/M	DESCRIPTION	MRP NUMBER
01	1						EA. DECK PLATE, WATER CHR W/VENT BLUE CLR-CODE	1109362
02	2						EA. ACC PART, MERC OIL FILL KIT (DECK)	0733105
03	3						EA. ROD HOLDER, FLUSH MNT SS W/BW-05 LOGO	1799571
04	1						EA. WASHDOWN/SPRAYER, VERT MNT WHT W/BW LOGO	1612928
05	3						EA. SCREW, TAPPING #8A X 1" PTH SC	1008804
06	9						EA. SCREW, TAPPING #8 x 5/8" POH SC	1213354
07	16						EA. RIVET, POP/BLIND #1/8 X 3/8" ALUM	192047
08	4						EA. SCREW, TAPPING #8A x 1.75 PFH SC	1334895
09	21						EA. SCREW, MACHINE #1/4-20 x 1.75" POH SC	0133744
10	21						EA. NUT, LOCK #1/4-20 SC STD PATT	1009786
11	9						EA. WASHER, FLAT #1/4" SC	1260769
12	4						EA. SCREW, TAPPING #6A x 1/2" PTH SC	1008796
13							FT. HOSE, PVC CLEAR 1/2"	0124362
14	12						EA. SCREW, TAPPING #6A X 1/2" PFH SC	1010362
15	2						EA. PLATE, DECK ACCESS 6" PRY-OUT SAND	1447432
16	28						EA. SCREW, TAPPING #8A X 5/8" PPH SC	1010677
17	1						EA. ANCHOR LOCKER COVER SUB-ASSY.	09-402
18	1						EA. BOW STORAGE COVER SUB-ASSY., PORT	09-408
19	1						EA. FUEL TANK COVER SUB-ASSY.	09-301
20	1						EA. GUNNEL BOARD SUB-ASSY. PORT	09-226
21	1						EA. STERN SEAT SUB-ASSY.	09-409
22	1						EA. FISHWELL COVER SUB-ASSY., PORT	09-401
23	1						EA. FORWARD FLOOR STORAGE COVER SUB-ASSY.	09-410
24	66						EA. SCREW, TAPPING #10A x 1" POH SC	1008507
25	1						EA. SCREW, MACHINE #10-24 x 1.5" POH SC	1305788
26	4						EA. WASHER, FLAT #10 SC	1260751
27	7						EA. NUT, HEX NYLON LOCK #10-24 SC	1007772
28	1						EA. THRU-HULL, PLAS 1.5" L-FLANGE W/BARB/NUT WHT	1072826
29	1						EA. THRU-HULL, PLAS 1.5" ELBOW R-HEAD BARB WHT	1574722
30	1						EA. BOX, ABS BW-97 FIRE EXT LONG WHT	1037480
31	1						EA. DECK PLATE, WASTE CHR STRAIGHT NCK BLK CODE	1355585
32	1	1					EA. ACCESS PLATE, POLYPROP TWIST-OUT 5"	1016153
33	1						EA. FITTING, RAW WTR OUTLET SS	1718983
34	44						EA. SCREW, TAPPING #10A x 1" PTH SC	1008739
35	1						EA. DOOR, PLEX BW2700R-05 TRNSM	1778697
36	4						EA. ROD HOLDER, HDPE BW2700R-02 UNDER GUNNEL	1683101
37	1						EA. HOLDER, HDPE BW2700R-02 DOWNRIGGER BALL PORT	1685223
38	12						EA. SCREW, TAPPING #10A x 2.5" PPH SC	0353607
39	22						EA. SCREW, TAPPING #8A x 5/8" PTH SC	1010925
40	1						EA. EYE, BOW 3/8" X 2.75"	0697508
41		4					EA. SCREW, TAPPING #10A x 1.5" PTH SC	1008747
42	11						FT. TRIM, EDGE PEARL MOTOR BOX SMALL	1156355
43	1						EA. RAIL, BW2700R-02 INTERIOR BOW	1682418
44	1						EA. HOOK, SNAP 1/4" X 2 1/2" SS	1794348
45	1						EA. DECK PLATE, GAS CHR W/VENT STRAIGHT RED CODE	1109370
46	1						EA. BOARD, HDPE BW2700R-02 LIVEWELL CUTTING	1687654
47	1						EA. CHAFE PLT, BW2700R-04 POLISHED SS ANCH CHUTE	1753122
48	1						EA. ROLLER, ANCHOR 240/2700R-07 W/RND BALE SS	1851066
49			1				EA. WINDLASS, RP/CHN MARLIN LO-PRO 12V	1624881
50			1				EA. WINDLASS, REMOTE CNTRL HRC 1002	1883923
51	2						EA. DRINKHOLDER, PLAS W/ DRAIN DEEP XLG SZ BLK	1727419
52	2						EA. RAIL, GRAB BW2700R-02 TOE 1" SS	1685221
53	4						EA. SCREW, TAPPING #10 x 2 PTH SS	1008754
54	2						EA. BUSS BAR, TERM POST 2 5/16 STUDS (ANL FUSE)	1717497
55	2						EA. WASHER, FLAT #10 SC	1260751
56	1						PR. LIGHT, NAV LED SURF HORIZ MT SS	1888325
57	7						EA. CLEAT, 8" SS HVY DUTY HOLLOW BASE	1027010
58	32						EA. SCREW, MACHINE #1/4-20 x 1.25 PFH SC	1213289
59	1						EA. HATCH, HDPE BW2700R-02 ACCESS HEAD AFT	1686239
60	1						EA. HATCH, HDPE BW2700R-02 ACCESS HEAD FWD	1686238
61	1						EA. STEP, ALUM/HDPE BW2700R-02 CNSL ENTRY	1688388

STD.  
 OPT: 100-70450  
 OPT: 100-70054  
 OPT: 100-70085  
 OPT: 020-70272  
 OPT: 020-70289

DRAWN: H. READ  
 DATE: 10/15/01  
 SCALE: NONE  
 DWG. TITLE: DECK OUTFIT & EQUIP. LOCATIONS  
 BOAT MODEL: 2700R  
 MOLD NO.:  
 INIT. REL. ECN NO.: 010624  
 DWG. NO.: 06202

INTERPRET DIMENSIONS AND TOLERANCES PER ANSI Y 14.5 UNLESS OTHERWISE SPECIFIED DIMENSIONS ARE IN INCHES.  
 TOLERANCES: ANGLES = ± .5°  
 .X = ± .1  
 .XX = ± .03  
 .XXX = ± .010  
 X = ± 1/16  
 Y = ± 1/16  
 DO NOT SCALE DRAWING






# PARTS LIST

ITEM	STD. QTY.	OPT. QTY.	OPT. QTY.	OPT. QTY.	OPT. QTY.	U/M	DESCRIPTION	MRP NUMBER
62	4					EA.	ROD HOLDER, FLUSH MNT SS 90DEG W/CAP ATTWOOD	1799572
63	1					EA.	CYLINDER, GAS SS 120PSI 20"EXT X 12" COMP	1755877
64	2					EA.	CYLINDER, GAS SS 50PSI 10"EXT X 7" COMP	1424571
65	3					EA.	BRACKET, SS LIFT CYL 90DEG 1"W/STUD	1688166
66	16					EA.	SCREW, TAPPING #10A X 1.5" POH SC	1008515
67	6			16		EA.	SCREW, TAPPING #4A X 1" PPH SC	1010636
68			12			EA.	SCREW, TAPPING #6A X 1" PFH SC	1010354
69	3					EA.	ADAPTER, PLAS 1/4"MPT X 5/16"BARB BLK	1815708
70		1				EA.	INLET, SHORE POWER 125V-30A	1039213
71	1					EA.	WASHER, FENDER #10 X 1" SC	1260454
72	2					EA.	SCREW, MACHINE #10-24 X 3/4" PTH SC	1008705
73	3					EA.	SCREW, MACHINE #1/4-20 X 1.25" PPH SC	1260975
74	2					EA.	NUT, ACORN #10-24 SC	1330554
75	22					EA.	SCREW, TAPPING #8A X 1/2" PTH SC	1008812
76	3					EA.	BRACKET, ALUM BW-03 UNDER GUNNEL	1752662
77	1					EA.	LIVEWELL LID SUB-ASSY	09-416
78	1					EA.	HATCH, UTILITY 13"X 23" WHT	0682302
79	1					EA.	GUNNEL BOARD SUB-ASSY., STBD	09-226
80	2					EA.	LIGHT, RECESSED ROUND FROST LENS WHT	860320
81		1				EA.	ISOLATOR, BATTERY 2ALT/3BATT 70A	1033174
82	2					EA.	COVER, BW 05 TERM POST 5/16 STUDS	1794323
83	9	2				EA.	SCREW, TAPPING #10A X 3/4" PTH SC	1008762
84	1					EA.	HOLDER, DOWNRIGGER BALL STBD 2700R-02	1685224
85	8					EA.	SCREW, TAPPING #6A X 3/4" PFH SC	1010370
86			4			EA.	SPEAKER, COAXIAL 6.5" W/WHT CVR & WHT TWEETER	1690555
87						FT.	HOSE, PVC CLEAR DRAIN 7/16"	1041490
88	2					FT.	HOSE, CONDUIT/ SPLIT .75" FLAME RETARDANT	1501824
89	1					EA.	LANYARD, CABLE ANCHOR 3/16" SS	1104595
90	18					EA.	SCREW, MACHINE #1/4-20 X 1" POH SC	1213198
91	10					EA.	SCREW, MACHINE #8-32 X 1" PTH SC	1008713
92	10					EA.	NUT, HEX NYLON LOCK #8-32 SC	1260728
93	10					EA.	WASHER, FLAT #8 SC	1326297
94	1					EA.	FISHWELL COVER SUB-ASSY., STBD.	09-401
95	1					EA.	BOW STORAGE COVER SUB-ASSY., STBD.	09-408
96	2					EA.	BRACKET, ALUM BW2700R-02 SUPPORT INT STEP CNSL	1689609
97	1					EA.	PANEL, BW2700R-02 VALVE OPEN/CLOSE	1689640
98						EA.		
99	1					EA.	NUT, PVC RETAINING THRU-HULL	1042068
100	6					EA.	SCREW, MACHINE #10-24 X 1" PPH SC	1213222
101	3					EA.	BRACKET, BW-04 DOOR STOP SS	1764430
102						EA.		
103	1					PR.	CLIP, STRG DIVE LADDER BLK	1689694
104	2					EA.	SPACER, HDPE BW2700R-02 SWIM LADDER BLK	1689693
105	2					EA.	BRACKET, LIFT CYL SS OFFSET W/STUD	0995084
106	1					EA.	RAIL, GRAB 7/8" X 14.5" SS W/ 5/16 STUD	1617315
107	2					EA.	WASHER, FENDER 5/16" X 1.5" SC	1326180
108	2					EA.	NUT, HEX NYLON LOCK #5/16-18 SC	1007814
109	2					EA.	FLANGE, RIGGING BOOT 2" BLK	1818344
110	1					EA.	STOP, DOOR HOLDER RDR BLUE	1142348
111	1					EA.	SCREW, MACHINE #10-24 X 1/2" POH SC	1008432
112	2					EA.	SCREW, TAPPING #10 X 1.5" POH	1008515
113	2					EA.	WASHER, FENDER 1/4" X 1.25" SC	1260678
114	2					EA.	NUT, HEX #1/4-20 SC	1260694
115	2					EA.	WASHER, LOCK/SPLIT 1/4" SC	1260595
116	4					EA.	STEERING, BLKHD 3/4" FITTING MALE TO MALE	1773917
117	8					EA.	LATCH, CURTAIN QTR TURN FLANGED STUD NKL/BRS	0996587
118	1					EA.	CUSH, BW2700R-05 CNSL STRG POUCH WHT	1780451
119	1					EA.	HOOK, CABIN DOOR EYE ONLY	0996348
120	1					EA.	LATCH, SS TRANS DOOR W/O CATCH	1062884
121	4					EA.	SCREW, TAPPING #14A X 1" PFH SC	1008366
122	18					EA.	SCREW, MACHINE #10-24 X 3/4" PPH SC SELF-TAP	1781122
123	1					EA.	ACC PART, MERC AUTO PWR SW	1777516
124	3					EA.	BOOT, PVC TERM INSUL CAP RED	1689904
125	2					EA.	TRIM RING, 1" ID X 1 7/8" OD BLK	1642446
126	6					EA.	SCREW, TAPPING #6A X 3/4" POH SC	1008564
127	5					EA.	FRAME, BW-08 EDGE GUARD SS	1887724
128	2					EA.	CYLINDER, GAS SS 80PSI 20"EXT X 12" COMP	1396860
129	1					EA.	DECK PLATE, GAS CHR W/VENT (SHIM ONLY)	1098615
130	4					EA.	SCREW, TAPPING #8A X 1" PPH SC	1213115
128		1				EA.	ANCHOR, 14LB W/920LB HOLD	144964
129		1				EA.	ANCHOR HDWR, SS SWIVEL 1/4"-5/16" 1550LBS	1846735
130		1				EA.	ROPE/CHAIN KIT, LOFRANS 1/2"X 200'1/4"X 15'	1600642

STD.  
 OPT: 100-70450  
 OPT: 100-70054  
 OPT: 100-70085  
 OPT: 020-70272  
 OPT: 020-70289

DWG. NO: 06202  
 REV: BA  
 CURRENT ECD 07054359

THIS DOCUMENT IS THE PROPERTY OF BOSTON WHALER, INC. MFG. DEPT. EDGEWATER, FLORIDA. ALL RIGHTS ARE RESERVED. THIS DOCUMENT AND INFORMATION CONTAINED MUST NOT BE COPIED OR DISCLOSED TO OTHERS WITHOUT WRITTEN PERMISSION OF BOSTON WHALER, INC.

 <p><b>BOSTON WHALER</b>          PRODUCT DEV. &amp; MFG. ENGINEERING GROUP</p>	<p><b>DECK OUTFIT &amp; EQUIP. LOCATIONS</b></p>	<p>SCALE: NONE</p>	<p>DATE: 10/15/01</p>
<p>DRAWN: H. READ          DWG. TITLE:</p>	<p>BOAT MODEL  <b>2700R</b></p>	<p>MOLD NO.</p>	<p>DWG. NO.  <b>06202</b></p>
<p>INTERPRET DIMENSIONS AND TOLERANCES PER ANSI Y 14.5 UNLESS OTHERWISE SPECIFIED DIMENSIONS ARE IN INCHES.</p> <p>TOLERANCES: ANGLES = ± .5°    .X = ± .1    .X = ± 1/16          .XX = ± .03    .XX = ± .010</p> <p style="text-align: right;">DO NOT SCALE DRAWING</p>		<p>SHT. NO. 7 of 7</p>	

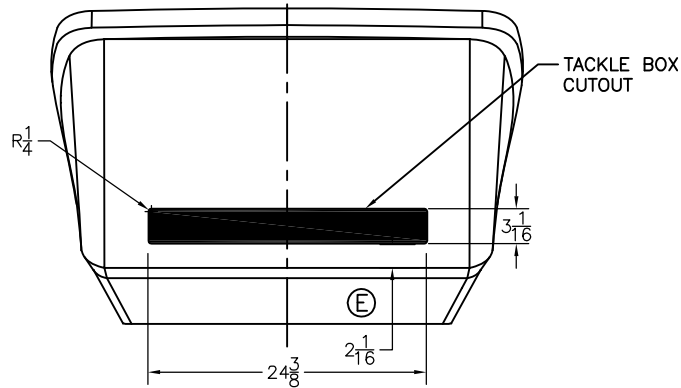
THIS DOCUMENT IS THE PROPERTY OF BOSTON WHALER, INC. MFG. DEPT., EDGEWATER, FLORIDA. ALL RIGHTS ARE RESERVED. THIS DOCUMENT AND INFORMATION CONTAINED MUST NOT BE COPIED OR DISCLOSED TO OTHERS WITHOUT WRITTEN PERMISSION OF BOSTON WHALER, INC.

DWG. NO: 09419 REV. W CURRENT ECD 07054294

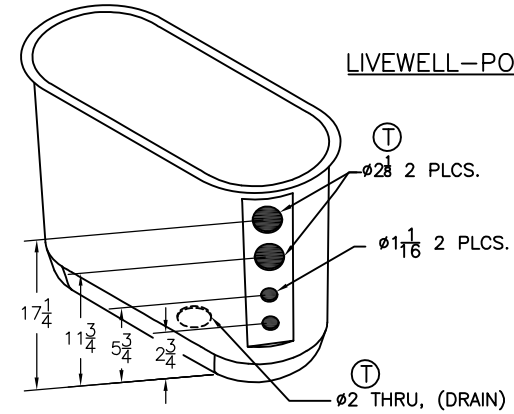
NOTES:

1. USE FIXTURES FOR HOLE CUTOUTS, SEE DWG. 01-201.
2. APPLY SEALANT TO ALL THRU-HULLS IN LIVEWELL.
3. REFER TO DWG. 06-101 FOR THRU-HULL LOCATIONS, & 06-103 FOR PLUMBING, & 09-301 FOR BOOT LOCATION IN FUEL TANK COVER TO ROUTE HOSES THRU.
4. REFER TO DWG. 01-251 FOR HOSE LENGTHS.

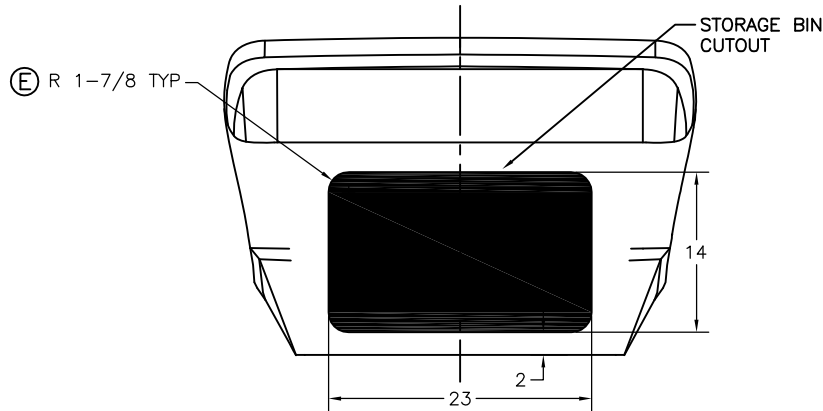
REVISIONS					
REV.	DESCR.	BY	DATE	APPVD.	ECN NO.
U	CHANGED PART NO. & DESCRIPTION FOR ITEM #51, SHEET 4.	JC	08/25/06	AVM	0608117
V	ADDED DRAIN DETAIL, SHEET 3	SLJ	11/13/06	DJW	06103735
W	ADDED DETAIL AND UPDATED DIMENSIONS ON SHOCK BRK. SHEET 2	SLJ	05/03/07	AVF	07054294



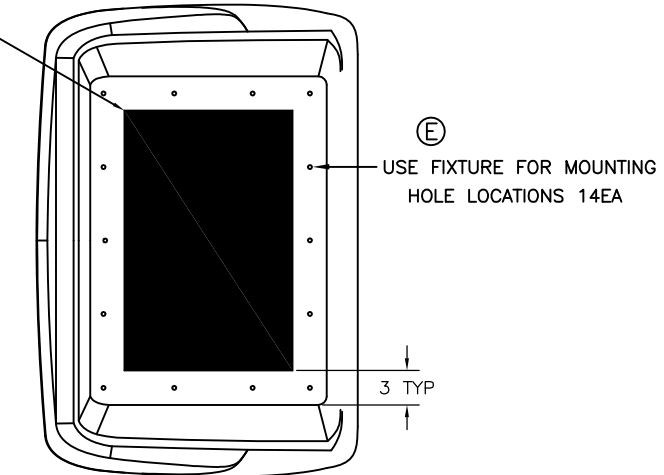
LEANING POST-BOTTOM AFT VIEW



TRIM CUTOUT



LEANING POST-BOTTOM FRONT VIEW



LEANING POST-INSIDE BOTTOM VIEW

INTERPRET DIMENSIONS AND TOLERANCES PER ANSI Y 14.5 UNLESS OTHERWISE SPECIFIED DIMENSIONS ARE IN INCHES.  
 TOLERANCES: ANGLES = ± .5° .XXX = ± .010  
 .X = ± .1 .XX = ± .03 X = ± 1/16  
 DO NOT SCALE DRAWING



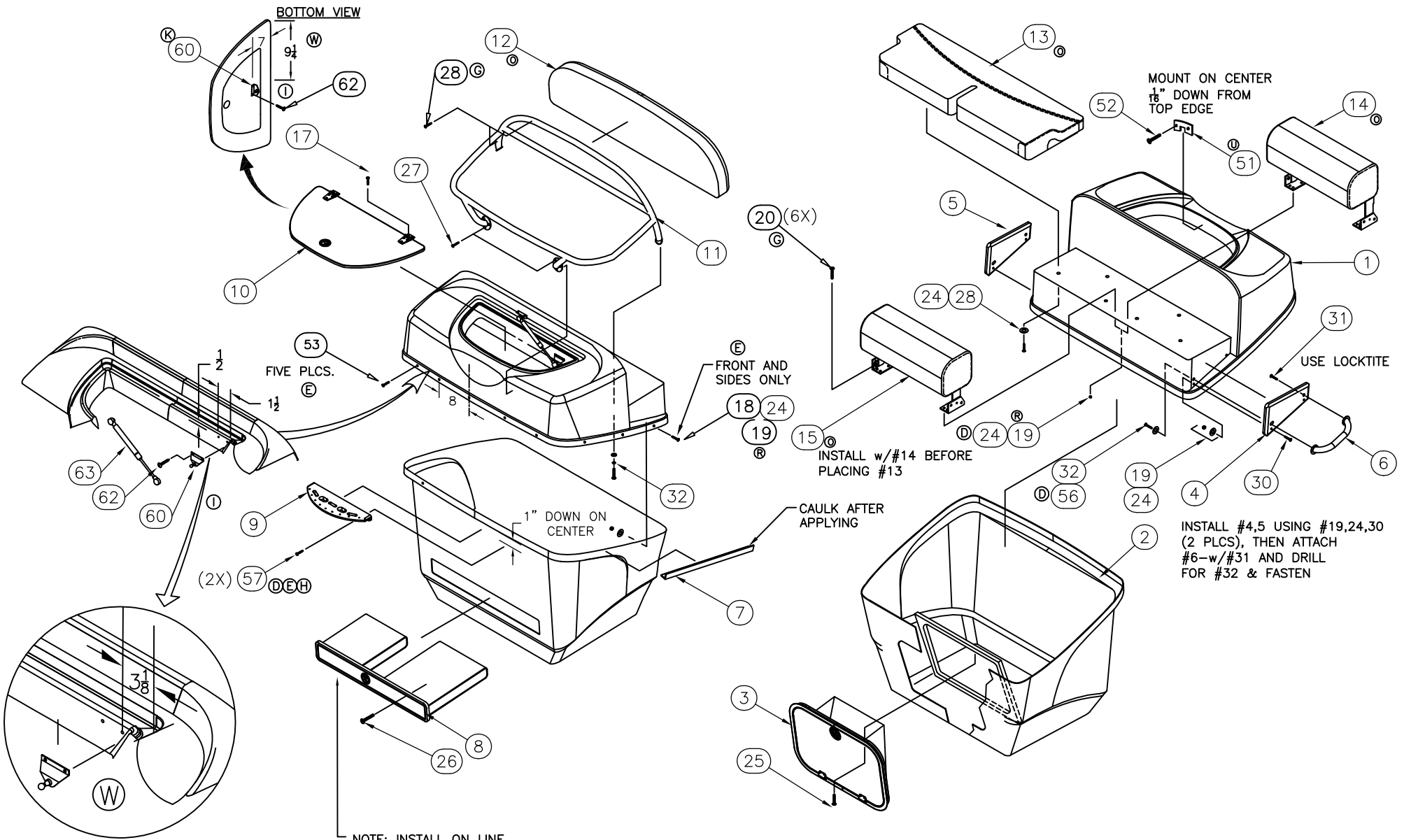
CHECKED: R. AVILA	DATE: 02/18/02	DRAWN: R CRAVEN	DATE: 02/15/02	SCALE: NONE	BOAT MODEL 2700R	MOLD NO.
APPD: K. RANIERI	DATE: 02/18/02	DWG. TITLE: LEANING POST/ LIVEWELL ASSEMBLY			INIT. REL. ECN NO: 020905	DWG. NO: 09419
DESIGN: L. SCHOLZ	DATE: 02/18/02					SHT. NO. 1 OF 4
INT. ENG: M. GATICA	DATE: 06/10/03					

THIS DOCUMENT IS THE PROPERTY OF BOSTON WHALER, INC. MFG. DEPT., EDGEWATER, FLORIDA. ALL RIGHTS ARE RESERVED. THIS DOCUMENT AND INFORMATION CONTAINED MUST NOT BE COPIED OR DISCLOSED TO OTHERS WITHOUT WRITTEN PERMISSION OF BOSTON WHALER, INC.

DWG. NO:  
09419

REV.  
W

CURRENT ECD  
07054294



NOTE: INSTALL ON LINE.



INTERPRET DIMENSIONS AND TOLERANCES PER ANSI Y 14.5 UNLESS OTHERWISE SPECIFIED DIMENSIONS ARE IN INCHES.  
TOLERANCES: ANGLES = ± .5° .XXX = ± .010  
.X = ± .1 .X = ± 1/16  
.XX = ± .03  
DO NOT SCALE DRAWING

DRAWN: R CRAVEN DATE: 02/15/02 SCALE: NONE  
DWG. TITLE: LEANING POST/ LIVEWELL ASSEMBLY

BOAT MODEL: 2700R  
INIT. REL. ECN NO: 020905

MOLD NO.  
DWG. NO: 09419 SHT. NO. 2 of 4

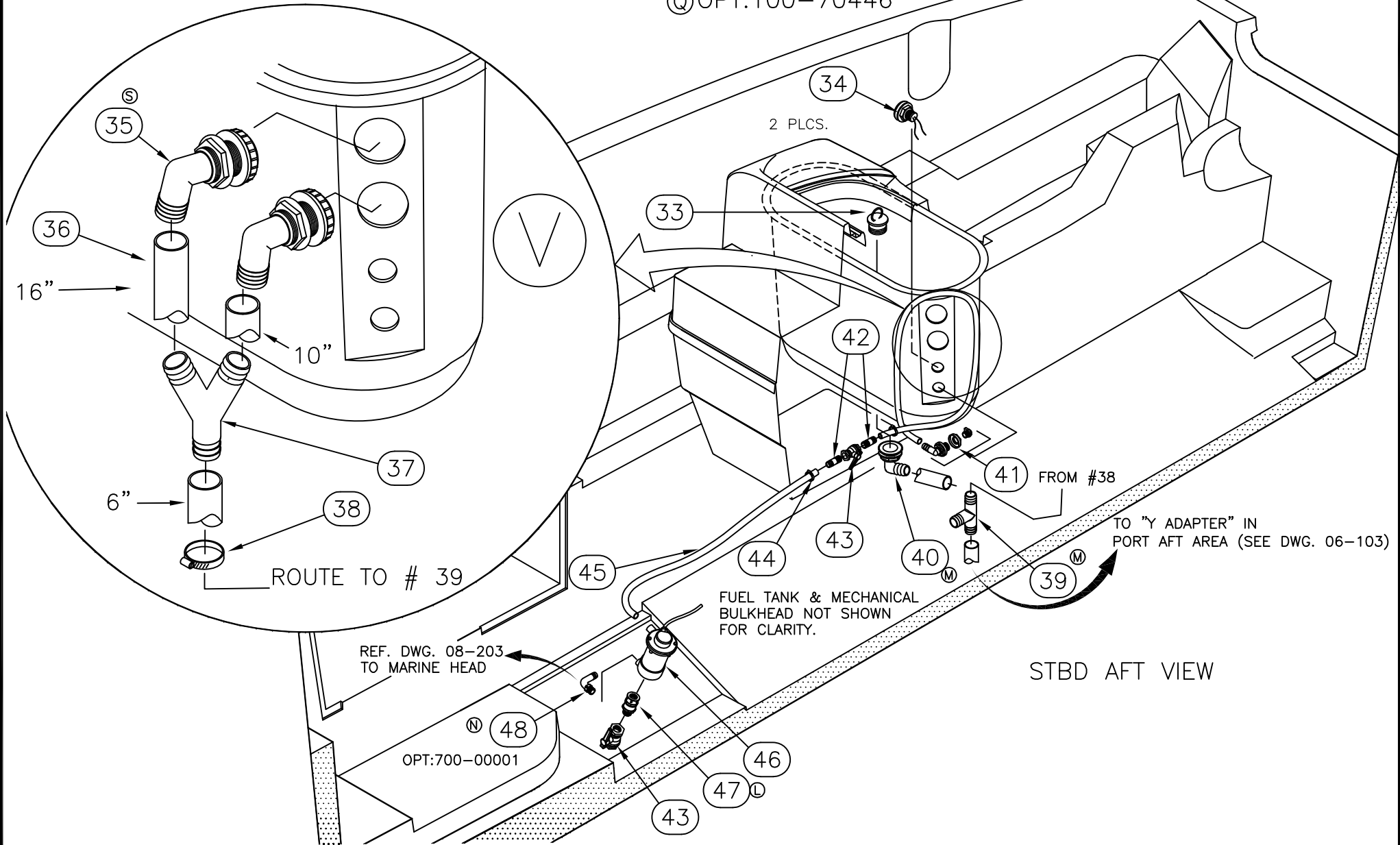
THIS DOCUMENT IS THE PROPERTY OF BOSTON WHALER, INC. MFG. DEPT., EDGEWATER, FLORIDA. ALL RIGHTS ARE RESERVED. THIS DOCUMENT AND INFORMATION CONTAINED MUST NOT BE COPIED OR DISCLOSED TO OTHERS WITHOUT WRITTEN PERMISSION OF BOSTON WHALER, INC.

DWG. NO:  
09419

REV.  
W

CURRENT ECD  
07054294

① LEANING POST W/LIVEWELL  
② OPT:100-70446



INTERPRET DIMENSIONS AND TOLERANCES PER ANSI Y 14.5 UNLESS OTHERWISE SPECIFIED DIMENSIONS ARE IN INCHES.  
TOLERANCES: ANGLES = ± .5° .XXX = ± .010  
.X = ± .1 .X = ± 1/16  
.XX = ± .03  
DO NOT SCALE DRAWING

DRAWN: R CRAVEN DATE:02/15/02 SCALE: NONE  
DWG. TITLE: LEANING POST/ LIVEWELL ASSEMBLY

BOAT MODEL 2700R	MOLD NO.
INIT. REL. ECN NO: 020905	DWG. NO: 09419
SHT. NO. 3 of 4	

THIS DOCUMENT IS THE PROPERTY OF BOSTON WHALER, INC. MFG. DEPT. EDGEWATER, FLORIDA. ALL RIGHTS ARE RESERVED. THIS DOCUMENT AND INFORMATION CONTAINED MUST NOT BE COPIED OR DISCLOSED TO OTHERS WITHOUT WRITTEN PERMISSION OF BOSTON WHALER, INC.

DWG. NO:  
09419

REV.  
W

CURRENT ECD  
07054294

Parts List					
ITEM	QTY	U/M	DESCRIPTION	B.W.I.	NO.
1	1	EA.	FIBERGLASS PART, LEANING POST TOP	22K07700	
2	1	EA.	FIBERGLASS PART, LEANING POST BOTTOM	22K07100	
3	1	EA.	BIN, HDPE BW2700R-02 STRG LEAN POST	1690079	
4	1	EA.	TRIM, HDPE BW2700R-02 L/P HELM SEAT PORT	1690085	
5	1	EA.	TRIM, HDPE BW2700R-02 L/P HELM SEAT STBD	1690086	
6	2	EA.	RAIL, GRAB BW-02 8"X 1"SS N/STUD 5/16-18	1688736	
7	5	FT.	MOLDING, VINYL "L" OFF-WHT W/ADH	1020924	
8	1	EA.	BOX, HDPE BW2700R-02 TACKLE 2-DRWR	1690080	
9	1	EA.	HOLDER, HDPE BW2700R-02 TOOLS PREP STA/L POST	1689903	
10	1	EA.	LID, HDPE BW2700R-02 LIVWELL SEAFM	1689900	
12	1	EA.	CUSH, BW2700R-05 HELM SEAT B/R	1781866	
11	1	EA.	RAIL, GRAB BW2700R-02 B/R LEAN POST SS	1689780	
13	1	EA.	CUSH, BW2700R-05 LEAN POST HELM SEAT	1781867	
14	1	EA.	CUSH, BW2700R-05 FLIP-UP BLSTR HELM SEAT PORT	1781862	
15	1	EA.	CUSH, BW2700R-05 FLIP-UP BLSTR HELM SEAT STBD	1781863	
16	0	EA.	SCREW, MACHINE #1/4-20 X 2" PPH SC	1008614	
17	4	EA.	SCREW, TAPPING #8A X 3/4" POH SC	1213057	
18	20	EA.	SCREW, MACHINE #1/4-20 X 1" PFH SC	1009950	
19	36	EA.	NUT, LOCK #1/4-20 SC STD PATT	1009786	
20	6	EA.	SCREW, MACHINE 1/4-20 X 1.5 PFH SC	1215052	
21	8	EA.	WASHER, FLAT #8 SC	1326297	
22	8	EA.	NUT, LOCK 8-32 SC	1009927	
24	26	EA.	WASHER, FLAT #1/4" SC	1260769	
25	12	EA.	SCREW, TAPPING #6A X 3/4" PFH SC	1010370	
26	8	EA.	SCREW, TAPPING #10A X 1.5" PFH SC	1010248	
27	6	EA.	SCREW, MACHINE #1/4-20 X 1" PPH SC	1008580	
28	10	EA.	SCREW, TAPPING #14A X 1.5" PPH SC	1008697	
30	4	EA.	SCREW, MACHINE #1/4-20 X 1.5" POH SC	1010438	
31	4	EA.	SCREW, MACHINE #5/16-18 X 1.25" PFH SC	1326164	
32	4	EA.	SCREW, CAP #5/16-18 X 1-1/4" HEX HD SC	1008044	
33	2	EA.	PLUG, DRAIN 1.5" BLK	0907279	
34	1	EA.	LIGHT, COURTESY WATERPROOF FRONT MNT W/NUT	1078625	
35	2	EA.	DRAIN, 1.5" 90DEG BARB W/SCRN	1792726	
36	0	FT.	HOSE, SANI/SMOOTH WALL 1.5"	0123844	
37	1	EA.	COUPLING, PLAS Y 1.5" BLK	1747278	
38	12	EA.	CLAMP, HOSE #24 1"-2" SS .505	0256693	
39	1	EA.	TEE, PVC 1.5"BARB X 1.5"BARB X 1.5"BARB BLK	1747281	
40	1	EA.	THRU-HULL, PLAS 1.5" TUBE X 90DEG	0791673	
41	1	EA.	DRAIN, BAITWELL 3/4"ELBOW W/HD WHT	1688420	
42	2	EA.	TAILPIECE, MARELON 3/4"MPT X 3/4"BARB	0567925	
43	2	EA.	VALVE, MARELON BALL 2-WAY 3/4"	0557959	
44	4	EA.	CLAMP, HOSE #10 1/2"-1 1/8" SS .505	0263954	
45	0	FT.	HOSE, GEN PURPOSE 3/4"	0123810	
46	1	EA.	PUMP, LIVWELL 12V BAIT SENTRY 800GPH	1118751	
47	1	EA.	ADAPTER, NYLON 3/4"MPT X 3/4"FPT BLK	1756192	
48	1	EA.	ELBOW, NYLON 1/2"MPT X 3/4"BARB X 90DEG	1324573	
49	0	EA.	SCREW, MACHINE #1/4-20 X 1.5" PPH SC	1008598	
50	2	EA.	WASHER, LOCK/SPLIT 1/4" SC	1260595	
51	1	EA.	BRACKET, BW-07 LATCH STRIKE W/BEND SS	1873367	
52	2	EA.	SCREW, TAPPING #8A X 5/8" PTH SC	1010925	
53	3	EA.	SCREW, TAPPING #14A X 1" PFH SC	1008366	
54	1	EA.	STRAP, NYLON 1"X 6.5" DOOR RESTRAINT BLK	1688675-	
55	2	EA.	SNAP STUD, W/#8 X 3/8" PH BR/NI/SS	0203786-	
56	8	EA.	WASHER, LOCK/SPLIT 5/16" SC	1260611	
57	2	EA.	SCREW, MACHINE #10-32 X 1" PTH SC	1742769	
58	2	EA.	WASHER, FLAT #8 SC	1326297	
59	2	EA.	NUT, HEX NYLON LOCK #8-32 SC	1260728	
60	2	EA.	BRACKET, LIFT CYL SS OFFSET W/STUD 2-HOLE	0995084	
61	1	EA.	BRACKET, SS LIFT CYL 90DEG 0.70" STUD RT	0817676-	
62	4	EA.	SCREW, TAPPING #8A X 1/2" PTH SC	1008812	
63	1	EA.	CYLINDER, GAS SS 30PSI 10"EXT X 7"COMP	1755819	

(C) (E) (R) (D) (E) (E) (D) (E) (G) (E) (D) (E) (S) (F) (F) (L) (N) (G) (U) (G) (K) (K) (G) (D) (H) (D) (D) (K) (I) (K) (I) (I) (I)

MOLD NO.		BOAT MODEL		SCALE: NONE		DATE: 02/15/02		DRAWN: R CRAVEN		DWG. TITLE:	
09419		2700R		NONE		02/15/02		R CRAVEN		LEANING POST/ LIVWELL ASSEMBLY	
INIT. REL. ECD NO:		DWC. NO:		SCALE:		DATE:		DRAWN:		DWG. TITLE:	
020905		09419								LEANING POST/ LIVWELL ASSEMBLY	
INTERPRET DIMENSIONS AND TOLERANCES PER ANSI Y 14.5 UNLESS OTHERWISE SPECIFIED DIMENSIONS ARE IN INCHES.				TOLERANCES:				DO NOT SCALE DRAWING			
ANGLES = ± .5°				XXX = ± .010							
.X = ± .1				X = ± 1/16							
.XX = ± .03											

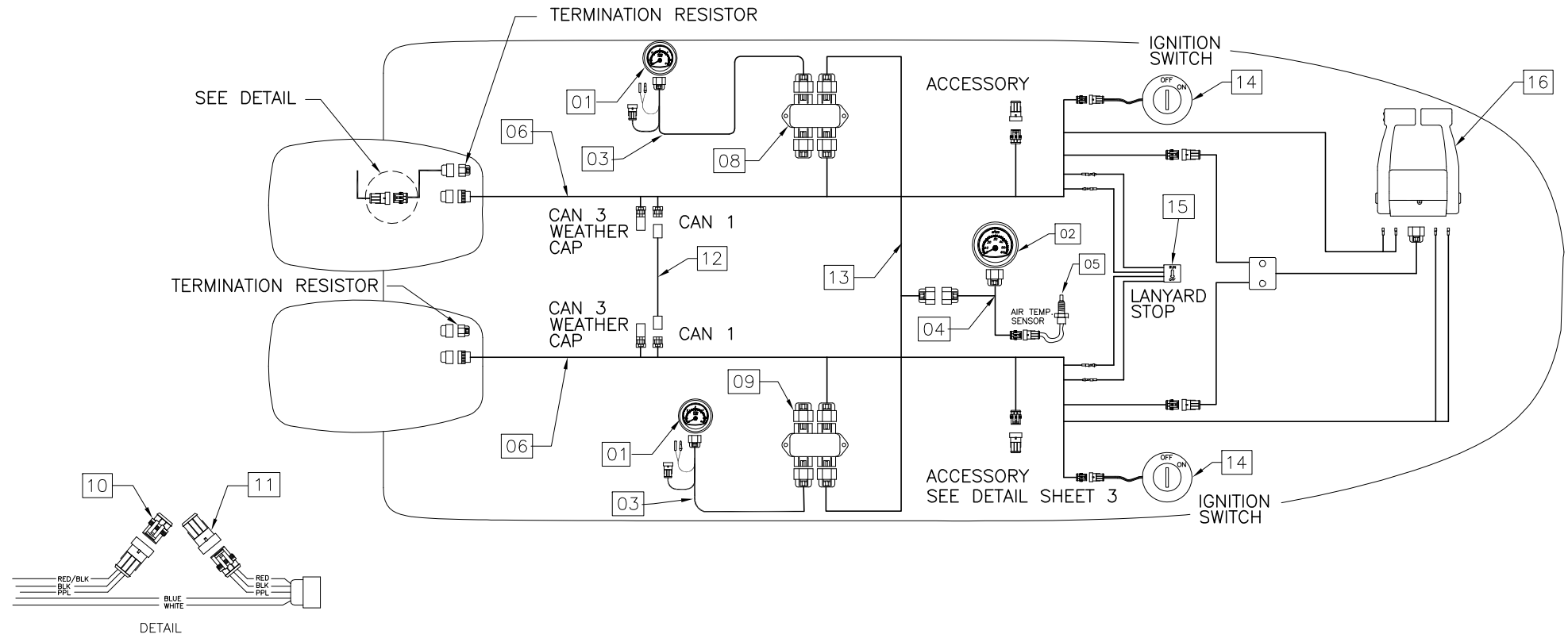


THIS DOCUMENT IS THE PROPERTY OF BOSTON WHALER, INC. MFG. DEPT., EDGEWATER, FLORIDA. ALL RIGHTS ARE RESERVED. THIS DOCUMENT AND INFORMATION CONTAINED MUST NOT BE COPIED OR DISCLOSED TO OTHERS WITHOUT WRITTEN PERMISSION OF BOSTON WHALER, INC.

DWG. NO: 07212 REV. H CURRENT ECD 07064395

- NOTES:
- REFER TO SHEET 2 FOR PADDLE WHEEL, OIL TANK, AND FUEL TANK WIRING DETAIL.
  - THE CAN BUS POWER (3 WIRE) CONNECTOR ON THE PORT ENGINE MUST BE DISCONNECTED. SEAL WITH CAP SEALS.

REVISIONS					
REV.	DESCR.	BY	DATE	APPVD.	ECN NO.
E	MYE '06: UPDATED SCHEMATIC (SHT 1) UPDATED BOM (SHT 2) ADDED SHT 2. (SEE MODEL SPACE FOR OLD SCHEMATIC/OLD BOM) MYE '06: ADDED DETAIL & SHT 3; #18 WAS 1477934	MRZ	05/11/05	MG	050517
F	MYE 2006: UPDATE SCHEMATIC ON PAGE 2	MRZ	06/01/05	MG	050582
G	MODIFY DRAWING BORDER TO AN ATTRIBUTED BORDER	TS	02/24/06	AVM	060228
H	CHANGED OPT NOTE SHEET 2	SLJ	06/26/07	AVM	07064395



**WARNING!**

CORRECT INSTALLATION AND LOCATION OF THE TERMINATOR RESISTORS ARE CRITICAL FOR PROPER SYSTEM FUNCTION. IMPROPER INSTALLATION MAY RESULT IN COMMUNICATION ERRORS.

**WARNING!**

ALL UNUSED JUNCTION BOX PORTS MUST BE CAPPED (SEALED) USING WEATHER CAPS. FAILURE TO CAP UNUSED PORTS MAY RESULT IN CORROSION LEADING TO IMPROPER FUNCTION.

INTERPRET DIMENSIONS AND TOLERANCES PER ANSI Y 14.5 UNLESS OTHERWISE SPECIFIED DIMENSIONS ARE IN INCHES.  
 TOLERANCES: ANGLES = ± .5° .XXX = ± .010  
 .X = ± .1 X = ± 1/16  
 .XX = ± .03 X = ± 1/16  
 DO NOT SCALE DRAWING

<p>PRODUCT DEV. &amp; MFG. ENGINEERING GROUP</p>	CHECKED: R.A.	DATE: 1/10/02	DRAWN: ROB CLIFTON	DATE: 01/10/02	SCALE: NONE	BOAT MODEL	MOLD NO.
	APPD: R CLIFTON	DATE: 1/10/02	DWG. TITLE:			2700R	
	DESIGN: L. SCHOLZ	DATE: 1/10/02	DIAGRAM SMARTCRAFT DUAL DELUX			INIT. REL. ECN NO:	DWG. NO:
	INT. ENG: M. GATICA	DATE: 1/19/02				010624	07212
							1 of 3

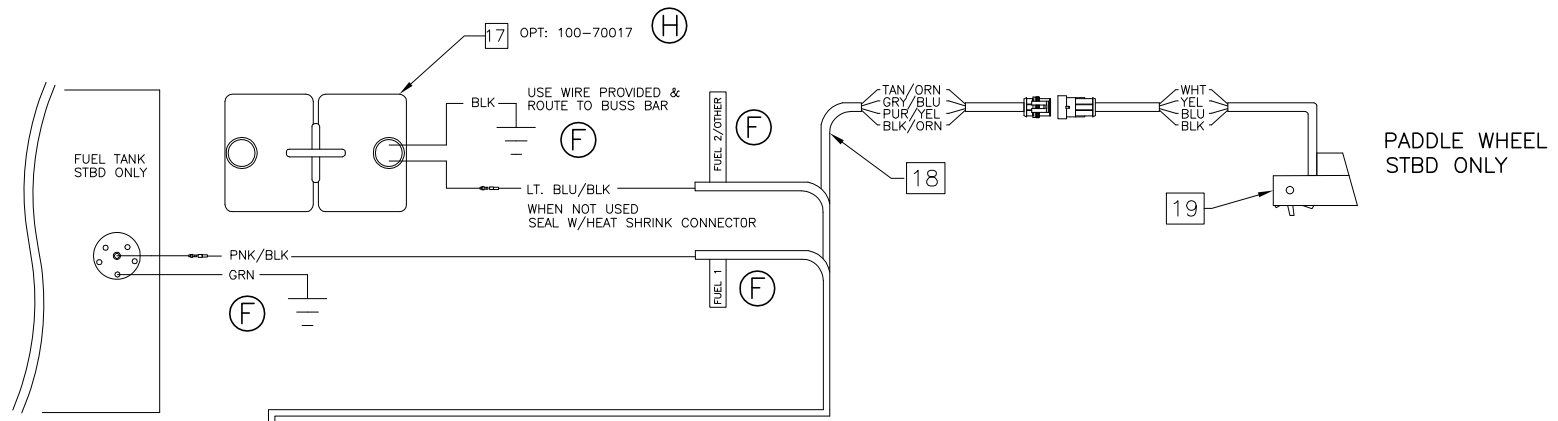
THIS DOCUMENT IS THE PROPERTY OF BOSTON WHALER, INC. MFG. DEPT., EDGEWATER, FLORIDA. ALL RIGHTS ARE RESERVED. THIS DOCUMENT AND INFORMATION CONTAINED MUST NOT BE COPIED OR DISCLOSED TO OTHERS WITHOUT WRITTEN PERMISSION OF BOSTON WHALER, INC.

DWG. NO:  
07212

REV.  
H

CURRENT ECD  
07064395

NOTES:



BILL OF MATERIALS

ITEM	QTY.	U/M	DESCRIPTION	B.W.I. NO.
01	2	EA	SYSTEM TACHOMETER	----
02	1	EA	SYSTEM SPEEDOMETER	----
03	2	EA	TACH HARNESS SC1000SL-3	----
04	1	EA	SPEEDO HARNESS SC1000-3	----
05	1	EA	MERCURY AIR TEMP SENSOR	-----
(B) 06	2	EA	HARNESS, IGN/CHOKE ASSY 14 PIN 20'	1802105
<del>07</del>	<del>2</del>	<del>EA</del>	<del>HARNESS, MERC DATA SMARTCRAFT 1000-1RSL-20'</del>	<del>1507268</del>
08	2	EA	ACC PART, MERC S-CRFT JUNC BOX 4-WAY	1507326
09	2	EA	ACC PART, MERC S-CRFT WTHR CAP 10POS CAP	1507342
(D)(B) 10	1	EA	CAP SEAL MALE	<del>1610518</del>
(D) 11	1	EA	CAP SEAL FEMALE	<del>1610500</del>
(E) 12	1	EA	HARNESS, MERC CAN 1 LINK	1804875
(E) 13	1	EA	HARNESS, MERC DUAL ENGINE INST ADP	1793838
(E) 14	2	EA	SWITCH, IGN ASSY 4-POSITION N/HOUSING	1803407
(E) 15	1	EA	ACC PART, MERC SWITCH (DUAL LANYARD STOP)	1477983
(E) 16	2	EA	CONTROL, CNSL MNT DUAL N/HARNESS 4000 GEN II	1752912
(E) 17	2	EA	TANK, OIL VRO W/HDWR W/SEND O/B 3 GAL DIGITAL	1477926
(E) 18	2	EA	HARNESS, ENG MERC DIGITAL OIL/FUEL/PADDLE '06	1806644
(E) 19	1	EA	ACC PART, MERC SPEEDOMETER/TEMP DIG	1477942
(E) 20	1	EA	ACC PART, MERC ACC HARNES RELAY AUX POWER	1781346



INTERPRET DIMENSIONS AND TOLERANCES PER ANSI Y 14.5 UNLESS OTHERWISE SPECIFIED DIMENSIONS ARE IN INCHES.  
 TOLERANCES: ANGLES = ± .5° .XXX = ± .010  
 .X = ± .1 X = ± 1/16  
 .XX = ± .03  
 DO NOT SCALE DRAWING

DRAWN: ROB CLIFTON	DATE: 01/10/02	SCALE: NONE	BOAT MODEL 2700R	MOLD NO.
DWG. TITLE: DIAGRAM SMARTCRAFT DUAL DELUX			INIT. REL. ECN NO: 010624	DWG. NO: 07212
				SHT. NO. 2 of 3

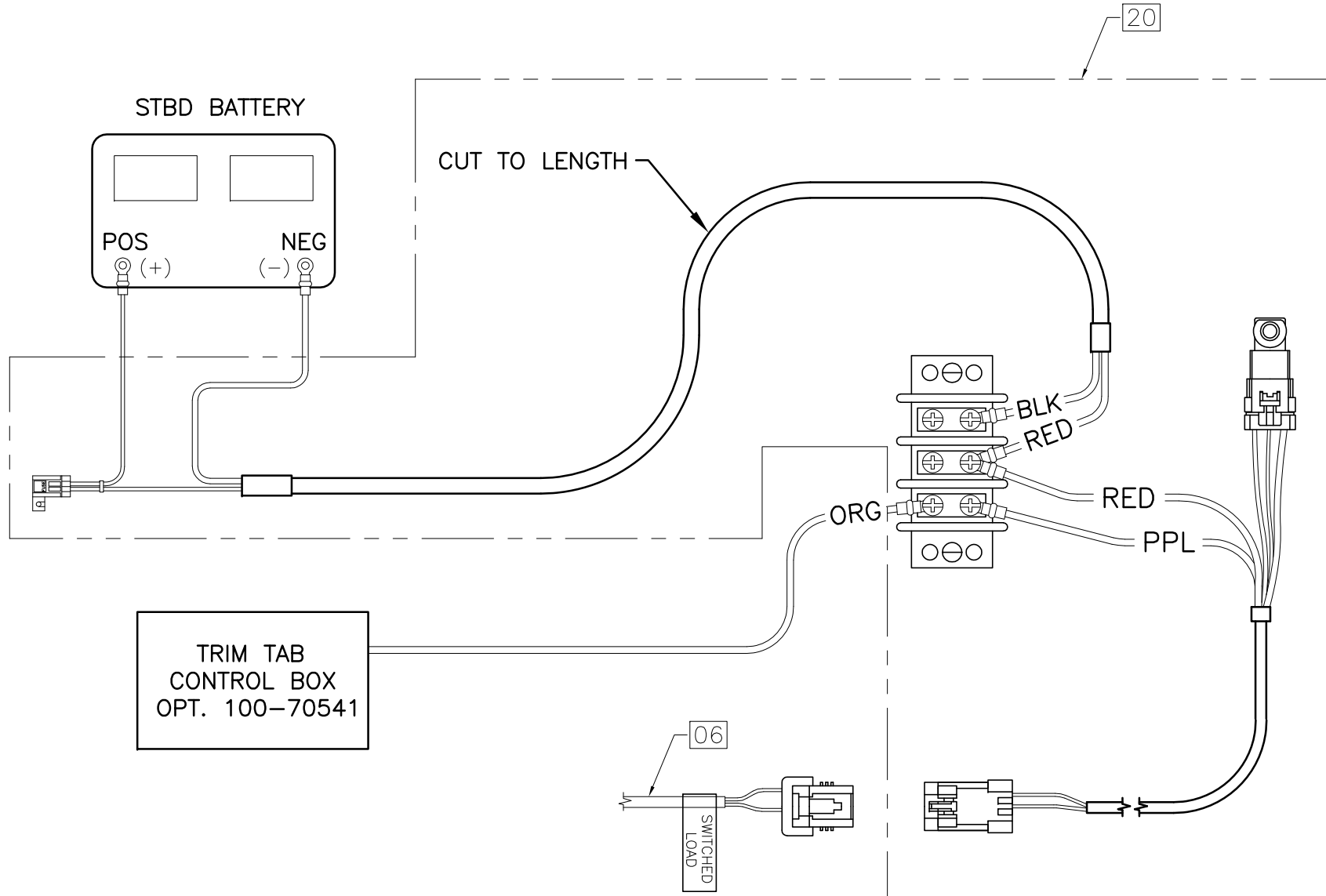
THIS DOCUMENT IS THE PROPERTY OF BOSTON WHALER, INC. MFG. DEPT., EDGEWATER, FLORIDA. ALL RIGHTS ARE RESERVED. THIS DOCUMENT AND INFORMATION CONTAINED MUST NOT BE COPIED OR DISCLOSED TO OTHERS WITHOUT WRITTEN PERMISSION OF BOSTON WHALER, INC.

DWG. NO:  
07212

REV.  
H

CURRENT ECD  
07064395

NOTES:



OPT. 100-70541 ELECTRIC TRIM TABS W/ INDICATOR



INTERPRET DIMENSIONS AND TOLERANCES PER ANSI Y 14.5 UNLESS OTHERWISE SPECIFIED DIMENSIONS ARE IN INCHES.  
 TOLERANCES: ANGLES = ± .5° .XXX = ± .010  
 .X = ± .1 X = ± 1/16  
 .XX = ± .03  
 DO NOT SCALE DRAWING

DRAWN: ROB CLIFTON

DATE: 01/10/02

SCALE: NONE

BOAT MODEL

MOLD NO.

2700R

DWG. TITLE:

DIAGRAM SMARTCRAFT DUAL DELUX

INIT. REL. ECN NO:

DWG. NO:

SHT. NO.

010624

07212

3 of 3



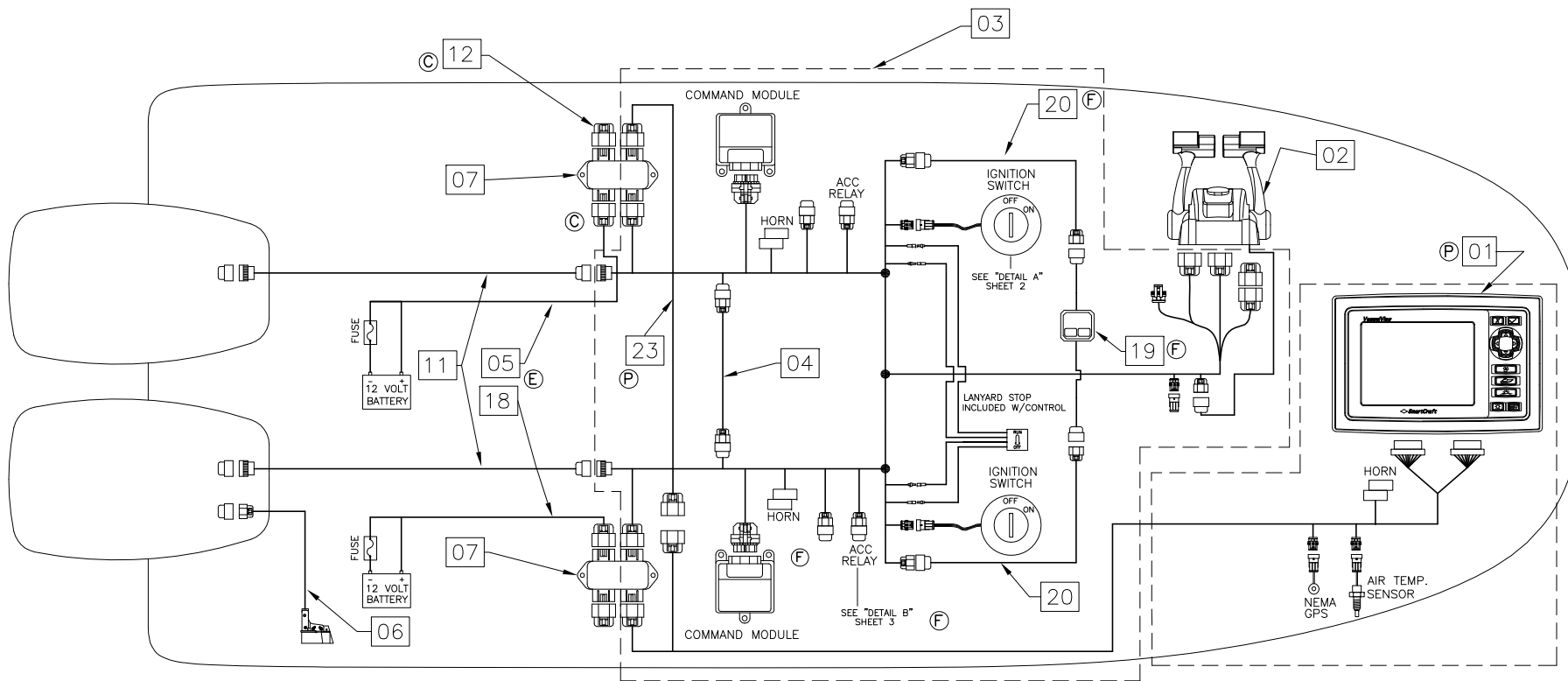
THIS DOCUMENT IS THE PROPERTY OF BOSTON WHALER, INC. MFG. DEPT., EDGEWATER, FLORIDA. ALL RIGHTS ARE RESERVED. THIS DOCUMENT AND INFORMATION CONTAINED MUST NOT BE COPIED OR DISCLOSED TO OTHERS WITHOUT WRITTEN PERMISSION OF BOSTON WHALER, INC.

DWG. NO: 07215  
 REV. S  
 CURRENT ECD 07064395

REVISIONS					
REV.	DESCR.	BY	DATE	APPVD.	ECN NO.
M	ADD OPT. 020-70289	GD	10/18/05	ME	05-07-28
N	MYE '07 UPDATED PART NUMBER 1849607 WAS 1802840	TW	07/06/06	MG	0606165
O	MYE '07 ITEM #2 WAS 1772359, ITEM#7 QTY WAS 2, ADD ITEM#22 ADDED JUNCTION BOX INTO WIRING SCHEMATIC PAGE 1	TW	07/18/06	MG	0606166
P	MYE '08: CHANGED WIRING DIAGRAM FOR VESSEL VIEW, ITEM #1 WAS 1807705, ADDED ITEM #23, DELETED ITEM #22 PAGES 1 AND 2, QTY #12 WAS 5, QTY #7 WAS 3	JAH	04/13/07	AVM	07044157
Q	MYE '08: PG 3 DELETED OPT. 100-70541. NOW STANDARD	MBH	04/16/07	RA	07044160
R	DELETED OPTION 020-70250, MADE 020-70272 STANDARD	RJW	06/01/07	RA	07054359
S	DELETE ALL (EU) VERADO ENGINE OPT #'S, ADD VERADO (ED) OPT #'S	SLJ	06/25/07	RA	07064395

1. REFER TO SHEET 2 FOR PADDLE WHEEL, OIL TANK, AND FUEL TANK WIRING DETAIL.

©©© STD: 020-70272 225 CXL DUAL VERADO 4-STROKE (DTS) MERCURY



INTERPRET DIMENSIONS AND TOLERANCES PER ANSI Y 14.5 UNLESS OTHERWISE SPECIFIED DIMENSIONS ARE IN INCHES.  
 TOLERANCES: ANGLES = ± .5° .XXX = ± .010  
 .X = ± .1 X = ± 1/16  
 .XX = ± .03 X = ± 1/16  
 DO NOT SCALE DRAWING

**WARNING!**  
 CORRECT INSTALLATION AND LOCATION OF THE TERMINATOR RESISTORS ARE CRITICAL FOR PROPER SYSTEM FUNCTION. IMPROPER INSTALLATION MAY RESULT IN COMMUNICATION ERRORS.

**WARNING!**  
 ALL UNUSED JUNCTION BOX PORTS MUST BE CAPPED (SEALED) USING WEATHER CAPS. FAILURE TO CAP UNUSED PORTS MAY RESULT IN CORROSION LEADING TO IMPROPER FUNCTION.



CHECKED: R. AVILA	DATE: 04/21/03	DRAWN: R. LEE	DATE: 04/15/03	SCALE: NONE	BOAT MODEL	MOLD NO.
APPD: K. RANIERI	DATE: 04/21/03	DWG. TITLE:			2700R	
DESIGN: L. SCHOLZ	DATE: 04/21/03	Diagram, Smartcraft Dual System View w/DTS			INIT. REL. ECN NO:	DWG. NO:
INT. ENG: M. GATICA	DATE: 06/10/03				030346	07215
					SHT. NO.	1 of 3

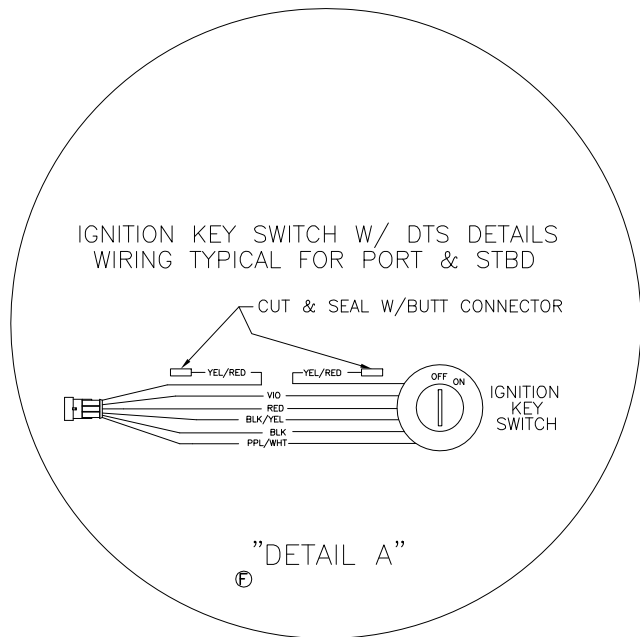
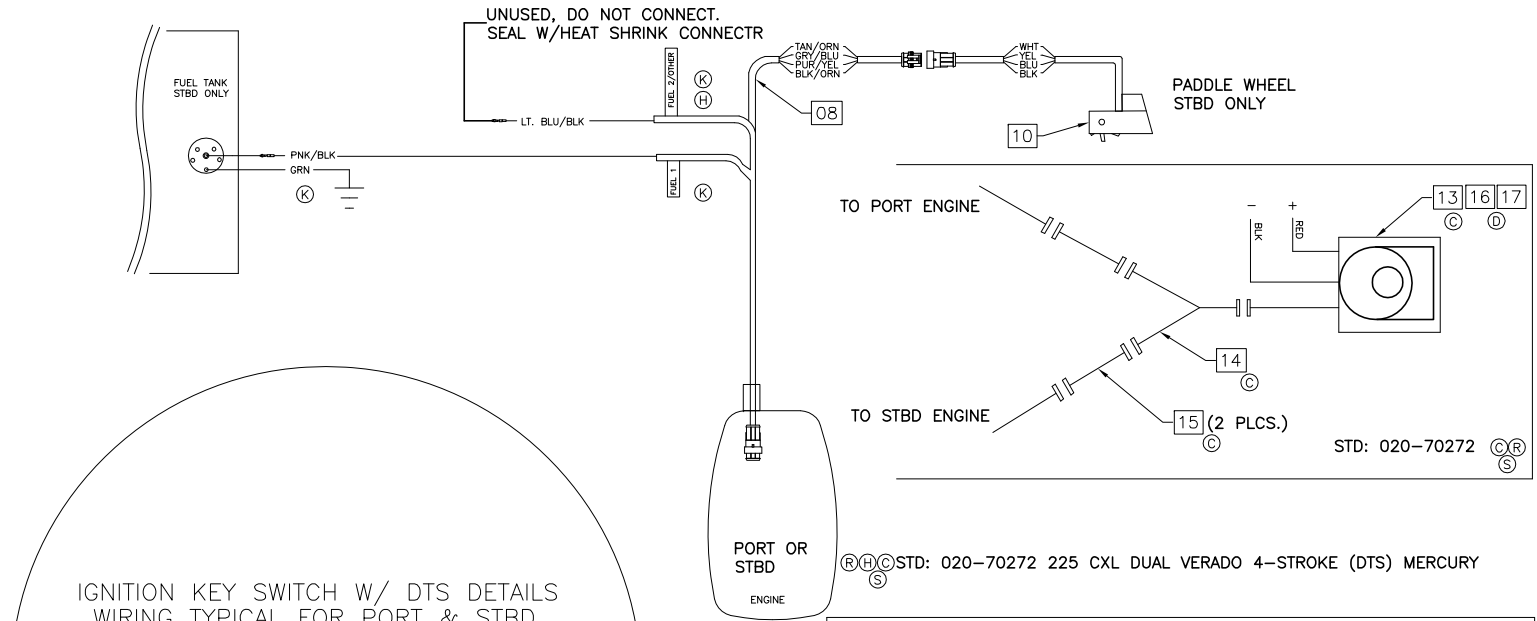
THIS DOCUMENT IS THE PROPERTY OF BOSTON WHALER, INC. MFG. DEPT., EDGEWATER, FLORIDA. ALL RIGHTS ARE RESERVED. THIS DOCUMENT AND INFORMATION CONTAINED MUST NOT BE COPIED OR DISCLOSED TO OTHERS WITHOUT WRITTEN PERMISSION OF BOSTON WHALER, INC.

DWG. NO:  
07215

REV.  
S

CURRENT ECD  
07064395

\* ADDITIONAL PART SUPPLIED WITH STEERING PUMP # 1772668



BILL OF MATERIALS				
ITEM	QTY.	U/M	DESCRIPTION	B.W.I. NO.
01	1	EA	ACC PART, MERC S-CRFT VESSEL VIEW	1890259
02	1	EA	CONTROL, CNSL MNT DUAL DTS CANPAD GEN I	1849602
03	1	EA	ACC PART, MERC DUAL CNSL CMM KIT GEN I	1849607
04	1	EA	CAN LINK HARNESS	<del>1753564</del>
05	1	EA	HARNESS, HELM POWER	1740394
06	1	EA	DEPTH/TEMPERATURE SENSOR	1738329
07	2	EA	JUNCTION BOX (4)	1507326
08	1	EA	HARNESS, ENG MERC DIGITAL OIL/FUEL/PADDLE '06	1806644
09	2	EA	OIL TANK W/SENDER	<del>1477926</del>
10	1	EA	PADDLE WHEEL	1477942
11	2	EA	HARNESS, ENG MERC DATA 14-PIN 20'	1772365
12	2	EA	ACC PART, MERC S-CRFT WTHR CAP 10POS CAP	1507342
13	1	EA	STEERING, POWER PACK MERC W/12' LEAD	1772668
14	1	EA	HARNESS, ENG MERC DUAL ADAPTER SIGNAL	1772673
15	2	EA	HARNESS, MERC SIGNAL POWER PACK ENG 10'	1772669
16	1	EA	ACC PART, MERC 90A FUSE ASSY	1784445
17	1	EA	ACC PART, MERC NUT NYL LOCK #1/4-28 CAD PLT	1785549
18	1	EA	HARNESS, MERC HELM POWER 14'	1790112
19	1	EA	SWITCH, START/STOP DUAL ENG KIT DTS	1781396
20	2	EA	ACC PART, EXT HARNESS 5'MERC START/STOP	1788485
21	1	EA	ACC PART, MERC ACC HARNES RELAY AUX POWER	1781346
22	1	EA	HARNESS, MERC 10 PIN FEMALE TO FEMALE ADP	<del>1849960</del>
23	1	EA	HARNESS, MERC DUAL V V IGN POWER	1891375



INTERPRET DIMENSIONS AND TOLERANCES PER ANSI Y 14.5 UNLESS OTHERWISE SPECIFIED DIMENSIONS ARE IN INCHES.  
TOLERANCES: ANGLES = ± .5° .XXX = ± .010  
.X = ± .1 X = ± 1/16  
.XX = ± .03

DO NOT SCALE DRAWING

DRAWN: R. LEE DATE: 04/15/03 SCALE: NONE  
DWG. TITLE: Diagram, Smartcraft Dual System View w/DTS

BOAT MODEL: 2700R MOLD NO.:  
INIT. REL. ECN NO: 030346 DWG. NO: 07215 SHT. NO: 2 of 3

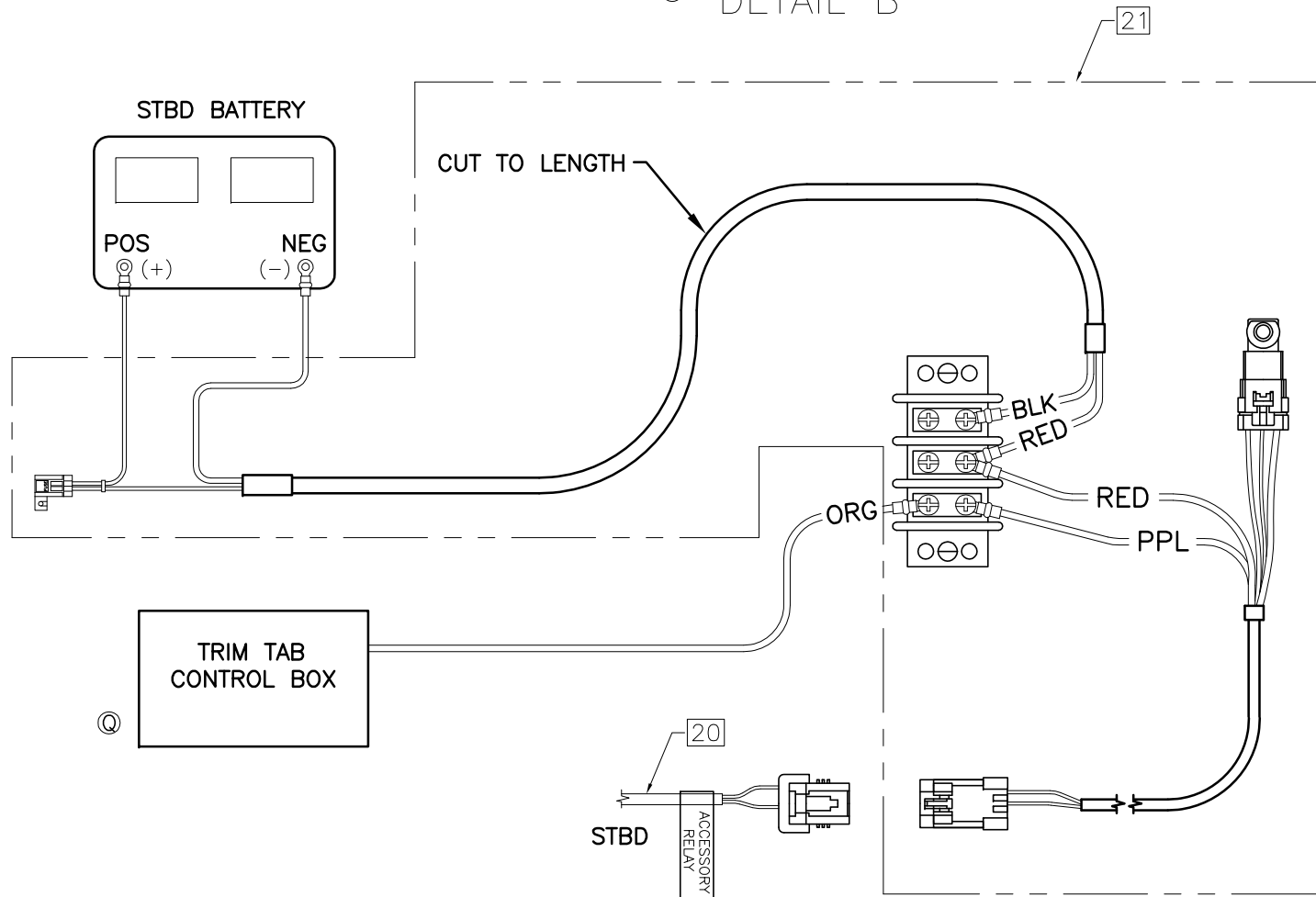
THIS DOCUMENT IS THE PROPERTY OF BOSTON WHALER, INC. MFG. DEPT., EDGEWATER, FLORIDA. ALL RIGHTS ARE RESERVED. THIS DOCUMENT AND INFORMATION CONTAINED MUST NOT BE COPIED OR DISCLOSED TO OTHERS WITHOUT WRITTEN PERMISSION OF BOSTON WHALER, INC.

DWG. NO:  
07215

REV.  
S

CURRENT ECD  
07064395

Ⓔ "DETAIL B"



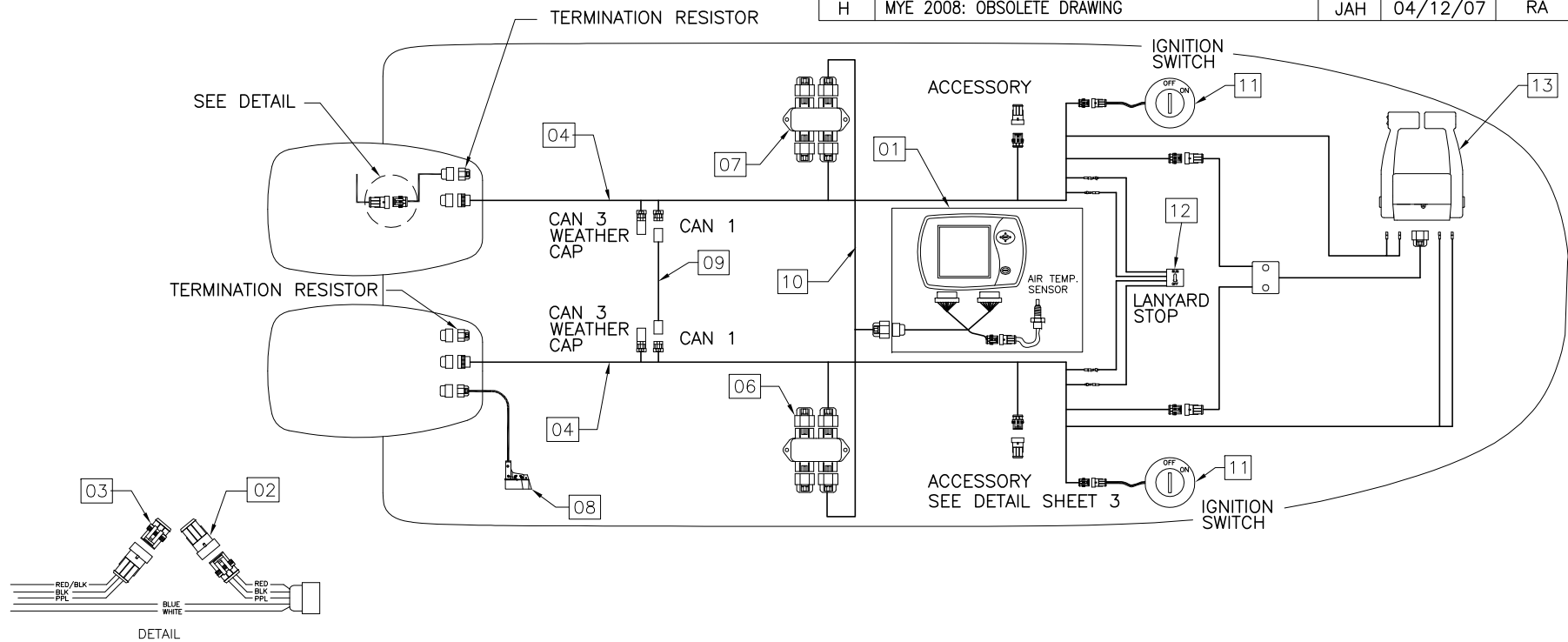
THIS DOCUMENT IS THE PROPERTY OF BOSTON WHALER, INC. MFG. DEPT., EDGEWATER, FLORIDA. ALL RIGHTS ARE RESERVED. THIS DOCUMENT AND INFORMATION CONTAINED MUST NOT BE COPIED OR DISCLOSED TO OTHERS WITHOUT WRITTEN PERMISSION OF BOSTON WHALER, INC.

DWG. NO: 07214 REV. H CURRENT ECD 07044156

NOTES:

- REFER TO SHEET 2 FOR PADDLE WHEEL, OIL TANK, AND FUEL TANK WIRING DETAIL.
- THE CAN BUS POWER (3 wire) CONNECTOR ON THE PORT ENGINE MUST BE DISCONNECTED. SEAL WITH CAP SEALS.

REVISIONS					
REV.	DESCR.	BY	DATE	APPVD.	ECN NO.
D	MYE '06: UPDATED SCHEMATIC (SHT 1) UPDATED BOM (SHT 2) ADDED SHT 2. (SEE MODEL SPACE FOR OLD SCHEMATIC/OLD BOM) MYE '06: ADDED DETAIL & SHT 3; #15 WAS 1477934	MRZ	05/11/05	MG	050517
E	MYE 2006: UPDATE SCHEMATIC ON PAGE 2	MRZ	06/01/05	MG	050582
F	MYE 2006: ITEM #01 P/N WAS 1772364	MRZ	06/01/05	ME	050590
G	MODIFY DRAWING BORDER TO AN ATTRIBUTED BORDER	TS	02/24/06	AVM	060228
H	MYE 2008: OBSOLETE DRAWING	JAH	04/12/07	RA	07044156



OPT: 100-70019 DUAL SC5000 SYSTEM VIEW

**WARNING!**

CORRECT INSTALLATION AND LOCATION OF THE TERMINATOR RESISTORS ARE CRITICAL FOR PROPER SYSTEM FUNCTION. IMPROPER INSTALLATION MAY RESULT IN COMMUNICATION ERRORS.

**WARNING!**

ALL UNUSED JUNCTION BOX PORTS MUST BE CAPPED (SEALED) USING WEATHER CAPS. FAILURE TO CAP UNUSED PORTS MAY RESULT IN CORROSION LEADING TO IMPROPER FUNCTION.

INTERPRET DIMENSIONS AND TOLERANCES PER ANSI Y 14.5 UNLESS OTHERWISE SPECIFIED DIMENSIONS ARE IN INCHES.  
 TOLERANCES: ANGLES = ± .5° .XXX = ± .010  
 .X = ± .1 X = ± 1/16  
 .XX = ± .03 X = ± 1/16  
 DO NOT SCALE DRAWING



CHECKED: RA	DATE: 4/14/03	DRAWN: R LEE	DATE: 04/14/03	SCALE: NONE	BOAT MODEL	MOLD NO.
APPD: R. CLIFTON	DATE: 4/14/03	DWG. TITLE:			2700R	
DESIGN: L. SCHOLZ	DATE: 6/10/03	DIAGRAM SMARTCRAFT DUAL			INIT. REL. ECN NO:	DWG. NO:
INT. ENG: M.G.	DATE: 6/10/03				030344	07214
					SHT. NO.	
					1	of 3

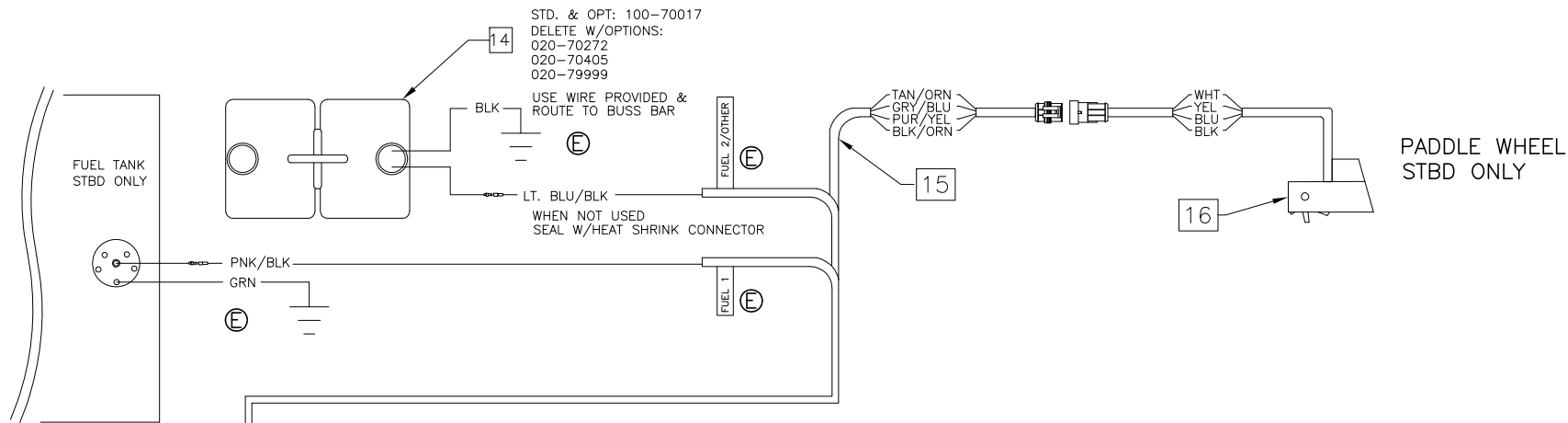
THIS DOCUMENT IS THE PROPERTY OF BOSTON WHALER, INC. MFG. DEPT., EDGEWATER, FLORIDA. ALL RIGHTS ARE RESERVED. THIS DOCUMENT AND INFORMATION CONTAINED MUST NOT BE COPIED OR DISCLOSED TO OTHERS WITHOUT WRITTEN PERMISSION OF BOSTON WHALER, INC.

DWG. NO:  
07214

REV.  
H

CURRENT ECD  
07044156

NOTES:



BILL OF MATERIALS

ITEM	QTY.	U/M	DESCRIPTION	B.W.I. NO.
Ⓒ 01	1	EA	ACC PART, MERC S-CRFT SYS VIEW '06	1807705
Ⓑ 02	1	EA	CAP SEAL MALE	<del>1610518</del>
Ⓑ 03	1	EA	CAP SEAL FEMALE	<del>1610500</del>
04	2	EA	HARNESS, IGN ASSY 14 PIN 20'	1802105
Ⓓ <del>05</del>	<del>2</del>	<del>EA</del>	<del>HARNESS, MERC DATA SMARTCRAFT 1000-1RSL-20'</del>	<del>1507268</del>
06	4	EA	ACC PART, MERC S-CRFT WTHR CAP 10POS CAP	1507342
07	2	EA	ACC PART, MERC S-CRFT JUNC BOX 4-WAY	1507326
08	1	EA	ACC PART, MERC DEP FINDER/TRANSDUCER TRNS MNT	1738329
Ⓓ 09	1	EA	HARNESS, MERC CAN 1 LINK	1804875
Ⓓ 10	1	EA	HARNESS, MERC DUAL ENGINE INST ADP	1793838
Ⓓ 11	2	EA	SWITCH, IGN ASSY 4-POSITION N/HOUSING	1803407
Ⓓ 12	1	EA	ACC PART, MERC SWITCH (DUAL LANYARD STOP)	1477983
Ⓓ 13	1	EA	CONTROL, CNSL MNT DUAL N/HARNESS 4000 GEN II	1752912
Ⓓ 14	2	EA	TANK, OIL VRO W/HDWR W/SEND O/B 3 GAL DIGITAL	1477926
Ⓓ 15	2	EA	HARNESS, ENG MERC DIGITAL OIL/FUEL/PADDLE '06	1806644
Ⓓ 16	1	EA	ACC PART, MERC SPEEDOMETER/TEMP DIG	1477942
Ⓓ 17	1	EA	ACC PART, MERC ACC HARNES RELAY AUX POWER	1781346



INTERPRET DIMENSIONS AND TOLERANCES PER ANSI Y 14.5 UNLESS OTHERWISE SPECIFIED DIMENSIONS ARE IN INCHES.  
 TOLERANCES: ANGLES = ± .5° .XXX = ± .010  
 .X = ± .1 X = ± 1/16  
 .XX = ± .03  
 DO NOT SCALE DRAWING

DRAWN: R LEE

DATE: 04/14/03

SCALE: NONE

BOAT MODEL

MOLD NO.

DWG. TITLE:

DIAGRAM SMARTCRAFT DUAL

2700R

INIT. REL. ECN NO:

DWG. NO:

030344

07214

SHT. NO.

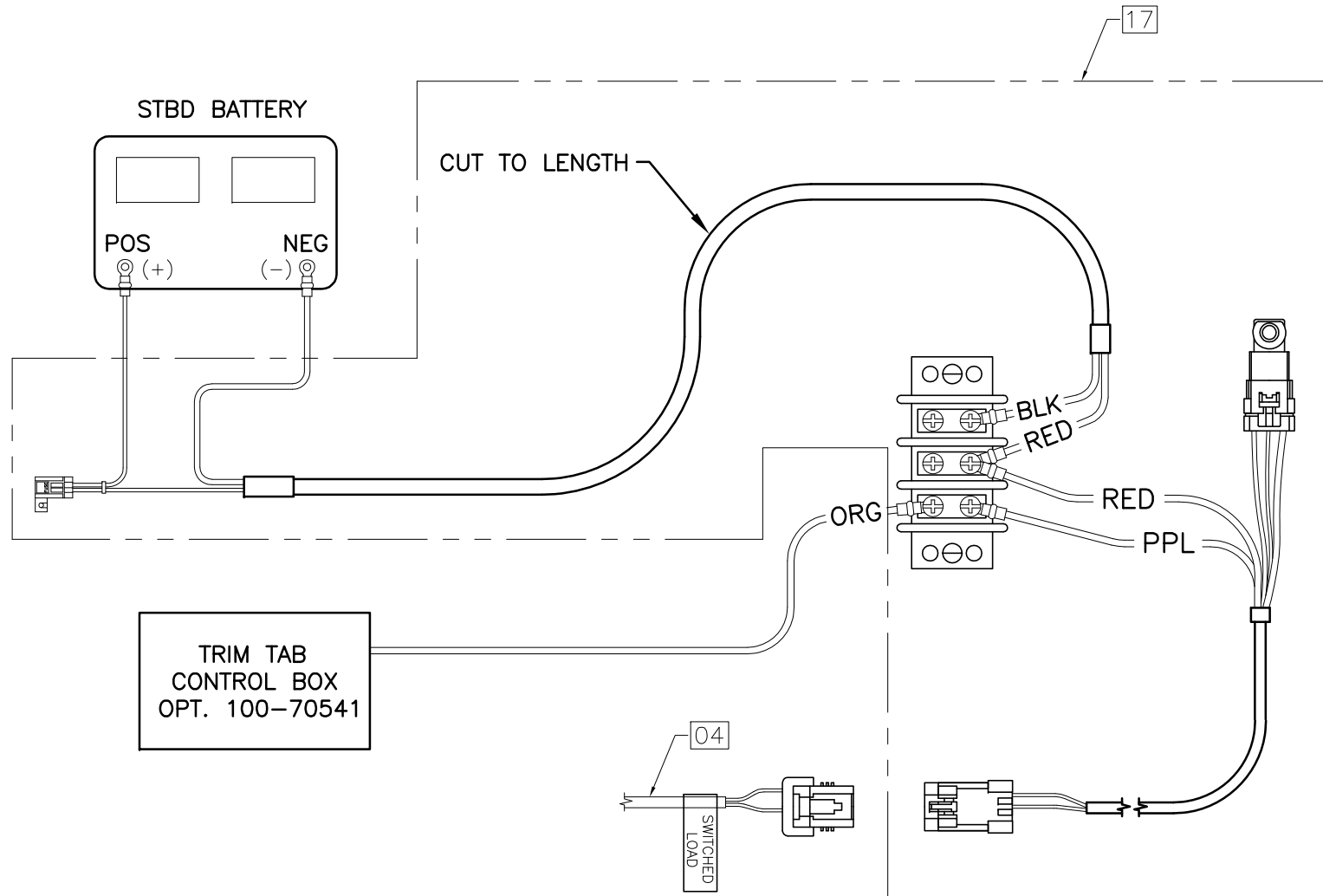
2 of 3

THIS DOCUMENT IS THE PROPERTY OF BOSTON WHALER, INC. MFG. DEPT., EDGEWATER, FLORIDA. ALL RIGHTS ARE RESERVED. THIS DOCUMENT AND INFORMATION CONTAINED MUST NOT BE COPIED OR DISCLOSED TO OTHERS WITHOUT WRITTEN PERMISSION OF BOSTON WHALER, INC.

DWG. NO:  
07214

REV.  
H

CURRENT ECD  
07044156



OPT. 100-70541 ELECTRIC TRIM TABS W/ INDICATOR



INTERPRET DIMENSIONS AND TOLERANCES PER ANSI Y 14.5 UNLESS OTHERWISE SPECIFIED DIMENSIONS ARE IN INCHES.  
TOLERANCES: ANGLES = ± .5° .XXX = ± .010  
.X = ± .1 X = ± 1/16  
.XX = ± .03  
DO NOT SCALE DRAWING

DRAWN: R LEE DATE: 04/14/03 SCALE: NONE  
DWG. TITLE: DIAGRAM SMARTCRAFT DUAL

BOAT MODEL  
2700R  
INIT. REL. ECN NO:  
030344

MOLD NO.  
DWG. NO:  
07214

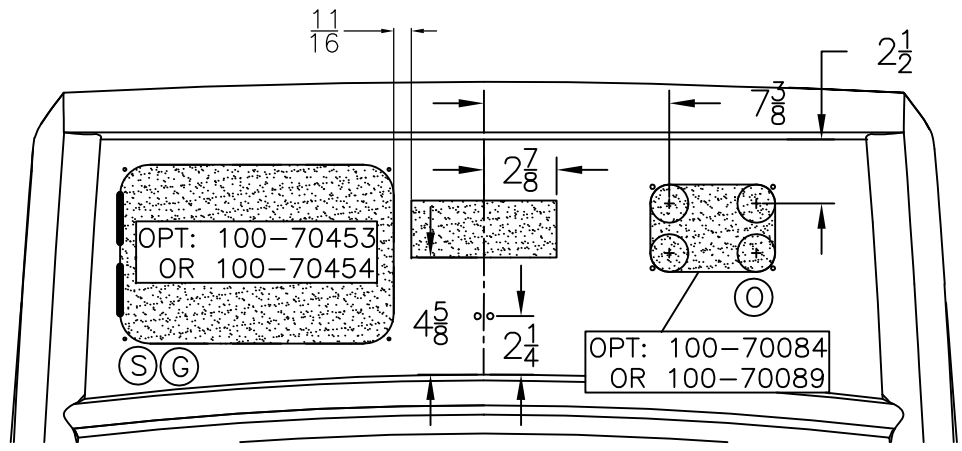
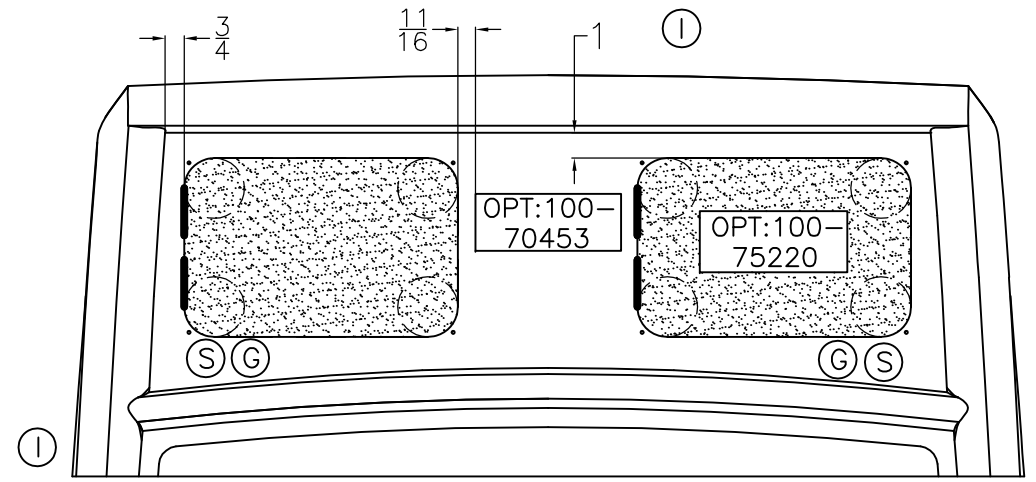
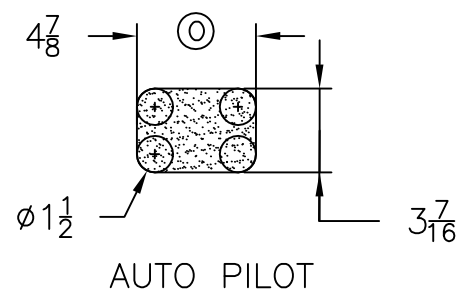
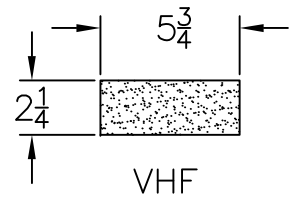
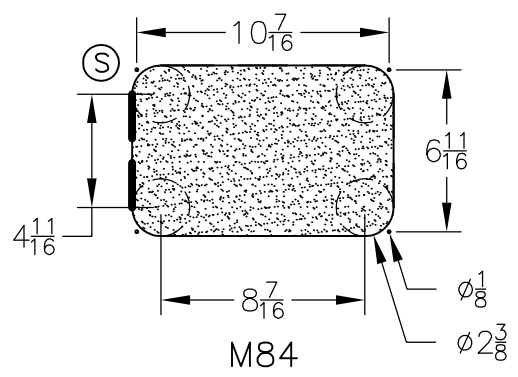
SHT. NO.  
3 OF 3

THIS DOCUMENT IS THE PROPERTY OF BOSTON WHALER, INC. MFG. DEPT., EDGEWATER, FLORIDA. ALL RIGHTS ARE RESERVED. THIS DOCUMENT AND INFORMATION CONTAINED MUST NOT BE COPIED OR DISCLOSED TO OTHERS WITHOUT WRITTEN PERMISSION OF BOSTON WHALER, INC.

DWG. NO: 08600  
 REV. T  
 CURRENT ECD 07044137

NOTES:

REVISIONS					
REV.	DESCR.	BY	DATE	APPVD.	ECN NO.
L	CHANGED GPS MOUNT LOCATION, SHEET 4. WAS 3"	SLJ	01/31/07	DJW	06080113
M	ADDED TRANSDUCER MOUNTING LOCATION DETAIL, SHEET 3	SLJ	02/05/07	AVM	07013902
N	CHANGED PN # & DESCRIPTION ITEM 4, SHEET 2. WAS 1736014	SLJ	02/23/07	AVM	07023965
O	ADDED OPT's 100-70084 & 89, ITEMS 46 THRU 50, SHEETS 1 THRU 4	SLJ	03/12/07	AVM	07024002
P	ADDED 4KW RADAR, ITEM 31' CHNG PN# ITEM 22 WAS 1791573, SHEETS 2 & 5	SLJ	03/14/07	AVM	07024001
Q	CHANGED PN # & DESCRIPTION ITEM 13, SHEET 2 & 3. WAS 1892871	SLJ	03/19/07	AVM	07024001
R	ADDED PORT SIDE VIEW OF STD VHF ANTENNA LOCATION, SHEET 4	SLJ	03/27/07	AVM	07034070
S	CHANGED 6000i COMPONENTS TO M84	RJW	04/17/07	RA	07044158
T	MFE'08: DELETED OPTS 700-00002 & 700-00004 SHTS 2 & 3, CHANGED PN# & DESC SHIT 2	SDT	04/19/07	RA	07044137



INTERPRET DIMENSIONS AND TOLERANCES PER ANSI Y 14.5 UNLESS OTHERWISE SPECIFIED DIMENSIONS ARE IN INCHES.  
 TOLERANCES: ANGLES = ± .5° .XXX = ± .010  
 .X = ± .1 .XX = ± .03 X = ± 1/16  
 DO NOT SCALE DRAWING



CHECKED: D DEVIEW	DATE: 03/03/05	DRAWN: HAL READ	DATE: 02/14/05	SCALE: NONE	BOAT MODEL 2700R	MOLD NO.
APPD: KR	DATE: 03/03/05	DWG. TITLE: ELECTRONICS PACKAGE			INIT. REL. ECN NO: 050241	DWG. NO: 08600
DESIGN: VPK	DATE: 03/03/05					SHT. NO. 1 of 5
INT. ENG: MG	DATE: 03/14/05					

THIS DOCUMENT IS THE PROPERTY OF BOSTON WHALER, INC. MFG. DEPT., EDGEWATER, FLORIDA. ALL RIGHTS ARE RESERVED. THIS DOCUMENT AND INFORMATION CONTAINED MUST NOT BE COPIED OR DISCLOSED TO OTHERS WITHOUT WRITTEN PERMISSION OF BOSTON WHALER, INC.

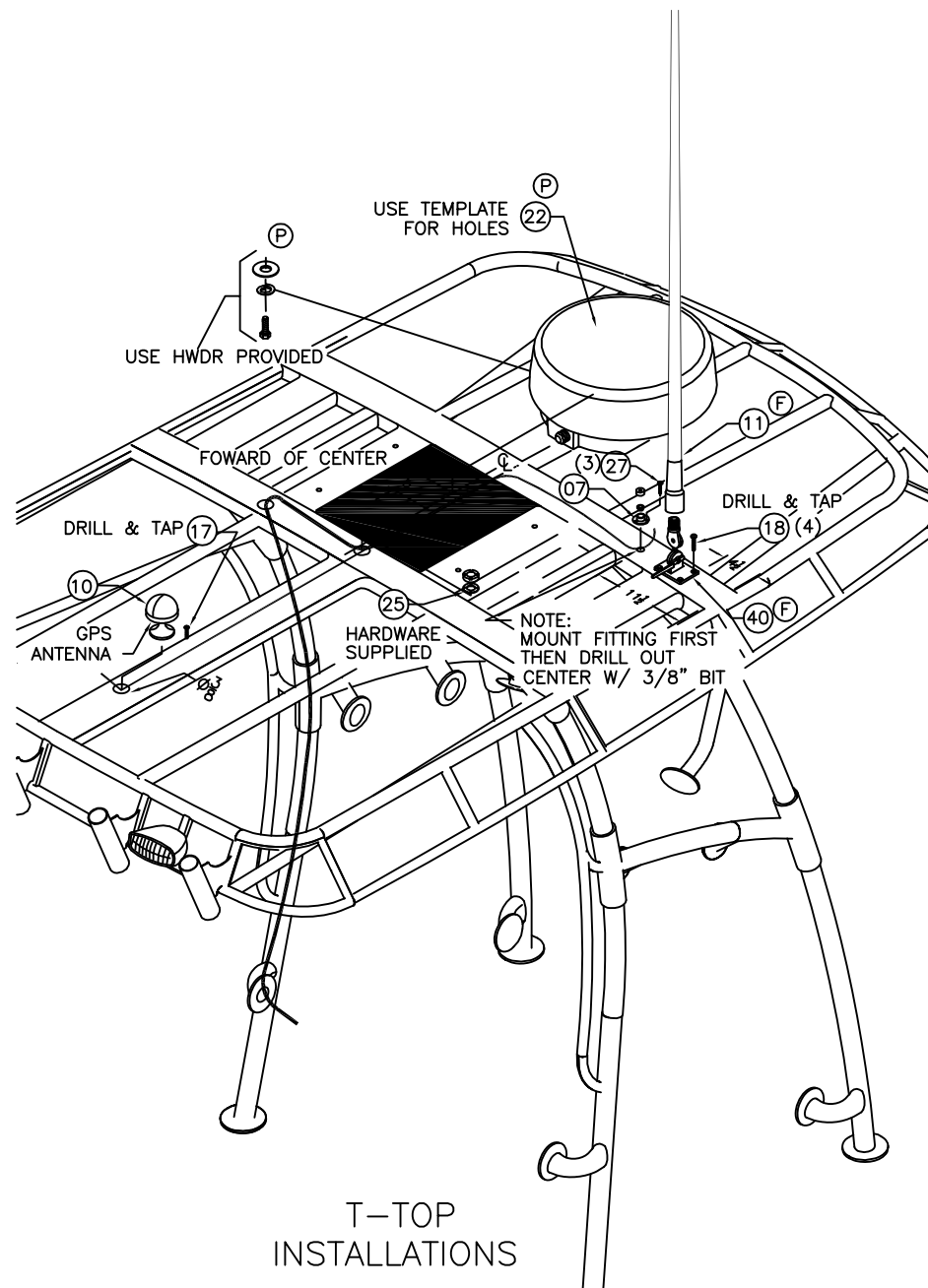
DWG. NO:  
08600

REV.  
T

CURRENT ECD  
07044137

PARTS LIST

ITEM	QTY.	QTY.	QTY.	QTY.	QTY.	QTY.	QTY.	QTY.	U/M	DESCRIPTION	B.W.I. NO.
1	6	10	-	-	-	-	-	-	EA.	CONN, BUTT 22-18GA H/SHRINK	0269670
2	8	8	-	-	-	-	-	-	FT.	HOSE, CONDUIT/UNSPILT 1.5" FLAME RETARDANT	1817798
3	20	30	-	-	-	-	-	-	EA.	TIE, CLIP BLK	1031764
4	20	30	-	-	-	-	-	-	EA.	TIE, CABLE 11.5" MED NYLON BLK	157321
5	6	11	-	-	-	-	-	-	EA.	CONN, FQD 14/16GA SEALED	1041201
6	1	1	-	-	-	-	-	-	EA.	MOUNT, RATCHET VHF 1850 NYLON QUICK-FIT	1800575
7	1	1	-	-	-	-	-	-	EA.	FITTING, WATER TIGHT OUTLET FOR 5/16" CAB	0122853
8	-	1	-	-	-	-	-	-	EA.	FUSE, BLADE TYPE CLOSED 3A	0520668
9	-	1	-	-	-	-	-	-	EA.	FUSE, BLADE TYPE CLOSED 10A	0731000
10	1	1	-	-	-	-	-	-	EA.	MOUNT, ANTENNA DECK GPS SS	0788711
11	-	-	-	-	1	-	-	-	EA.	ANTENNA, VHF 1710 N/CBL MNT	1792452
12	3	3	-	-	-	-	-	-	EA.	SCREW, TAPPING #10A X 2" PTH SC	1008754
13	1	1	-	-	1	-	-	-	EA.	RADIO, VHF EXPLR 721 TRACK BUDDY/BARMTR	1892871
14	-	-	-	1	-	-	-	-	EA.	RADIO, VHF EXPLR 721EU	1892876
15	1	1	-	-	-	-	-	-	EA.	NAVIGATOR, NRTHSTR 8.4" CMPLT PKG	1895521
16	-	-	-	-	-	-	-	-	EA.	DEPTH SOUNDER, NRTHSTR 490-S ECHO SOUNDER	1778283
17	-	-	-	-	3	-	-	-	EA.	SCREW, MACHINE #10-24 X 3/4" PTH SC	1008705
18	-	-	-	-	4	-	-	-	EA.	SCREW, MACHINE #1/4-20 X 3/4" PFH SC	1007863
19	1	1	-	-	-	-	-	-	EA.	TRANSDUCER, TRNSM MNT NAVMAN 4500/6500 FISH	1831548
20	10	10	-	-	-	-	-	-	EA.	SCREW, TAPPING #6A X 5/8" POH SC	1008572
21	-	1	-	-	1	1	-	-	EA.	RADAR, NORTHSTAR HEADING SENSOR FOR 6000I	1784429
22	-	-	-	-	1	1	-	-	EA.	RADAR, NRTHSTR RADOME 24" 4KW	1849977
23	-	3	-	-	-	-	-	-	FT.	WIRE, 14GA AWG BLK INSUL TIN/CPR	1000140
24	1	1	-	-	-	-	-	-	EA.	FUSE, BLADE TYPE ATO 7.5A	0520676
25	-	-	-	-	1	-	-	-	EA.	RADAR, CABLE SEAL	1780436
26	1	1	-	-	1	-	-	-	EA.	SHIM, PLAS NAVMAN ATTNNA PLAS BASE 5DEG WHT	1831249
27	3	3	-	-	-	-	-	-	EA.	SCREW, TAPPING #4A X 5/8" POH SC	1007822
28	4	4	-	-	-	-	-	-	EA.	SCREW, MACHINE #1/4-20 X 1" POH SC	1213198
29	4	4	-	-	-	-	-	-	EA.	NUT, LOCK #1/4-20 SC STD PATT	1009786
30	4	4	-	-	-	-	-	-	EA.	WASHER, FLAT #1/4" SC	1260769
31	-	-	-	-	1	1	-	-	EA.	RADAR, NRTHSTR BOX 4KW PROCESSOR M84	1895520
32	1	1	-	-	-	-	-	-	EA.	CONN, SOLDERLESS W/GTR PIN	1274588
33	2	2	-	-	-	-	-	-	EA.	SCREW, TAPPING #6A X 1" PFH SC	1010354
34	1	1	-	-	-	-	-	-	EA.	VENT, CLAMSHELL ROPE LCKR 2"X2"	0533430
35	-	1	-	-	-	-	-	-	EA.	FUSE, BLADE TYPE ATC 1A	0706721
36	20	38	-	-	-	-	-	-	EA.	SCREW, TAPPING #8A X 5/8" PTH SC	1010925
37	1	1	-	-	-	1	-	-	EA.	ANTENNA, VHF 1770 N/CBL MNT 4.2'QUIK FIT	1800574
38	3	3	-	-	-	3	-	-	EA.	SCREW, TAPPING #10A X 1" POH SC	1008507
39	-	6	-	-	-	-	-	-	FT.	WIRE, 14GA AWG RED INSUL TIN/CPR	1000470
40	-	-	-	-	-	1	-	-	EA.	MOUNT, RATCHET VHF 1815 SS QUICK-FI	1792447
41	-	-	-	-	-	-	-	-	EA.	FUSE, BLADE TYPE CLOSED 10A	0731000
42	-	-	2	-	-	-	-	-	EA.	CONN, FQD 14/16GA SEALED	1041201
43	-	-	-	-	-	-	-	-	EA.	HARNESS, ETHERNET CBL KIT 6' NRTHSTR 6000I	1770992
44	-	-	-	-	-	-	-	-	EA.	NAVIGATOR, NRTHSTR 6000I 10' PWR CBL	1780443
45	-	-	1	-	-	-	-	-	EA.	NAVIGATOR/FFINDER, NRTHSTR M84 8" DSP ONLY	1890357
46	-	-	-	-	-	-	1	-	EA.	AUTO PILOT, NRTHSTR CORE PACK KIT (VERADO)	1848858
47	-	-	-	-	-	-	1	-	EA.	AUTO PILOT, NRTHSTR CORE PACK KIT (OPTIMAX)	1807927
48	-	-	-	-	-	4	4	-	EA.	SCREW, TAPPING #8A X 1" PTH SC	1008804
49	-	-	-	-	-	1	1	-	EA.	BUSS BAR, 6-GANG TERMINAL STRIP	0179242
50	-	-	-	-	-	1	1	-	EA.	AUTO PILOT, NRTHSTR NS3300 DISPLAY ONLY	1807919
51	1	1	1	-	-	-	-	-	EA.	FUSE, BLADE TYPE CLOSED 2A	0842021
52	-	-	-	-	1	1	-	-	EA.	CABLE, INTERFACE M84 TO RADAR	1895523



T-TOP  
INSTALLATIONS



INTERPRET DIMENSIONS AND TOLERANCES PER ANSI Y 14.5 UNLESS OTHERWISE SPECIFIED DIMENSIONS ARE IN INCHES.  
TOLERANCES: ANGLES = ± .5° .xxx = ± .010  
.x = ± .1 X = ± 1/16  
.xx = ± .03 X = ± 1/16  
DO NOT SCALE DRAWING

DRAWN: HAL READ

DATE: 02/14/05

SCALE: NONE

BOAT MODEL

MOLD NO.

DWG. TITLE:

ELECTRONICS PACKAGE

2700R

INIT. REL. ECN NO:

050241

DWG. NO:

08600

SHT. NO.

2 of 5

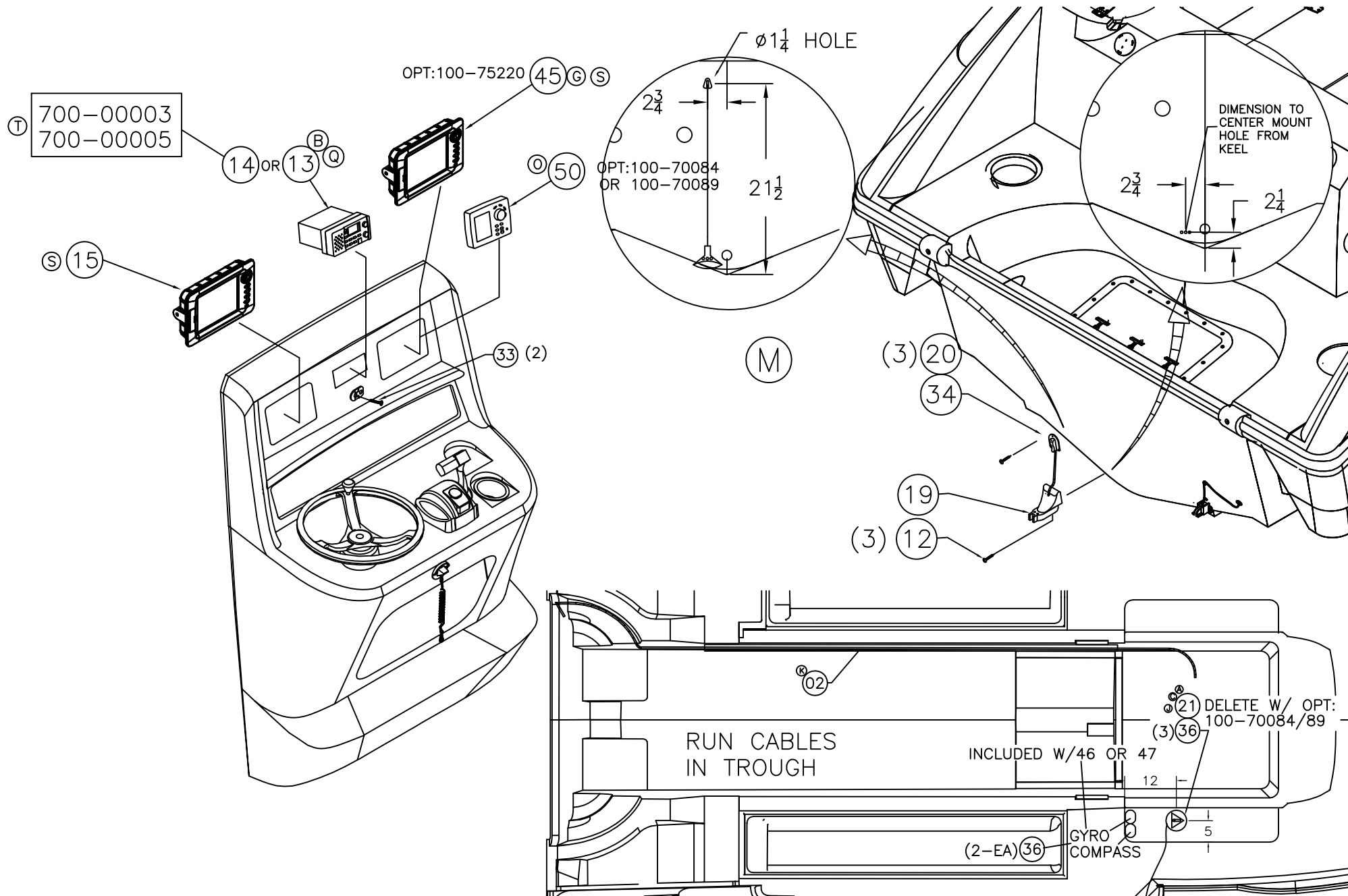


THIS DOCUMENT IS THE PROPERTY OF BOSTON WHALER, INC. MFG. DEPT., EDGEWATER, FLORIDA. ALL RIGHTS ARE RESERVED. THIS DOCUMENT AND INFORMATION CONTAINED MUST NOT BE COPIED OR DISCLOSED TO OTHERS WITHOUT WRITTEN PERMISSION OF BOSTON WHALER, INC.

DWG. NO:  
08600

REV.  
T

CURRENT ECD  
07044137



INTERPRET DIMENSIONS AND TOLERANCES PER ANSI Y 14.5 UNLESS OTHERWISE SPECIFIED DIMENSIONS ARE IN INCHES.  
 TOLERANCES: ANGLES = ± .5° .XXX = ± .010  
 .X = ± .1 X = ± 1/16  
 .XX = ± .03 X = ± 1/16  
 DO NOT SCALE DRAWING

DRAWN: HAL READ

DATE: 02/14/05

SCALE: NONE

BOAT MODEL

MOLD NO.

DWG. TITLE:

2700R

ELECTRONICS PACKAGE

INIT. REL. ECN NO:

DWG. NO:

SHT. NO.

050241

08600

3 OF 5

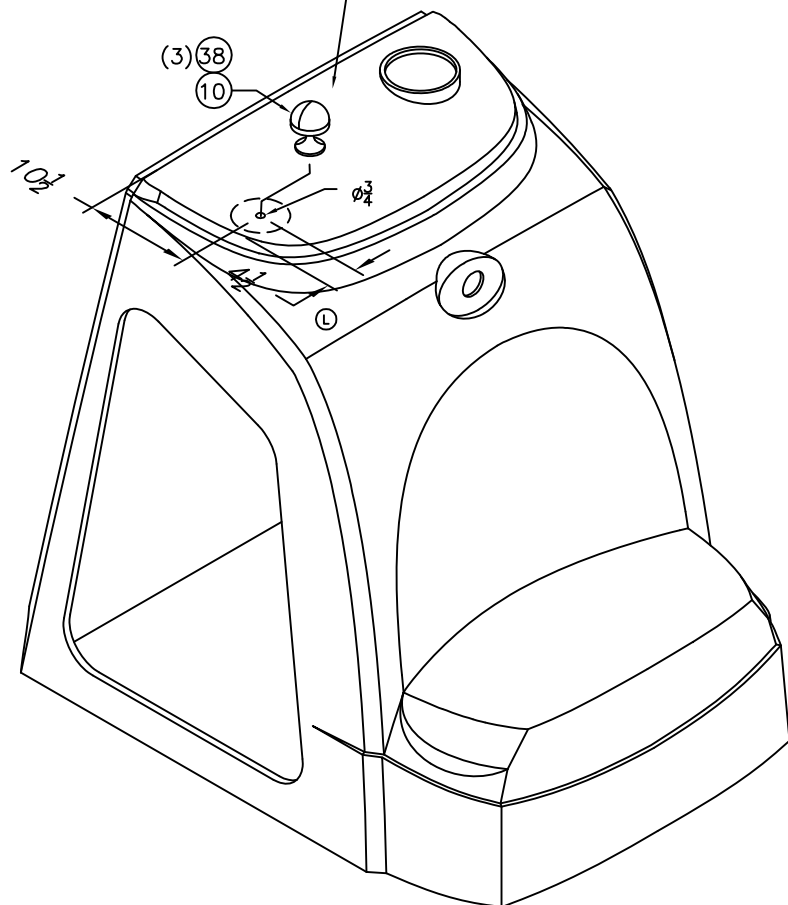
THIS DOCUMENT IS THE PROPERTY OF BOSTON WHALER, INC. MFG. DEPT., EDGEWATER, FLORIDA. ALL RIGHTS ARE RESERVED. THIS DOCUMENT AND INFORMATION CONTAINED MUST NOT BE COPIED OR DISCLOSED TO OTHERS WITHOUT WRITTEN PERMISSION OF BOSTON WHALER, INC.

DWG. NO:  
08600

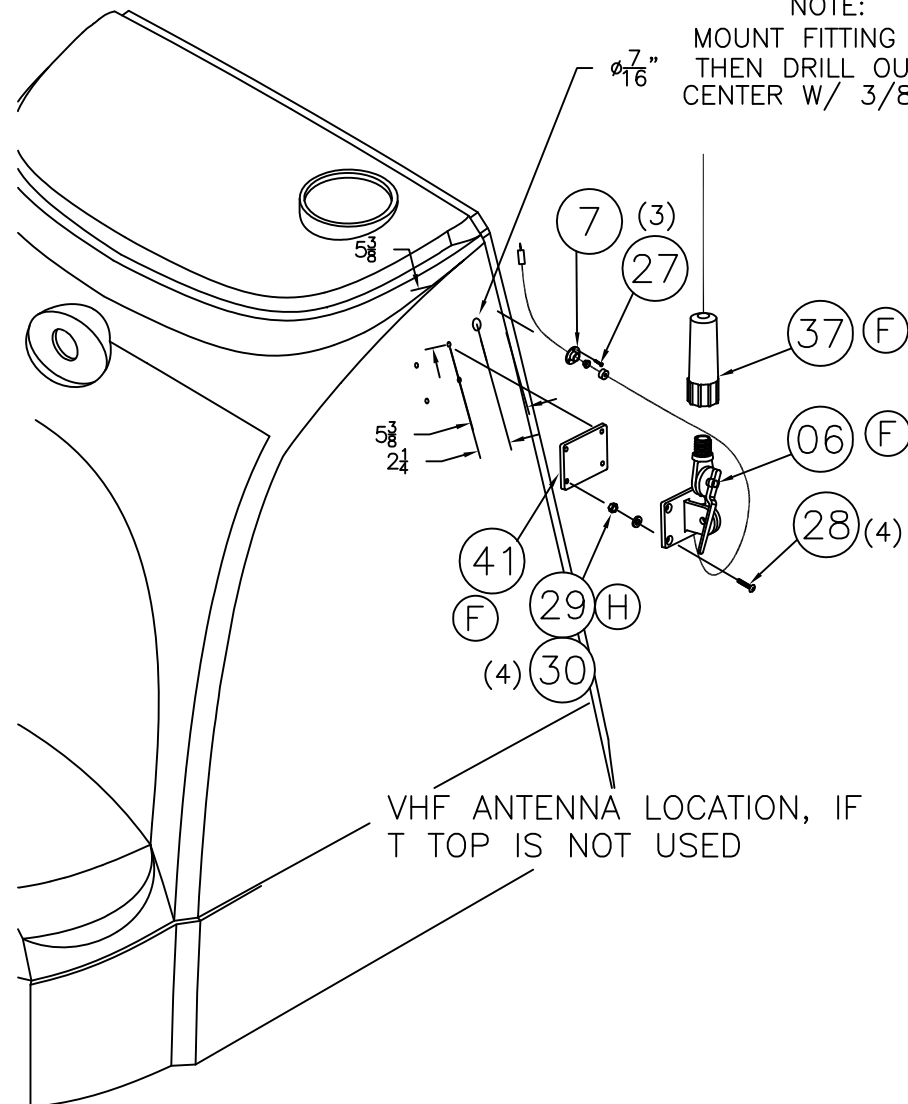
REV.  
T

CURRENT ECD  
07044137

GPS ANTENNA LOCATION, IF TOP IS NOT USED



NOTE:  
MOUNT FITTING FIRST THEN DRILL OUT CENTER W/ 3/8" BIT



VHF ANTENNA LOCATION, IF T TOP IS NOT USED



INTERPRET DIMENSIONS AND TOLERANCES PER ANSI Y 14.5 UNLESS OTHERWISE SPECIFIED DIMENSIONS ARE IN INCHES.  
TOLERANCES: ANGLES = ± .5° .XXX = ± .010  
.X = ± .1 .XX = ± .03 X = ± 1/16  
DO NOT SCALE DRAWING

DRAWN: HAL READ	DATE: 02/14/05	SCALE: NONE	BOAT MODEL 2700R	MOLD NO.
DWG. TITLE: ELECTRONICS PACKAGE			INIT. REL. ECN NO: 050241	DWG. NO: 08600
				SHT. NO. 4 OF 5

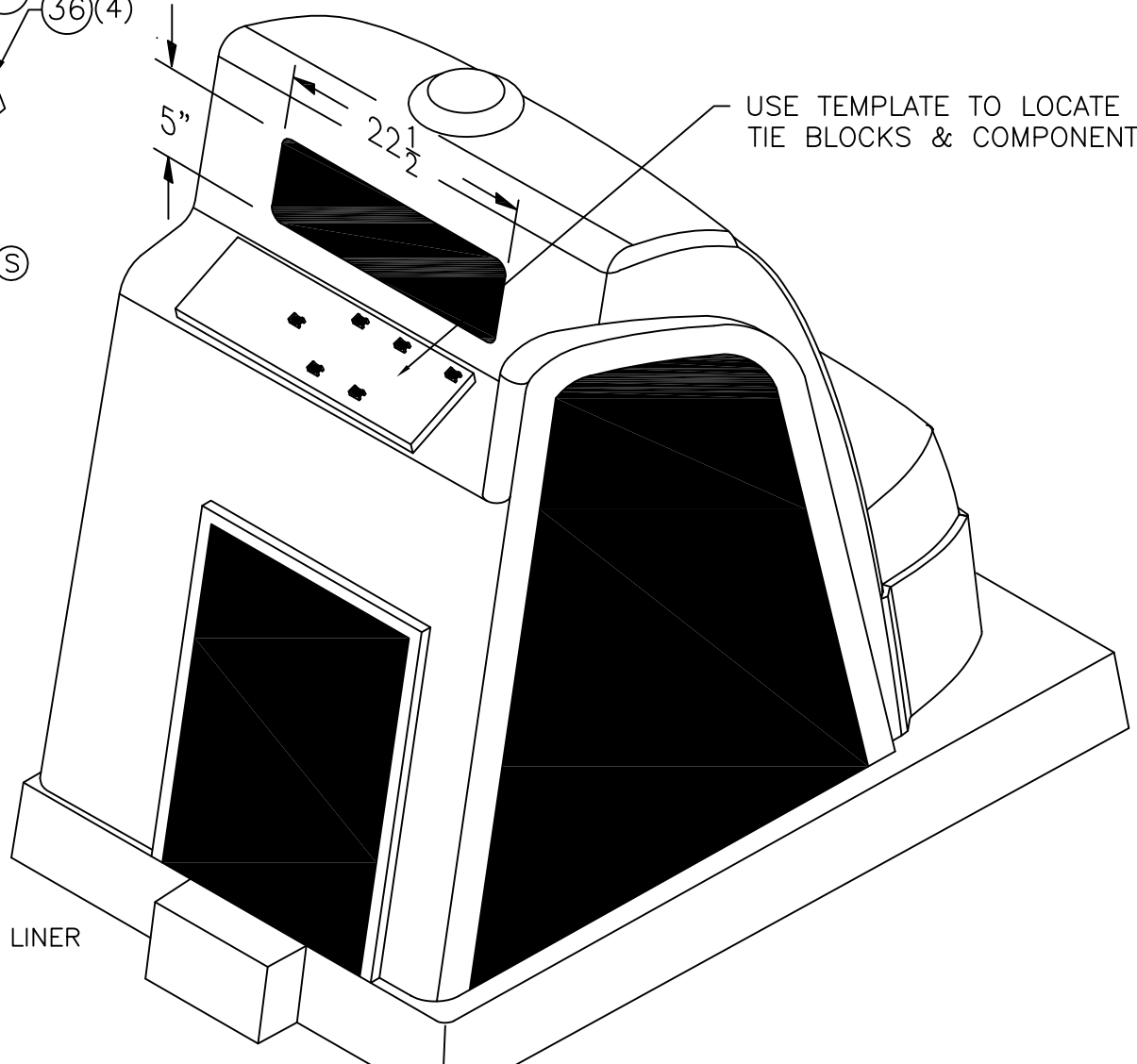
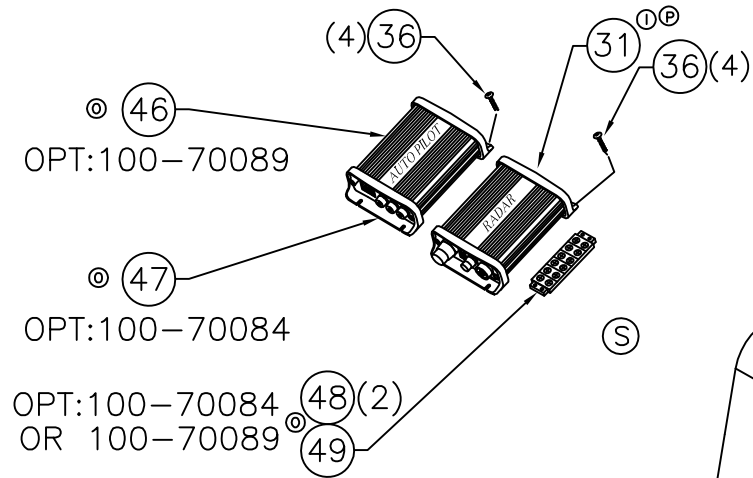
THIS DOCUMENT IS THE PROPERTY OF BOSTON WHALER, INC. MFG. DEPT., EDGEWATER, FLORIDA. ALL RIGHTS ARE RESERVED. THIS DOCUMENT AND INFORMATION CONTAINED MUST NOT BE COPIED OR DISCLOSED TO OTHERS WITHOUT WRITTEN PERMISSION OF BOSTON WHALER, INC.

DWG. NO:  
08600

REV.  
T

CURRENT ECD  
07044137

Ⓣ\* \* -USED ON OPT'S: 700-00008  
& 700-00009  
700-00012 Ⓣ  
700-00013 Ⓣ



CONSOLE INNER LINER



INTERPRET DIMENSIONS AND TOLERANCES PER ANSI Y 14.5 UNLESS OTHERWISE SPECIFIED DIMENSIONS ARE IN INCHES.  
TOLERANCES: ANGLES = ± .5° .XXX = ± .010  
.X = ± .1 .X = ± 1/16  
.XX = ± .03  
DO NOT SCALE DRAWING

DRAWN: HAL READ

DATE: 02/14/05

SCALE: NONE

BOAT MODEL

MOLD NO.

DWG. TITLE:  
ELECTRONICS PACKAGE

2700R

INIT. REL. ECN NO:  
050241

DWG. NO:  
08600

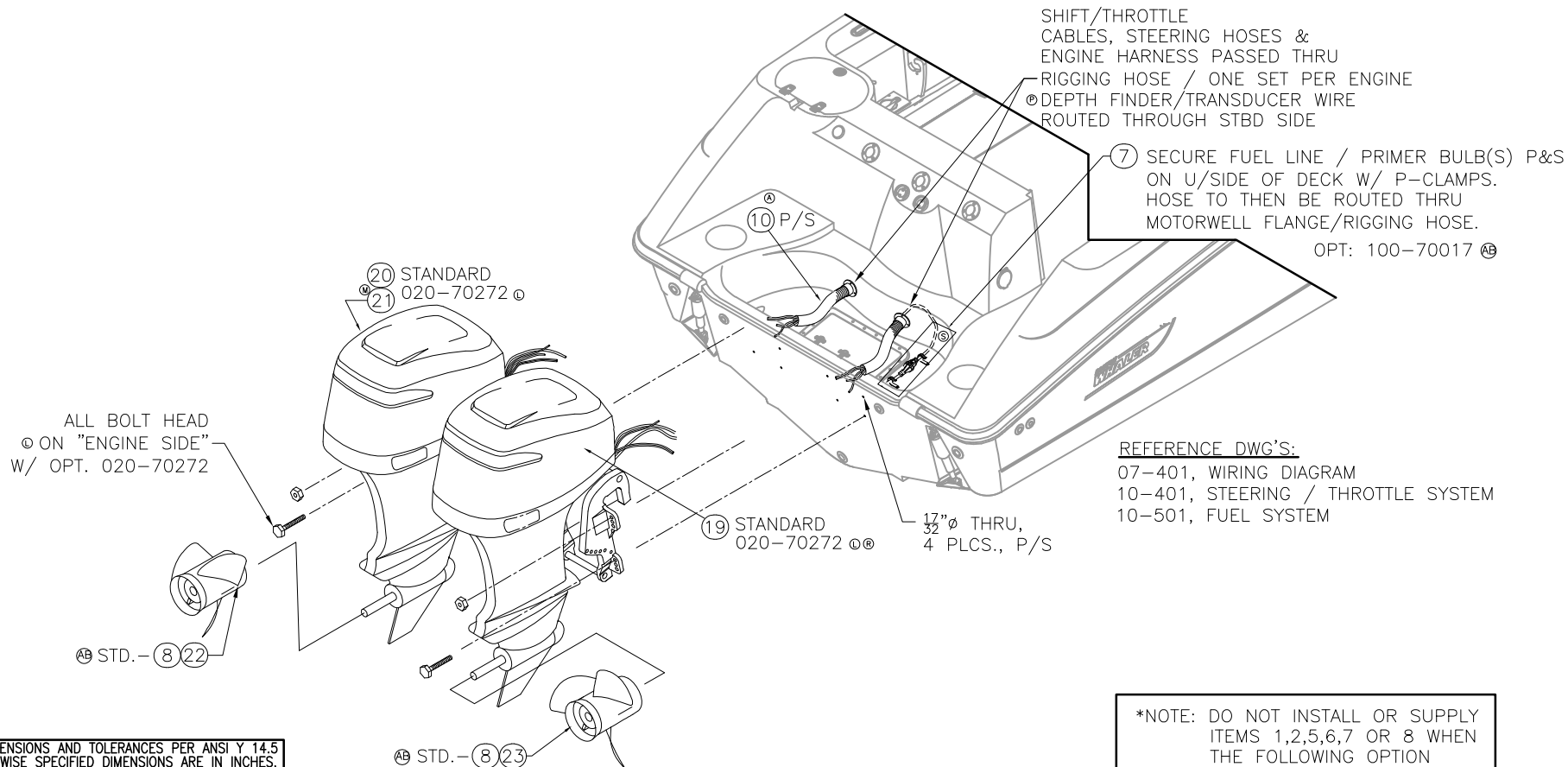
SHT. NO.  
5 of 5

THIS DOCUMENT IS THE PROPERTY OF BOSTON WHALER, INC. MFG. DEPT., EDGEWATER, FLORIDA. ALL RIGHTS ARE RESERVED. THIS DOCUMENT AND INFORMATION CONTAINED MUST NOT BE COPIED OR DISCLOSED TO OTHERS WITHOUT WRITTEN PERMISSION OF BOSTON WHALER, INC.

DWG. NO:	REV.	CURRENT ECD
10201	AC	07064395

- USE MERCURY INSTRUCTIONS & RIGGING TEMPLATE FOR HOLE LAYOUT AND INSTALLATION.
- HARDWARE INCLUDED w/ENGINE.
- MARK CENTERLINE OF TRANSOM FOR ALIGNING RIGGING TEMPLATE.
- HOLES TO BE DRILLED PERPENDICULAR TO TRANSOM.
- ALL TRANSOM FASTENERS TO HAVE SEALANT APPLIED TO BOLT SHANKS & TORQUE TO 55lb. ft.
- ITEM #8 TO BE USED FOR PACKAGING PROPS.
- LOWER FASTENERS, P/S HAVE BOLT HEAD ON "ENGINE SIDE". UPPER FASTENERS, P/S HAVE BOLT HEAD ON "MOTORWELL" SIDE (EXCEPT VERADO).
- INSTALL ITEM #7 ON THE FOLLOWING OPTIONS:  
 (AB) 020-79999 W/100-70017 & 020-70405 W/100-70017

REVISIONS					
REV.	DESCR.	BY	DATE	APPVD.	ECN NO.
Y	ADDED TORQUE SPECIFICATION 55lb. ft. TO NOTES.	JC	10/06/06	AVM	06103687
Z	CHANGED PN# & DESCRIPTION ITEMS 22 & 23, SHEETS 1 & 3	SLJ	11/13/06	AVM	06113767
AA	DELETED OPTION 020-70170	RJW	05/04/07	RA	07054296
AB	DELETED OPTION 020-70250, MADE 020-70272 STANDARD	RJW	06/01/07	RA	07054359
AC	DELETE ALL (EU) VERADO ENGINE OPT #'S, ADD VERADO (ED) OPT #'S	SLJ	06/25/07	RA	07064395



INTERPRET DIMENSIONS AND TOLERANCES PER ANSI Y 14.5 UNLESS OTHERWISE SPECIFIED DIMENSIONS ARE IN INCHES.  
 TOLERANCES: ANGLES = ± .5° .XXX = ± .010  
 .X = ± .1 X = ± 1/16  
 .XX = ± .03 X = ± 1/16  
 DO NOT SCALE DRAWING

\*NOTE: DO NOT INSTALL OR SUPPLY ITEMS 1,2,5,6,7 OR 8 WHEN THE FOLLOWING OPTION IS ORDERED: 020-79999 & 020-70405



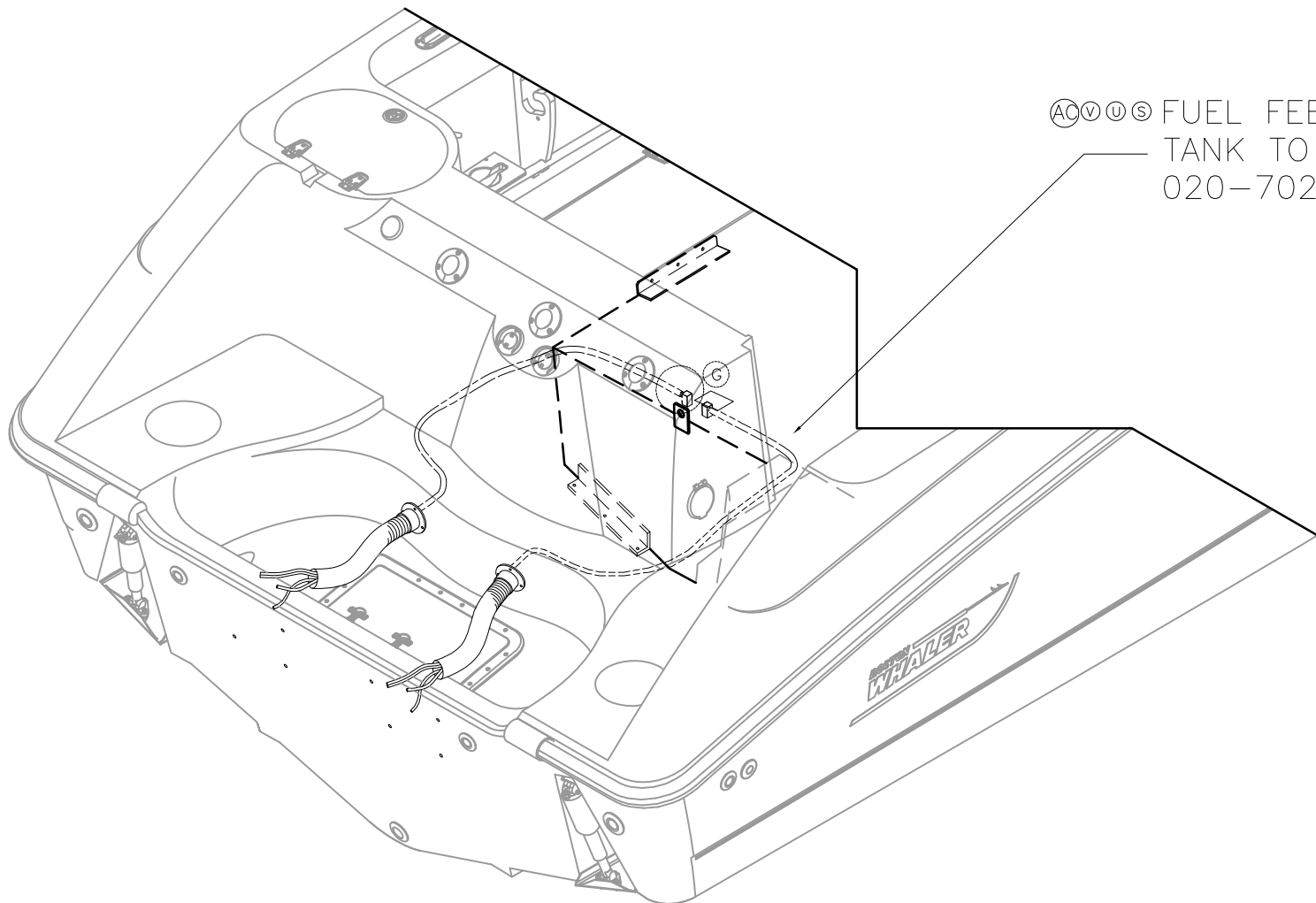
CHECKED: R. AVILA	DATE: 12/21/01	DRAWN: R. CRAVEN	DATE: 12/12/01	SCALE: NONE	BOAT MODEL	MOLD NO.
APPD: K. RANIERI	DATE: 12/21/01	DWG. TITLE:			2700R	
DESIGN: L. SCHOLZ	DATE: 1/10/02	Engine Installation			INIT. REL. ECN NO:	DWG. NO:
INT. ENG: M. GATICA	DATE: 1/17/02				010624	10201
					SHT. NO.	
					1	OF 3

THIS DOCUMENT IS THE PROPERTY OF BOSTON WHALER, INC. MFG. DEPT., EDGEWATER, FLORIDA. ALL RIGHTS ARE RESERVED. THIS DOCUMENT AND INFORMATION CONTAINED MUST NOT BE COPIED OR DISCLOSED TO OTHERS WITHOUT WRITTEN PERMISSION OF BOSTON WHALER, INC.

DWG. NO:  
10201

REV.  
AC

CURRENT ECD  
07064395



ⒶⓋⓇⓈ FUEL FEED HOSE ROUTING FROM TANK TO ENGINE WITH OPTION 020-70272 & 100-70402



INTERPRET DIMENSIONS AND TOLERANCES PER ANSI Y 14.5 UNLESS OTHERWISE SPECIFIED DIMENSIONS ARE IN INCHES.  
TOLERANCES: ANGLES = ± .5° .XXX = ± .010  
.X = ± .1 X = ± 1/16  
.XX = ± .03  
DO NOT SCALE DRAWING

DRAWN: R.CRAVEN

DATE: 12/12/01

SCALE: NONE

BOAT MODEL

MOLD NO.

2700R

DWG. TITLE:

Engine Installation

INIT. REL. ECN NO:

DWG. NO:

SHT. NO.

010624

10201

2 of 3

THIS DOCUMENT IS THE PROPERTY OF BOSTON WHALER, INC. MFG. DEPT., EDGEWATER, FLORIDA. ALL RIGHTS ARE RESERVED. THIS DOCUMENT AND INFORMATION CONTAINED MUST NOT BE COPIED OR DISCLOSED TO OTHERS WITHOUT WRITTEN PERMISSION OF BOSTON WHALER, INC.

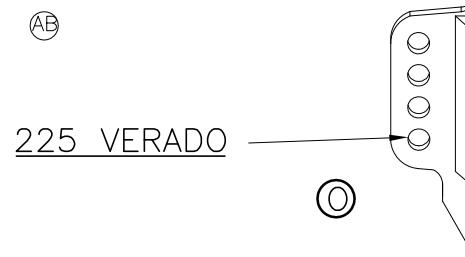
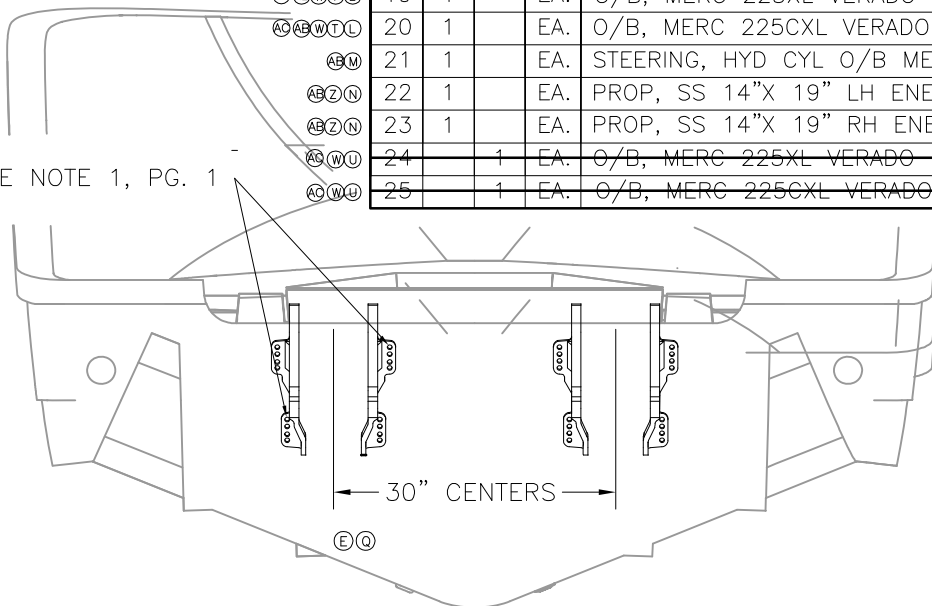
DWG. NO:  
10201

REV.  
AC

CURRENT ECD  
07064395

Parts List						
ITEM	QTY	OPT	U/M	DESCRIPTION	B.W.I.	NO.
ABX	1		EA.	O/B, MERC 200XL OPTI GEN 1	1847723	
ABX	2		EA.	O/B, MERC 200CXL OPTI GEN 1	1847724	
AXX	3	1	EA.	O/B, MERC 225XL OPTI GEN 1	1847729	
AXX	4	1	EA.	O/B, MERC 225CXL OPTI GEN 1	1847730	
J	5		EA.	PROP, 15.25"X 19" SS MIRAGE PLUS RH TWIN ENG	0147678	
J	6		EA.	PROP, 15.25"X 19" SS MIRAGE PLUS LH TWIN ENG	0226704	
AB	7	2	EA.	PRIMER BULB, W/FUEL LINE	1477900	
	8	2	EA.	BAG, POLY 33"X 40"X 33GAL HVY CLR	1143163	
A	9		FT.			
A	10	6	FT.	HOSE, 2"ID CABLE COVER (OUTBOARD) BLK	1042399	
CA	11	4	EA.	CLIP, SUPPORT 1"DIA	1216730	
CA	12	4	EA.	SCREW, TAPPING #8A x 5/8" PTH SC	1010925	
F	13	1	EA.	O/B, MERC F225XL EFI 4-STROKE 25" SHAFT	1750652	
F	14	1	EA.	O/B, MERC F225CXL EFI 4-STROKE 25" SHAFT	1750639	
ABJF	15	1	EA.	PROP, 14 5/8"X 21" SS REVOLUTION 4 RH	1738366	
ABJF	16	1	EA.	PROP, 14 5/8"X 21" SS REVOLUTION 4 LH	1738365	
RF	17		EA.	O/B, MERC 225XL OPTIMAX DTS 25"SHAFT SW	1753171	
RF	18		EA.	O/B, MERC 225CXL OPTIMAX DTS 25"SHAFT SW	1754400	
ADABWTL	19	1	EA.	O/B, MERC 225XL VERADO ED	1899605	
ADABWTL	20	1	EA.	O/B, MERC 225CXL VERADO ED	1899606	
ABM	21	1	EA.	STEERING, HYD CYL O/B MERC	1784177	
ABZN	22	1	EA.	PROP, SS 14"X 19" LH ENERTIA	1874917	
ABZN	23	1	EA.	PROP, SS 14"X 19" RH ENERTIA	1874916	
AVU	24	1	EA.	O/B, MERC 225XL VERADO EU GEN 1	1847735	
AVU	25	1	EA.	O/B, MERC 225CXL VERADO EU GEN 1	1847736	

SEE NOTE 1, PG. 1



INTERPRET DIMENSIONS AND TOLERANCES PER ANSI Y 14.5 UNLESS OTHERWISE SPECIFIED DIMENSIONS ARE IN INCHES.  
 TOLERANCES: ANGLES = ± .5° .XXX = ± .010  
 .X = ± .1 X = ± 1/16  
 .XX = ± .03

DO NOT SCALE DRAWING

DRAWN: R.CRAVEN DATE: 12/12/01 SCALE: NONE  
 DWG. TITLE: Engine Installation

BOAT MODEL: 2700R  
 INIT. REL. ECN NO: 010624

MOLD NO.  
 DWG. NO: 10201

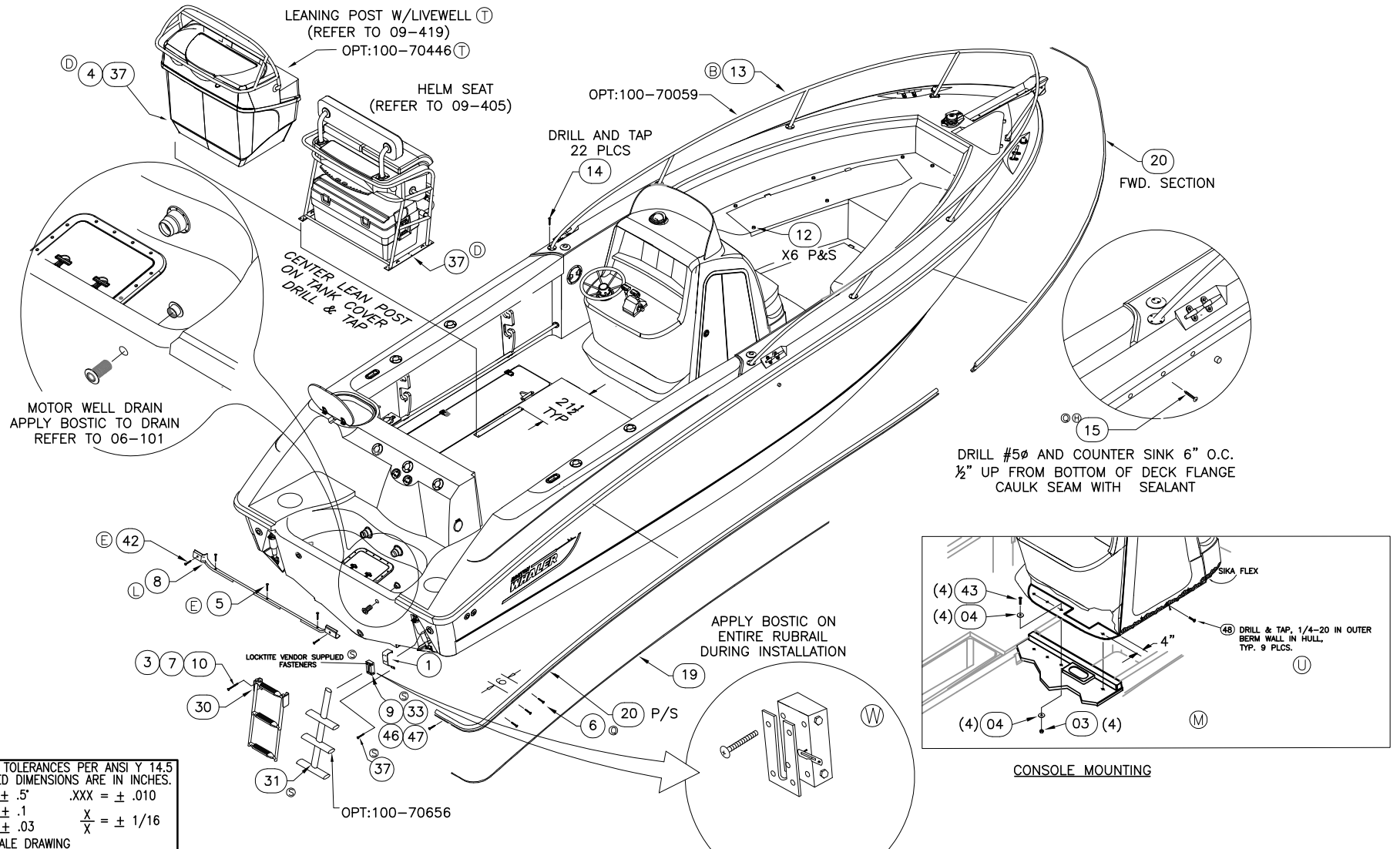
SHT. NO. 3 OF 3

THIS DOCUMENT IS THE PROPERTY OF BOSTON WHALER, INC. MFG. DEPT., EDGEWATER, FLORIDA. ALL RIGHTS ARE RESERVED. THIS DOCUMENT AND INFORMATION CONTAINED MUST NOT BE COPIED OR DISCLOSED TO OTHERS WITHOUT WRITTEN PERMISSION OF BOSTON WHALER, INC.

DWG. NO: 11201  
 REV. Y  
 CURRENT ECD 07054359

1. USE FIXTURE #27-35 WHEN INSTALLING THE DECK ONTO THE HULL.

REVISIONS					
REV.	DESCR.	BY	DATE	APPVD.	ECN NO.
U	REPLACED IPS W/SIKA, ADDED ITEM # 48 & DRILL & TAP TO CONSOLE. SHEETS 1 & 4	SLJ	05/31/06	AVM	060147
V	MYE 07: UPDATE VIEW OF ANCHOR ROLLER	SWH	8/2/06	MG	0604117
W	ADDED ITEMS 49 THRU 51, SHEETS 1 & 4. ADDED DETAIL VIEW SHEET 1	SLJ	09/15/06	AVM	06093637
X	DELETED ITEMS 49 THRU 51, SHEETS 1 & 4. COME WITH ITEM 9	SLJ	04/24/07	AVM	07044271
Y	DELETED OPTION 020-70250, MADE 020-70272 STANDARD	RJW	06/01/07	RA	07054359



INTERPRET DIMENSIONS AND TOLERANCES PER ANSI Y 14.5 UNLESS OTHERWISE SPECIFIED DIMENSIONS ARE IN INCHES.  
 TOLERANCES: ANGLES = ± .5°    .XXX = ± .010  
 .X = ± .1    X = ± 1/16  
 .XX = ± .03    X = ± 1/16  
 DO NOT SCALE DRAWING



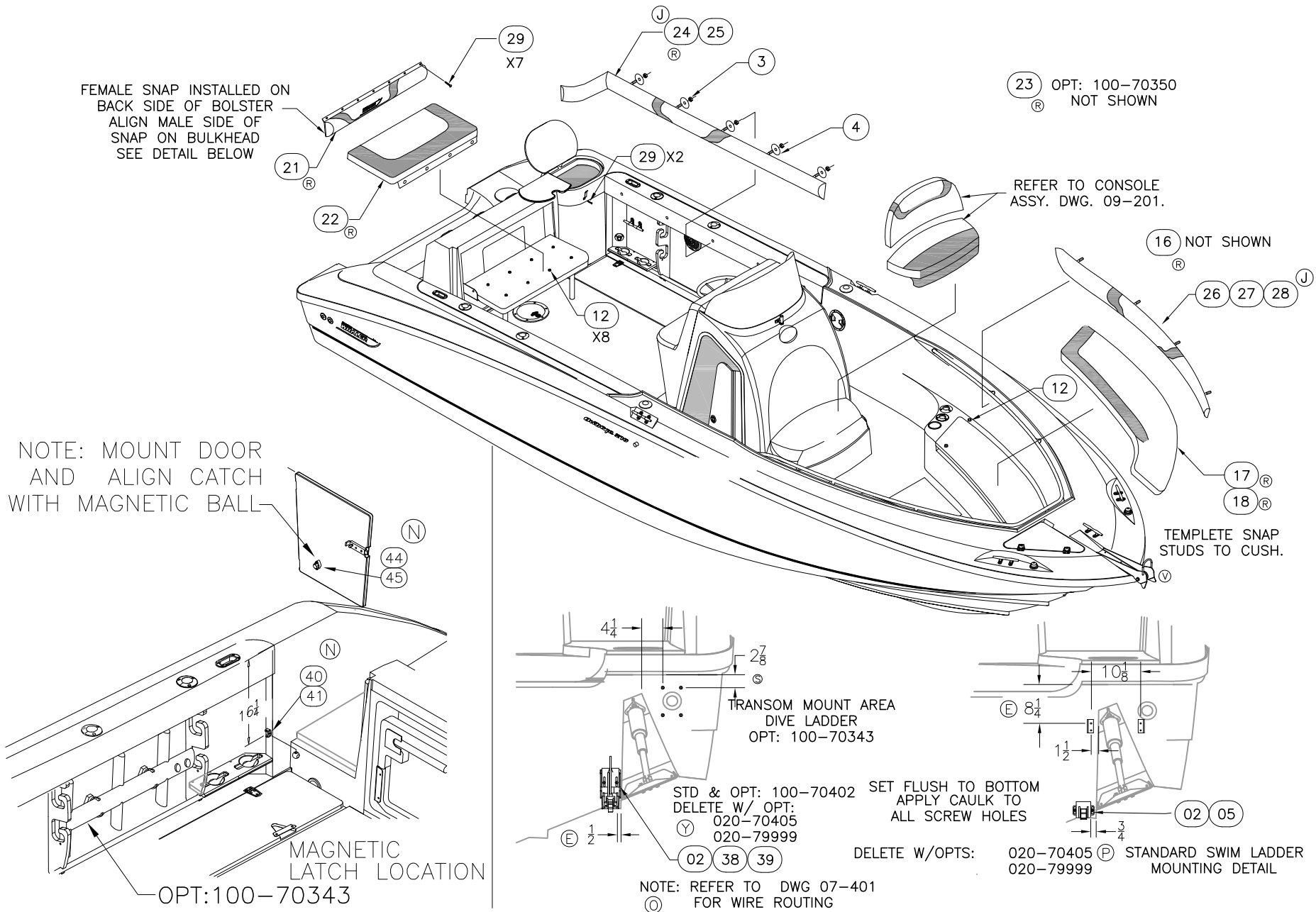
CHECKED: R. AVILA	DATE: 01/10/02	DRAWN: H READ	DATE: 12/11/01	SCALE: NONE	BOAT MODEL 2700R	MOLD NO.
APPD: K. RANIERI	DATE: 01/10/02	DWG. TITLE: EXTERIOR FINAL ASSEMBLY			INIT. REL. ECN NO: 010624	DWG. NO: 11201
DESIGN: L. SCHOLZ	DATE: 01/10/02					SHT. NO. 1 OF 4
INT. ENG: M. GATICA	DATE: 01/17/02					

THIS DOCUMENT IS THE PROPERTY OF BOSTON WHALER, INC. MFG. DEPT., EDGEWATER, FLORIDA. ALL RIGHTS ARE RESERVED. THIS DOCUMENT AND INFORMATION CONTAINED MUST NOT BE COPIED OR DISCLOSED TO OTHERS WITHOUT WRITTEN PERMISSION OF BOSTON WHALER, INC.

DWG. NO:  
11201

REV.  
Y

CURRENT ECD  
07054359



INTERPRET DIMENSIONS AND TOLERANCES PER ANSI Y 14.5 UNLESS OTHERWISE SPECIFIED DIMENSIONS ARE IN INCHES.  
TOLERANCES: ANGLES = ± .5° .XXX = ± .010  
.X = ± .1 .X = ± 1/16  
.XX = ± .03 X = ± 1/16  
DO NOT SCALE DRAWING

DRAWN: H READ DATE: 12/11/01 SCALE: NONE  
DWG. TITLE: EXTERIOR FINAL ASSEMBLY

BOAT MODEL  
2700R  
INIT. REL. ECN NO:  
010624

MOLD NO.  
DWG. NO:  
11201

SHT. NO.  
2 OF 4

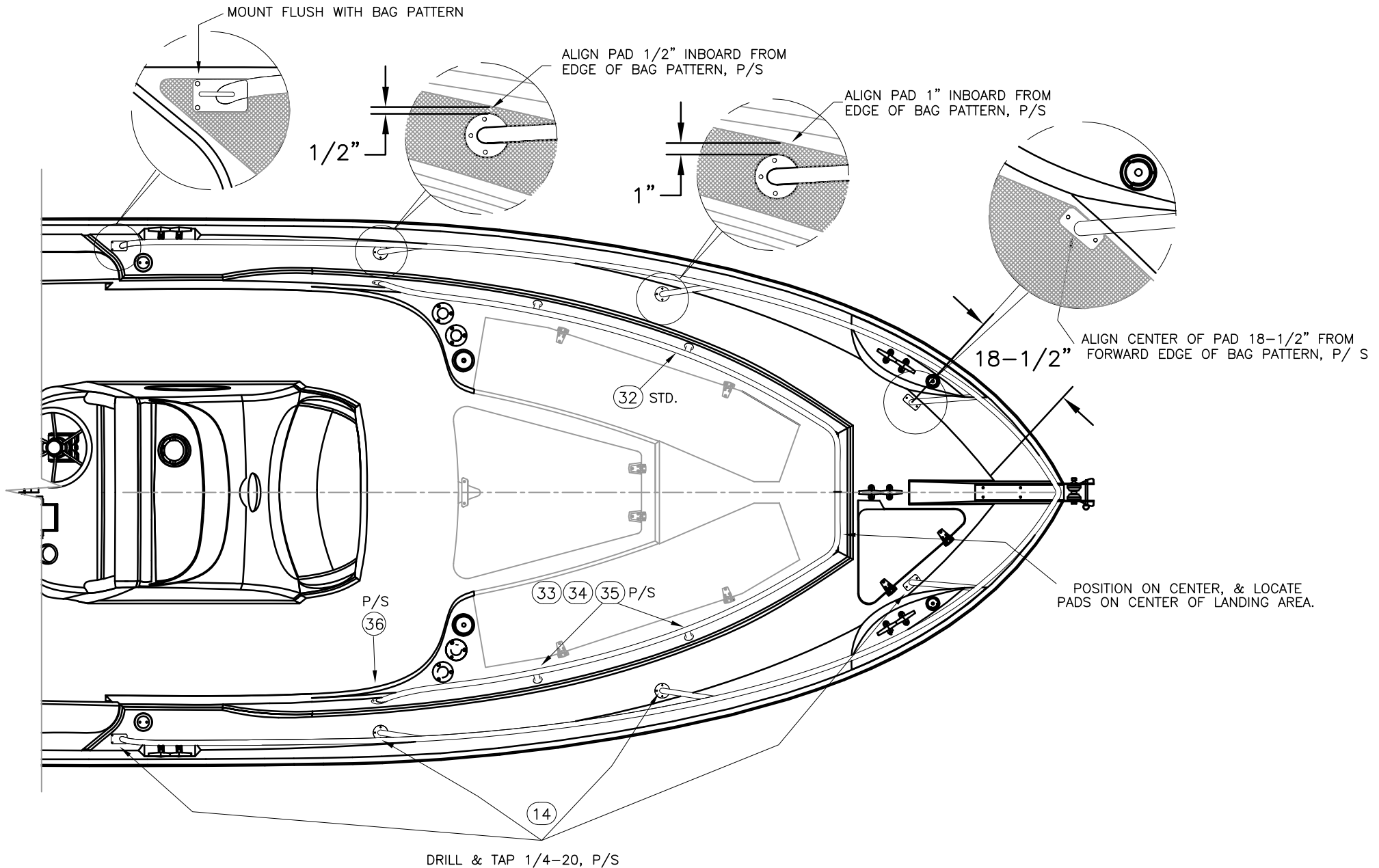


THIS DOCUMENT IS THE PROPERTY OF BOSTON WHALER, INC. MFG. DEPT., EDGEWATER, FLORIDA. ALL RIGHTS ARE RESERVED. THIS DOCUMENT AND INFORMATION CONTAINED MUST NOT BE COPIED OR DISCLOSED TO OTHERS WITHOUT WRITTEN PERMISSION OF BOSTON WHALER, INC.

DWG. NO:  
11201

REV.  
Y

CURRENT ECD  
07054359



DRILL & TAP 1/4-20, P/S



INTERPRET DIMENSIONS AND TOLERANCES PER ANSI Y 14.5 UNLESS OTHERWISE SPECIFIED DIMENSIONS ARE IN INCHES.  
 TOLERANCES: ANGLES = ± .5° .XXX = ± .010  
 .X = ± .1 X = ± 1/16  
 .XX = ± .03  
 DO NOT SCALE DRAWING

DRAWN: H READ

DATE: 12/11/01

SCALE: NONE

BOAT MODEL

MOLD NO.

DWG. TITLE:

EXTERIOR FINAL ASSEMBLY

2700R

INIT. REL. ECN NO:

010624

DWG. NO:

11201

SHT. NO.

3 of 4

THIS DOCUMENT IS THE PROPERTY OF BOSTON WHALER, INC. MFG. DEPT., EDGEWATER, FLORIDA. ALL RIGHTS ARE RESERVED. THIS DOCUMENT AND INFORMATION CONTAINED MUST NOT BE COPIED OR DISCLOSED TO OTHERS WITHOUT WRITTEN PERMISSION OF BOSTON WHALER, INC.


DWG. NO: 11201  
REV. Y  
CURRENT ECD 07054359

(Y) (L)  
 (S) (M)  
 (R) (M) (D)  
 (L)  
 (C)  
 (S)  
 (L)  
 (R)  
 (M)  
 (Q) (H)  
 (R)  
 (R)  
 (R)  
 (R)  
 (R) (J)  
 (R) (J)  
 (R) (J)  
 (R) (J)  
 (R) (J)  
 (R) (J)  
 (C)  
 (S) (C)  
 (C)  
 (C)  
 (C)  
 (S) (D)  
 (Y) (E)  
 (Y) (E)  
 (N)  
 (L)  
 (M)  
 (N)  
 (S)  
 (S)  
 (U)  
 (X) (W)  
 (X) (W)  
 (X) (W)

Parts List					
ITEM	STD	OPT	U/M	DESCRIPTION	B.W.I. NO.
1		1	EA.	BRACKET, 2.75" X 3.62" X 3" DIVE LADDER	1689416
2	1	1	EA.	ACC, PART MERC SPEEDOMETER/ TEMP DIGITAL	1477942
3	18	-	EA.	NUT, LOCK #1/4-20 SC STD	1009786
4	18	14	EA.	WASHER FENDER 1/4" x 1.25" SC	1260678
5	5		EA.	SCREW, TAPPING #10A x 1" PTH SC	1008739
6	150		EA.	SCREW, TAP #10A X 1.5" W/STP EPXY ORNG PFH SC	1814515
7	4	-	EA.	SCREW, MACHINE #1/4-20 x 3" PPH SC	1008622
8	1		EA.	CAP, RUBRAIL BW2700R-05 TRANS TRIM WHT	1771158
9		1	EA.	HINGE, DIVE LADDER BREAKAWAY	1833463
10	4	4	EA.	WASHER, FLAT, #1/4 SC	1260595
11	1		EA.	STRAP, NYLON 1" X 6.5" DOOR RESTRAINT BLK	1688675
12	24	4	EA.	SNAP STUD, W/ #8 x 3/8" PH BR/NI/SS	0203786
13		1	EA.	RAIL, BOW BW2700R-03 1" SS	1726916
14		22	EA.	SCREW, MACHINE 1/4-20 x 1.25" PPH SC	1260975
15	125		EA.	SCREW, TAP #10A X 1.25" W/STP EPXY ORNG PFH SC	1814516
16	1		EA.	CUSH, BW270-05 BOW FILLER	1781869
17	1		EA.	CUSH, BW2700R-05 FWD PORT	1781864
18	1		EA.	CUSH, BW2700R-05 FWD STBD	1781865
19	62		FT.	INSERT, RUB RAIL GREY FLEX VINYL	1688740
20	3		EA.	RUBRAIL, VINYL RIGID WHITE 20'	1688739
21	1		EA.	CUSH, BW2400R/2700R-05 STERN SEAT B/R	1781830
22	1		EA.	CUSH, BW2400R/2700R-05 STERN SEAT BASE	1781831
23		1	EA.	CUSH, BW2700R-05 SUN LOUNGE FILLER	1781868
24	1		EA.	BOLSTER, BW2700R-05 AFT PORT	1781870
25	1		EA.	BOLSTER, BW2700R-05 AFT STBD	1781871
26	1		EA.	BOLSTER, 2700R-05 FWD CTR	1781822
27	1		EA.	BOLSTER, BW2700R-05 FWD PORT	1781872
28	1		EA.	BOLSTER, BW2700R-05 FWD STBD	1781873
29	9		EA.	SCREW, TAPPING #10 x 3/4 PTH SC	1008762
30	1		EA.	LADDER, SWIM 3-STEP TELESCOP TRNSM MNT	1690178
31		1	EA.	LADDER, DIVE 3-STEP SS TRNSM MNT	1689415
32	1		EA.	RAIL, BW 2700R-02, INT BOW	1682418
33	4	4	EA.	SCREW, CAP 5/16" X 18 X 1.5" SC	1008044
34	4		EA.	WASHER, FENDER 5/16" X 1.5" SC	1326108
35	4		EA.	WASHER, LOCK/SPLIT 5/16" SC	1260611
36	2		EA.	SCREW, TAPPING #14A X 1" PPH SC	1008689
37	12	18	EA.	SCREW, MACHINE #1/4-20 X 1.5" PPH SC	1008598
38	1	1	EA.	ACC PART, MERC DEP FINDER/TRANS DUCER TRNS MNT	1738329
39	3	3	EA.	SCREW, TAPPING #10A x 2" PTH SC	1008754
40	1		EA.	HOLDER, MAGNET SHORT	1746047
41	2		EA.	SCREW, TAPPING #8A x 5/8" POH SC	1213354
42	2		EA.	SCREW, TAPPING #10A X 2.5" PTH SC	1760271
43	4		EA.	SCREW, MACHINE #1/4-20 X 2" PPH SC	1008614
44	1		EA.	SHIM, HDPE 3/4" BW-04 MAGNETIC HLDR SHORT	1758373
45	2		EA.	SCREW, TAPPING #8A X 1.25" POH SC	1213073
46		4	EA.	WASHER, FLAT #5/16" SC	1260785
47		4	EA.	NUT, HEX NYLON LOCK #5/16-18 SC	1007814
48	9		EA.	SCREW, MACHINE #1/4-20 X 1.25" PPH SC	1213289
49		1	EA.	LOCK, SLIDE BREAKAWAY HINGE SWIM LADDER	1879823
50		1	EA.	PLATE, MNTC BREAKAWAY HINGE SWIM LADDER	1879825
51		1	EA.	PIN, ROLL BREAKAWAY HINGE SWIM LADDER	1879824

MOLD NO.	BOAT MODEL 2700R	DATE: 12/11/01	SCALE: NONE	DWG. TITLE: <b>EXTERIOR FINAL ASSEMBLY</b>	SHT. NO. 4 OF 4
INIT. REL. EGN NO:	DWG. NO:				11201
	010624				

INTERPRET DIMENSIONS AND TOLERANCES PER ANSI Y 14.5  
 UNLESS OTHERWISE SPECIFIED DIMENSIONS ARE IN INCHES  
 TOLERANCES:  
 ANGLES = ± .5°  
 .X = ± .1  
 .XX = ± .03  
 .XXX = ± .010  
 X = ± 1/16  
 X̄ = ± 1/16  
 DO NOT SCALE DRAWING



**BOSTON WHALER**  
PRODUCT DEV. & MFG. ENGINEERING GROUP

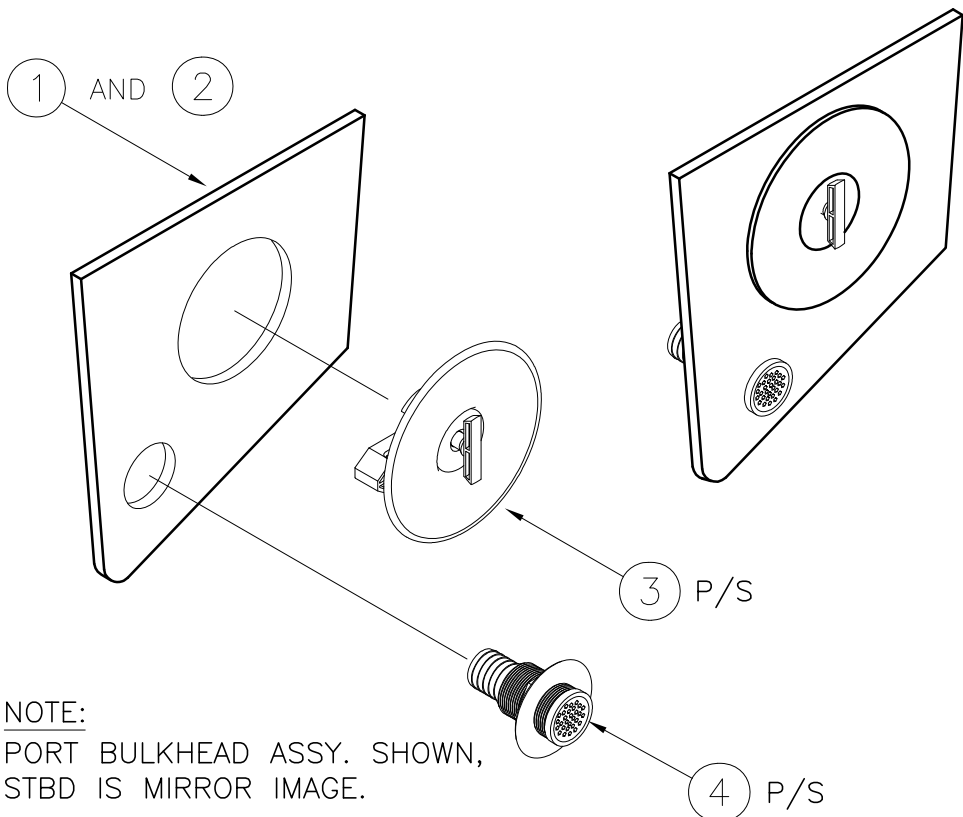
THIS DOCUMENT IS THE PROPERTY OF BOSTON WHALER, INC. MFG. DEPT., EDGEWATER, FLORIDA. ALL RIGHTS ARE RESERVED. THIS DOCUMENT AND INFORMATION CONTAINED MUST NOT BE COPIED OR DISCLOSED TO OTHERS WITHOUT WRITTEN PERMISSION OF BOSTON WHALER, INC.

DWG. NO: 09404 REV. D CURRENT ECD 060228

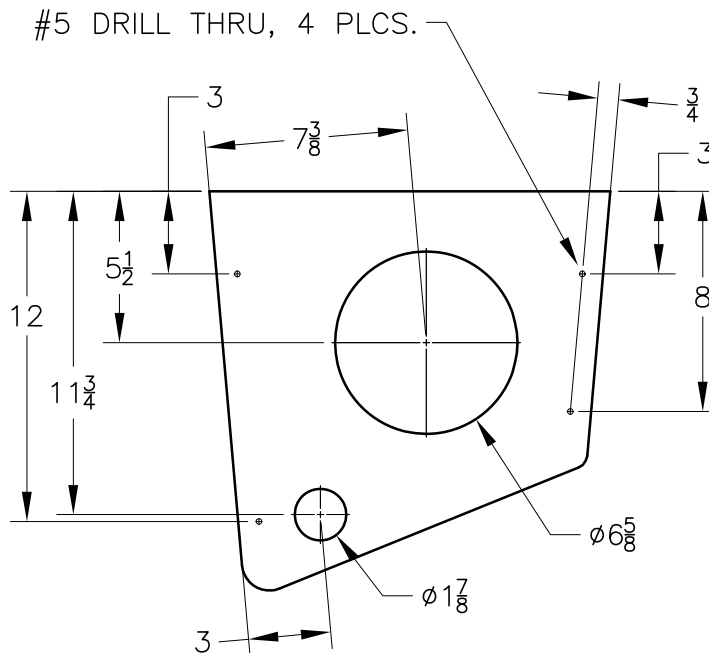
NOTES:

1. APPLY SEALANT TO DRAINS.
2. SEE DRAWING 06-151 FOR INSTALLATION OF CLOSEOUTS.

REVISIONS					
REV.	DESCR.	BY	DATE	APPVD.	ECN NO.
B	UPDATED DIMS SHOWN.	RD	11/06/01		01-06-24
C	Changed Numbering System/Apply Att.Border.	AVM	04/14/03		03-03-18
D	MODIFY DRAWING BORDER TO AN ATTRIBUTED BORDER	AVM	02/27/06	AVM	060228



ASSEMBLED VIEW



NOTE:

PORT BULKHEAD ASSY. SHOWN, STBD IS MIRROR IMAGE.

Parts List					
ITEM	QTY	U/M	DESCRIPTION	B.W.I.	NO.
1	1	EA.	FBRGLS FISHWELL CLOSEOUT -PORT	22-K080-00	
2	1	EA.	FBRGLS FISHWELL CLOSEOUT-STBD	22-K080-01	
3	2	EA.	DECK PLATE, CAP O-RING SEAL 6" ROUND WHT	1446582	
4	2	EA.	DRAIN, CKPT w/SCREEN	0995118	

INTERPRET DIMENSIONS AND TOLERANCES PER ANSI Y 14.5 UNLESS OTHERWISE SPECIFIED DIMENSIONS ARE IN INCHES.  
 TOLERANCES: ANGLES = ± .5° .XXX = ± .010  
 .X = ± .1 X = ± 1/16  
 .XX = ± .03 X = ± 1/16  
 DO NOT SCALE DRAWING



CHECKED: R. AVILA	DATE: 09/28/01	DRAWN: R CRAVEN	DATE: 09/25/01	SCALE: NONE	BOAT MODEL 2700R	MOLD NO.
APPD: K. RANIERI	DATE: 10/02/01	DWG. TITLE: FISHWELL CLOSEOUT SUB ASSY			INIT. REL. ECN NO: 010624	DWG. NO: 09404
DESIGN: L. SCHOLZ	DATE: 10/02/01					SHT. NO. 1 of 1
INT. ENG:	DATE:					

THIS DOCUMENT IS THE PROPERTY OF BOSTON WHALER, INC. MFG. DEPT., EDGEWATER, FLORIDA. ALL RIGHTS ARE RESERVED. THIS DOCUMENT AND INFORMATION CONTAINED MUST NOT BE COPIED OR DISCLOSED TO OTHERS WITHOUT WRITTEN PERMISSION OF BOSTON WHALER, INC.

DWG. NO:

09401

REV.

J

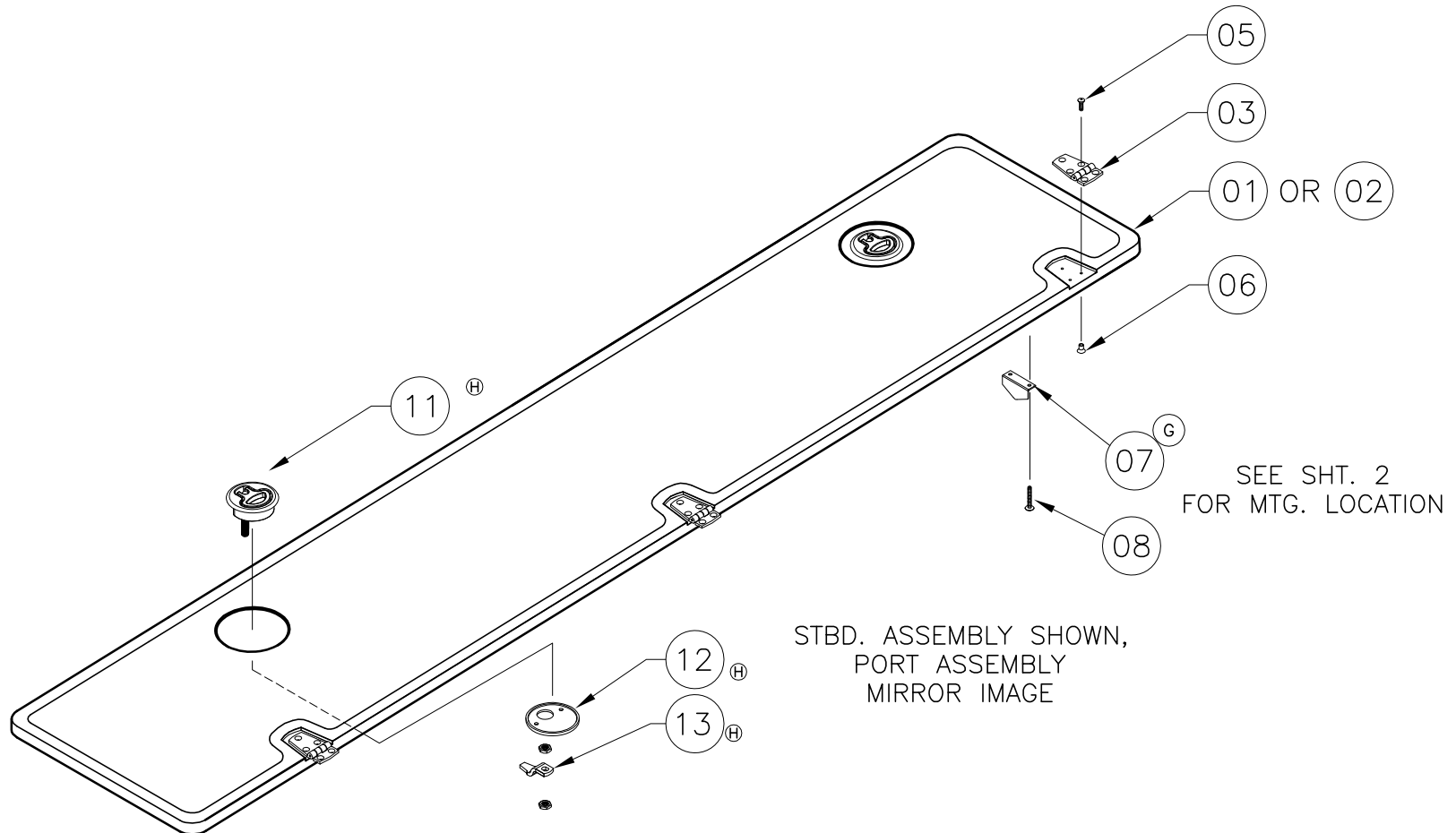
CURRENT ECD

060228

NOTES:

- REF. DWG. 05105 FOR PORT LAMINATION DETAILS.  
REF. DWG. 16105 FOR PORT TRIM & GRIND DETAILS.  
REF. DWG. 05128 FOR STBD LAMINATION DETAILS.  
REF. DWG. 16128 FOR STBD TRIM & GRIND DETAILS.
- ALL FASTENERS SHALL BE SEALED USING WHITE SILICONE SEALANT DURING INSTALL'N. SEALANT SHALL BE SMOOTHED OVER ON BARREL NUTS.
- CLEAN FG SURFACE W/ALCOHOL PRIOR TO PLACING GASKET. (F)

REVISIONS					
REV.	DESCR.	BY	DATE	APPVD.	ECN NO.
G	MODIFIED BRACKET DETAIL TO REFLECT SMALLER SHOCK BRACKET, SHEET 1.	SL	04/13/05	ME	050414
H	MYE'06: ADDED #11- #13; DELETED #4 & #9; #1 WAS K062-00; #2 WAS K062-01; #7 WAS 0817676, #8 WAS 1213123	MRZ	06/07/05	ME	050542
I	#07 MOUNTING LOCATION DIM 4-1/4 WAS 3, ANGLE 29° WAS 35° & 41-3/16 WAS 41-1/8.	SL	09/08/05	ME	050902
J	MODIFY DRAWING BORDER TO AN ATTRIBUTED BORDER	TS	02/27/06	AVM	060228



INTERPRET DIMENSIONS AND TOLERANCES PER ANSI Y 14.5 UNLESS OTHERWISE SPECIFIED DIMENSIONS ARE IN INCHES.  
TOLERANCES: ANGLES = ± .5° .XXX = ± .010  
.X = ± .1 .XX = ± .03 X/X = ± 1/16  
DO NOT SCALE DRAWING

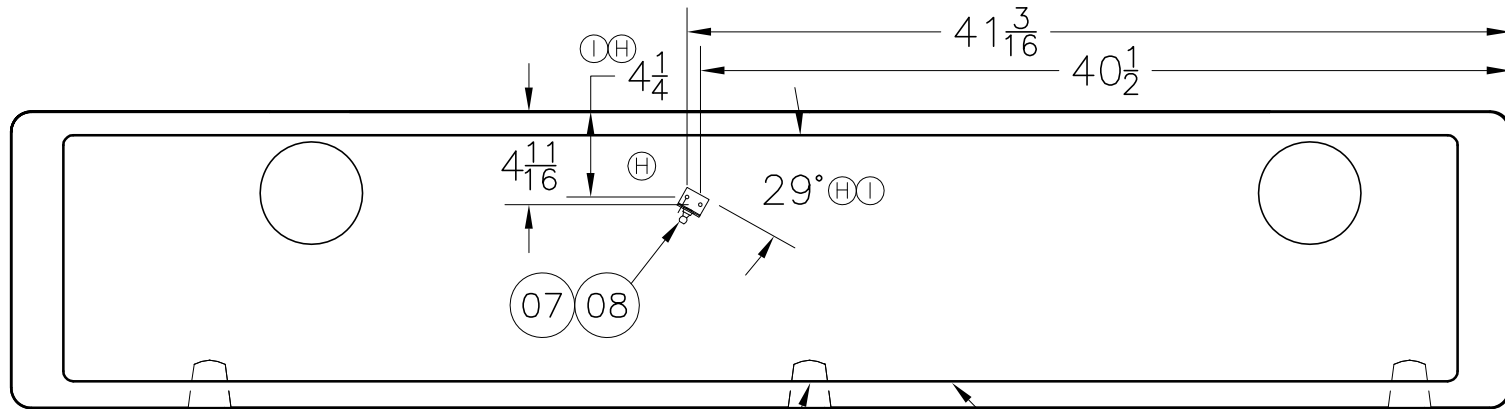


CHECKED: R. AVILA	DATE: 10/10/01	DRAWN: R DURHAM	DATE: 10/08/01	SCALE: NONE	BOAT MODEL	MOLD NO.
APPD: KR	DATE: 10/10/01	DWG. TITLE:			2700R	
DESIGN: L. SCHOLZ	DATE: 10/10/01	FISHWELL COVER SUB ASSY PORT STB			INIT. REL. ECN NO:	DWG. NO:
INT. ENG: M. GATICA	DATE: 1/17/02				010624	09401
					SHT. NO.	
					1	of 2

NOTES:

# PARTS LIST

ITEM	QTY.	U/M	DESCRIPTION	B.W.I. NO.
Ⓜ 01	1	EA.	FISHWELL COVER, PORT	22-K222-00
Ⓜ 02	1	EA.	FISHWELL COVER, STBD	22-K223-00
03	3	EA.	HINGE, DOOR SS 1.5"X 3" THINLINE	1617323
Ⓜ 04	2	EA.	HANDLE, SS BW280CQ/OR-00 HATCH	1369677
Ⓟ 05	9	EA.	SCREW, MACHINE #10-24 X 1/2" POH SC	1008432
06	13	EA.	NUT, BBL #10-24 X 3/8" FH	1040187
Ⓜ Ⓞ Ⓜ 07	1	EA.	BRACKET, SS LIFT CYL 90DEG 1"W/STUD	1688166
Ⓜ 08	2	EA.	SCREW, TAPPING #8A X 5/8" PTH SC	1010925
Ⓜ 09	4	EA.	SCREW, MACHINE #10-24 x 3/4" POH SC	1008440
ⓕ 10	28	FT.	TRIM-SEAL, #X1568HT 3/4"X 1/16" SELF-ADH BLK	1769583
Ⓜ 11	2	EA.	LATCH, COMPRESSION 2.5"N/LOCKING SS	1781446
Ⓜ 12	2	EA.	PLATE, SHALLOW 2.5"W/1/16" LIP HDWR PKG SS	1793455
Ⓜ 13	2	EA.	CATCH, PAWL 2.5"OFFSET MEDIUM SS	1781463



VIEW ON UNDERSIDE OF PORT COVER,  
PORT COVER IS MIRROR IMAGE

P.O.B.

10 ⓕ

FWD →

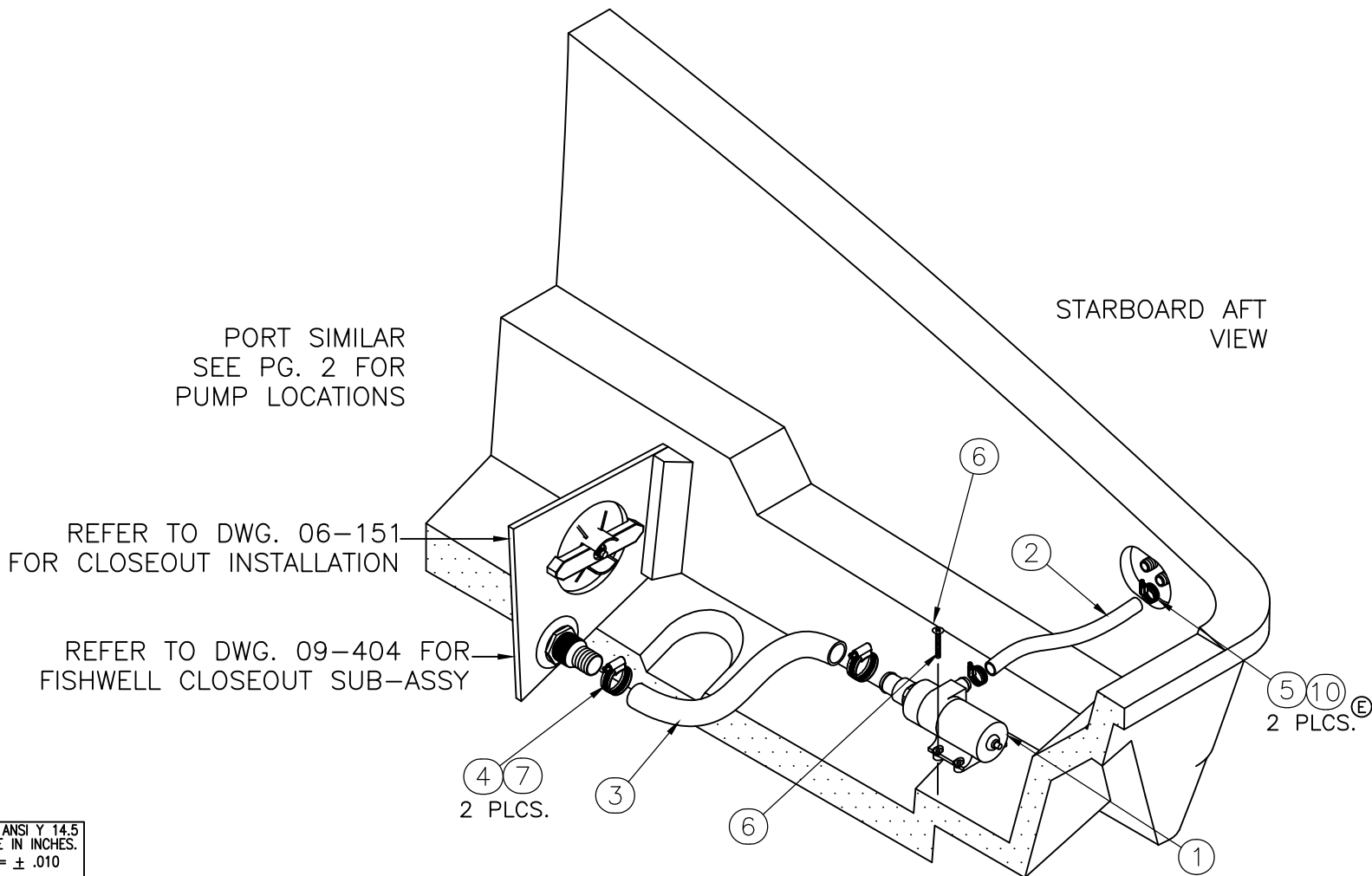
THIS DOCUMENT IS THE PROPERTY OF BOSTON WHALER, INC. MFG. DEPT., EDGEWATER, FLORIDA. ALL RIGHTS ARE RESERVED. THIS DOCUMENT AND INFORMATION CONTAINED MUST NOT BE COPIED OR DISCLOSED TO OTHERS WITHOUT WRITTEN PERMISSION OF BOSTON WHALER, INC.

DWG. NO: 08403 REV. H CURRENT ECD 060228

NOTES:

1. ALL THRU HULLS SHALL BE INSTALLED USING MARINE ADHESIVE ON INTERNAL & EXTERNAL GEL COAT SURFACES.
2. ALL FASTENINGS INTO THE HULL MUST BE SEALED WITH MARINE ADHESIVE SEATED FLUSH AND HAVE NO BURRS.
3. USE DRILLING FIXTURES (SEE DWG. LIST 01-201)

REVISIONS					
REV.	DESCR.	BY	DATE	APPVD.	ECN NO.
C	2004 MODEL YEAR ENHANCEMENTS	HJR	05/09/03	ZAC	03-03-46
D	Changed Numbering System/Apply Att.Border.	AVM	06/09/03	ZAC	03-03-18
E	#5 WAS 123406; ITEM 7 WAS QTY 11; ADDED #10	HJR	02/27/04	ZAC	03-03-28
F	MYE 2005: MOVED LOCATION OF FWD. FISHBOX PUMP OUT THRU HULL	JED	04/19/04	SH	04-01-46
G	MYE '06: MOVED THRU HULL FROM BOTTOM TO PORT SIDE. ADDED #11,12,13, DELETED #8,9, #5 & #10 WAS QNTY 7	MRZ	04/06/05	MG	05-03-39
H	MODIFY DRAWING BORDER TO AN ATTRIBUTED BORDER	AVM	03/02/06	AVM	060228



INTERPRET DIMENSIONS AND TOLERANCES PER ANSI Y 14.5 UNLESS OTHERWISE SPECIFIED DIMENSIONS ARE IN INCHES.  
 TOLERANCES: ANGLES = ± .5° .XXX = ± .010  
 .X = ± .1 X = ± 1/16  
 .XX = ± .03 X = ± 1/16  
 DO NOT SCALE DRAWING



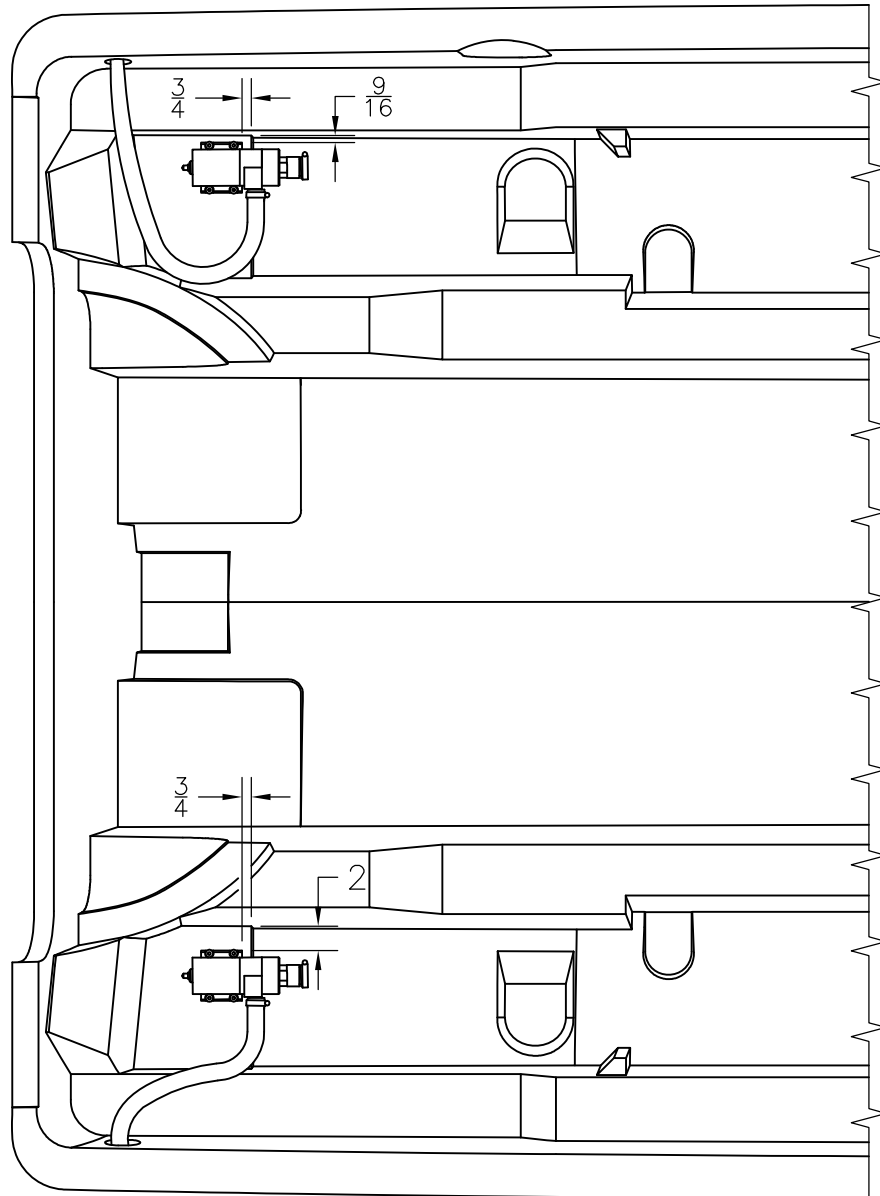
CHECKED: R. AVILA	DATE: 11/08/01	DRAWN: R CRAVEN	DATE: 11/07/01	SCALE: NONE	BOAT MODEL 2700R	MOLD NO.
APPD: K. RANIERI	DATE: 11/07/01	DWG. TITLE: FISHWELL PUMPOUTS			INIT. REL. ECN NO: 010634	DWG. NO: 08403
DESIGN: L. SCHOLZ	DATE: 11/08/01				SHT. NO. 1 of 4	
INT. ENG: S. HIESTER	DATE: 06/01/04					

THIS DOCUMENT IS THE PROPERTY OF BOSTON WHALER, INC. MFG. DEPT., EDGEWATER, FLORIDA. ALL RIGHTS ARE RESERVED. THIS DOCUMENT AND INFORMATION CONTAINED MUST NOT BE COPIED OR DISCLOSED TO OTHERS WITHOUT WRITTEN PERMISSION OF BOSTON WHALER, INC.

DWG. NO:  
08403

REV.  
H

CURRENT ECD  
060228



INTERPRET DIMENSIONS AND TOLERANCES PER ANSI Y 14.5 UNLESS OTHERWISE SPECIFIED DIMENSIONS ARE IN INCHES.  
 TOLERANCES: ANGLES = ± .5° .XXX = ± .010  
 .X = ± .1 X = ± 1/16  
 .XX = ± .03  
 DO NOT SCALE DRAWING

DRAWN: R CRAVEN DATE: 11/07/01 SCALE: NONE

DWG. TITLE:  
FISHWELL PUMPOUTS

BOAT MODEL  
2700R

MOLD NO.

INIT. REL. ECN NO:  
010634

DWG. NO:  
08403

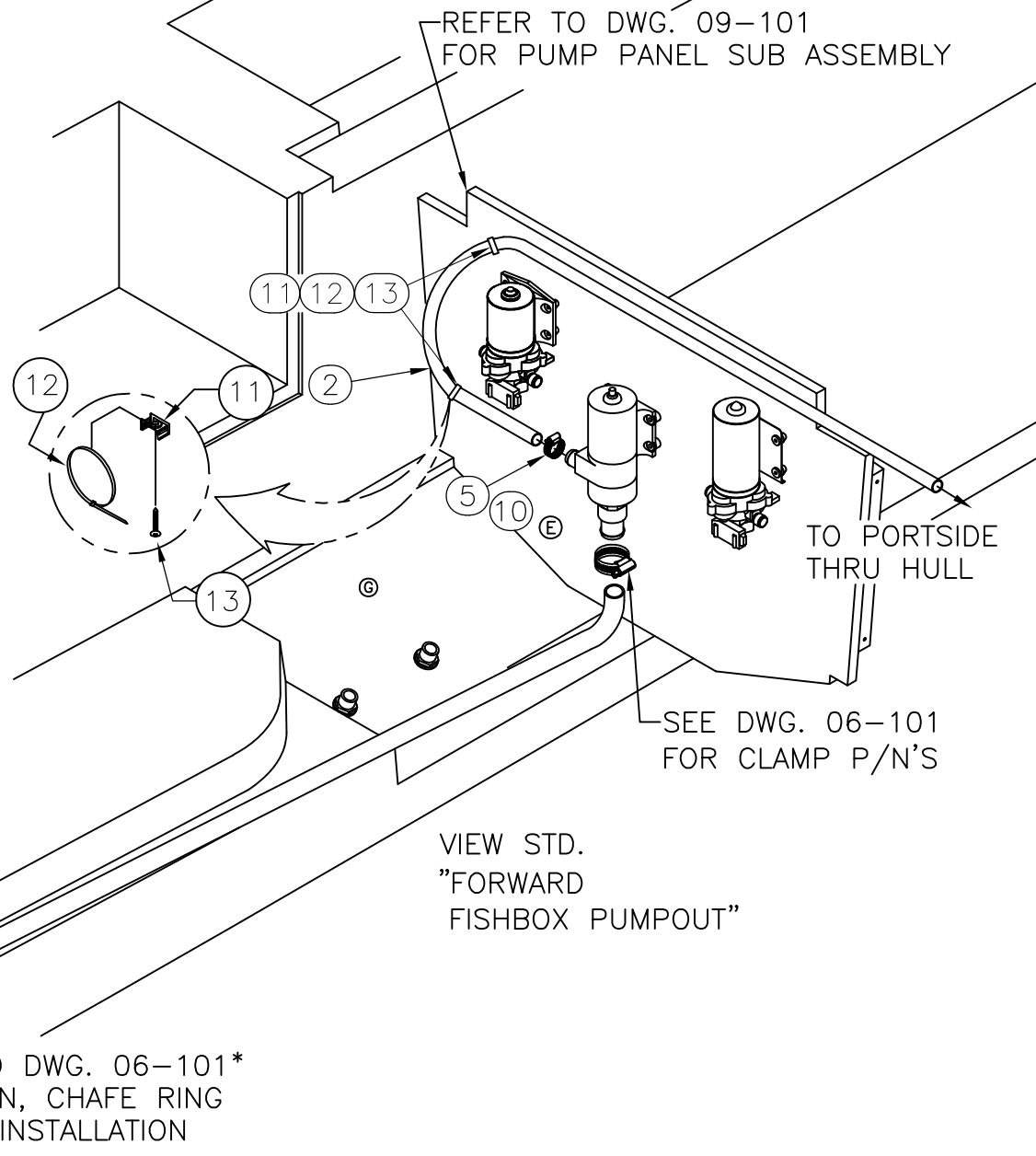
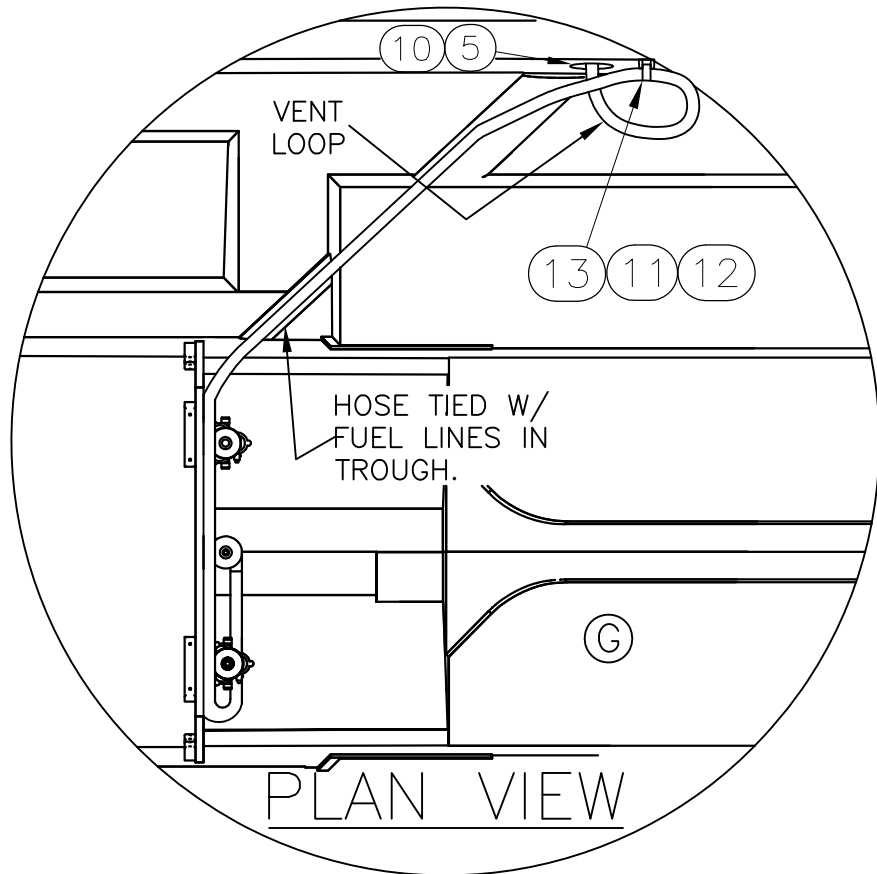
SHT. NO.  
2 OF 4

THIS DOCUMENT IS THE PROPERTY OF BOSTON WHALER, INC. MFG. DEPT., EDGEWATER, FLORIDA. ALL RIGHTS ARE RESERVED. THIS DOCUMENT AND INFORMATION CONTAINED MUST NOT BE COPIED OR DISCLOSED TO OTHERS WITHOUT WRITTEN PERMISSION OF BOSTON WHALER, INC.

DWG. NO:  
08403

REV.  
H

CURRENT ECD  
060228





Parts List

ITEM	STD	U/M	DESCRIPTION	B.W.I. NO.
Ⓐ 1	2	EA.	PUMP, HEAD SYS MACERATOR 12V EPOXY	1718984
		FT.	HOSE, GEN PURPOSE 1"	0196667
Ⓑ 3		FT.	HOSE, SANI/SMOOTH WALL 1.5"	1746048
	4	EA.	CLAMP, HOSE #24 1"-2" SS .505	0256693
Ⓙ 5	6	EA.	CLAMP, HOSE #12 1/2"-1.25" SS .505	0256677
	8	EA.	SCREW, TAPPING #10A x1.5" PTH SC	1008747
Ⓚ 7	4	EA.	COVER, CLAMP END PROT 1/2"L x .035" x	0830976
Ⓒ 8	1	EA.	ELBOW, MARELON 1" MPT x 1" BARB x 90 DEG	0995555
Ⓒ 9	1	EA.	VALVE, MARELON BALL 2-WAY 1"	0581355
Ⓚ 10	6	EA.	COVER, CLAMP END PRT 1/2" X .045 RED	0830968
Ⓒ 11	3	EA.	TIE, CLIP BLK	1031764
Ⓒ 12	3	EA.	TIE, CABLE 11" MED NYLON BLK	0157321
Ⓒ 13	3	EA.	SCREW, TAPPING #8A X 5/8" PTH SC	1010925



INTERPRET DIMENSIONS AND TOLERANCES PER ANSI Y 14.5 UNLESS OTHERWISE SPECIFIED DIMENSIONS ARE IN INCHES.  
 TOLERANCES: ANGLES = ± .5° .XXX = ± .010  
 .X = ± .1 X = ± 1/16  
 .XX = ± .03  
 DO NOT SCALE DRAWING

DRAWN: R CRAVEN DATE: 11/07/01 SCALE: NONE  
 DWG. TITLE: FISHWELL PUMPOUTS

BOAT MODEL 2700R	MOLD NO.
INIT. REL. ECN NO: 010634	DWG. NO: 08403
SHT. NO. 4 OF 4	

THIS DOCUMENT IS THE PROPERTY OF BOSTON WHALER, INC. MFG. DEPT., EDGEWATER, FLORIDA. ALL RIGHTS ARE RESERVED. THIS DOCUMENT AND INFORMATION CONTAINED MUST NOT BE COPIED OR DISCLOSED TO OTHERS WITHOUT WRITTEN PERMISSION OF BOSTON WHALER, INC.

DWG. NO:  
06701

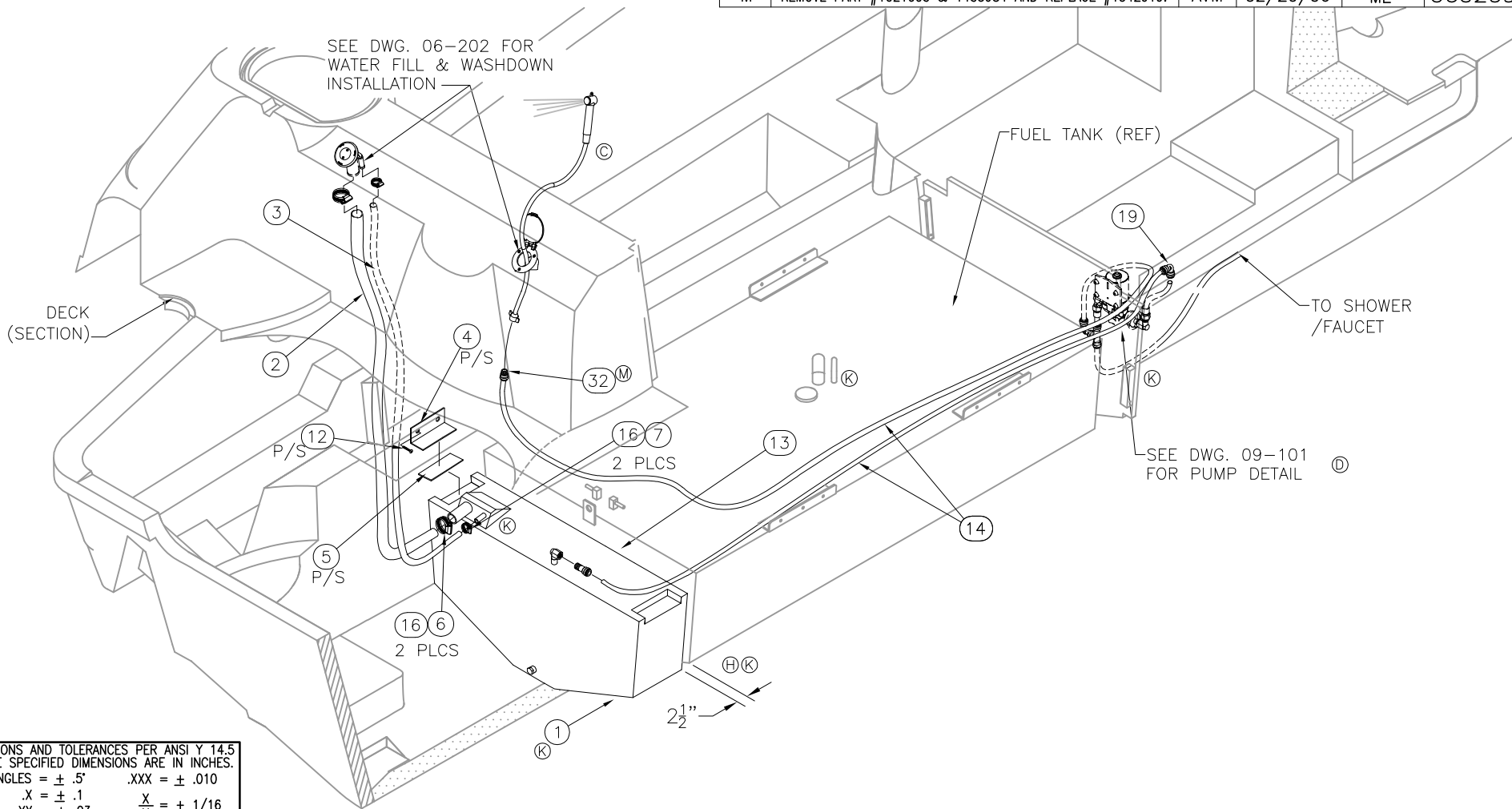
REV.  
L

CURRENT ECD  
050325

NOTES:

1. REFER TO DWG. 01-251 FOR ALL HOSE & TUBING CUT LENGTHS.
2. USE TEFLON TAPE ON ALL THREADED CONNECTIONS.
3. TUBING & HOSE SHALL BE SUPPORTED EVERY 14" MAX. EXCEPT WHERE LAYING IN A TROUGH.

REVISIONS					
REV.	DESCR.	BY	DATE	APPVD.	ECN NO.
E	Changed Numbering System/Apply Att.Border.	AVM	04/14/03	ZAC	03-03-18
F	CHANGED PN# & DESCRIPTION ITEMS 13, 14, 17, 18 & 19, SHEET 3	SLJ	07/28/03	ZAC	03-07-08
G	DELETED 1EA. ITEM 13 SHEETS 1 & 3; ADDED ITEMS 26 & 27 SHEETS 1 & 3	SLJ	07/28/03	ZAC	03-07-08
H	3" DIM WAS 1", SHEET 1.	SL	12/15/03	ZAC	03-10-09
J	#24 WAS 0123406; ADDED #28	HJR	02/27/04	ZAC	03-03-28
K	MYE 2005: 2-1/2" DIM. WAS 3", MOVED FILL, VENT, & PICKUP LOCATIONS, MOVED BULKHEAD, FUEL TANK & WATER TANK FWD., SHT. 1, ITEM #1 WAS 1677541	JED	04/22/04	SH	04-01-46
L	ADDED DRAIN DETAIL, SHEET 2. ADDED ITEMS 28-31, SHEETS 2 & 3	SLJ	12/02/05	ME	050325
M	REMOVE PART #1021005 & 1453984 AND REPLACE #1542919.	AVM	02/20/06	ME	060209



INTERPRET DIMENSIONS AND TOLERANCES PER ANSI Y 14.5 UNLESS OTHERWISE SPECIFIED DIMENSIONS ARE IN INCHES.  
 TOLERANCES: ANGLES = ± .5° .XXX = ± .010  
 .X = ± .1 X = ± 1/16  
 .XX = ± .03 X = ± 1/16  
 DO NOT SCALE DRAWING



CHECKED: R. AVILA	DATE: 10/12/01	DRAWN: R CRAVEN	DATE: 10/05/01	SCALE: NONE	BOAT MODEL	MOLD NO.
APPD: K. RANIERI	DATE: 10/15/01	DWG. TITLE:			2700R	
DESIGN: L. SCHOLZ	DATE: 10/15/01	FRESH WATER SYSTEM			INIT. REL. ECN NO:	DWG. NO:
INT. ENG: M. GATICA	DATE: 10/28/03				010624	06701
					SHT. NO.	
					1	of 3

THIS DOCUMENT IS THE PROPERTY OF BOSTON WHALER, INC. MFG. DEPT., EDGEWATER, FLORIDA. ALL RIGHTS ARE RESERVED. THIS DOCUMENT AND INFORMATION CONTAINED MUST NOT BE COPIED OR DISCLOSED TO OTHERS WITHOUT WRITTEN PERMISSION OF BOSTON WHALER, INC.

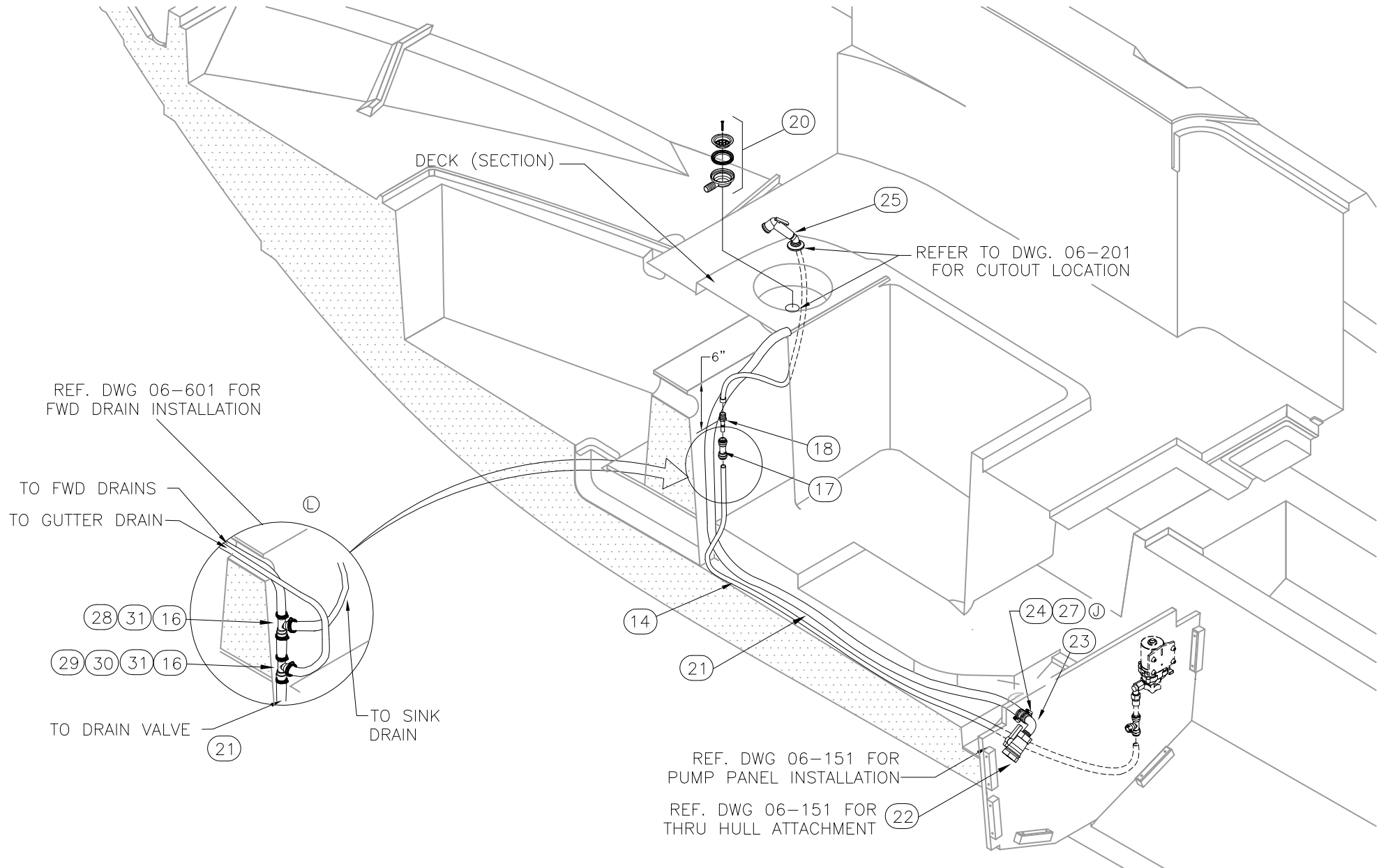
DWG. NO:  
06701

REV.  
M

CURRENT ECD  
060209

NOTES:

- REFER TO DWG. 01-251 FOR ALL HOSE & TUBING CUT LENGTHS.



INTERPRET DIMENSIONS AND TOLERANCES PER ANSI Y 14.5 UNLESS OTHERWISE SPECIFIED DIMENSIONS ARE IN INCHES.  
 TOLERANCES: ANGLES = ± .5° .XXX = ± .010  
 .X = ± .1 X = ± 1/16  
 .XX = ± .03

DO NOT SCALE DRAWING

DRAWN: R CRAVEN DATE: 10/05/01 SCALE: NONE

DWG. TITLE:

FRESH WATER SYSTEM

BOAT MODEL

2700R

INIT. REL. ECN NO:

010624

MOLD NO.

DWG. NO:

06701

SHT. NO.

2 OF 3

THIS DOCUMENT IS THE PROPERTY OF BOSTON WHALER, INC. MFG. DEPT., EDGEWATER, FLORIDA. ALL RIGHTS ARE RESERVED. THIS DOCUMENT AND INFORMATION CONTAINED MUST NOT BE COPIED OR DISCLOSED TO OTHERS WITHOUT WRITTEN PERMISSION OF BOSTON WHALER, INC.

DWG. NO:  
06701

REV.  
M

CURRENT ECD  
060209

Parts List

ITEM	QTY		U/M	DESCRIPTION	B.W.I.	NO.
	STD	OPT				
Ⓚ	1		EA.	TANK, WATER BW2700R-05 - 20GAL	1777731	
	2	0	FT.	HOSE, SANI/SMOOTH WALL 1.5"	0123844	
	3	0	FT.	HOSE, SANI/CHEMICAL TDX 5/8"	0124719	
	4	2	EA.	BRACKET, PVC 2"x2"x1.4"x6"	1547280	
	5	2	EA.	RUBBER PAD, BW FUEL TANK 2" x 6"	1042407	
	6	2	EA.	CLAMP, HOSE #24 1"-2" SS .505	0256693	
	7	2	EA.	CLAMP, HOSE #10 1/2"-1 1/8" SS .505	0263954	
Ⓛ	8	2	EA.	ELBOW, ACETAL 1/2"MPT X 1/2"FPT X 90DEG	0172551	
Ⓛ	9	2	EA.	ADAPTER, WHALE 1/2"F-15MM BRASS	1137041	
ⓁⓀ	10	1	EA.	TEE, WHALE EQUAL 15MM	0909929	
Ⓛ	11	1	EA.	ELBOW, WHALE 90DEG STEM 15MM	0909978	
	12	4	EA.	SCREW, TAPPING #14 x 1" PPH SC	1008689	
ⓁⓁ	13	1	EA.	ADAPTER, SEATECH STRAIGHT 1/2"MPT-15MM	1542919	
Ⓛ	14	0	FT.	TUBING, SEATECH 15MM X 11MM BLUE	1210160	
Ⓛ	15	1	EA.	FILTER, IN-LINE WATER 1/2" FPT	0406710	
Ⓛ	16	10	EA.	COVER, CLAMP END PROT 1/2"x.035"Wx.300 THK. RED	0830976	
ⓁⓀ	17	1	EA.	COUPLING, SEATECH EQUAL 15MM	1224526	
ⓁⓀ	18	1	EA.	ADAPTER, SEATECH 3/8"BSP MALE 15MM STEM PLAS	1543289	
Ⓛ	19	1	EA.	ELBOW, SEATECH 90DEG EQUAL 15MM	1214832	
Ⓚ	20	1	EA.	DRAIN ASSY, FLUSH MNT W/1" HOSE BAR	0886200	
Ⓚ	21	0	FT.	HOSE, GEN PURPOSE 1"	0196667	
Ⓚ	22	1	EA.	VALVE, MARELON BALL 2-WAY 1"	0581355	
Ⓚ	23	1	EA.	ELBOW, MARELON 1"MPT X 1"BARB X 90D	0995555	
ⓁⓀ	24	4	EA.	CLAMP, HOSE #12 1/2"-1.25" SS	0256677	
Ⓚ	25	1	EA.	SHOWER, SPRAY NOZZLE ANGLE BASE W/WHT HOSE	0785246	
Ⓛ	26	1	EA.	FITTING, NEPT 1/2"FEM SWVL BLK	1453984	
Ⓛ	27	1	EA.	COUPLING, ACETAL 1/2"MPT X 1/2"NPT	1021005	
Ⓛ	28	4	EA.	COVER, CLAMP END PRT 1/2" X .045 RED	0830968	
Ⓛ	28	1	EA.	TEE, PVC 1"BARB X 1"BARB X 1"BARB	354886	
Ⓛ	29	1	EA.	TEE, PVC 1"BARB X 1"BARB X 3/4"BARB	649723	
Ⓛ	30	1	EA.	CLAMP, HOSE #12 1/2"-1.25" SS .505	256677	
Ⓛ	31	5	EA.	CLAMP, HOSE #16 3/4"-1.5" SS .505	256685	
Ⓛ	32	1	EA.	ADAPTER, SEATECH STRAIGHT 1/2"MPT-15MM	1542919	



INTERPRET DIMENSIONS AND TOLERANCES PER ANSI Y 14.5 UNLESS OTHERWISE SPECIFIED DIMENSIONS ARE IN INCHES.  
 TOLERANCES: ANGLES = ± .5° .XXX = ± .010  
 .X = ± .1 X = ± 1/16  
 .XX = ± .03

DO NOT SCALE DRAWING

DRAWN: R CRAVEN

DATE: 10/05/01

SCALE: NONE

BOAT MODEL

MOLD NO.

2700R

DWG. TITLE:

FRESH WATER SYSTEM

INIT. REL. ECN NO:

DWG. NO:

SHT. NO.

010624

06701

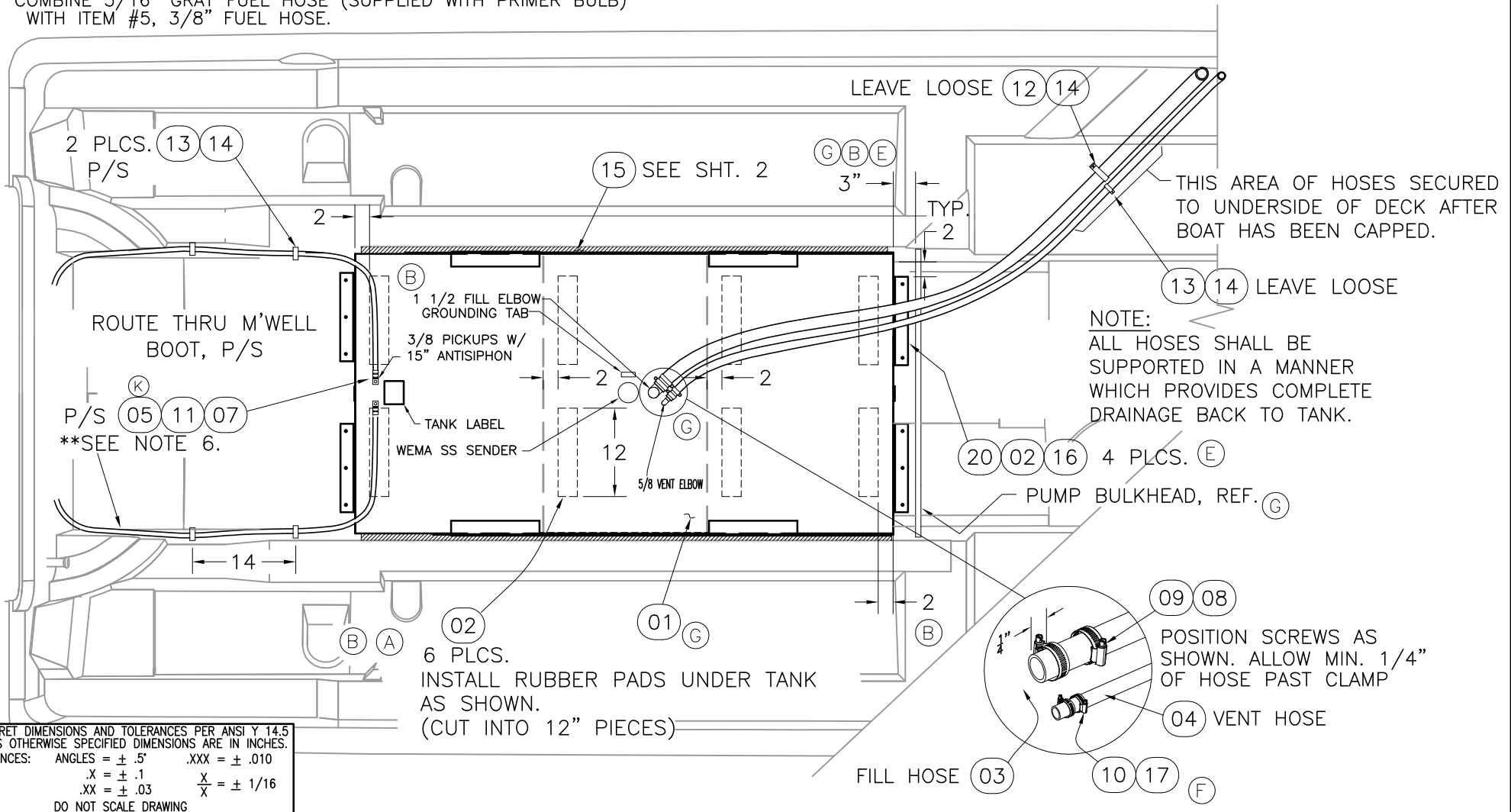
3 of 3

THIS DOCUMENT IS THE PROPERTY OF BOSTON WHALER, INC. MFG. DEPT., EDGEWATER, FLORIDA. ALL RIGHTS ARE RESERVED. THIS DOCUMENT AND INFORMATION CONTAINED MUST NOT BE COPIED OR DISCLOSED TO OTHERS WITHOUT WRITTEN PERMISSION OF BOSTON WHALER, INC.

DWG. NO: 10501  
 REV. L  
 CURRENT ECD 07054359

REVISIONS					
REV.	DESCR.	BY	DATE	APPVD.	ECN NO.
I	CHANGED PN# DESCRIPTION ITEMS 4 & 5, SHEET 3	SLJ	02/10/06	ME	051227
J	MYE 2007: CHANGED TO VENTED FUEL FILL, DELETE # 06, #13 WAS QNT 7, #14 WAS QNT 9	SWH	04/13/06	MG	060359
K	CHANGED PN# DESCRIPTION ITEM 5, SHEET 3. WAS 123760	SLJ	04/02/07	AVM	07034095
L	DELETED OPTION 020-70250, MADE 020-70272 STANDARD	RJW	06/01/07	RA	07054359

1. REFER TO DWG. #06-101 FOR ALL HOLE CUTOUTS.
2. REFER TO DWG. #01-251 FOR HOSE CUT LENGTHS.
3. FUEL SUPPLY & FILL LINES SHALL BE DOUBLED CLAMPED w/CLAMPS POSITIONED AT 180° TO EACH OTHER AS SHOWN, W/ 1/4" HOSE PAST CLAMPS.
4. HOSE & LINE ROUTINGS TO COMPLY w/NMMA, USCG, & ABYC STANDARDS.
5. PRESSURE TEST COMPLETED FUEL SYSTEM IN ACCORDANCE w/ABYC H-24-17, PSI TEST @ 3 PSI FOR A MINIMUM OF 20 MINUTES.
6. COMBINE 5/16" GRAY FUEL HOSE (SUPPLIED WITH PRIMER BULB) WITH ITEM #5, 3/8" FUEL HOSE.



INTERPRET DIMENSIONS AND TOLERANCES PER ANSI Y 14.5 UNLESS OTHERWISE SPECIFIED DIMENSIONS ARE IN INCHES.  
 TOLERANCES: ANGLES = ± .5° .XXX = ± .010  
 .X = ± .1 .XX = ± .03 X = ± 1/16  
 DO NOT SCALE DRAWING



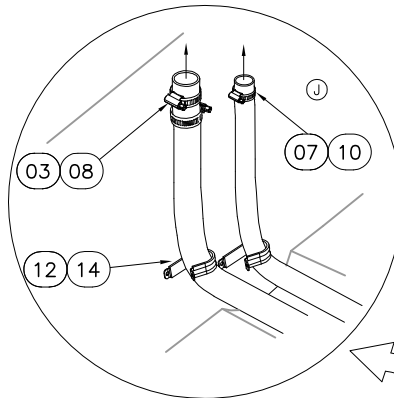
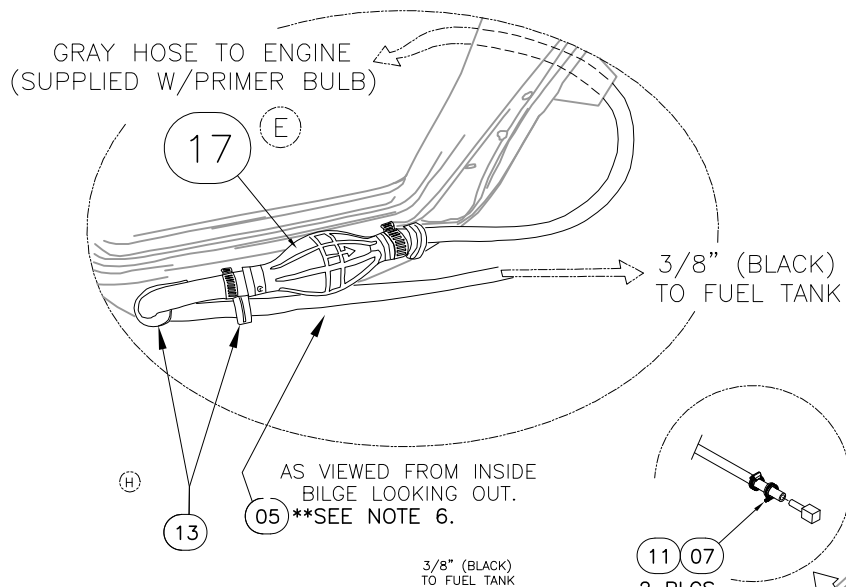
CHECKED: R. AVILA	DATE: 10/3/01	DRAWN: HAL READ	DATE: 08/30/01	SCALE: NONE	BOAT MODEL 2700R	MOLD NO.
APPD: K. RANIERI	DATE: 10/3/01	DWG. TITLE: FUEL SYSTEM INSTALLATION			INIT. REL. ECN NO: 01624	DWG. NO: 10501
DESIGN: L. SCHOLZ	DATE: 10/5/01					SHT. NO. 1 of 3
INT. ENG: M. GATICA	DATE: 1/17/01					

NOTE: DO NOT SECURE ANY OTHER ITEMS TO THE FUEL FEED HOSES.

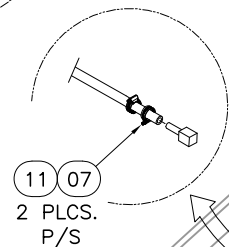
REFER TO DWGS. 06-201 & 06-202 FOR FUEL FILL, MTG. LOCATION & FASTENERS.

Ⓒ INSTALL ITEM #17  
W/OPT: 100-70017

GRAY HOSE TO ENGINE  
(SUPPLIED W/PRIMER BULB)



TWIST AS SHOWN, (15)  
PRIOR TO INSTALLATION.  
PRESS BETWEEN STRINGER  
AND TANK SIDE, FLUSH  
W/ TANK TOP, P/S.



3/8" (BLACK)  
TO FUEL TANK

4 PLCS. (02)

12 PLCS. (18, 19)

SECURE GREEN BONDING  
WIRE TO TANK TAB & SENDER USING  
MACHINE SCREW & LOCKNUT.

# PARTS LIST

ITEM	QTY.	U/M	DESCRIPTION	B.W.I. NO.
Ⓒ 01	1	EA.	TANK, FUEL - BW 200GAL 2700R-05	1777730
Ⓔ Ⓐ Ⓑ 02	16	FT.	TAPE, FOAM NEOPRENE W/3M 9828 3/8"TH X 2"W	1497452
03	0	FT.	HOSE, FUEL 1.5" TYPE A CLASS 2	0123745
Ⓘ 04	0	FT.	HOSE, FUEL 5/8" TYPE A CLASS 1 ISO/CE	123778
** Ⓚ Ⓛ 05	0	FT.	HOSE, FUEL 3/8" TYPE A CLASS 1-15 ISO/CE/CARB	1884011
Ⓜ 06	1	EA.	SPRING, VENT 1.05" x 12" SS	1041367
07	4	EA.	COVER, CLAMP END PROT 1/2"L x .020" x .592 RED	1116870
Ⓕ 08	4	EA.	COVER, CLAMP END PROT 1/2"L x .035" x .30" RED	0830976
09	4	EA.	CLAMP, HOSE #24 1"-2" SS .505	0256693
Ⓗ 10	3	EA.	CLAMP, HOSE #12 1/2"-1.25" SS .505	0256677
11	4	EA.	CLAMP, HOSE #06M 5/16"-7/8" SS MINI	0123398
12	2	EA.	CLIP, SUPPORT 2.25"DIA	1040344
Ⓜ 13	6	EA.	CLIP, SUPPORT 1"DIA	1216720
Ⓜ 14	8	EA.	SCREW, TAPPING #8A X 5/8" PTH SC	1010925
15	12	FT.	FOAM, BACKER ROD 7/8"DIA	1041698
Ⓔ 16	12	EA.	SCREW, TAPPING #14A X 1.5" PTH SC	1010909
Ⓔ 17	2	EA.	PRIMER BULB, W/FUEL LINE	1477900
Ⓔ 18	16	EA.	BOLT, LAG 3/8" X 1.5" SS HEX HD	1009703
Ⓔ 19	12	EA.	WASHER, LOCK/SPLIT 3/8" SC	1260603
Ⓔ 20	4	EA.	BRACKET, BW-97 ALUM 1/4" X 2" X 2" X 12"	1030428
Ⓕ 21	3	EA.	COVER, CLAMP END PRT 1/2" X .045 RED	0830968

\*\* SEE NOTE 6.

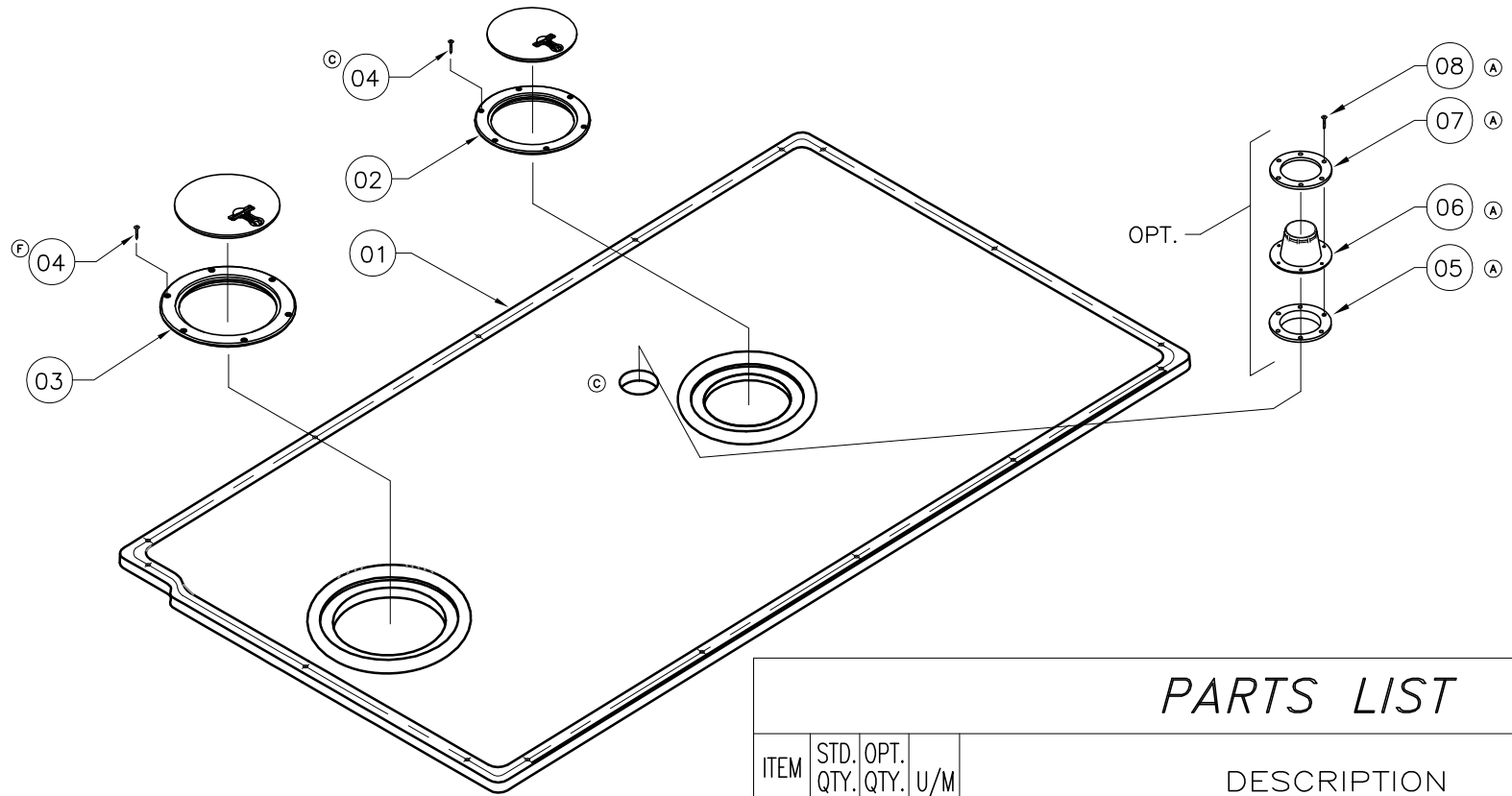
THIS DOCUMENT IS THE PROPERTY OF BOSTON WHALER, INC. MFG. DEPT., EDGEWATER, FLORIDA. ALL RIGHTS ARE RESERVED. THIS DOCUMENT AND INFORMATION CONTAINED MUST NOT BE COPIED OR DISCLOSED TO OTHERS WITHOUT WRITTEN PERMISSION OF BOSTON WHALER, INC.

DWG. NO: 09301  
 REV. F  
 CURRENT ECD 0604106

NOTES:

1. REFER TO DWG. 22-K063-00 FOR TRIM & GRIND INFORMATION.
2. ALL DRILLED HOLES IN FIBERGLASS (FOR RIVETS) SHALL BE SEALED USING WHITE SILICONE SEALANT WHEN INSTALLED.

REVISIONS					
REV.	DESCR.	BY	DATE	APPVD.	ECN NO.
C	MOVED HOLE LOCATION TO OPPOSITE SIDE	SLJ	10/23/02	ZAC	020905
D	Changed Numbering System/Apply Att.Border.	AVM	04/14/03	-	030318
E	MODIFY DRAWING BORDER TO AN ATTRIBUTED BORDER	TS	02/27/06	AVM	060228
F	CHANGED PN# & DESCRIPTION ITEM 04 SHEET 1	SLJ	10/12/06	AVM	0604106



PARTS LIST

ITEM	STD. QTY.	OPT. QTY.	U/M	DESCRIPTION	MRP NUMBER
01	1	0	EA.	FIBERGLASS PART, FUEL TANK COVER	22-K063-00
02	1	0	EA.	ACCESS PLATE, POLYPROP TWIST-OUT 6" WHT	1068642
03	1	0	EA.	ACCESS PLATE, POLYPROP TWIST-OUT 8" WHT	1068659
(F) 04	12	0	EA.	SCREW, MACHINE #10-24 X 3/4" PPH SC SELF-TAP	1781122
(A) 05	0	1	EA.	BOOT, CABLE RING 3" BLK	1043330
(A) 06	0	1	EA.	BOOT, CABLE 3" BLK	1043223
(A) 07	0	1	EA.	GROMMET, CABLE BOOT 3" BLK	1574839
(A) 08	0	6	EA.	SCREW, TAPPING #10A x 1" PTH SC	1008739

INTERPRET DIMENSIONS AND TOLERANCES PER ANSI Y 14.5 UNLESS OTHERWISE SPECIFIED DIMENSIONS ARE IN INCHES.  
 TOLERANCES: ANGLES = ± .5° .XXX = ± .010  
 .X = ± .1 .XX = ± .03 X = ± 1/16  
 DO NOT SCALE DRAWING



CHECKED: R. AVILA	DATE: 11/06/01	DRAWN: R DURHAM	DATE: 11/05/01	SCALE: NONE	BOAT MODEL 2700R	MOLD NO.
APPD: K. RANIERI	DATE: 11/06/01	DWG. TITLE: FUEL TANK COVER SUB ASSY			INIT. REL. ECN NO: 010624	DWG. NO: 09301
DESIGN: L. SCHOLZ	DATE: 11/06/01					SHT. NO. 1 of 2
INT. ENG: M. GATICA	DATE: 01/17/02					



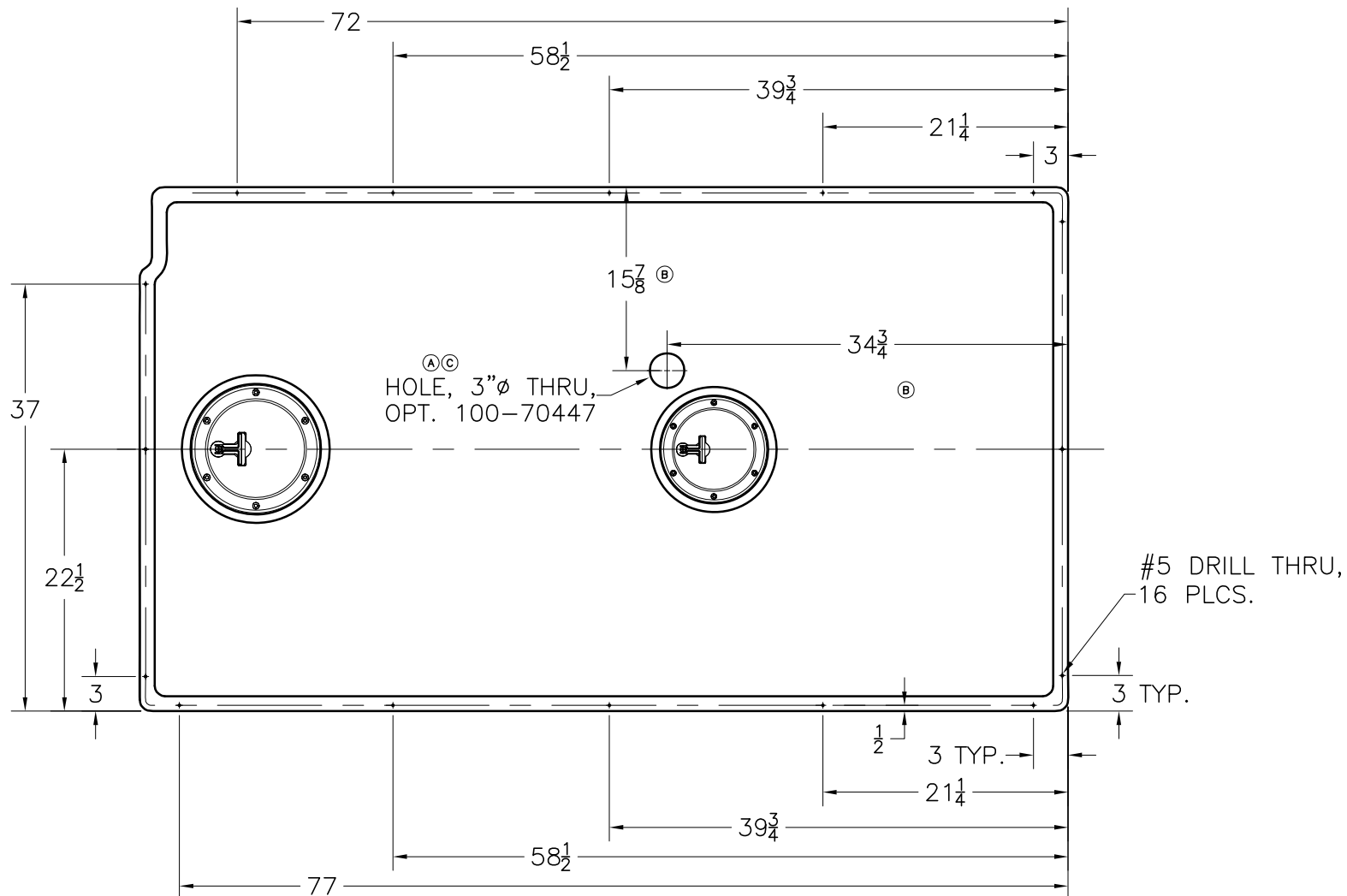
THIS DOCUMENT IS THE PROPERTY OF BOSTON WHALER, INC. MFG. DEPT., EDGEWATER, FLORIDA. ALL RIGHTS ARE RESERVED. THIS DOCUMENT AND INFORMATION CONTAINED MUST NOT BE COPIED OR DISCLOSED TO OTHERS WITHOUT WRITTEN PERMISSION OF BOSTON WHALER, INC.

DWG. NO:  
09301

REV.  
F

CURRENT ECD  
0604106

NOTES:



PLAN-VIEW,  
MTG. FASTENER HOLE PATTERN



INTERPRET DIMENSIONS AND TOLERANCES PER ANSI Y 14.5 UNLESS OTHERWISE SPECIFIED DIMENSIONS ARE IN INCHES.  
TOLERANCES: ANGLES = ± .5° .XXX = ± .010  
.X = ± .1 .X = ± 1/16  
.XX = ± .03  
DO NOT SCALE DRAWING

DRAWN: R DURHAM

DATE: 11/05/01

SCALE: NONE

BOAT MODEL

MOLD NO.

2700R

DWG. TITLE:

FUEL TANK COVER SUB ASSY

INIT. REL. ECN NO:

DWG. NO:

SHT. NO.

010624

09301

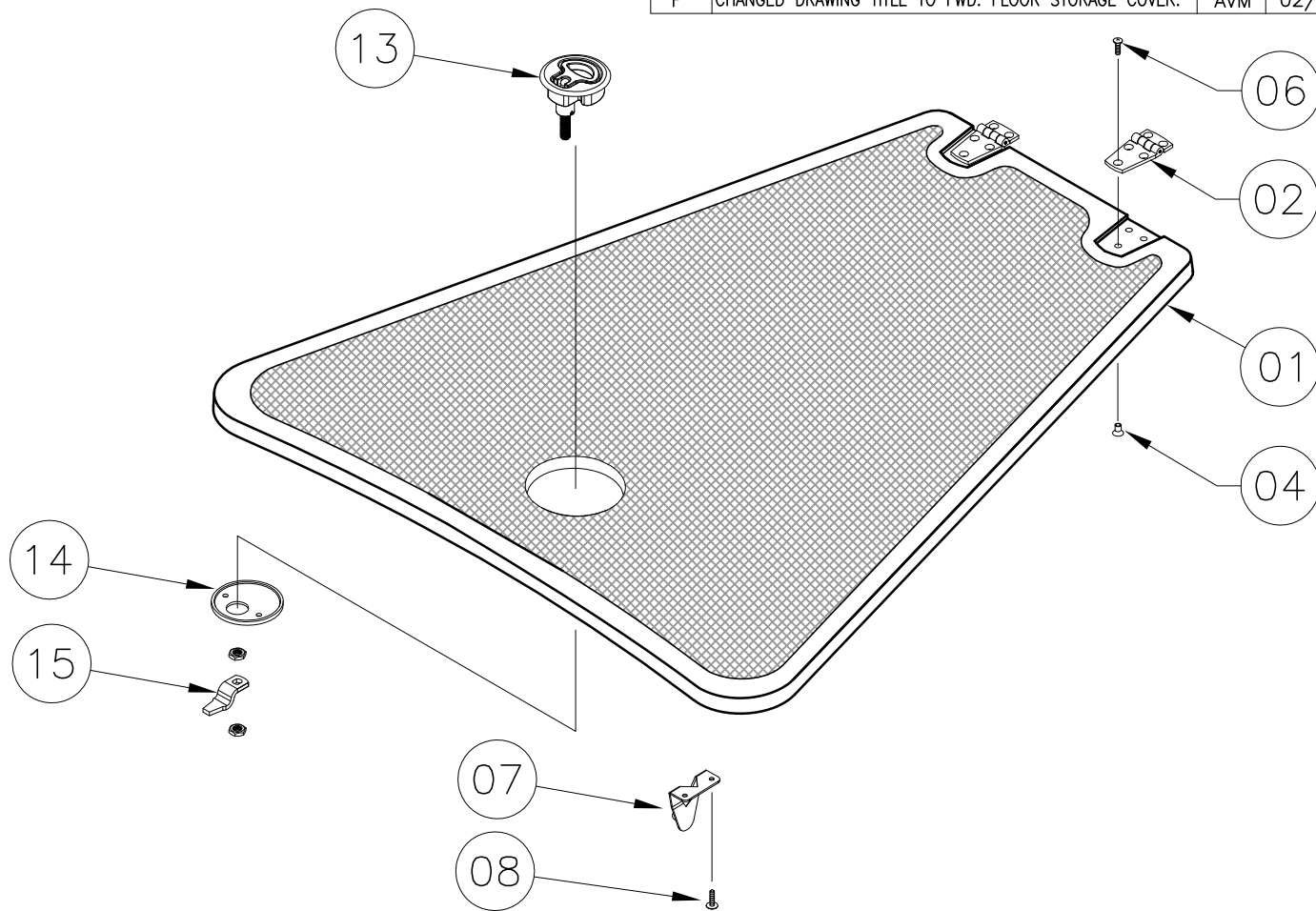
2 OF 2

THIS DOCUMENT IS THE PROPERTY OF BOSTON WHALER, INC. MFG. DEPT., EDGEWATER, FLORIDA. ALL RIGHTS ARE RESERVED. THIS DOCUMENT AND INFORMATION CONTAINED MUST NOT BE COPIED OR DISCLOSED TO OTHERS WITHOUT WRITTEN PERMISSION OF BOSTON WHALER, INC.

DWG. NO: 09410 REV. F CURRENT ECD 060249

- NOTES:
1. REF. DWG. 05147 FOR LAMINATION DETAILS.  
REF. DWG. 16147 FOR TRIM & GRIND DETAILS.
  2. ALL FASTENERS SHALL BE SEALED USING WHITE SILICONE SEALANT DURING INSTALL'N. SEALANT SHALL BE SMOOTHED OVER ON BARREL NUTS.
  3. CLEAN ALL FG SURFACES W/ALCOHOL PRIOR TO PLACING GASKET ©

REVISIONS					
REV.	DESCR.	BY	DATE	APPVD.	ECN NO.
A	2004 MODEL YEAR ENHANCEMENTS	RD	05/12/03	-	030346
B	Changed Numbering System/Apply Att.Border.	AVM	06/09/03	ZAC	030318
C	MYE 2005: ADDED #3 NOTES TO SHEET #1 & #12 TO SHEET #2	JED	04/19/04	SH	040146
D	CHANGED PN# & DESCRIPTION ITEM 08, SHEET 2	SLJ	02/08/05	ME	050210
E	MYE'06: DEL. #3,5,9-11; ADD #13-15; #4 QTY WAS 8; #1 WAS K070	MRZ	06/07/05	HW	050542
F	CHANGED DRAWING TITLE TO FWD. FLOOR STORAGE COVER.	AVM	02/28/06	ME	060249



SEE SH. 2  
FOR MTG. LOCATION

INTERPRET DIMENSIONS AND TOLERANCES PER ANSI Y 14.5 UNLESS OTHERWISE SPECIFIED DIMENSIONS ARE IN INCHES.  
TOLERANCES: ANGLES = ± .5° .XXX = ± .010  
.X = ± .1 .XX = ± .03 X = ± 1/16  
DO NOT SCALE DRAWING

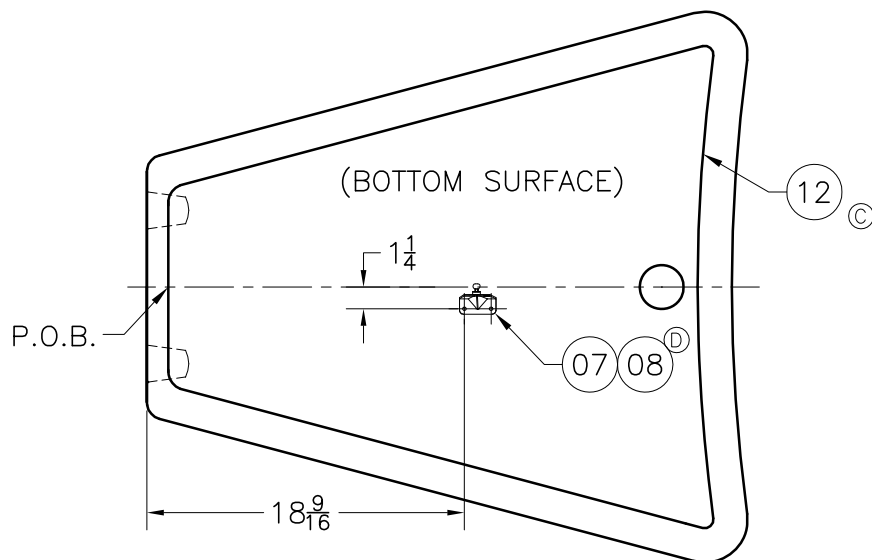


CHECKED: R. AVILA	DATE: 10/10/01	DRAWN: R. DURHAM	DATE: 10/09/01	SCALE: NONE	BOAT MODEL	MOLD NO.
APPD: K. RANIERI	DATE: 10/10/01	DWG. TITLE:			2700R	
DESIGN: L. SCHOLZ	DATE: 10/10/01	FWD. FLOOR STORAGE COVER SUB-ASSEMBLY			INIT. REL. ECN NO:	DWG. NO:
INT. ENG: M. GATICA	DATE: 1/17/02				010624	09410
					SHT. NO.	1 of 2

NOTES:

## PARTS LIST

ITEM	STD. QTY.	U/M	DESCRIPTION	MRP NUMBER
Ⓔ 01	1	EA.	FIBERGLASS PART, STORAGE LOCKER COVER	22-K224-00
02	2	EA.	HINGE, DOOR SS 1.5"X 3" THINLINE	1617323
03	2	EA.	SCREW, MACHINE #10-24 X 3/4" POH SC	1008440
Ⓔ 04	6	EA.	NUT, BBL #10-24 X 3/8" FH	1040187
Ⓔ 05	1	EA.	HANDLE, SS BW280CQ/OR-00 HATCH	1369677
06	6	EA.	SCREW, MACHINE #10-24 X 5/8" POH SC	1010545
07	1	EA.	BRACKET, SS GAS CYL 90DEG 2.062" W/STUD	0732792
Ⓓ 08	2	EA.	SCREW, TAPPING #8A X 5/8" PTH SC	1010925
Ⓔ 09	1	EA.	STOP, DOOR HOLDER RBR BLUE	1142348
Ⓔ 10	3	EA.	WASHER, FLAT #10 SC	1260751
Ⓔ 11	1	EA.	NUT, BBL #10-24 x 3/8" TH CHR/BR	1040211
Ⓒ 12	9.5	FT.	TRIM-SEAL, #X1568HT 3/4"X 1/16" SELF-ADH BLK	1769583
Ⓔ 13	1	EA.	LATCH, COMPRESSION 2.5"N/LOCKING SS	1781446
Ⓔ 14	1	EA.	PLATE, SHALLOW 2.5"W/1/16" LIP HDWR PKG SS	1793455
Ⓔ 15	1	EA.	CATCH, PAWL 2.5"OFFSET MEDIUM SS	1781463



LOCATION DETAIL FOR ITEM 07.

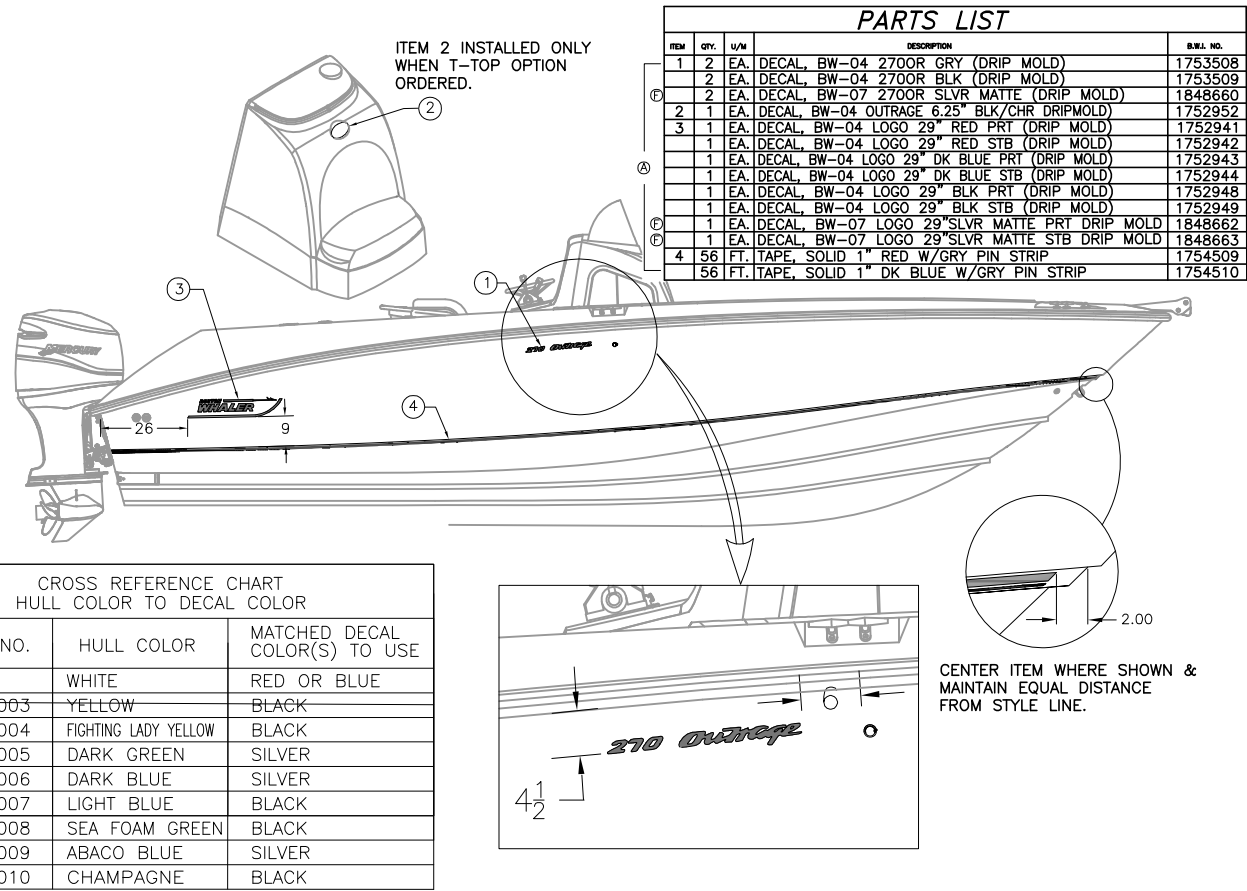
THIS DOCUMENT IS THE PROPERTY OF BOSTON WHALER, INC. MFG. DEPT., EDGEWATER, FLORIDA. ALL RIGHTS ARE RESERVED. THIS DOCUMENT AND INFORMATION CONTAINED MUST NOT BE COPIED OR DISCLOSED TO OTHERS WITHOUT WRITTEN PERMISSION OF BOSTON WHALER, INC.

DWG. NO: 12401 REV. F CURRENT ECD 0603123

NOTES:

- CLEAN ALL SURFACES W/ DENATURED ALCOHOL PRIOR TO DECAL APPLICATION.

REVISIONS					
REV.	DESCR.	BY	DATE	APPVD.	ECN NO.
D	MYE 2005: ADDED WASABI TO SEA FOAM GREEN IN COLOR CHART	JED	04/22/04	SH	040146
E	MODIFY DRAWING BORDER TO AN ATTRIBUTED BORDER	TS	02/27/06	AVM	060228
F	MYE'07: DELETE OPT 010-70003, ADD OPT 010-70009 & 010-70010 ITEM 1 SILVER WAS 1753510, ITEM 3 SILVER PRT WAS 1752950 ITEM 3 SILVER STBD WAS 1752951	AT	05/17/06	MG	0603123



PARTS LIST					
ITEM	QTY.	U/M	DESCRIPTION	B/W.L. NO.	
1	2	EA.	DECAL, BW-04 2700R GRY (DRIP MOLD)	1753508	
2	2	EA.	DECAL, BW-04 2700R BLK (DRIP MOLD)	1753509	
2	2	EA.	DECAL, BW-07 2700R SLVR MATTE (DRIP MOLD)	1848660	
2	1	EA.	DECAL, BW-04 OUTRAGE 6.25" BLK/CHR DRIPMOLD	1752952	
3	1	EA.	DECAL, BW-04 LOGO 29" RED PRT (DRIP MOLD)	1752941	
1	1	EA.	DECAL, BW-04 LOGO 29" RED STB (DRIP MOLD)	1752942	
1	1	EA.	DECAL, BW-04 LOGO 29" DK BLUE PRT (DRIP MOLD)	1752943	
1	1	EA.	DECAL, BW-04 LOGO 29" DK BLUE STB (DRIP MOLD)	1752944	
1	1	EA.	DECAL, BW-04 LOGO 29" BLK PRT (DRIP MOLD)	1752948	
1	1	EA.	DECAL, BW-04 LOGO 29" BLK STB (DRIP MOLD)	1752949	
1	1	EA.	DECAL, BW-07 LOGO 29" SLVR MATTE PRT DRIP MOLD	1848662	
1	1	EA.	DECAL, BW-07 LOGO 29" SLVR MATTE STB DRIP MOLD	1848663	
4	56	FT.	TAPE, SOLID 1" RED W/GRY PIN STRIP	1754509	
56	FT.	TAPE,	SOLID 1" DK BLUE W/GRY PIN STRIP	1754510	

CROSS REFERENCE CHART HULL COLOR TO DECAL COLOR		
OPTION NO.	HULL COLOR	MATCHED DECAL COLOR(S) TO USE
NONE	WHITE	RED OR BLUE
(F) 010-70003	YELLOW	BLACK
010-70004	FIGHTING LADY YELLOW	BLACK
010-70005	DARK GREEN	SILVER
010-70006	DARK BLUE	SILVER
010-70007	LIGHT BLUE	BLACK
(D)(C) 010-70008	SEA FOAM GREEN	BLACK
(F) 010-70009	ABACO BLUE	SILVER
(F) 010-70010	CHAMPAGNE	BLACK

INTERPRET DIMENSIONS AND TOLERANCES PER ANSI Y 14.5 UNLESS OTHERWISE SPECIFIED DIMENSIONS ARE IN INCHES.  
 TOLERANCES: ANGLES = ± .5° .XXX = ± .010  
 .X = ± .1 .XX = ± .03 X = ± 1/16  
 DO NOT SCALE DRAWING

<p>PRODUCT DEV. &amp; MFG. ENGINEERING GROUP</p>	CHECKED: R. DURHAM	DATE: 11/28/01	DRAWN: H READ	DATE: 11/27/01	SCALE: NONE	BOAT MODEL	MOLD NO.
	APPD: T. SCHULTE	DATE: 11/28/01	DWG. TITLE:			2700R	
	DESIGN: L. SCHOLZ	DATE: 11/29/01	GRAPHICS LOCATIONS			INIT. REL. ECN NO:	DWG. NO:
	INT. ENG: M. GATICA	DATE: 1/17/02				010624	12401

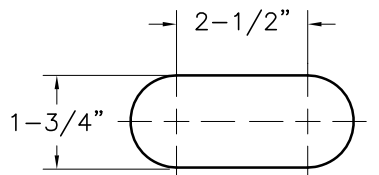
THIS DOCUMENT IS THE PROPERTY OF BOSTON WHALER, INC. MFG. DEPT., EDGEWATER, FLORIDA. ALL RIGHTS ARE RESERVED. THIS DOCUMENT AND INFORMATION CONTAINED MUST NOT BE COPIED OR DISCLOSED TO OTHERS WITHOUT WRITTEN PERMISSION OF BOSTON WHALER, INC.

DWG. NO: 09226  
 REV. F  
 CURRENT ECD 0604144

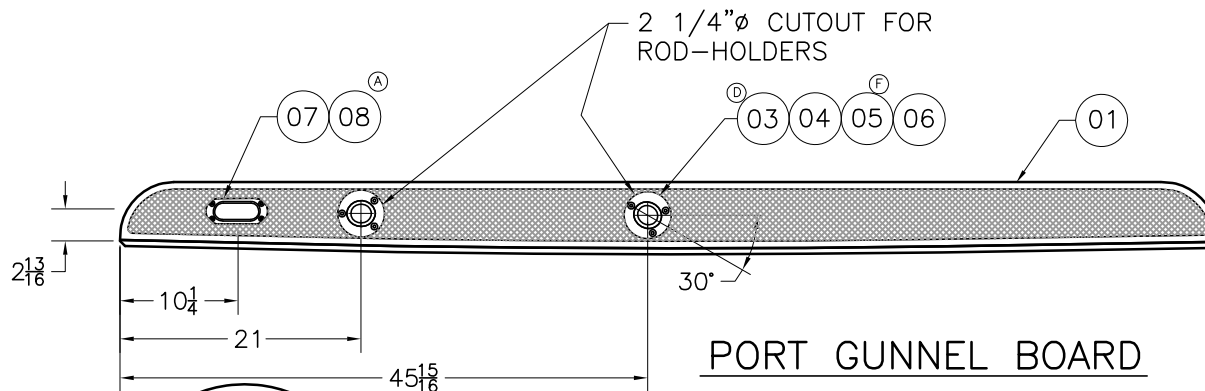
NOTES:

- REFER TO DWG. 22-K067-00 FOR TRIM & GRIND INFORMATION.
- ALL HOLES THRU FIBERGLASS FOR ROD-HOLDERS & FASTENERS SHALL BE SEALED USING WHITE SILICONE SEALANT WHEN INSTALLED.

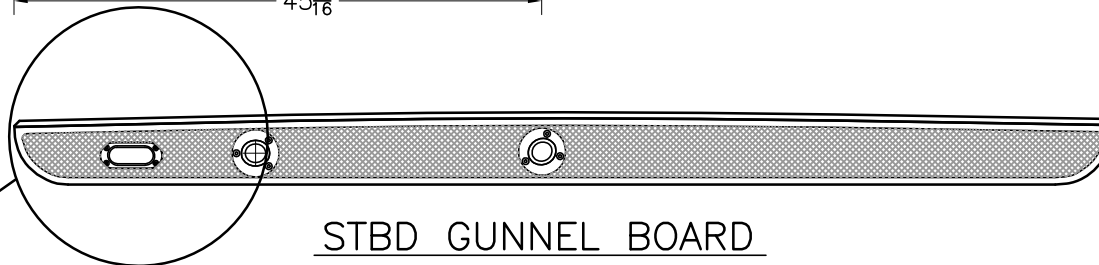
REVISIONS		BY	DATE	APPVD.	ECN NO.
REV.	DESCR.				
F	#05 1007764	SWH	06/08/06	AVM	0604144



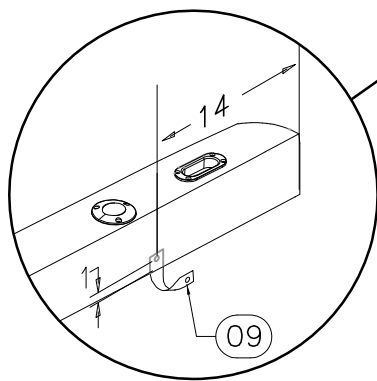
HAWSE PIPE CUTOUT  
SCALE 4X



PORT GUNNEL BOARD



STBD GUNNEL BOARD  
LAYOUT MIRROR IMAGE OF PORT GUNWALE BOARD



DETAIL "A"

PARTS LIST				
ITEM	STD. QTY.	U/M	DESCRIPTION	MRP NUMBER
01	1	EA.	FIBERGLASS PART, GUNNEL BOARD, PORT	22-K067-00
02	1	EA.	FIBERGLASS PART, GUNNEL BOARD, STBD	22-K067-01
03	4	EA.	ROD HOLDER, FLUSH MNT SS W/BW-05 LOGO	1799571
04	12	EA.	SCREW, MACHINE #1/4-20 X 1.5" POH SC	1010438
05	12	EA.	NUT, LOCK #1/4-20 SC STD PATT	1009786
06	12	EA.	WASHER, FLAT #1/4" SC	1260769
07	2	EA.	HAWSE PIPE, SS 5.5" x 2.5"OD x 4" x 1.75"ID	0859066
08	8	EA.	SCREW, TAPPING #10A X 1" POH SC	1008507
09	1	EA.	STRAP, NYLON 1" X 6.5" DOOR RESTRAINT BLK	1688675

INTERPRET DIMENSIONS AND TOLERANCES PER ANSI Y 14.5 UNLESS OTHERWISE SPECIFIED DIMENSIONS ARE IN INCHES.  
 TOLERANCES: ANGLES = ± .5° .XXX = ± .010  
 .X = ± .1 .XX = ± .03 X = ± 1/16  
 DO NOT SCALE DRAWING



CHECKED: R. AVILA	DATE: 10/11/01	DRAWN: R DURHAM	DATE: 10/10/01	SCALE: NONE	BOAT MODEL 2700R	MOLD NO.
APPD: K. RANIERI	DATE: 10/11/01	DWG. TITLE: GUNNEL BOARD SUB ASSY			INIT. REL. ECN NO: 010624	DWG. NO: 09226
DESIGN: L. SCHOLZ	DATE: 10/11/01					SHT. NO. 1 of 1
INT. ENG: M. GATICA	DATE: 1/17/02					

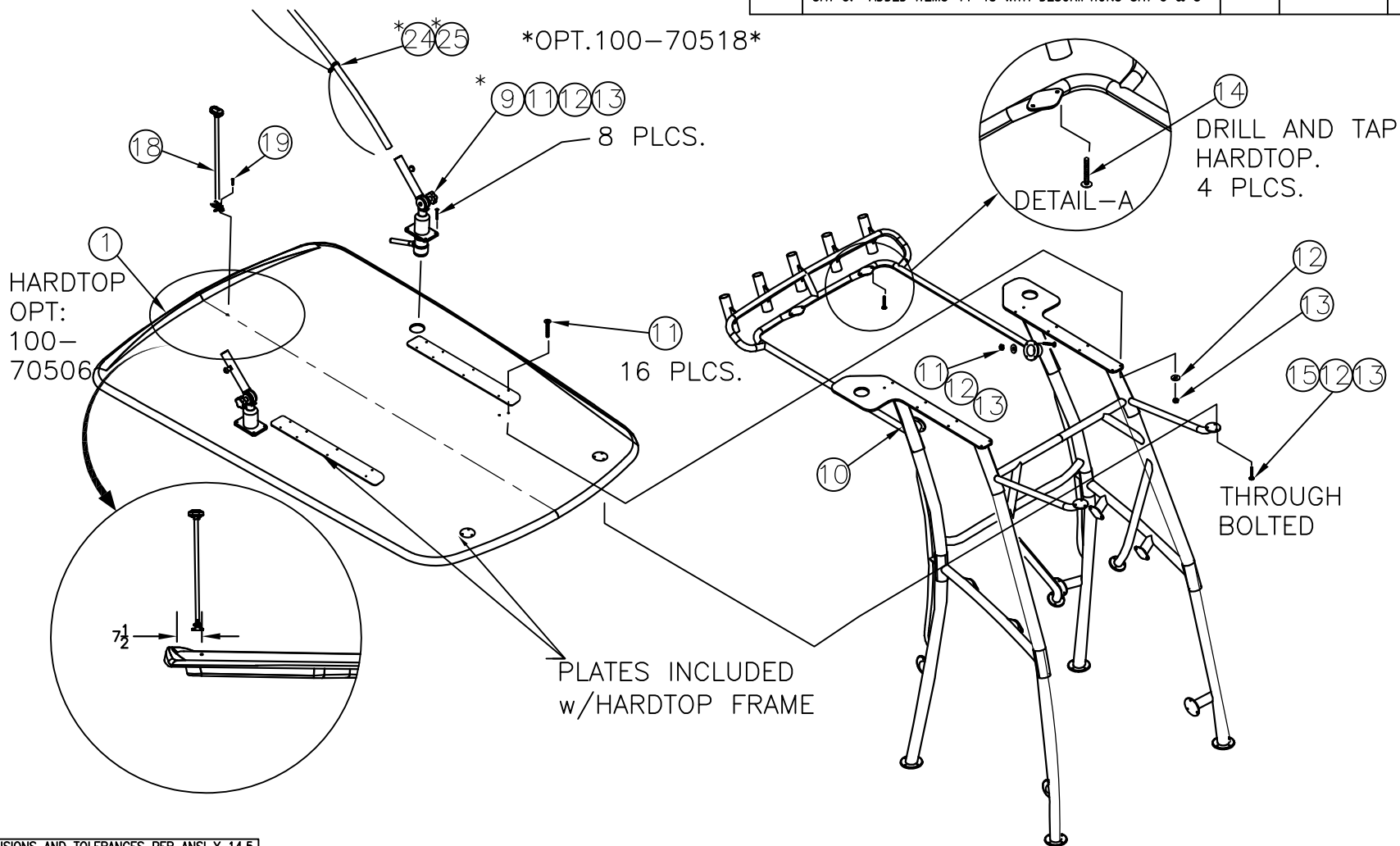
THIS DOCUMENT IS THE PROPERTY OF BOSTON WHALER, INC. MFG. DEPT., EDGEWATER, FLORIDA. ALL RIGHTS ARE RESERVED. THIS DOCUMENT AND INFORMATION CONTAINED MUST NOT BE COPIED OR DISCLOSED TO OTHERS WITHOUT WRITTEN PERMISSION OF BOSTON WHALER, INC.

DWG. NO: 08402  
 REV. J  
 CURRENT ECD 07044270

NOTES:

1. USE FIXTURES TO LOCATE ALL CUTOUTS - SEE DWG. # 01-201 FOR LIST.
2. REFERENCE DWG. 16121 FOR CUTOUTS.

REVISIONS					
REV.	DESCR.	BY	DATE	APPVD.	ECN NO.
G	CHANGED PN# & DESCRIPTION ITEM 20, SHEET 8	SLJ	01/05/07	DJW	07013853
H	CHANGED PN# & DESCRIPTION ITEM 32, DELETED 33 THRU 35, ADDED #42, SHEETS 5 & 8, SHEET 8	SLJ	03/14/07	AVM	07024001
I	ADDED ITEM 43, SHEET 4, SHEET 8	SDT	04/12/07	RA	07044161
J	MYE'08: ADDED OPT 100 70683 AND REPLACEMENT OPT 700 00040 SHT 5. ADDED ITEMS 44-48 WITH DESCRIPTIONS SHT 5 & 8	SDT	05/11/07	RA	07044270



INTERPRET DIMENSIONS AND TOLERANCES PER ANSI Y 14.5 UNLESS OTHERWISE SPECIFIED DIMENSIONS ARE IN INCHES.  
 TOLERANCES: ANGLES = ± .5° .XXX = ± .010  
 .X = ± .1 .XX = ± .03 X = ± 1/16  
 DO NOT SCALE DRAWING



CHECKED: H. WOOD	DATE: 7-16-05	DRAWN: J HALPIN	DATE: 06/04/05	SCALE: NONE	BOAT MODEL	MOLD NO.
APPD: KR	DATE: 7-18-05	DWG. TITLE: HARDTOP ASSEMBLY			2700R	
DESIGN: VPK	DATE: 7-19-05				INIT. REL. ECN NO:	DWG. NO:
INT. ENG: MG	DATE: 7-20-05				050678	08402
					SHT. NO.	1 OF 8

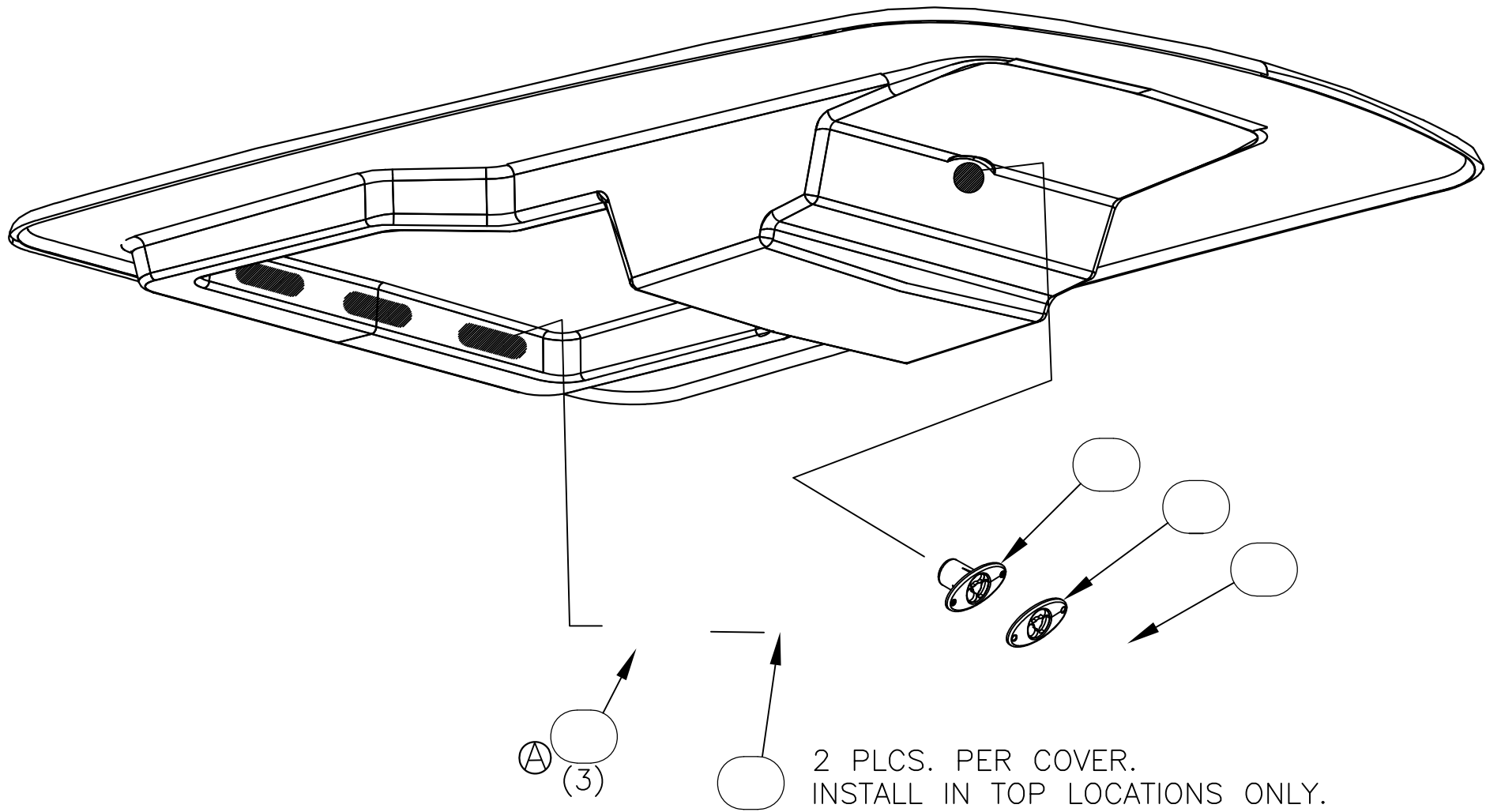
THIS DOCUMENT IS THE PROPERTY OF BOSTON WHALER, INC. MFG. DEPT., EDGEWATER, FLORIDA. ALL RIGHTS ARE RESERVED. THIS DOCUMENT AND INFORMATION CONTAINED MUST NOT BE COPIED OR DISCLOSED TO OTHERS WITHOUT WRITTEN PERMISSION OF BOSTON WHALER, INC.

DWG. NO:  
08402

REV.  
J

CURRENT ECD  
07044270

NOTES:



Ⓐ (3)

2 PLCS. PER COVER.  
INSTALL IN TOP LOCATIONS ONLY.  
BOTTOM HOLES WILL BE USED TO  
FASTEN CANVAS TRACK.



INTERPRET DIMENSIONS AND TOLERANCES PER ANSI Y 14.5 UNLESS OTHERWISE SPECIFIED DIMENSIONS ARE IN INCHES.  
TOLERANCES: ANGLES = ± .5° .XXX = ± .010  
.X = ± .1 X = ± 1/16  
.XX = ± .03  
DO NOT SCALE DRAWING

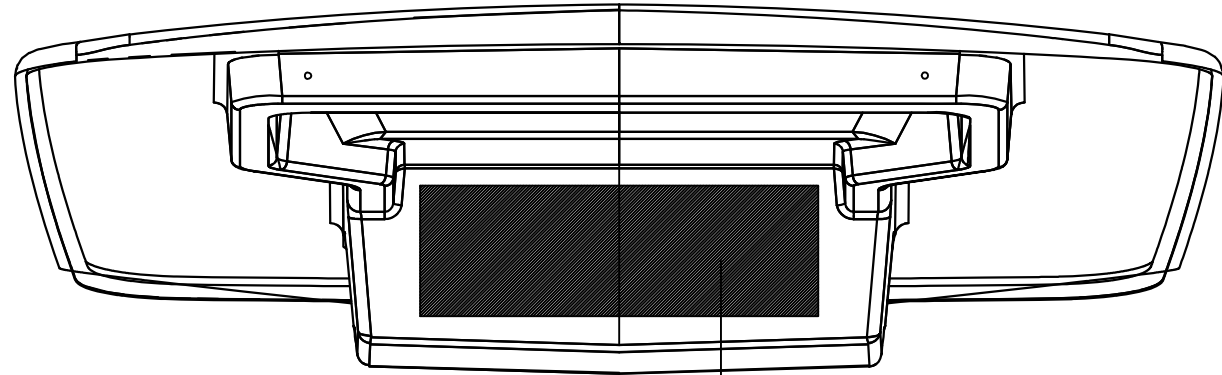
DRAWN: J HALPIN DATE: 06/14/05 SCALE: NONE  
DWG. TITLE: HARDTOP ASSEMBLY

BOAT MODEL  
2700R  
INIT. REL. ECN NO:  
050678

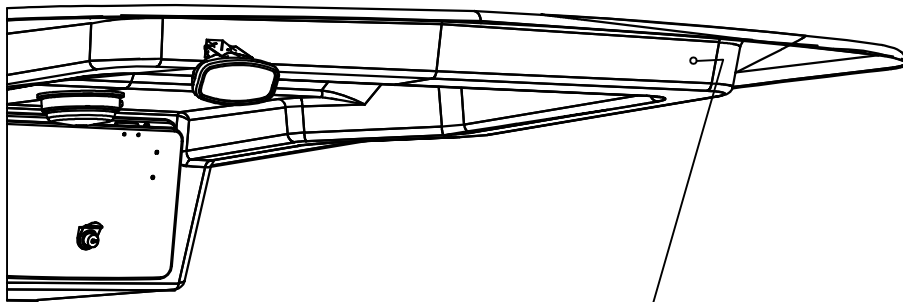
MOLD NO.  
DWG. NO:  
08402

SHT. NO.  
2 OF 8

NOTES:



(22)  
 (23) 12 PLCS.



(20) USE HARDWARE PROVIDED P/S



INTERPRET DIMENSIONS AND TOLERANCES PER ANSI Y 14.5

J HALPIN

06/14/05

NONE

ANGLES = ± .5° .XXX = ± .010

.X = ± .1 X = ± 1/16

.XX = ± .03

DO NOT SCALE DRAWING

HARDTOP ASSEMBLY

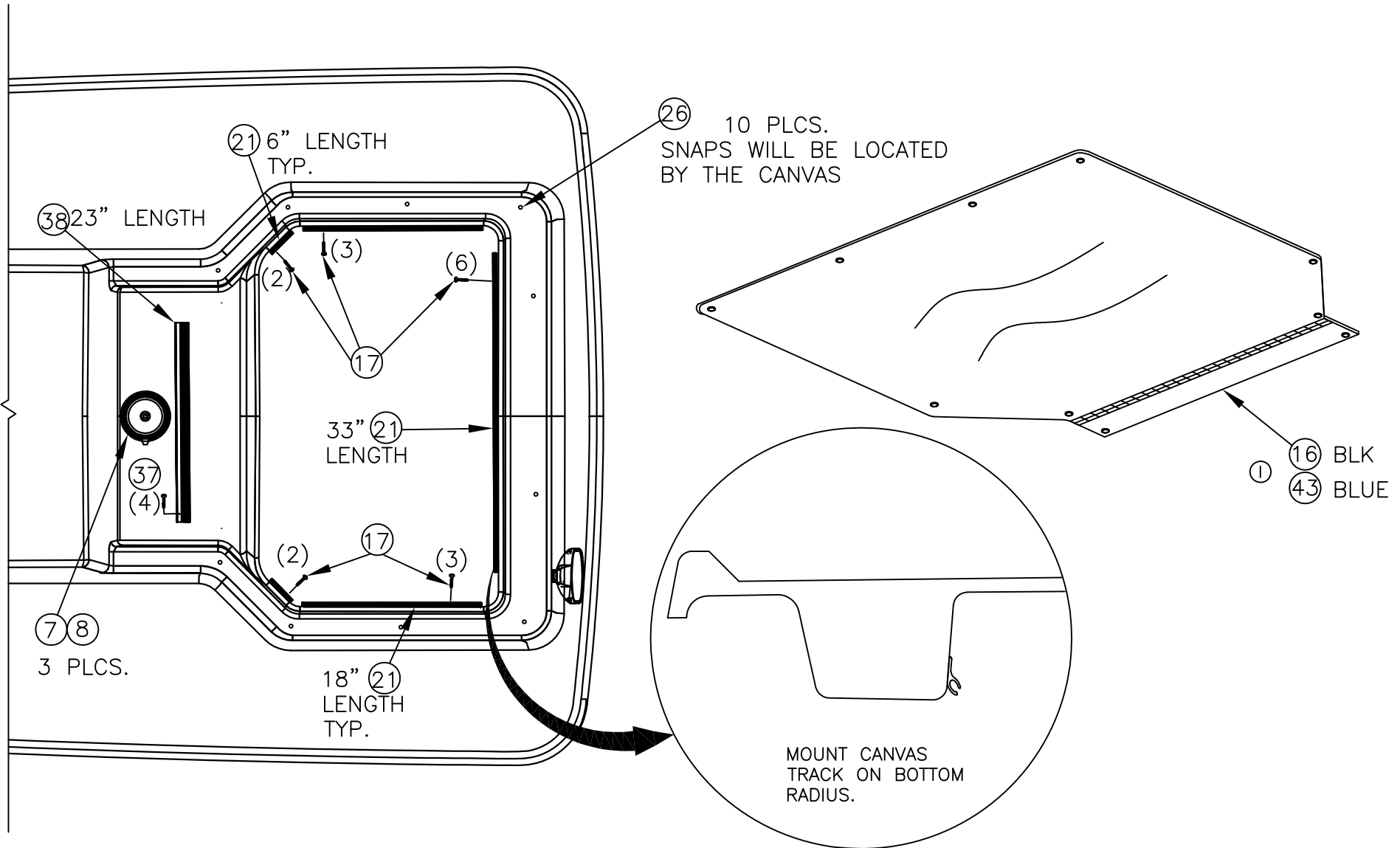
2700R

050678

08402



NOTES:



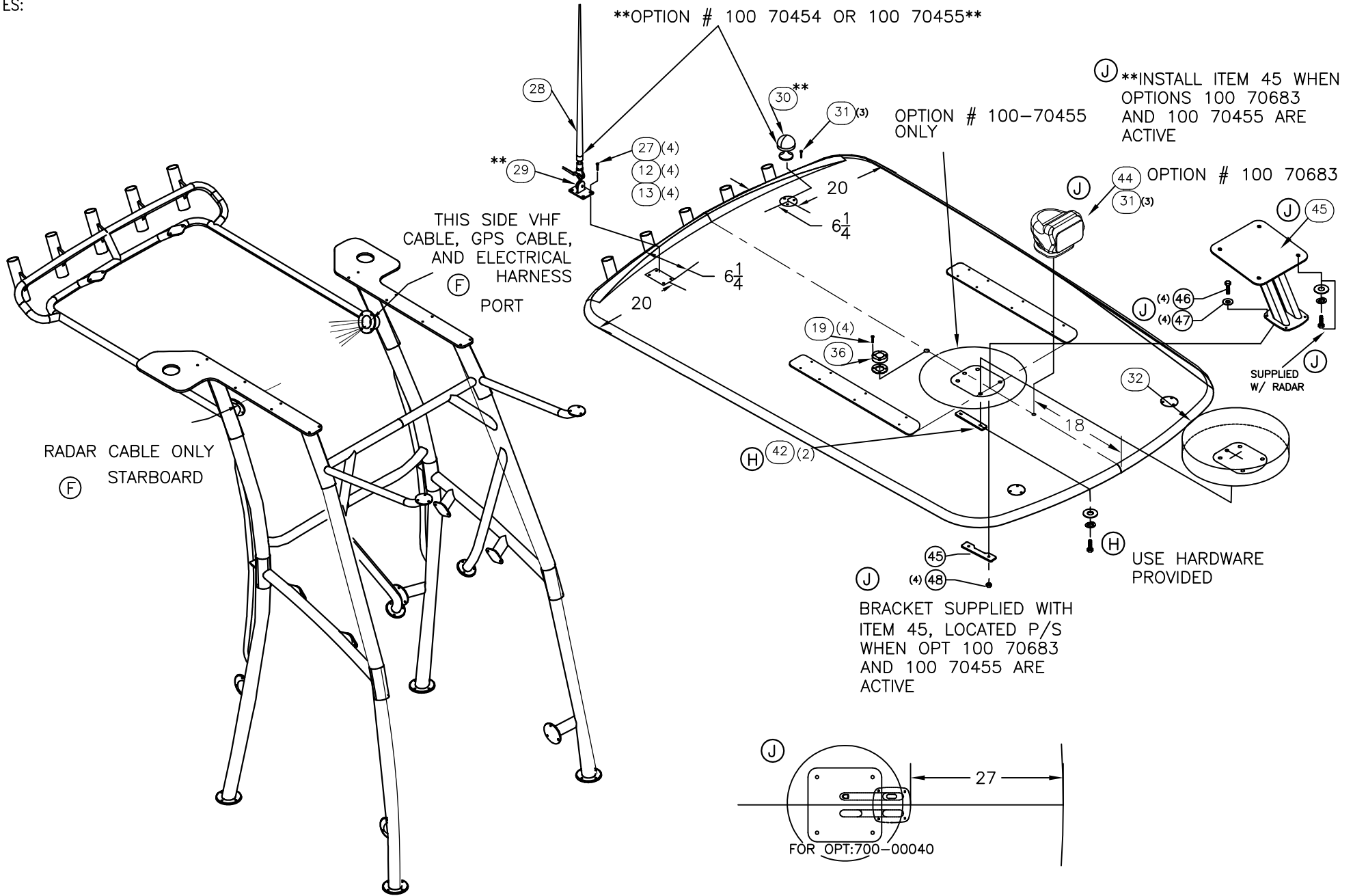
THIS DOCUMENT IS THE PROPERTY OF BOSTON WHALER, INC. MFG. DEPT., EDGEWATER, FLORIDA. ALL RIGHTS ARE RESERVED. THIS DOCUMENT AND INFORMATION CONTAINED MUST NOT BE COPIED OR DISCLOSED TO OTHERS WITHOUT WRITTEN PERMISSION OF BOSTON WHALER, INC.

DWG. NO: 08402

REV. J

CURRENT ECD 07044270

NOTES:



INTERPRET DIMENSIONS AND TOLERANCES PER ANSI Y 14.5 UNLESS OTHERWISE SPECIFIED DIMENSIONS ARE IN INCHES.  
 TOLERANCES: ANGLES = ± .5° .XXX = ± .010  
 .X = ± .1 X = ± 1/16  
 .XX = ± .03

DO NOT SCALE DRAWING

DRAWN: J HALPIN

DATE:06/14/05

SCALE: NONE

BOAT MODEL 2700R

MOLD NO.

DWG. TITLE:

HARDTOP ASSEMBLY

INIT. REL. ECN NO: 050678

DWG. NO: 08402

SHT. NO.

5 OF 8

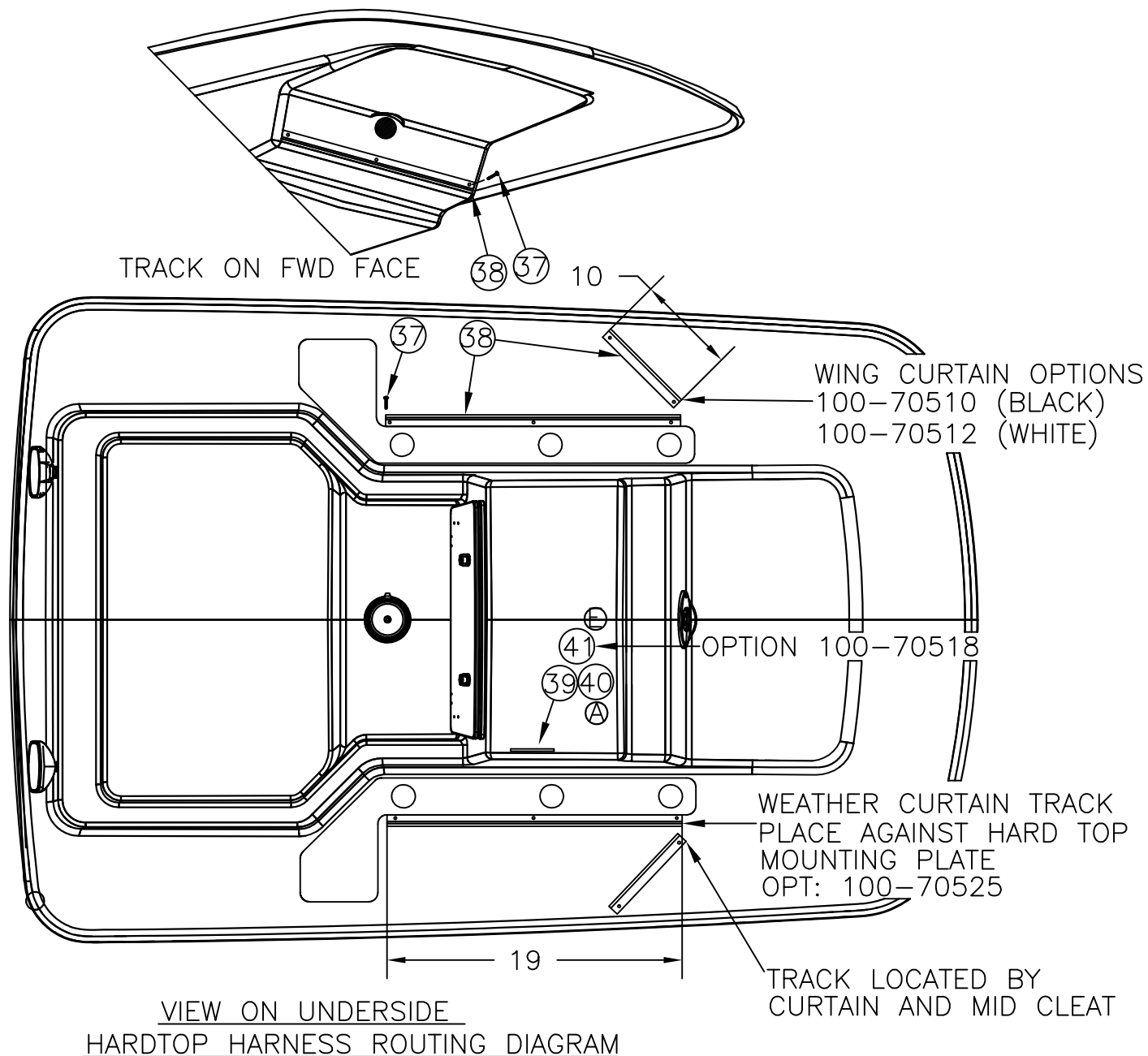
THIS DOCUMENT IS THE PROPERTY OF BOSTON WHALER, INC. MFG. DEPT., EDGEWATER, FLORIDA. ALL RIGHTS ARE RESERVED. THIS DOCUMENT AND INFORMATION CONTAINED MUST NOT BE COPIED OR DISCLOSED TO OTHERS WITHOUT WRITTEN PERMISSION OF BOSTON WHALER, INC.

DWG. NO:  
08402

REV.  
J

CURRENT ECD  
07044270

NOTES:



INTERPRET DIMENSIONS AND TOLERANCES PER ANSI Y 14.5 UNLESS OTHERWISE SPECIFIED DIMENSIONS ARE IN INCHES.  
TOLERANCES: ANGLES = ± .5° .XXX = ± .010  
.X = ± .1 .XX = ± .03 X = ± 1/16  
DO NOT SCALE DRAWING

DRAWN: J HALPIN DATE: 06/14/05 SCALE: NONE

DWG. TITLE:  
HARDTOP ASSEMBLY

BOAT MODEL  
2700R

MOLD NO.

INIT. REL. ECN NO:  
050678

DWG. NO:  
08402

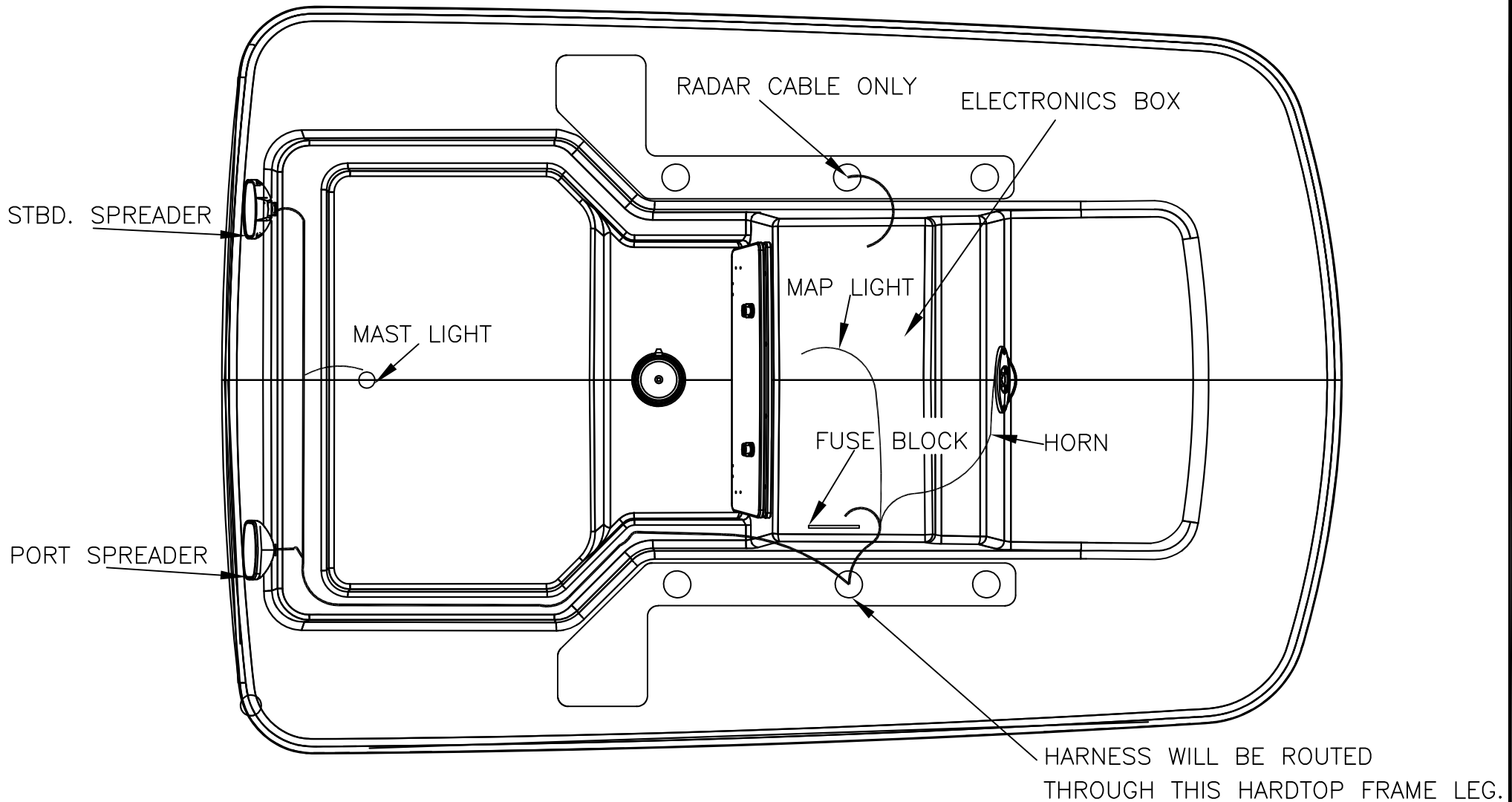
SHT. NO.  
6 OF 8

THIS DOCUMENT IS THE PROPERTY OF BOSTON WHALER, INC. MFG. DEPT., EDGEWATER, FLORIDA. ALL RIGHTS ARE RESERVED. THIS DOCUMENT AND INFORMATION CONTAINED MUST NOT BE COPIED OR DISCLOSED TO OTHERS WITHOUT WRITTEN PERMISSION OF BOSTON WHALER, INC.

DWG. NO:  
08402

REV.  
J

CURRENT ECD  
07044270



VIEW ON UNDERSIDE  
HARDTOP HARNESS ROUTING DIAGRAM



INTERPRET DIMENSIONS AND TOLERANCES PER ANSI Y 14.5 UNLESS OTHERWISE SPECIFIED DIMENSIONS ARE IN INCHES.  
TOLERANCES: ANGLES = ± .5° .XXX = ± .010  
.X = ± .1 .X = ± 1/16  
.XX = ± .03  
DO NOT SCALE DRAWING

DRAWN: J. HALPIN DATE: 6-14-05 SCALE: NONE

DWG. TITLE:  
HARDTOP ASSEMBLY

BOAT MODEL  
2700R

MOLD NO.

INIT. REL. ECN NO:  
050678

DWG. NO:  
08402

SHT. NO.

7 OF 8

THIS DOCUMENT IS THE PROPERTY OF BOSTON WHALER, INC. MFG. DEPT. EDgewater, Florida. ALL RIGHTS ARE RESERVED. THIS DOCUMENT AND INFORMATION CONTAINED MUST NOT BE COPIED OR DISCLOSED TO OTHERS WITHOUT WRITTEN PERMISSION OF BOSTON WHALER, INC.

DWG. NO:  
08402

REV.  
J

CURRENT ECD  
07044270

(A)

(G)

(B)

(F)

(F)

(J)

(H)

(H)

(H)

(H)

(H)

(H)

(H)

(A)

(A)

(F)

(H)

(H)

(J)

(J)

(J)

(J)

Parts List				
ITEM	QTY	U/M	DESCRIPTION	B.W.I. NO.
1	1	EA.	FIBERGLASS PART, HARDTOP	1815014
2	1	EA.	HORN, SGL BLK NO CONN SERIES 84400-1	1780938
3	1	EA.	HORN, GRILL SGL SS OVERLAY SERIES 84400-1	1781252
4	2	EA.	SCREW, TAPPING #8A X 1" POH SC	1213065
5	3	EA.	COVER, ABS BW-03 2.25" X 6.25" WHT	1754487
6	12	EA.	SCREW, TAPPING #6A x 1/2" PTH SC	1008796
7	1	EA.	LIGHT, SGL DOME FLUSH MT SS WHT/RED W/SW	1761590
8	3	EA.	SCREW, TAPPING #10A X 3/4" PTH SC	1008762
9	1	PR.	OUTRIGGERS, GRAND SLAM - TOP MNT ADJUSTABLE '06	1806617
10	1	EA.	FRAME, BW240/2700R-06 H/T BRUSHED ALUM	1801099
11	32	EA.	SCREW, MACHINE #1/4-20 X 3.5" PPH SC	1091784
12	42	EA.	WASHER, LOCK/SPLIT 1/4" SC	1260595
13	42	EA.	NUT, ACORN #1/4-20 SC	1357813
14	4	EA.	SCREW, MACHINE #1/4-20 X 1" PPH SC	1008580
15	6	EA.	SCREW, MACHINE #1/4-20 x 1.5" PPH SC	1008598
16	1	EA.	CANVAS, BW240/2700R-06 H/T STRG BAG BLK	1806805
17	16	EA.	SCREW, TAPPING #6A X 3/4" PTH SC	1010917
18	1	EA.	LIGHT, NAV A/R 24" VERT MNT FOLDING	1751342
19	6	EA.	SCREW, TAPPING #8A X 3/4" PPH SC	1885625
20	2	EA.	SPOTLIGHT, HALOGEN 12V FLOOD 55W WHT	1690119
21	X	FT.	CANVAS, BW-00 SLIDE TRACK HARDTOP VINYL WHT	1357730
22	1	EA.	BOX, HDPE BW240/2700R-06 ELEC W/DOOR	1806804
23	12	EA.	SCREW, TAPPING #8A X 1.5" POH SC	1255462
24	1	PR.	OUTRIGGERS, TELESCOPING 15'SILV/SILV W/BAG	1775383
25	1	EA.	OUTRIGGERS, RIGGING KIT PREMIUM BLK	1683760
26	10	EA.	SNAP STUD, W/#8 X 3/8" PH BR/NI/SS	0203786
27	4	EA.	SCREW, MACHINE #1/4-20 X 1.5" POH S	1010438
28	1	EA.	ANTENNA, VHF 1710 N/CBL MNT	1792452
29	1	EA.	MOUNT, RATCHET VHF 1815 SS QUICK-FIT	1792447
30	1	EA.	MOUNT, ANTENNA DECK GPS SS	0788711
31	6	EA.	SCREW, MACHINE #10-24 X 1" POH SC	1010446
32	1	EA.	RADAR, NRTHSTR RADOME 24" 4KW	1849977
33	4	EA.	WASHER, FLAT #10MM SS	1798126
34	4	EA.	WASHER, LOCK/SPLIT #10MM SS	1798123
35	4	EA.	BOLT, HEX HD #10MM X 35MM SS	1798122
36	1	EA.	RADAR, CABLE SEAL	1780436
37	17	EA.	SCREW, MACHINE #10-24 X 1/2" PPH SC SELF-TAP	1008655
38	.06	FT.	TRACK, PVC RIGID 10' WHT	1617398
39	1	EA.	FUSE BLOCK, 10-GNG BLADE-TYPE W/BLANK	1688102
40	6	EA.	SCREW, TAPPING #8A X 1" PTH SC	1008804
41	1	EA.	BOOT, PVC TERM	1689904
42	2	EA.	PLATE, ALUM BW-07 4KW RADOME ANTENNA	1874940
43	1	EA.	CANVAS, BW240/270-08 H/T STRG BAG BLUE	1893777
44	1	EA.	SPOTLIGHT, GOLIGHT HALOGEN	1840023
45	1	EA.	ARCH, RADAR ALUM BW-07 4KW RADOME	1878245
46	4	EA.	SCREW, MACHINE #1/4-20 X 2" PPH SC	1008614
47	4	EA.	WASHER, FLAT #1/4" SC	1260769
48	4	EA.	NUT, LOCK #1/4-20 SC ST	1009786

MOLD NO.

BOAT MODEL  
2700R

SCALE: NONE

DATE: 6-14-05

DRAWN: J. HALPIN  
DWG. TITLE:  
HARDTOP ASSEMBLY

INTERPRET DIMENSIONS AND TOLERANCES PER ANSI Y 14.5 UNLESS OTHERWISE SPECIFIED DIMENSIONS ARE IN INCHES.  
TOLERANCES: ANGLES = ± .5° .XXX = ± .010  
.X = ± .1  
.XX = ± .03  
X = ± 1/16  
DO NOT SCALE DRAWING



INIT. REL. ECD NO: 050678

DWG. NO: 08402

SHT. NO. 8 of 8

THIS DOCUMENT IS THE PROPERTY OF BOSTON WHALER, INC. MFG. DEPT., EDGEWATER, FLORIDA. ALL RIGHTS ARE RESERVED. THIS DOCUMENT AND INFORMATION CONTAINED MUST NOT BE COPIED OR DISCLOSED TO OTHERS WITHOUT WRITTEN PERMISSION OF BOSTON WHALER, INC.

DWG. NO:  
060359

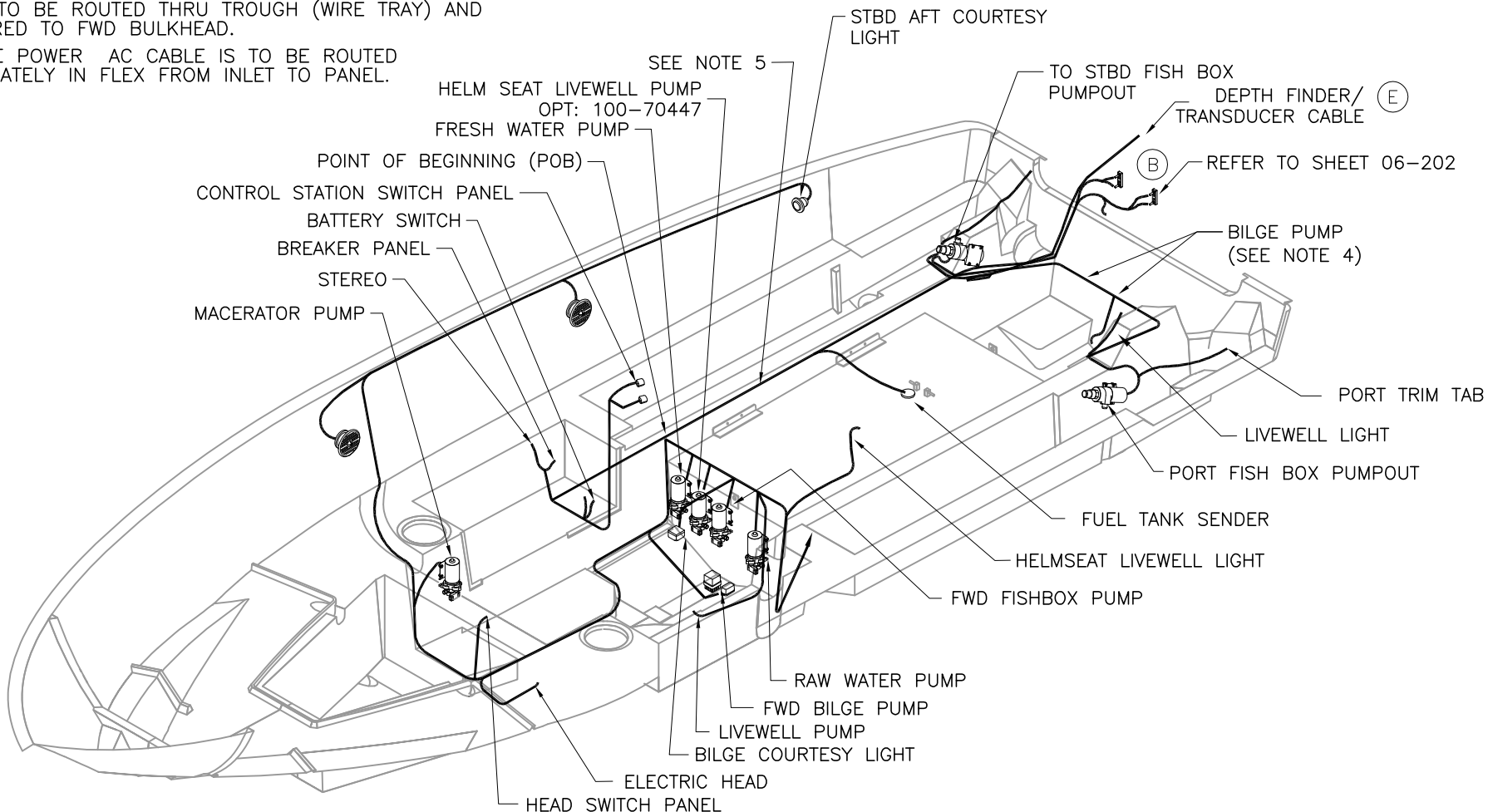
REV.  
H

CURRENT ECD  
060359

NOTES:

1. SECURE HARNESS w/ITEMS 01,02 & 03 ON 14" MAX CENTERS. INSTALLATION SHALL BEGIN AT "POB".
2. ALL TERMINAL CONNECTIONS SHALL BE CORROSION SEALED USING T-9 SPRAY.
3. SEE DWG. #07-205 FOR HARNESS CONSTRUCTION.
4. MAKE CONNECTION AS HIGH AS POSSIBLE STARBOARD, ABOVE NORMAL ACCUMULATION OF BILGE WATER, AT PUMP WIRE ENDS (MIN 24").
5. WIRE TO BE ROUTED THRU TROUGH (WIRE TRAY) AND SECURED TO FWD BULKHEAD.
6. SHORE POWER AC CABLE IS TO BE ROUTED SEPARATELY IN FLEX FROM INLET TO PANEL.

REVISIONS					
REV.	DESCR.	BY	DATE	APPVD.	ECN NO.
G	ADDED CHARGER HARNESSSES 04 & 05, SHEET 2	TS	02/27/06	AVM	060328
H	MYE 2007: REMOVE GROUND AT FUEL FILL	SWH	04/14/03	MG	060359



INTERPRET DIMENSIONS AND TOLERANCES PER ANSI Y 14.5 UNLESS OTHERWISE SPECIFIED DIMENSIONS ARE IN INCHES.  
 TOLERANCES: ANGLES = ± .5° .XXX = ± .010  
 .X = ± .1 X = ± 1/16  
 .XX = ± .03 X = ± 1/16  
 DO NOT SCALE DRAWING



CHECKED: R. DURHAM	DATE: 11/28/01	DRAWN: H READ	DATE: 11/15/01	SCALE: NONE	BOAT MODEL 2700R	MOLD NO.
APPD: R. CLIFTON	DATE: 11/28/01	DWG. TITLE: HARNESS INSTALLATION			INIT. REL. ECN NO: 010624	DWG. NO: 07801
DESIGN: L. SCHOLZ	DATE: 11/30/01					SHT. NO. 1 OF 2
INT. ENG: M. GATICA	DATE: 1/17/02					

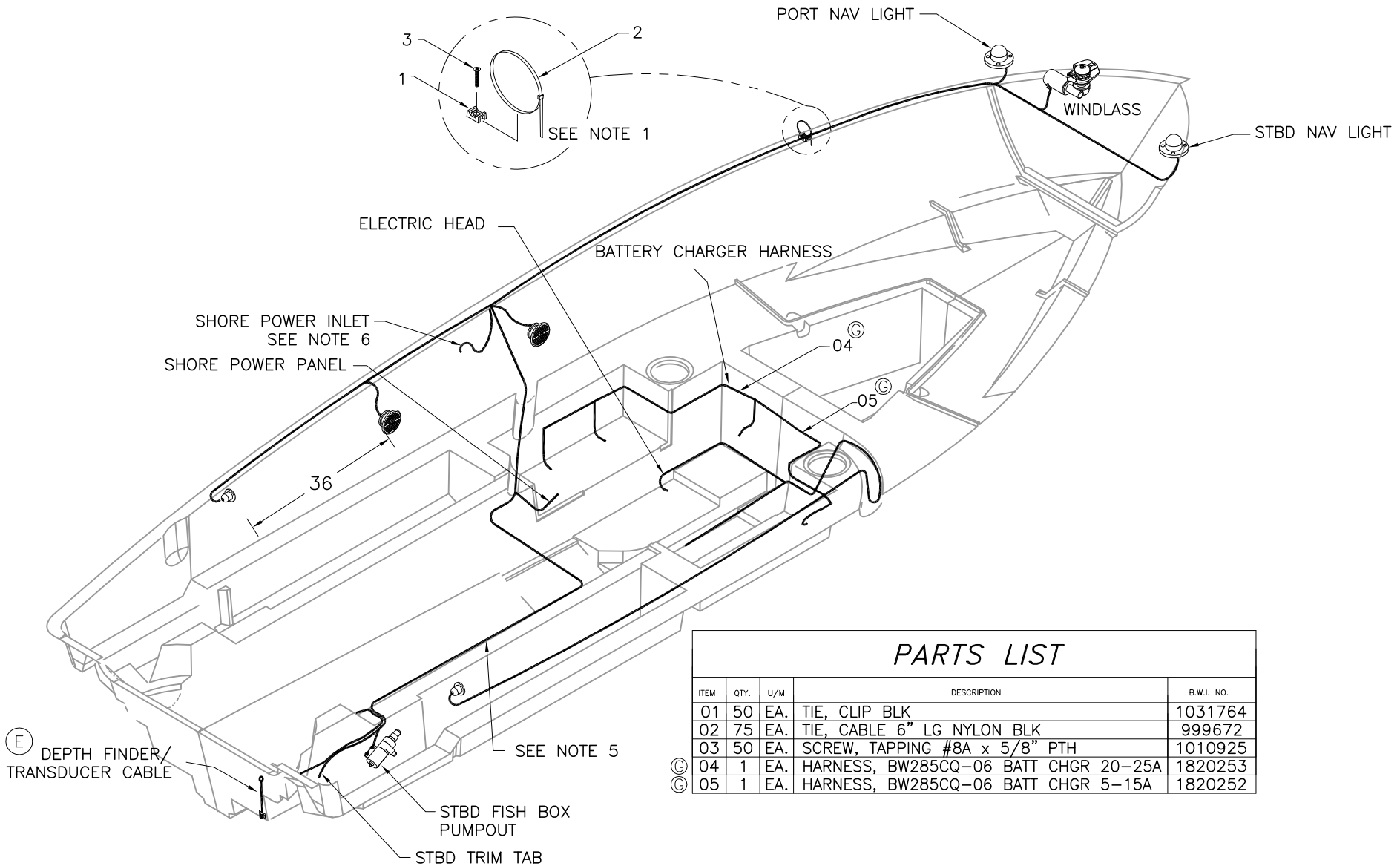
THIS DOCUMENT IS THE PROPERTY OF BOSTON WHALER, INC. MFG. DEPT., EDGEWATER, FLORIDA. ALL RIGHTS ARE RESERVED. THIS DOCUMENT AND INFORMATION CONTAINED MUST NOT BE COPIED OR DISCLOSED TO OTHERS WITHOUT WRITTEN PERMISSION OF BOSTON WHALER, INC.

DWG. NO:  
07801

REV.  
H

CURRENT ECD  
060359

NOTES:



### PARTS LIST

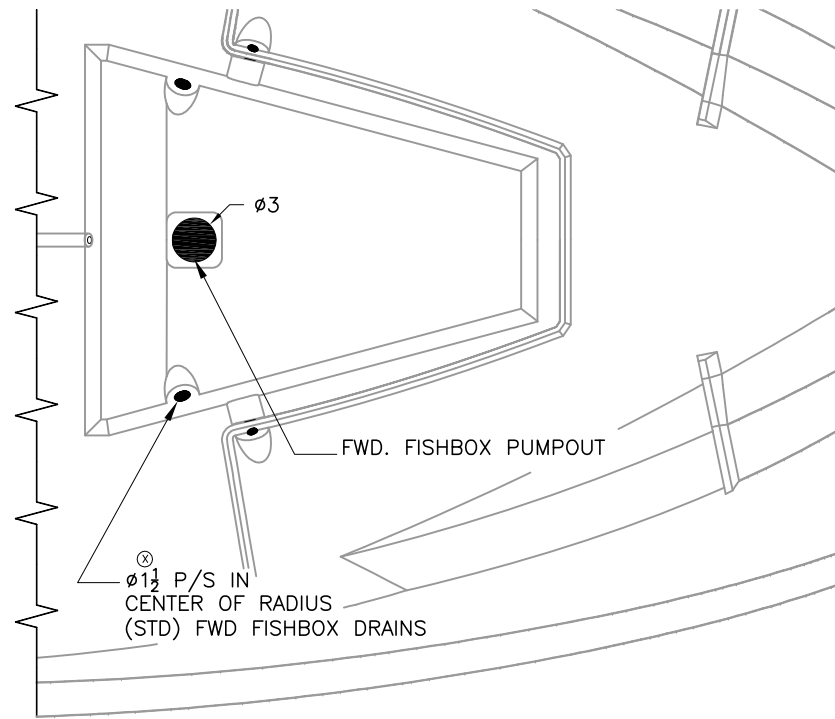
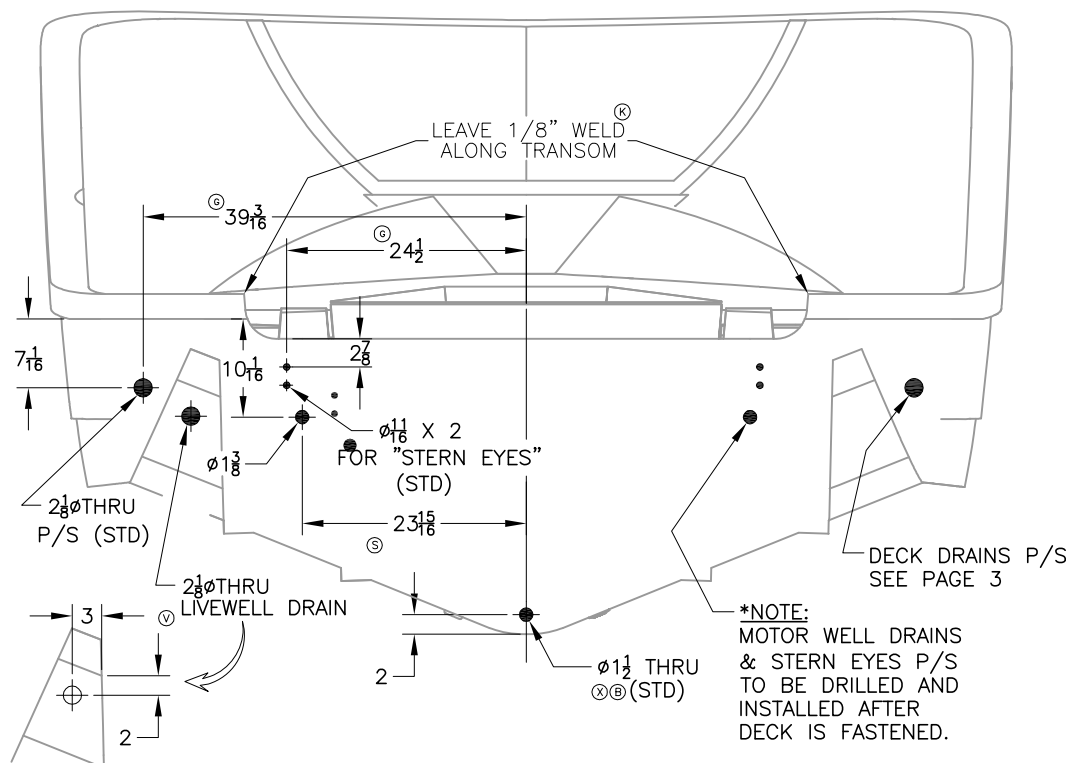
ITEM	QTY.	U/M	DESCRIPTION	B.W.I. NO.
01	50	EA.	TIE, CLIP BLK	1031764
02	75	EA.	TIE, CABLE 6" LG NYLON BLK	999672
03	50	EA.	SCREW, TAPPING #8A x 5/8" PTH	1010925
ⓐ 04	1	EA.	HARNESS, BW285CQ-06 BATT CHGR 20-25A	1820253
ⓐ 05	1	EA.	HARNESS, BW285CQ-06 BATT CHGR 5-15A	1820252

THIS DOCUMENT IS THE PROPERTY OF BOSTON WHALER, INC. MFG. DEPT., EDGEWATER, FLORIDA. ALL RIGHTS ARE RESERVED. THIS DOCUMENT AND INFORMATION CONTAINED MUST NOT BE COPIED OR DISCLOSED TO OTHERS WITHOUT WRITTEN PERMISSION OF BOSTON WHALER, INC.

DWG. NO: 06101  
 REV. AC  
 CURRENT ECD 07044252

REVISIONS					
REV.	DESCR.	BY	DATE	APPVD.	ECN NO.
W	CHANGED PN# & DESCRIPTION ITEM 20, SHEET 7 & 8	SLJ	12/02/05	ME	050325
X	HOLE Ø WAS 1-3/8", 3 WAS QNT 8, 4 WAS QNT 8, ADD 39-42	SWH	3/10/06	MG	050544
Y	MYE 2007: DELETE FUEL VENT HOLE, ITEM # 11 WAS QNT 2	SWH	4/12/06	MG	060359
Z	MYE 2007: OPT WAS 100-70447	AT	05/17/06	MG	060592
AA	ITEM #14 BOW EYE P/N 1835882 WAS 995456, SHEETS 5 AND 8.	SL	12/11/06	AVM	06113803
AB	CHANGED THRU-HULL HOLE DIMENSION, SHEET 3. WAS 1-1/4	SLJ	03/08/07	AVM	07034019
AC	ADDED NOTE TO WINDLASS REMOTE HOLDER, SHEET 6. CHANGED PN# ITEM 36 36	SLJ	05/15/07	AVF	07044252

- ALL THRU HULL CUTS WITH EXPOSED WOOD, FOAM OR PHENOLIC MUST BE SEALED USING WHITE CATALYZED GEL COAT.
- ALL THRU HULLS IN THE BOTTOM OF THE HULL MUST PASS THROUGH A CURED PUTTY BOX.
- ALL THRU HULLS SHALL BE INSTALLED USING WHITE MARINE ADHESIVE ON INTERNAL & EXTERNAL GEL COAT SURFACES.
- ALL FASTENINGS INTO THE HULL MUST BE SEALED WITH MARINE ADHESIVE, SEATED FLUSH AND HAVE NO BURRS.
- USE DRILLING FIXTURES (SEE DWG. LIST 01-201)
- REFER TO DWG. #01-251 FOR HOSE CUT LIST.
- TRIM HULL WELD FLUSH W/LINER THROUGHOUT HULL PERIMETER.



INTERPRET DIMENSIONS AND TOLERANCES PER ANSI Y 14.5 UNLESS OTHERWISE SPECIFIED DIMENSIONS ARE IN INCHES.  
 TOLERANCES: ANGLES = ± .5° .XXX = ± .010  
 .X = ± .1 .XX = ± .03 X = ± 1/16  
 DO NOT SCALE DRAWING



CHECKED: R. AVILA	DATE: 10/03/01	DRAWN: R CRAVEN	DATE: 09/14/01	SCALE: NONE	BOAT MODEL 2700R	MOLD NO.
APPD: K. RANIERI	DATE: 10/03/01	DWG. TITLE: HULL CUTOUT AND THRU HULLS			INIT. REL. ECN NO: 010624	DWG. NO: 06101
DESIGN: L. SCHOLZ	DATE: 10/04/01					SHT. NO. 1 of 8
INT. ENG: M. GATICA	DATE: 1/15/02					

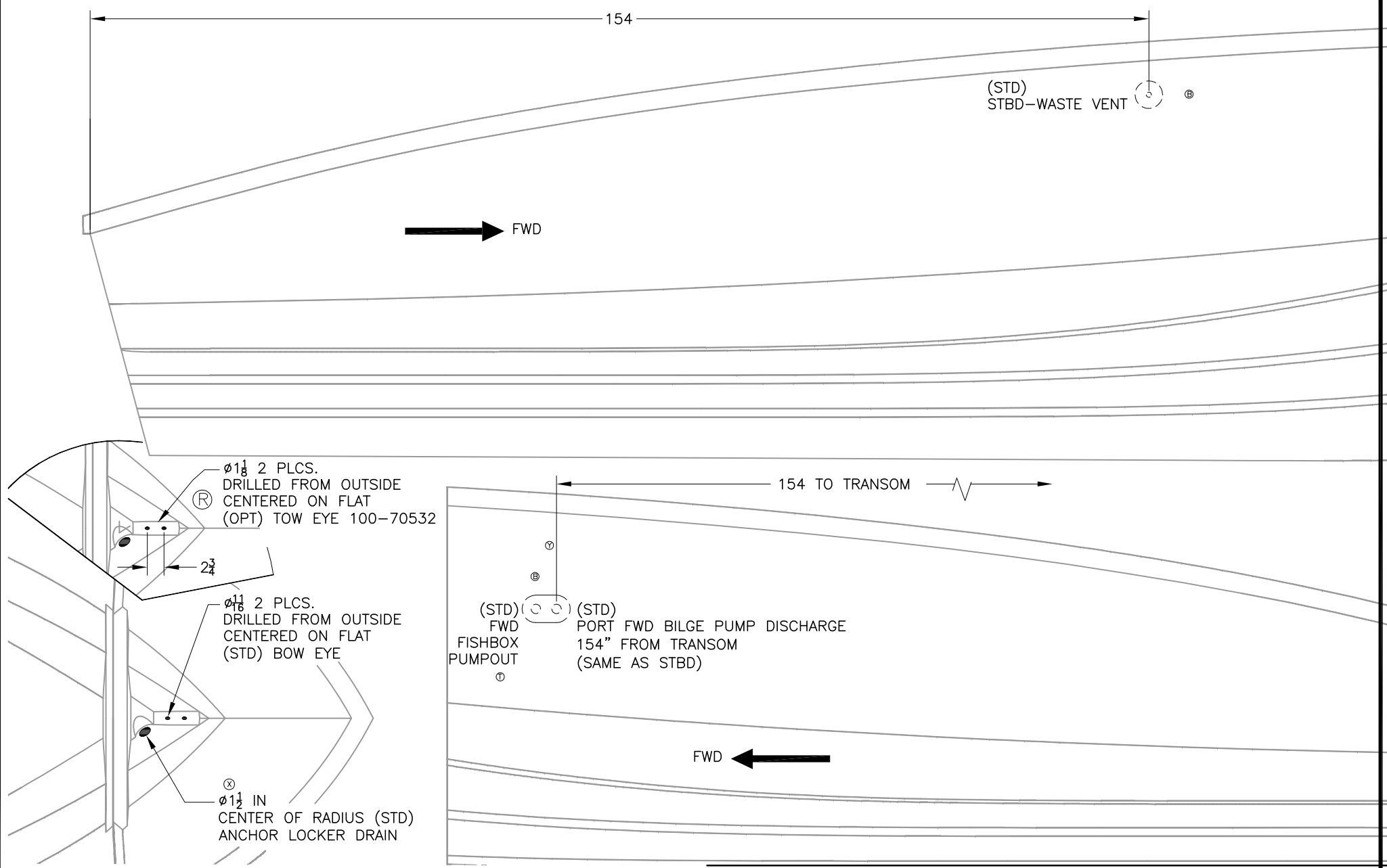


THIS DOCUMENT IS THE PROPERTY OF BOSTON WHALER, INC. MFG. DEPT., EDGEWATER, FLORIDA. ALL RIGHTS ARE RESERVED. THIS DOCUMENT AND INFORMATION CONTAINED MUST NOT BE COPIED OR DISCLOSED TO OTHERS WITHOUT WRITTEN PERMISSION OF BOSTON WHALER, INC.

DWG. NO:  
06101

REV.  
AC

CURRENT ECD  
07044252



INTERPRET DIMENSIONS AND TOLERANCES PER ANSI Y 14.5 UNLESS OTHERWISE SPECIFIED DIMENSIONS ARE IN INCHES.  
 TOLERANCES: ANGLES = ± .5° .XXX = ± .010  
 .X = ± .1 X = ± 1/16  
 .XX = ± .03 X = ± 1/16  
 DO NOT SCALE DRAWING

DRAWN: R CRAVEN DATE: 09/14/01 SCALE: NONE  
 DWG. TITLE: HULL CUTOUT AND THRU HULLS

BOAT MODEL  
2700R  
 INIT. REL. ECN NO:  
010624

MOLD NO.  
 DWG. NO:  
06101

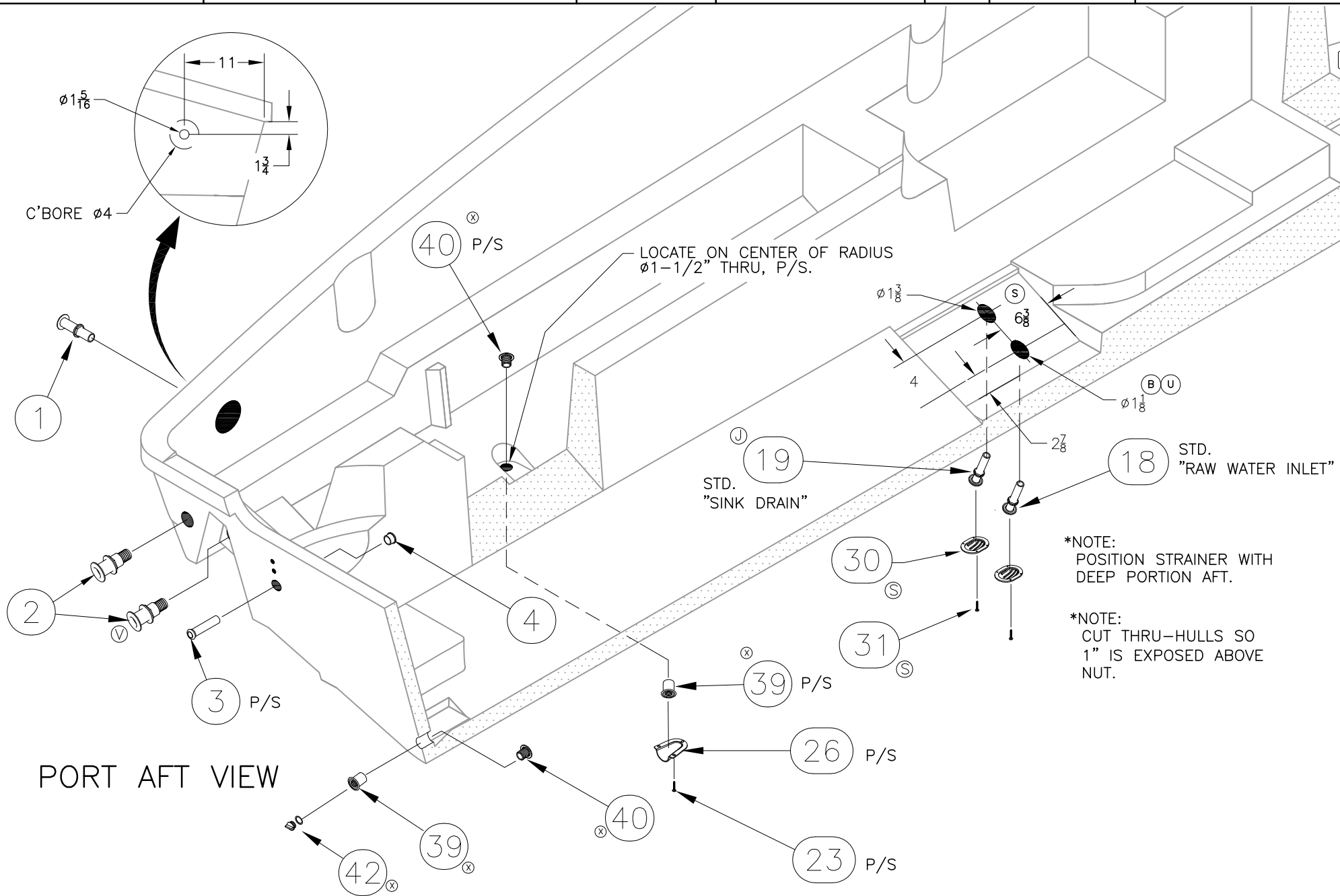
SHT. NO.  
2 of 8

THIS DOCUMENT IS THE PROPERTY OF BOSTON WHALER, INC. MFG. DEPT., EDGEWATER, FLORIDA. ALL RIGHTS ARE RESERVED. THIS DOCUMENT AND INFORMATION CONTAINED MUST NOT BE COPIED OR DISCLOSED TO OTHERS WITHOUT WRITTEN PERMISSION OF BOSTON WHALER, INC.

DWG. NO:  
06101

REV.  
AC

CURRENT ECD  
07044252



PORT AFT VIEW

\*NOTE:  
POSITION STRAINER WITH  
DEEP PORTION AFT.

\*NOTE:  
CUT THRU-HULLS SO  
1" IS EXPOSED ABOVE  
NUT.



INTERPRET DIMENSIONS AND TOLERANCES PER ANSI Y 14.5 UNLESS OTHERWISE SPECIFIED DIMENSIONS ARE IN INCHES.  
TOLERANCES: ANGLES = ± .5° .XXX = ± .010  
.X = ± .1 .X = ± 1/16  
.XX = ± .03 .X = ± 1/16  
DO NOT SCALE DRAWING

DRAWN: R CRAVEN DATE:09/14/01 SCALE: NONE

DWG. TITLE:

HULL CUTOUT AND THRU HULLS

BOAT MODEL

2700R

MOLD NO.

INIT. REL. ECN NO:

010624

DWG. NO:

06101

SHT. NO.

3 of 8

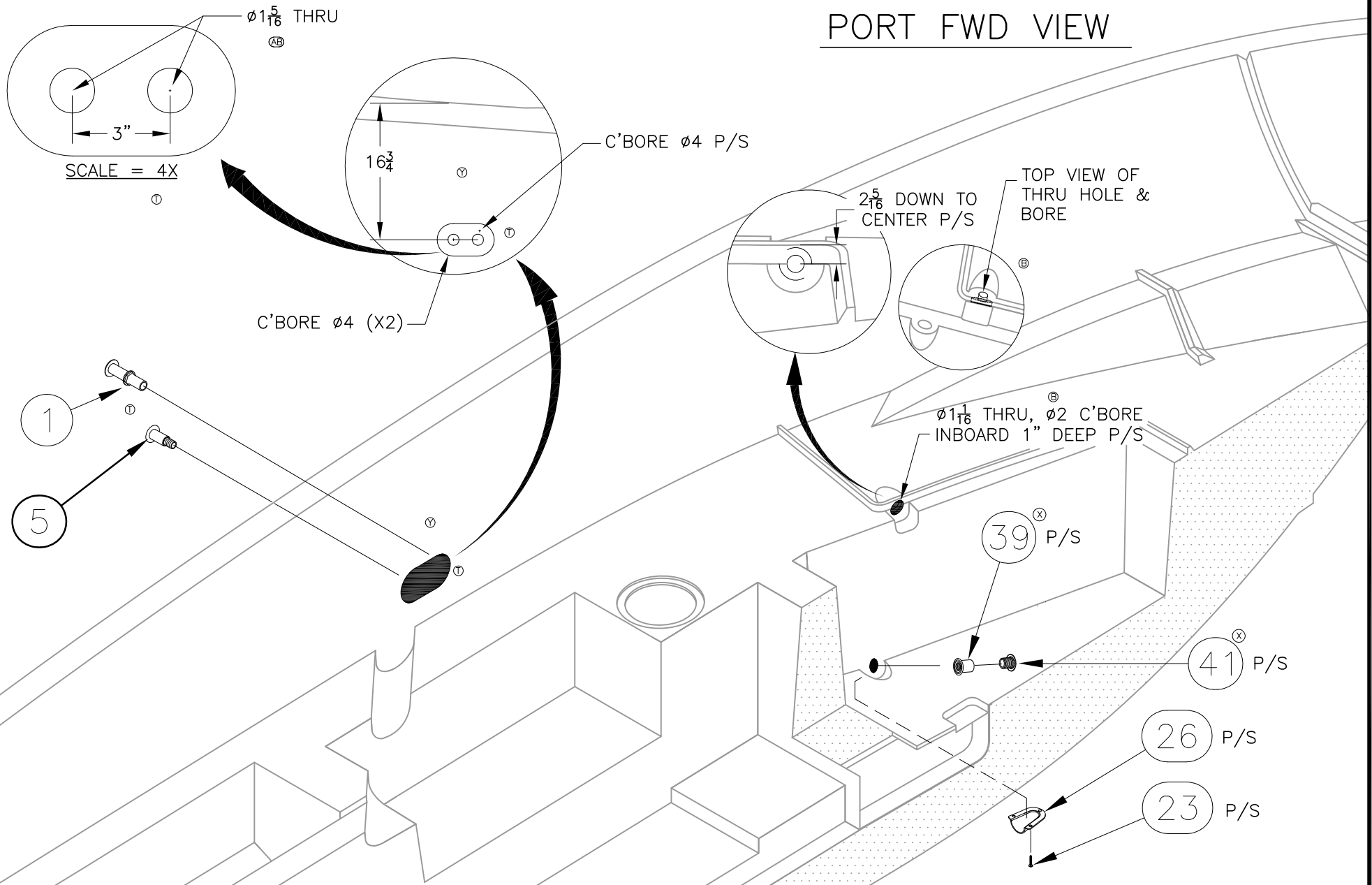
THIS DOCUMENT IS THE PROPERTY OF BOSTON WHALER, INC. MFG. DEPT., EDGEWATER, FLORIDA. ALL RIGHTS ARE RESERVED. THIS DOCUMENT AND INFORMATION CONTAINED MUST NOT BE COPIED OR DISCLOSED TO OTHERS WITHOUT WRITTEN PERMISSION OF BOSTON WHALER, INC.

DWG. NO:  
06101

REV.  
AC

CURRENT ECD  
07044252

PORT FWD VIEW



INTERPRET DIMENSIONS AND TOLERANCES PER ANSI Y 14.5 UNLESS OTHERWISE SPECIFIED DIMENSIONS ARE IN INCHES.  
 TOLERANCES: ANGLES = ± .5° .XXX = ± .010  
 .X = ± .1 X = ± 1/16  
 .XX = ± .03  
 DO NOT SCALE DRAWING

DRAWN: R CRAVEN DATE: 09/14/01 SCALE: NONE

DWG. TITLE: HULL CUTOUT AND THRU HULLS

BOAT MODEL

2700R

MOLD NO.

INIT. REL. ECN NO:  
010624

DWG. NO:  
06101

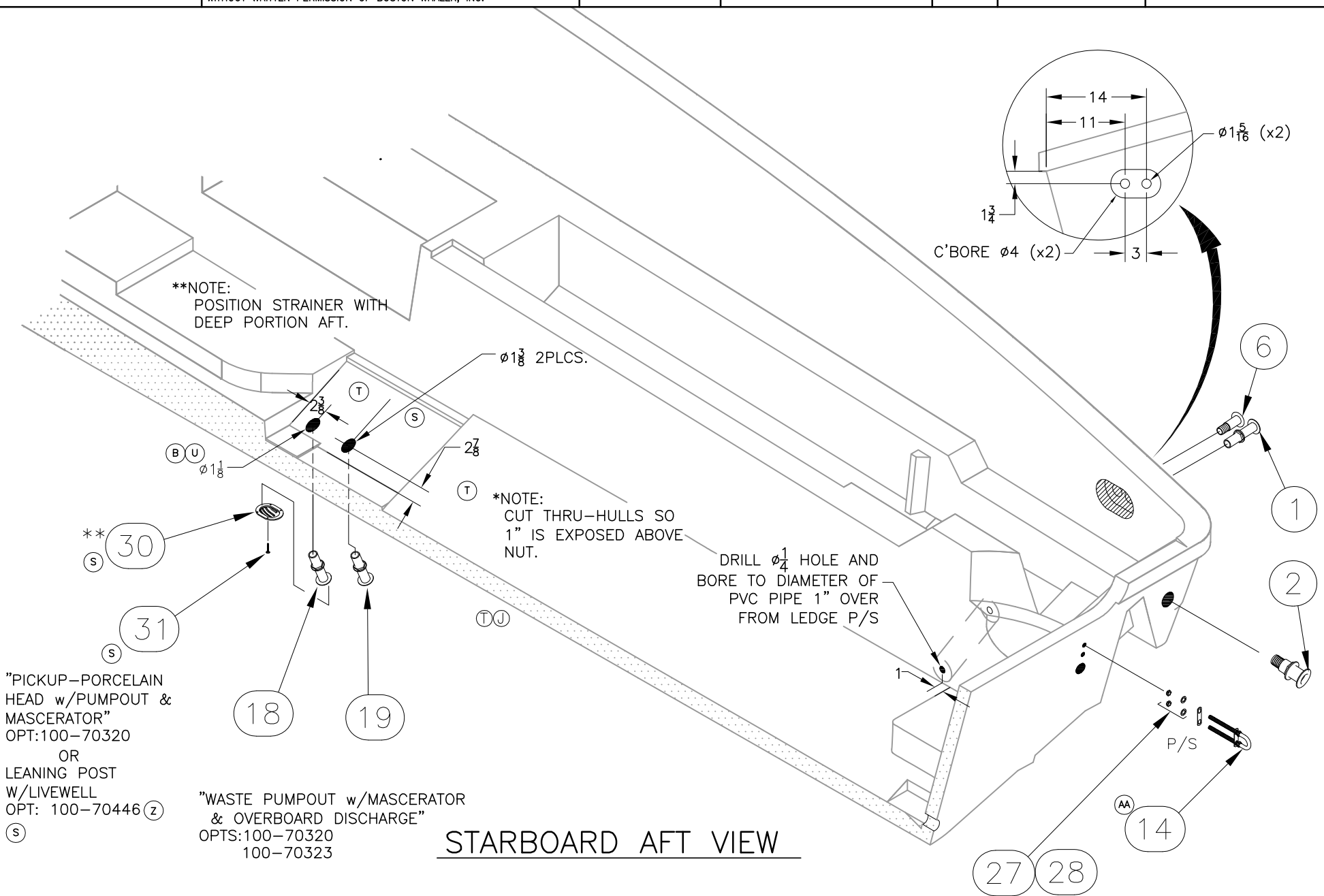
SHT. NO.  
4 OF 8

THIS DOCUMENT IS THE PROPERTY OF BOSTON WHALER, INC. MFG. DEPT., EDGEWATER, FLORIDA. ALL RIGHTS ARE RESERVED. THIS DOCUMENT AND INFORMATION CONTAINED MUST NOT BE COPIED OR DISCLOSED TO OTHERS WITHOUT WRITTEN PERMISSION OF BOSTON WHALER, INC.

DWG. NO:  
06101

REV.  
AC

CURRENT ECD  
07044252



**STARBOARD AFT VIEW**



INTERPRET DIMENSIONS AND TOLERANCES PER ANSI Y 14.5 UNLESS OTHERWISE SPECIFIED DIMENSIONS ARE IN INCHES.  
TOLERANCES: ANGLES =  $\pm .5^\circ$  .XXX =  $\pm .010$   
.X =  $\pm .1$  .XX =  $\pm .03$  X =  $\pm 1/16$   
DO NOT SCALE DRAWING

DRAWN: R CRAVEN DATE:09/14/01 SCALE: NONE  
DWG. TITLE: HULL CUTOUT AND THRU HULLS

BOAT MODEL 2700R  
INIT. REL. ECN NO: 010624

MOLD NO.  
DWG. NO: 06101

SHT. NO. 5 OF 8

THIS DOCUMENT IS THE PROPERTY OF BOSTON WHALER, INC. MFG. DEPT., EDGEWATER, FLORIDA. ALL RIGHTS ARE RESERVED. THIS DOCUMENT AND INFORMATION CONTAINED MUST NOT BE COPIED OR DISCLOSED TO OTHERS WITHOUT WRITTEN PERMISSION OF BOSTON WHALER, INC.

DWG. NO:  
06101

REV.  
AC

CURRENT ECD  
07044252

APPLY LOCTITE TO THREADS, PER MFRS. INSTRUCTION WHEN INSTALLING THESE ITEMS. (LOCTITE = MRP# 1392893)

DELETE ITEMS; 12,13, 27 & 28  
W/ OPT# 100-70532

INSTALL REMOTE HOLDER SUPPLIED W/WINDLASS REMOTE

OPT 100-70519 & 100-70521 (ONLY)

STARBOARD FWD VIEW

OPT: 100-70054

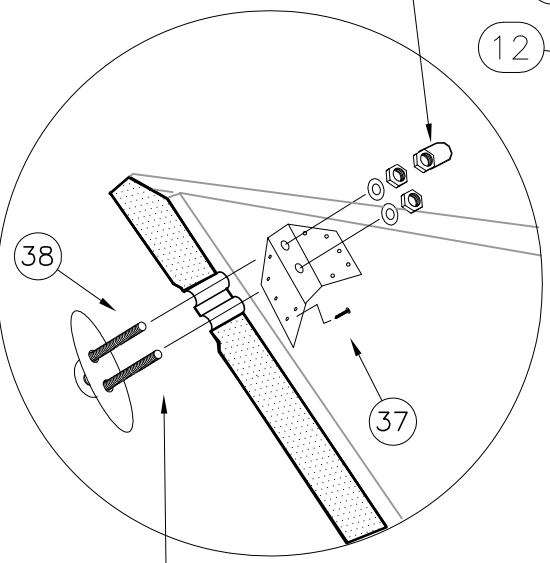
STANDARD AFT CLIP LOCATION

DO NOT USE SEALANT! USE SEAL PROVIDED WITH VENT

DRILL  $\frac{1}{4}$ " HOLE AND BORE TO DIAMETER OF PVC PIPE 1" DOWN

\*\*NOTE: POSITION STRAINER WITH DEEP PORTION AFT.

OPT 100-70532



DO NOT CUT



INTERPRET DIMENSIONS AND TOLERANCES PER ANSI Y 14.5 UNLESS OTHERWISE SPECIFIED DIMENSIONS ARE IN INCHES.  
TOLERANCES: ANGLES =  $\pm .5^\circ$  .XXX =  $\pm .010$   
.X =  $\pm .1$  X =  $\pm 1/16$   
.XX =  $\pm .03$   
DO NOT SCALE DRAWING

DRAWN: R CRAVEN DATE: 09/14/01 SCALE: NONE  
DWG. TITLE: HULL CUTOUT AND THRU HULLS

BOAT MODEL: 2700R  
INIT. REL. ECN NO: 010624

MOLD NO.  
DWG. NO: 06101

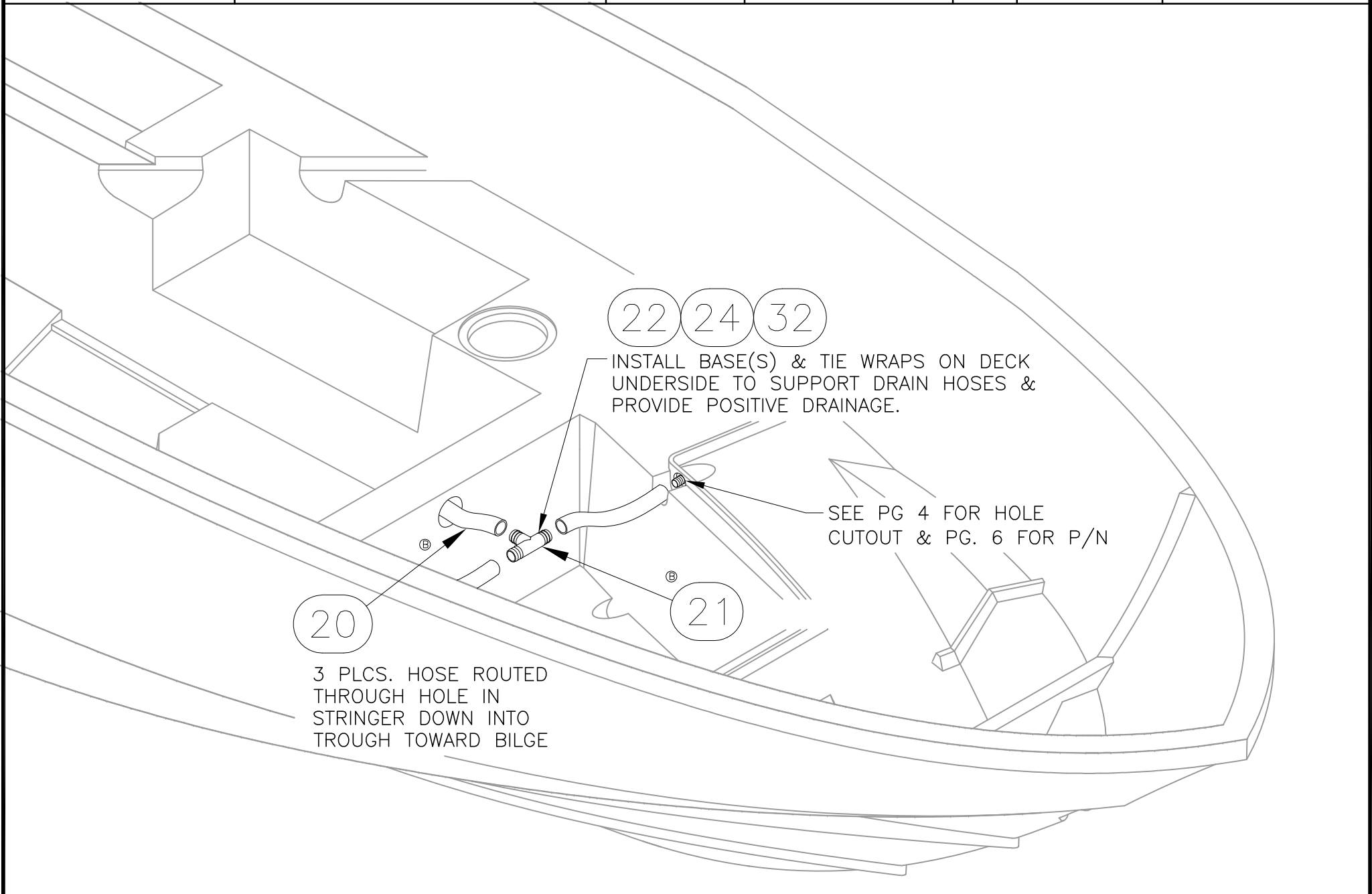
SHT. NO. 6 OF 8

THIS DOCUMENT IS THE PROPERTY OF BOSTON WHALER, INC. MFG. DEPT., EDGEWATER, FLORIDA. ALL RIGHTS ARE RESERVED. THIS DOCUMENT AND INFORMATION CONTAINED MUST NOT BE COPIED OR DISCLOSED TO OTHERS WITHOUT WRITTEN PERMISSION OF BOSTON WHALER, INC.

DWG. NO:  
06101

REV.  
AC

CURRENT ECD  
07044252



20

3 PLCS. HOSE ROUTED THROUGH HOLE IN STRINGER DOWN INTO TROUGH TOWARD BILGE

22 24 32

INSTALL BASE(S) & TIE WRAPS ON DECK UNDERSIDE TO SUPPORT DRAIN HOSES & PROVIDE POSITIVE DRAINAGE.

21

SEE PG 4 FOR HOLE CUTOUT & PG. 6 FOR P/N



INTERPRET DIMENSIONS AND TOLERANCES PER ANSI Y 14.5 UNLESS OTHERWISE SPECIFIED DIMENSIONS ARE IN INCHES.  
TOLERANCES: ANGLES = ± .5° .XXX = ± .010  
.X = ± .1 X = ± 1/16  
.XX = ± .03  
DO NOT SCALE DRAWING

DRAWN: R CRAVEN DATE:09/14/01 SCALE: NONE

DWG. TITLE:  
HULL CUTOUT AND THRU HULLS

BOAT MODEL

2700R

MOLD NO.

INIT. REL. ECN NO:

010624

DWG. NO:

06101

SHT. NO.

7 OF 8

THIS DOCUMENT IS THE PROPERTY OF BOSTON WHALER, INC. MFG. DEPT., EDGEWATER, FLORIDA. ALL RIGHTS ARE RESERVED. THIS DOCUMENT AND INFORMATION CONTAINED MUST NOT BE COPIED OR DISCLOSED TO OTHERS WITHOUT WRITTEN PERMISSION OF BOSTON WHALER, INC.

DWG. NO:  
06101

REV.  
AC

CURRENT ECD  
07044252

Parts List						
ITEM	QTY		U/M	DESCRIPTION	B.W.I.	NO.
	STD	OPT				
(T) 1	3		EA.	THRU-HULL, SS 1 1/8" x 1" BARB	1521418	
(V) (C) 2	3		EA.	THRU-HULL, SS 1.5"X 3.5"BARB W/FLAP	1689111	
(X) 3	2		EA.	THRU-HULL, PVC PRESS-FIT	1042084	
(X) 4	2		EA.	NUT, PVC RETAINING THRU-HULL	1042068	
5	1		EA.	THRU-HULL, SS 1 1/8" x 3/4" BARB	1521434	
6	1		EA.	THRU-HULL, SS 1 1/8"X 1 1/8"BARB	1687508	
(O) 7	1		EA.	GROMMET, VENT HOSE 3" BLK	1580810	
(O) 8	1		EA.	THRU-HULL, PLAS 1.5" TUBE x 90DEG w/GRILL WHT	1668326	
(O) 9	1		EA.	PANEL, HDPE BW2700R-02 CLSOUT FWD BOX w/DRAIN	1685230	
(O) 10	1		EA.	PANEL, HDPE BW2700R-02 CLSOUT FWD FISHBOX	1685229	
(Y) (P) 11	1		EA.	VENT, FUEL/WATER SS 3/4" FLUSH STRAIGHT	1754881	
(E) 12	1		EA.	EYE, BOW 1/2"X 6" SS	0995742	
(N) (E) 13	1		EA.	EYE, LIFTING 1/2" SS	1750949	
(AA) (E) 14	2		EA.	EYE, BOW 1/2"X 3 3/4"SS	1835882	
15	2		EA.	DRAIN, 1" IMPACT w/BARB BLK	1041888	
16	2		FT.	PORTLIGHT, GASKET 3/8" SATURATED FOAM	1615194	
17	4		EA.	SCREW, TAPPING #10A x 2" POH SC	1261163	
18	1	1	EA.	THRU-HULL, BRZ 3/4" w/NUT X-LONG	1032499	
(T) (O) (J) 19	1	1	EA.	THRU-HULL, BRZ 1" W/NUT X-LONG	1691075	
20	NOTE 6		FT.	HOSE, GEN PURPOSE 1"	0196667	
21	1		EA.	TEE, PVC 1"BARB x 1"BARB x1"BARB	0354886	
(F) 22	4		EA.	TIE, CLIP BLK	1031764	
23	14		EA.	SCREW, TAPPING #8A x 1" PTH SC	1008804	
(F) 24	4		EA.	TIE, CABLE 6" LG NYLON BLK	0999672	
(L) 25	NOTE 6		FT.	HOSE, SANI/SMOOTH WALL 1.5"	1746048	
26	4		EA.	VENT, CLAMSHELL ROPE LCKR 2"x2"	0533430	
(E) 27	5		EA.	NUT, ACORN #1/2-13 SC	1662402	
(E) 28	5		EA.	WASHER, LOCK/SPLIT 1/2" SC	1326214	
(O) 29	2		EA.	CLAMP, HOSE #24 1"-2" SS .505	0256693	
30	1	1	EA.	STRAINER, MARELON 3/4" SCREEN ONLY	0995589	
31	4	4	EA.	SCREW, TAPPING #8A x 1" POH SC	1213065	
(F) 32	2		EA.	SCREW, TAPPING #8A x 5/8" PTH SC	1010925	
(I) 33	1		PR.	CLIP, POLE STRG BLK - MAST LIGHTSC	0590646	
(I) 34	2		EA.	SCREW, TAPPING #10A X 1" PTH SC SC	1008739	
(O) 35		1	EA.	HOLDER, HDPE BW3200R-03 WNDLS REMOTE	1748934	
(AC) (O) 36		2	EA.	SCREW, TAPPING #8A X 1" PPH SC	1213115	
(R) 37		10	EA.	SCREW, TAPPING #14A X 1.5" PFH SC	1008382	
(R) 38		1	EA.	EYE, BOW TOW BW2700R-04 W/BACKING PLATE SS	1770641	
(X) 39	6		EA.	THRU-HULL, MARELON BW-06 SHORT FEMALE	1806032	
(X) 40	4		EA.	THRU-HULL, MARELON BW-06 SHORT MALE	1806031	
(X) 41	2		EA.	THRU-HULL, MARELON BW-06 LONG MALE	1806030	
(X) 42	1		EA.	PLUG, MARELON BW-06 DRAIN 1" W/GASKET	1806033	



INTERPRET DIMENSIONS AND TOLERANCES PER ANSI Y 14.5 UNLESS OTHERWISE SPECIFIED DIMENSIONS ARE IN INCHES.  
 TOLERANCES: ANGLES = ± .5° .xxx = ± .010  
 .x = ± .1 X = ± 1/16  
 .xx = ± .03

DO NOT SCALE DRAWING

DRAWN: R CRAVEN DATE:09/14/01 SCALE: NONE  
 DWG. TITLE: HULL CUTOUT AND THRU HULLS

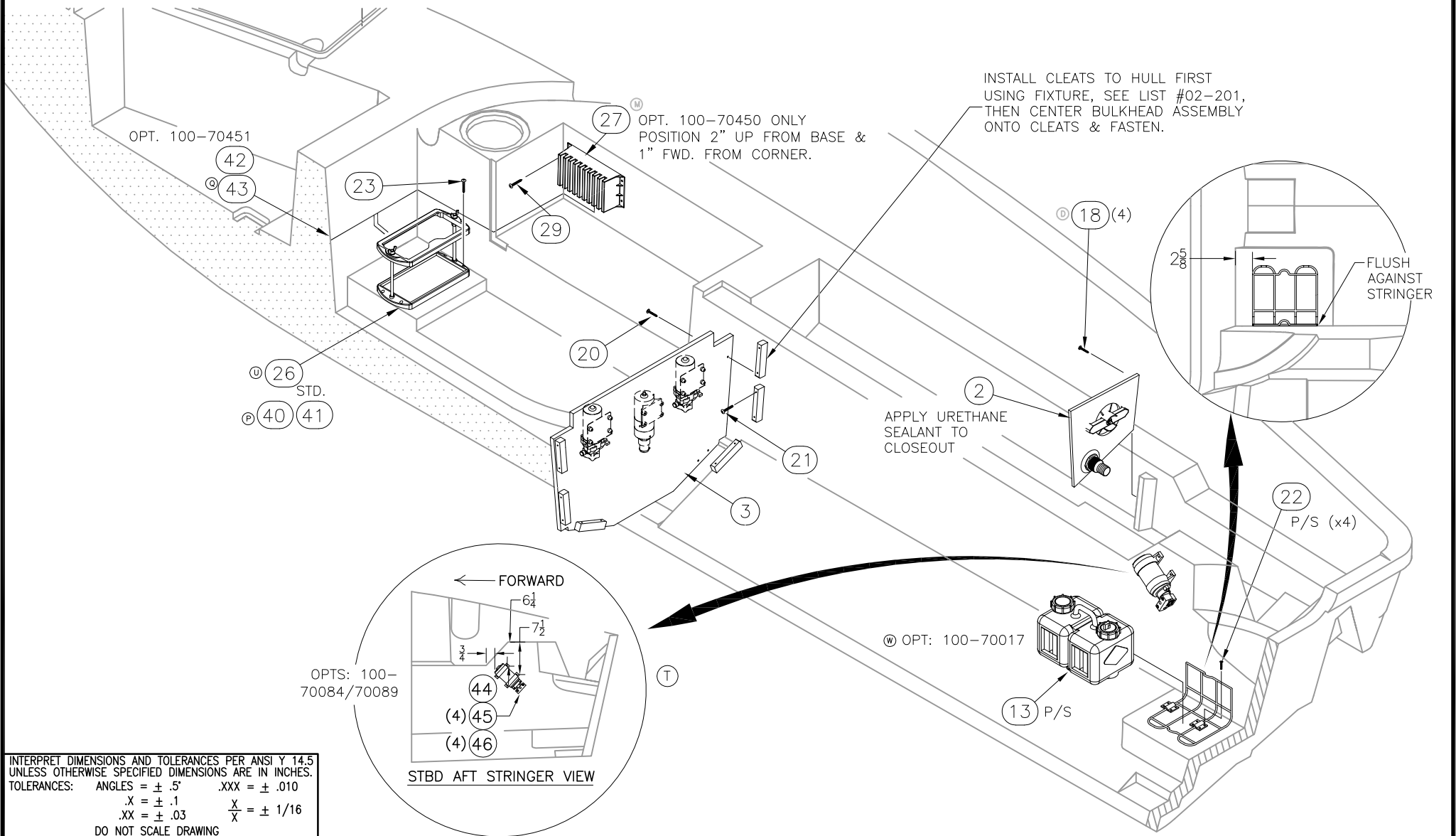
BOAT MODEL: 2700R MOLD NO.:  
 INIT. REL. ECN NO: 010624 DWG. NO: 06101 SHT. NO. 8 of 8

THIS DOCUMENT IS THE PROPERTY OF BOSTON WHALER, INC. MFG. DEPT., EDGEWATER, FLORIDA. ALL RIGHTS ARE RESERVED. THIS DOCUMENT AND INFORMATION CONTAINED MUST NOT BE COPIED OR DISCLOSED TO OTHERS WITHOUT WRITTEN PERMISSION OF BOSTON WHALER, INC.

DWG. NO: 06151  
 REV. W  
 CURRENT ECD 07054359

REVISIONS				
REV.	DESCR.	BY	DATE	APPVD.

1. OIL TANKS HELD BY BUNGEE CORD SUPPLIED W/KIT.



INTERPRET DIMENSIONS AND TOLERANCES PER ANSI Y 14.5 UNLESS OTHERWISE SPECIFIED DIMENSIONS ARE IN INCHES.  
 TOLERANCES: ANGLES = ± .5° .XXX = ± .010  
 .X = ± .1 X = ± 1/16  
 .XX = ± .03 X = ± 1/16  
 DO NOT SCALE DRAWING



CHECKED: R. AVILA	DATE: 10-09-01	DRAWN: R. CRAVEN	DATE: 10/03/01	SCALE: NONE	BOAT MODEL	MOLD NO.
APPD: K. RANIERI	DATE: 10-09-01	DWG. TITLE: Hull Outfit			2700R	
DESIGN: L. SCHOLZ	DATE: 10-09-01				INIT. REL. ECN NO:	DWG. NO:
INT. ENG: M. GATICA	DATE: 01-15-02				010624	06151
						SHT. NO.
						1 of 5

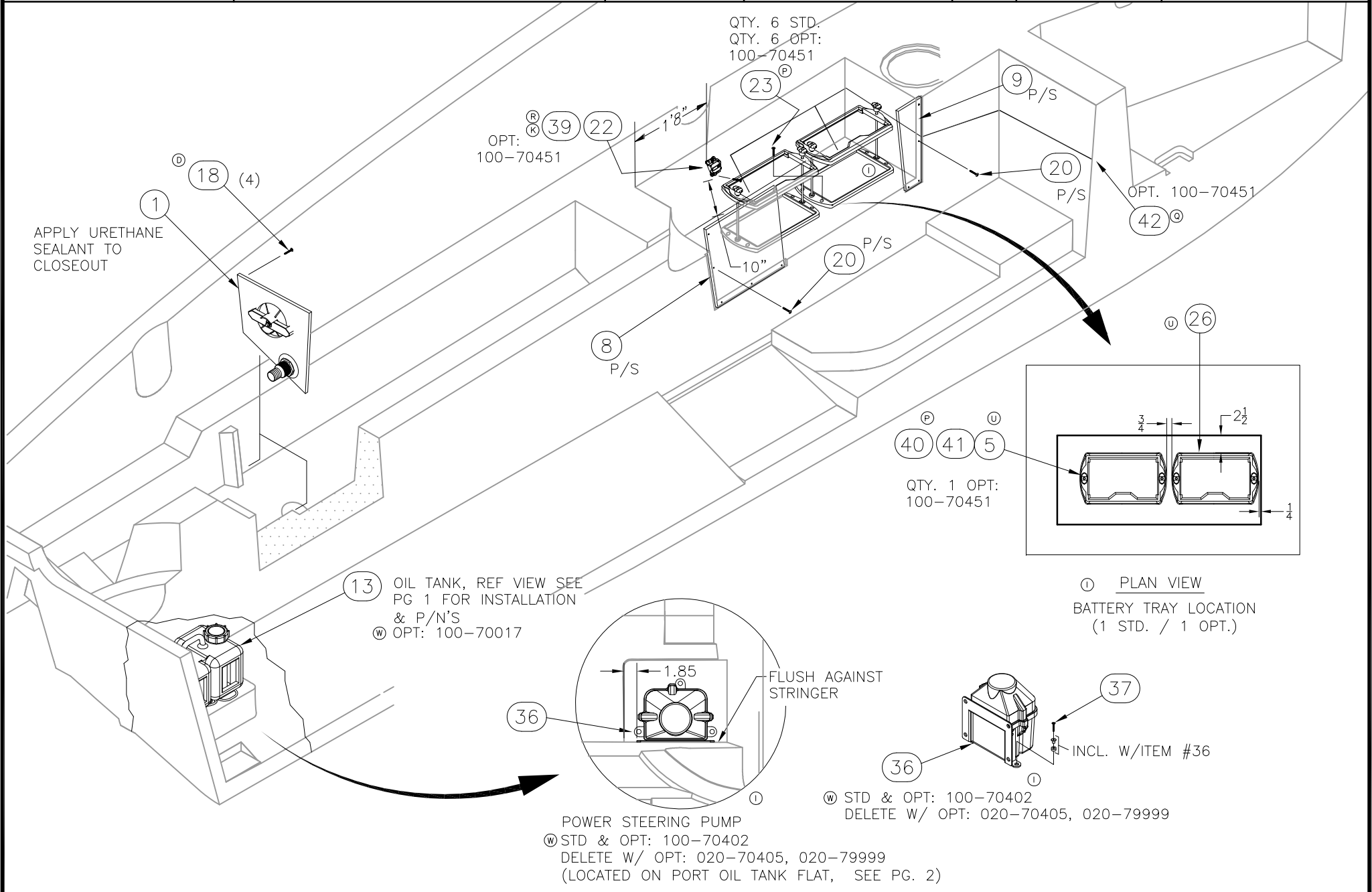


THIS DOCUMENT IS THE PROPERTY OF BOSTON WHALER, INC. MFG. DEPT., EDGEWATER, FLORIDA. ALL RIGHTS ARE RESERVED. THIS DOCUMENT AND INFORMATION CONTAINED MUST NOT BE COPIED OR DISCLOSED TO OTHERS WITHOUT WRITTEN PERMISSION OF BOSTON WHALER, INC.

DWG. NO:  
06151

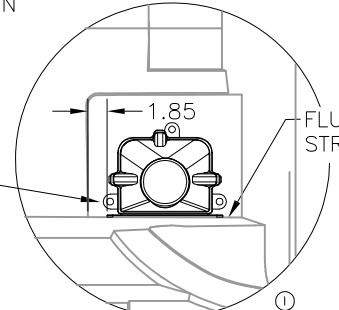
REV.  
W

CURRENT ECD  
07054359

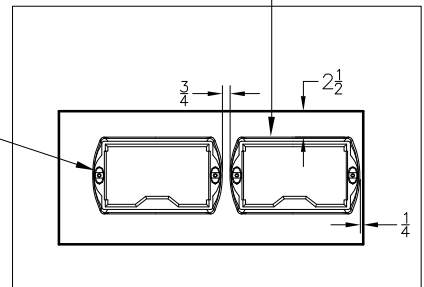


APPLY URETHANE SEALANT TO CLOSEOUT

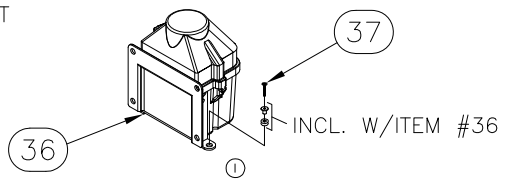
13 OIL TANK, REF VIEW SEE PG 1 FOR INSTALLATION & P/N'S  
W OPT: 100-70017



POWER STEERING PUMP  
W STD & OPT: 100-70402  
DELETE W/ OPT: 020-70405, 020-79999  
(LOCATED ON PORT OIL TANK FLAT, SEE PG. 2)



PLAN VIEW  
BATTERY TRAY LOCATION  
(1 STD. / 1 OPT.)



W STD & OPT: 100-70402  
DELETE W/ OPT: 020-70405, 020-79999



INTERPRET DIMENSIONS AND TOLERANCES PER ANSI Y 14.5 UNLESS OTHERWISE SPECIFIED DIMENSIONS ARE IN INCHES.  
TOLERANCES: ANGLES = ± .5° .XXX = ± .010  
.X = ± .1 .XX = ± .03 X = ± 1/16  
DO NOT SCALE DRAWING

DRAWN: R.CRAVEN DATE: 10/03/01 SCALE: NONE  
DWG. TITLE: Hull Outfit

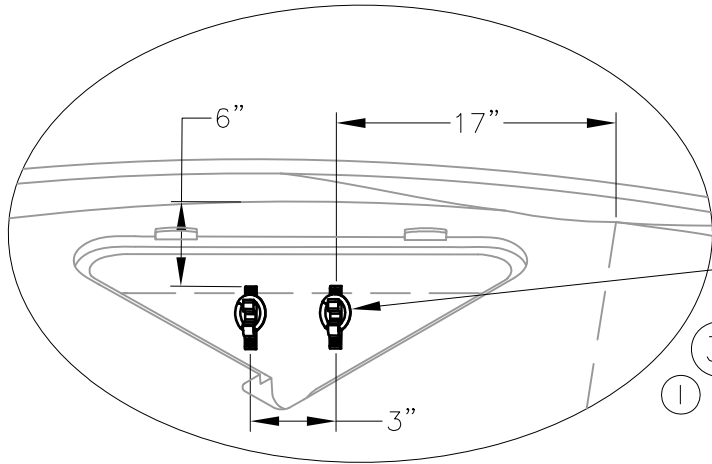
BOAT MODEL 2700R	MOLD NO.
INIT. REL. ECN NO: 010624	DWG. NO: 06151
SHT. NO. 2 of 5	

THIS DOCUMENT IS THE PROPERTY OF BOSTON WHALER, INC. MFG. DEPT., EDGEWATER, FLORIDA. ALL RIGHTS ARE RESERVED. THIS DOCUMENT AND INFORMATION CONTAINED MUST NOT BE COPIED OR DISCLOSED TO OTHERS WITHOUT WRITTEN PERMISSION OF BOSTON WHALER, INC.

DWG. NO:  
06151

REV.  
W

CURRENT ECD  
07054359



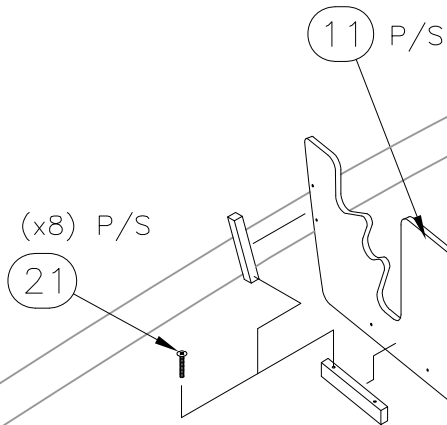
30 31<sup>H/V</sup>  
SEAL FASTENERS WITH POLY-  
ETHELENE SEALANT (SIKAFLEX)  
OPT: 100-70054, WINDLASS

33 STD.  
APPLY W/  
SIKAFLEX

17  
E P/S (x8)

32  
LEAD W/OPT:  
020-70272

APPLY SEALANT  
TO CLOSEOUT



10 PORT  
38 STBD

20  
P/S



INTERPRET DIMENSIONS AND TOLERANCES PER ANSI Y 14.5 UNLESS OTHERWISE SPECIFIED DIMENSIONS ARE IN INCHES.  
TOLERANCES: ANGLES = ± .5° .XXX = ± .010  
.X = ± .1 .XX = ± .03 X/X = ± 1/16  
DO NOT SCALE DRAWING

DRAWN: R.CRAVEN

DATE: 10/03/01

SCALE: NONE

BOAT MODEL

MOLD NO.

DWG. TITLE:

Hull Outfit

2700R

INIT. REL. ECN NO:

DWG. NO:

SHT. NO.

010624

06151

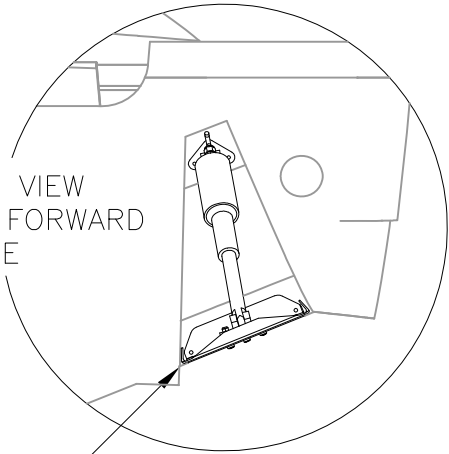
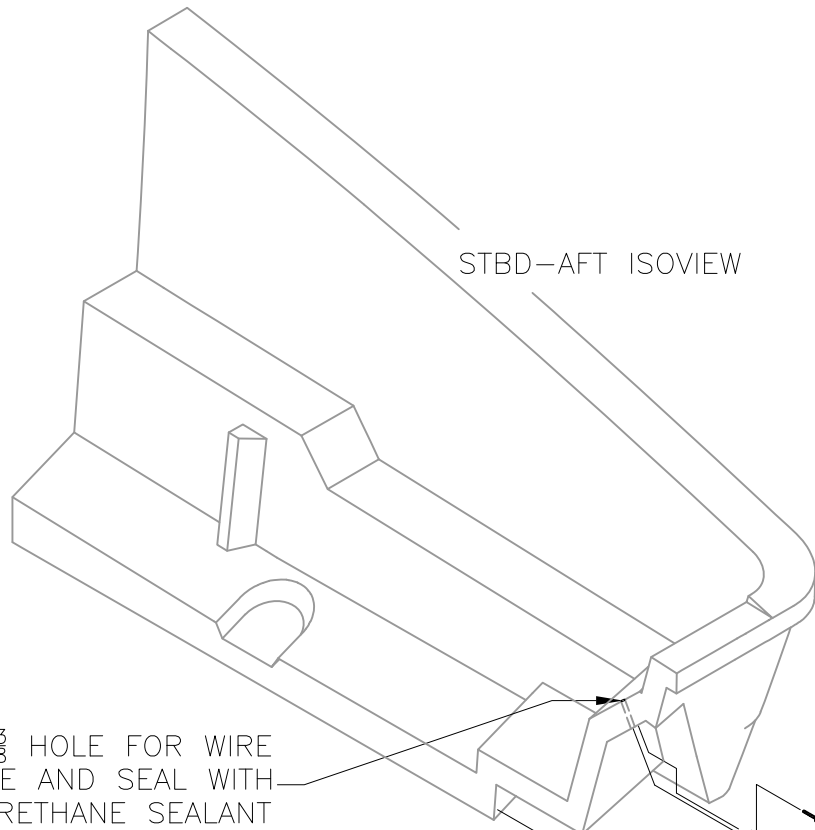
3 of 5

THIS DOCUMENT IS THE PROPERTY OF BOSTON WHALER, INC. MFG. DEPT., EDGEWATER, FLORIDA. ALL RIGHTS ARE RESERVED. THIS DOCUMENT AND INFORMATION CONTAINED MUST NOT BE COPIED OR DISCLOSED TO OTHERS WITHOUT WRITTEN PERMISSION OF BOSTON WHALER, INC.

DWG. NO:  
06151

REV.  
W

CURRENT ECD  
07054359



TRIM TAB TO BE  
FLUSH WITH HULL

DRILL  $\frac{3}{8}$ " HOLE FOR WIRE  
PASSAGE AND SEAL WITH  
URETHANE SEALANT  
AFTER INSTALL'N.

SCREW & NUT  
INCLUDED w/KIT

P/S (x5)

23

23  
P/S (x3)

24  
P/S

FLIP SHIM  
(INCLUDED w/KIT)  
SO RAM FITS  
RECESS IN HULL



INTERPRET DIMENSIONS AND TOLERANCES PER ANSI Y 14.5  
UNLESS OTHERWISE SPECIFIED DIMENSIONS ARE IN INCHES.  
TOLERANCES: ANGLES =  $\pm .5^\circ$  .XXX =  $\pm .010$   
.X =  $\pm .1$  .XX =  $\pm .03$  X =  $\pm 1/16$   
DO NOT SCALE DRAWING

DRAWN: R.CRAVEN DATE: 10/03/01 SCALE: NONE  
DWG. TITLE:  
Hull Outfit

BOAT MODEL  
2700R  
INIT. REL. ECN NO:  
010624

MOLD NO.  
DWG. NO:  
06151

SHT. NO.  
4 of 5

THIS DOCUMENT IS THE PROPERTY OF BOSTON WHALER, INC. MFG. DEPT., EDGEWATER, FLORIDA. ALL RIGHTS ARE RESERVED. THIS DOCUMENT AND INFORMATION CONTAINED MUST NOT BE COPIED OR DISCLOSED TO OTHERS WITHOUT WRITTEN PERMISSION OF BOSTON WHALER, INC.

DWG. NO:  
06151

REV.  
W

CURRENT ECD  
07054359

① Parts List						
ITEM	STD. QTY	OPT. QTY	U/M	DESCRIPTION	B.W.I.	NO.
1	1	-	EA.	FISHWELL CLOSEOUT SUB ASSY (PORT)	09-404	
2	1	-	EA.	FISHWELL CLOSEOUT SUB-ASSY (STBD)	09-404	
3	1	-	EA.	PUMP PANEL SUB-ASSY	09-101	
① 4	2	-	EA.	SHELF, PVC BW2700R-02 BATT	1676857	
① ⑤	-	1	EA.	HOLDER, BATTERY GR24 BLK NYLON W/SS RODS	1809054	
① ⑥	2	2	EA.	BRACKET, BW-97 BATT HOLDDOWN 1.25" CHR/PLT	1042837	
8	2	-	EA.	FILLER, P/B BW2700R-02 CLOSEOUT HEAD AFT	1686264	
9	2	-	EA.	FILLER, P/B BW2700R-02 CLOSEOUT HEAD FWD	1686263	
① ⑩	1	-	EA.	ROD HOLDER, HDPE BW2700R-02 STRG LCKR FWD PRT	1683127	
11	2	-	EA.	ROD HOLDER, HDPE BW2700R-02 STRG LCKR AFT	1683119	
12	1	-	EA.	BULKHD, P/B BW2700R-02 ANCH LCKR	1687528	
① ⑬	-	2	EA.	TANK, OIL VRO w/HDWR w/SEND O/B 3 GAL DIGITAL	1477926	
① ⑭	4	-	EA.	NUT, LOCK #8-32 SC	1009927	
① ⑮	4	-	EA.	WASHER, FLAT #8 SC	1326297	
① ⑯	4	-	EA.	SCREW, MACHINE #8-32 x1.25" POH SC	1214741	
① ⑰	8	-	EA.	SCREW, TAPPING #8A x 1" POH SC	1213065	
① ⑱	8	-	EA.	SCREW, TAPPING #10A X 1.5" POH SC	1008515	
① ⑲	-	-	EA.			
① ⑳	36	-	EA.	SCREW, TAPPING #8A x 1.5" PTH SC	1172642	
21	28	-	EA.	SCREW, TAPPING #10A x 2" PTH SC	1008754	
① ㉒	8	10	EA.	SCREW, TAPPING #14A x 1" PPH SC	1008689	
① ㉓	24	4	EA.	SCREW, TAPPING #14A x 1.5" PPH SC	1008697	
24	1	-	EA.	TRIM TAB, ASSY 12X10 BW2700R-02	1685923	
25	5	-	FT.	TAPE, FOAM NEOPRENE W/3M 9828 3/8"TH X 2"W	1497452	
① ⑲ ㉖	2	-	EA.	HOLDER, BATTERY GR27 BLK NYLON W/SS RODS	1809093	
27	-	1	EA.	CONVERTER, 30AMP 3BNK 110V	1173814	
① ㉘	4	-	EA.	SCREW, TAPPING #10A X 1.5" PTH SC	1008747	
29	-	4	EA.	SCREW, TAPPING #10A X 1" PTH SC	1008739	
① ㉚	-	4	EA.	SCREW, TAPPING #10A X 1" POH SC	1008507	
① ㉛	-	2	EA.	HOLDER, HDPE BW-07 ANCHOR WNDLS HANDLE 700W	1877847	
① ㉜	1	1	EA.	LEAD, BALLAST 100LB BW2700R-05	1777732	
① ㉝	1	-	EA.	COVER, ABS BW2700R-05 LEAD BALLAST	1777733	
① ㉞	6	-	EA.	BOLT, LAG 3/8"X 4" SS HEX HD	1009158	
① ㉟	1	1	EA.	CLEAT, HDPE BW-02 BATTERY BOX WHIT	1618602	
① ㊱	1	1	EA.	STEERING, POWER PACK MERC W/12' LEAD	1772668	
① ㊲	3	3	EA.	SCREW, MACHINE #1/4-20 X 1.25" PFH SC	1213289	
① ㊳	1	-	EA.	ROD HOLDER, HDPE BW2700R-04 STRG LCKR FWD STB	1780318	
① ㊴	-	1	EA.	BREAKER, 135AMP SURFACE MOUNT UL1500	1694399	
① ㊵	2	1	EA.	BOOT, BATTERY TERMINAL 2/0 BLK	1403132	
① ㊶	2	1	EA.	BOOT, BATTERY TERMINAL 2/0 RED	1804185	
① ㊷	-	1	EA.	HARNESS, BW285CQ-06 BATT CHGR 20-25A	1820235	
① ㊸	-	1	EA.	HARNESS, BW285CQ-06 BATT CHGR 5-15A	1820252	
① ㊹	-	1	EA.	AUTO PILOT, NRTHSTR TYPE I PUMP UNIT	1807922	
① ㊺	-	4	EA.	SCREW, MACHINE #1/4-20 X 1.25" PPH SC	1260975	
① ㊻	-	4	EA.	WASHER, FLAT #14" SC	1260769	



INTERPRET DIMENSIONS AND TOLERANCES PER ANSI Y 14.5 UNLESS OTHERWISE SPECIFIED DIMENSIONS ARE IN INCHES.  
 TOLERANCES: ANGLES = ± .5° .XXX = ± .010  
 .X = ± .1 X = ± 1/16  
 .XX = ± .03

DO NOT SCALE DRAWING

DRAWN: R.CRAVEN DATE: 10/03/01 SCALE: NONE  
 DWG. TITLE: Hull Outfit

BOAT MODEL: 2700R MOLD NO.  
 INIT. REL. ECN NO: 010624 DWG. NO: 06151 SHT. NO. 5 of 5

THIS DOCUMENT IS THE PROPERTY OF BOSTON WHALER, INC. MFG. DEPT., EDGEWATER, FLORIDA. ALL RIGHTS ARE RESERVED. THIS DOCUMENT AND INFORMATION CONTAINED MUST NOT BE COPIED OR DISCLOSED TO OTHERS WITHOUT WRITTEN PERMISSION OF BOSTON WHALER, INC.



DWG. NO: 12450  
 REV. C  
 CURRENT ECD 0603123

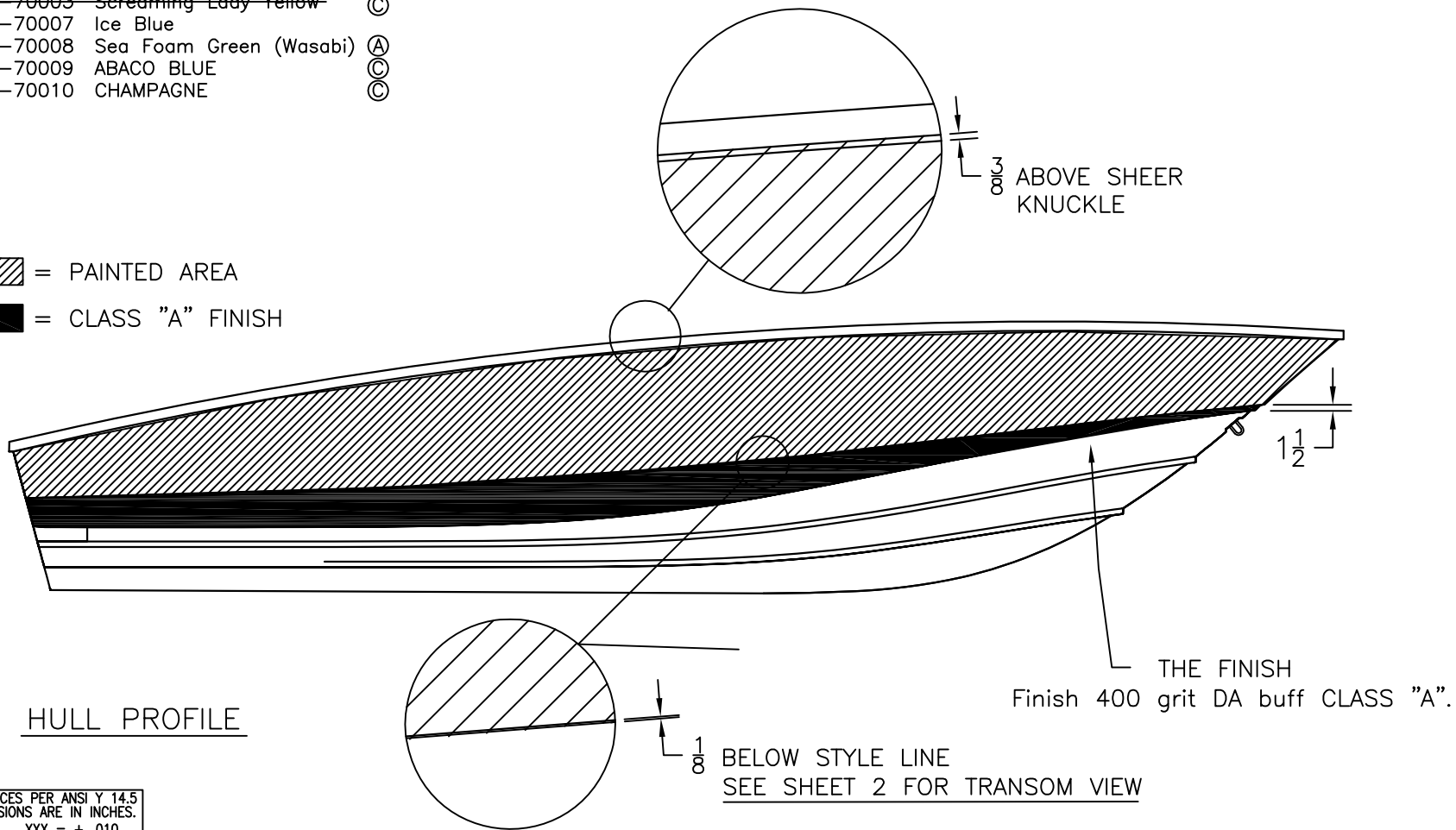
NOTES:

- IF HULL HAS A COLOR OPTION (SEE BELOW OPTION #), INSTALL RUBRAIL, ANCHOR PLATE AND THRU-HULLS AFTER HULL IS PAINTED.
- REFER TO COLOR CHART BELOW FOR PRODUCT COLOR INFORMATION.

REVISIONS					
REV.	DESCR.	BY	DATE	APPVD.	ECN NO.
A	MYE 2005: ADDED WASABI TO OPT # 010-70008	JED	04/20/04	SH	040146
B	MODIFY DRAWING BORDER TO AN ATTRIBUTED BORDER	TS	02/27/06	AVM	060228
C	MY07: DELETE SCREAMING LADY YELLOW, ADD ABACO BLUE & CHAMPAGNE	AT	05/17/06	MG	0603123

Manufacturer	Option#	Color	
Dupont	010-70004	Fighting Lady Yellow	
<del>Dupont</del>	<del>010-70003</del>	<del>Screaming Lady Yellow</del>	©
Dupont	010-70007	Ice Blue	
Dupont	010-70008	Sea Foam Green (Wasabi)	A
Dupont	010-70009	ABACO BLUE	©
Dupont	010-70010	CHAMPAGNE	©

 = PAINTED AREA  
 = CLASS "A" FINISH



INTERPRET DIMENSIONS AND TOLERANCES PER ANSI Y 14.5 UNLESS OTHERWISE SPECIFIED DIMENSIONS ARE IN INCHES.  
 TOLERANCES: ANGLES = ± .5° .XXX = ± .010  
 .X = ± .1 X = ± 1/16  
 .XX = ± .03 X = ± 1/16  
 DO NOT SCALE DRAWING



CHECKED: R.A.	DATE: 09/30/03	DRAWN: S. JERNIGAN	DATE: 09/25/03	SCALE: NONE	BOAT MODEL 2700R	MOLD NO.
APPD: K.R.	DATE: 09/30/03	DWG. TITLE: HULL PAINTING DETAIL			INIT. REL. ECN NO: 010624	DWG. NO: 12450
DESIGN: L.Scholz	DATE: 10/02/03					SHT. NO. 1 of 2
INT. ENG: M. Gatica	DATE: 09/30/03					

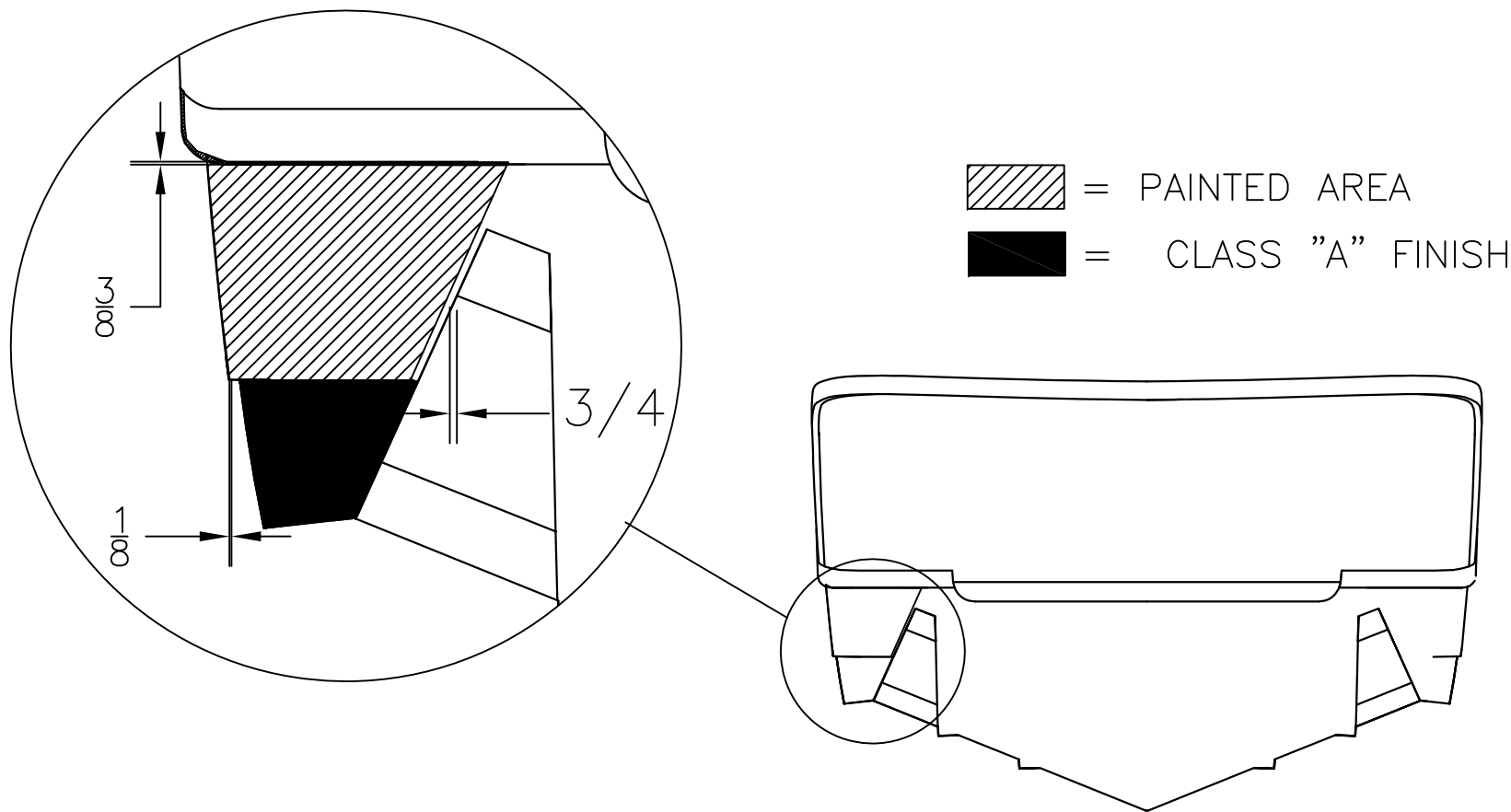
THIS DOCUMENT IS THE PROPERTY OF BOSTON WHALER, INC. MFG. DEPT., EDGEWATER, FLORIDA. ALL RIGHTS ARE RESERVED. THIS DOCUMENT AND INFORMATION CONTAINED MUST NOT BE COPIED OR DISCLOSED TO OTHERS WITHOUT WRITTEN PERMISSION OF BOSTON WHALER, INC.

DWG. NO:  
12450

REV.  
C

CURRENT ECD  
0603123

NOTES:



TRANSOM VIEW



INTERPRET DIMENSIONS AND TOLERANCES PER ANSI Y 14.5 UNLESS OTHERWISE SPECIFIED DIMENSIONS ARE IN INCHES.  
 TOLERANCES: ANGLES = ± .5° .XXX = ± .010  
 .X = ± .1 .XX = ± .03 X/X = ± 1/16  
 DO NOT SCALE DRAWING

DRAWN: S. JERNIGAN DATE: 09/25/03 SCALE: NONE

DWG. TITLE:  
HULL PAINTING DETAIL

BOAT MODEL  
2700R

MOLD NO.

INIT. REL. ECN NO:  
010624

DWG. NO:  
12450

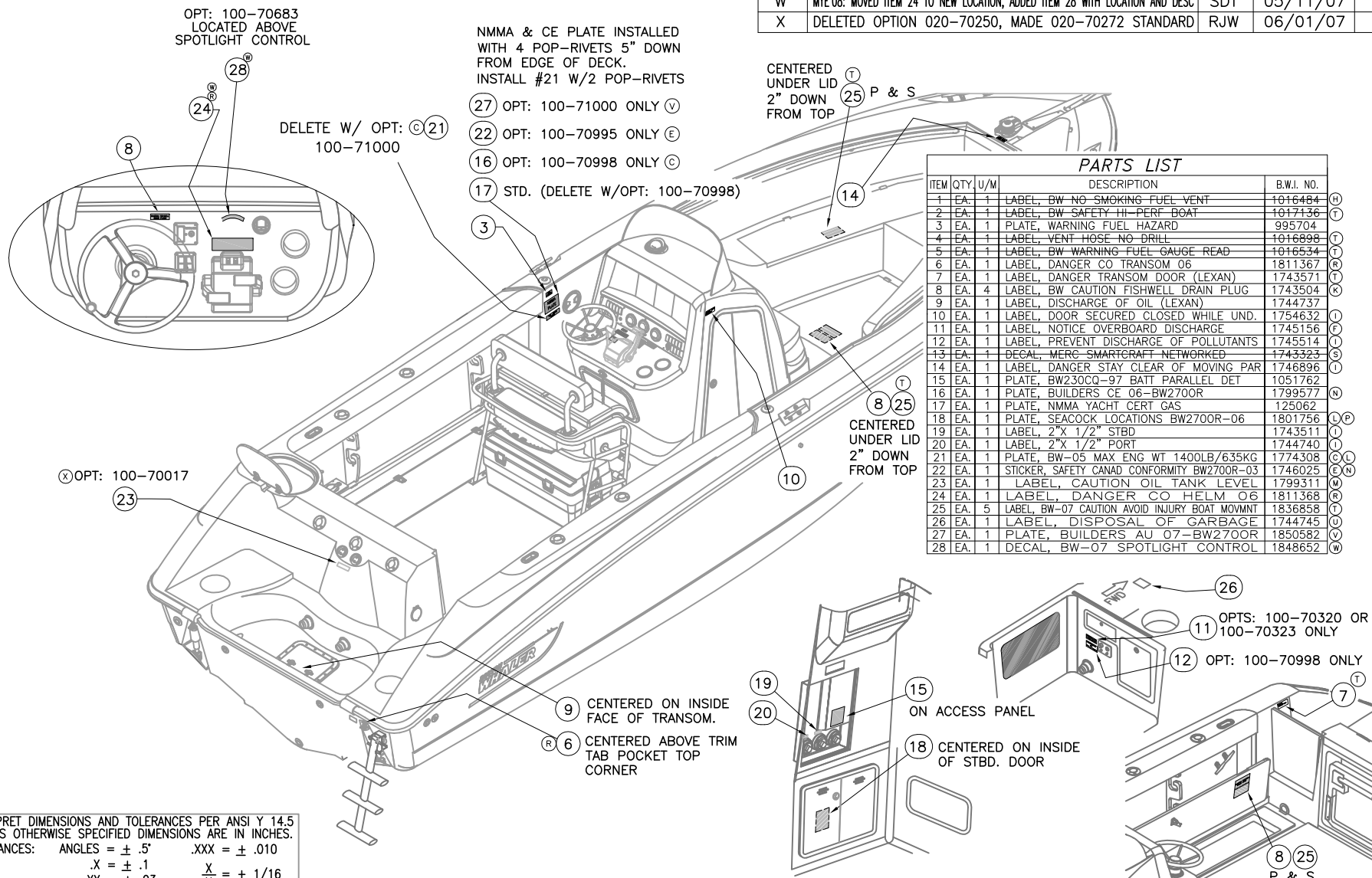
SHT. NO.  
2 OF 2

THIS DOCUMENT IS THE PROPERTY OF BOSTON WHALER, INC. MFG. DEPT., EDGEWATER, FLORIDA. ALL RIGHTS ARE RESERVED. THIS DOCUMENT AND INFORMATION CONTAINED MUST NOT BE COPIED OR DISCLOSED TO OTHERS WITHOUT WRITTEN PERMISSION OF BOSTON WHALER, INC.

DWG. NO: 12101 REV. X CURRENT ECD 07054359

REVISIONS					
REV.	DESCR.	BY	DATE	APPVD.	ECN NO.
T	DELETED ITEMS 2, 4 & 5, ADDED ITEM # 25, CHANGED PN# & DESCR. # 7	SLJ	05/22/06	AVM	060242
U	ADD LABEL, DISPOSAL OF GARBAGE ITEM #26	DJW	08/11/06	RA	0608063
V	ADDED ITEM #27 AND OPT 100-71000 NOTE.	SL	08/28/06	AVM	060671
W	MYE'08: MOVED ITEM 24 TO NEW LOCATION, ADDED ITEM 28 WITH LOCATION AND DESC	SDT	05/11/07	RA	07044270
X	DELETED OPTION 020-70250, MADE 020-70272 STANDARD	RJW	06/01/07	RA	07054359

1. CLEAN DECAL AREA USING DENATURED ALCOHOL PRIOR TO APPLICATION.



INTERPRET DIMENSIONS AND TOLERANCES PER ANSI Y 14.5 UNLESS OTHERWISE SPECIFIED DIMENSIONS ARE IN INCHES. TOLERANCES: ANGLES = ± .5° .XXX = ± .010 .X = ± .1 .XX = ± .03 X = ± 1/16 DO NOT SCALE DRAWING



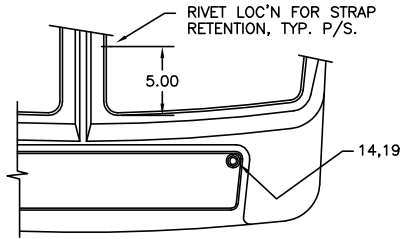
CHECKED: R. DURHAM	DATE: 12/5/01	DRAWN: H. READ	DATE: 11/30/01	SCALE: NONE	BOAT MODEL	MOLD NO.
APPD: E. SKAGGS	DATE: 12/5/01	DWG. TITLE:			2700R	
DESIGN: L. SCHOLZ	DATE: 12/7/01	Label Locations			INIT. REL. ECN NO:	DWG. NO:
INT. ENG: M. GATICA	DATE: 1/17/02				010624	12101
						SHT. NO.
						1 OF 1

THIS DOCUMENT IS THE PROPERTY OF BOSTON WHALER, INC. MFG. DEPT., EDGEWATER, FLORIDA. ALL RIGHTS ARE RESERVED. THIS DOCUMENT AND INFORMATION CONTAINED MUST NOT BE COPIED OR DISCLOSED TO OTHERS WITHOUT WRITTEN PERMISSION OF BOSTON WHALER, INC.

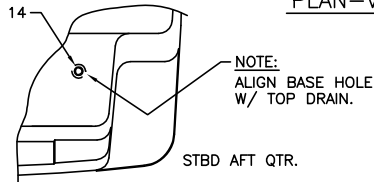
DWG. NO: 09405  
 REV. F  
 CURRENT ECD 0604144

NOTES:

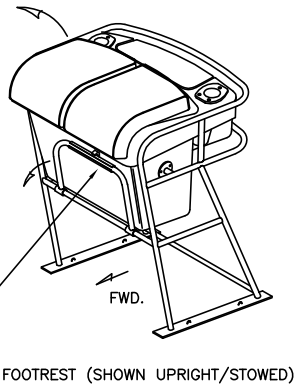
REVISIONS					
REV.	DESCR.	BY	DATE	APPVD.	ECN NO.
A	Changed Numbering System/Apply Att.Border.	AVM	04/14/03	ZAC	030318
B	ADDED COOLER BRACE TO LEANING POST FRAME, SHEET 1.	SL	02/05/04	ZAC	031206
C	ITEM #09 P/N 1799571 WAS 1591643.	SL	07/26/05	ME	050247
D	CHANGED PN & DESCR. ITEM 6,7 & 8	CSR	09/26/05	ME	040645
E	MODIFY DRAWING BORDER TO AN ATTRIBUTED BORDER	TS	02/27/06	AVM	060228
F	#12 WAS '007764	SWH	06/08/06	AVM	0604144



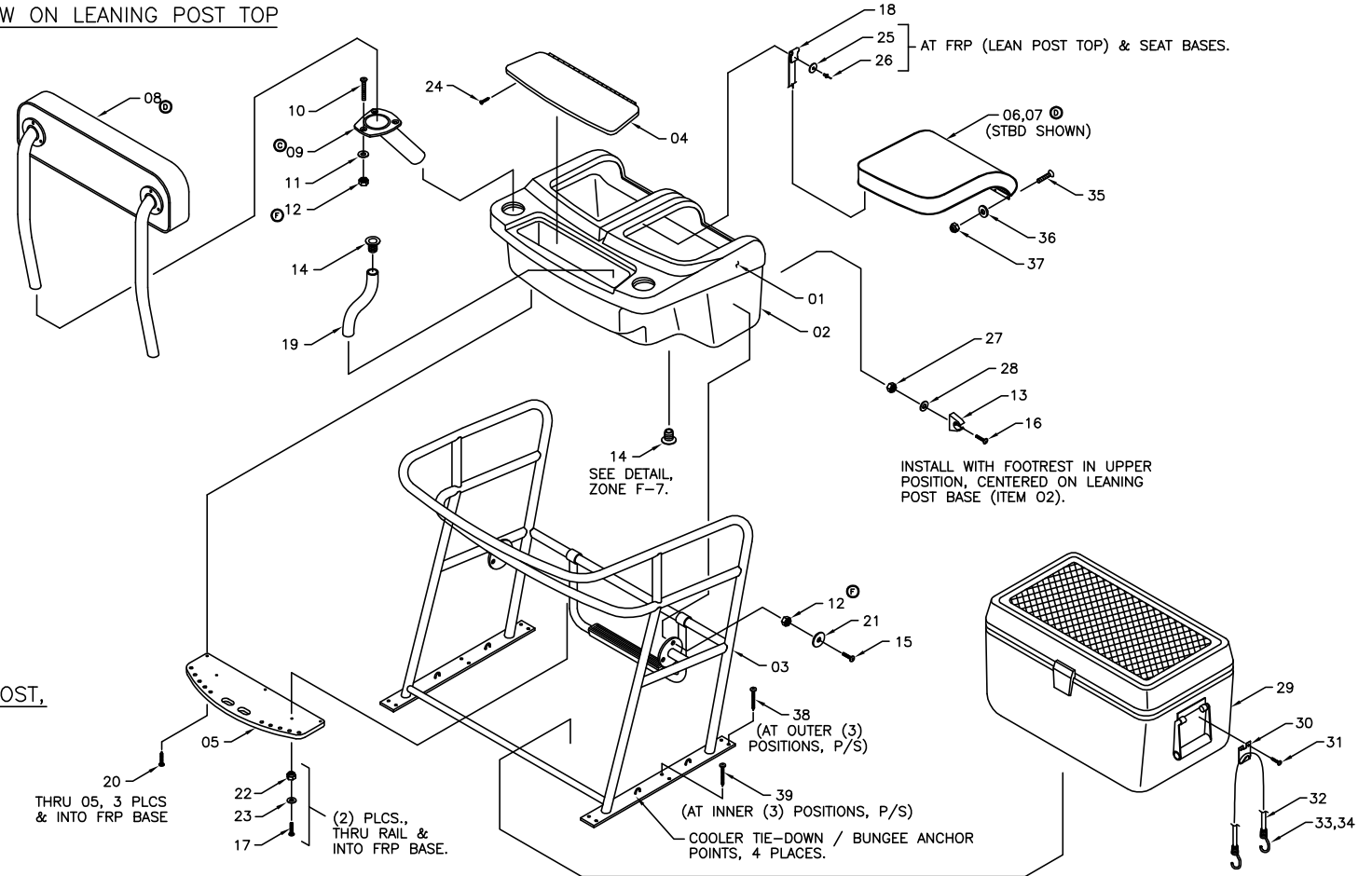
PLAN-VIEW ON LEANING POST TOP



PLAN-VIEW ON LEANING POST BASE.



VIEW ON ASSEMBLED LEANING POST, LOOKING STBD AFT



INTERPRET DIMENSIONS AND TOLERANCES PER ANSI Y 14.5 UNLESS OTHERWISE SPECIFIED DIMENSIONS ARE IN INCHES.  
 TOLERANCES: ANGLES = ± .5°    .XXX = ± .010  
 .X = ± .1    X = ± 1/16  
 .XX = ± .03    X

DO NOT SCALE DRAWING



CHECKED: R. AVILA	DATE: 10/8/01	DRAWN: R DURHAM	DATE: 10/01/01	SCALE: NONE	BOAT MODEL 2700R	MOLD NO.
APPD: K. RANIERI	DATE: 10/8/01	DWG. TITLE: LEANING POST COOLER			INIT. REL. ECN NO: 010624	DWG. NO: 09405
DESIGN: L. SCHOLZ	DATE: 10/8/01					SHT. NO. 1 of 2
INT. ENG: M. GATICA	DATE: 1/17/02					



THIS DOCUMENT IS THE PROPERTY OF BOSTON WHALER, INC. MFG. DEPT., EDGEWATER, FLORIDA. ALL RIGHTS ARE RESERVED. THIS DOCUMENT AND INFORMATION CONTAINED MUST NOT BE COPIED OR DISCLOSED TO OTHERS WITHOUT WRITTEN PERMISSION OF BOSTON WHALER, INC.

DWG. NO:  
09405

REV.  
F

CURRENT ECD  
0604144

NOTES:

BILL OF MATERIAL				
ITEM	QTY.	U/M	DESCRIPTION	B.W.I. NO.
01	1	EA	LEANING POST TOP	22J63500
02	1	EA	LEANING POST BOTTOM	22J99600
03	1	EA	FRAME, LEAN POST GRAB RAIL	1062876
04	1	EA	LID, HDPE LEAN POST SEAFOAM	1062728
05	1	EA	HOLDER, HDPE LEADER/TOOL	1062702
⓪	06	1	EA CUSH, BW2400R/2700R-05 LEAN POST STBD	1781829
⓪	07	1	EA CUSH, BW2400R/2700R-05 LEAN POST PORT	1781828
⓪	08	1	EA CUSH, BW2400R/2700R-05 B/R W/HDWR	1781825
⓪	09	2	EA ROD HOLDER, FLUSH MNT SS W/BW-05 LOGO	1799571
	10	6	EA SCREW, MACHINE #1/4-20 X 1.5" POH SC	1010438
	11	6	EA WASHER, FLAT #1/4" SC	1260769
⓪	12	12	EA NUT, LOCK #1/4-20 SC STD PATT	1009786
	13	1	EA CLIP, LADDER WHITE	1091578
	14	2	EA DRAIN SLEEVE, FLUSH IMPACT 5/8" W/BARB	0518878
	15	6	EA SCREW, MACHINE 1/4-20 x 1" PPH SC	1008580
	16	1	EA SCREW, MACHINE #6-32 x 1" PPH SC	1008671
	17	2	EA SCREW, MACHINE #8-32 x 1.50 PTH SC	1010719
	18	3	FT WEBBING, BW-97 STRAP NYLON 1"	1030105
	19	.5	FT HOSE, SANI/CHEMICAL TDX 5/8"	0896605
	20	3	EA SCREW, TAPPING #10A x 1" PTH SC	1008739
	21	6	EA WASHER, FENDER 1/4" x 1.25" SC	1260678
	22	2	EA NUT, LOCK 8-32 SC	1009927
	23	2	EA WASHER, FLAT #8 SC	1326297
	24	12	EA SCREW, TAPPING #6A x 1/2" PFH SC	1010362
	25	4	EA WASHER, FENDER 13/64" X 1" SC	1684806
	26	4	EA RIVET, POP/BLIND 3/16" x 5/8" ALUM.	0189415
	27	1	EA NUT, LOCK #6-32 SC	1009810
	28	1	EA WASHER, FLAT #6 SC	1326222
	29	1	EA COOLER, 94QT. WHITE	1016435
	30	2	EA HOOK, PLAS COOLER 1/8" WHT.	1043181
	31	4	EA SCREW, TAPPING #8A x 5/8" PTH SC	1010925
	32	8	FT CORD, SHOCK/BUNGEE 3/8" BULK BLK	1039528
	33	8	EA CORD, SHOCK BUNGEE CLAMP 3/8" DIA.	1020023
	34	4	EA CORD, SHOCK BUNGEE 3/8" SPRING	1020056
	35	12	EA SCREW, MACHINE #10-24 x 7/8" PFH SC	1684807
	36	12	EA WASHER, FLAT #10 SC	1260751
	37	12	EA NUT, HEX NYLON LOCK #10-24 SC	1007772
	38	6	EA SCREW, TAPPING #14A x 3" PPH SC	1010628
	39	6	EA SCREW, TAPPING #14A x 1.5" PPH SC	1008598



INTERPRET DIMENSIONS AND TOLERANCES PER ANSI Y 14.5 UNLESS OTHERWISE SPECIFIED DIMENSIONS ARE IN INCHES.  
 TOLERANCES: ANGLES = ± .5° .XXX = ± .010  
 .X = ± .1 X = ± 1/16  
 .XX = ± .03 X = ± 1/16  
 DO NOT SCALE DRAWING

DRAWN: R DURHAM DATE: 10/01/01 SCALE: NONE  
 DWG. TITLE: LEANING POST COOLER

BOAT MODEL: 2700R  
 INIT. REL. ECN NO: 010624

MOLD NO.  
 DWG. NO: 09405

SHT. NO. 2 OF 2

THIS DOCUMENT IS THE PROPERTY OF BOSTON WHALER, INC. MFG. DEPT., EDGEWATER, FLORIDA. ALL RIGHTS ARE RESERVED. THIS DOCUMENT AND INFORMATION CONTAINED MUST NOT BE COPIED OR DISCLOSED TO OTHERS WITHOUT WRITTEN PERMISSION OF BOSTON WHALER, INC.

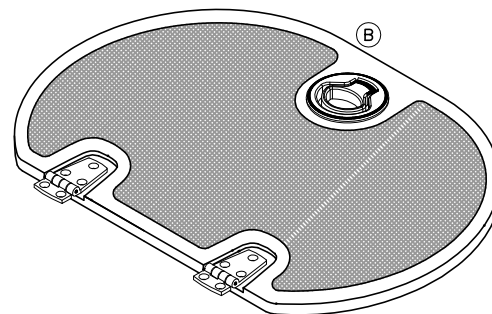
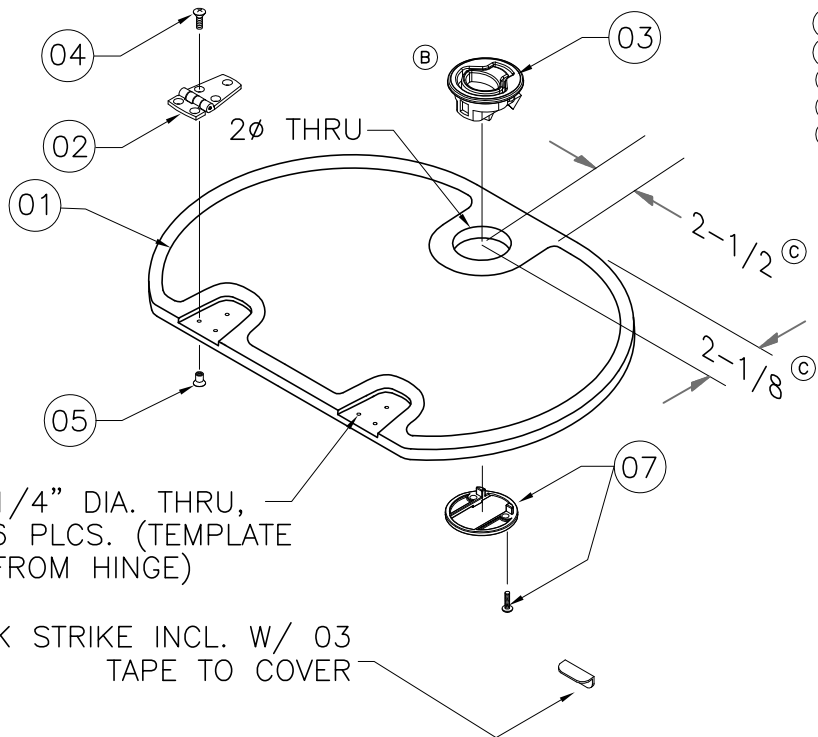
DWG. NO: 09416	REV. C	CURRENT ECD 050919
-------------------	-----------	-----------------------

REVISIONS					
REV.	DESCR.	BY	DATE	APPVD.	ECN NO.
A	Changed Numbering System/Apply Att.Border.	AVM	04/14/03	ZAC	03-03-18
B	UPDATED SLAM LATCH,#3 WAS 1411453; DELETED #6	JM	07/26/04	ZAC	060529
C	ADDED DIM'S FOR LATCH LOCATION	SL	09/20/05	ME	050919

- PART SHALL BE TRIMMED IN ACCORDANCE W/ DWG. 22-K079-00.
- PREPARE PART AS SHOWN PRIOR TO COMPONENT INSTALLATION.
- APPLY & SMOOTH WHITE SILICONE AT BBL NUT HEADS AFTER INSTALL'N.

## PARTS LIST

ITEM	U/M		DESCRIPTION	MRP NO.
01	1	EA.	FIBERGLASS PART, LIVEWELL COVER	22-K079-00
02	2	EA.	HINGE, DOOR SS 1.5"X 3" THINLINE	1617323
(B) 03	1	EA.	LATCH, FLUSH MNT N/LOCKING SLAM SS	1781434
04	6	EA.	SCREW, MACHINE #10-24 X 1/2" POH SC	1008432
05	6	EA.	NUT, BBL #10-24 X 1/4" FH	1689417
(B) 06	2	EA.	SCREW, MACHINE #8-32 X 1/2" PTH SC	0972786
(B) 07	1	EA.	PLATE, FLAT BRKT 2"SHORT SCREW W/HDWR PKG	1781436
(D) 08	1	EA.	STRAP, TAMER 13.5" DECK MNT	1815428
(D) 09	1	EA.	NUT, BBL #10-24 X 1/2" TH	1040203
(D) 10	1	EA.	SCREW, MACHINE #10-24 X 3/8"PTH SC	1803254



ASSEMBLED VIEW

INTERPRET DIMENSIONS AND TOLERANCES PER ANSI Y 14.5 UNLESS OTHERWISE SPECIFIED DIMENSIONS ARE IN INCHES.  
TOLERANCES: ANGLES = ± .5° .XXX = ± .010  
.X = ± .1 .XX = ± .03 X = ± 1/16  
DO NOT SCALE DRAWING



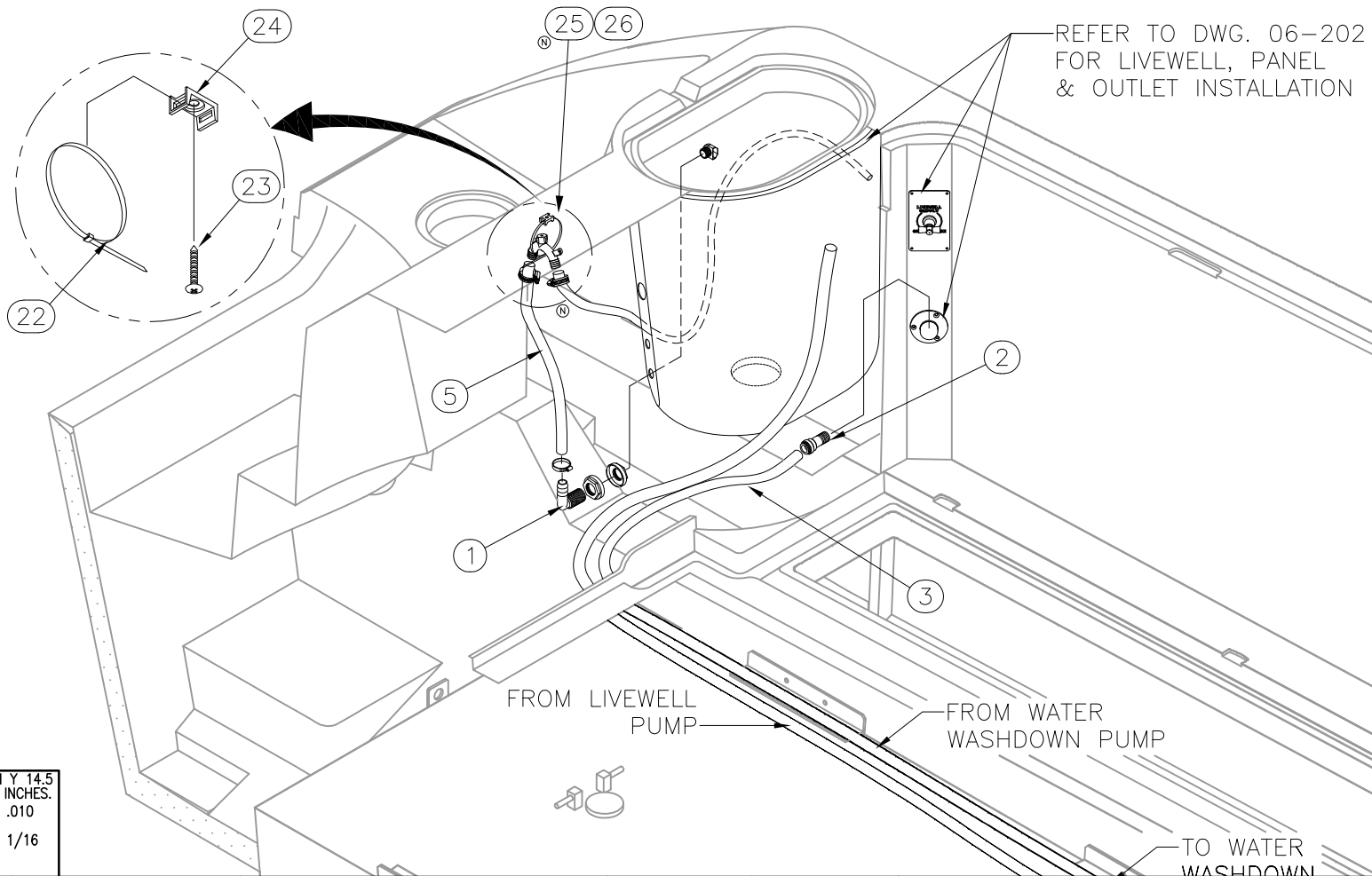
CHECKED: R. AVILA	DATE: 02/04/02	DRAWN: RDURHAM	DATE: 012402	SCALE: NONE	BOAT MODEL	MOLD NO.
APPD: K. RANIERI	DATE: 02/04/02	DWG. TITLE:			2700R	
DESIGN: L. SCHOLZ	DATE: 02/04/02	LIVEWELL LID SUB ASSY			INIT. REL. ECN NO:	DWG. NO:
INT. ENG: M. GATICA	DATE: 02/13/02				010624	09416
					SHT. NO.	1 of 1

THIS DOCUMENT IS THE PROPERTY OF BOSTON WHALER, INC. MFG. DEPT., EDGEWATER, FLORIDA. ALL RIGHTS ARE RESERVED. THIS DOCUMENT AND INFORMATION CONTAINED MUST NOT BE COPIED OR DISCLOSED TO OTHERS WITHOUT WRITTEN PERMISSION OF BOSTON WHALER, INC.

DWG. NO: 06103  
 REV. S  
 CURRENT ECD 060879

1. ALL THRU-HULL FTGS. SHALL BE SEALED UNDER THE FLANGE USING WHITE MARINE ADHESIVE (SIKA-FLEX) SEALANT.
2. REFER TO DWG. 01-251 (CUT LIST) FOR HOSE LENGTHS.

REVISIONS					
REV.	DESCR.	BY	DATE	APPVD.	ECN NO.
K	Changed Numbering System/Apply Att.Border.	AVM	06/23/03	ZAC	03-03-16
L	CHANGED PN # & DESCRIPTION ITEMS 2 & 3 SHEET 4	SLJ	07/28/03	ZAC	03-07-08
M	ADAPTER ITEM #12 P/N 1756192 WAS 0168575, SHEETS 2 & 4.	SL	8/13/03	ZAC	02-09-48
N	MYE 2005: ADDED #25 & 26 TO SHT. #1, ITEM #10 WAS 1738191, ITEM #4 STD. QTY. WAS 4, MOVED THRU HULL LOCATION ON SHT. #2	JED	4/22/04	SH	04-01-46
O	ADDED NEW WATER PUMP VIEW SHEET 2	SLJ	04/05/05	ME	05-03-19
P	ADDED THRU HULL AND REVISED HOSE ROUTE DETAIL, SHEET 3 & 4.	SL	08/22/05	ME	04-10-03
Q	MODIFY DRAWING BORDER TO AN ATTRIBUTED BORDER	JC	02/08/06	ME	060137
R	CHANGED PN# & DESCRIPTION FOR ITEM# 3, SHEET 4	JC	02/08/06	ME	060137
S	CHANGED PN# & DESCRIPTION FOR ITEM# 19, SHEET 4.	JC	08/14/06	DJW	060879



INTERPRET DIMENSIONS AND TOLERANCES PER ANSI Y 14.5 UNLESS OTHERWISE SPECIFIED DIMENSIONS ARE IN INCHES.  
 TOLERANCES: ANGLES = ± .5' .XXX = ± .010  
 .X = ± .1 .XX = ± .03 X/X = ± 1/16  
 DO NOT SCALE DRAWING



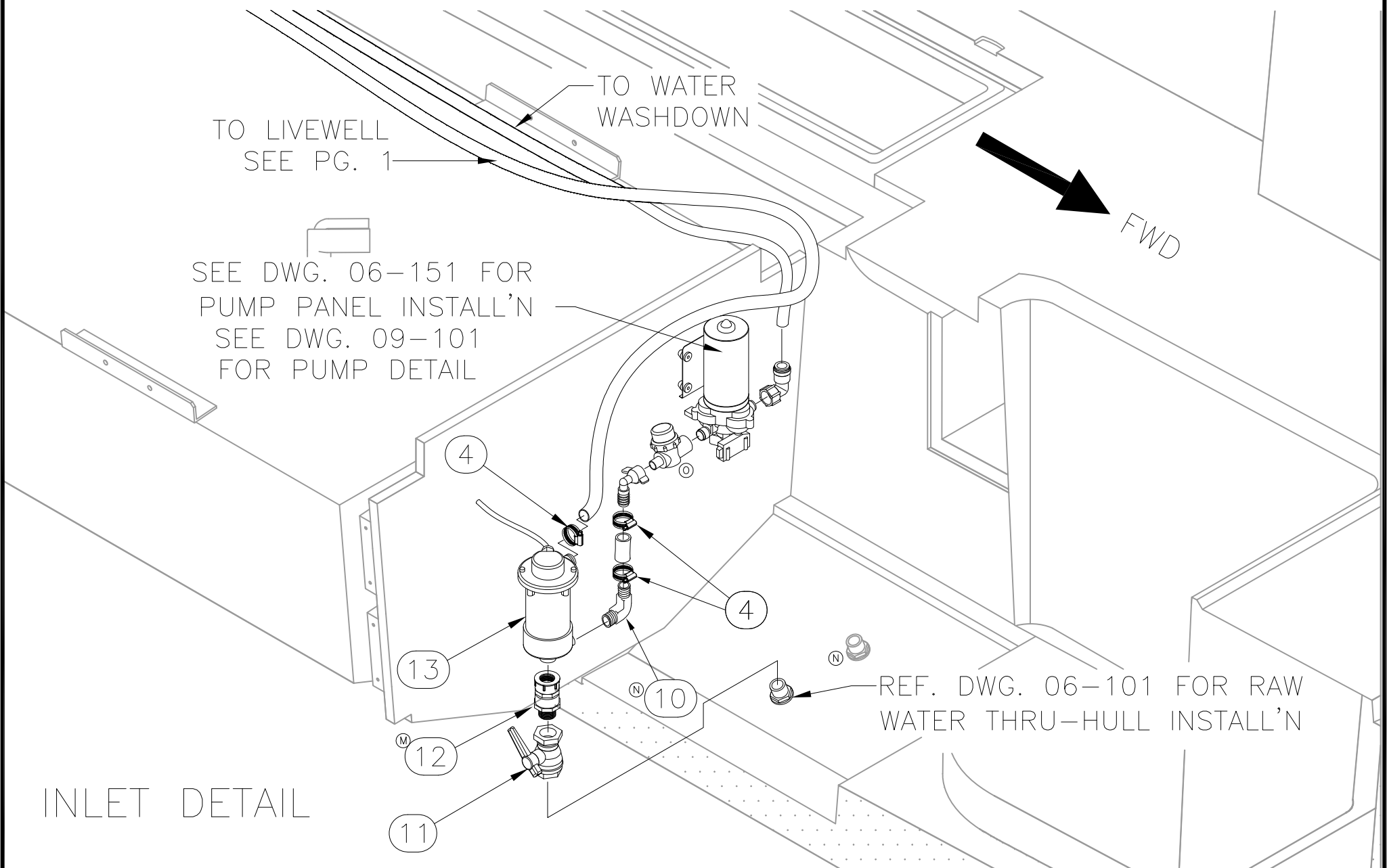
CHECKED: R. AVILA	DATE: 10/22/01	DRAWN: RCRAVEN	DATE: 10/18/01	SCALE: NONE	BOAT MODEL 2700R	MOLD NO.
APPD: K. RANIERI	DATE: 10/22/01	DWG. TITLE: LIVEWELL RAW WATER SYSTEM			INIT. REL. ECN NO: 010624	DWG. NO: 06103
DESIGN: L. SCHOLZ	DATE: 10/22/01					SHT. NO. 1 of 4
INT. ENG: M. GATICA	DATE: 01/15/02					

THIS DOCUMENT IS THE PROPERTY OF BOSTON WHALER, INC. MFG. DEPT., EDGEWATER, FLORIDA. ALL RIGHTS ARE RESERVED. THIS DOCUMENT AND INFORMATION CONTAINED MUST NOT BE COPIED OR DISCLOSED TO OTHERS WITHOUT WRITTEN PERMISSION OF BOSTON WHALER, INC.

DWG. NO:  
06103

REV.  
S

CURRENT ECD  
060879



INLET DETAIL



INTERPRET DIMENSIONS AND TOLERANCES PER ANSI Y 14.5 UNLESS OTHERWISE SPECIFIED DIMENSIONS ARE IN INCHES.  
 TOLERANCES: ANGLES = ± .5° .XXX = ± .010  
 .X = ± .1 X = ± 1/16  
 .XX = ± .03  
 DO NOT SCALE DRAWING

DRAWN: RCRAVEN DATE: 10/18/01 SCALE: NONE  
 DWG. TITLE: LIVEWELL RAW WATER SYSTEM

BOAT MODEL  
2700R  
INIT. REL. ECN NO:  
010624

MOLD NO.  
DWG. NO:  
06103

SHT. NO.  
2 OF 4

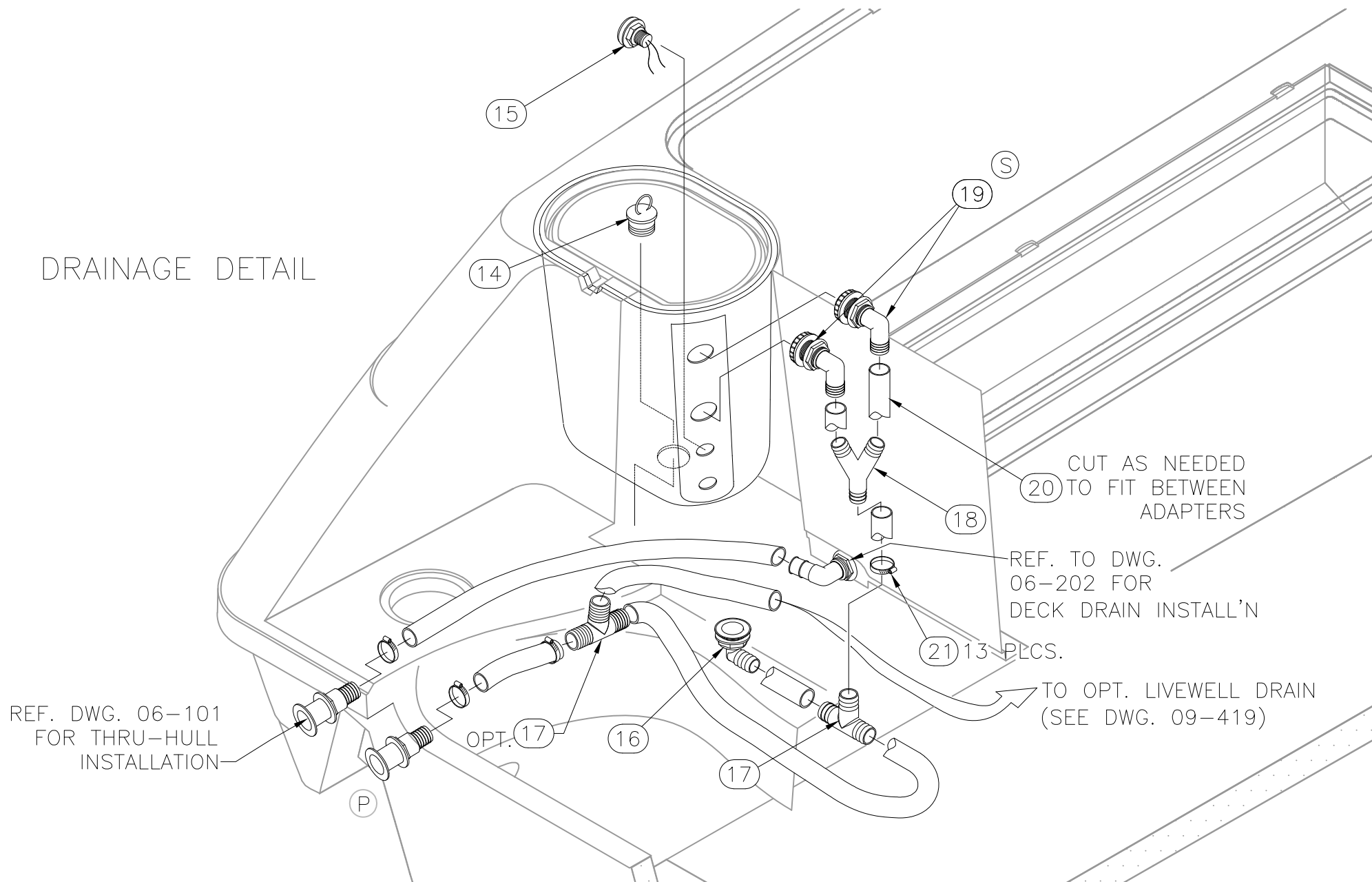
THIS DOCUMENT IS THE PROPERTY OF BOSTON WHALER, INC. MFG. DEPT., EDGEWATER, FLORIDA. ALL RIGHTS ARE RESERVED. THIS DOCUMENT AND INFORMATION CONTAINED MUST NOT BE COPIED OR DISCLOSED TO OTHERS WITHOUT WRITTEN PERMISSION OF BOSTON WHALER, INC.

DWG. NO:  
06103

REV.  
S

CURRENT ECD  
060879

DRAINAGE DETAIL



INTERPRET DIMENSIONS AND TOLERANCES PER ANSI Y 14.5 UNLESS OTHERWISE SPECIFIED DIMENSIONS ARE IN INCHES.  
 TOLERANCES: ANGLES = ± .5° .XXX = ± .010  
 .X = ± .1 X = ± 1/16  
 .XX = ± .03  
 DO NOT SCALE DRAWING

DRAWN: RCRAVEN DATE: 10/18/01 SCALE: NONE  
 DWG. TITLE: LIVEWELL RAW WATER SYSTEM

BOAT MODEL: 2700R  
 INIT. REL. ECN NO: 010624

MOLD NO.  
 DWG. NO: 06103

SHT. NO. 3 OF 4

THIS DOCUMENT IS THE PROPERTY OF BOSTON WHALER, INC. MFG. DEPT., EDGEWATER, FLORIDA. ALL RIGHTS ARE RESERVED. THIS DOCUMENT AND INFORMATION CONTAINED MUST NOT BE COPIED OR DISCLOSED TO OTHERS WITHOUT WRITTEN PERMISSION OF BOSTON WHALER, INC.

DWG. NO:  
06103

REV.  
S

CURRENT ECD  
060879

Parts List

ITEM	QTY		U/M	DESCRIPTION	B.W.I.	NO.
	STD	OPT				
	1		EA.	DRAIN, BAITWELL 3/4" ELBOW w/HD WHT	1688420	
(L)	2		EA.	ADAPTER, SEATECH STRAIGHT 1/2"MPT-15MM	1542919	
(R)(L)	3	0	FT.	TUBING, SEATECH 15MM X 11M GREEN	1758297	
(N)	4	6	EA.	CLAMP, HOSE #10 1/2"-1 1/8" SS .505	0263954	
	5	0	FT.	HOSE, GEN PURPOSE 3/4"	0123810	
(G)	6	1	EA.	ADAPTER, WHALE 1/2"F-15MM BRASS	1137041	
(G)	7	1	EA.	ELBOW, ACETAL 1/2"MPT X 1/2"FPT X 90DEG	0172551	
(G)	8	1	EA.			
(G)	9	1	EA.	ELBOW, PVC 1/2"FPT SWIVEL X 3/4"BARB X 90DEG	0626101	
(N)(F)	10	1	EA.	ELBOW, NYLON 1/2"MPT X 3/4"BARB X 90DEG	1324573	
	11	1	EA.	VALVE, MARELON BALL 2-WAY 3/4"	0557959	
(M)	12	1	EA.	ADAPTER, NYLON 3/4"MPT X 3/4"FPT BLK	1756192	
	13	1	EA.	PUMP, LIVEWELL 12V BAIT SENTRY 800GPH	1118751	
	14	2	EA.	PLUG, DRAIN 1 1/2" BLK	0907279	
	15	1	EA.	LIGHT, COURTESY WATERPROOF FRONT MNT W/NUT	1078625	
(P)(I)	16	1	EA.	THRU-HULL, PLAS 1 1/2" TUBE X 90DEG WHT	0791673	
(P)(I)	17	1	1	TEE, PVC 1.5"BARB X 1.5"BARB X 1.5"BARB BLK	1747281	
	18	1	EA.	COUPLING, PLAS Y 1.5" BLK	1747278	
(S)	19	2	EA.	DRAIN, 1.5" 90DEG BARB W/SCRN	1792726	
(H)	20	0	FT.	HOSE, SANI/SMOOTH WALL 1.5"	1746048	
(P)(C)	21	14	3	CLAMP, HOSE #24 1"-2" SS .505	0256693	
(C)	22	1	EA.	TIE, CABLE 6" LG NYLON BLK	0999672	
(D)(C)	23	1	EA.	SCREW, TAPPING #4A x 1" PFH SC	1010321	
(D)(C)	24	1	EA.	TIE, CLIP BLK	1031764	
(N)	25	1	EA.	BAITWELL SYSTEM, VENTED LOOP 3/4"	1703861	
(N)	26	6	EA.	COVER, CLAMP END PROT 1/2"L X .045"X .465"RED	0830968	



INTERPRET DIMENSIONS AND TOLERANCES PER ANSI Y 14.5 UNLESS OTHERWISE SPECIFIED DIMENSIONS ARE IN INCHES.  
 TOLERANCES: ANGLES = ± .5° .XXX = ± .010  
 .X = ± .1 X = ± 1/16  
 .XX = ± .03  
 DO NOT SCALE DRAWING

DRAWN: RCRAVEN DATE: 10/18/01 SCALE: NONE  
 DWG. TITLE: LIVEWELL RAW WATER SYSTEM

BOAT MODEL: 2700R  
 INIT. REL. ECN NO: 010624

MOLD NO.  
 DWG. NO: 06103

SHT. NO. 4 OF 4

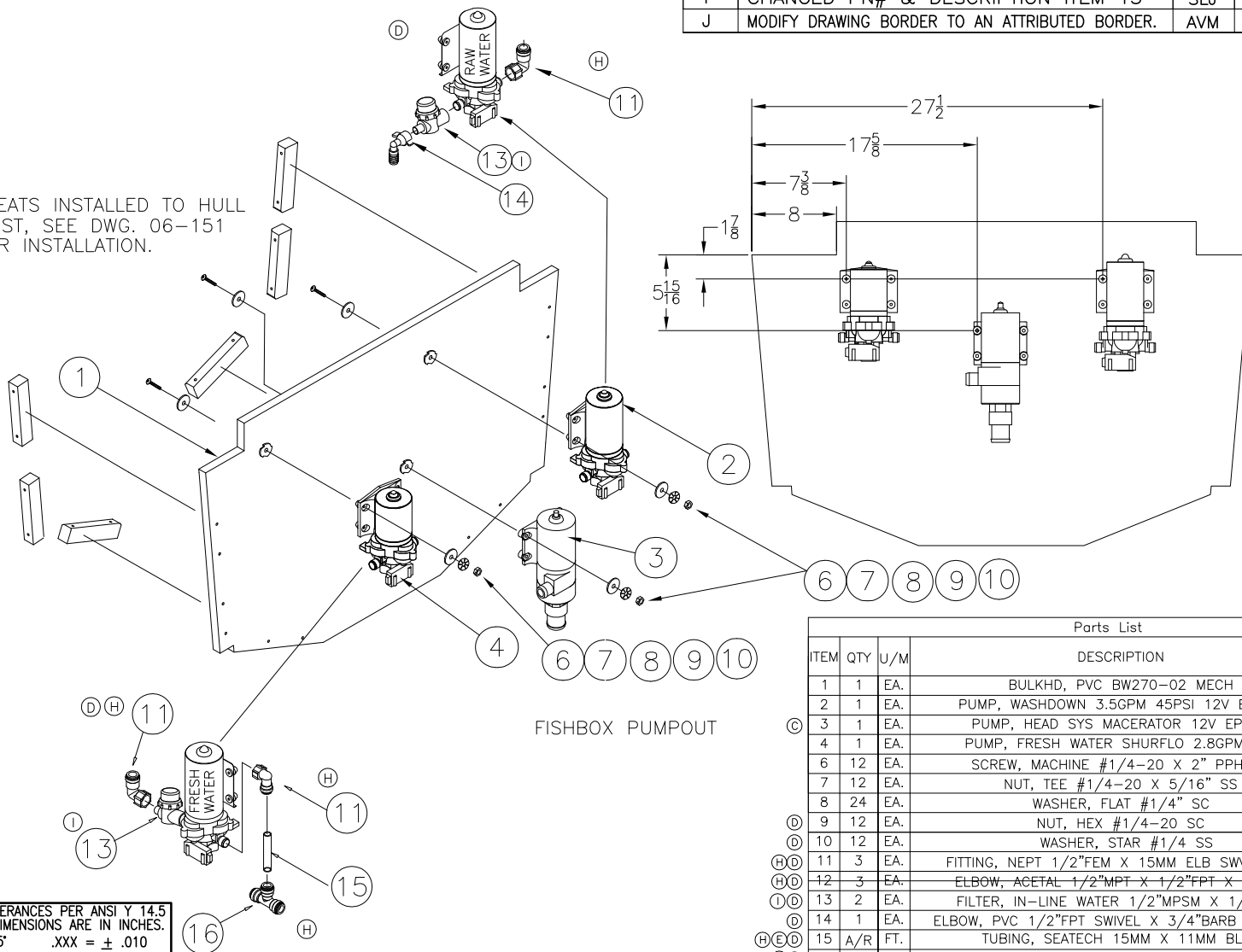
THIS DOCUMENT IS THE PROPERTY OF BOSTON WHALER, INC. MFG. DEPT., EDGEWATER, FLORIDA. ALL RIGHTS ARE RESERVED. THIS DOCUMENT AND INFORMATION CONTAINED MUST NOT BE COPIED OR DISCLOSED TO OTHERS WITHOUT WRITTEN PERMISSION OF BOSTON WHALER, INC.

DWG. NO: 09101 REV. J CURRENT ECD 060228

NOTES:  
1. CLEATS INCLUDED w/BULKHEAD - SHIPPED LOOSE.

REVISIONS					
REV.	DESCR.	BY	DATE	APPVD.	ECN NO.
F	MYE 04: DELETE OPT: 100-70064	RAL	05/09/03	RA	03-03-46
G	Changed Numbering System/Apply Att.Border.	AVM	06/09/03	ZAC	03-03-18
H	CHANGED PN# & DESCRIPTION ITEMS 11, 15, 16. DELETED ITEMS 12 & 17	SLJ	07/28/03	ZAC	03-03-08
I	CHANGED PN# & DESCRIPTION ITEM 13	SLJ	04/05/05	ME	05-03-19
J	MODIFY DRAWING BORDER TO AN ATTRIBUTED BORDER.	AVM	03/02/06		060228

CLEATS INSTALLED TO HULL FIRST, SEE DWG. 06-151 FOR INSTALLATION.



Parts List				
ITEM	QTY	U/M	DESCRIPTION	B.W.I. NO.
1	1	EA.	BULKHD, PVC BW270-02 MECH	1677590
2	1	EA.	PUMP, WASHDOWN 3.5GPM 45PSI 12V EPOXY	1688678
3	1	EA.	PUMP, HEAD SYS MACERATOR 12V EPOXY	1718984
4	1	EA.	PUMP, FRESH WATER SHURFLO 2.8GPM IMP	1128164
6	12	EA.	SCREW, MACHINE #1/4-20 X 2" PPH SC	1008614
7	12	EA.	NUT, TEE #1/4-20 X 5/16" SS	0768564
8	24	EA.	WASHER, FLAT #1/4" SC	1260769
9	12	EA.	NUT, HEX #1/4-20 SC	1260694
10	12	EA.	WASHER, STAR #1/4 SS	1008929
11	3	EA.	FITTING, NEPT 1/2"FEM X 15MM ELB SWVL 90DEG	1453935
12	3	EA.	ELBOW, ACETAL 1/2"MPT X 1/2"FPT X 90DEG	0172551
13	2	EA.	FILTER, IN-LINE WATER 1/2"MPSM X 1/2"NPSF	1797944
14	1	EA.	ELBOW, PVC 1/2"FPT SWIVEL X 3/4"BARB X 90DEG	0626101
15	A/R	FT.	TUBING, SEATECH 15MM X 11MM BLUE	1210160
16	1	EA.	TEE, SEATECH EQUAL 15MM	1214824
17	1	EA.	ELBOW, WHALE 90DEG STEM 15MM	0909978

INTERPRET DIMENSIONS AND TOLERANCES PER ANSI Y 14.5 UNLESS OTHERWISE SPECIFIED DIMENSIONS ARE IN INCHES.  
TOLERANCES: ANGLES = ± .5° .XXX = ± .010  
.X = ± .1 .XX = ± .03 X = ± 1/16  
DO NOT SCALE DRAWING



CHECKED: R. AVILA	DATE: 9/25/01	DRAWN: R CRAVEN	DATE: 09/26/01	SCALE: NONE	BOAT MODEL	MOLD NO.
APPD: K. RANIERI	DATE: 9/25/01	DWG. TITLE: PUMP PANEL SUB ASSEMBLY			2700R	
DESIGN: L. SCHOLZ	DATE: 9/28/01	INIT. REL. ECN NO: 010624			DWG. NO: 09101	SHT. NO. 1 of 1
INT. ENG: M. GATICA	DATE: 1/17/02					

THIS DOCUMENT IS THE PROPERTY OF BOSTON WHALER, INC. MFG. DEPT., EDGEWATER, FLORIDA. ALL RIGHTS ARE RESERVED. THIS DOCUMENT AND INFORMATION CONTAINED MUST NOT BE COPIED OR DISCLOSED TO OTHERS WITHOUT WRITTEN PERMISSION OF BOSTON WHALER, INC.

DWG. NO:  
08601

REV.  
A

CURRENT ECD  
060517

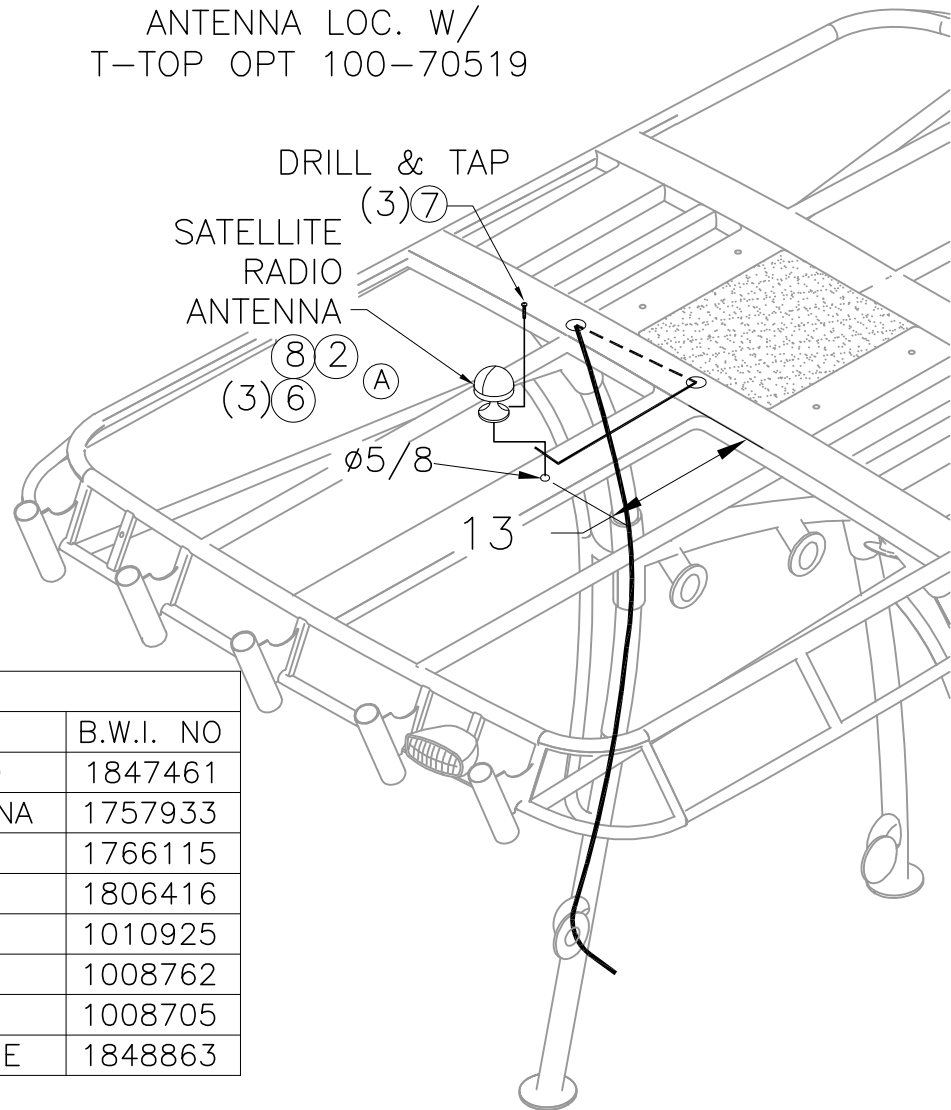
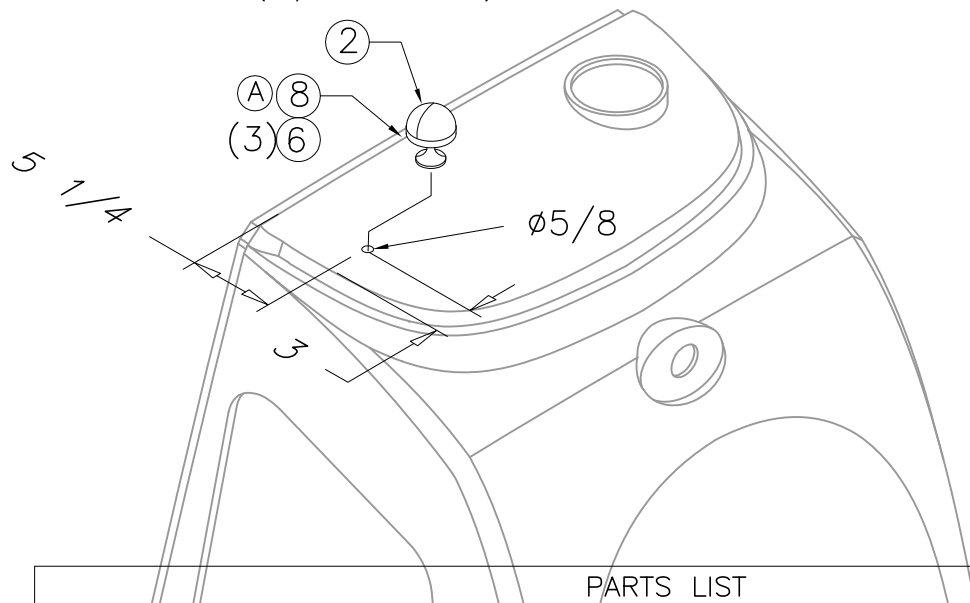
NOTES:

REVISIONS					
REV.	DESCR.	BY	DATE	APPVD.	ECN NO.
A	ADD #8, DIM WAS $\phi 5/8$ "	SWH	7/6/06	NA	060517

SATELLITE RADIO  
OPT: 100-75669

ANTENNA LOC. W/  
T-TOP OPT 100-70519

ANTENNA LOC. (W/O T-TOP)



PARTS LIST

ITEM	QNT.	U/M	DESCRIPTION	B.W.I. NO
1	1	EA.	STEREO, SIRIUS SATELLITE RCVR SIRCL3M-6MO	1847461
2	1	EA.	ANTENNA, SHAKESPEARE SATELLITE RADIO ANTENNA	1757933
3	1	EA.	PACKET, SIRIUS WELCOME KIT	1766115
4	1	EA.	DECAL, SIRIUS "NOW PLAYING INSIDE"	1806416
5	6	EA.	SCREW, TAPPING #8A X 5/8" PTH SC	1010925
6	3	EA.	SCREW, TAPPING #10A X 3/4" PTH SC	1008762
7	3	EA.	SCREW, MACHINE #10-24 X 3/4" PTH SC	1008705
(A) 8	1	EA.	MOUNT, BASE SATELLITE ANTENNA SHAKESPEARE	1848863

INTERPRET DIMENSIONS AND TOLERANCES PER ANSI Y 14.5  
UNLESS OTHERWISE SPECIFIED DIMENSIONS ARE IN INCHES.  
TOLERANCES: ANGLES =  $\pm .5^\circ$  .XXX =  $\pm .010$   
.X =  $\pm .1$  .XX =  $\pm .03$  X =  $\pm 1/16$   
DO NOT SCALE DRAWING



CHECKED: NA	DATE: 5/17/06	DRAWN: S. HIESTER	DATE: 5/4/06	SCALE: NONE	BOAT MODEL 2700R	MOLD NO.
APPD: KR	DATE: 5/17/06	DWG. TITLE: SATELLITE RADIO			INIT. REL. ECN NO: 060517	DWG. NO: 08601
DESIGN: VPK	DATE: 5/17/06					SHT. NO. 1 of 2
INT. ENG: MG	DATE: 5/17/06					



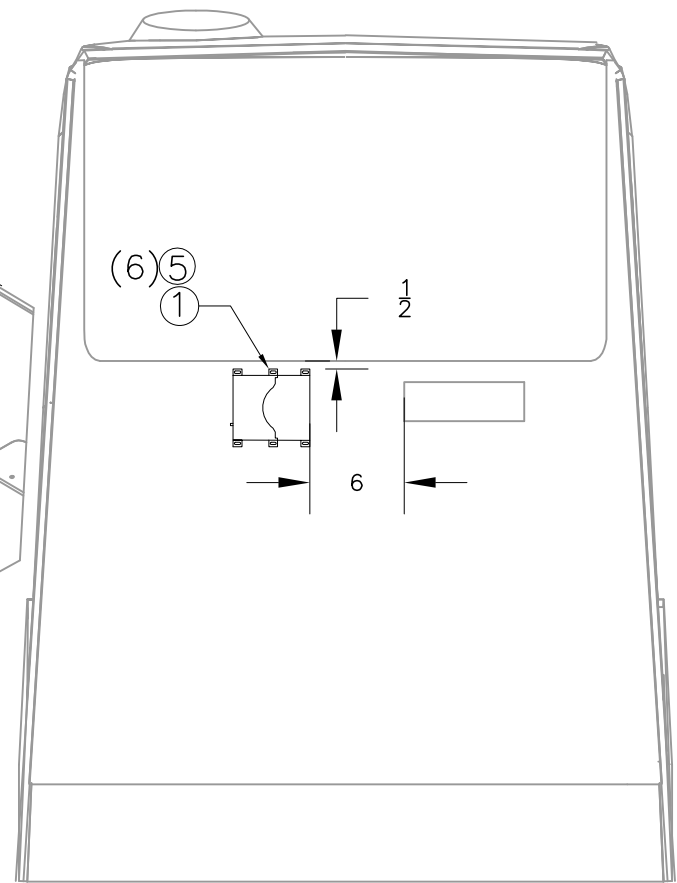
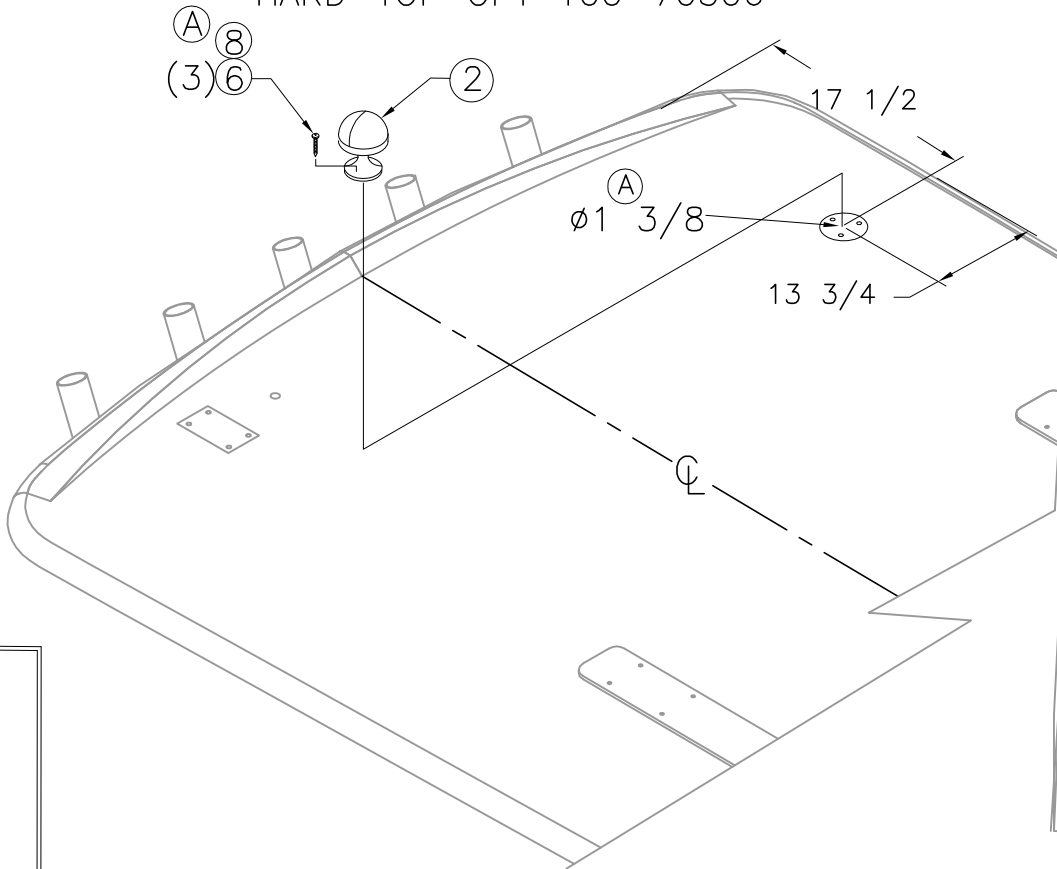
THIS DOCUMENT IS THE PROPERTY OF BOSTON WHALER, INC. MFG. DEPT., EDGEWATER, FLORIDA. ALL RIGHTS ARE RESERVED. THIS DOCUMENT AND INFORMATION CONTAINED MUST NOT BE COPIED OR DISCLOSED TO OTHERS WITHOUT WRITTEN PERMISSION OF BOSTON WHALER, INC.

DWG. NO:  
08601

REV.  
-

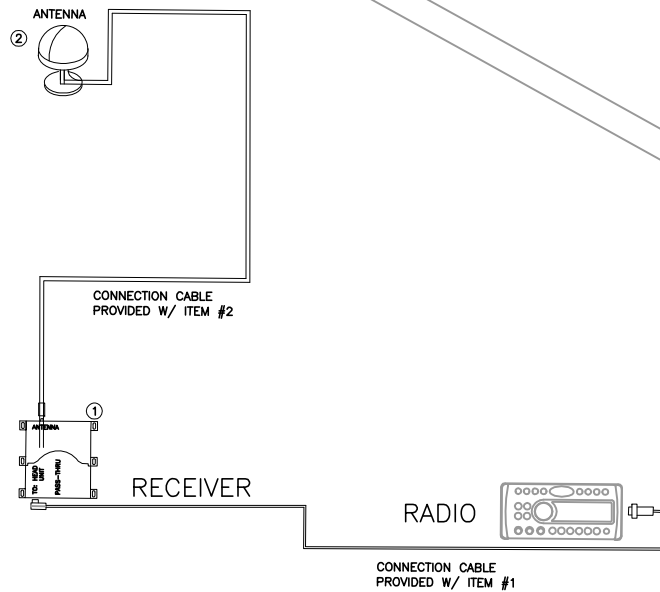
CURRENT ECD  
060517

ANTENNA LOC. W/  
HARD-TOP OPT 100-70506



FWD CONSOLE AFT FACE,

SATELLITE RADIO  
WIRE DIAGRAM



INTERPRET DIMENSIONS AND TOLERANCES PER ANSI Y 14.5 UNLESS OTHERWISE SPECIFIED DIMENSIONS ARE IN INCHES.  
 TOLERANCES: ANGLES = ± .5° .XXX = ± .010  
 .X = ± .1 X = ± 1/16  
 .XX = ± .03  
 DO NOT SCALE DRAWING

DRAWN: S. HIESTER DATE: 5/4/06 SCALE: NONE

DWG. TITLE:  
SATELLITE RADIO

BOAT MODEL

2700R

MOLD NO.

INIT. REL. ECN NO:  
060517

DWG. NO:  
08601

SHT. NO.

2 of 2

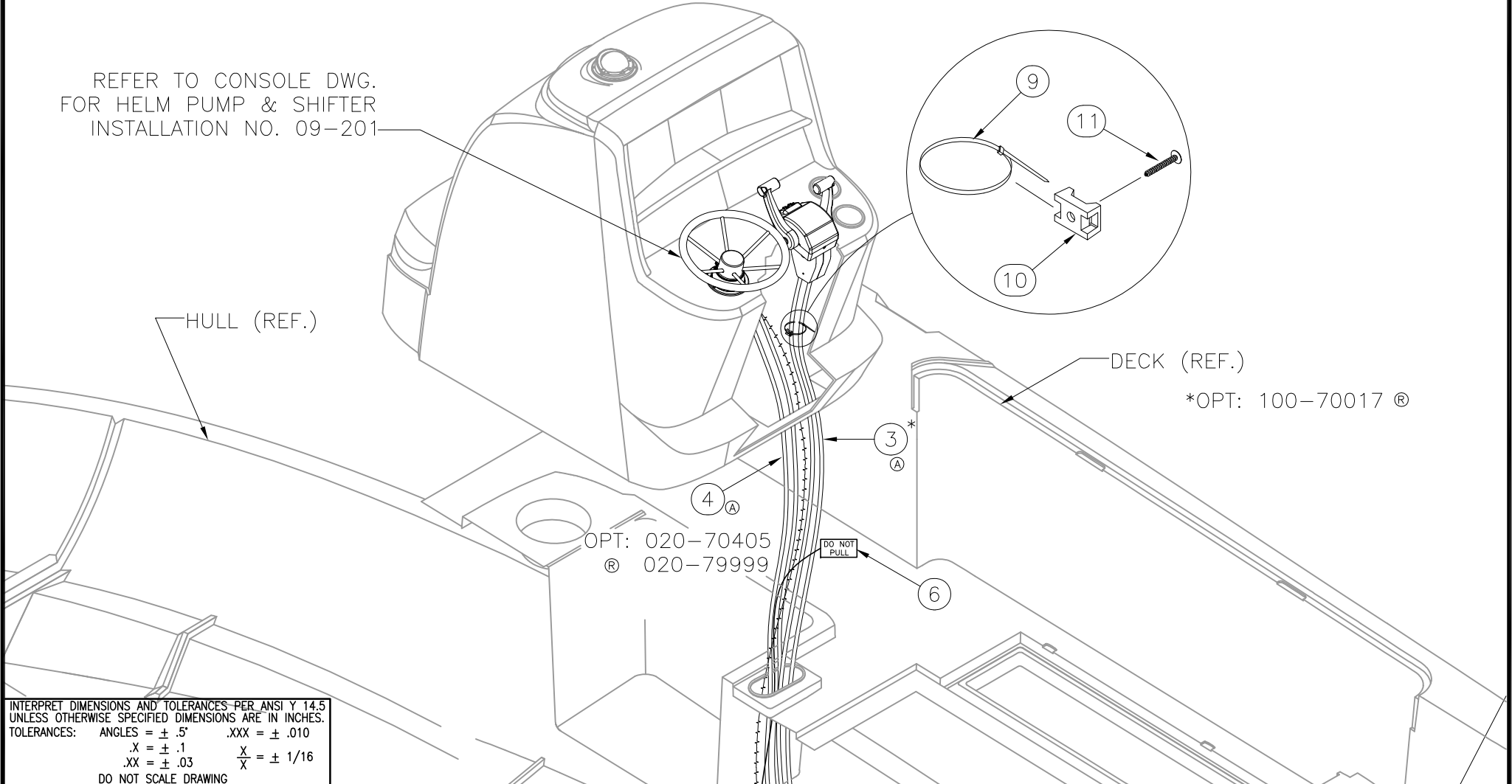
THIS DOCUMENT IS THE PROPERTY OF BOSTON WHALER, INC. MFG. DEPT., EDGEWATER, FLORIDA. ALL RIGHTS ARE RESERVED. THIS DOCUMENT AND INFORMATION CONTAINED MUST NOT BE COPIED OR DISCLOSED TO OTHERS WITHOUT WRITTEN PERMISSION OF BOSTON WHALER, INC.

DWG. NO: 10401  
 REV. S  
 CURRENT ECD 07064395

REVISIONS				
REV.	DESCR.	BY	DATE	APPVD.

1. CONNECT CABLES IN ACCORDANCE w/MANUFACTURERS INSTALLATION SHEET.
2. CABLES TO BE SECURED SEPARATELY FROM ELECTRICAL & FUEL LINES.
3. ROUTE CABLES TO AVOID TWIST OR KINKING.
4. HYDRAULIC STEERING HOSE MUST BE PROTECTED FROM CHAFING.
5. MIN. BEND RADIUS FOR HYDRAULIC STEERING HOSE IS 3 1/2".
6. ALL CABLES ARE TO BE RUN PRIOR TO CAPPING.

REFER TO CONSOLE DWG. FOR HELM PUMP & SHIFTER INSTALLATION NO. 09-201



INTERPRET DIMENSIONS AND TOLERANCES PER ANSI Y 14.5 UNLESS OTHERWISE SPECIFIED DIMENSIONS ARE IN INCHES.  
 TOLERANCES: ANGLES = ± .5° .XXX = ± .010  
 .X = ± .1 .XX = ± .03 X = ± 1/16  
 DO NOT SCALE DRAWING



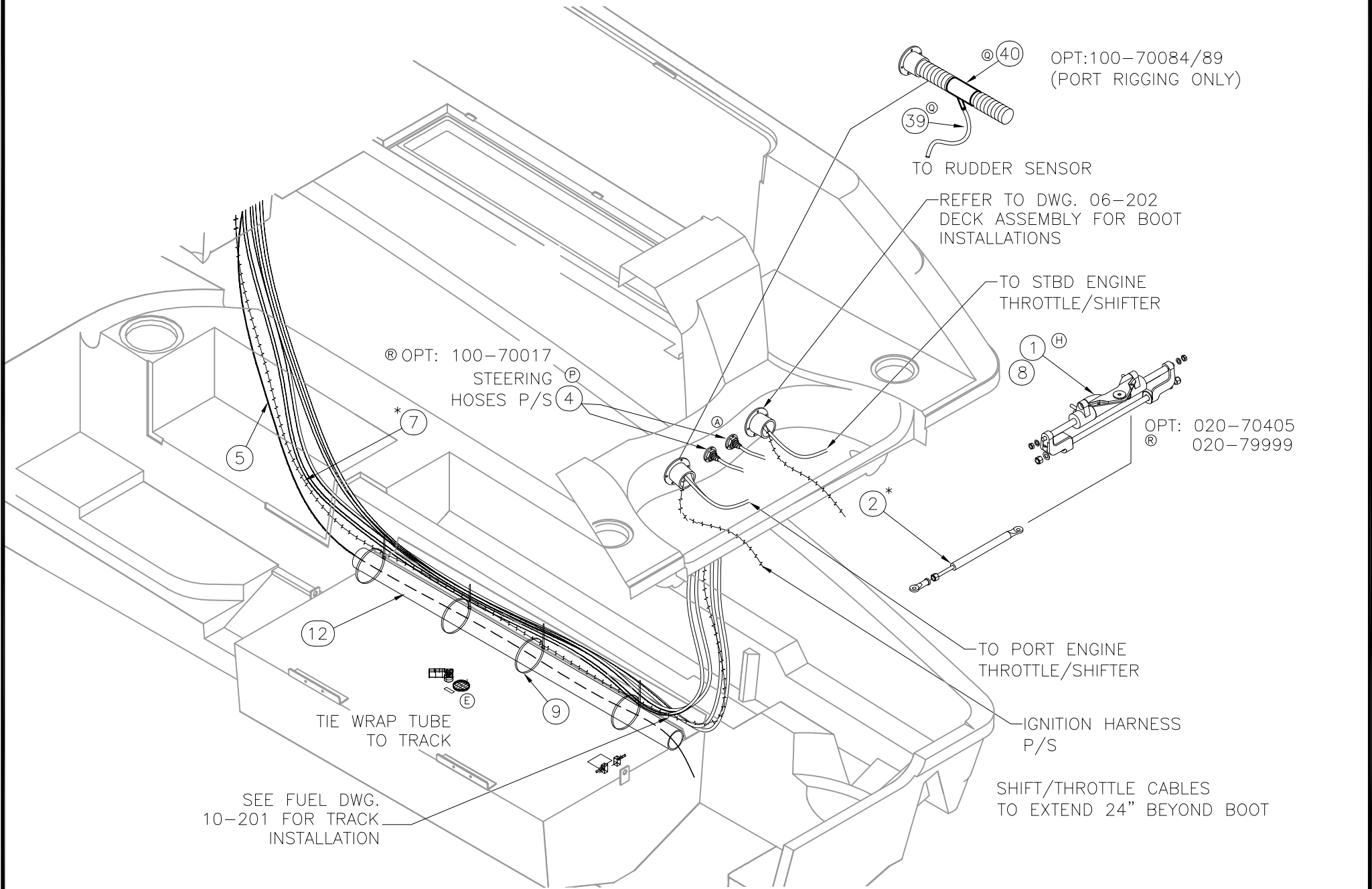
CHECKED: RA	DATE: 1/10/02	DRAWN: R. CRAVEN	DATE: 10/12/01	SCALE: NONE	BOAT MODEL	MOLD NO.
APPD: KR	DATE: 1/10/02	DWG. TITLE:		2700R		
DESIGN: L. SCHOLZ	DATE: 1/10/02	Steering/Throttle System Installation			INIT. REL. ECN NO:	DWG. NO:
INT. ENG: M. GATICA	DATE: 1/17/02				010624	10401
					SHT. NO.	1 of 6

THIS DOCUMENT IS THE PROPERTY OF BOSTON WHALER, INC. MFG. DEPT., EDGEWATER, FLORIDA. ALL RIGHTS ARE RESERVED. THIS DOCUMENT AND INFORMATION CONTAINED MUST NOT BE COPIED OR DISCLOSED TO OTHERS WITHOUT WRITTEN PERMISSION OF BOSTON WHALER, INC.

DWG. NO:  
10401

REV.  
S

CURRENT ECD  
07064395



INTERPRET DIMENSIONS AND TOLERANCES PER ANSI Y 14.5 UNLESS OTHERWISE SPECIFIED DIMENSIONS ARE IN INCHES.  
 TOLERANCES: ANGLES = ± .5° .XXX = ± .010  
 .X = ± .1 X = ± 1/16  
 .XX = ± .03  
 DO NOT SCALE DRAWING

DRAWN: R.CRAVEN DATE: 10/12/01 SCALE: NONE  
 DWG. TITLE: Steering/Throttle System Installation

BOAT MODEL 2700R	MOLD NO.
INIT. REL. ECN NO: 010624	DWG. NO: 10401
SHT. NO. 2 OF 6	

THIS DOCUMENT IS THE PROPERTY OF BOSTON WHALER, INC. MFG. DEPT., EDGEWATER, FLORIDA. ALL RIGHTS ARE RESERVED. THIS DOCUMENT AND INFORMATION CONTAINED MUST NOT BE COPIED OR DISCLOSED TO OTHERS WITHOUT WRITTEN PERMISSION OF BOSTON WHALER, INC.

DWG. NO:  
10401

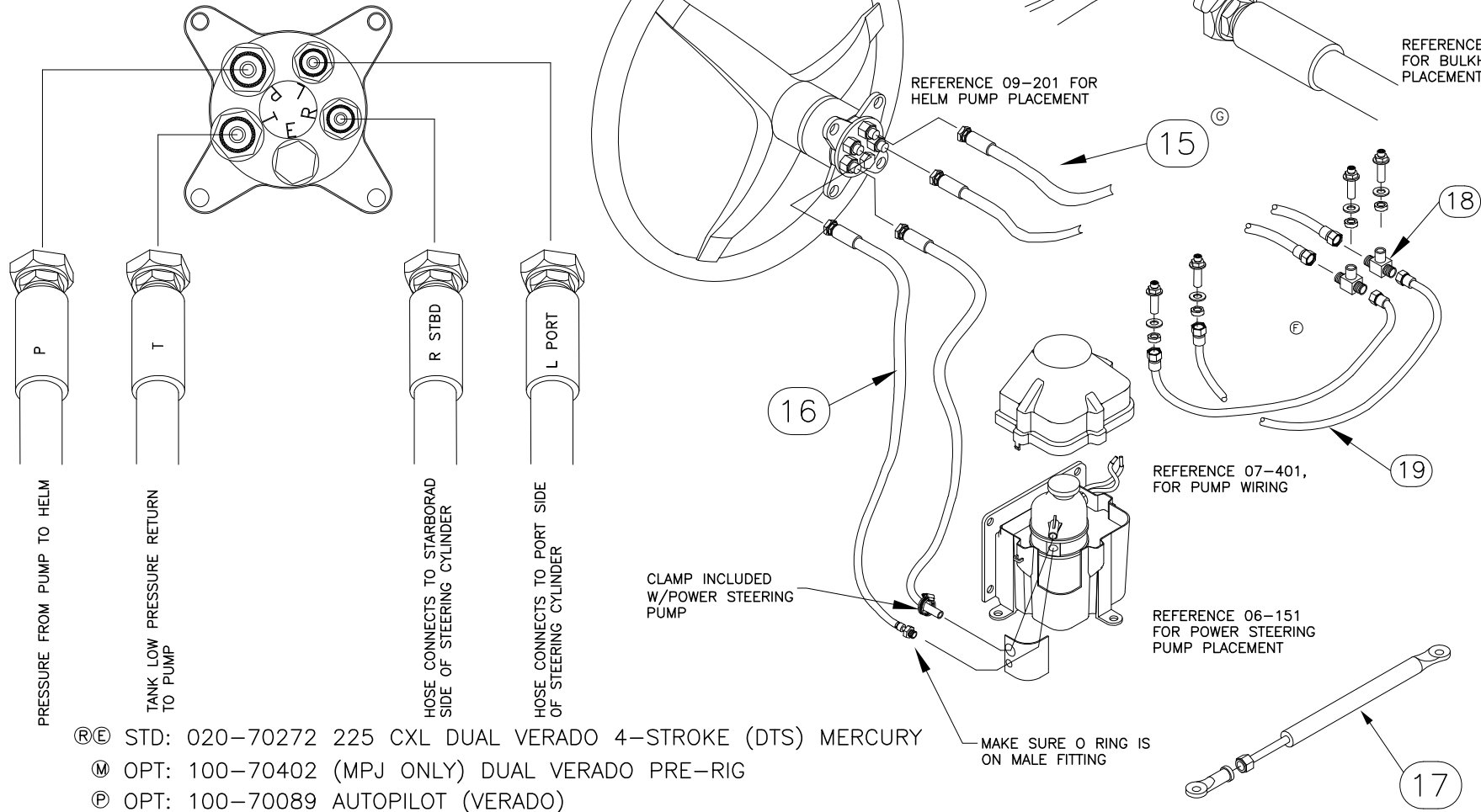
REV.  
S

CURRENT ECD  
07064395

1. SYSTEM REQUIRES FILLING AND BLEEDING, REFER TO INSTRUCTIONS SUPPLIED WITH POWER STEERING PUMP.
2. USE ONLY SAE 0W-30 FULL SYNTHETIC POWER STEERING FLUID SUPPLIED W/ POWER STEERING PUMP.
3. TO PREVENT DEBRIS FORM ENTERING HOSES DO NOT REMOVE THE PROTECTOR CAPS FROM THE HOSE ENDS UNTIL CONNECTING THE HOSES.
4. WITH OPT # 100-70402, INSTALL 2ea ITEM 20 AND PRE-BLEED AND LEAK CHECK STEERING SYSTEM.

ALWAYS USE WRENCH TO PREVENT HELM FITTING FROM TURNING WHILE TIGHTENING HOSES.

REFERENCE 06-201 FOR BULKHEAD FITTING PLACEMENT.



- ⓇⓈ STD: 020-70272 225 CXL DUAL VERADO 4-STROKE (DTS) MERCURY
- Ⓜ OPT: 100-70402 (MPJ ONLY) DUAL VERADO PRE-RIG
- Ⓟ OPT: 100-70089 AUTOPILOT (VERADO)



INTERPRET DIMENSIONS AND TOLERANCES PER ANSI Y 14.5 UNLESS OTHERWISE SPECIFIED DIMENSIONS ARE IN INCHES.  
 TOLERANCES: ANGLES = ± .5° .XXX = ± .010  
 .X = ± .1 X = ± 1/16  
 .XX = ± .03

DO NOT SCALE DRAWING

DRAWN: R.CRAVEN

DATE: 10/12/01

SCALE: NONE

BOAT MODEL

MOLD NO.

DWG. TITLE:

Steering/Throttle System Installation

2700R

INIT. REL. ECN NO:

010624

DWG. NO:

10401

SHT. NO.

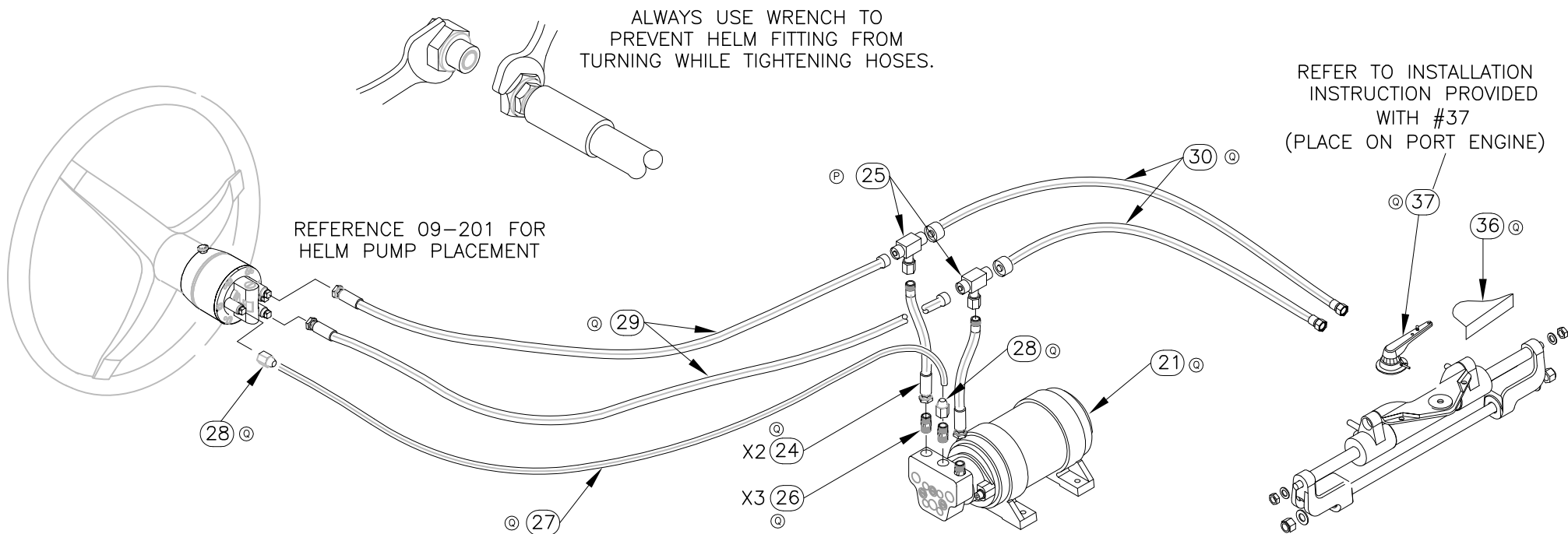
3 OF 6

THIS DOCUMENT IS THE PROPERTY OF BOSTON WHALER, INC. MFG. DEPT., EDGEWATER, FLORIDA. ALL RIGHTS ARE RESERVED. THIS DOCUMENT AND INFORMATION CONTAINED MUST NOT BE COPIED OR DISCLOSED TO OTHERS WITHOUT WRITTEN PERMISSION OF BOSTON WHALER, INC.

DWG. NO:  
10401

REV.  
S

CURRENT ECD  
07064395



OPT: 100-70084



INTERPRET DIMENSIONS AND TOLERANCES PER ANSI Y 14.5 UNLESS OTHERWISE SPECIFIED DIMENSIONS ARE IN INCHES.  
TOLERANCES: ANGLES = ± .5° .XXX = ± .010  
.X = ± .1 .X = ± 1/16  
.XX = ± .03  
DO NOT SCALE DRAWING

DRAWN: R.CRAVEN DATE: 10/12/01 SCALE: NONE

DWG. TITLE:  
Steering/Throttle System Installation

BOAT MODEL  
2700R

MOLD NO.

INIT. REL. ECN NO:  
010624

DWG. NO:  
10401

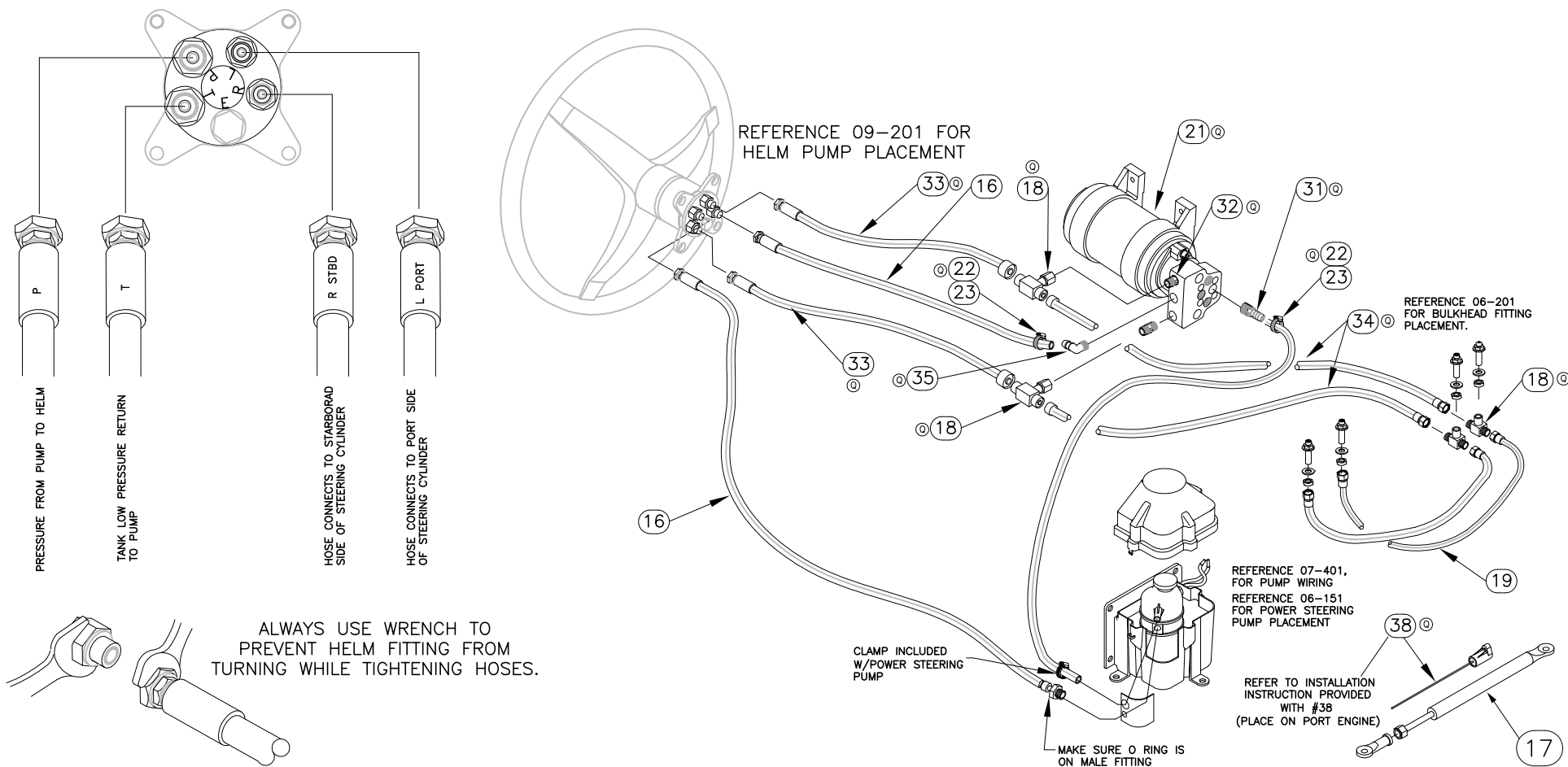
SHT. NO.  
4 OF 6

THIS DOCUMENT IS THE PROPERTY OF BOSTON WHALER, INC. MFG. DEPT., EDGEWATER, FLORIDA. ALL RIGHTS ARE RESERVED. THIS DOCUMENT AND INFORMATION CONTAINED MUST NOT BE COPIED OR DISCLOSED TO OTHERS WITHOUT WRITTEN PERMISSION OF BOSTON WHALER, INC.

DWG. NO:  
10401

REV.  
S

CURRENT ECD  
07064395



OPT:100-70089



INTERPRET DIMENSIONS AND TOLERANCES PER ANSI Y 14.5 UNLESS OTHERWISE SPECIFIED DIMENSIONS ARE IN INCHES.  
TOLERANCES: ANGLES = ± .5° .XXX = ± .010  
.X = ± .1 .XX = ± .03 X = ± 1/16  
DO NOT SCALE DRAWING

DRAWN: R.CRAVEN

DATE: 10/12/01

SCALE: NONE

BOAT MODEL

MOLD NO.

DWG. TITLE:

Steering/Throttle System Installation

2700R

INIT. REL. ECN NO:

010624

DWG. NO:

10401

SHT. NO.

5 of 6

THIS DOCUMENT IS THE PROPERTY OF BOSTON WHALER, INC. MFG. DEPT., EDgewater, FLORIDA. ALL RIGHTS ARE RESERVED. THIS DOCUMENT AND INFORMATION CONTAINED MUST NOT BE COPIED OR DISCLOSED TO OTHERS WITHOUT WRITTEN PERMISSION OF BOSTON WHALER, INC.

DWG. NO:  
10401

REV. S

CURRENT ECO  
07064395

Parts List								
ITEM	STD	QTY				U/M	DESCRIPTION	B.W.I. NO.
		OPT 70084	OPT 70089	OPT 70402	OPT 70017			
1					1	EA.	STEERING, HYD CYLINDER O/B PIVOT MN	1095728
2					1	EA.	TIE BAR, O/B KIT MERC/OMC SGL CYL	1253475
3					4	EA.	CABLE, CONTROL MERC PLATINUM 16' GEN II	1753101
4					1	EA.	STEERING, O/B HOSE KIT 18' W/BHD FTG 2/HOSES	1275692
5	19					FT.	CORD, NYLON 1/8" WHT	1033372
6	1					EA.	TAG, BW DO NOT PULL RIGGING	0999755
7					2	EA.	HARNESS, ENG MERC S-CRFT 14 PIN 20'	1802105
8					1	GL	FLUID, HYDRAULIC AEROSHELL #41 (NOT SHOWN)	1807698
9	6					EA.	TIE, CABLE 11" MED NYLON BLK	0157321
10	2					EA.	TIE, CLIP BLK	1031764
11	2					EA.	SCREW, TAPPING #8A x 3/4" PPH SC	1010651
12	6					FT.	HOSE, 2"ID CABLE COVER (OUTBOARD) BLK	1042399
13	1					EA.	STEERING, HYD CYL O/B PIVOT MNT	1691041
14	1					EA.	STEERING, POWER PACK MERC W/12' LEAD	1772668
15	1		-1			EA.	STEERING, O/B HOSE KIT CYL/HELM 18' W/2 HOSES	1773924
16	1					EA.	STEERING, O/B HOSE KIT PWR PK/HELM 18' W/2 HS	1773925
17	1					EA.	TIE BAR, O/B L6 KIT MERC 30"-32"	1839611
18	2		2			EA.	STEERING, TEE FITTING FEMALE 9/16"	1784176
19	1					EA.	STEERING, O/B HOSE KIT CYL/HELM 4' W/2 HOSES	1781350
20				2		EA.	ACC PART, KIT MERC FITTING CYL RESTRICTOR	1849386
21		1	1			EA.	AUTO PILOT, NRTHSTR TYPE I PUMP UNIT	1807922
22			2			EA.	CLAMP, HOSE #06M 5/16"-7/8" SS MINI	0123398
23			2			EA.	COVER, CLAMP END PROT 1/2"L X.035"X.30"RED	0830976
24		2				EA.	STEERING, O/B HOSE KIT 1' W/1 HOSE	1849786
25		2				EA.	STEERING, TEE 3/8"MALE FINE THREAD	1849783
26		3				EA.	STEERING, STRAIGHT FITTING	1806035
27		.15				RL.	STEERING HOSE, NYLON 3/8" LOW PRESS	1849784
28		2				EA.	STEERING, FITTING TUBE NUT C/W SLEEVE	0999292
29		1				EA.	STEERING, O/B HOSE KIT 14' W/2 HOSE	0127035
30		1				EA.	STEERING, O/B HOSE 4' W/BHD FTG 2HOSES	1762417
31			1			EA.	FITTING, BRASS 1/4"MPT X 3/8"BARB	1043397
32			2			EA.	FITTING, SS 1/4"MPT X 9/16"ORFS	1846438
33			1			EA.	STEERING, O/B HOSE KIT CYL/HELM 14' W/2 HOSES	1781351
34			1			EA.	STEERING, O/B HOSE KIT CYL/HELM 4' W/2 HOSES	1781350
35			1			EA.	ELBOW, BRASS 90DEG 1/4"MPT X 3/8"BARB	0258285
36		1				EA.	MOUNTING KIT, NAVMAN RFU O/B STD (PRT)	1780442
37		1				EA.	AUTO PILOT, NRTHSTR CORE PACK KIT (OPTIMAX)	1807927
38			1			EA.	AUTO PILOT, NRTHSTR CORE PACK KIT (VERADO)	1848858
39		2	2			FT.	HOSE, CONDUIT/SPLIT 1/4" FLAME RETARDANT	1501808
40		1	1			EA.	COLLAR, RIG TUBE FUEL HOSE PRT BLK	1838019
41	2				-2	EA.	FLUID, SYNTHETIC POWER STEERING QT	1839326



INTERPRET DIMENSIONS AND TOLERANCES PER ANSI Y 14.5 UNLESS OTHERWISE SPECIFIED DIMENSIONS ARE IN INCHES:  
 TOLERANCES:  
 ANGLES = ± .5°  
 .XXX = ± .010  
 X = ± .1  
 .XX = ± .05  
 X = ± 1/16  
 DO NOT SCALE DRAWING

DRAWN: R. CRAVEN DATE: 10/12/01 SCALE: NONE

DWG. TITLE:  
Steering/Throttle System Installation

BOAT MODEL: 2700R

INIT. REL. ECN NO: 010624

DWG. NO: 10401

MOLD NO.

SHT. NO. 6 OF 6

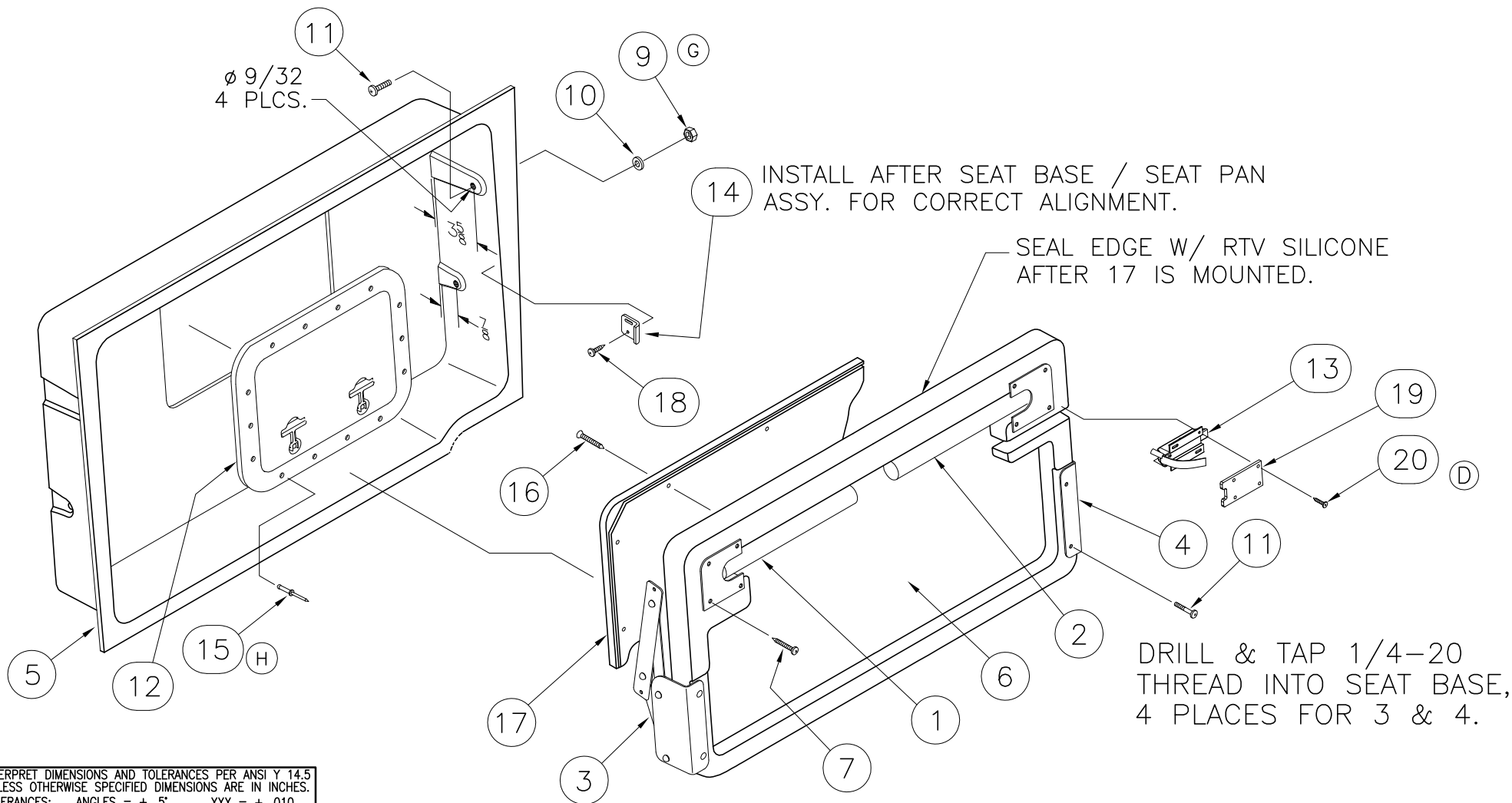
THIS DOCUMENT IS THE PROPERTY OF BOSTON WHALER, INC. MFG. DEPT., EDGEWATER, FLORIDA. ALL RIGHTS ARE RESERVED. THIS DOCUMENT AND INFORMATION CONTAINED MUST NOT BE COPIED OR DISCLOSED TO OTHERS WITHOUT WRITTEN PERMISSION OF BOSTON WHALER, INC.

DWG. NO: 09409  
 REV. H  
 CURRENT ECD 07064376

NOTES:

- ITEMS 1 & 2 BOTTOM OUT IN SPACE PROVIDED LEG SHALL BE PARALLEL W/ PART
- ITEM 17 SHALL BE CAULKED AT SEAM & ALL FASTENERS AT TIME OF INSTALL'N. USING SIKA-FLEX MARINE SEALANT.

REVISIONS					
REV.	DESCR.	BY	DATE	APPVD.	ECN NO.
D	CHANGED QTY. OF #18 TO 2 EA. ADDED #20 QTY. 4 EA.	CSR	12/11/02	ZAC	021217
E	Changed Numbering System/Apply Att.Border.	AVM	04/14/03	-	030318
F	MODIFY DRAWING BORDER TO AN ATTRIBUTED BORDER	TS	02/27/06	AVM	060228
G	#09 WAS 1007764	SWH	06/08/06	AVM	0604144
H	REPLACE RIVETS #189415, WITH #1781122 SCREW	TKJ	6/27/07	AVM	07064376



INTERPRET DIMENSIONS AND TOLERANCES PER ANSI Y 14.5 UNLESS OTHERWISE SPECIFIED DIMENSIONS ARE IN INCHES.  
 TOLERANCES: ANGLES = ± .5° .XXX = ± .010  
 .X = ± .1 X = ± 1/16  
 .XX = ± .03 X = ± 1/16  
 DO NOT SCALE DRAWING



CHECKED: R. AVILA	DATE: 12/04/01	DRAWN: H READ	DATE: 11/05/01	SCALE: NONE	BOAT MODEL 2700R	MOLD NO.
APPD: K. RANIERI	DATE: 12/04/01	DWG. TITLE: STERN SEAT SUB ASSY			INIT. REL. ECN NO: 010624	DWG. NO: 09409
DESIGN: L.SCHOLZ	DATE: 12/12/01				SHT. NO. 1 OF 3	
INT. ENG: M. GATICA	DATE: 01/17/01					



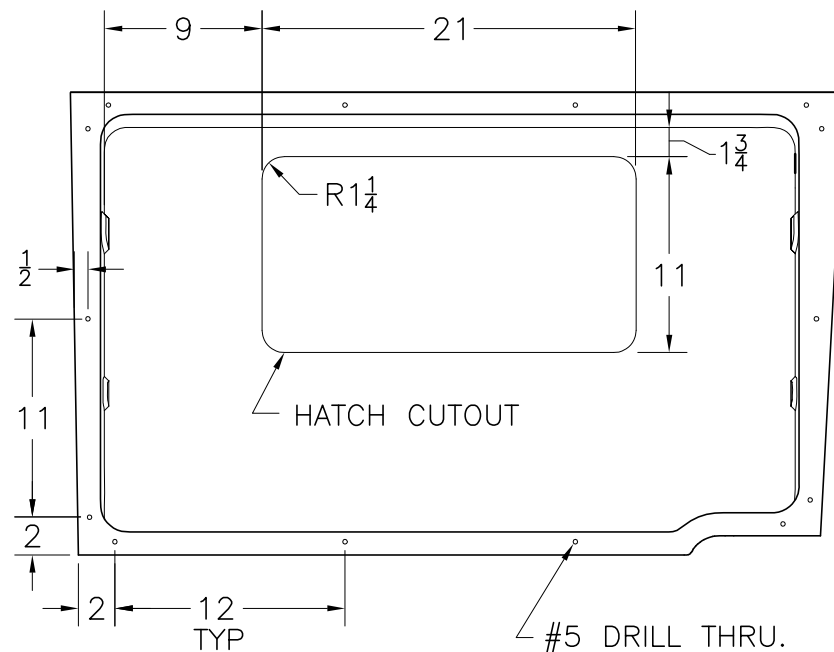
THIS DOCUMENT IS THE PROPERTY OF BOSTON WHALER, INC. MFG. DEPT., EDGEWATER, FLORIDA. ALL RIGHTS ARE RESERVED. THIS DOCUMENT AND INFORMATION CONTAINED MUST NOT BE COPIED OR DISCLOSED TO OTHERS WITHOUT WRITTEN PERMISSION OF BOSTON WHALER, INC.

DWG. NO:  
09409

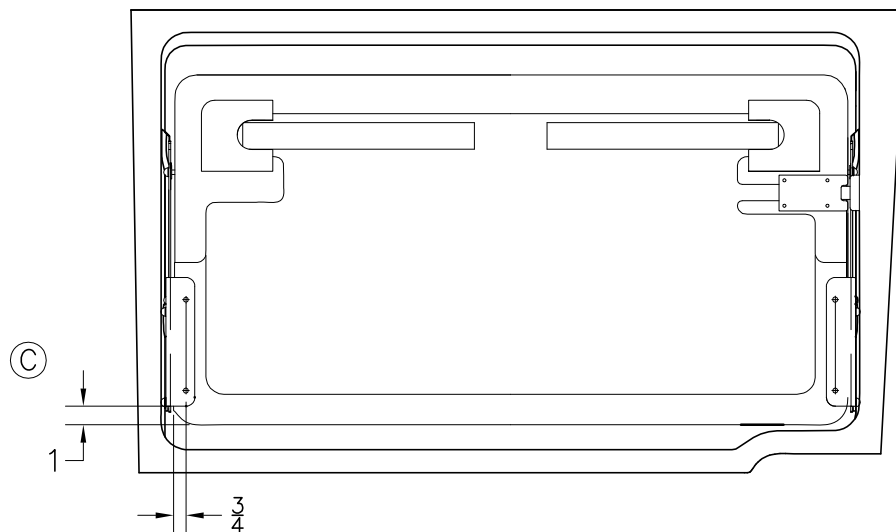
REV.  
H

CURRENT ECD  
07064376

NOTES:



SEAT PAN CUTOUTS



PLACEMENT OF THE HINGE(S) ON THE STERN SEAT BASE IS CRITICAL TO OPERATION. ENSURE THAT THE DIMS. SHOWN ARE HELD EQUALLY ON BOTH SIDES WHEN MARKING THE MOUNTING HOLES.

SEAT BASE / SEAT PAN ASSY.



INTERPRET DIMENSIONS AND TOLERANCES PER ANSI Y 14.5 UNLESS OTHERWISE SPECIFIED DIMENSIONS ARE IN INCHES.  
TOLERANCES: ANGLES = ± .5° .XXX = ± .010  
.X = ± .1 .X = ± 1/16  
.XX = ± .03  
DO NOT SCALE DRAWING

DRAWN: H READ DATE: 11/05/01 SCALE: NONE

DWG. TITLE:  
STERN SEAT SUB ASSY

BOAT MODEL  
2700R

MOLD NO.

INIT. REL. ECN NO:  
010624

DWG. NO:  
09409

SHT. NO.

2 of 3

NOTES:

# PARTS LIST

ITEM	QTY.	U/M	DESCRIPTION	B.W.I. NO.
1	1	EA.	SUPPORT, BW-02 LEG FLDNG 13.75 STERN ST LH	1689420
2	1	EA.	SUPPORT, BW-02 LEG FLDNG 13.75 STERN ST RH	1689421
3	1	EA.	HINGE, BWCQ/OR-00 FOLDING SEAT LEFT	1423953
4	1	EA.	HINGE, BWCQ/OR-00 FOLDING SEAT RIGHT	1423961
5	1	EA.	FIBERGLASS PART, STERN SEAT INSERT	22-K065-00
6	1	EA.	FIBERGLASS PART, STERN SEAT BASE	22-K066-00
7	8	EA.	SCREW, TAPPING #10A x 1" POH SC	1008507
8	—	EA.		
⑨ 9	4	EA.	NUT, LOCK #1/4-20 SC STD PATT	1009786
10	4	EA.	WASHER, FLAT #1/4" SC	1260769
11	8	EA.	SCREW, MACHINE 1/4-20 x 1" PPH SC	1008580
12	1	EA.	HATCH, UTILITY 13 x 23" WHT	0682302
13	1	EA.	LATCH, SLAM W/30" STRAP BLK	1046788
14	1	EA.	BRACKET, BW-01 MOBELLA STRIKE SS	1609791
⑨ 15	14	EA.	SCREW, MACHINE #10-24 X	1781122
⑨ 16	14	EA.	SCREW, TAPPING #14A X 2" PFH SC	1010297
17	1	EA.	BASE, HDPE BW2700R-02 STERN SEAT	1689695
⑨ 18	2	EA.	SCREW, TAPPING #8A x 5/8" PTH SC	1010925
19	1	EA.	COVER, ABS BW2700R-02 AFT SEAT LATCH	1689931
⑨ 20	4	EA.	SCREW, TAPPING #8A X 1" PTH SC	1008804

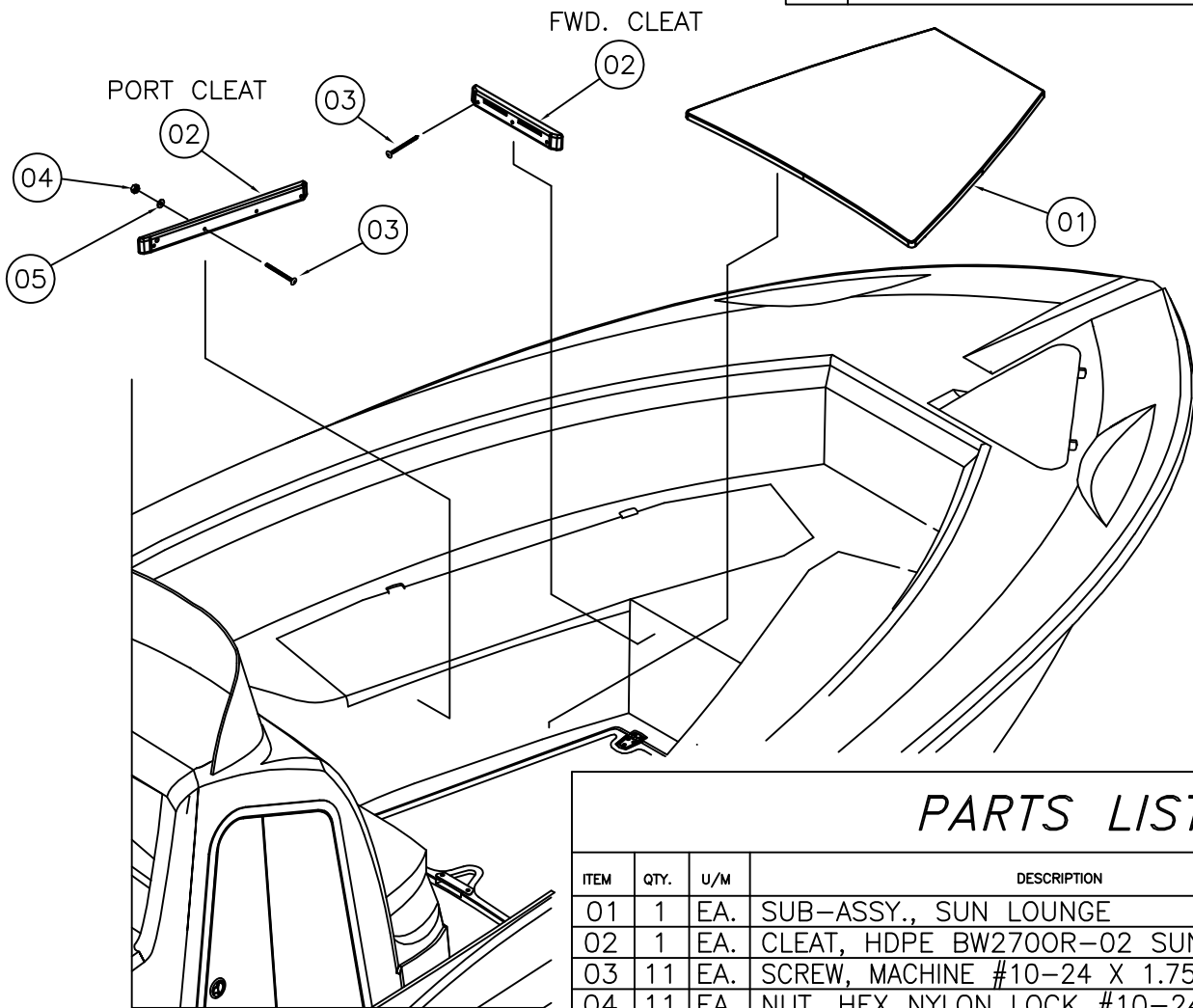
THIS DOCUMENT IS THE PROPERTY OF BOSTON WHALER, INC. MFG. DEPT., EDGEWATER, FLORIDA. ALL RIGHTS ARE RESERVED. THIS DOCUMENT AND INFORMATION CONTAINED MUST NOT BE COPIED OR DISCLOSED TO OTHERS WITHOUT WRITTEN PERMISSION OF BOSTON WHALER, INC.

DWG. NO: 08405  
 REV. C  
 CURRENT ECD 060228

NOTES:

1. SEAL ALL FASTENERS AT INSTALL'N. USING WHITE SILICONE SEALANT.

REVISIONS					
REV.	DESCR.	BY	DATE	APPVD.	ECN NO.
A	CHANGED DIM ON PG.2 BACK TO 6-1/2"	RD	04/30/02	LMS	020419
B	Changed Numbering System/Apply Att.Border.	AVM	04/14/03	LMS	030318
C	MODIFY DRAWING BORDER TO AN ATTRIBUTED BORDER	TS	02/27/06	AVM	060228



**PARTS LIST**

ITEM	QTY.	U/M	DESCRIPTION	B.W.I. NO.
01	1	EA.	SUB-ASSY., SUN LOUNGE	09-403
02	1	EA.	CLEAT, HDPE BW2700R-02 SUN LNG	1690179
03	11	EA.	SCREW, MACHINE #10-24 X 1.75" POH SC	1215029
04	11	EA.	NUT, HEX NYLON LOCK #10-24 SC	1007772
05	11	EA.	WASHER, FLAT #10 SC	1260751

INTERPRET DIMENSIONS AND TOLERANCES PER ANSI Y 14.5 UNLESS OTHERWISE SPECIFIED DIMENSIONS ARE IN INCHES.  
 TOLERANCES: ANGLES = ± .5° .XXX = ± .010  
 .X = ± .1 .XX = ± .03 X = ± 1/16  
 DO NOT SCALE DRAWING



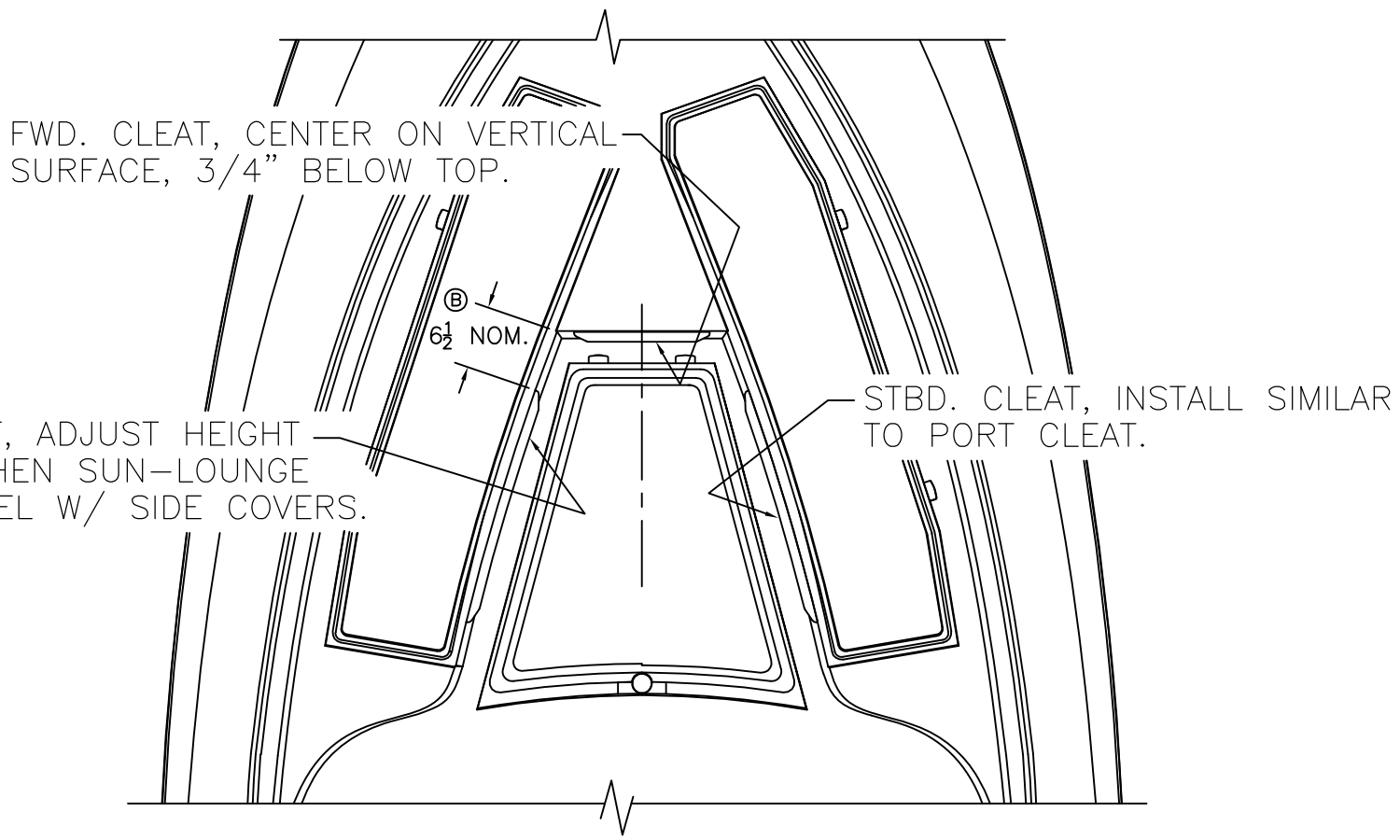
CHECKED: R. AVILA	DATE: 04/09/02	DRAWN: R DURHAM	DATE: 04/08/02	SCALE: NONE	BOAT MODEL	MOLD NO.
APPD: K. RANIERI	DATE: 04/09/02	DWG. TITLE:			2700R	
DESIGN: L. SCHOLZ	DATE: 04/09/02	SUN LOUNGE INSTALLATION			INIT. REL. ECN NO:	SHT. NO.
INT. ENG: M. GATICA	DATE: 04/09/02				08405	1 OF 2

THIS DOCUMENT IS THE PROPERTY OF BOSTON WHALER, INC. MFG. DEPT., EDGEWATER, FLORIDA. ALL RIGHTS ARE RESERVED. THIS DOCUMENT AND INFORMATION CONTAINED MUST NOT BE COPIED OR DISCLOSED TO OTHERS WITHOUT WRITTEN PERMISSION OF BOSTON WHALER, INC.

DWG. NO:  
08405

REV.  
C

CURRENT ECD  
060228



PLAN-VIEW, SUN LOUNGE AREA



INTERPRET DIMENSIONS AND TOLERANCES PER ANSI Y 14.5 UNLESS OTHERWISE SPECIFIED DIMENSIONS ARE IN INCHES.  
 TOLERANCES: ANGLES = ± .5° .XXX = ± .010  
 .X = ± .1 X = ± 1/16  
 .XX = ± .03  
 DO NOT SCALE DRAWING

DRAWN: R DURHAM DATE: 04/08/02 SCALE: NONE

DWG. TITLE:  
SUN LOUNGE INSTALLATION

BOAT MODEL  
2700R

MOLD NO.

INIT. REL. ECN NO:

DWG. NO:  
08405

SHT. NO.

2 OF 2

THIS DOCUMENT IS THE PROPERTY OF BOSTON WHALER, INC. MFG. DEPT., EDGEWATER, FLORIDA. ALL RIGHTS ARE RESERVED. THIS DOCUMENT AND INFORMATION CONTAINED MUST NOT BE COPIED OR DISCLOSED TO OTHERS WITHOUT WRITTEN PERMISSION OF BOSTON WHALER, INC.

DWG. NO: 09403 REV. D CURRENT ECD 060228

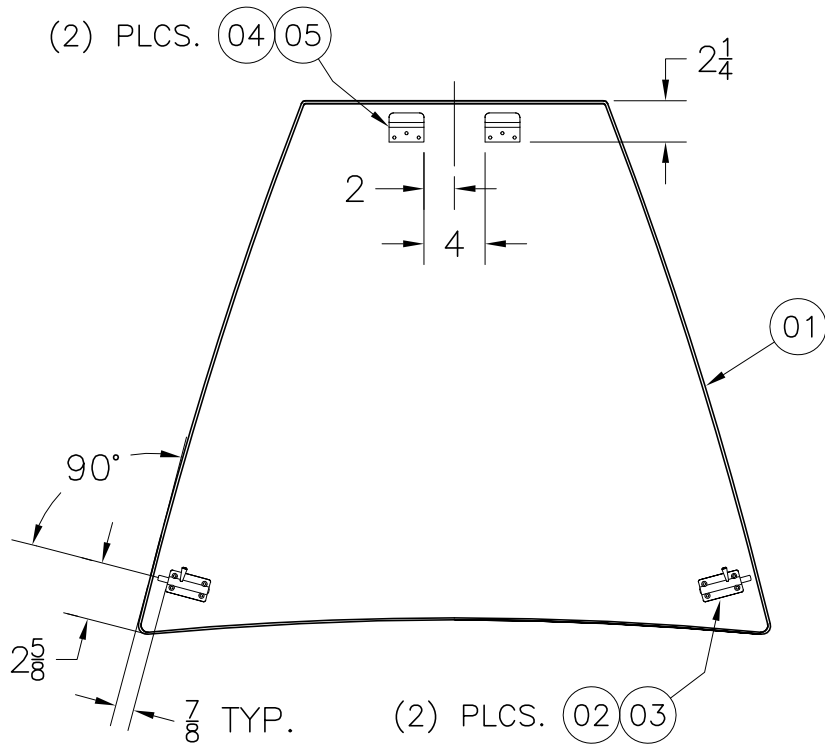
NOTES:

1. SEAL ALL FASTENERS AT INSTALLATION USING WHITE SILICONE SEALANT.

REVISIONS					
REV.	DESCR.	BY	DATE	APPVD.	ECN NO.
B	ITEM 03 WAS #1213057	RD	04/30/02	LMS	020419
C	Changed Numbering System/Apply Att.Border.	AVM	04/14/03	-	030318
D	MODIFY DRAWING BORDER TO AN ATTRIBUTED BORDER	TS	02/27/06	AVM	060228

## PARTS LIST

ITEM	QTY.	U/M	DESCRIPTION	B.W.I. NO.
01	1	EA.	FIBERGLASS PART, SUN LOUNGE 2700R-02	22-K064-00
02	2	EA.	BOLT, BARREL SS SPRING LOADED	1206143
Ⓑ 03	8	EA.	SCREW, TAPPING #8A X 5/8" POH SC	1213354
04	2	EA.	BRACKET, BW-02 OFFSET SS	1581628
Ⓐ 05	6	EA.	SCREW, TAPPING #8A x 5/8" PTH SC	1010925



VIEW ON BOTTOM SURFACE

INTERPRET DIMENSIONS AND TOLERANCES PER ANSI Y 14.5 UNLESS OTHERWISE SPECIFIED DIMENSIONS ARE IN INCHES.  
 TOLERANCES: ANGLES = ± .5° .XXX = ± .010  
 .X = ± .1 .XX = ± .03 X = ± 1/16  
 DO NOT SCALE DRAWING



CHECKED: R. AVILA	DATE: 04/08/02	DRAWN: R DURHAM	DATE: 04/08/02	SCALE: NONE	BOAT MODEL	MOLD NO.
APPD: K. RANIERI	DATE: 04/08/02	DWG. TITLE:			2700R	
DESIGN: L. SCHOLZ	DATE: 04/09/02	SUN LOUNGE SUB ASSY			INIT. REL. ECN NO:	SHT. NO.
INT. ENG: M. GATICA	DATE: 04/09/02				DWG. NO: 09403	1 of 1

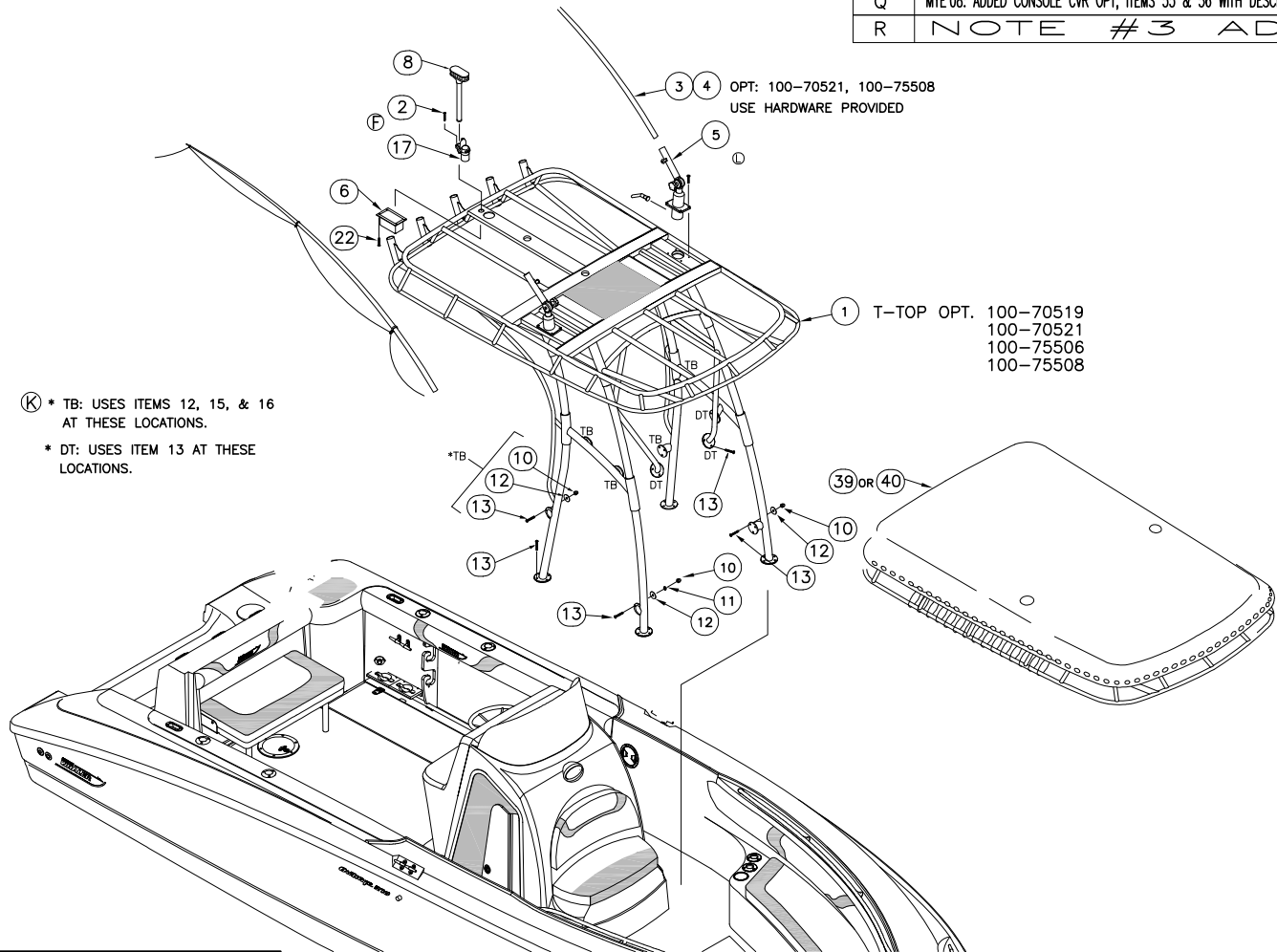
THIS DOCUMENT IS THE PROPERTY OF BOSTON WHALER, INC. MFG. DEPT., EDGEWATER, FLORIDA. ALL RIGHTS ARE RESERVED. THIS DOCUMENT AND INFORMATION CONTAINED MUST NOT BE COPIED OR DISCLOSED TO OTHERS WITHOUT WRITTEN PERMISSION OF BOSTON WHALER, INC.

DWG. NO: 08401  
 REV. R  
 CURRENT ECD 07044222

NOTES:

1. SEAL ALL HOLES (USING WHITE URETHANE) AT TIME OF FASTENER INSTALLATION INTO DECK (FOR T-TOP FRAME FOOT PADS).
2. CANVAS MUST BE INSTALLED PRIOR TO OUTRIGGER BASES.
3. INSTALL OUTRIGGER CAPS WHEN NO OUTRIGGERS ORDERED (SUPPLIED W T top)

REVISIONS					
REV.	DESCR.	BY	DATE	APPVD.	ECN NO.
L	MYE 2006: ITEM # 5 P/N WAS 1683926	MRZ	06/15/05	MG	050563
M	MODIFY DRAWING BORDER TO AN ATTRIBUTED BORDER	TS	02/27/06	AVM	060228
N	ADDED PVC BOOT #54, SHEETS 2 & 3.	SL	03/07/06	ME	060303
O	#16 WAS 1007764	SWH	06/08/06	AVM	0604144
P	CHANGED PN# & DESCR. ITEM43, DELETED # 53, SHEETS 2 & 3	SLJ	01/05/07	DJW	07013853
Q	MYE'08: ADDED CONSOLE CVR OPT, ITEMS 55 & 56 WITH DESCRIPTION SHTS 2 & 3	SDT	04/16/07	RA	07044159
R	NOTE #3 ADDED	TKJ	04/27/07	AVM	07044222



Ⓚ \* TB: USES ITEMS 12, 15, & 16 AT THESE LOCATIONS.  
 \* DT: USES ITEM 13 AT THESE LOCATIONS.

INTERPRET DIMENSIONS AND TOLERANCES PER ANSI Y 14.5 UNLESS OTHERWISE SPECIFIED DIMENSIONS ARE IN INCHES.  
 TOLERANCES: ANGLES = ± .5° .XXX = ± .010  
 .X = ± .1 .XX = ± .03 X = ± 1/16  
 DO NOT SCALE DRAWING



CHECKED: RA	DATE: 1/14/02	DRAWN: H READ	DATE: 12/07/01	SCALE: NONE	BOAT MODEL	MOLD NO.
APPD: KR	DATE: 1/14/02	DWG. TITLE:		2700R		
DESIGN: L. SCHOLZ	DATE: 1/14/02	T-TOP ASSEMBLY AND CANVAS INSTALLATION			INIT. REL. ECN NO:	DWG. NO:
INT. ENG: M. GATICA	DATE: 2/4/02				010624	08401
					SHT. NO.	1 of 3

THIS DOCUMENT IS THE PROPERTY OF BOSTON WHALER, INC. MFG. DEPT., EDGEWATER, FLORIDA. ALL RIGHTS ARE RESERVED. THIS DOCUMENT AND INFORMATION CONTAINED MUST NOT BE COPIED OR DISCLOSED TO OTHERS WITHOUT WRITTEN PERMISSION OF BOSTON WHALER, INC.

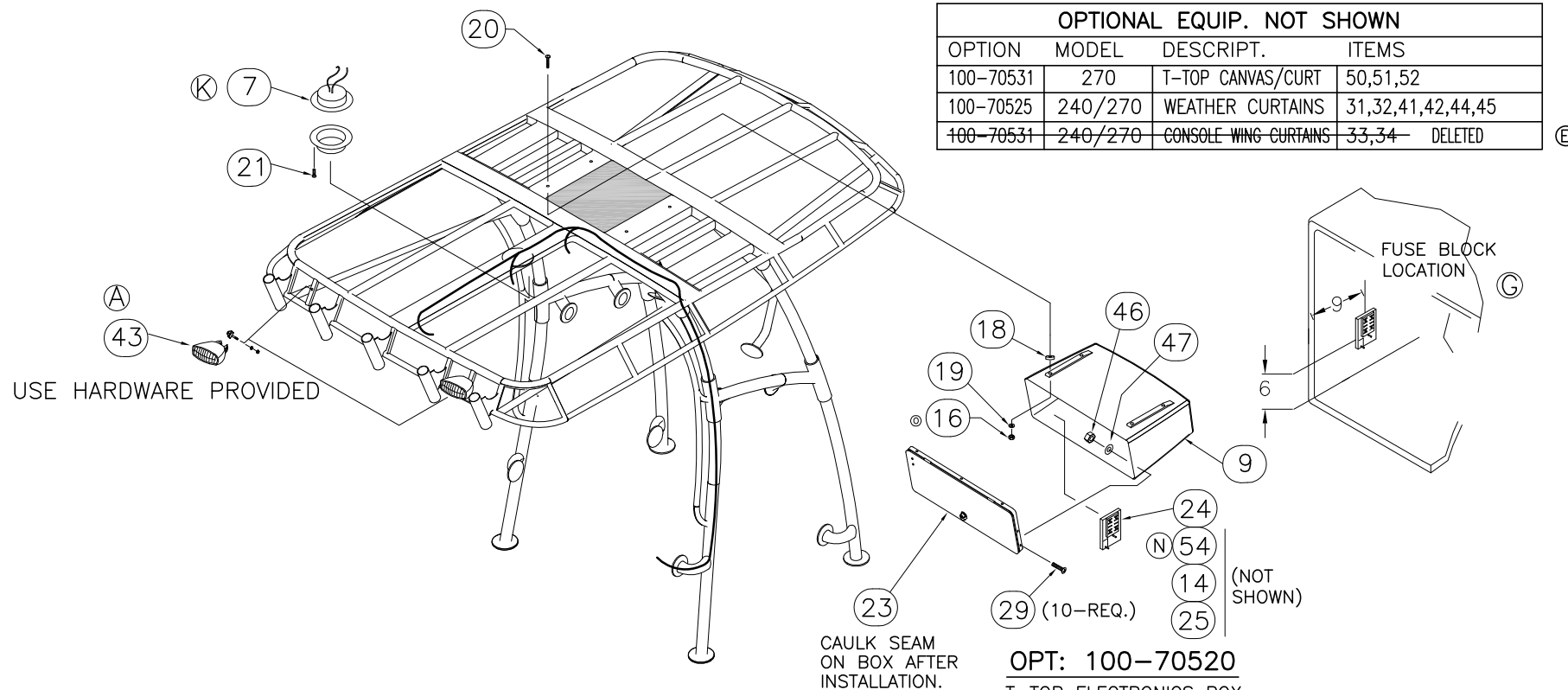
DWG. NO:  
08401

REV.  
R

CURRENT ECD  
07044222

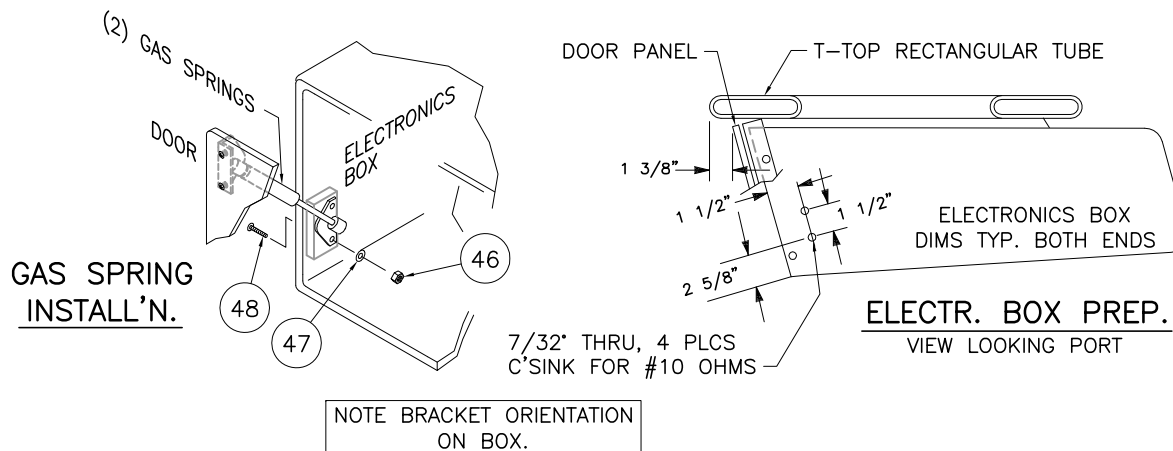
NOTES:

OPTIONAL EQUIP. NOT SHOWN			
OPTION	MODEL	DESCRIPT.	ITEMS
100-70531	270	T-TOP CANVAS/CURT	50,51,52
100-70525	240/270	WEATHER CURTAINS	31,32,41,42,44,45
100-70531	240/270	CONSOLE WING CURTAINS	33,34 DELETED



(K) (NOT SHOWN)

OPT:100-70362	(35)	(36)
LEANING POST W/COOLER COVER		
OPT:100-70448	(37)	(38)
LEANING POST W/DELUXE PREP STATION		
OPT:100-70505	(55)	(56) (Q)
CONSOLE COVER		



THIS DOCUMENT IS THE PROPERTY OF BOSTON WHALER, INC. MFG. DEPT. EDGEWATER, FLORIDA. ALL RIGHTS ARE RESERVED. THIS DOCUMENT AND INFORMATION CONTAINED MUST NOT BE COPIED OR DISCLOSED TO OTHERS WITHOUT WRITTEN PERMISSION OF BOSTON WHALER, INC.

DWG. NO:  
08401

REV. R  
CURRENT ECD  
07044222

NOTES:

# PARTS LIST

ITEM	QTY.		U/M	DESCRIPTION	BWI NO.
	STD.	OPT.			
Ⓚⓔ 1	-	1	EA.	FRAME, BW240/2700R-05 T-TOP BRUSHED ALUM	1770965
ⓕ 2	-	4	EA.	SCREW, MACHINE #8-32 x 1" POH SC	1008481
Ⓚ 3	-	1	PR.	OUTRIGGERS, TELESCOPING 15'SILV/SILV W/BAG	1775383
4	-	1	EA.	OUTRIGGERS, RIGGING KIT PREMIUM BLK	1683760
Ⓛ 5	-	1	PR.	OUTRIGGERS, GRAND SLAM - TOP MNT ADJ '06	1806617
6	-	1	EA.	BOX, ABS BW-02 HORN/ LIGHT CVR BLK	1689758
Ⓚ 7	-	1	EA.	LIGHT, SGL DOME FLUSH MT SS WHT/RED W/SW	1761590
8	-	1	EA.	LIGHT, NAV MASTHEAD COMBO VERT MT	1122563
9	-	1	EA.	T-TOP ELECTRONICS BOX	22-K083-00
Ⓚ 10	-	21	EA.	NUT, ACORN #1/4-20 SC	1357813
Ⓚ 11	-	21	EA.	WASHER, LOCK/SPLIT 1/4" SC	1260595
Ⓚ 12	-	21	EA.	WASHER, FENDER 1/4" x 1.25" SC	1260678
Ⓚ 13	-	46	EA.	SCREW, MACHINE #1/4-20 x 1.25" PPH SC	1260975
14	-	2	EA.	SCREW, MACHINE #8-32 x 1.25" PTH SC	1008721
Ⓚⓐ 15	-	28	EA.	SCREW, MACHINE #1/4-20 X 1.75" PPH SC	1008606
ⓐ 16	-	4	EA.	NUT, LOCK #1/4-20 SC STD PATT	1009786
17	-	1	EA.	HORN, COMBO HORN/ LIGHT	1689767
18	-	4	EA.	BUMPER, BLACK	1039239
19	-	4	EA.	WASHER, FLAT #1/4" SC	1260769
20	-	4	EA.	SCREW, CAP #1/4-20 X 1.25" HEX HD SC	1669852
Ⓚ 21	-	2	EA.	SCREW, TAPPING #8A X 5/8" PTH SC	1010925
ⓐ 22	-	4	EA.	SCREW, TAPPING #6A X 1/2" PTH SC	1008796
23	-	1	EA.	DOOR, HDPE/PLEX BW2700R T-TOP ELEC BOX W/FRAME	1689901
24	-	1	EA.	FUSE BLOCK, 10-GANG BLADE-TYPE W/BLANK LABELS	1688102
25	-	2	EA.	NUT, LOCK 8-32 SC	1009927
ⓐ 26	-	-	-	-	-
ⓐⓑ 27	-	-	EA.	CANVAS, BW2400R-04 LEAN POST W/L'WELL CVR BLK	1753131
ⓐⓑ 28	-	-	EA.	CANVAS, BW-02 LEAN POST W/L'WELL CVR BLUE	1691141
ⓐⓑ 29	-	10	EA.	SCREW, MACHINE #10-24 X 3/4" POH SC	1008440
ⓑ 30	-	-	-	-	-
ⓕ 31	-	1	EA.	CANVAS, BW240/2700R-04 T-TOP VISOR BLK	1753109
ⓕ 32	-	1	EA.	CANVAS, BW2700R-03 T-TOP VISOR BLUE	1732950
ⓕ 33	-	1	EA.	CANVAS, BW2700R-02 CNSL WING CURT SET RED	1683536
ⓕ 34	-	1	EA.	CANVAS, BW2700R-02 CNSL WING CURT SET BLUE	1683537
35	-	1	EA.	CANVAS, BW240/2700R-04 L/P W/COOLER CVR BLK	1753106
36	-	1	EA.	CANVAS, BW2700R-02 L/P W/COOLER CVR BLUE	1689246
37	-	1	EA.	CANVAS, BW2700R-04 PREP STA/L/P CVR BLK	1753111
38	-	1	EA.	CANVAS, BW2700R-02 PREP STA/L/P CVR BLUE	1689244
ⓕ 39	-	1	EA.	CANVAS, BW240/2700R-04 T-TOP CVR BLK	1753107
ⓕ 40	-	1	EA.	CANVAS, BW240/2700R-03 T-TOP CVR BLUE	1732954
ⓕ 41	-	1	EA.	CANVAS, BW240/2700R-04 T-TOP SIDE CURT ST BLK	1753110
ⓕ 42	-	1	EA.	CANVAS, BW240/2700R-03 T-TOP SIDE CURT ST BLU	1732952
ⓐⓐ 43	-	2	EA.	SPOTLIGHT, HALOGEN 12V FLOOD 55W WHT	1885625
ⓐ 44	-	1	EA.	CANVAS, BW240/2700R-04 VAL T-TOP BLK	1753108
ⓐ 45	-	1	EA.	CANVAS, BW2700R-02 VAL T-TOP BLUE	1690186
ⓑ 46	-	14	EA.	NUT, HEX NYLON LOCK #10-24 SC	1007772
ⓑ 47	-	14	EA.	WASHER, FLAT #10 SC	1260751
ⓑ 48	-	4	EA.	SCREW, MACHINE #10-24 X 1" POH SC	1010446
ⓑ 49	-	1	EA.	CANVAS, BW2700R-04 T-TOP CVR WHT	1753112
ⓑ 50	-	1	EA.	CANVAS, BW2700R-04 VAL T-TOP WHT	1753113
ⓑ 51	-	1	EA.	CANVAS, BW2700R-04 T-TOP VISOR WHT	1753114
ⓑ 52	-	1	EA.	CANVAS, BW2700R-04 T-TOP SIDE CURT ST WHT	1753115
ⓐⓑ 53	-	2	EA.	BOLT, CARRIAGE #5/16 X 1.5" SC	1755436
ⓑ 54	-	1	EA.	BOOT, PVC TERM INSUL CAP RED	1689904
ⓐ 55	-	1	EA.	CANVAS, BW 240/2700R-08 CONSOLE CVR BLK	1894950
ⓐ 56	-	1	EA.	CANVAS, BW 240/2700R-08 CONSOLE CVR BLUE	1894951

MOLD NO.  
BOAT MODEL  
2700R

SCALE: NONE  
DATE: 12/07/01

DRAWN: H READ  
DWG. TITLE:  
TTP ASSEMBLY AND CANVAS INSTALLATION

INTERPRET DIMENSIONS AND TOLERANCES PER ANSI Y 14.5 UNLESS OTHERWISE SPECIFIED DIMENSIONS ARE IN INCHES.  
TOLERANCES: ANGLES = ± .5°  
XXX = ± .010  
XX = ± .03  
X = ± 1/16  
DO NOT SCALE DRAWING



INIT. REL. ECN NO: 010624  
DWG. NO: 08401  
SHT. NO: 3 of 3



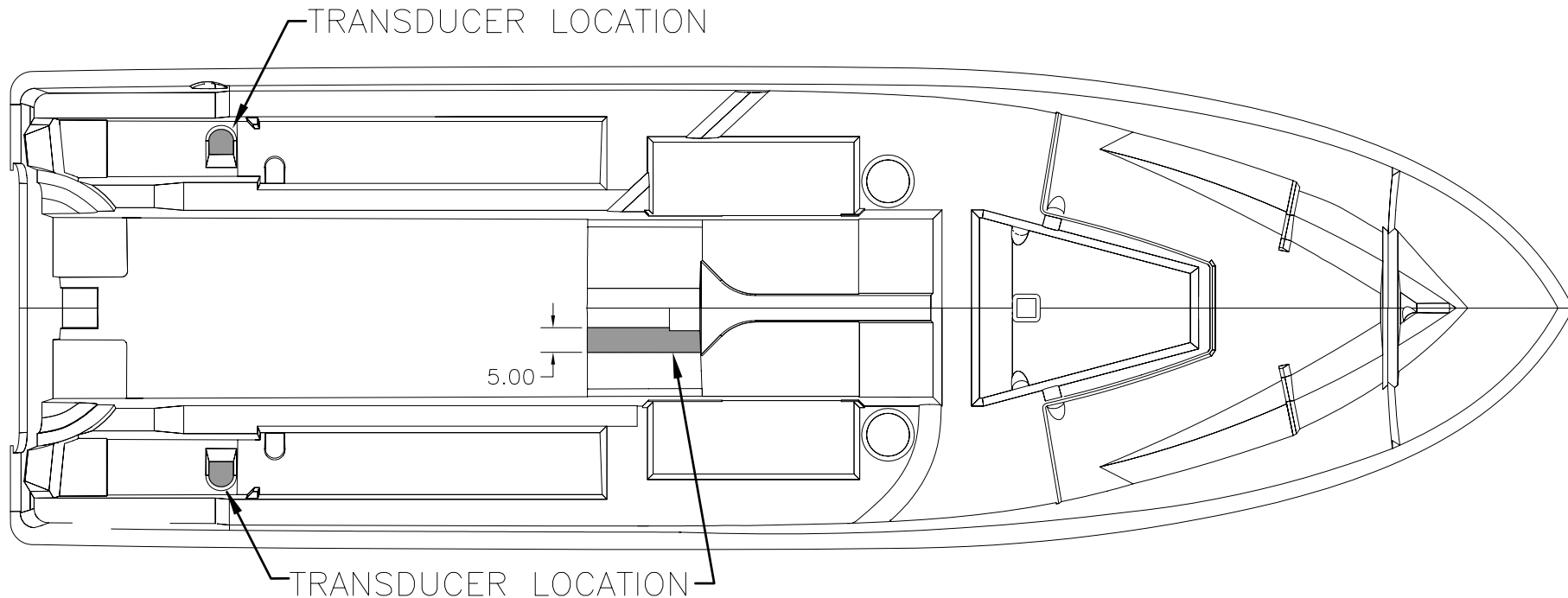
THIS DOCUMENT IS THE PROPERTY OF BOSTON WHALER, INC. MFG. DEPT., EDGEWATER, FLORIDA. ALL RIGHTS ARE RESERVED. THIS DOCUMENT AND INFORMATION CONTAINED MUST NOT BE COPIED OR DISCLOSED TO OTHERS WITHOUT WRITTEN PERMISSION OF BOSTON WHALER, INC.

DWG. NO: <b>1683143</b>	REV. <b>A</b>	CURRENT ECD <b>050635</b>
----------------------------	------------------	------------------------------

REVISIONS					
REV.	DESCR.	BY	DATE	APPVD.	ECN NO.
A	MODIFY DRAWING BORDER TO AN ATTRIBUTED BORDER	TS	09/27/05	AVM	050635

**NOTES:**

1. X



INTERPRET DIMENSIONS AND TOLERANCES PER ANSI Y 14.5 UNLESS OTHERWISE SPECIFIED DIMENSIONS ARE IN INCHES.  
 TOLERANCES: ANGLES = ± .5°    .XXX = ± .010  
                   .X = ± .1         .X = ± 1/16  
                   .XX = ± .03

DO NOT SCALE DRAWING



CHECKED: RA	DATE: 02/27/02	DRAWN: HAL READ	DATE: 12/18/01	SCALE: NONE	BOAT MODEL	MOLD NO.
APPD: KR	DATE: 02/27/02	DWG. TITLE: DIAGRAM, TRANSDUCER LOCATION BW2700R-02			INIT. REL. ECN NO: 010624	DWG. NO: 1683143
DESIGN: LS	DATE: 02/27/02				SHT. NO. 1 OF 1	
INT. ENG: MG	DATE: 02/27/02					

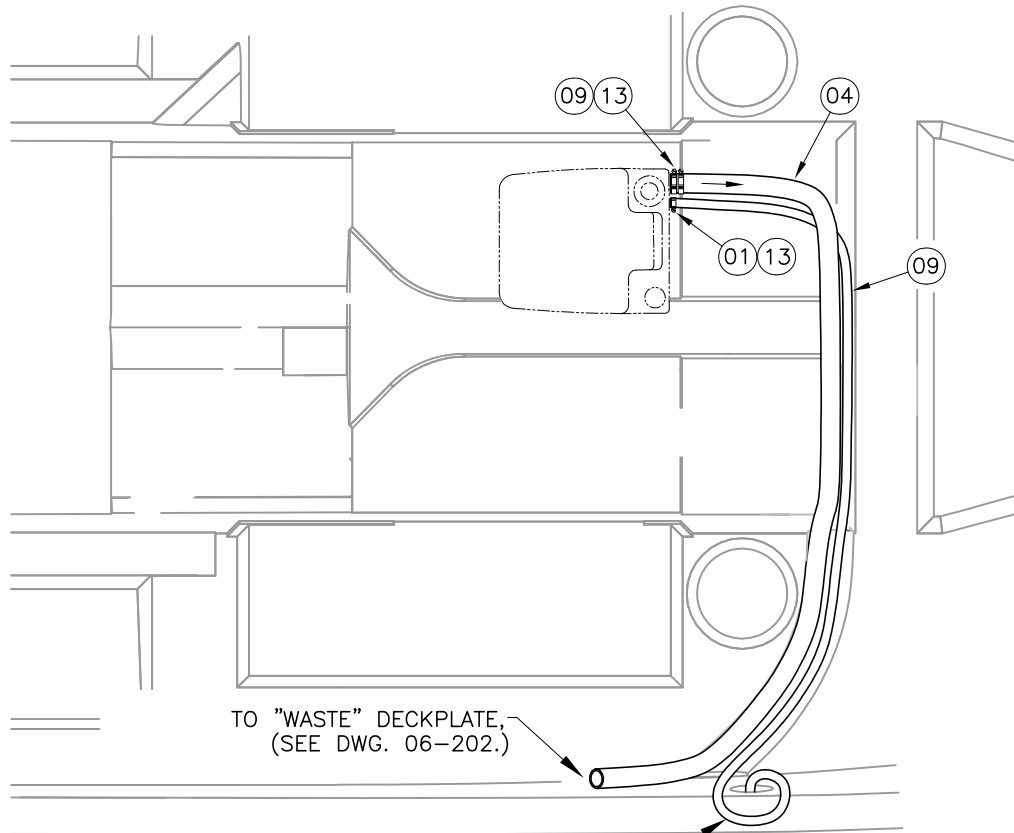
THIS DOCUMENT IS THE PROPERTY OF BOSTON WHALER, INC. MFG. DEPT., EDGEWATER, FLORIDA. ALL RIGHTS ARE RESERVED. THIS DOCUMENT AND INFORMATION CONTAINED MUST NOT BE COPIED OR DISCLOSED TO OTHERS WITHOUT WRITTEN PERMISSION OF BOSTON WHALER, INC.

DWG. NO: 08203 REV. K CURRENT ECD 060228

NOTES:

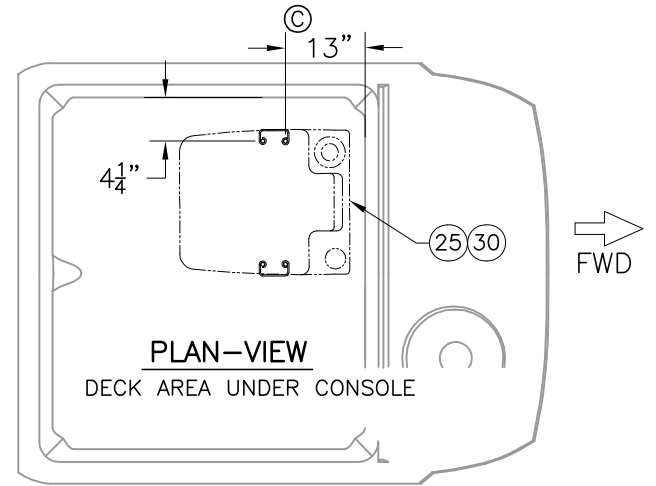
1. REFER TO DWG. 06-101 FOR ALL THRU-HULL LOCATIONS.
2. REFER TO DWG. 01-251 FOR ALL HOSE LENGTHS.
3. HOSE ROUTING SHALL BE OPTIMIZED AT INSTALLATION TO CLEAR ALL DECK CONTACT POINTS.
4. HOSE SUPPORT AREAS SHALL NOT EXCEED 14" CTRS. EXCEPT WHERE SUPPORTED IN A TROUGH.

REVISIONS					
REV.	DESCR.	BY	DATE	APPVD.	ECN NO.
H	MYE '06: ADDED NOTE TO SHTS 2 & 3; #10 WAS 0581355; #18 QTY WAS 6,6,6	MRZ	04/07/05	MG	050340
I	CHANGED P/N# & DESCRIPTION ITEM 24, ADDED ITEMS 38 & 39, SHEETS 1, 4 & 5.	SLJ	08/01/05	ME	050754
J	CHANGED P/N# & DESCRIPTION ITEM 24, 38 & 39, SHEETS 1, 4 & 5.	SLJ	09/21/05	ME	050840
K	MODIFY DRAWING BORDER TO AN ATTRIBUTED BORDER	TS	02/27/06	AVM	060228

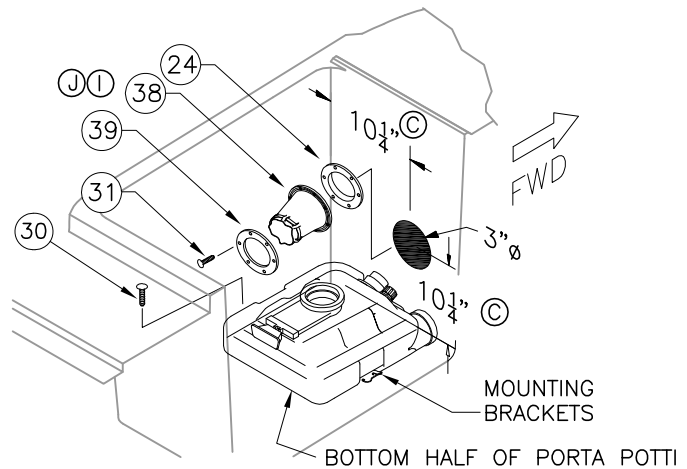


TO "WASTE" DECKPLATE,  
(SEE DWG. 06-202.)

WASTE VENT HOSE,  
(SEE DWG. 06-101 FOR VENT FTG.)



PLAN-VIEW  
DECK AREA UNDER CONSOLE



PLAN-VIEW  
STD. WASTE SYSTEM

MOUNTING BRACKETS  
BOTTOM HALF OF PORTA POTTI

INTERPRET DIMENSIONS AND TOLERANCES PER ANSI Y 14.5 UNLESS OTHERWISE SPECIFIED DIMENSIONS ARE IN INCHES.  
TOLERANCES: ANGLES = ± .5' .XXX = ± .010  
.X = ± .1 .XX = ± .03 X = ± 1/16  
DO NOT SCALE DRAWING



CHECKED: R. AVILA	DATE: 10/18/01	DRAWN: H READ	DATE: 10/01/01	SCALE: NONE	BOAT MODEL	MOLD NO.
APPD: K. RANIERI	DATE: 10/20/01	DWG. TITLE:			2700R	
DESIGN: L. SCHOLZ	DATE: 10/22/01	WASTE SYSTEM INSTALLATION			INIT. REL. ECN NO:	DWG. NO:
INT. ENG: M. GATICA	DATE: 1/17/02				010624	08203
					SHT. NO.	
					1	OF 5

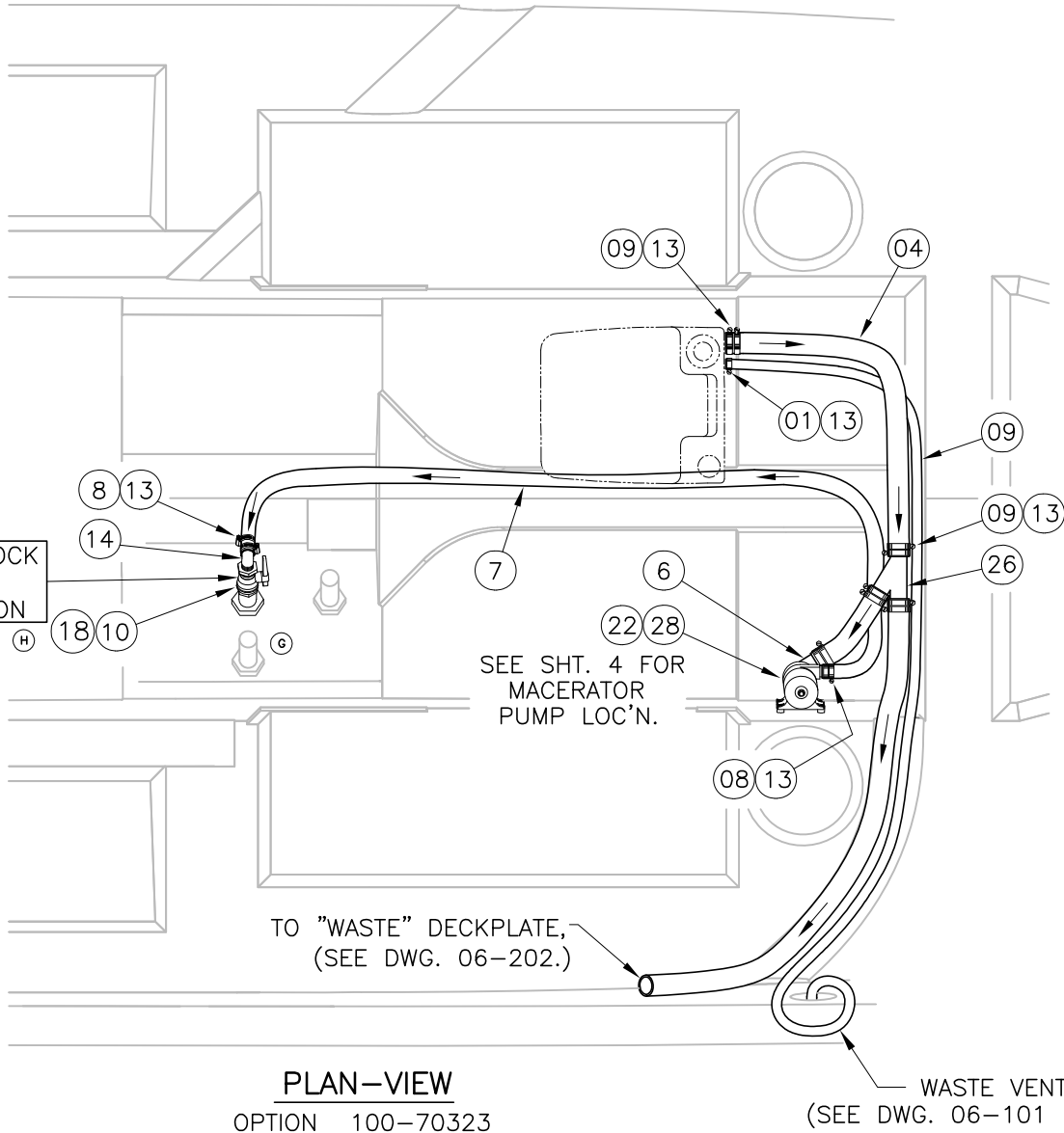
THIS DOCUMENT IS THE PROPERTY OF BOSTON WHALER, INC. MFG. DEPT., EDGEWATER, FLORIDA. ALL RIGHTS ARE RESERVED. THIS DOCUMENT AND INFORMATION CONTAINED MUST NOT BE COPIED OR DISCLOSED TO OTHERS WITHOUT WRITTEN PERMISSION OF BOSTON WHALER, INC.

DWG. NO:  
08203

REV.  
K

CURRENT ECD  
010624

NOTES:

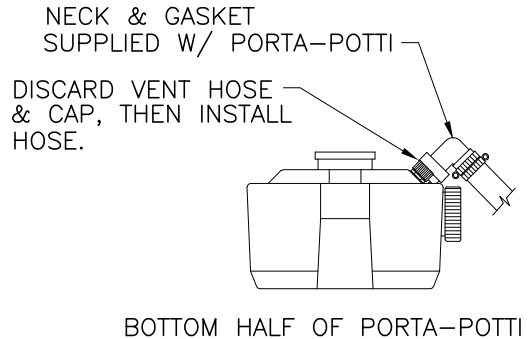
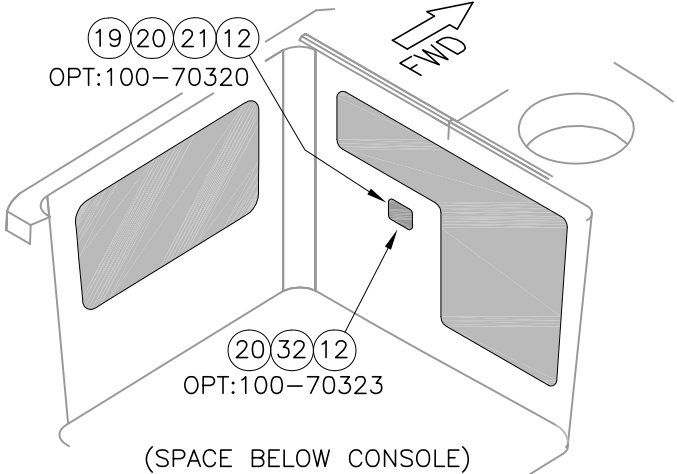


TIE WRAP LOCK TO OFF POSITION

SEE SHT. 4 FOR MACERATOR PUMP LOC'N.

TO "WASTE" DECKPLATE, (SEE DWG. 06-202.)

WASTE VENT HOSE, (SEE DWG. 06-101 FOR VENT FTG.)



**PLAN-VIEW**

OPTION 100-70323  
PORTA POTTI W/ PUMPOUT & O/B DISCHARGE



INTERPRET DIMENSIONS AND TOLERANCES PER ANSI Y 14.5 UNLESS OTHERWISE SPECIFIED DIMENSIONS ARE IN INCHES.  
TOLERANCES: ANGLES = ± .5° .XXX = ± .010  
.X = ± .1 X = ± 1/16  
.XX = ± .03  
DO NOT SCALE DRAWING

DRAWN: H READ DATE: 10/01/01 SCALE: NONE  
DWG. TITLE: WASTE SYSTEM INSTALLATION

BOAT MODEL 2700R  
INIT. REL. ECN NO: 010624

MOLD NO.  
DWG. NO: 08203

SHT. NO. 2 OF 5

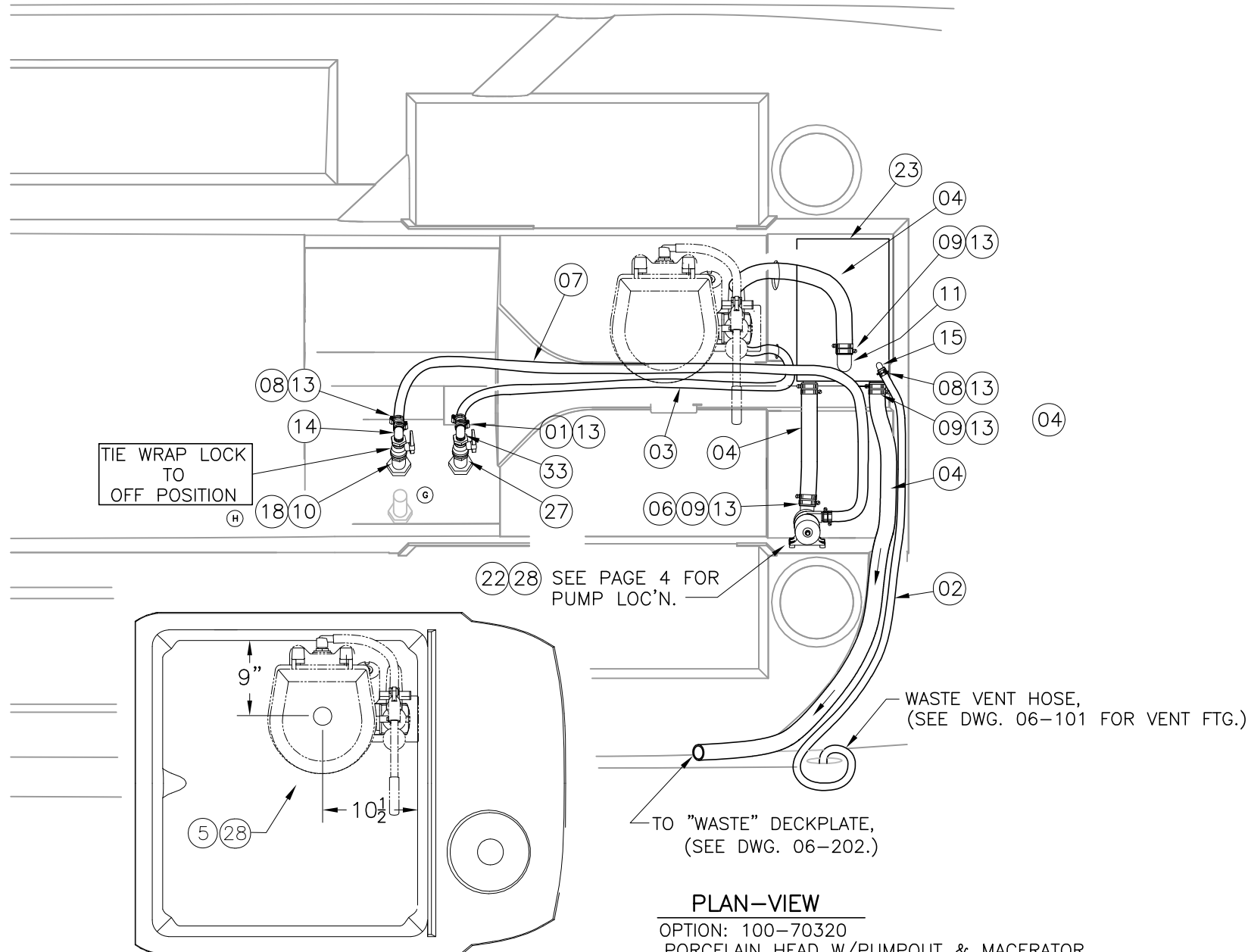
THIS DOCUMENT IS THE PROPERTY OF BOSTON WHALER, INC. MFG. DEPT., EDGEWATER, FLORIDA. ALL RIGHTS ARE RESERVED. THIS DOCUMENT AND INFORMATION CONTAINED MUST NOT BE COPIED OR DISCLOSED TO OTHERS WITHOUT WRITTEN PERMISSION OF BOSTON WHALER, INC.

DWG. NO:  
08203

REV.  
K

CURRENT ECD  
010624

NOTES:



SEE PAGE 4 FOR PUMP LOC'N.

WASTE VENT HOSE,  
(SEE DWG. 06-101 FOR VENT FTG.)

TO "WASTE" DECKPLATE,  
(SEE DWG. 06-202.)

**PLAN-VIEW**

OPTION: 100-70320  
PORCELAIN HEAD W/PUMPOUT & MACERATOR

PLAN-VIEW INSIDE CONSOLE AREA



INTERPRET DIMENSIONS AND TOLERANCES PER ANSI Y 14.5 UNLESS OTHERWISE SPECIFIED DIMENSIONS ARE IN INCHES.  
TOLERANCES: ANGLES = ± .5° .XXX = ± .010  
.X = ± .1 X = ± 1/16  
.XX = ± .03  
DO NOT SCALE DRAWING

DRAWN: H READ	DATE: 10/01/01	SCALE: NONE	BOAT MODEL 2700R	MOLD NO.
DWG. TITLE: WASTE SYSTEM INSTALLATION			INIT. REL. ECN NO: 010624	DWG. NO: 08203
				SHT. NO. 3 of 5

THIS DOCUMENT IS THE PROPERTY OF BOSTON WHALER, INC. MFG. DEPT., EDGEWATER, FLORIDA. ALL RIGHTS ARE RESERVED. THIS DOCUMENT AND INFORMATION CONTAINED MUST NOT BE COPIED OR DISCLOSED TO OTHERS WITHOUT WRITTEN PERMISSION OF BOSTON WHALER, INC.

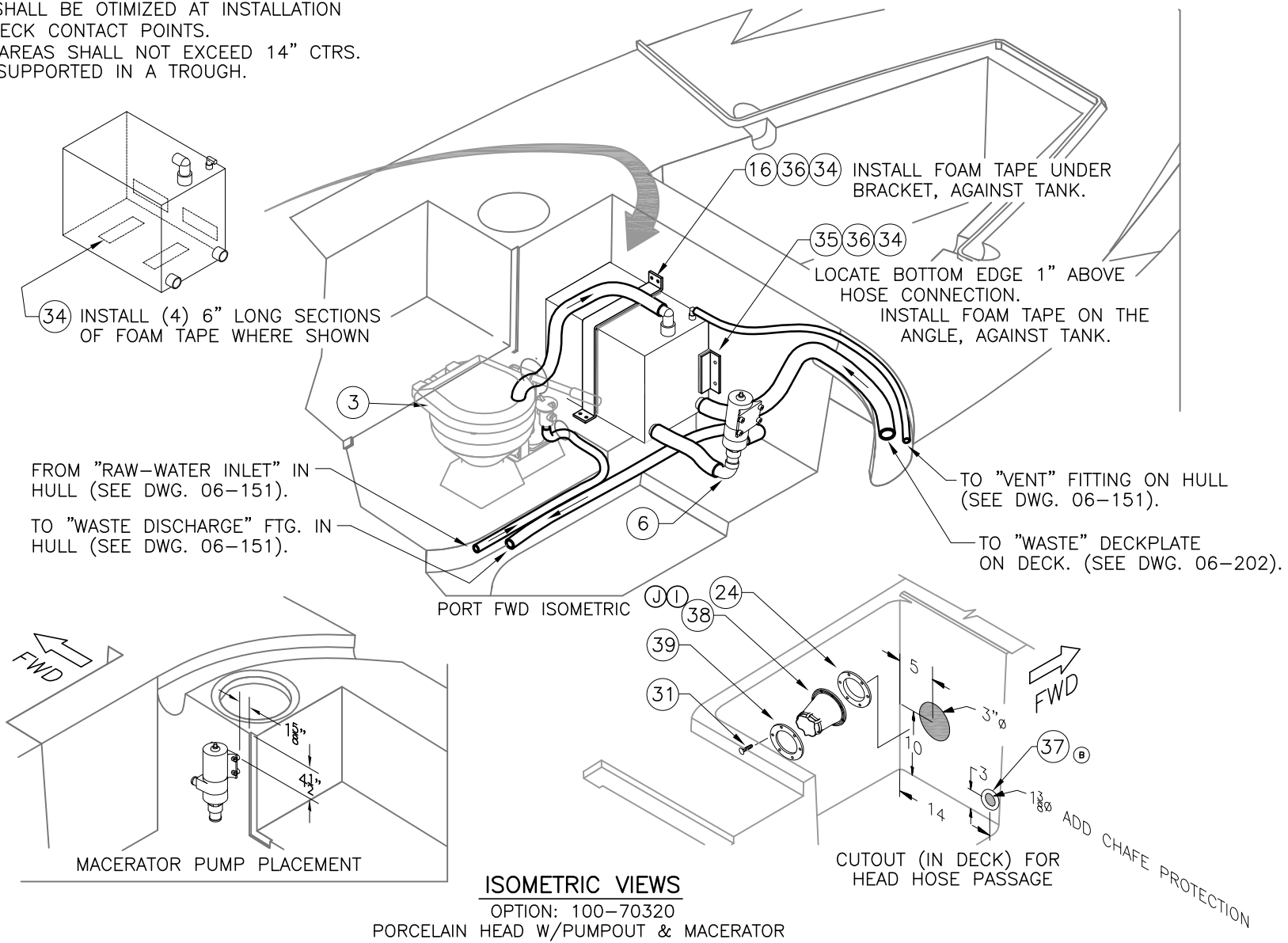
DWG. NO:  
08203

REV.  
K

CURRENT ECD  
010624

NOTES:

REFER TO DWG. 06-101 FOR ALL THRU-HULL LOCATIONS.  
REFER TO DWG. 01-251 FOR ALL HOSE LENGTHS.  
HOSE ROUTING SHALL BE OPTIMIZED AT INSTALLATION TO CLEAR ALL DECK CONTACT POINTS.  
HOSE SUPPORT AREAS SHALL NOT EXCEED 14" CTRS. EXCEPT WHERE SUPPORTED IN A TROUGH.



ISOMETRIC VIEWS

OPTION: 100-70320  
PORCELAIN HEAD W/PUMPOUT & MACERATOR



INTERPRET DIMENSIONS AND TOLERANCES PER ANSI Y 14.5 UNLESS OTHERWISE SPECIFIED DIMENSIONS ARE IN INCHES.  
TOLERANCES: ANGLES = ± .5° .XXX = ± .010  
.X = ± .1 X = ± 1/16  
.XX = ± .03  
DO NOT SCALE DRAWING

DRAWN: H READ DATE: 10/01/01 SCALE: NONE  
DWG. TITLE: WASTE SYSTEM INSTALLATION

BOAT MODEL: 2700R  
INIT. REL. ECN NO: 010624

MOLD NO.  
DWG. NO: 08203

SHT. NO. 4 OF 5

THIS DOCUMENT IS THE PROPERTY OF BOSTON WHALER, INC. MFG. DEPT., EDGEWATER, FLORIDA. ALL RIGHTS ARE RESERVED. THIS DOCUMENT AND INFORMATION CONTAINED MUST NOT BE COPIED OR DISCLOSED TO OTHERS WITHOUT WRITTEN PERMISSION OF BOSTON WHALER, INC.

DWG. NO:  
08203

REV.  
K

CURRENT ECD  
010624

NOTES:

## PARTS LIST

ITEM	QTY.	QTY.	QTY.	U/M	DESCRIPTION	B.W.I. NO.
1	4	4	4	EA.	CLAMP, HOSE #10 1/2"-1 1/8" SS .50	0263954
2				FT.	HOSE, SANI/CHEMICAL TDX 5/8"	0124719
① 3				FT.	HOSE, WATER 3/4" BLK REINF PVC	1042100
4				FT.	HOSE, SANI/SMOOTH WALL 1.5"	0123844
5			1	EA.	HEAD, ELECTRIC 12V	0134825
6		1	1	EA.	ELBOW, PVC 1.5" FPT x 1.5" BARB x 90D	0141515
7				FT.	HOSE, GEN PURPOSE 1"	0196667
8		4	4	EA.	CLAMP, HOSE #12 1/2"-1.25" SS	0123406
9	4	12	12	EA.	CLAMP, HOSE #24 1"-2" SS .505	0256693
10		1	1	EA.	VALVE, MARELON BALL 2-WAY 1" LOCKING	1799576
11			1	EA.	DRAIN, ELBOW 90DEG 1.5"SHORT THREAD X BARB	1675214
12		4	4	EA.	SCREW, TAPPING #4 A x 1/2" PFH SC	1010347
13	8	20	20	EA.	COVER, CLAMP END PROT 1/2"L x .035	0830976
14		1	1	EA.	ELBOW, MARELON 1"MPT x 1" BARB x 90D	0995555
15			1	EA.	ELBOW, MARELON 1/2"MPT x 5/8" BARB 90	0995563
16			1	EA.	STRAP, WASTE TANK BW2700R-02	1688748
17	6	6	6	EA.	TIE, CLIP BLK	1031764
18	6	7	7	EA.	TIE, CABLE 14" LG NYLON BLK	1031780
19			1	EA.	SWITCH, PUSH-BUTTON MOMENTARY W/ CVR	1031814
20		1	1	EA.	SWITCH, WASTE PUMP W/KEY SCREW TRIM	1444074
① 21			1	EA.	PANEL, BW-03 MACERATOR OVB DISCH W/ FLUSH	1727009
① 22		1	1	EA.	PUMP, HEAD SYS MACERATOR 12V	1624451
23			1	EA.	TANK, HOLDING 10 GAL BW270 OR-02	1685927
① 24	1	1	1	EA.	GROMMET, CABLE BOOT 4" BLK	1749738
② 25	1	1		EA.	HEAD, PORTABLE MSD SANI POTTI SLVR	0258749
③ 26		1		EA.	COUPING, PLAS Y 1.5" BLK	1747278
27			1	EA.	VALVE, MARELON BALL 2-WAY 3/4"	0557959
28		4	10	EA.	SCREWS, TAPPING #10A x 1.5" PTH SC	1008747
29			4	EA.	WASHER, FENDER #10 x 1" SC	1260454
30	4	4	4	EA.	SCREW, TAPPING #10A x 1" PTH SC	1008739
③ 31	6	6	6	EA.	SCREW, TAPPING #10A x 3/4" PTH SC	1008762
① 32			1	EA.	PANEL, BW-02 (25A) PORTA-POT W/OVRBD DISCHRG	1718975
33			1	EA.	ELBOW, MARELON 3/4" MPT X 3/4" BARB	0567958
34			5	FT.	TAPE, FOAM NEOPRENE W/3M 9828 3/8"TH X 2"W	1497452
35			1	EA.	BRACKET, PVC 2"x 2"x 1/4"x 6" BW-01	1547280
36			6	EA.	SCREW, TAPPING #14A x 1-1/2" PTH SC	1010909
③ 37			.5	FT.	HOSE, CONDUIT SPLIT 1/2" BLK FLM RETARD	1501782
① 38	1			EA.	BOOT, CABLE 4" BLK	1749736
① 39	1			EA.	BOOT, CABLE RING 4" BLK	1749737

NOT SHOWN

STANDARD  
 OPT: 100-70323  
 OPT: 100-70320



INTERPRET DIMENSIONS AND TOLERANCES PER ANSI Y 14.5 UNLESS OTHERWISE SPECIFIED DIMENSIONS ARE IN INCHES.  
 TOLERANCES: ANGLES = ± .5° .XXX = ± .010  
 .X = ± .1 X = ± 1/16  
 .XX = ± .03 X = ± 1/16  
 DO NOT SCALE DRAWING

DRAWN: H READ DATE: 10/01/01 SCALE: NONE

DWG. TITLE: WASTE SYSTEM INSTALLATION

BOAT MODEL  
2700R

MOLD NO.

INIT. REL. ECN NO:  
010624

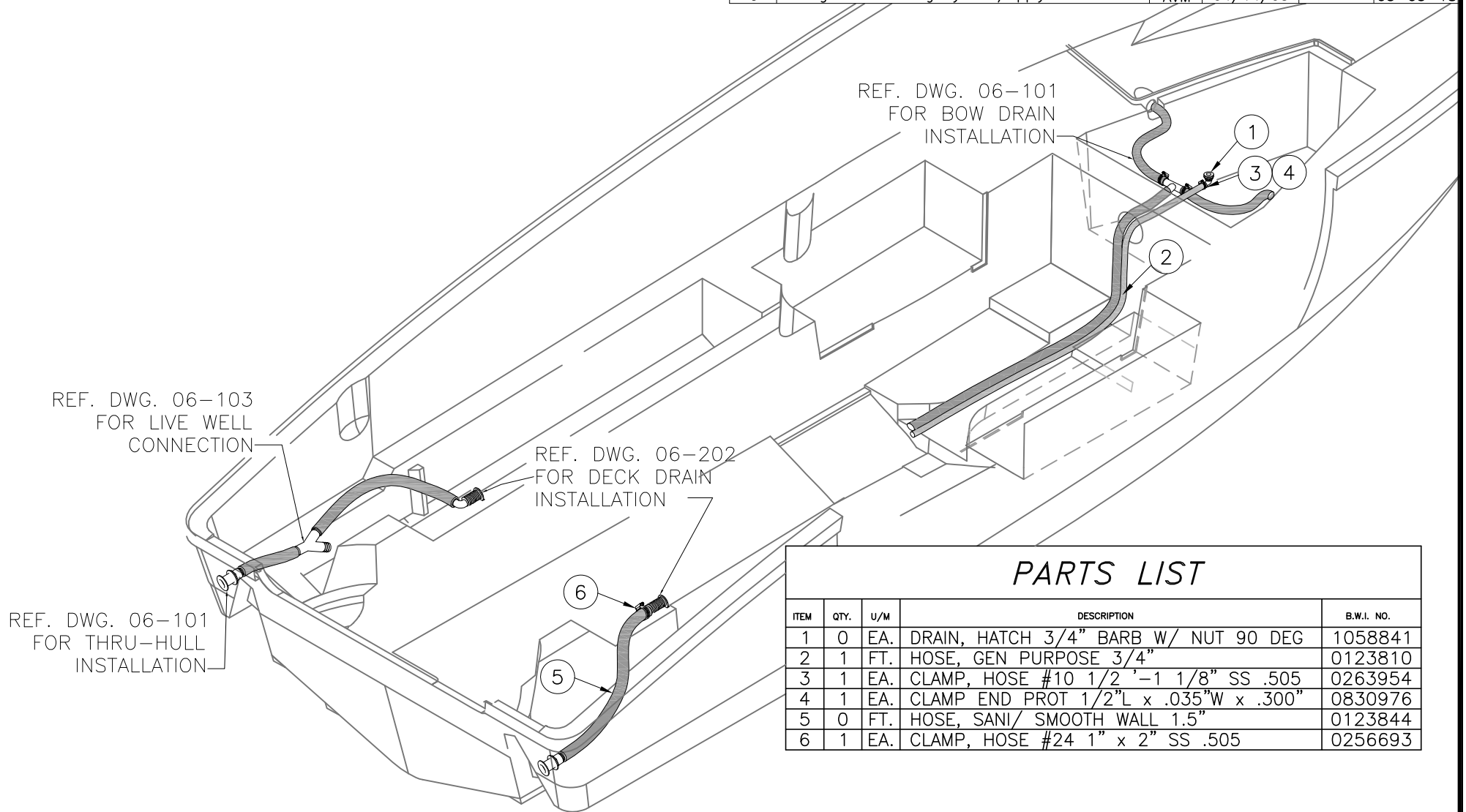
DWG. NO:  
08203

SHT. NO.  
5 of 5

THIS DOCUMENT IS THE PROPERTY OF BOSTON WHALER, INC. Mfg. DEPT. EDGEWATER, FLORIDA. ALL RIGHTS ARE RESERVED. THIS DOCUMENT AND INFORMATION CONTAINED MUST NOT BE COPIED OR DISCLOSED TO OTHERS WITHOUT WRITTEN PERMISSION OF BOSTON WHALER, INC.

**NOTES:**

REVISIONS					
REV.	DESCR.	BY	DATE	APPVD.	ECN NO.
B	DIMENSIONS ADDED TO ADHESIVE AREA.	RD	01/10/02		01-06-24
C	Changed Numbering System/Apply Att.Border.	AVM	04/14/03		03-03-18



**PARTS LIST**

ITEM	QTY.	U/M	DESCRIPTION	B.W.I. NO.
1	0	EA.	DRAIN, HATCH 3/4" BARB W/ NUT 90 DEG	1058841
2	1	FT.	HOSE, GEN PURPOSE 3/4"	0123810
3	1	EA.	CLAMP, HOSE #10 1/2' -1 1/8" SS .505	0263954
4	1	EA.	CLAMP END PROT 1/2"L x .035"W x .300"	0830976
5	0	FT.	HOSE, SANI/ SMOOTH WALL 1.5"	0123844
6	1	EA.	CLAMP, HOSE #24 1" x 2" SS .505	0256693



CHECKED:	DATE:	FILENAME: 066012700R	BOAT MODEL	BOAT MODEL
APPD:	DATE:	DRAWN: HREAD	DATE: 11/12/01	SCALE: NONE
DESIGN:	DATE:	DWG. TITLE: Water Drainage Diagram	INIT. REL. ECN NO: 010624	DWG. NO: 06601
INT. ENG:	DATE:			SHT. NO. 1 of 1

THIS DOCUMENT IS THE PROPERTY OF BOSTON WHALER, INC. MFG. DEPT., EDGEWATER, FLORIDA. ALL RIGHTS ARE RESERVED. THIS DOCUMENT AND INFORMATION CONTAINED MUST NOT BE COPIED OR DISCLOSED TO OTHERS WITHOUT WRITTEN PERMISSION OF BOSTON WHALER, INC.

DWG. NO: 07208 REV. H CURRENT ECD 060228

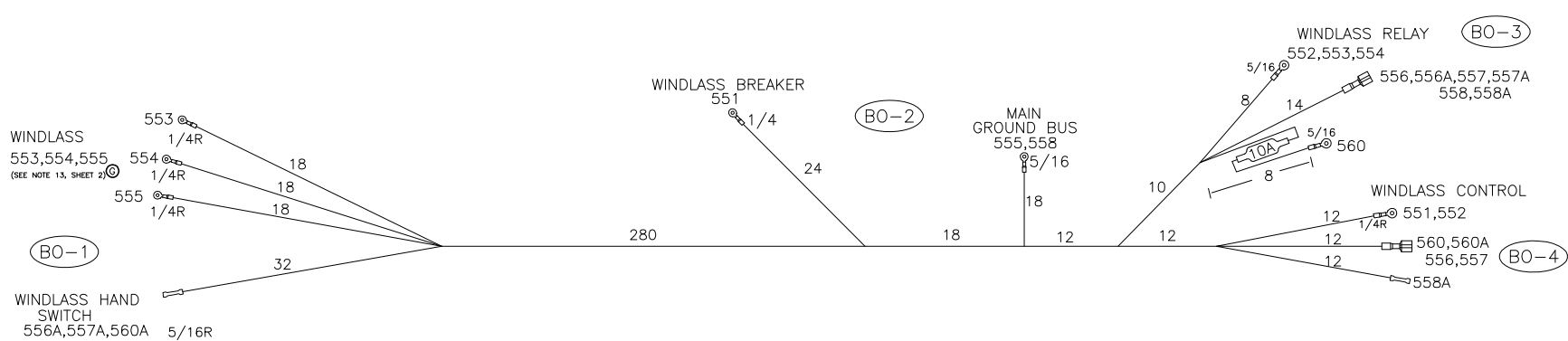
NOTES:

1. ALL QUICK DISCONNECT CONNECTORS ARE .25"
2. ALL RING CONNECTORS ARE #10 UNLESS OTHERWISE SPECIFIED
3. ALL POSITIVE WIRE CONNECTIONS TO THE BATTERY OR BATTERY SWITCH MUST BE CONTAINED IN CHAFE PROTECTION FROM THE CONNECTION POINT TO THE BREAKER/S.

REVISIONS					
REV.	DESCR.	BY	DATE	APPVD.	ECN NO.
D	Changed Numbering System/Apply Att.Border.	AVM	05/21/03	ZAC	030318
E	CHANGED WIRE COLOR TO MATCH VENDOR COLOR CODE, SHEET 1.	SL	06/09/03	ZAC	040615
F	UNDO WIRE COLOR CHANGES FROM REVISION E.	SL	07/12/04	ME	041009
G	SEPARATE WIRES AT WINDLASS & ADDED NOTE TO SEE NOTE 13, ALSO "LOOM SEPARATELY".	SL	03/28/05	ME	050327
H	MODIFY DRAWING BORDER TO AN ATTRIBUTED BORDER	TS	02/24/06	AVM	060228

WIRE #	AWG	COLOR	FUNCTION	FROM	BO	TO	BO	LENGTH
551	4	RED	WINDLASS MAIN	WINDLASS BREAKER	2	WINDLASS CONTROL	4	6'6"
552	4	RED	WINDLASS MAIN	WINDLASS CONTROL	4	WINDLASS RELAY	3	3'6"
553	4	RED	WINDLASS	WINDLASS RELAY	3	WINDLASS	1	28'10"
554	4	RED	WINDLASS	WINDLASS RELAY	3	WINDLASS	1	28'10"
555	4	BLK	WINDLASS GROUND	WINDLASS	1	MAIN GROUND BUS	2	27'10"
(F)(E)(B) 556	14	BRN	WINDLASS UP	WINDLASS CONTROL	4	WINDLASS RELAY	3	4'0"
(F)(E)(C)(B) 556A	14	BRN	WINDLASS UP	WINDLASS HAND SWITCH	1	WINDLASS RELAY	3	12'0"
(F)(E)(B) 557	14	BLU	WINDLASS DOWN	WINDLASS CONTROL	4	WINDLASS RELAY	3	4'0"
(F)(E)(C)(B) 557A	14	BLU	WINDLASS DOWN	WINDLASS HAND SWITCH	1	WINDLASS RELAY	3	12'0"
558	14	BLK	WINDLASS RELAY GROUND	WINDLASS RELAY	3	FWD GROUND BUS	2	4'0"
(B) 558A	14	BLK	WINDLASS CONTROL GROUND	WINDLASS CONTROL	4	WINDLASS RELAY	3	4'0"
560	14	RED	WINDLASS CONTROL POWER	WINDLASS RELAY 3 AMP FUSE	3	WINDLASS CONTROL	4	4'2"
(F)(E)(C)(B) 560A	14	RED	WINDLASS HAND SW. POWER	WINDLASS CONTROL	4	WINDLASS HAND SWITCH	1	12'0"
(C)(B) **560B	14	RED	WINDLASS HAND SW. JUMPER	UP SWITCH	---	DOWN SWITCH	---	6"

(F)(E)(B)  
(F)(E)(C)(B)  
(F)(E)(B)  
(F)(E)(C)(B)  
(B)  
(F)(E)(C)(B)  
(C)(B)



INTERPRET DIMENSIONS AND TOLERANCES PER ANSI Y 14.5 UNLESS OTHERWISE SPECIFIED DIMENSIONS ARE IN INCHES.  
 TOLERANCES: ANGLES = ± .5° .XXX = ± .010  
 .X = ± .1 X = ± 1/16  
 .XX = ± .03 X = ± 1/16  
 DO NOT SCALE DRAWING

<p>PRODUCT DEV. &amp; MFG. ENGINEERING GROUP</p>	CHECKED: R.A.	DATE: 01/9/02	DRAWN: R CLIFTON	DATE: 12/10/01	SCALE: NONE	BOAT MODEL	MOLD NO.	
	APPD: R CLIFTON	DATE: 01/9/02	DWG. TITLE: WINDLASS HARNESS CONSTRUCTION			2700R		
	DESIGN: L. SCHOLZ	DATE: 01/9/02				INIT. REL. ECN NO: 010624	DWG. NO: 07208	SHT. NO.
	INT. ENG: M. GATICA	DATE: 01/17/02						1 of 3



THIS DOCUMENT IS THE PROPERTY OF BOSTON WHALER, INC. MFG. DEPT.,  
 EDGEWATER, FLORIDA. ALL RIGHTS ARE RESERVED. THIS DOCUMENT AND  
 INFORMATION CONTAINED MUST NOT BE COPIED OR DISCLOSED TO OTHERS  
 WITHOUT WRITTEN PERMISSION OF BOSTON WHALER, INC.

DWG. NO:  
 07208

REV.  
 H

CURRENT ECD  
 060228

NOTES:

- 1.) WIRES TO BE 105° C, SAE J378/J1128, WITH TYE 2 STRANDING. GROUNDING WIRES TO BE TYPE 3 AND TINNED COPPER.
- 2.) ALL LOW VOLTAGE WIRE INSULATION TO HAVE THE FOLLOWING INFORMATION PRINTED ON IT: A: MANUFACTURER'S NAME  
 B: TEMPERATURE RATING (I.E. 105° C) C; SAE J378/J1127 D: GAUGE (I.E. 10AWG)
- 3.) WIRES TO BE LABELED WITH SPECIFIED WIRE NUMBERS AT BOTH ENDS.
- 4.) BOAT CABLE TO BE 3 CONDUCTOR, TINNED, 105° C DRY, JACKETED, AND MEET UL-1426 SPECIFICATIONS FOR BOAT CABLE.  
 120V CABLE CONDUCTORS TO BE BLACK/WHITE/GREEN WITH A WHT JACKET.  
 220V CABLE CONDUCTORS TO BE BLUE/BROWN/GREEN WITH A TAN JACKET.
- 5.) ALL DIMENSIONS ARE INCHES UNLESS OTHERWISE SPECIFIED.
- 6.) FOR GROUND BUS LOCATIONS WITH A BUS BAR SPECIFIED, TERMINATE WIRES WITH PROPER SIZE ADHESIVE LINED HEAT  
 SHRINK INSULATED RING CONNECTORS.
- 7.) SPEAKER WIRES ARE 16/2, HIGH CONDUCTIVITY COPPER, WITH 90° C CLEAR INSULATION.
- 8.) VHF COAX IS RG-8/X, WITH A 16 AWG STRANDED TINNED COPPER CENTER CONDUCTOR, SOLID POLYETHYLENE INSULATOR, 95% TINNED  
 COPPER BRAIDED SHIELD, WITH A WHITE PVC JACKET.
- 9.) SPLICES TO BE MECHANICALLY CRIMPED AND COVERED WITH ADHESIVE LINED HEAT SHRINK TUBING.
- 10.) SPEEDOMETER TUBING TO BE .148" INSIDE DIA., .050" WALL THICKNESS, 105° C BLACK PVC MATERIAL, 93± SHORE A DUROMETER,  
 TELEFLEX PART NUMBER 5833371.
- 11.) SPOT TAPE HARNESS EVERY 12 TO 14 INCHES.
- 12.) TERMINATION'S SPECIFIED ARE TO BE HEAT SHRINK ADHESIVE SEALED TYPE.
- 13.) SHEATH ENTIRE HARNESS IN FLAME RETARDENT SPLIT LOOM EXPOSING 3" AT THE ENDS OF EACH BREAKOUT.



INTERPRET DIMENSIONS AND TOLERANCES PER ANSI Y 14.5  
 UNLESS OTHERWISE SPECIFIED DIMENSIONS ARE IN INCHES.  
 TOLERANCES: ANGLES = ± .5° .XXX = ± .010  
 .X = ± .1 .XX = ± .03 X  
 X = ± 1/16  
 DO NOT SCALE DRAWING

DRAWN: R CLIFTON

DATE: 12/10/01

SCALE: NONE

DWG. TITLE:  
 WINDLASS HARNESS CONSTRUCTION

BOAT MODEL  
 2700R

MOLD NO.

INIT. REL. ECN NO:  
 010624

DWG. NO:  
 07208

SHT. NO.  
 2 OF 3



THIS DOCUMENT IS THE PROPERTY OF BOSTON WHALER, INC. MFG. DEPT., EDGEWATER, FLORIDA. ALL RIGHTS ARE RESERVED. THIS DOCUMENT AND INFORMATION CONTAINED MUST NOT BE COPIED OR DISCLOSED TO OTHERS WITHOUT WRITTEN PERMISSION OF BOSTON WHALER, INC.

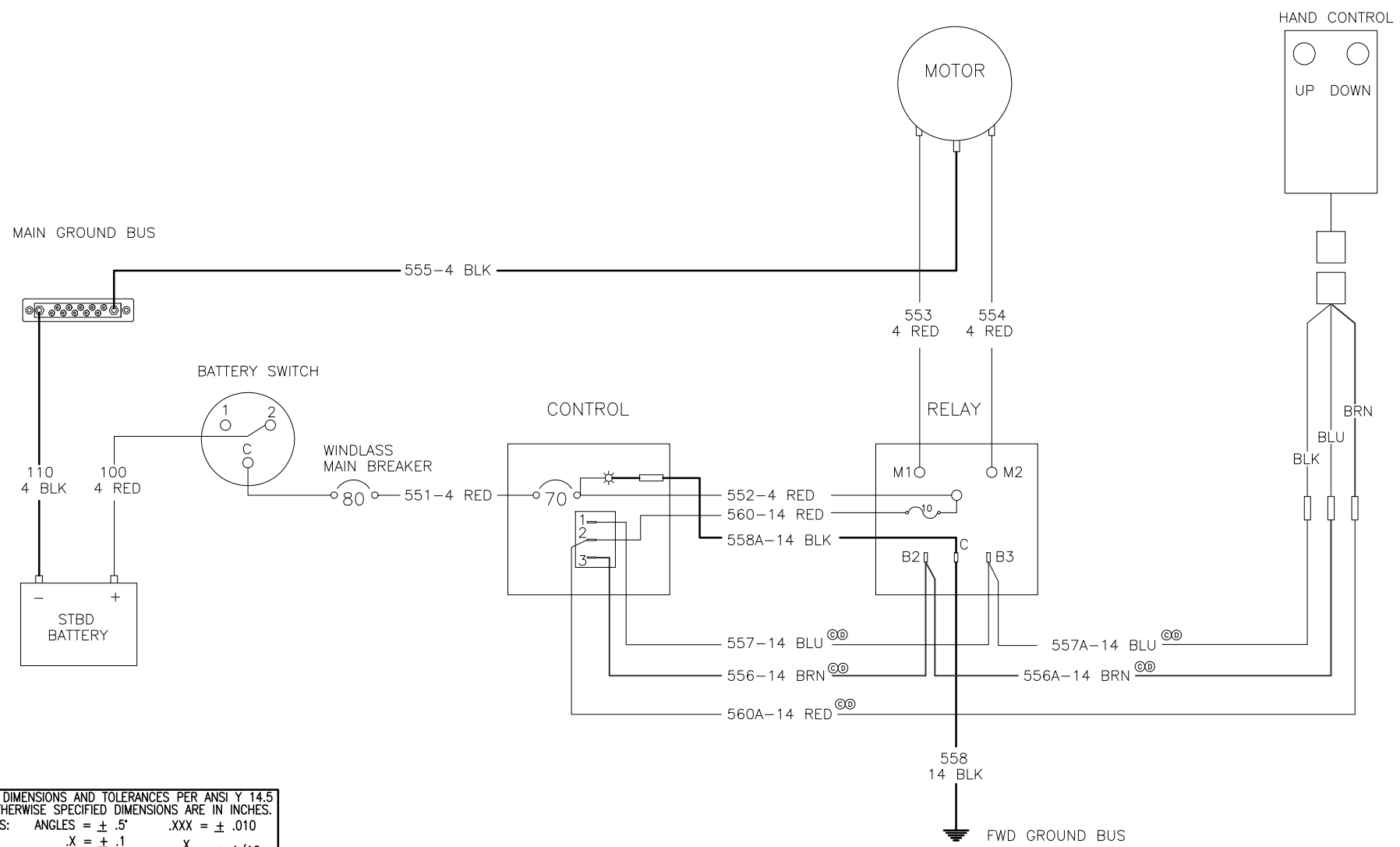
DWG. NO:  
07402

REV.  
E

CURRENT ECD  
060228

NOTES:

REVISIONS					
REV.	DESCR.	BY	DATE	APPVD.	ECN NO.
C	CHANGED WIRE COLORS TO MATCH VENDOR COLOR CODE.	SL	07/12/04	ZAC	040615
D	UNDO WIRE COLOR CODE CHANGE FROM REV. C.	SL	04/04/05	-	041009
E	MODIFY DRAWING BORDER TO AN ATTRIBUTED BORDER	TS	04/06/06	AVM	060228



INTERPRET DIMENSIONS AND TOLERANCES PER ANSI Y 14.5 UNLESS OTHERWISE SPECIFIED DIMENSIONS ARE IN INCHES.  
 TOLERANCES: ANGLES = ± .5' .XXX = ± .010  
 .X = ± .1 .XX = ± .03  
 .XX = ± .03 X/X = ± 1/16  
 DO NOT SCALE DRAWING



CHECKED: RA	DATE: 1/9/02	DRAWN: R. CLIFTON	DATE: 01/03/02	SCALE: NONE	BOAT MODEL 2700R	MOLD NO.
APPD: R. CLIFTON	DATE: 1/9/02	DWG. TITLE: WINDLASS SCHEMATIC			INIT. REL. ECN NO: 010624	DWG. NO: 07402
DESIGN: L. SCHOLZ	DATE: 1/9/02				SHT. NO. 1 of 1	
INT. ENG: MG	DATE: 1/19/02					



THIS DOCUMENT IS THE PROPERTY OF BOSTON WHALER, INC. MFG. DEPT., EDGEWATER, FLORIDA. ALL RIGHTS ARE RESERVED. THIS DOCUMENT AND INFORMATION CONTAINED MUST NOT BE COPIED OR DISCLOSED TO OTHERS WITHOUT WRITTEN PERMISSION OF BOSTON WHALER, INC.

DWG. NO:  
07205

REV.  
OBS

CURRENT ECD  
06103737

<p>PLUG 3 DEUTSCH DT06-12S SOCKETS 0462-215-16141 SECONDARY LOCK W12S BOOT DT12S-BT</p>			
POSITION WIRE#		POSITION WIRE#	
1	212	7	301
2	203	8	303A
3	209	9	304
4	207	10	609
5	207A	11	601
6	300A	12	601A

<p>PLUG 4 DEUTSCH HDP26-24-16SN SOCKETS 0462-203-12141 BOOT HD30-24BT</p>			
POSITION WIRE#		POSITION WIRE#	
A	513	J	623
B	510	K	571
C	576	L	581
D	504	M	128
E	507	N	212A
F	501	P	200
G	612	R	N/C
H	621	S	N/C



INTERPRET DIMENSIONS AND TOLERANCES PER ANSI Y 14.5 UNLESS OTHERWISE SPECIFIED DIMENSIONS ARE IN INCHES.  
 TOLERANCES: ANGLES = ± .5° .XXX = ± .010  
 .X = ± .1 X = ± 1/16  
 .XX = ± .03  
 DO NOT SCALE DRAWING

DRAWN: R CLIFTON

DATE: 092701

SCALE: NONE

BOAT MODEL

MOLD NO.

2700R

DWG. TITLE:

WIRE HARNESS CONSTRUCTION

INIT. REL. ECN NO:

DWG. NO:

SHT. NO.

010624

07205

2 of 9

THIS DOCUMENT IS THE PROPERTY OF BOSTON WHALER, INC. MFG. DEPT., EDGEWATER, FLORIDA. ALL RIGHTS ARE RESERVED. THIS DOCUMENT AND INFORMATION CONTAINED MUST NOT BE COPIED OR DISCLOSED TO OTHERS WITHOUT WRITTEN PERMISSION OF BOSTON WHALER, INC.

DWG. NO:  
07205

REV.  
OBS

CURRENT ECD  
06103737

WIRE #	AWG	COLOR	FUNCTION	FROM	BO	TO	BO	LENGTH
102	2/0	RED	STBD BATT SWITCH COMMON	STBD BATT SWITCH COMMON	4	STBD ENGINE TERM BLOCK	6	11'-10"
104	2/0	RED	PORT BATT SWITCH COMMON	PORT BATT SWITCH COMMON	4	PORT ENGINE TERM BLOCK	6	14'-4"
107	2/0	BLK	STBD BATTERY NEGATIVE	STBD BATTERY NEGATIVE	4	STBD ENGINE TERM BLOCK	6	18'-10"
108	2/0	BLK	PORT BATTERY NEGATIVE	PORT BATTERY NEGATIVE	4	PORT ENGINE TERM BLOCK	6	19'-0"
110	2	BLK	MAIN GROUND	MAIN GROUND BUS	3	STBD BATTERY (-)	4	12'-0"
#119	4	RED	ISOLATOR HOUSE BATT FEED	ISOLATOR	6	BATTERY SWITCHES	4	14'-8"
123	8	RED	FUSE BLOCK MAIN	MAIN BREAKER PANEL	4	FUSE BLOCK	3	5'-0"
**124	8	BLK	FUSE BLOCK GROUND	FUSE BLOCK	---	MAIN GROUND BUS	3	1'-0"
128	14	BLK	SWITCH PANEL GROUND	PLUG 4	2	MAIN GROUND BUS	3	4'-6"
200	14	PNK	FUEL SENDER	PLUG 4	2	FUEL TANK SENDER	5	11'-4"
200A	14	PNK	FUEL SENDER (OPTI)	FUEL SPLICE	6	FUEL TANK SENDER	5	8'-2"
201	14	GRN	FUEL SENDER GROUND	FUEL TANK SENDER	5	TANK GROUNDING TAB	3	0'-4"
203	14	GRY	NAVIGATION LIGHT	PLUG 3	2	NAV LIGHT SPLICE	15	21'-11"
204	14	BLK	NAVIGATION LIGHT GROUND	NAV LIGHT SPLICE	15	MAIN GROUND BUS	3	20'-5"
			NAVIGATION LIGHT	PORT NAV LIGHT	---	STBD NAV LIGHT	---	20'-0"
**203A	14	GRY & BLK	NAVIGATION LIGHT GROUND	STBD NAV LIGHT	---	PORT NAV LIGHT	---	20'-0"
207	14	GRY/WHT	ALL-ROUND LIGHT	PLUG 3	2	ALL ROUND LIGHT	1	5'-6"
208	14	BLK	ALL ROUND LIGHT GROUND	ALL ROUND LIGHT	1	MAIN GROUND BUS	3	8'-0"
207A	14	GRY/WHT	T-TOP ALL-ROUND LIGHT	PLUG 3	2	T-TOP SPLICE	4	6'-0"
208A	14	BLK	T-TOP ALL ROUND LT GND	T-TOP SPLICE	4	MAIN GROUND BUS	3	4'-6"
209	14	BLU	COMPASS LIGHT	PLUG 3	2	COMPASS	1	5'-0"
210	14	BLK	COMPASS LIGHT GROUND	COMPASS	1	MAIN GROUND BUS	3	7'-6"
212	14	ORN/BLU	HORN	PLUG 3	2	HORN	1	6'-0"
213	14	BLK	HORN GROUND	HORN	1	MAIN GROUND BUS	3	8'-6"
212A	14	ORN/BLU	T-TOP HORN	PLUG 4	2	T-TOP SPLICE	4	6'-0"
213A	14	BLK	T-TOP HORN GROUND	T-TOP SPLICE	4	MAIN GROUND BUS	3	4'-6"
300A	14	BRN/RED	FWD BILGE PUMP LINE	PLUG 3	2	FWD BILGE PUMP FLOAT SW	12	10'-0"
301	14	BRN	FWD BILGE PUMP	PLUG 3	2	FWD BILGE PUMP	12	10'-0"
302	14	BLK	FWD BILGE PUMP GROUND	FWD BILGE PUMP	12	MAIN GROUND BUS	3	8'-6"
303A	14	BRN/RED	AFT BILGE PUMP LINE	PLUG 3	2	AFT BILGE PUMP FLOAT SW	7	18'-0"
304	14	BRN	AFT BILGE PUMP	PLUG 3	2	AFT BILGE PUMP	7	18'-0"
305	14	BLK	AFT BILGE PUMP GROUND	AFT BILGE PUMP	7	MAIN GROUND BUS	3	16'-6"
501	14	BRN/YEL	LIVWEL PUMP	PLUG 4	2	LIVWELL PUMP	9	9'-8"
502	14	BLK	LIVWELL PUMP GND	LIVWELL PUMP	9	MAIN GROUND BUS	3	8'-2"
504	14	BRN/GRN	FRESH WATER PUMP	PLUG 4	2	FRESH WATER PUMP	9	8'-2"
505	14	BLK	FRESH WATER PUMP GROUND	FRESH WATER PUMP	9	MAIN GROUND BUS	3	6'-8"
507	14	BRN/GRY	RAW WATER PUMP	PLUG 4	2	RAW WATER PUMP	9	9'-2"
508	14	BLK	RAW WATER PUMP GROUND	RAW WATER PUMP	9	MAIN GROUND BUS	3	7'-8"
510	12	BRN/BLK	STBD FISHBOX PUMP	PLUG 4	2	STBD FISHBOX PUMP	6	16'-4"
511	12	BLK	STBD FISHBOX PUMP GROUND	STBD FISHBOX PUMP	6	MAIN GROUND BUS	3	14'-10"
513	12	BRN/BLU	PORT FISHBOX PUMP	PLUG 4	2	PORT FISHBOX PUMP	8	24'-8"
514	12	BLK	PORT FISHBOX PUMP GROUND	PORT FISHBOX PUMP	8	MAIN GROUND BUS	3	23'-2"

\*\* BUNDEL SEPARATELY # OPTIONAL



INTERPRET DIMENSIONS AND TOLERANCES PER ANSI Y 14.5 UNLESS OTHERWISE SPECIFIED DIMENSIONS ARE IN INCHES.  
 TOLERANCES: ANGLES = ± .5° .XXX = ± .010  
 .X = ± .1 X = ± 1/16  
 .XX = ± .03  
 DO NOT SCALE DRAWING

DRAWN: R CLIFTON DATE: 092701 SCALE: NONE  
 DWG. TITLE: WIRE HARNESS CONSTRUCTION

BOAT MODEL: 2700R MOLD NO.  
 INIT. REL. ECN NO: 010624 DWG. NO: 07205 SHT. NO. 3 of 9

THIS DOCUMENT IS THE PROPERTY OF BOSTON WHALER, INC. MFG. DEPT., EDGEWATER, FLORIDA. ALL RIGHTS ARE RESERVED. THIS DOCUMENT AND INFORMATION CONTAINED MUST NOT BE COPIED OR DISCLOSED TO OTHERS WITHOUT WRITTEN PERMISSION OF BOSTON WHALER, INC.

DWG. NO:  
07205

REV.  
OBS

CURRENT ECD  
06103737

WIRE #	AWG	COLOR	FUNCTION	FROM	BO	TO	BO	LENGTH	
(L) #520	8	RED	HEAD PANEL LINE	MAIN BREAKER PANEL	4	HEAD SWITCH PANEL	13	12'-10"	(N)
#521	8	BLK	HEAD PANEL GROUND	HEAD SWITCH PANEL	13	MAIN GROUND BUS	3	13'-10"	(N)
(L) #522	14	BRN/WHT	MACERATOR PUMP	HEAD SWITCH PANEL	13	MACERATOR PUMP	13	6'-0"	
#523	14	BLK	MACERATOR PUMP GROUND	MACERATOR PUMP	13	MAIN GROUND BUS	3	13'-10"	(N)
(L) #524	14	RED	ELECTRIC HEAD	HEAD SWITCH PANEL	13	SOLENOID	13	5'-6"	
#525	14	ORN/VIO	ELECTRIC HEAD	HEAD SWITCH PANEL	13	SOLENOID	13	5'-6"	
(L) #526	14	BLK	SOLENOID GROUND	SOLENOID	13	MAIN GROUND BUS	3	13'-4"	(N)
#527	14	ORN/VIO	ELECTRIC HEAD	SOLENOID	13	ELECTRIC HEAD	13	5'-10"	
#528	14	BLK	ELECTRIC HEAD GROUND	ELECTRIC HEAD	13	MAIN GROUND BUS	3	14'-2"	(N)
532	14	BLK	STEREO GROUND	STEREO	4	MAIN GROUND BUS	3	6'-0"	
533	16/2	SPEAKER	PORT FWD SPEAKER	STEREO	4	PORT FWD SPEAKER	10	16'-6"	(N)
534	16/2	SPEAKER	PORT AFT SPEAKER	STEREO	4	PORT AFT SPEAKER	11	20'-0"	(N)
535	16/2	SPEAKER	STBD FWD SPEAKER	STEREO	4	STBD FWD SPEAKER	15	20'-5"	(N)
536	16/2	SPEAKER	STBD AFT SPEAKER	STEREO	4	STBD AFT SPEAKER	16	28'-7"	(N)
**537	14	BLU	STEREO REMOTE LIGHT	STEREO	---	STEREO REMOTE	---	2'-0"	
**538	14	BLK	STEREO REMOTE LIGHT	STEREO REMOTE	---	STEREO	---	2'-0"	
551	14	BLK	TRIM TABS SWITCH GROUND	TRIM TAB SWITCH	2	MAIN GROUND BUS	3	5'-6"	
552	14	WHT	STBD TRIM TAB	TRIM TAB SWITCH	2	STBD TRIM TAB	6	16'-10"	(N)
553	14	BLK	STBD TRIM TAB	TRIM TAB SWITCH	2	STBD TRIM TAB	6	16'-10"	(N)
554	14	WHT	PORT TRIM TAB	TRIM TAB SWITCH	2	PORT TRIM TAB	8	25'-2"	(N)
555	14	BLK	PORT TRIM TAB	TRIM TAB SWITCH	2	PORT TRIM TAB	8	25'-2"	(N)
571	14	GRY/BLK	ACC 1	PLUG 4	2	ACC 1 DROPOFF	2	1'-6"	
572	14	BLK	ACC 1 GROUND	ACC 1 DROPOFF	2	MAIN GROUND BUS	3	4'-0"	
576	12	BRN/VIO	FWD FISHBOX PUMP	RECEPTACLE 4	2	FWD FISHBOX PUMP	9	8'-8"	(N)
577	12	BLK	FWD FISHBOX PUMP GROUND	FWD FISHBOX PUMP	9	MAIN GROUND BUS	3	7'-2"	(N)
(E) 581	14	GRY/BLU	ACC 2/ HELMSEAT LIVEWELL	RECEPTACLE 4	2	HELMSEAT LIVEWELL PUMP	9	8'-8"	(N)
(E) 582	14	BLK	ACC 2 GROUND	HELMSEAT LIVEWELL PUMP	9	MAIN GROUND BUS	3	7'-2"	(N)
581A	14	GRY/BLU	ACC2/ HELMSEAT LIVEWELL	HELMSEAT LIVEWELL PUMP	9	HELMSEAT LIVEWELL LIGHT	9	9'-10"	(N)(P)
582A	14	BLK	ACC 2 GROUND	HELMSEAT LIVEWELL LIGHT	9	HELMSEAT LIVEWELL PUMP	9	9'-10"	(N)(P)
601	14	BLU/RED	COURTESY LIGHT	PLUG 3	2	STBD COURTESY LIGHT	16	33'-7"	(N)
602	14	BLK	COURTESY LIGHT GROUND	STBD COURTESY LIGHT	16	MAIN GROUND BUS	3	32'-1"	(N)
601A	14	BLU/RED	COURTESY LIGHT	PLUG 3	2	BILGE COURTESY LIGHT	9	9'-0"	(N)
602A	14	BLK	COURTESY LIGHT GROUND	BILGE COURTESY LIGHT	9	MAIN GROUND BUS	3	7'-6"	(N)
601B	14	BLU/RED	COURTESY LIGHT	BILGE COURTESY LIGHT	9	PORT COURTESY LIGHT	11	19'-8"	
602B	14	BLK	COURTESY LIGHT GROUND	PORT COURTESY LIGHT	11	BILGE COURTESY LIGHT	9	19'-8"	
609	14	BLU/VIO	INTERIOR LIGHT	PLUG 3	2	INTERIOR LIGHT	1	5'-0"	
610	14	BLK	INTERIOR LIGHT GROUND	INTERIOR LIGHT	1	MAIN GROUND BUS	3	7'-6"	
612	14	BLU/ORN	LIVWELL LIGHT	PLUG 4	2	LIVWELL LIGHT	8	27'-2"	(N)
613	14	BLK	LIVWELL LIGHT GROUND	LIVWELL LIGHT	8	MAIN GROUND BUS	3	25'-8"	(N)
621	14	BLU/GRN	SPREADER LIGHT	PLUG 4	2	T-TOP SPLICE	4	6'-0"	
622	14	BLK	SPREADER LIGHT GROUND	T-TOP SPLICE	4	MAIN GROUND BUS	3	4'-6"	
623	14	BLU/BLK	T-TOP DOME LIGHT	PLUG 4	2	T-TOP SPLICE	4	6'-0"	
624	14	BLK	T-TOP DOME LIGHT GROUND	T-TOP SPLICE	4	MAIN GROUND BUS	3	4'-6"	
700	6	GRN	FUEL TANK GROUNDING	FUEL TANK	5	MAIN GROUND BUS	3	10'-2"	(N)
700A	14	GRN	FUEL FILL GROUNDING	FUEL FILL	10	FUEL TANK	5	15'-8"	(N)(Q)
** BUNDLE SEPARATELY # OPTIONAL									



INTERPRET DIMENSIONS AND TOLERANCES PER ANSI Y 14.5 UNLESS OTHERWISE SPECIFIED DIMENSIONS ARE IN INCHES.  
 TOLERANCES: ANGLES = ± .5° .XXX = ± .010  
 .X = ± .1 X = ± 1/16  
 .XX = ± .03

DO NOT SCALE DRAWING

DRAWN: R CLIFTON

DATE: 092701

SCALE: NONE

BOAT MODEL

MOLD NO.

2700R

DWG. TITLE:  
WIRE HARNESS CONSTRUCTION

INIT. REL. ECN NO:

DWG. NO:

SHT. NO.

010624

07205

4 of 9

THIS DOCUMENT IS THE PROPERTY OF BOSTON WHALER, INC. MFG. DEPT., EDGEWATER, FLORIDA. ALL RIGHTS ARE RESERVED. THIS DOCUMENT AND INFORMATION CONTAINED MUST NOT BE COPIED OR DISCLOSED TO OTHERS WITHOUT WRITTEN PERMISSION OF BOSTON WHALER, INC.

DWG. NO:  
07205

REV.  
OBS

CURRENT ECD  
06103737

WIRE #	AWG	COLOR	FUNCTION	FROM	BO	TO	BO	LENGTH
<b>T-TOP HARNESS</b>								
(K) #123A	8	RED	FUSE BLOCK MAIN	CONSOLE FUSEBLOCK	---	T-TOP FUSEBLOCK	---	14'
(K) #124A	8	BLK	FUSE BLOCK GROUND	T-TOP FUSEBLOCK	---	MAIN GROUND BUS	---	14'
NOTE: WIRES 123A & 124A ARE FOR T-TOP W/ELECTRONICS BOX OPTION								
**207A	14	GRY/WHT	ALL-ROUND LIGHT	T-TOP SPLICE	---	T-TOP	---	15'0"
**208A	14	BLK	ALL ROUND LIGHT GROUND	T-TOP	---	T-TOP SPLICE	---	15'0"
**212A	14	ORN/BLU	T-TOP HORN	T-TOP SPLICE	---	T-TOP	---	15'0"
**213A	14	BLK	T-TOP HORN GROUND	T-TOP	---	T-TOP SPLICE	---	15'0"
**621	14	BLU/GRN	T-TOP SPREADER LIGHT	T-TOP SPLICE	---	T-TOP	---	15'0"
**622	14	BLK	T-TOP SPREADER LT GND	T-TOP	---	T-TOP SPLICE	---	15'0"
#621A	14	BLU/GRN	T-TOP SPREADER LIGHT	T-TOP SPLICE	---	T-TOP	---	6'0"
#622A	14	BLK	T-TOP SPREADER LT GND	T-TOP	---	T-TOP SPLICE	---	6'0"
**623	14	BLU/BLK	T-TOP DOME LIGHT	T-TOP SPLICE	---	T-TOP	---	15'0"
(L) **624	14	BLK	T-TOP DOME LIGHT GROUND	T-TOP	---	T-TOP SPLICE	---	15'0"
#702	6	GRN	T-TOP GROUNDING	T-TOP LEG	---	MAIN GROUND BUS	---	2'6"
<b>BATTERY CHARGER</b>								
**701	14	GRN	GROUNDING	SHORE POWER PANEL	---	MAIN GROUND BUS	---	1'6"
**800	10/3	BOAT CABLE	SHORE INLET	SHORE INLET	---	SHORE POWER PANEL	---	10'0"
**801	14/3	BOAT CABLE	BATTERY CHARGER	SHORE POWER PANEL	---	BATTERY CHARGER	---	6'0"
<b>CONSOLE</b>								
#207B	14	GRY/WHT	ALL-ROUND LIGHT	LIGHT	---	SPLICE	---	6'0"
#208B	14	BLK	ALL ROUND LIGHT GROUND	LIGHT	---	SPLICE	---	6'0"
#209A	14	BLU	COMPASS LIGHT	COMPASS	---	SPLICE	---	6'0"
#210A	14	BLK	COMPASS LIGHT GROUND	COMPASS	---	SPLICE	---	6'0"
#212B	14	ORN/BLU	HORN	HORN	---	SPLICE	---	6'0"
#213B	14	BLK	HORN GROUND	HORN	---	SPLICE	---	6'0"
#609A	14	BLU/VIO	INTERIOR LIGHT	INTERIOR LIGHT	---	SPLICE	---	6'0"
#610A	14	BLK	INTERIOR LIGHT GROUND	INTERIOR LIGHT	---	SPLICE	---	6'0"
** BUNDLE SEPARATELY # SUB ASSEMBLY								



INTERPRET DIMENSIONS AND TOLERANCES PER ANSI Y 14.5 UNLESS OTHERWISE SPECIFIED DIMENSIONS ARE IN INCHES.  
 TOLERANCES: ANGLES = ± .5° .XXX = ± .010  
 .X = ± .1 X = ± 1/16  
 .XX = ± .03 X = ± 1/16  
 DO NOT SCALE DRAWING

DRAWN: R CLIFTON DATE: 092701 SCALE: NONE  
 DWG. TITLE: WIRE HARNESS CONSTRUCTION

BOAT MODEL: 2700R  
 INIT. REL. ECN NO: 010624

MOLD NO.  
 DWG. NO: 07205

SHT. NO. 5 of 9



THIS DOCUMENT IS THE PROPERTY OF BOSTON WHALER, INC. MFG. DEPT., EDGEWATER, FLORIDA. ALL RIGHTS ARE RESERVED. THIS DOCUMENT AND INFORMATION CONTAINED MUST NOT BE COPIED OR DISCLOSED TO OTHERS WITHOUT WRITTEN PERMISSION OF BOSTON WHALER, INC.

DWG. NO:  
07205

REV.  
OBS

CURRENT ECD  
06103737

- 1.) WIRES TO BE 105° C, SAE J378/J1128, WITH TYE 2 STRANDING. GROUNDING WIRES TO BE TYPE 3 AND TINNED COPPER.
- 2.) ALL LOW VOLTAGE WIRE INSULATION TO HAVE THE FOLLOWING INFORMATION PRINTED ON IT: A: MANUFACTURER'S NAME  
B: TEMPERATURE RATING (I.E. 105° C) C; SAE J378/J1127 D: GAUGE (I.E. 10AWG)
- 3.) WIRES TO BE LABELED WITH SPECIFIED WIRE NUMBERS AT BOTH ENDS.
- 4.) BOAT CABLE TO BE 3 CONDUCTOR, TINNED, 105° C DRY, JACKETED, AND MEET UL-1426 SPECIFICATIONS FOR BOAT CABLE.  
120V CABLE CONDUCTORS TO BE BLACK/WHITE/GREEN WITH A WHT JACKET.  
220V CABLE CONDUCTORS TO BE BLUE/BROWN/GREEN WITH A TAN JACKET.
- 5.) ALL DIMENSIONS ARE INCHES UNLESS OTHERWISE SPECIFIED.
- 6.) FOR GROUND BUS LOCATIONS WITH A BUS BAR SPECIFIED, TERMINATE WIRES WITH PROPER SIZE ADHESIVE LINED HEAT SHRINK INSULATED RING CONNECTORS.
- 7.) SPEAKER WIRES ARE 16/2, HIGH CONDUCTIVITY COPPER, WITH 90° C CLEAR INSULATION.
- 8.) SPOT TAPE HARNESS EVERY 12 TO 14 INCHES.
- 9.) TERMINATION'S SPECIFIED ARE TO BE HEAT SHRINK ADHESIVE SEALED TYPE.
- 10.) SHEATH ENTIRE HARNESS IN FLAME RETARDENT SPLIT LOOM EXPOSING 3" AT THE ENDS OF EACH BREAKOUT.



INTERPRET DIMENSIONS AND TOLERANCES PER ANSI Y 14.5 UNLESS OTHERWISE SPECIFIED DIMENSIONS ARE IN INCHES.  
 TOLERANCES: ANGLES = ± .5° .XXX = ± .010  
 .X = ± .1 X = ± 1/16  
 .XX = ± .03  
 DO NOT SCALE DRAWING

DRAWN: R CLIFTON

DATE: 092701

SCALE: NONE

BOAT MODEL

MOLD NO.

2700R

DWG. TITLE:

WIRE HARNESS CONSTRUCTION

INIT. REL. ECN NO:

DWG. NO:

SHT. NO.

010624

07205

6 of 9



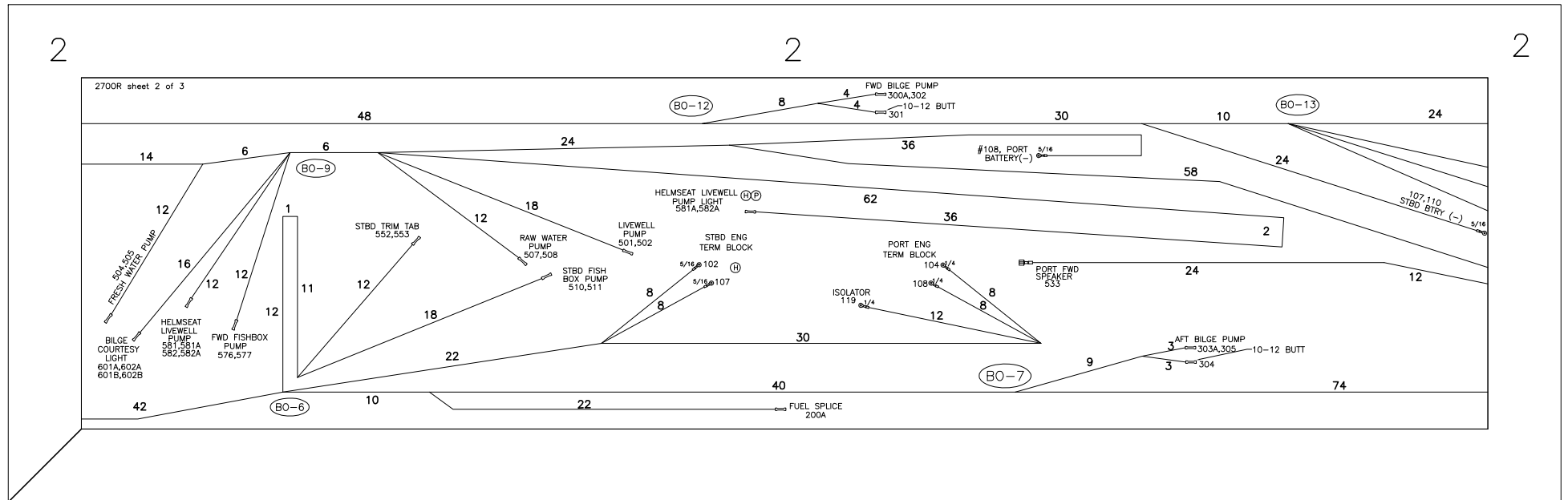
THIS DOCUMENT IS THE PROPERTY OF BOSTON WHALER, INC. MFG. DEPT., EDGEWATER, FLORIDA. ALL RIGHTS ARE RESERVED. THIS DOCUMENT AND INFORMATION CONTAINED MUST NOT BE COPIED OR DISCLOSED TO OTHERS WITHOUT WRITTEN PERMISSION OF BOSTON WHALER, INC.

DWG. NO:  
07205

REV.  
OBS

CURRENT ECD  
06103737

DIMENSIONS ARE ON LAYER 0. TURN OFF WHEN PLOTTING 1:1 FOR BOARD



INTERPRET DIMENSIONS AND TOLERANCES PER ANSI Y 14.5 UNLESS OTHERWISE SPECIFIED DIMENSIONS ARE IN INCHES.  
 TOLERANCES: ANGLES = ± .5° .XXX = ± .010  
 .X = ± .1 .XX = ± .03 X/X = ± 1/16  
 DO NOT SCALE DRAWING

DRAWN: R CLIFTON DATE: 092701 SCALE: NONE  
 DWG. TITLE: WIRE HARNESS CONSTRUCTION

BOAT MODEL 2700R	MOLD NO.
INIT. REL. ECN NO: 010624	DWG. NO: 07205
SHT. NO. 8 of 9	

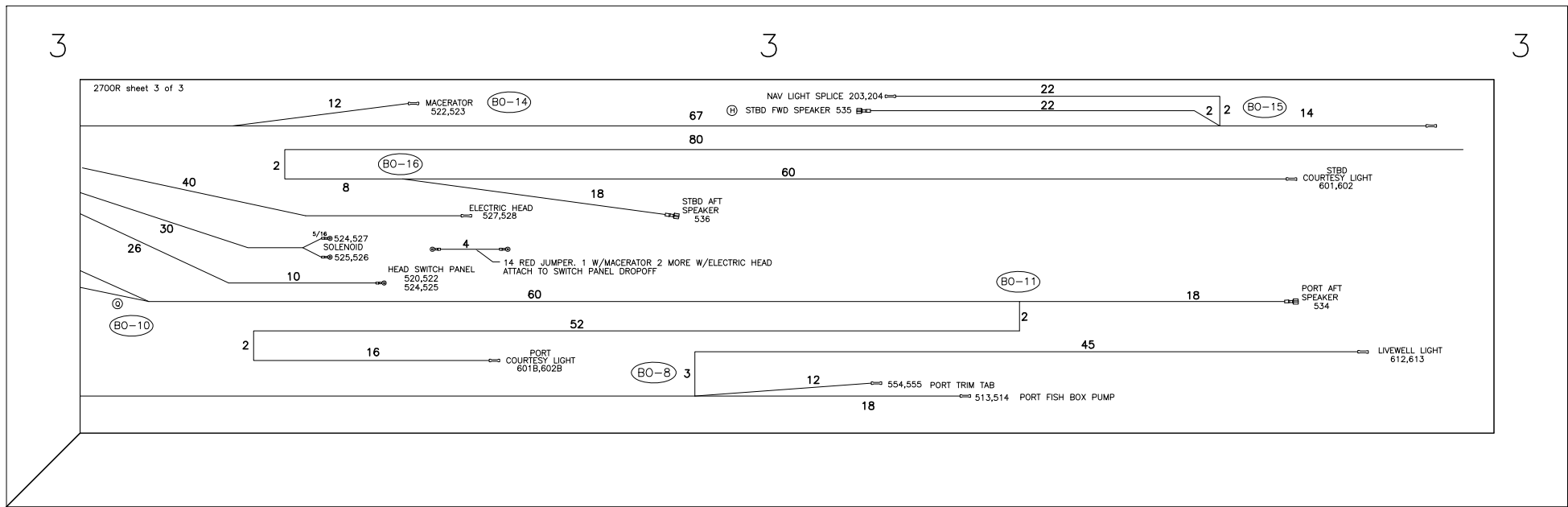
THIS DOCUMENT IS THE PROPERTY OF BOSTON WHALER, INC. MFG. DEPT., EDGEWATER, FLORIDA. ALL RIGHTS ARE RESERVED. THIS DOCUMENT AND INFORMATION CONTAINED MUST NOT BE COPIED OR DISCLOSED TO OTHERS WITHOUT WRITTEN PERMISSION OF BOSTON WHALER, INC.

DWG. NO:  
07205

REV.  
OBS

CURRENT ECD  
06103737

DIMENSIONS ARE ON LAYER 0. TURN OFF WHEN PLOTTING 1:1 FOR BOARD



INTERPRET DIMENSIONS AND TOLERANCES PER ANSI Y 14.5 UNLESS OTHERWISE SPECIFIED DIMENSIONS ARE IN INCHES.  
 TOLERANCES: ANGLES = ± .5° .XXX = ± .010  
 .X = ± .1 .XX = ± .03 X/X = ± 1/16  
 DO NOT SCALE DRAWING

DRAWN: R CLIFTON DATE: 092701 SCALE: NONE  
 DWG. TITLE: WIRE HARNESS CONSTRUCTION

BOAT MODEL 2700R	MOLD NO.
INIT. REL. ECN NO: 010624	DWG. NO: 07205
SHT. NO. 9 of 9	

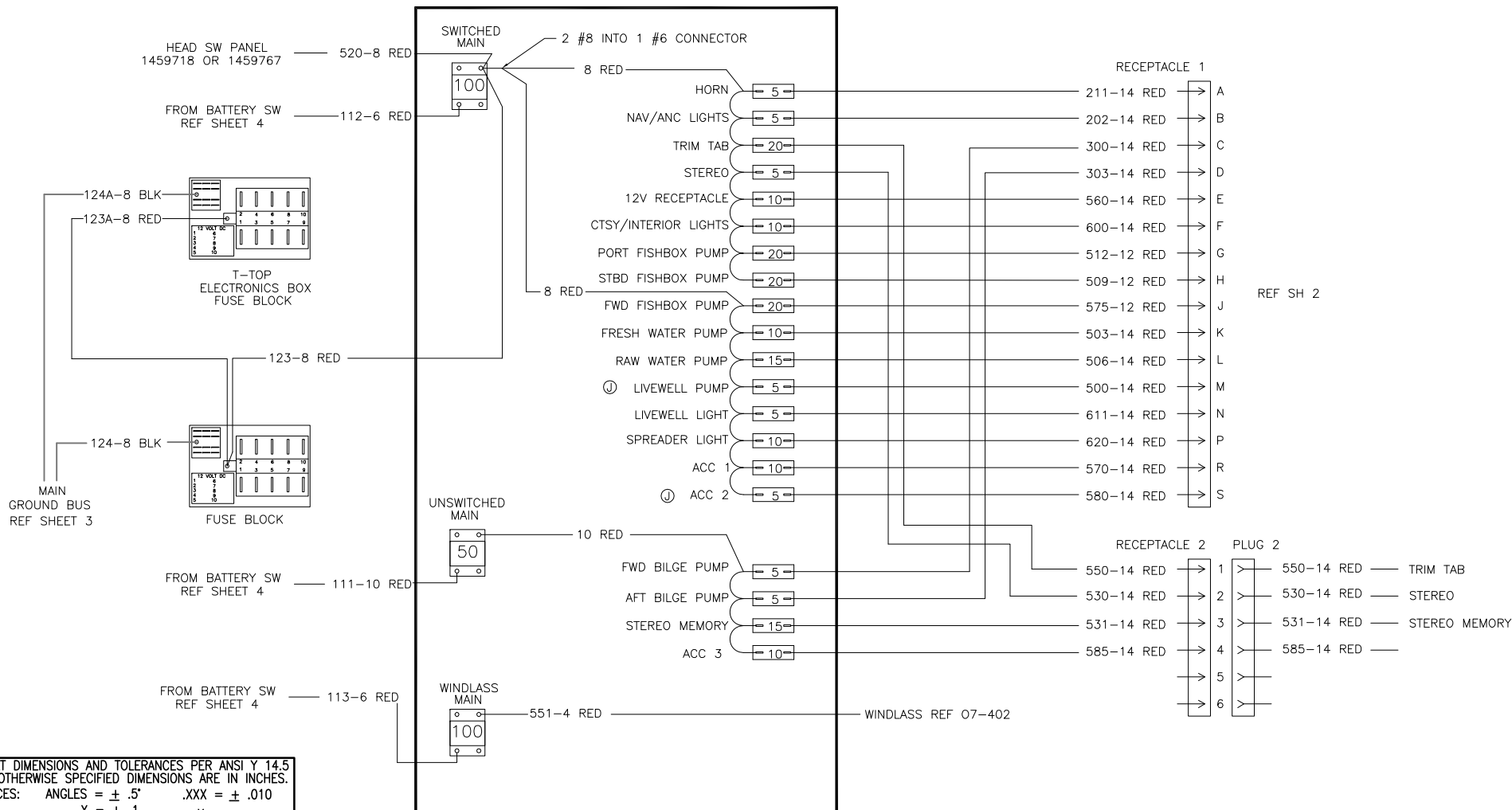
THIS DOCUMENT IS THE PROPERTY OF BOSTON WHALER, INC. MFG. DEPT., EDGEWATER, FLORIDA. ALL RIGHTS ARE RESERVED. THIS DOCUMENT AND INFORMATION CONTAINED MUST NOT BE COPIED OR DISCLOSED TO OTHERS WITHOUT WRITTEN PERMISSION OF BOSTON WHALER, INC.

DWG. NO: 07401  
 REV. 0  
 CURRENT ECD 060601

1. REF MAIN BREAKER PANEL DRAWING FOR CONSTRUCTION DETAILS.
2. REF SWITCH/INSTRUMENT PANEL DRAWINGS FOR CONSTRUCTION DETAILS.

REVISIONS					
REV.	DESCR.	BY	DATE	APPVD.	ECN NO.
L	MYE '06: MERC ENG HARNESS (1032788) OBSOLETE (SHT5)	MRZ	05/31/05	MG	05-05-05
M	ADD OPT. 020-70289	GD	10/18/05	RA	05-07-28
N	ADD OPT. 100-70402	GD	11/18/05	ME	05-11-40
0	FIRST MAIN NUMBER WAS 125	AT	06/01/06	AVM	060601

MAIN BREAKER PANEL

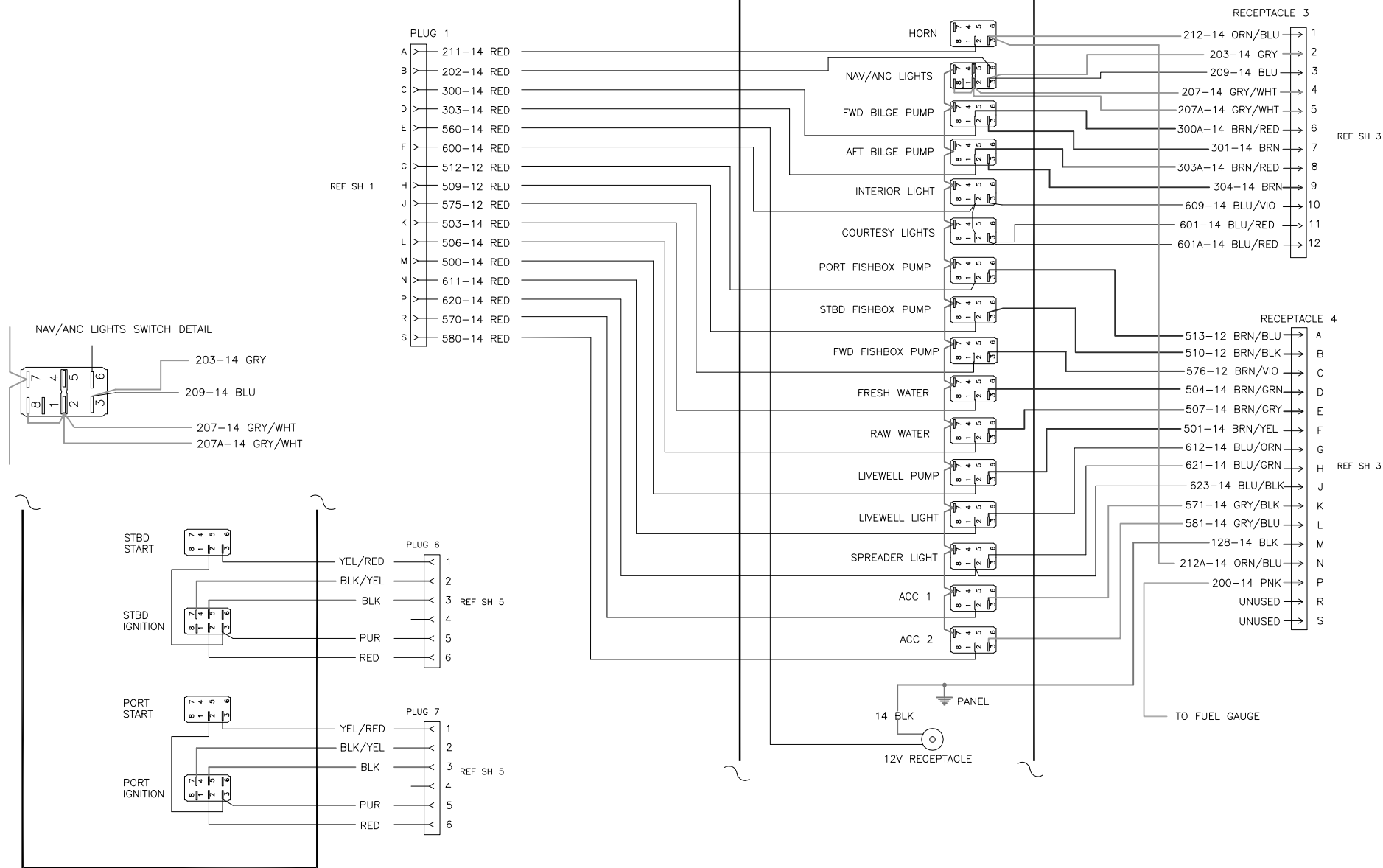


INTERPRET DIMENSIONS AND TOLERANCES PER ANSI Y 14.5 UNLESS OTHERWISE SPECIFIED DIMENSIONS ARE IN INCHES.  
 TOLERANCES: ANGLES = ± .5° .XXX = ± .010  
 .X = ± .1 X = ± 1/16  
 .XX = ± .03 X = ± 1/16  
 DO NOT SCALE DRAWING



CHECKED: R. DURHAM	DATE: 12/6/01	DRAWN: R. CLIFTON	DATE: 10/08/01	SCALE: NONE	BOAT MODEL	MOLD NO.
APPD: R. CLIFTON	DATE: 12/5/01	DWG. TITLE: Wiring Diagram			2700R	
DESIGN: L. SCHOLZ	DATE: 12/5/01				INIT. REL. ECN NO:	DWG. NO:
INT. ENG: M. GATICA	DATE: 1/17/02				010624	07401
					SHT. NO.	1 of 4

SWITCH/INSTRUMENT PANEL

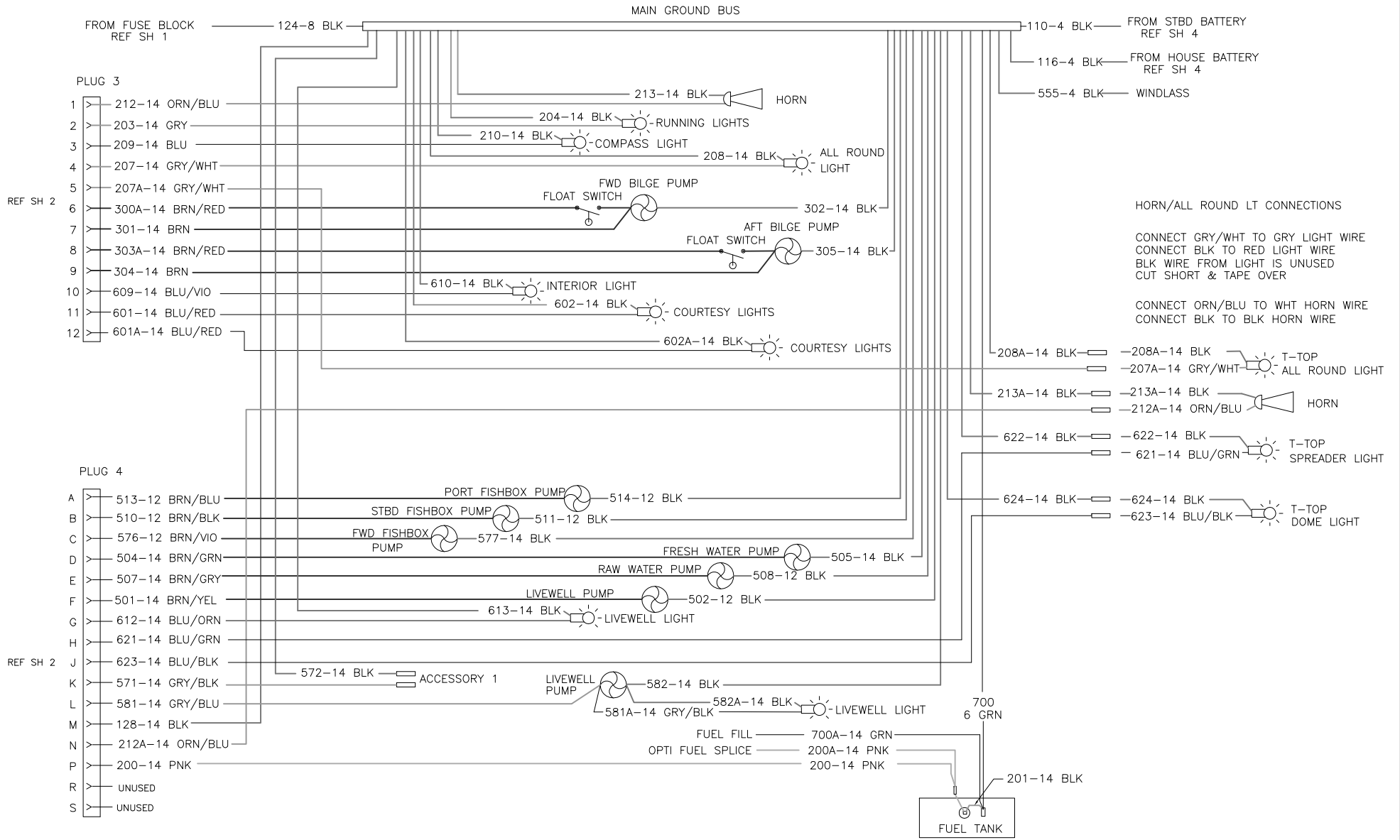


THIS DOCUMENT IS THE PROPERTY OF BOSTON WHALER, INC. MFG. DEPT., EDGEWATER, FLORIDA. ALL RIGHTS ARE RESERVED. THIS DOCUMENT AND INFORMATION CONTAINED MUST NOT BE COPIED OR DISCLOSED TO OTHERS WITHOUT WRITTEN PERMISSION OF BOSTON WHALER, INC.

DWG. NO:  
07401

REV.  
0

CURRENT ECD  
060601



HORN/ALL ROUND LT CONNECTIONS  
CONNECT GRY/WHT TO GRY LIGHT WIRE  
CONNECT BLK TO RED LIGHT WIRE  
BLK WIRE FROM LIGHT IS UNUSED  
CUT SHORT & TAPE OVER  
  
CONNECT ORN/BLU TO WHT HORN WIRE  
CONNECT BLK TO BLK HORN WIRE

208A-14 BLK - 208A-14 BLK T-TOP  
207A-14 GRY/WHT - ALL ROUND LIGHT  
213A-14 BLK - 213A-14 BLK HORN  
212A-14 ORN/BLU  
622-14 BLK - 622-14 BLK T-TOP  
621-14 BLU/GRN - SPREADER LIGHT  
624-14 BLK - 624-14 BLK T-TOP  
623-14 BLU/BLK - DOME LIGHT

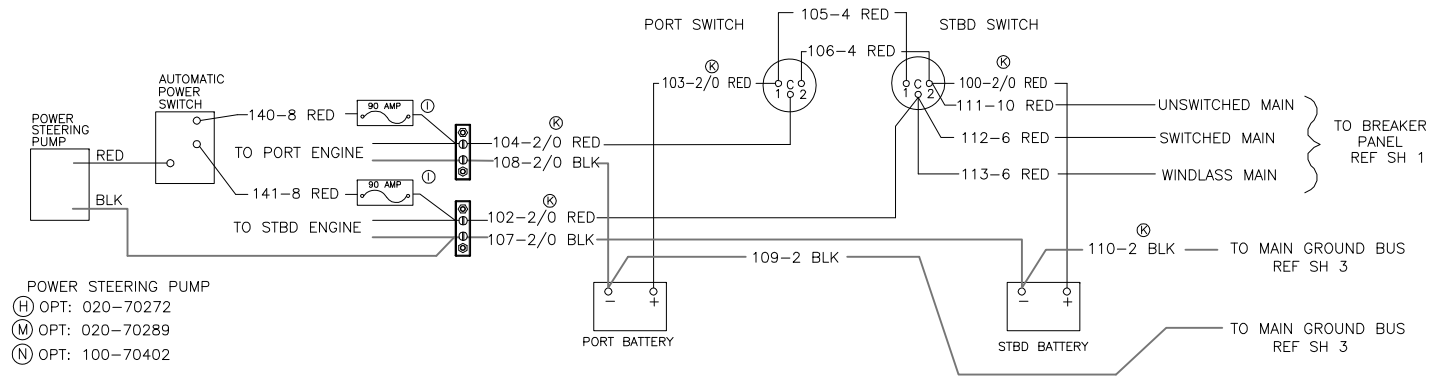


INTERPRET DIMENSIONS AND TOLERANCES PER ANSI Y 14.5 UNLESS OTHERWISE SPECIFIED DIMENSIONS ARE IN INCHES.  
TOLERANCES: ANGLES = ± .5° .XXX = ± .010  
.X = ± .1 .X = ± 1/16  
.XX = ± .03 .X = ± 1/16  
DO NOT SCALE DRAWING

DRAWN: R. CLIFTON DATE: 10/08/01 SCALE: NONE  
DWG. TITLE: Wiring Diagram

BOAT MODEL 2700R	MOLD NO.
INIT. REL. ECN NO: 010624	DWG. NO: 07401
SHT. NO. 3 OF 4	

STANDARD



HOUSE BATTERY OPTION

