

THIS DOCUMENT IS THE PROPERTY OF BOSTON WHALER, INC. MFG. DEPT., EDGEWATER, FLORIDA. ALL RIGHTS ARE RESERVED. THIS DOCUMENT AND INFORMATION CONTAINED MUST NOT BE COPIED OR DISCLOSED TO OTHERS WITHOUT WRITTEN PERMISSION OF BOSTON WHALER, INC.

DWG. NO:

08101

REV.

K

CURRENT ECD

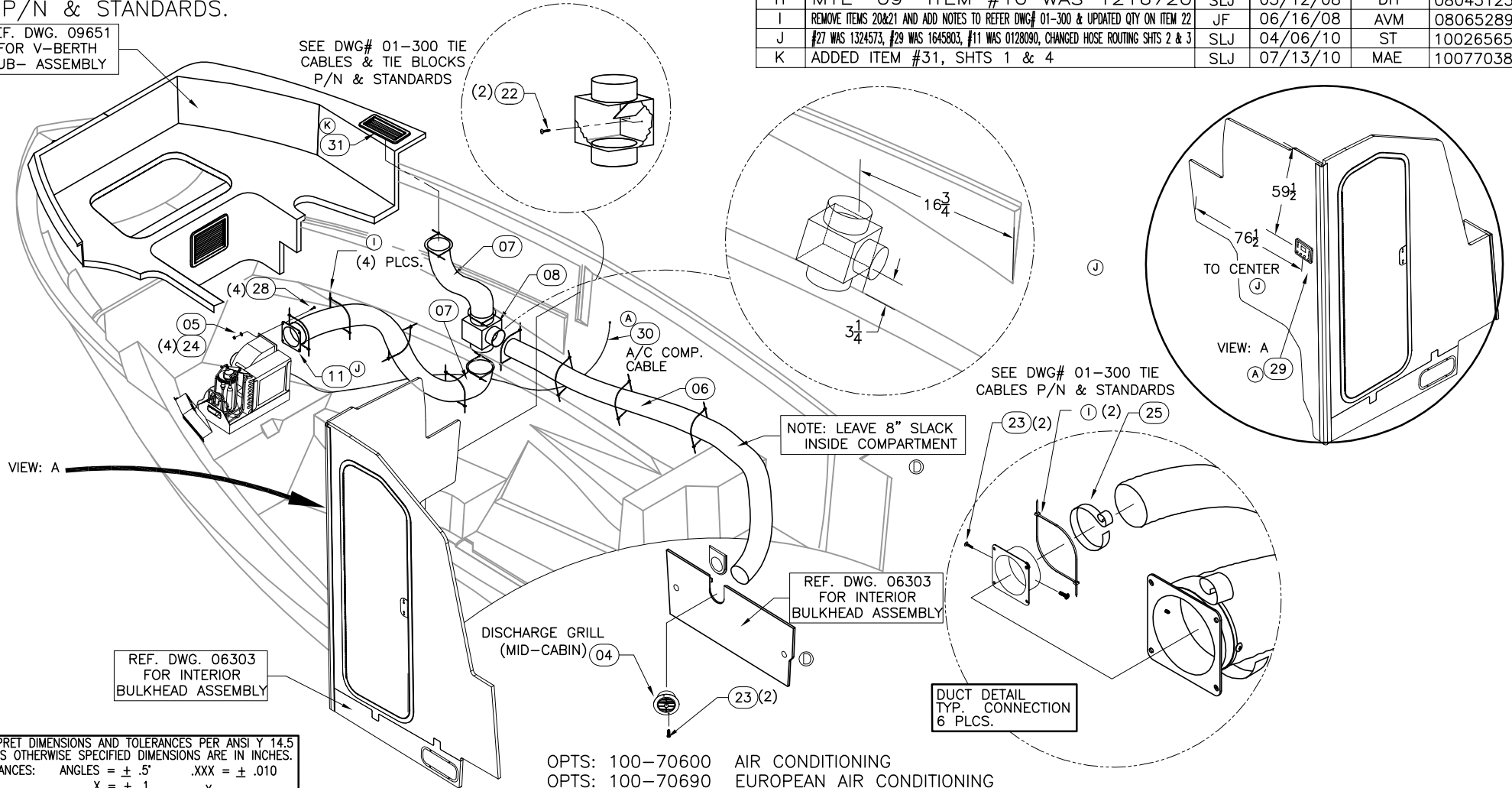
10077038

NOTES:

1. REF. DWG 06303 FOR INTERIOR BULKHEAD INSTALLATION.
2. REF. DWG 09651 FOR V-BERTH SUB-ASSEMBLY.
3. CABLE TIES SHOULD BE PLACED WITH A MAXIMUM SEPERATION OF 14".
4. REF. DWG. 01251 FOR HOSE CUT LENGTHS.
5. SEE DWG. 01-300 FOR TIE CABLES & TIE BLOCKS P/N & STANDARDS.

REF. DWG. 09651 FOR V-BERTH SUB-ASSEMBLY

SEE DWG# 01-300 TIE CABLES & TIE BLOCKS P/N & STANDARDS



REVISIONS					
REV.	DESCR.	BY	DATE	APPVD.	ECN NO.
A	ADDED # 29 & 30 FOR A/C OPTION.	JFH	9/27/05	HW	050362
B	DELETE #1,2,3 ON 06151, ADD NOTE SEE DWG 06151	HJR	11/09/05	VPK	050362
C	ADD NOTE #4, #23 QTY. WAS 14	RH	11/10/05	VPK	050362
D	UPDATE CABIN BULKHEAD, ADD NOTE, #6 WAS QTY 16, #7 WAS QTY 5	HJR	11/23/05	VPK	050362
E	RELOCATE A/C PUMP, STRAINER, SEACOCK	AT	10/18/06	RA	06103706
F	MOVED ITEMS # 12,16,9,14 TO DWG 09-101	AT	11/24/06	RA	06103706
G	CHANGED PN# & DESCRIPTION ITRM 22 SHEETS 2 & 4. WAS 1010925	SLJ	03/21/07	AVM	07034030
H	MYE "09" ITEM #10 WAS 1216720	SLJ	05/12/08	DH	08045123
I	REMOVE ITEMS 20&21 AND ADD NOTES TO REFER DWG# 01-300 & UPDATED QTY ON ITEM 22	JF	06/16/08	AVM	08065289
J	#27 WAS 1324573, #29 WAS 1645803, #11 WAS 0128090, CHANGED HOSE ROUTING SHTS 2 & 3	SLJ	04/06/10	ST	10026565
K	ADDED ITEM #31, SHTS 1 & 4	SLJ	07/13/10	MAE	10077038

INTERPRET DIMENSIONS AND TOLERANCES PER ANSI Y 14.5 UNLESS OTHERWISE SPECIFIED DIMENSIONS ARE IN INCHES.
 TOLERANCES: ANGLES = ± .5° .XXX = ± .010
 .X = ± .1 .XX = ± .03 X = ± 1/16
 DO NOT SCALE DRAWING

OPTS: 100-70600 AIR CONDITIONING
 OPTS: 100-70690 EUROPEAN AIR CONDITIONING



CHECKED: RA	DATE: 8/02/05	DRAWN: M.ZAFFUTO	DATE: 7/18/05	SCALE: NONE	BOAT MODEL: 285CQ	MOLD NO.
APPD: KR	DATE: 8/03/05	DWG. TITLE: AIR CONDITIONER OPTION			INIT. REL. ECN NO: 050362	DWG. NO: 08101
DESIGN: VPK	DATE: 8/03/05					SHT. NO. 1 of 4
INT. ENG: MG	DATE: 8/03/05					

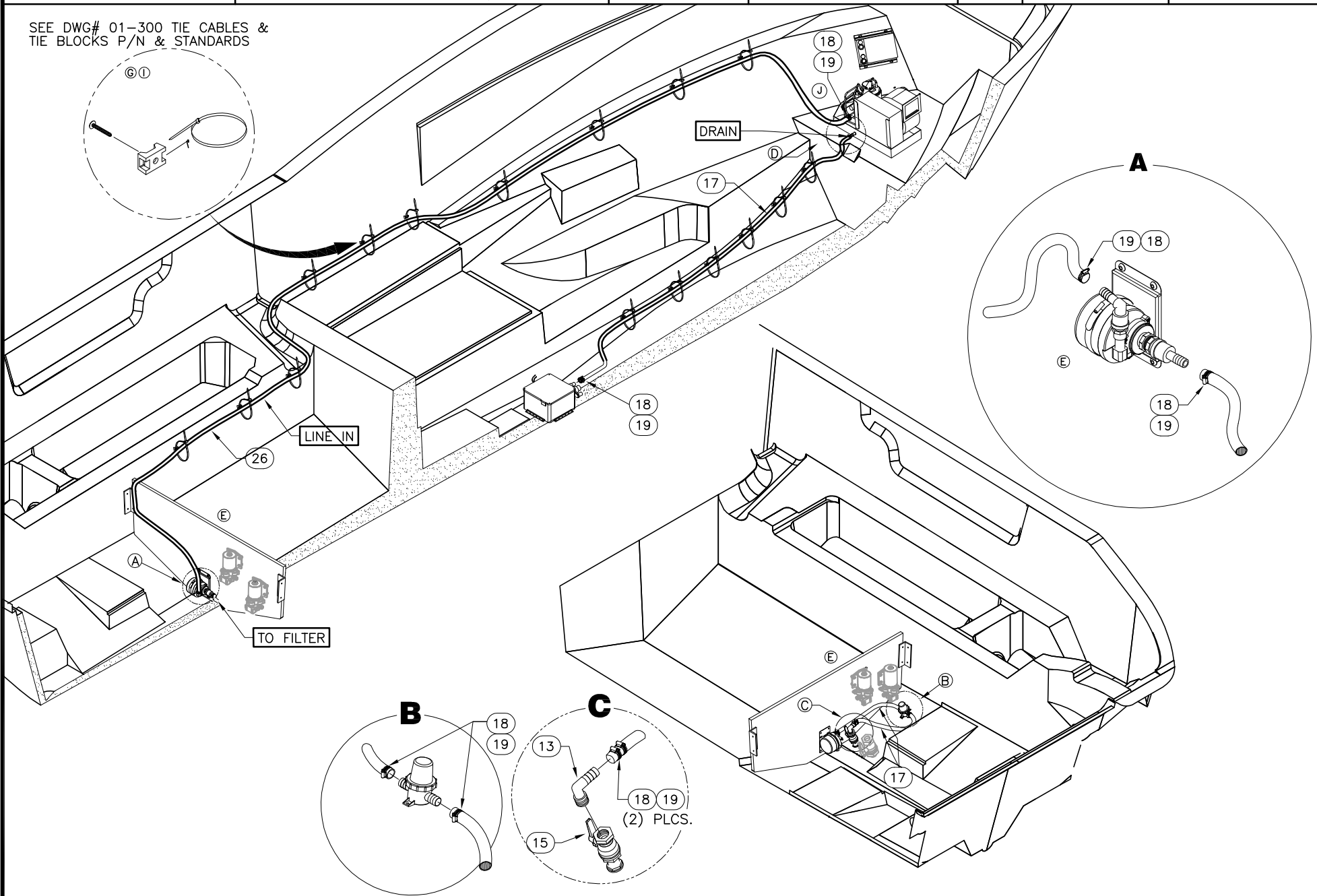
THIS DOCUMENT IS THE PROPERTY OF BOSTON WHALER, INC. MFG. DEPT., EDGEWATER, FLORIDA. ALL RIGHTS ARE RESERVED. THIS DOCUMENT AND INFORMATION CONTAINED MUST NOT BE COPIED OR DISCLOSED TO OTHERS WITHOUT WRITTEN PERMISSION OF BOSTON WHALER, INC.

DWG. NO:
08101

REV.
K

CURRENT ECD
10077038

SEE DWG# 01-300 TIE CABLES & TIE BLOCKS P/N & STANDARDS



INTERPRET DIMENSIONS AND TOLERANCES PER ANSI Y 14.5 UNLESS OTHERWISE SPECIFIED DIMENSIONS ARE IN INCHES.
TOLERANCES: ANGLES = $\pm .5^\circ$.XXX = $\pm .010$
.X = $\pm .1$.XX = $\pm .03$ X = $\pm 1/16$
DO NOT SCALE DRAWING

DRAWN: M.ZAFFUTO

DATE: 7/18/05

SCALE: NONE

BOAT MODEL

MOLD NO.

285CQ

DWG. TITLE:

AIR CONDITIONER OPTION

INIT. REL. ECN NO:

DWG. NO:

SHT. NO.

050362

08101

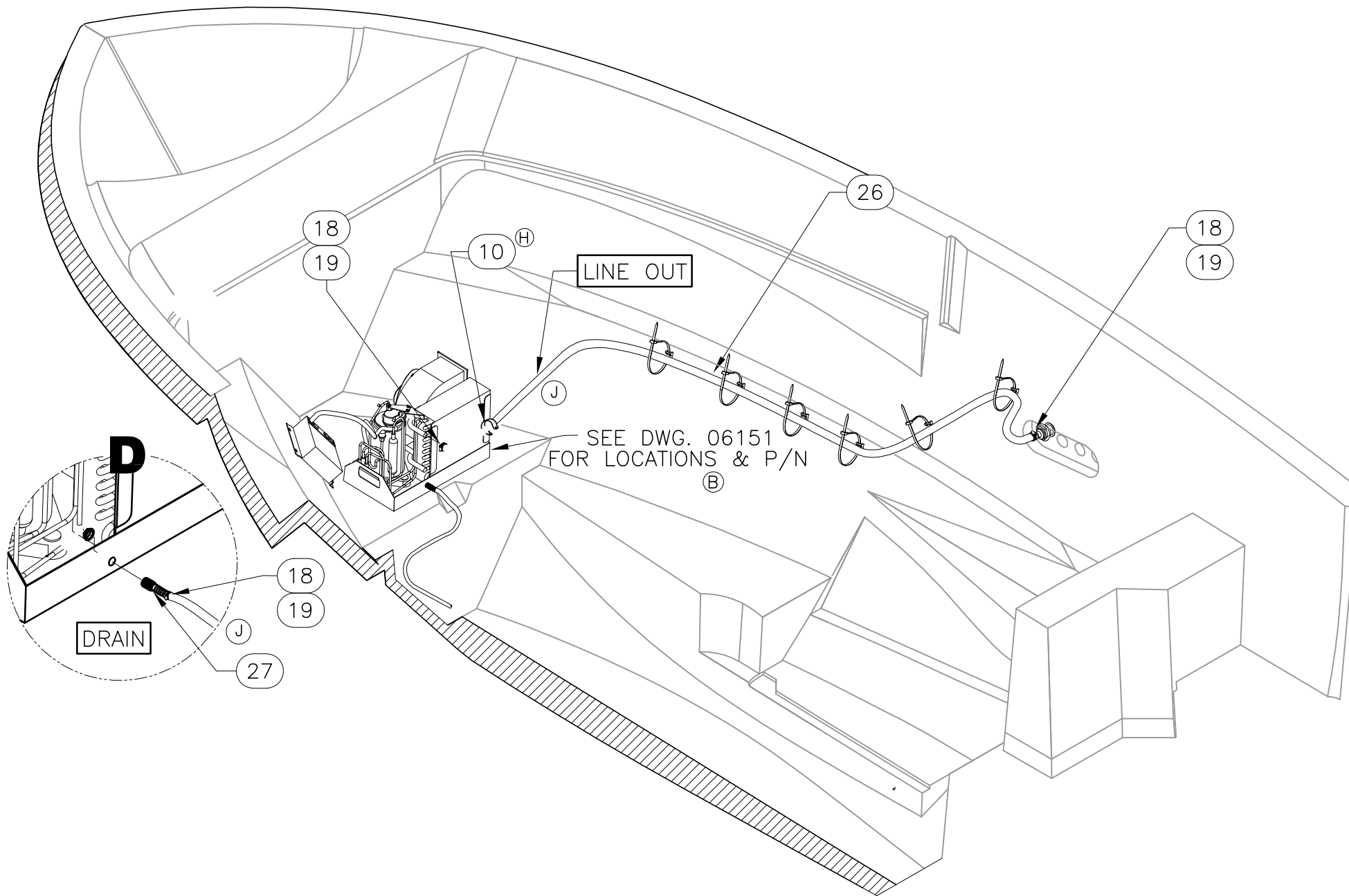
2 OF 4

THIS DOCUMENT IS THE PROPERTY OF BOSTON WHALER, INC. MFG. DEPT., EDGEWATER, FLORIDA. ALL RIGHTS ARE RESERVED. THIS DOCUMENT AND INFORMATION CONTAINED MUST NOT BE COPIED OR DISCLOSED TO OTHERS WITHOUT WRITTEN PERMISSION OF BOSTON WHALER, INC.

DWG. NO:
08101

REV.
K

CURRENT ECD
10077038



INTERPRET DIMENSIONS AND TOLERANCES PER ANSI Y 14.5 UNLESS OTHERWISE SPECIFIED DIMENSIONS ARE IN INCHES.
 TOLERANCES: ANGLES = ± .5° .XXX = ± .010
 .X = ± .1 X = ± 1/16
 .XX = ± .03
 DO NOT SCALE DRAWING

DRAWN: M.ZAFFUTO

DATE: 7/18/05

SCALE: NONE

BOAT MODEL

MOLD NO.

285CQ

DWG. TITLE:

AIR CONDITIONER OPTION

INIT. REL. ECN NO:

DWG. NO:

SHT. NO.

050362

08101

3 OF 4

Parts List

	Item	Qty	U/M	Description	B.W.I.	NO.
(B)	1	1	EA.	A/C COMP, COMPACT 7K SMXII 115V 50/60HZ	1759849	
(B)	2	1	EA.	A/C COMP, COMPACT 7K SMXII 230V 50/60HZ	1769421	
(B)	3	1	EA.	A/C COMP, QC PKG (MICROPROCESSOR CNTRL UNIT)	0826115	
	4	1	EA.	A/C COMP, GRILL 4" W/DA WHT	1105196	
	5	4	EA.	NUT, HEX NYLON LOCK #8-32 SC	1260728	
(D)	6	0	FT.	HOSE, AC/DUCT INSULATED 4"	0124065	
(D)	7	0	FT.	HOSE, AC/DUCT INSULATED 5"	0266528	
	8	1	EA.	A/C COMP, PLENUM 5"X 6"X 6" W/INSUL	1760151	
(F)	9	1	EA.	A/C COMP, BUSHING 3/4"MPT X 1/2"FPT PVC	1177138	
(H)	10	1	EA.	CLAMP, LOOM 1.25"	1701321	
(J)	11	1	EA.	A/C COMP, HOSE ADAPT 5"HV PLAS 8K	1956871	
(F)	12	1	EA.	A/C COMP, ADAPTER PVC EL 1/2 FPT X 5/8 HOSE	1733793	
	13	1	EA.	ELBOW, MARELON 3/4"MPT X 3/4"BARB X 90DEG	0567958	
(F)	14	1	EA.	ADAPTER, GENOVA 3/4"FPT X 3/4" BARB GREY	0168369	
	15	1	EA.	VALVE, MARELON BALL 2-WAY 3/4"	0557959	
(F)	16	1	EA.	BUSHING, PVC 1/4"FPT X 1/2"MPT SCH80	1105204	
	17	0	FT.	HOSE, WATER 3/4" BLK REINF PVC	1042100	
	18	11	EA.	CLAMP, HOSE #10 1/2"-1 1/8" SS .505	0263954	
	19	11	EA.	COVER, CLAMP END PROT 1/2"L X .045" X .465"RED	0830968	
(I)	20	54	EA.	TIE, CABLE 11" MED NYLON BLK	0157321	
(I)	21	38	EA.	TIE, CLIP BLK	1031764	
(I)(G)	22	2	EA.	SCREW, TAPPING #8A X 5/8" PPH TEK SC W/EPXY	1893323	
(C)	23	4	EA.	SCREW, TAPPING #8A X 1/2" PTH SC	1008812	
	24	4	EA.	WASHER, FLAT #8 SC	1326297	
	25	.023	RL	TAPE, FINISH INSUL 2"X 72YDS	1124718	
	26	0	FT.	HOSE, WATER A/C WHT 5/8"	1058957	
(J)	27	1	EA.	ADAPTER, NYLON 1/2"MPT X 3/4"BARB	1738191	
	28	4	EA.	SCREW, MACHINE #8-32 X 3/4" PTH SC	1010735	
(J)(A)	29	1	EA.	A/C COMP, DISPLAY Q3 BLK	1942926	
(A)	30	1	EA.	A/C COMP, CABLE INTERCONNECT 15'	1604263	
(K)	31	1	EA.	A/C COMP, GRILL 10X4 SNAP WHT W/FRM W/5"RNGBK	1743133	

THIS DOCUMENT IS THE PROPERTY OF BOSTON WHALER, INC. MFG. DEPT., EDGEWATER, FLORIDA. ALL RIGHTS ARE RESERVED. THIS DOCUMENT AND INFORMATION CONTAINED MUST NOT BE COPIED OR DISCLOSED TO OTHERS WITHOUT WRITTEN PERMISSION OF BOSTON WHALER, INC.

DWG. NO:
09402

REV.
A

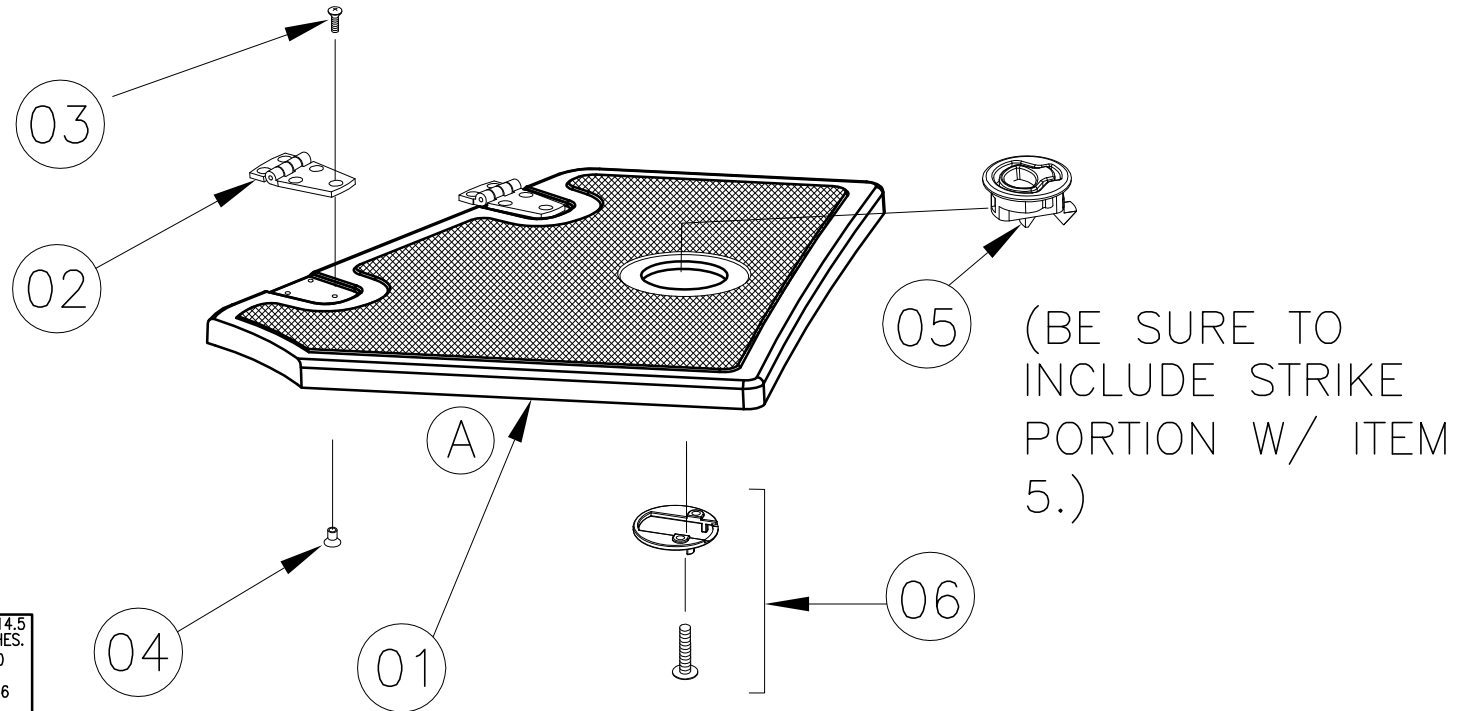
CURRENT ECD
050362

- NOTES:
 1. REFER TO DWG. 16114 FOR HOLE CUT AND FLANGE TRIM DETAILS.
 2. ALL FASTENERS SHALL BE SEALED AT INSTALLATION USING WHITE SILICONE SEALANT. BARREL NUT ENDS SEALED AND SMOOTHED OVER AFTER HINGES AND HANDLE SCREWS HAVE BEEN INSTALLED.
 3. REFER TO DWG. 05114 FOR LAMINATION DETAILS.

REVISIONS		BY	DATE	APPVD.	ECN NO.
REV.	DESCR.				
A	UPDATED PART #1.	JFH	10/28/05	VPK	050362

PARTS LIST

ITEM	STD. QTY.	U/M	DESCRIPTION	MRP NUMBER
01	1	EA.	FIBERGLASS PART, ANCHOR LOCKER COVER	22K22900
02	2	EA.	HINGE, DOOR SS 1.5"X 3" THINLINE	1617323
03	6	EA.	SCREW, MACHINE #10-24 X 1/2" POH SC	1008432
04	6	EA.	NUT, BBL #10-24 X 3/8" FH	1040187
05	1	EA.	LATCH, FLUSH MNT N/LOCKING SLAM SS	1781434
06	1	EA.	PLATE, FLAT BRKT 2"SHORT SCREW W/HDWR PKG	1781436



INTERPRET DIMENSIONS AND TOLERANCES PER ANSI Y 14.5 UNLESS OTHERWISE SPECIFIED DIMENSIONS ARE IN INCHES.
 TOLERANCES: ANGLES = ± .5° .XXX = ± .010
 .X = ± .1 X = ± 1/16
 .XX = ± .03 X = ± 1/16
 DO NOT SCALE DRAWING



CHECKED: R.AVILA	DATE: 8/02/05	DRAWN: J.HALPIN	DATE: 7-5-05	SCALE: NONE	BOAT MODEL 285CQ	MOLD NO. 22K22900
APPD: K.RANIERI	DATE: 8/03/05	DWG. TITLE: ANCHOR LOCKER COVER SUB ASSEMBLY			INIT. REL. ECN NO: 050362	DWG. NO: 09402
DESIGN: V.KNIGHT	DATE: 8/03/05				SHT. NO. 1 of 1	
INT. ENG: MG	DATE: 11/1/05					

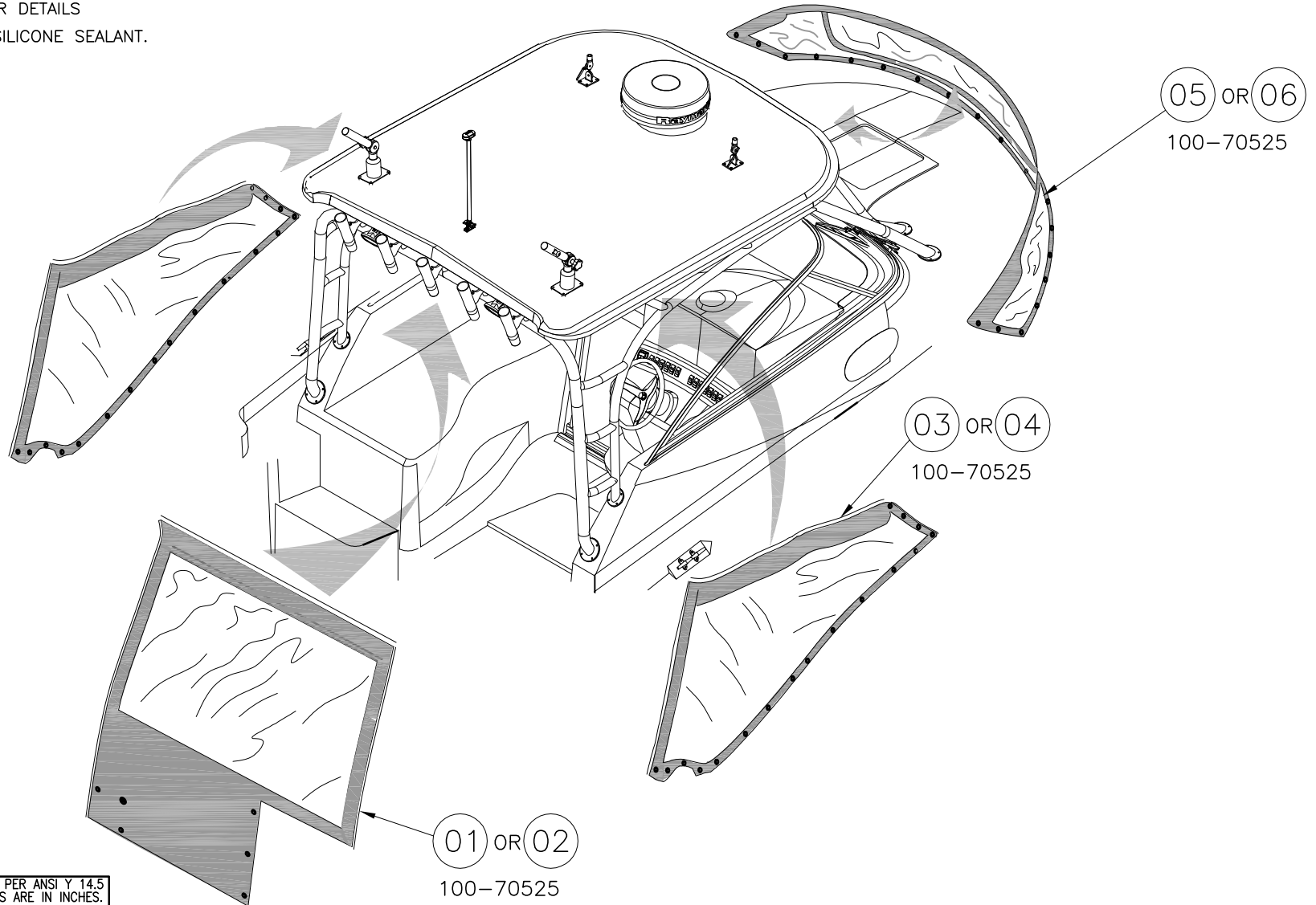
THIS DOCUMENT IS THE PROPERTY OF BOSTON WHALER, INC. MFG. DEPT., EDGEWATER, FLORIDA. ALL RIGHTS ARE RESERVED. THIS DOCUMENT AND INFORMATION CONTAINED MUST NOT BE COPIED OR DISCLOSED TO OTHERS WITHOUT WRITTEN PERMISSION OF BOSTON WHALER, INC.

DWG. NO: 08502	REV. B	CURRENT ECD 09096192
--------------------------	------------------	--------------------------------

REVISIONS					
REV.	DESCR.	BY	DATE	APPVD.	ECN NO.
A	Add note in pg 2 for weather curtains kits.	AVF	2/18/08	AVF	08024947
B	REPLACED 1936549, 1936550 WITH 1976025, 1976026	SG	10/21/2009	ST	09096192

NOTES

- HARDTOP SUB ASSY
SEE DWG. 08-401 FOR DETAILS
- SEAL ALL HOLES W/ SILICONE SEALANT.



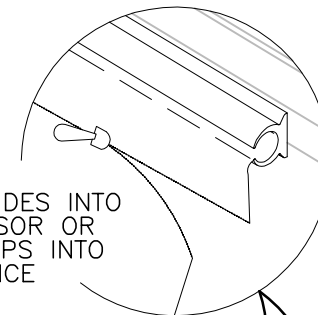
INTERPRET DIMENSIONS AND TOLERANCES PER ANSI Y 14.5 UNLESS OTHERWISE SPECIFIED DIMENSIONS ARE IN INCHES.
 TOLERANCES: ANGLES = ± .5° .XXX = ± .010
 .X = ± .1 .XX = ± .03 X = ± 1/16
 DO NOT SCALE DRAWING



CHECKED: AD	DATE: 11/17/05	DRAWN: HAL READ	DATE: 11/16/05	SCALE: NONE	BOAT MODEL 285CQ	MOLD NO.
APPD: KR	DATE: 11/17/05	DWG. TITLE: CANVAS INSTALLATION			INIT. REL. ECN NO: 050362	DWG. NO: 08502
DESIGN: VPK	DATE: 11/17/05					SHT. NO. 1 OF 2
INT. ENG: MG	DATE: 11/17/05					

PARTS LIST

ITEM	QTY.	U/M	DESCRIPTION	B.W.I. NO.
1	1	EA.	CANVAS, BW285CQ-06 H/T DROP CURT BLK	1805014
2	1	EA.	CANVAS, BW285CQ-06 H/T DROP CURT BLUE	1805017
3	1	EA.	CANVAS, BW285CQ-06 H/T SIDE CURT SET BLK	1805021
4	1	EA.	CANVAS, BW285CQ-06 H/T SIDE CURT SET BLUE	1805026
5	1	EA.	CANVAS, BW285CQ-06 H/T VSR CURT BLK	1805027
6	1	EA.	CANVAS, BW285CQ-06 H/T VSR CURT BLUE	1805030
7	1	EA.	CANVAS, BW305CQ-04 CVR PEDESTAL SEAT BLK	1755480



VALANCE SLIDES INTO TRACK, VISOR OR CURTAIN ZIPS INTO VALANCE

SIDE VALANCE
PART OF
③ or ④

VIEW OF UNDERSIDE
(LOOKING AFT)

AFT VALANCE
PART OF
① or ②

VIEW OF TOPSIDE
(LOOKING AFT)

FWD VALANCE
PART OF
⑤ or ⑥

NOTE:

Please note the following weather curtain kits:
 KIT #1976025 CANVAS, 285CQ HT CURT KIT BLK
 Includes 1805021 and 1805027.
 KIT #1976026 CANVAS, 285CQ HT CURT KIT BLUE
 Includes 1805030, 1805017 and 1805026.

THIS DOCUMENT IS THE PROPERTY OF BOSTON WHALER, INC. MFG. DEPT., EDGEWATER, FLORIDA. ALL RIGHTS ARE RESERVED. THIS DOCUMENT AND INFORMATION CONTAINED MUST NOT BE COPIED OR DISCLOSED TO OTHERS WITHOUT WRITTEN PERMISSION OF BOSTON WHALER, INC.

DWG. NO:
09433

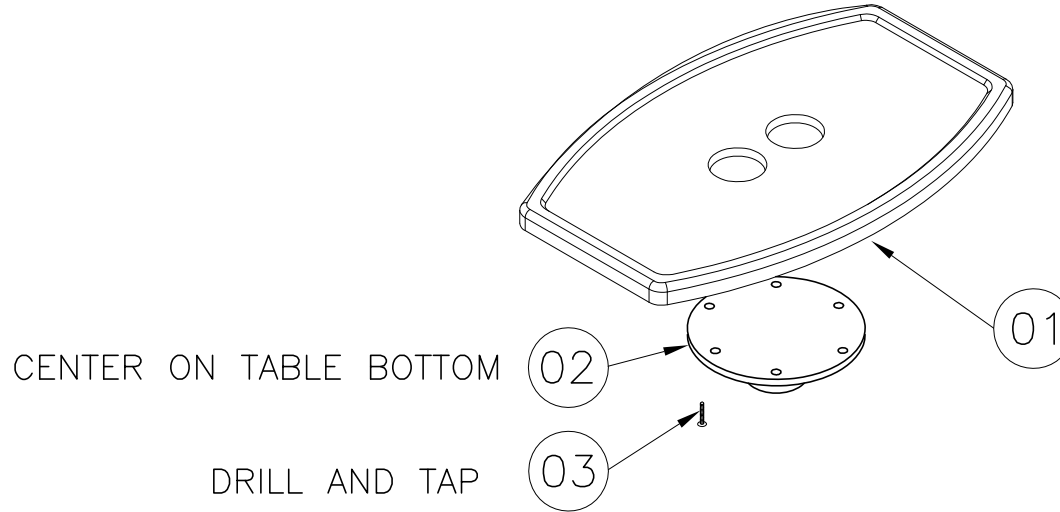
REV.

CURRENT ECD
060495

NOTES:

1. REF. DWG. 05178 FOR LAMINATION.
2. REF. DWG. 08612 FOR ASSEMBLY.

REV.		REVISIONS			BY	DATE	APPVD.	ECN NO.



PARTS LIST

ITEM	QTY.		U/M	DESCRIPTION	BWI NO.
	STD.	OPT.			
01	—	1	EA.	COCKPIT TABLE	22K29400
02	—	1	EA.	BASE, SURF BASE ALUM TPR MNT 2.25" DIA	1878022
03	—	6	EA.	SCREW, MACHINE #1/4-20 X 3/4" PFH SC	1007863

INTERPRET DIMENSIONS AND TOLERANCES PER ANSI Y 14.5 UNLESS OTHERWISE SPECIFIED DIMENSIONS ARE IN INCHES.
 TOLERANCES: ANGLES = ± .5° .XXX = ± .010
 .X = ± .1 X = ± 1/16
 .XX = ± .03 X = ± 1/16
 DO NOT SCALE DRAWING



CHECKED: H.WOOD	DATE: 9/20/06	DRAWN: HAL READ	DATE: 07/18/06	SCALE: NONE	BOAT MODEL	MOLD NO.	
APPD: KR	DATE: 9/21/06	DWG. TITLE:		285CQ	22K29400		
DESIGN: VPK	DATE: 9/21/06	COCKPIT TABLE SUB-ASSEMBLY			INIT. REL. ECN NO:	DWG. NO:	SHT. NO.
INT. ENG: MG	DATE: 9/21/06				060495	09433	1 of 1

THIS DOCUMENT IS THE PROPERTY OF BOSTON WHALER, INC. MFG. DEPT., EDGEWATER, FLORIDA. ALL RIGHTS ARE RESERVED. THIS DOCUMENT AND INFORMATION CONTAINED MUST NOT BE COPIED OR DISCLOSED TO OTHERS WITHOUT WRITTEN PERMISSION OF BOSTON WHALER, INC.

DWG. NO:
09201

REV.
Z

CURRENT ECD
10066931

NOTES:

1. SEE DWG# 01-300 FOR TIE CABLES & TIE BLOCKS P/N & STANDARDS.

REVISIONS					
REV.	DESCR.	BY	DATE	APPVD.	ECN NO.
X	REPLACED #41 W/#44, CHANGED STD & OPT NOTES, SHT 1. QTY #11 WAS 0, ADDED #44, DELETED # 30 SHT 3	SLJ	11/12/09	HW	09056007
Y	ADDED E-SERIES OPT'S/DETAIL, SHEET 2	SBL	03/23/10	HW	10026601
Z	MYE"11", ITEM #4 WAS PN#1942931	SLJ	06/04/10		10066931

* STD. & OPT. 100-70402
 Ⓢ DELETE W/OPT:
 020-70405
 020-79999

INSTALL AIR TEMP SENSOR INCLUDED W/ ITEM #19


USE VENDOR NUTS (DON'T OVER TIGHTEN)

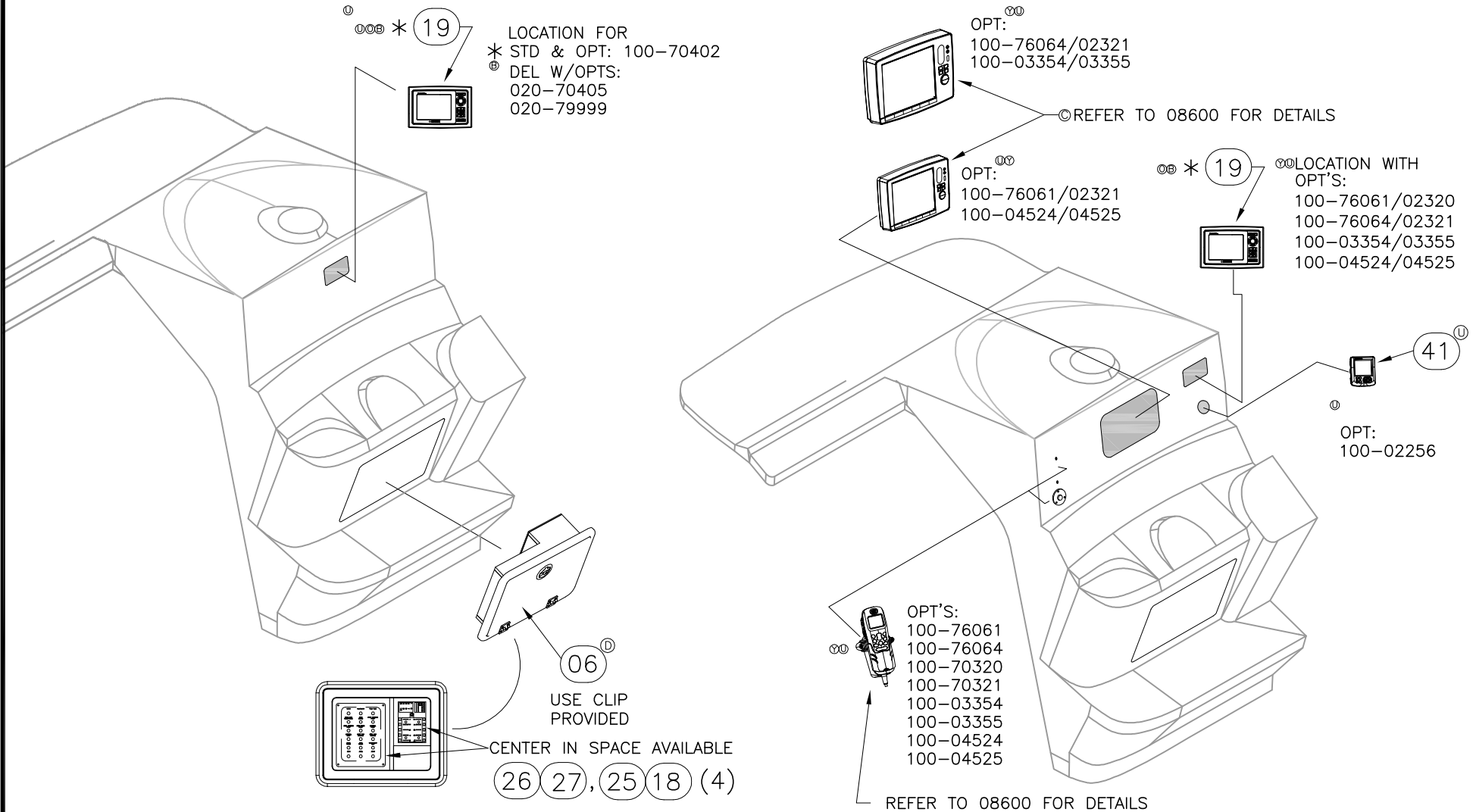
USE CLIP PROVIDED

- * Ⓢ (10)
- * Ⓢ (07)
- * Ⓢ (33)
- 700-00005 (34) ⓈⓈ
- 700-00006
- 020-70405 (35) Ⓢ
- 020-79999
- 100-70054 (44) ⓈⓈⓈ
- DELETE W/OPT:
700-00005
700-00006

SEE DWG# 01-300 TIE CABLES & TIE BLOCKS P/N & STANDARDS.

INTERPRET DIMENSIONS AND TOLERANCES PER ANSI Y 14.5 UNLESS OTHERWISE SPECIFIED DIMENSIONS ARE IN INCHES.
 TOLERANCES: ANGLES = ± .5° .XXX = ± .010
 .X = ± .1 .XX = ± .03 X = ± 1/16
 DO NOT SCALE DRAWING

 <p>PRODUCT DEV. & MFG. ENGINEERING GROUP</p>	CHECKED: A. DALE	DATE: 8-25-05	DRAWN: HAL READ	DATE: 08-17-05	SCALE: NONE	BOAT MODEL	MOLD NO.
	APPD: H. WOOD	DATE: 8-25-05	DWG. TITLE:			285CQ	
	DESIGN: VKP	DATE: 8-25-05	CONSOLE SUB-ASSY.			INIT. REL. ECN NO:	DWG. NO:
INT. ENG: MG	DATE: 8-26-05				050362	09201	SHT. NO.
						1	OF 3



THIS DOCUMENT IS THE PROPERTY OF BOSTON WHALER, INC. MFG. DEPT., EDGEWATER, FLORIDA. ALL RIGHTS ARE RESERVED. THIS DOCUMENT AND INFORMATION CONTAINED MUST NOT BE COPIED OR DISCLOSED TO OTHERS WITHOUT WRITTEN PERMISSION OF BOSTON WHALER, INC.

DWG. NO:
09201

REV.
Z

CURRENT ECD
10066931

												Parts List		
												DESCRIPTION	B.W.I. NO.	
												EA.	FIBERGLASS PART, CONSOLE	22K23300
												EA.	STEERING WHEEL, 15.5" DIA SS 25DEG W/KNOB	1748025
ⓧ	ⓔ											EA.	STEERING, HELM PUMP SEA STAR I	127043
ⓧ	ⓔ											EA.	STEERING, HELM PUMP MERC 40 CM3 TILT (NEW)	1942930
ⓧ	ⓔ											EA.	CONTROL, CNSL MNT DUAL DTS CANPAD GEN I	1849602
ⓧ	ⓔ											EA.	DOOR, ACRY BW285/305CQ-06 HELM ACCESS/BRKR	1838658
												EA.	SWITCH, START/STOP DUAL ENG KIT DTS	1781396
												EA.	DRINKHOLDR, PLAS W/DRAIN DEEP XLG SZ BLK	1727419
ⓧ	ⓔ											EA.	STEREO, REMOTE CNTRL W/DIG DSPLY F/CMD6 BLK	1970759
												EA.	COMPASS, FLUSH MT 3.75" BLK RAISED	1787335
ⓧ	ⓔ											FT.	HOSE, PVC CLEAR 3/8"	0124347
ⓧ	ⓔ											EA.	TIE, CABLE 6" LG NYLON BLK	0999672
ⓧ	ⓔ											EA.	TIE, CLIP BLK	1034764
ⓧ	ⓔ											EA.	TRIM TAB, ASSY 11 X 14.5 BW285CQ-06	1803653
ⓧ	ⓔ											EA.	TRIM TAB, ASSY 11 X 14.5 W/INDICATOR	1808865
												EA.	WASHER, FLAT #8 SC	1326297
												EA.	SCREW, TAPPING #6A X 1" POH SC	1213040
ⓧ	ⓔ											EA.	SCREW, TAPPING #8A X 5/8" PTH SC	1010925
ⓧ	ⓔ											EA.	ACC PART, MERC S-CRFT VESSEL VIEW	1890259
												EA.	SCREW, MACHINE #10-24 X 2" POH SC	1010479
												EA.	RAIL, GRAB BW305CQ-04 COMPWY ENTRANCE	1756523
												EA.	SCREW, CAP #5/16-18 X 1" HEX HD SC	1007707
												EA.	WASHER, FENDER 5/16" X 1.5" SC	1326180
												EA.	WASHER, LOCK/SPLIT 5/16" SC	1260611
ⓧ	ⓔ											EA.	PANEL, BW285/305CQ-09 CNTRL STA BRKR	1944490
												EA.	FUSE BLOCK, 10-GNG BLADE-TYPE W/BLANK LABELS	1688102
												EA.	SCREW, TAPPING #6A X 5/8" POH SC	1008572
												EA.	DRAIN SLEEVE, FLUSH IMPACT 5/8"	0518878
ⓧ	ⓔ											EA.	NAVIGATOR, NRTHSTR 6000I 8.4" CMPLT PKG	1778187
ⓧ	ⓔ											EA.	NAVIGATION DISPLAY, NORTHSTAR 6000I 10.4"	1770322
												EA.	SCREW, TAPPING #10A X 1" PTH SC	1008739
ⓧ	ⓔ											EA.	SPACER, PLAS AIR TEMP SENSOR MERC ORNG	1795151
ⓧ	ⓔ											EA.	PANEL, BW285CQ-06 SW DC W/IGN	1816261
ⓧ	ⓔ											EA.	PANEL, BW285CQ-07 SW DC N/IGN W/WNDLS	1879098
ⓧ	ⓔ											EA.	PANEL, BW285CQ-06 SW DC N/IGN	1816262
ⓧ	ⓔ											EA.	PANEL, BW285CQ-06 SW DC W/WNDLS	1803700
ⓧ	ⓔ											EA.	VIDEO EQUIPMENT, AUX INPUT MP3 W/FEMALE ENDS	1975651
ⓧ	ⓔ											EA.	CABLE, RCA AUDIO 20' W/EFX-2 CONN	1978081
ⓧ	ⓔ											EA.	SPOTLIGHT, GOLIGHT HALOGEN 12V W/RF REMOTE	1840023
ⓧ	ⓔ											EA.	PLUG, HOLE 3/4" BLK 2683-HEY	1792419
ⓧ	ⓔ											EA.	AUTO PILOT, SMARTPILOT X-30 COREPACK	1965596
ⓧ	ⓔ											EA.	STEERING, NUT M12-1.75 CAST SS W/BW LOGO	1808064
ⓧ	ⓔ											EA.	STEERING, NUT 758 CAST SS W/BW LOGO	1815982
ⓧ	ⓔ											EA.	PANEL, BW285CQ-07 SW DC W/WNDLS	1879099



INTERPRET DIMENSIONS AND TOLERANCES PER ANSI Y 14.5 UNLESS OTHERWISE SPECIFIED DIMENSIONS ARE IN INCHES.
 TOLERANCES: ANGLES = ± .5° .XXX = ± .010
 .X = ± .1 X = ± 1/16
 .XX = ± .03 X = ± 1/16
 DO NOT SCALE DRAWING

DRAWN: HAL READ

DATE: 08/17/05

SCALE: NONE

BOAT MODEL

MOLD NO.

DWG. TITLE:

CONSOLE SUB-ASSY.

285CQ

INIT. REL. ECN NO:

050362

DWG. NO:

09201

SHT. NO.

3 OF 3

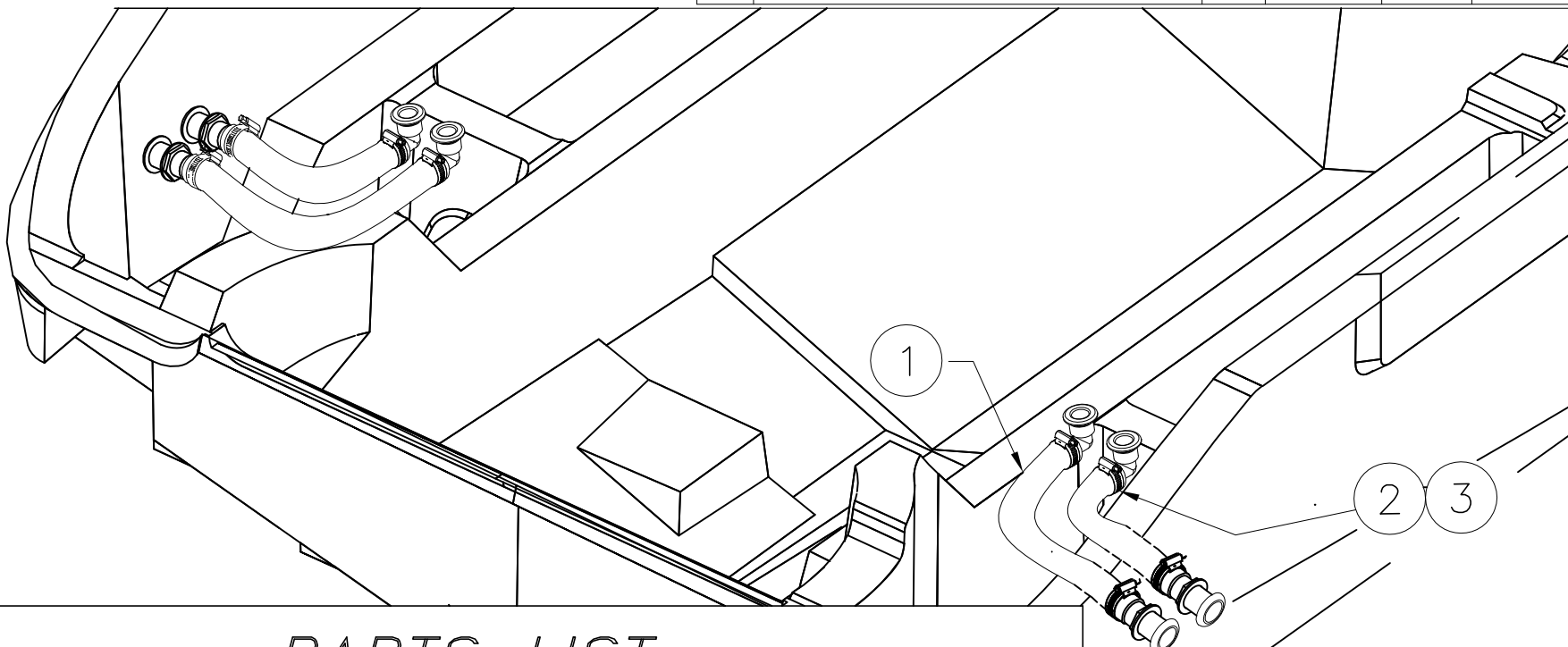
THIS DOCUMENT IS THE PROPERTY OF BOSTON WHALER, INC. MFG. DEPT., EDGEWATER, FLORIDA. ALL RIGHTS ARE RESERVED. THIS DOCUMENT AND INFORMATION CONTAINED MUST NOT BE COPIED OR DISCLOSED TO OTHERS WITHOUT WRITTEN PERMISSION OF BOSTON WHALER, INC.

DWG. NO:
06850

REV.
-

CURRENT ECD
050362

REVISIONS					
REV.	DESCR.	BY	DATE	APPVD.	ECN NO.



PARTS LIST

ITEM	QTY.	U/M	DESCRIPTION	B.W.I. NO.
1	0	FT	HOSE, SANI 1.5" BLK PVC 149 SERIES	1746048
2	8	EA	CLAMP, HOSE #24 1" x 2" SS .505	0256693
3	8	EA	COVER, CLAMP END PROT 1/2"L X .045" X .465" RED	0830968

INTERPRET DIMENSIONS AND TOLERANCES PER ANSI Y 14.5
UNLESS OTHERWISE SPECIFIED DIMENSIONS ARE IN INCHES.
TOLERANCES: ANGLES = ± .5° .XXX = ± .010
.X = ± .1 X = ± 1/16
.XX = ± .03 X = ± 1/16
DO NOT SCALE DRAWING



CHECKED: RA	DATE: 08-08-05	DRAWN: J.HALPIN	DATE: 7-15-05	SCALE: NONE	BOAT MODEL	MOLD NO.
APPD: KR	DATE: 08-08-05	DWG. TITLE:			285CQ	
DESIGN: VPK	DATE: 08-08-05	DECK DRAINAGE			INIT. REL. ECN NO:	DWG. NO:
INT. ENG: MG	DATE: 08-08-05				050362	06850
					SHT. NO.	1 of 1

THIS DOCUMENT IS THE PROPERTY OF BOSTON WHALER, INC. MFG. DEPT., EDGEWATER, FLORIDA. ALL RIGHTS ARE RESERVED. THIS DOCUMENT AND INFORMATION CONTAINED MUST NOT BE COPIED OR DISCLOSED TO OTHERS WITHOUT WRITTEN PERMISSION OF BOSTON WHALER, INC.

DWG. NO:
06201

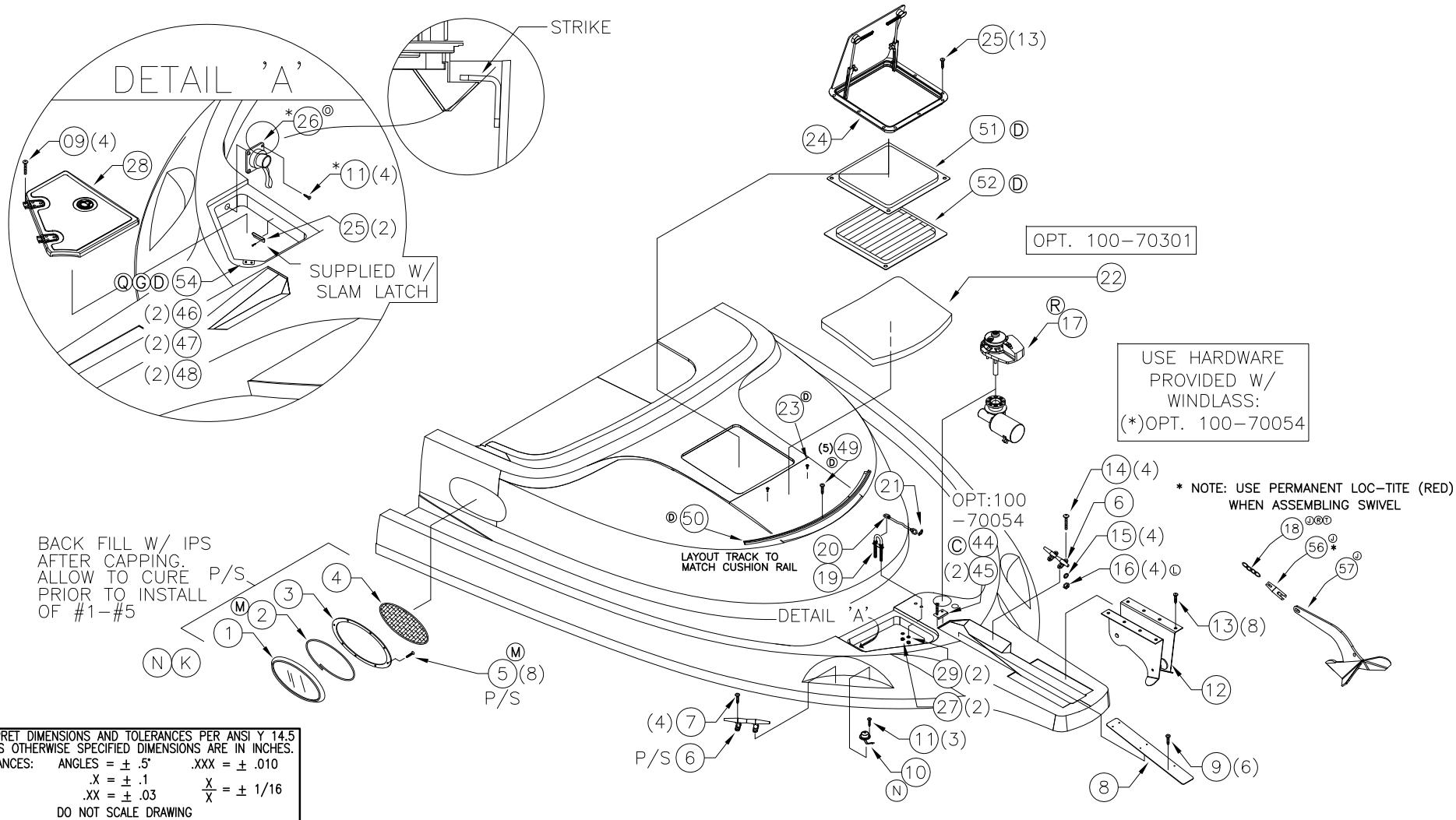
REV.
T

CURRENT ECD
09045941

NOTES:

1. REF. DWG. 16601 FOR DECK CUTOUT DETAILS.
2. ALL HARDWARE TO BE EMBEDDED WITH SILICONE SEALANT.

REVISIONS					
REV.	DESCR.	BY	DATE	APPVD.	ECN NO.
R	#17 WAS 1772549, #19 WAS 1788177	SLJ	11/26/07	AF	07124796
S	DELETED ITEM 45, 30 WAS 1213065, 42 WAS 1789220, SHEETS 4 & 5	SLJ	04/29/08	DH	08045135
T	CHANGED PART TO 9/16" FROM 5/8"	DGC	6/04/09	AVFR	09045941



INTERPRET DIMENSIONS AND TOLERANCES PER ANSI Y 14.5 UNLESS OTHERWISE SPECIFIED DIMENSIONS ARE IN INCHES.
 TOLERANCES: ANGLES = ± .5° .XXX = ± .010
 .X = ± .1 .XX = ± .03
 .XX = ± .03 X = ± 1/16
 DO NOT SCALE DRAWING



CHECKED: R. DURHAM	DATE: 8/29/2005	DRAWN: M.ZAFFUTO	DATE: 08/23/2005	SCALE: NONE	BOAT MODEL: 285CQ	MOLD NO.
APPD: K. RANIERI	DATE: 8/29/2005	DWG. TITLE: DECK OUTFIT FWD.			INIT. REL. ECN NO: 050362	DWG. NO: 06201
DESIGN: V.P. KNIGHT	DATE: 8/29/2005					SHT. NO. 1 of 5
INT. ENG: M. GATICA	DATE: 8/29/2005					

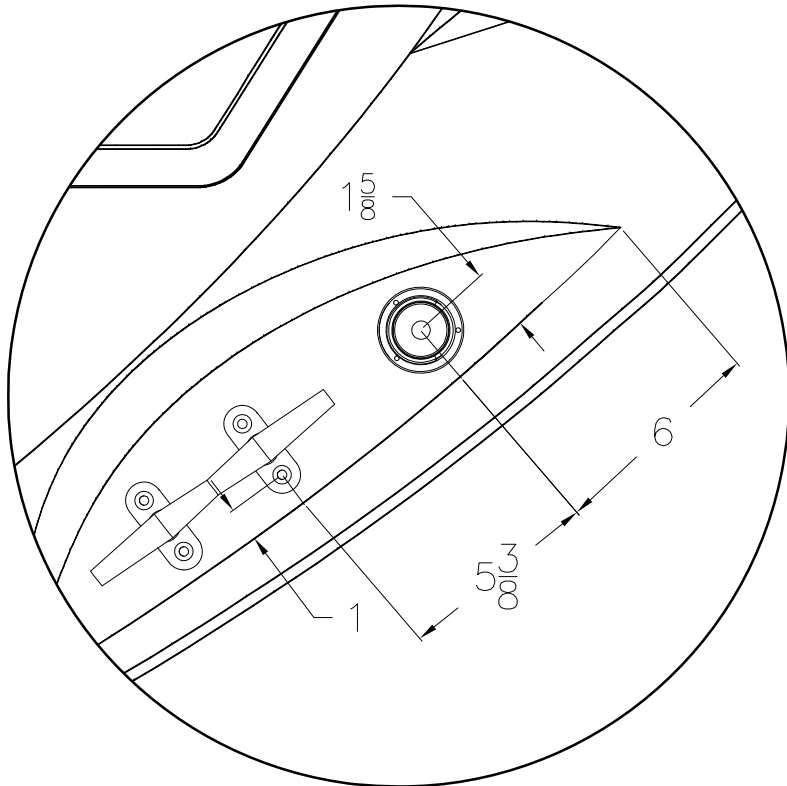
THIS DOCUMENT IS THE PROPERTY OF BOSTON WHALER, INC. MFG. DEPT., EDGEWATER, FLORIDA. ALL RIGHTS ARE RESERVED. THIS DOCUMENT AND INFORMATION CONTAINED MUST NOT BE COPIED OR DISCLOSED TO OTHERS WITHOUT WRITTEN PERMISSION OF BOSTON WHALER, INC.

DWG. NO:
06201

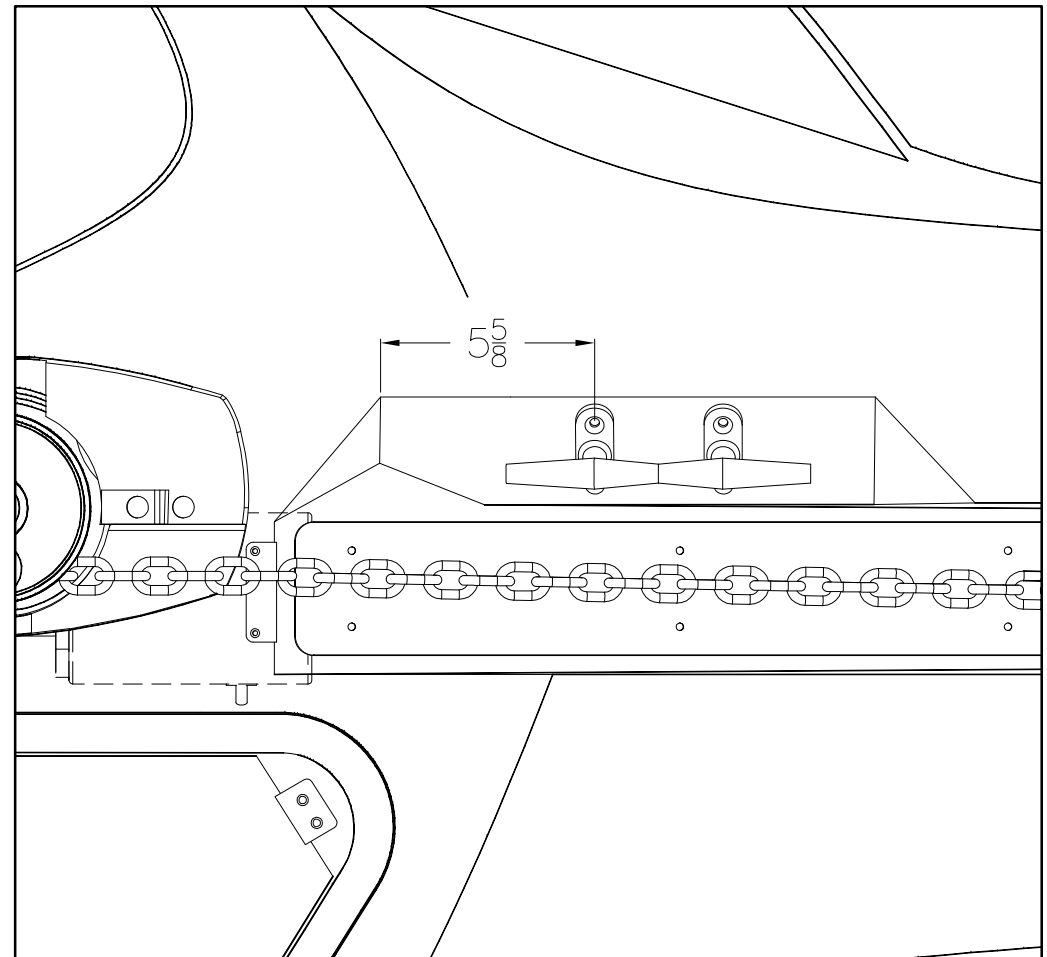
REV.
T

CURRENT ECD
09045941

ANCHOR CLEAT LOCATION



CLEAT & NAV LIGHT LOCATION
PORT & STBD
(SEE SHT. 1 FOR CALLOUTS)



BOSTON WHALER
PRODUCT DEV. & MFG. ENGINEERING GROUP

INTERPRET DIMENSIONS AND TOLERANCES PER ANSI Y 14.5
UNLESS OTHERWISE SPECIFIED DIMENSIONS ARE IN INCHES.
TOLERANCES: ANGLES = ± .5° .XXX = ± .010
.X = ± .1
.XX = ± .03 X = ± 1/16
DO NOT SCALE DRAWING

DRAWN: M.ZAFFUTO DATE: 08/23/05 SCALE: NONE

DWG. TITLE:

DECK OUTFIT FWD.

BOAT MODEL

285CQ

MOLD NO.

INIT. REL. ECN NO:

050362

DWG. NO:

06201

SHT. NO.

2 of 5

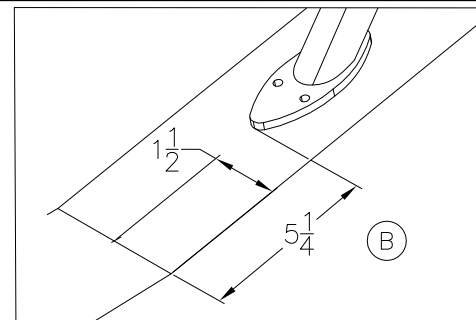
THIS DOCUMENT IS THE PROPERTY OF BOSTON WHALER, INC. MFG. DEPT., EDGEWATER, FLORIDA. ALL RIGHTS ARE RESERVED. THIS DOCUMENT AND INFORMATION CONTAINED MUST NOT BE COPIED OR DISCLOSED TO OTHERS WITHOUT WRITTEN PERMISSION OF BOSTON WHALER, INC.

DWG. NO:
06201

REV.
T

CURRENT ECD
09045941

REMAINING STANCHIONS
TO BE CENTERED AND
FASTENED ON LANDING.
P/S



AFT STANCHION
LOCATION
P/S

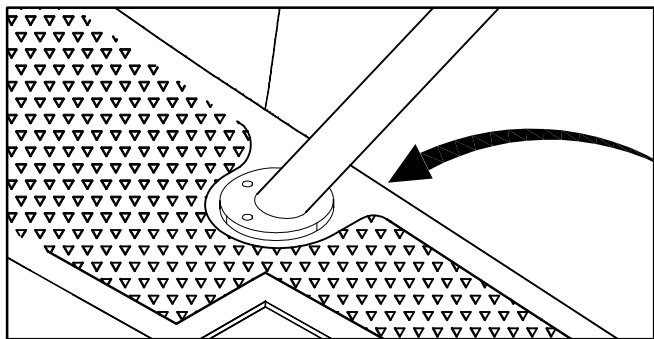
FILL ALL GAPS
BETWEEN DECK
AND LINER WITH IPS

(33)(2)
P/S

(31)

(30)(32)

PLACE FRONT STANCHIONS
CENTERED IN RADIUS
AREAS INSIDE NON-SKIT.



BOSTON WHALER
PRODUCT DEV. & MFG. ENGINEERING GROUP

INTERPRET DIMENSIONS AND TOLERANCES PER ANSI Y 14.5
UNLESS OTHERWISE SPECIFIED DIMENSIONS ARE IN INCHES.
TOLERANCES: ANGLES = ± .5° .XXX = ± .010
.X = ± .1 .XX = ± .03 X/X = ± 1/16
DO NOT SCALE DRAWING

DRAWN: M.ZAFFUTO

DATE: 08/23/05

SCALE: NONE

BOAT MODEL

MOLD NO.

285CQ

DWG. TITLE:

DECK OUTFIT FWD.

INIT. REL. ECN NO:

DWG. NO:

SHT. NO.

050362

06201

3 OF 5

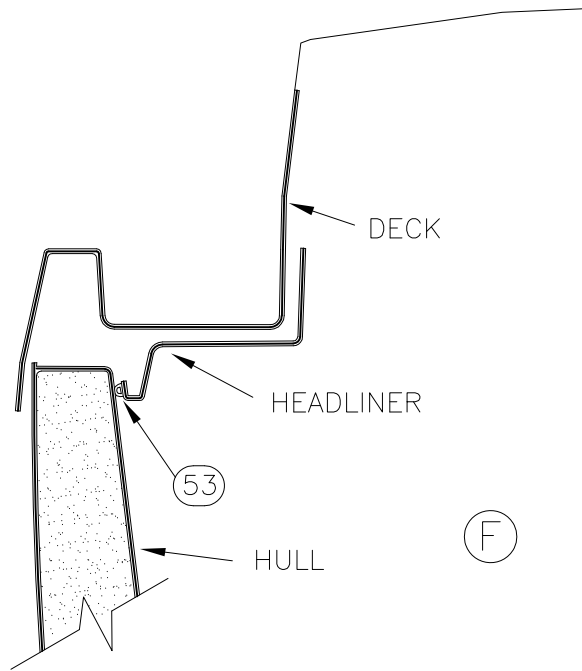
THIS DOCUMENT IS THE PROPERTY OF BOSTON WHALER, INC. MFG. DEPT., EDGEWATER, FLORIDA. ALL RIGHTS ARE RESERVED. THIS DOCUMENT AND INFORMATION CONTAINED MUST NOT BE COPIED OR DISCLOSED TO OTHERS WITHOUT WRITTEN PERMISSION OF BOSTON WHALER, INC.

DWG. NO:
06201

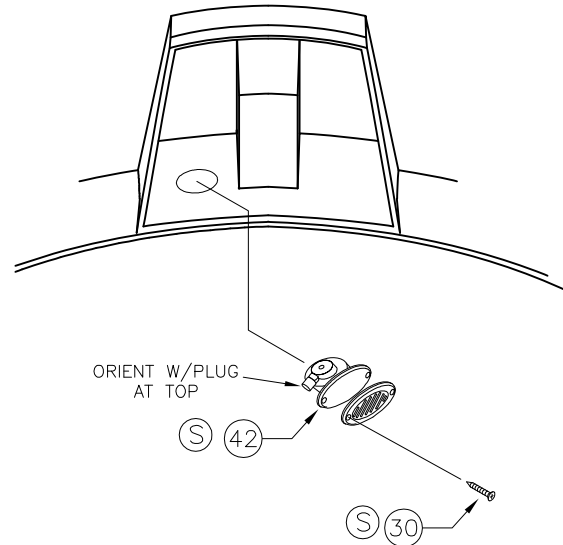
REV.
T

CURRENT ECD
09045941

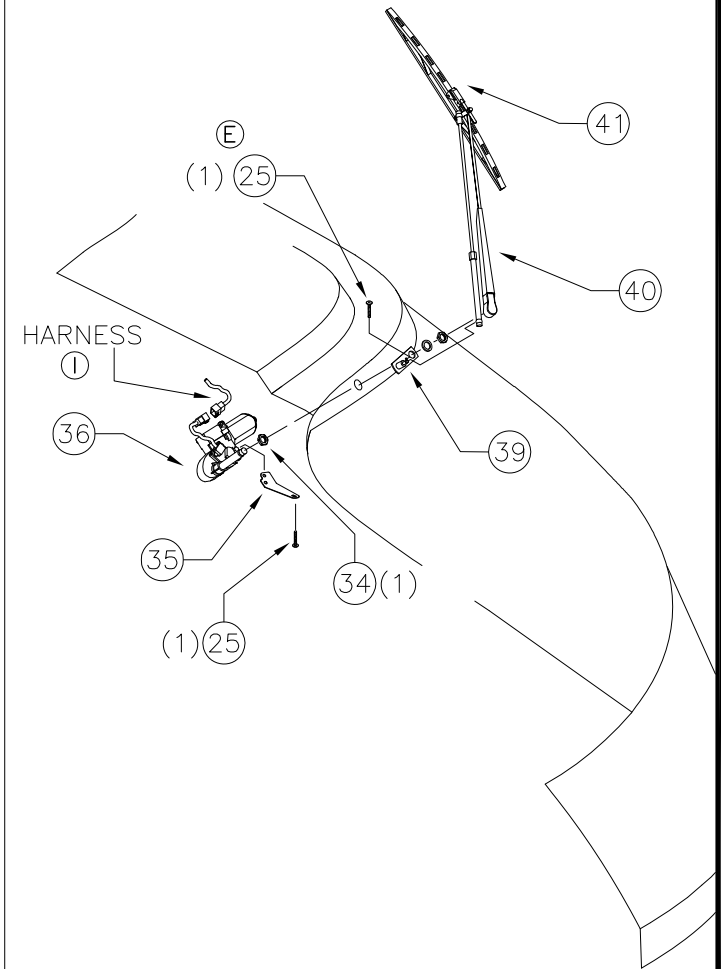
HORN INSTALLATION
BOW VIEW-BOTTOM OF PULPIT



SECTION THRU
HULL, DECK & LINER
AT V-BERTH



WIPER MOTOR INSTALLATION
PORT BOW SECTION VIEW
STBD MIRROR IMAGE




THIS DOCUMENT IS THE PROPERTY OF BOSTON WHALER, INC. MFG. DEPT., EDGEWATER, FLORIDA. ALL RIGHTS ARE RESERVED. THIS DOCUMENT AND INFORMATION CONTAINED MUST NOT BE COPIED OR DISCLOSED TO OTHERS WITHOUT WRITTEN PERMISSION OF BOSTON WHALER, INC.

DWG. NO:
06201

REV.
T

CURRENT ECD
09045941

Parts List				
ITEM	QTY	U/M	DESCRIPTION	B.W.I. NO
(N) 1	2	EA.	PORTLIGHT, ELLIPSE 6"X 16" SS N/TRIM RING	1849989
(M)(A) 2	7	FT.	PORTLIGHT, GASKET 3/8" SATURATED FOAM	1615194
(N)(H) 3	1	EA.	TRIM RING, PORTLIGHT 6"X 16" THIN SS	1849991
(N) 4	2	EA.	SCREEN, PORTLIGHT ELLIPSE 6"X 16"SS	1849987
(M) 5	16	EA.	SCREW, MACHINE #8-32 X 1.25" POH SC	1214741
6	3	EA.	CLEAT, 8" SS HVY DUTY HOLLOW BASE	1027010
7	8	EA.	SCREW, MACHINE #5/16-18 X 1.25" PFH SC	1213289
8	1	EA.	CHAFE PLT, BW285CQ-06 PLSHD SS ANCH CHUTE	1811822
9	10	EA.	SCREW, TAPPING #10A X 1" POH SC	1008507
(P) 10	1	PR.	LIGHT, NAV LED SURF HORIZ MT SS	1888325
11	10	EA.	SCREW, TAPPING #4A x 1" PPH SC	1010636
12	1	EA.	DAVIT, ANCHOR W/ROLLER 285CQ-06 SS	1812447
13	8	EA.	SCREW, MACHINE #1/4-20 X 1" PFH SC	1009950
14	4	EA.	SCREW, MACHINE #1/4-20 X 2" PFH SC	1235308
(B) 15	4	EA.	WASHER, FLAT #1/4" SC	1260769
(L)(B) 16	4	EA.	NUT, LOCK #1/4-20 SC STD PATT	1009786
(R) 17	1	EA.	WINDLASS, RP/CHN ANTARES 1000W 12V 5/16" GYP	1883925
(T)(R) 18	1	EA.	ROPE/CHN KT, QUICK 9/16" X 200'/5/16"X 25'	1943404
19	1	EA.	EYE, BOW 3/8"X 2.75"	0697508
20	1	EA.	LANYARD, CABLE ANCHOR 3/16" SS	1104595
21	1	EA.	HOOK, SNAP 5/16"X 3 1/8" SS	0819334
22	1	EA.	CUSH, BW285CQ-06 BOW	1808855
(D) 23	2	EA.	SNAP STUD, W/#8 X 3/8" PH BR/NI/SS	0203786
24	1	EA.	HATCH, DECK 19.25X19.25	1028208
(E)(A) 25	19	EA.	SCREW, TAPPING #8A X 5/8" PTH SC	1010925
(O) 26	1	EA.	WINDLASS, REMOTE CNTRL HRC 1002	1883923
27	2	EA.	NUT, HEX NYLON LOCK #3/8-16 SC	1007798
28	1	EA.	ANCHOR LOCKER COVER SUB-ASSEMBLY	09402
29	2	EA.	WASHER, FLAT #3/8" SC	1260793
(S) 30	2	EA.	SCREW, TAPPING #10A X 1" POH SC	1008507
31	1	EA.	RAIL, BW285CQ-06 BOW SS	1803665
32	30	EA.	SCREW, MACHINE #1/4-20 X 1" PPH SC	1008580
33	4	EA.	SCREW, TAPPING #10A X 1" PPH SC	1213131
34	2	EA.	NUT, HEX #5/8-24 PLATED	1751374
35	2	EA.	BRACKET, BW305CQ-04 WIPER MTR SUPPORT	1762882
36	2	EA.	WIPER, MOTOR ASSY 65DEG 2" SHAFT N/PARK	1702211
(I) 37	2	EA.	HARNES, MOTOR AM WIPER 6" PICTAIL 4-WIRE	1760173
(E) 38	2	EA.	SCREW, TAPPING #8A X 3/4" PTH SC	1010651
39	2	EA.	WIPER ARM, ADAPTER PANTAGRAPH SHORT	1756055
40	2	EA.	WIPER ARM, 18" PANTOGRAPH BLK (AM)	1756126
41	2	EA.	WIPER BLADE, 17" FLEX BLACK (AM)	1756125
(S) 42	1	EA.	HORN, SGL CONCEALED W/SS GRILL/CONN	1837054
(S) 43	1	EA.	HORN, GRILL SGL SS OVERLAY RND SERIES 84300	1789221
(G)(D) 44	1	EA.	CHAFE PLT, BW305CQ-05 POLISHED SS ANGLE	1801786
(C) 45	2	EA.	SCREW, TAPPING #8A X 3/4" PFH SC	1008408
(D) 46	2	EA.	SCREW, MACHINE #8-32 X 1" PFH SC	1010230
(D) 47	2	EA.	NUT, HEX NYLON LOCK #8-32 SC	1260728
(D) 48	2	EA.	WASHER, FLAT #8 SC	1326297
(D) 49	5	EA.	SCREW, TAPPING #8A X 3/4" PFH SC	1008408
(D) 50	.2	EA.	TRACK, PVC RIGID 10' WHT	1617398
(D) 51	1	EA.	TRIM RING, HATCH 1/4"LIP	1028232
(D) 52	1	EA.	SCREEN, DECK HATCH 18X18	1028224
(F) 53	20	FT.	TRIM-SEAL, #X1333BT SELF-ADH BLK	1232156
(Q) 54	1	EA.	FRAME, BW-08 EDGE GUARD SS	1887724
(N)(K) 55	1	EA.	TRIM RING, PORTLIGHT 6"X 16" REG SLVR	1615178
(J) 56	1	EA.	ANCHOR HDWR, SS SWIVEL 1/4"-5/16" 1550LBS	1846735
(J) 57	1	EA.	ANCHOR, 25LB PLOW	1733352

 <p>BOSTON WHALER PRODUCT DEV. & MFG. ENGINEERING GROUP</p>	<p>INTERPRET DIMENSIONS AND TOLERANCES PER ANSI Y 14.5 UNLESS OTHERWISE SPECIFIED DIMENSIONS ARE IN INCHES. TOLERANCES: ANGLES = ± .5° X = ± .1 .XX = ± .03 X = ± 1/16 X = ± .010</p>	<p>SCALE: NONE</p>	<p>DATE: 08/23/05</p>	<p>DRAWN: M.ZAFFUTO</p>	<p>BOAT MODEL 285CQ</p>	<p>MOLD NO.</p>
	<p>DWG. TITLE: DECK OUTFIT FWD.</p>	<p>INIT. REL. ECD NO: 050362</p>	<p>DWG. NO: 06201</p>	<p>SHT. NO. 5 of 5</p>		

THIS DOCUMENT IS THE PROPERTY OF BOSTON WHALER, INC. MFG. DEPT., EDGEWATER, FLORIDA. ALL RIGHTS ARE RESERVED. THIS DOCUMENT AND INFORMATION CONTAINED MUST NOT BE COPIED OR DISCLOSED TO OTHERS WITHOUT WRITTEN PERMISSION OF BOSTON WHALER, INC.

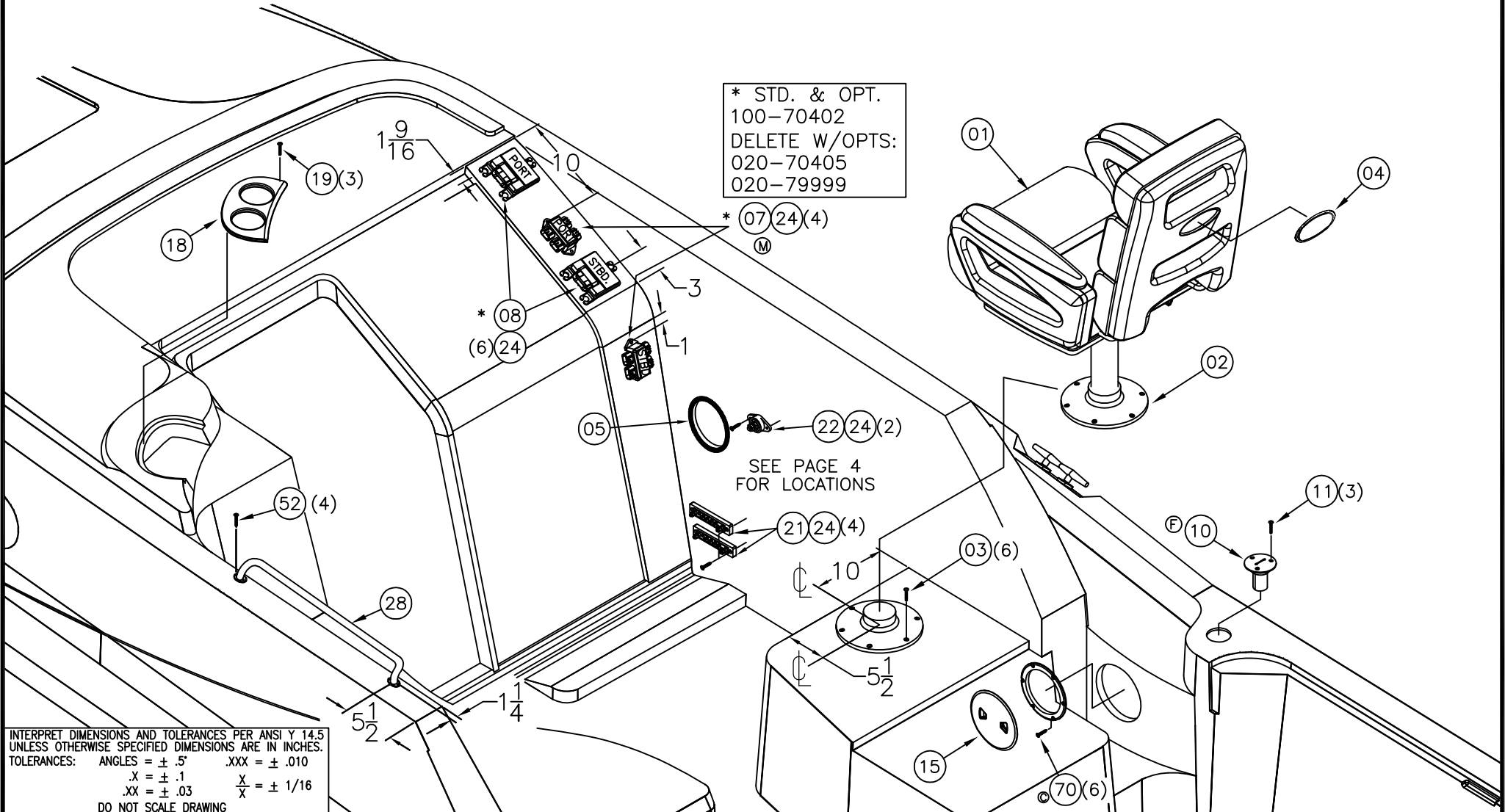
DWG. NO: 06202 REV. Q CURRENT ECD 09056007

REVISIONS

REV.	DESCR.	BY	DATE	APPVD.	ECN NO.
M	MYE '08:PG 1 DELETE J-BOX; PG 9 QTY ITEM #7 WAS 3, DELETE ITEMS #73 AND #74	JAH	04/24/07	RA	07044230
N	DELETED ITEMS 23, 25 & 76, PG 1. #53 WAS 1839920	SLJ	12/11/07	AF	07124796
O	CHANGED PT#1355585,1109370 TO 1911342,996371	TJ	7/15/08	AF	08055263
P	CHANGED P/N :1911342, AND 996371 TO P/N: 1971021 AND 1971016. ALSO DELETED P/N: 1098615	DC	9/10/09	AVR	09086148
Q	DELETED ITEM #75, SHEETS 1 & 9; ITEM #24 QTY 16 WAS 18	SBL	10/21/09	HW	09056007

NOTES:

- REF. DWG. 01201 FOR FIXTURE LIST.
- REF. DWG. 16601 FOR DECK CUTOUT DETAILS.



INTERPRET DIMENSIONS AND TOLERANCES PER ANSI Y 14.5 UNLESS OTHERWISE SPECIFIED DIMENSIONS ARE IN INCHES.
TOLERANCES: ANGLES = ± .5° .XXX = ± .010
.X = ± .1 .XX = ± .03 X = ± 1/16
DO NOT SCALE DRAWING



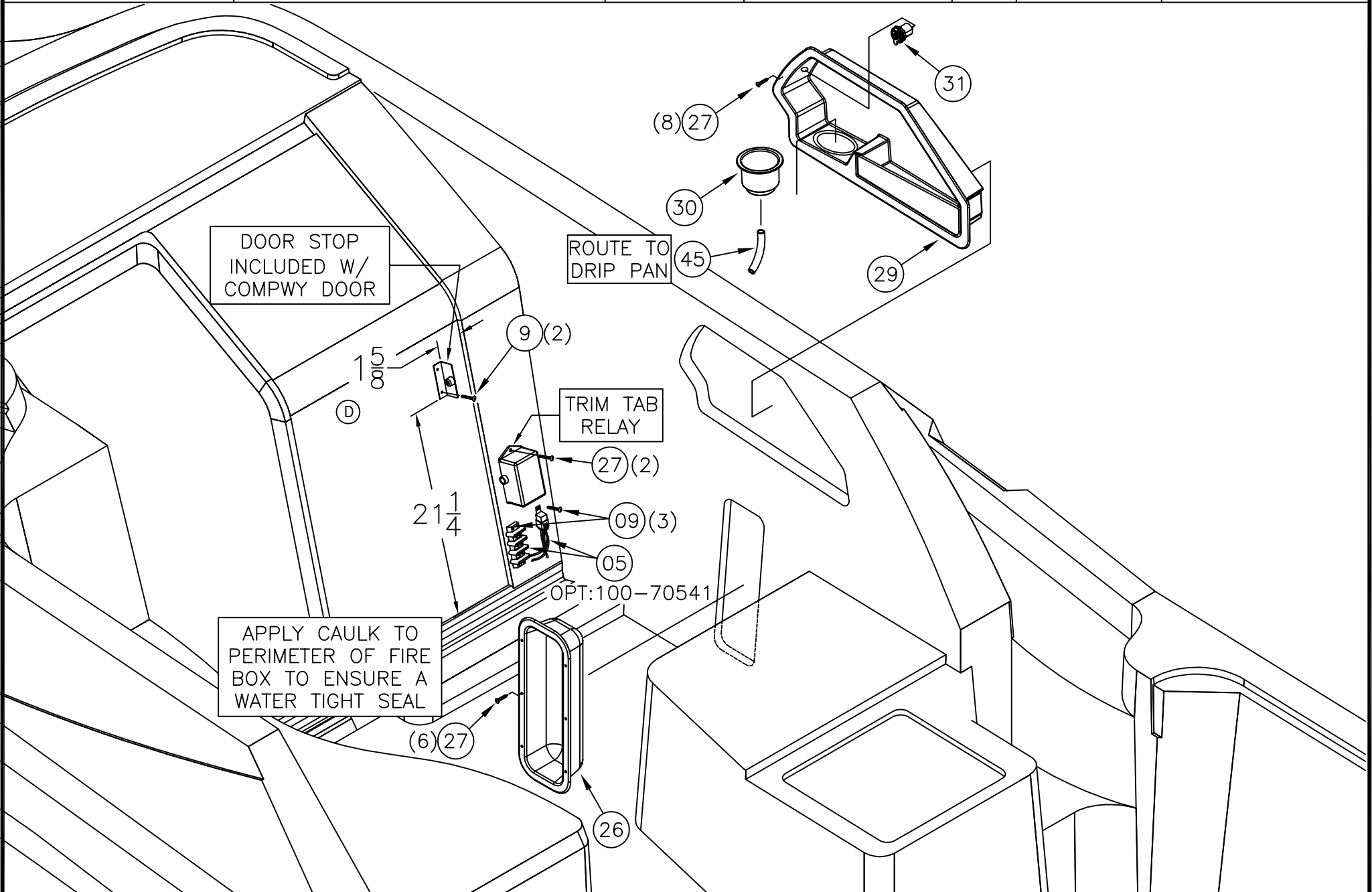
CHECKED: R.AVILA	DATE: 10/13/05	DRAWN: M.ZAFFUTO	DATE: 10/11/05	SCALE: NONE	BOAT MODEL 285CQ	MOLD NO.
APPD: K.RANIERI	DATE: 10/13/05	DWG. TITLE: DECK OUTFIT, MIDSHIP			INIT. REL. ECN NO: 050362	DWG. NO: 06202
DESIGN: V.KNIGHT	DATE: 10/13/05					SHT. NO. 1 of 9
INT. ENG: M. GATICA	DATE: 10/19/05					

THIS DOCUMENT IS THE PROPERTY OF BOSTON WHALER, INC. MFG. DEPT., EDGEWATER, FLORIDA. ALL RIGHTS ARE RESERVED. THIS DOCUMENT AND INFORMATION CONTAINED MUST NOT BE COPIED OR DISCLOSED TO OTHERS WITHOUT WRITTEN PERMISSION OF BOSTON WHALER, INC.

DWG. NO:
06202

REV.
Q

CURRENT ECD
09056007



INTERPRET DIMENSIONS AND TOLERANCES PER ANSI Y 14.5 UNLESS OTHERWISE SPECIFIED DIMENSIONS ARE IN INCHES.
 TOLERANCES: ANGLES = ± .5° .XXX = ± .010
 .X = ± .1 X = ± 1/16
 .XX = ± .03 X = ± 1/16
 DO NOT SCALE DRAWING

DRAWN: M.ZAFFUTO

DATE: 09/27/05

SCALE: NONE

BOAT MODEL

MOLD NO.

285CQ

DWG. TITLE:

DECK OUTFIT, MIDSHIP

INIT. REL. ECN NO:

DWG. NO:

SHT. NO.

050362

06202

2 of 9

THIS DOCUMENT IS THE PROPERTY OF BOSTON WHALER, INC. MFG. DEPT., EDGEWATER, FLORIDA. ALL RIGHTS ARE RESERVED. THIS DOCUMENT AND INFORMATION CONTAINED MUST NOT BE COPIED OR DISCLOSED TO OTHERS WITHOUT WRITTEN PERMISSION OF BOSTON WHALER, INC.

DWG. NO:
06202

REV.
Q

CURRENT ECD
09056007

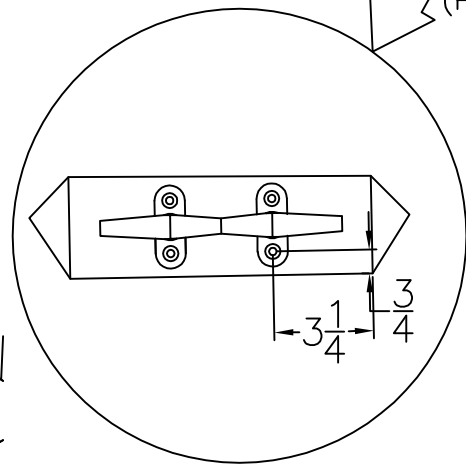
AFT FACING
PORTLIGHT INSTALL'N

(10) 48

47[®]

46

MIDSHIP PORTLIGHT
TO BE INSTALLED
AFTER HEADLINER.



(P/S) 16

(4) 03

(P/S)

11 (3)

14

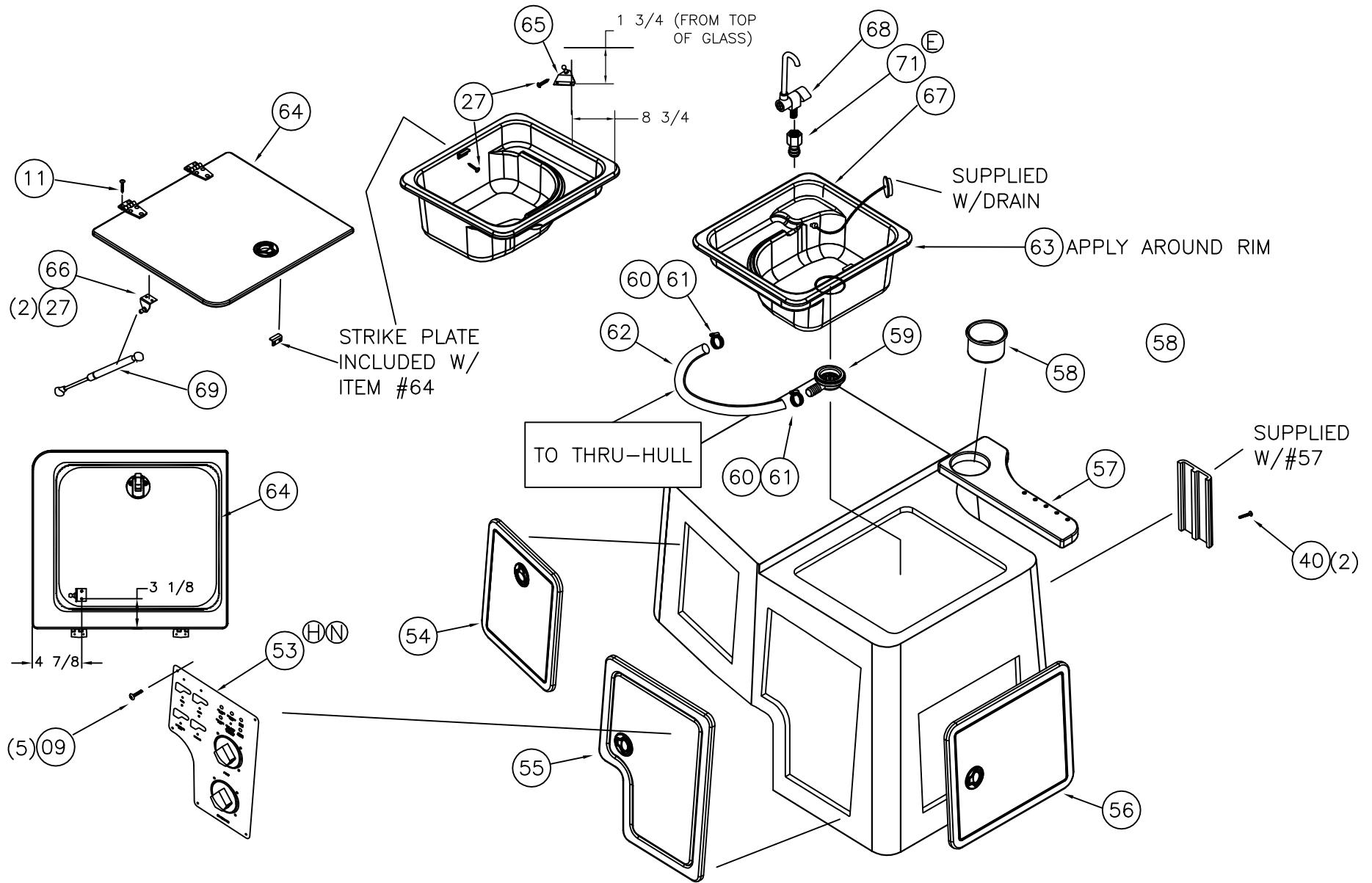
06 (8)

49 50 51



INTERPRET DIMENSIONS AND TOLERANCES PER ANSI Y 14.5 UNLESS OTHERWISE SPECIFIED DIMENSIONS ARE IN INCHES.
TOLERANCES: ANGLES = ± .5° .XXX = ± .010
.X = ± .1 .XX = ± .03 X = ± 1/16
DO NOT SCALE DRAWING

DRAWN: M.ZAFFUTO	DATE: 09/27/05	SCALE: NONE	BOAT MODEL 285CQ	MOLD NO.
DWG. TITLE: DECK OUTFIT, MIDSHIP			INIT. REL. ECN NO: 050362	DWG. NO: 06202
				SHT. NO. 3 of 9

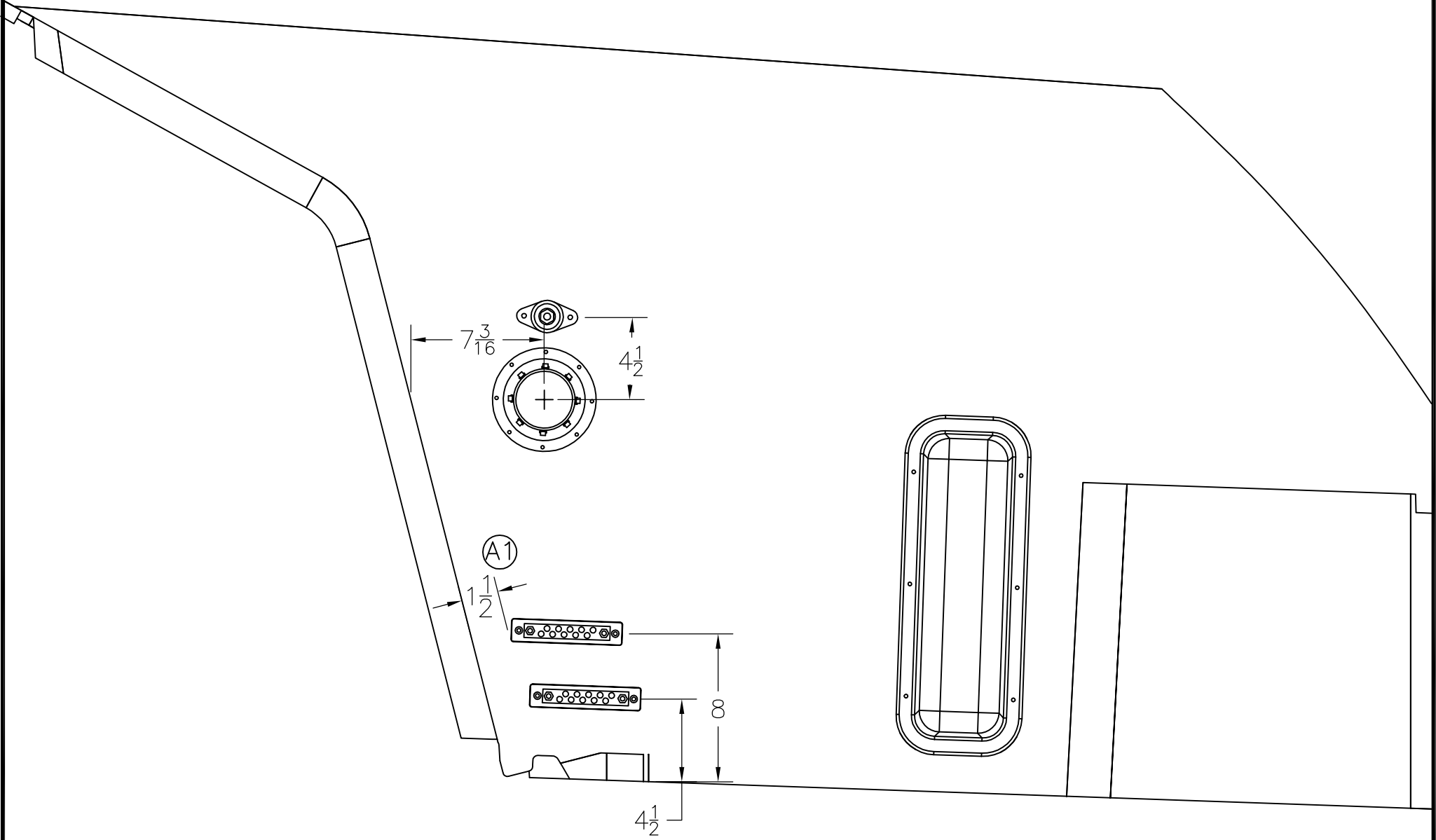


THIS DOCUMENT IS THE PROPERTY OF BOSTON WHALER, INC. MFG. DEPT.,
 EDGEWATER, FLORIDA. ALL RIGHTS ARE RESERVED. THIS DOCUMENT AND
 INFORMATION CONTAINED MUST NOT BE COPIED OR DISCLOSED TO OTHERS
 WITHOUT WRITTEN PERMISSION OF BOSTON WHALER, INC.

DWG. NO:
 06202

REV.
 Q

CURRENT ECD
 09056007



INTERPRET DIMENSIONS AND TOLERANCES PER ANSI Y 14.5
 UNLESS OTHERWISE SPECIFIED DIMENSIONS ARE IN INCHES.
 TOLERANCES: ANGLES = ± .5° .XXX = ± .010
 .X = ± .1 X = ± 1/16
 .XX = ± .03
 DO NOT SCALE DRAWING

DRAWN: M.ZAFFUTO DATE: 09/27/05 SCALE: NONE

DWG. TITLE:
 DECK OUTFIT, MIDSHIP

BOAT MODEL
 285CQ

MOLD NO.

INIT. REL. ECN NO:
 050362

DWG. NO:
 06202

SHT. NO.

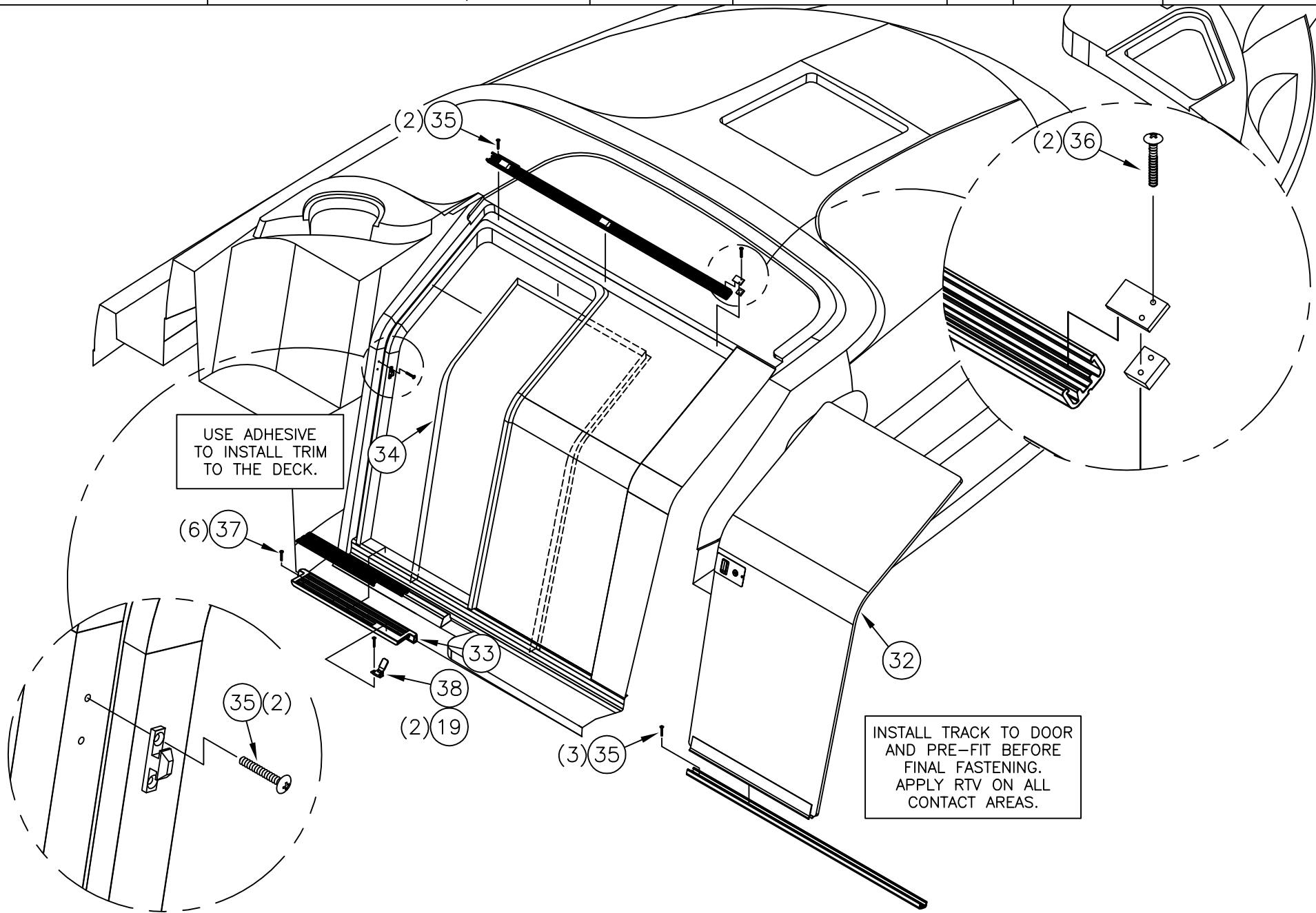
5 OF 9

THIS DOCUMENT IS THE PROPERTY OF BOSTON WHALER, INC. MFG. DEPT., EDGEWATER, FLORIDA. ALL RIGHTS ARE RESERVED. THIS DOCUMENT AND INFORMATION CONTAINED MUST NOT BE COPIED OR DISCLOSED TO OTHERS WITHOUT WRITTEN PERMISSION OF BOSTON WHALER, INC.

DWG. NO:
06202

REV.
Q

CURRENT ECD
09056007



USE ADHESIVE TO INSTALL TRIM TO THE DECK.

INSTALL TRACK TO DOOR AND PRE-FIT BEFORE FINAL FASTENING. APPLY RTV ON ALL CONTACT AREAS.



INTERPRET DIMENSIONS AND TOLERANCES PER ANSI Y 14.5 UNLESS OTHERWISE SPECIFIED DIMENSIONS ARE IN INCHES.
 TOLERANCES: ANGLES = ± .5° .XXX = ± .010
 .X = ± .1 X = ± 1/16
 .XX = ± .03
 DO NOT SCALE DRAWING

DRAWN: M.ZAFFUTO DATE: 09/27/05 SCALE: NONE
 DWG. TITLE: DECK OUTFIT, MIDSHIP

BOAT MODEL: 285CQ
 INIT. REL. ECN NO: 050362

MOLD NO.
 DWG. NO: 06202

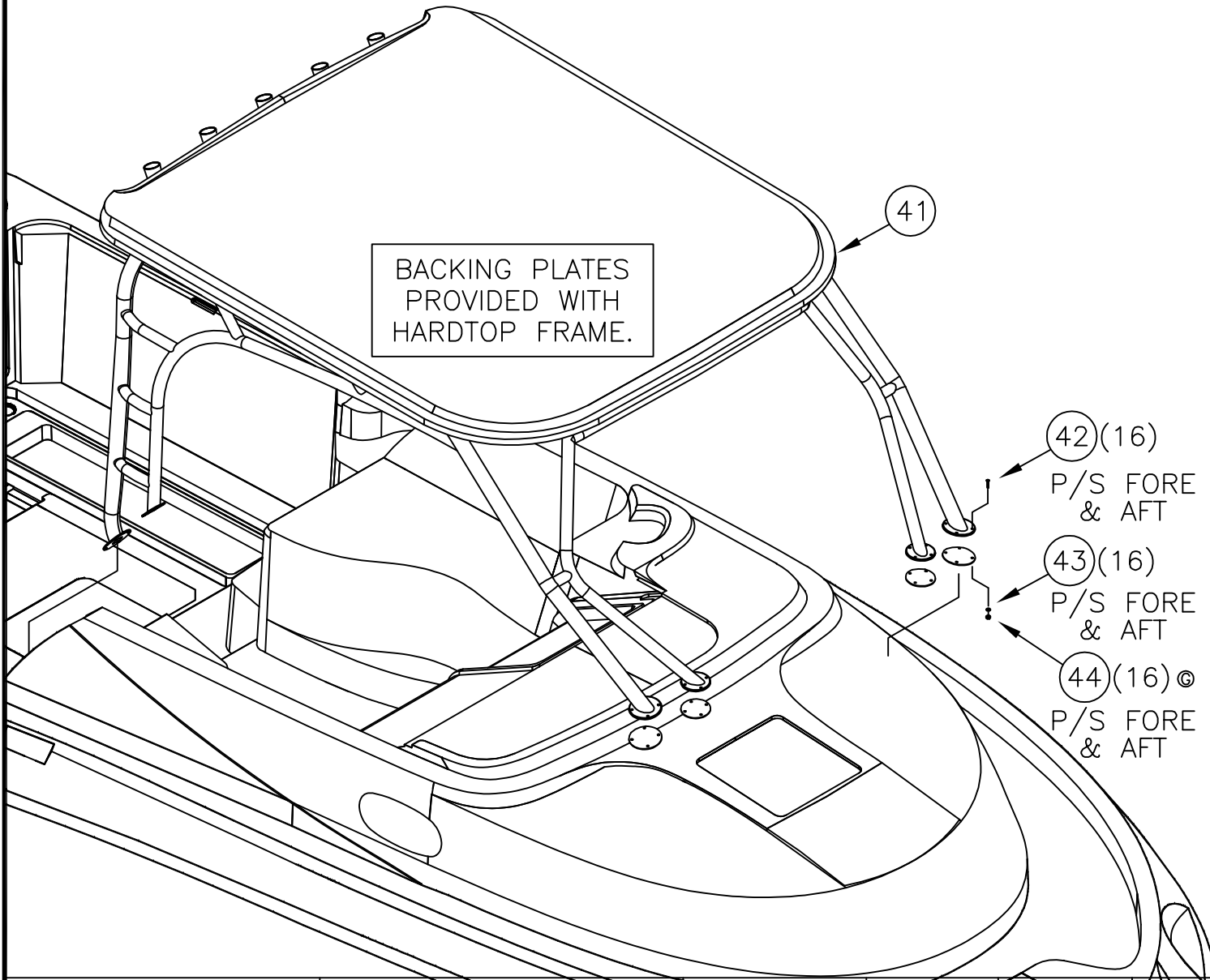
SHT. NO. 6 OF 9

THIS DOCUMENT IS THE PROPERTY OF BOSTON WHALER, INC. MFG. DEPT., EDGEWATER, FLORIDA. ALL RIGHTS ARE RESERVED. THIS DOCUMENT AND INFORMATION CONTAINED MUST NOT BE COPIED OR DISCLOSED TO OTHERS WITHOUT WRITTEN PERMISSION OF BOSTON WHALER, INC.

DWG. NO:
06202

REV.
Q

CURRENT ECD
09056007



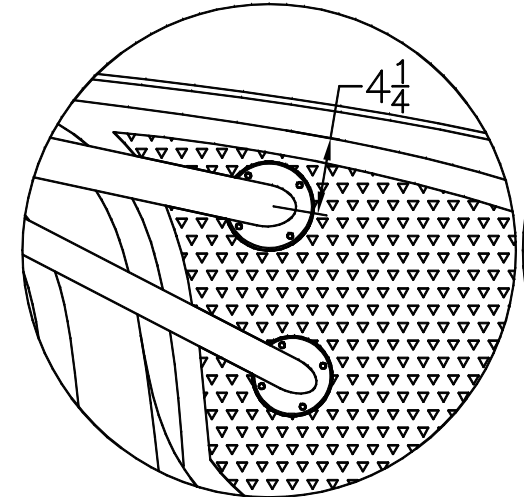
BACKING PLATES
PROVIDED WITH
HARDTOP FRAME.

41

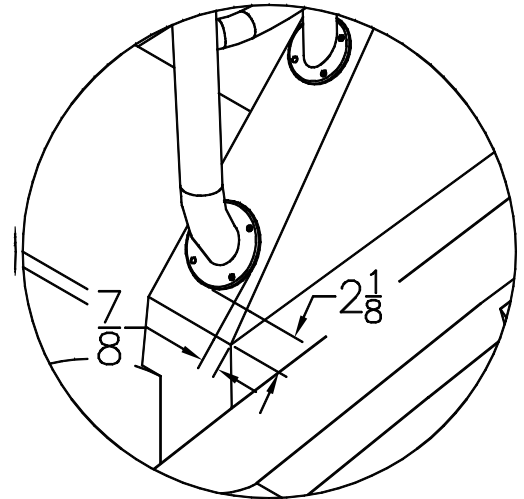
42 (16)
P/S FORE
& AFT

43 (16)
P/S FORE
& AFT

44 (16) ©
P/S FORE
& AFT



4 1/4



7/8

2 1/8



INTERPRET DIMENSIONS AND TOLERANCES PER ANSI Y 14.5 UNLESS OTHERWISE SPECIFIED DIMENSIONS ARE IN INCHES.
TOLERANCES: ANGLES = ± .5° .XXX = ± .010
.X = ± .1 X = ± 1/16
.XX = ± .03
DO NOT SCALE DRAWING

DRAWN: M.ZAFFUTO

DATE: 09/27/05

SCALE: NONE

BOAT MODEL

285CQ

MOLD NO.

DWG. TITLE:

DECK OUTFIT, MIDSHIP

INIT. REL. ECN NO:

050362

DWG. NO:

06202

SHT. NO.

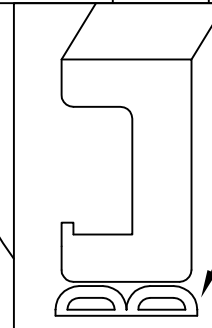
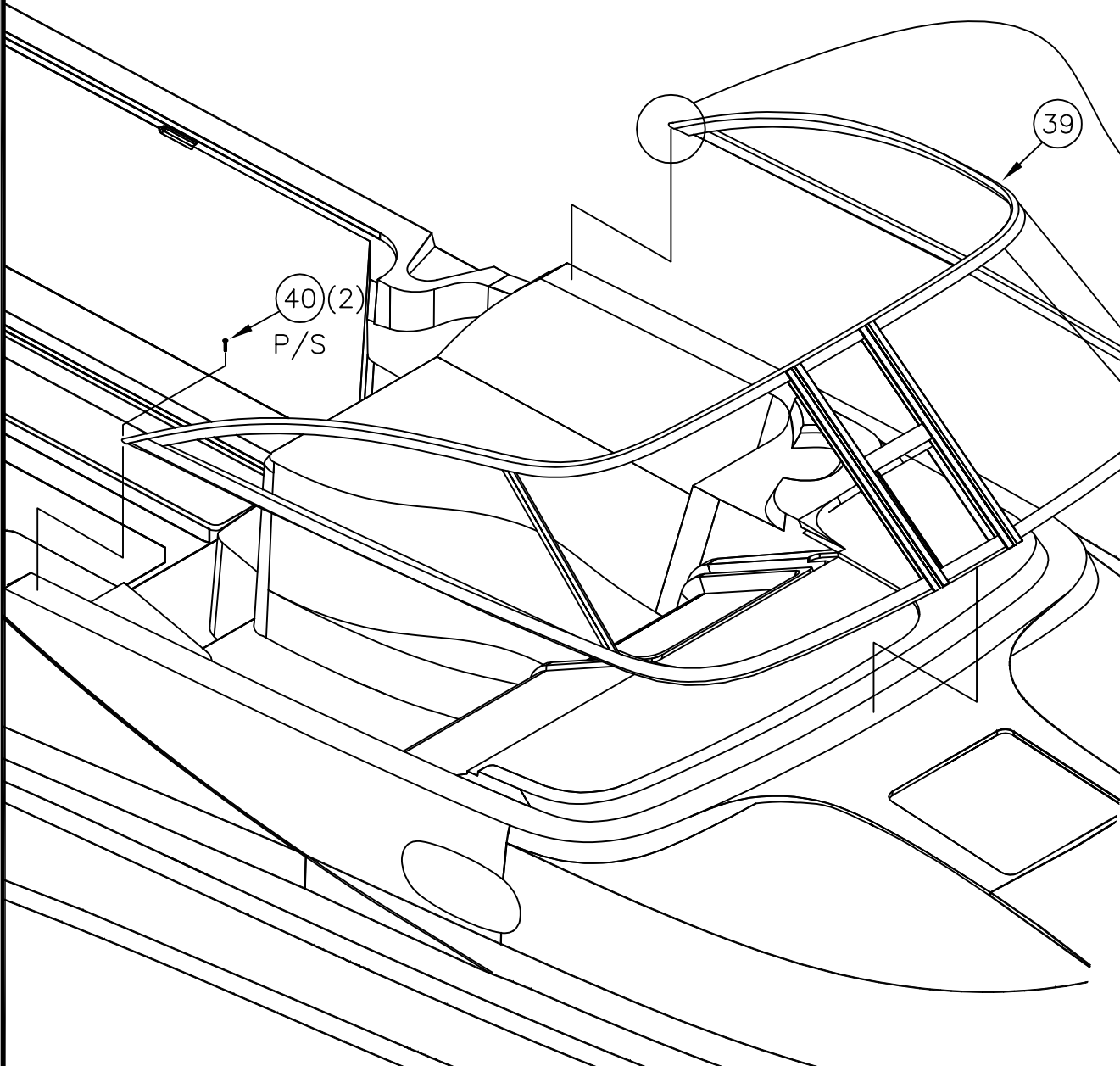
7 of 9

THIS DOCUMENT IS THE PROPERTY OF BOSTON WHALER, INC. MFG. DEPT., EDGEWATER, FLORIDA. ALL RIGHTS ARE RESERVED. THIS DOCUMENT AND INFORMATION CONTAINED MUST NOT BE COPIED OR DISCLOSED TO OTHERS WITHOUT WRITTEN PERMISSION OF BOSTON WHALER, INC.

DWG. NO:
06202

REV.
Q

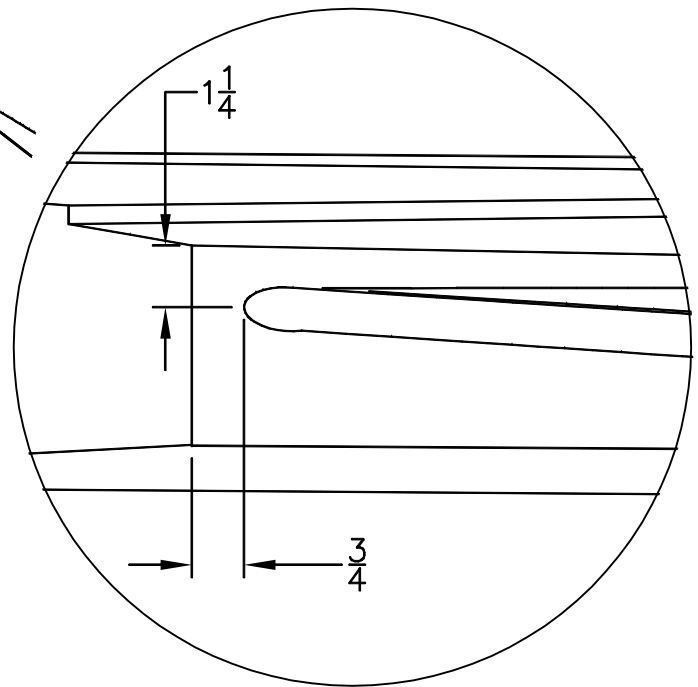
CURRENT ECD
09056007



INSTALL DOUBLE "D"
GASKET UNDER WINDSHIELD:
SUPPLIED W/WINDSHIELD.

USE MOUNTING
HARDWARE SUPPLIED
BY VENDOR (22 PCS).

PEEL BACK RUBBER
& INSTALL SCREWS



INTERPRET DIMENSIONS AND TOLERANCES PER ANSI Y 14.5
UNLESS OTHERWISE SPECIFIED DIMENSIONS ARE IN INCHES.
TOLERANCES: ANGLES = ± .5° .XXX = ± .010
.X = ± .1 X = ± 1/16
.XX = ± .03

DO NOT SCALE DRAWING

DRAWN: M.ZAFFUTO

DATE: 09/27/05

SCALE: NONE

BOAT MODEL

MOLD NO.

285CQ

DWG. TITLE:

DECK OUTFIT, MIDSHIP

INIT. REL. ECN NO:

DWG. NO:

SHT. NO.

050362

06202

8 of 9

THIS DOCUMENT IS THE PROPERTY OF BOSTON WHALER, INC. MFG. DEPT. EDGEWATER, FLORIDA. ALL RIGHTS ARE RESERVED. THIS DOCUMENT AND INFORMATION CONTAINED MUST NOT BE COPIED OR DISCLOSED TO OTHERS WITHOUT WRITTEN PERMISSION OF BOSTON WHALER, INC.

DWG. NO:
06202

REV.
Q

CURRENT ECO
09056007

Parts List					
ITEM	QTY	U/M	DESCRIPTION	B.W.I.	NO.
01	1	EA.	SEAT, HELM BW305CQ-05 W/CUSH/SLIDE MILLENNIUM	1785511	
02	1	EA.	PEDESTAL, ALUM 6.5" FLUTED MILLENNIUM	1747428	
03	14	EA.	SCREW, MACHINE #1/4-20 X 1.25" PFH SC	1213289	
04	1	EA.	DECAL, BW LOGO 5.75" BLK/CHR (DRIP MOLD)	1745888	
05	0.5	FT.	HOSE, CONDUIT/SPLIT 3/8" FLAME RETARDANT	1501832	
06	8	EA.	RIVET, POP/BLIND #3/16 X 1" ALUM	0324715	
07	2	EA.	ACC PART, MERC S-CRFT JUNC BOX 4-WAY	1507326	
08	1	EA.	ACC PART, MERC DUAL CNSL CMM KIT GEN I	1849607	
09	10	EA.	SCREW, TAPPING #10A X 1" PTH SC	1008739	
10	1	EA.	DECK PLATE, WASTE CHR STRAIGHT NCK N/CLR CODE	1971021	
11	10	EA.	SCREW, TAPPING #10A X 1" POH SC	1008507	
12	1	EA.	WASHER, FLAT #10 SC	1260751	
13	1	EA.	NUT, HEX NYLON LOCK #10-24 SC	1007772	
14	1	EA.	DECK PLATE, GAS CHR W/VENT STRAIGHT NECK	1971016	
15	1	EA.	ACCESS PLATE, POLYPROP TWIST-OUT 5" WHT BWI	1016153	
16	2	EA.	CLEAT, 8" SS HVY DUTY HOLLOW BASE	1027010	
17	1	EA.	DRAIN, HATCH 3/4" BARB W/NUT 90DEG WHT	1058841	
18	1	EA.	HOLDER, ACRY BW305CQ-04 CUP	1757721	
19	5	EA.	SCREW, TAPPING #8A X 1" POH SC	1213065	
20	1	EA.	SCREW, MACHINE #10-24 X 1.5" POH SC	1305788	
21	2	EA.	BUSS BAR, 12-GANG 2SGL POST 5/16" STUD 250AMP	1138957	
22	1	EA.	BUSS BAR, SGL POST 3/8-16	1013606	
23	1	EA.	WINDLASS SOLENOID, LOFRANS CONTROL BOX 12V	0798447	
24	16	EA.	SCREW, TAPPING #10A X 3/4" PPH SC	1172030	
25	2	EA.	SCREW, TAPPING #10A X 3/4" PTH SC	1008762	
26	1	EA.	BOX, ABS BW-97 FIRE EXT LONG WHT	1037480	
27	22	EA.	SCREW, TAPPING #8A X 5/8" PTH SC	1010925	
28	1	EA.	RAIL, GRAB BW205EP-05 N/STUD 1" SS	1781366	
29	1	EA.	POCKET, ABS BW285CQ-06 STB SIDE	1811832	
30	1	EA.	DRINKHOLDR, PLAS W/DRAIN DEEP XLG SZ BLK	1727419	
31	1	EA.	RECEPTACLE, FEMALE 12V LONG THRD BLK	1287283	
32	1	EA.	DOOR, ACRY BW285CQ-06 COMPWY CMLPT	1809848	
33	1	EA.	THRESHOLD, HDPE BW285CQ-06 COMPWY	1811833	
34	1	EA.	TRIM, PVC BW285CQ-06 COMPWY	1812625	
35	7	EA.	SCREW, TAPPING #8A X 3/4" PFH SC	1008408	
36	2	EA.	SCREW, TAPPING #6A X 3/4" PTH SC	1010917	
37	6	EA.	SCREW, TAPPING #10A X 1.25" PFH SC	1259415	
38	1	EA.	STOP, SLIDING DOOR/WINDOW CHR	0765800	
39	1	EA.	W/S, BW285CQ-06	1803650	
40	4	EA.	SCREW, TAPPING #8A X 1.5" POH SC	1255462	
41	1	EA.	HARDTOP SUB-ASSEMBLY	08401	
42	32	EA.	SCREW, MACHINE #1/4-20 X 3" PPH SC	1008622	
43	32	EA.	WASHER, FLAT #1/4" SC	1260769	
44	32	EA.	NUT, HEX NUT, LOCK #1/4-20 SC STD PATT	1009786	
45	0	FT.	HOSE, PVC CLEAR DRAIN 7/16"	1041490	
46	1	EA.	PORTLIGHT, 7"X 14" SLVR W/ TRIM RING	1758745	
47	4	FT	PORTLIGHT, GASKET 1/8" CLEAR ACRY TAPE	1837658	
48	10	EA.	SCREW, MACHINE #10-24 X 3/4" POH SC	1008440	
49	1	EA.	GROMMET, CABLE BOOT 4" BLK	1749738	
50	1	EA.	BOOT, CABLE 4" BLK	1749736	
51	1	EA.	BOOT, CABLE RING 4" BLK	1749737	
52	4	EA.	SCREW, TAPPING #10A X 1" PPH SC	1213131	
53	1	EA.	PANEL, BW285CQ-07 MAIN DC BRK W/BAT SW W/WDLS	1879100	
54	1	EA.	BOX, HDPE BW285CQ-06 UTIL DRWR	1814300	
55	1	EA.	FRAME, HDPE/PLEX BW285CQ-06 BATT PNL ENCL	1814162	
56	1	EA.	BOX, HDPE BW285CQ-06 TACKLE SEAFM	1814159	
57	1	EA.	HOLDER, HDPE BW285CQ-06 CUP/TOOL	1814160	
58	1	EA.	DRINKHOLDR, PLAS W/DRAIN DEEP XLG SZ BLK	1727419	
59	1	EA.	DRAIN ASSY, FLSH MNT 90DEG W/1" BARB CHR	0886200	
60	2	EA.	CLAMP, HOSE #16 3/4"-1.5" SS .505	0256685	
61	2	EA.	COVER, CLAMP END PROT 1/2"L X .045"X .465"RED	0830968	
62	-	FT	HOSE, GEN PURPOSE 1"	0196667	
63	1	EA.	ADHESIVE, WELD-ON SS 214 2PART 470ML	1558485	
64	1	EA.	LID, HDPE BW285CQ-06 PREP STATION	1814161	
65	1	EA.	BRACKET, LIFT CYL SS OFFSET W/STUD 2-HOLE	0995084	
66	1	EA.	BRACKET, SS LIFT CYL 90DEG 1"W/STUD	1688166	
67	1	EA.	PREP STATION SINK	22-K235-00	
68	1	EA.	FAUCET, SGL TAP W/FOLDING SPOUT	1626993	
69	1	EA.	CYLINDER, GAS SS 20PSI 10"EXT X 7"COMP	1384940	
70	6	EA.	SCREW, MACHINE #10-24 X 3/4" PPH SC	1781122	
71	1	EA.	ADAPTER, SEATECH 3/8"F-15MM BRASS	1755691	
72	1	EA.	DECK PLATE, GAS CHR W/VENT (SHIM ONLY)	1098615	
73	1	EA.	ACC PART, MERC JUNC BOX SPACER	1851824	
74	1	EA.	SCREW, TAPPING #10A X 2.5" PTH SC	1760271	
75	1	EA.	MODULE, NRTHSTR DUAL S/CRFT GATEWAY	1797212	
76	3	EA.	BOOT, ENG STARTER RED	140509	

MOLD NO.

BOAT MODEL
285CQ

SCALE: NONE

DATE: 09/27/05

DRAWN: M.ZAFFUTO
DWG. TITLE:
DECK OUTFIT, MIDSHIP

INTERPRET DIMENSIONS AND TOLERANCES PER ANSI Y 14.5 UNLESS OTHERWISE SPECIFIED DIMENSIONS ARE IN INCHES.
TOLERANCES: ANGLES = ± .5°
.X = ± .1
.XX = ± .03
XXX = ± .010
X/X = ± 1/16

INIT. REL. ECN NO:
050362

DWG. NO:
06202

SHT. NO.
9 OF 9



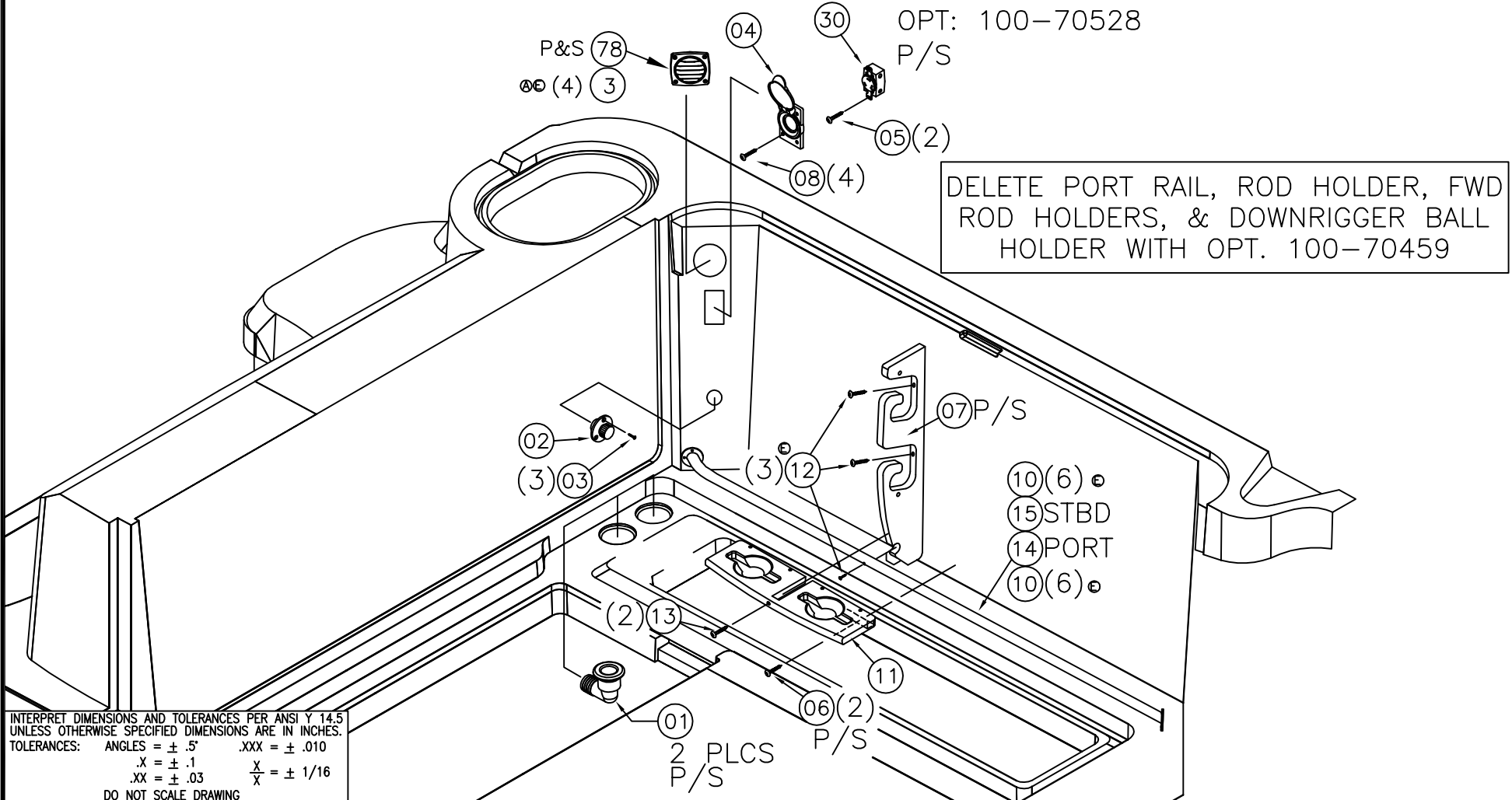
DO NOT SCALE DRAWING

THIS DOCUMENT IS THE PROPERTY OF BOSTON WHALER, INC. MFG. DEPT., EDGEWATER, FLORIDA. ALL RIGHTS ARE RESERVED. THIS DOCUMENT AND INFORMATION CONTAINED MUST NOT BE COPIED OR DISCLOSED TO OTHERS WITHOUT WRITTEN PERMISSION OF BOSTON WHALER, INC.

DWG. NO: 06203	REV. AG	CURRENT ECD 10077053
-------------------	------------	-------------------------

NOTES:
1. REF. DWG. 16601 FOR DECK CUTOUTS.

REVISIONS					
REV.	DESCR.	BY	DATE	APPVD.	ECN NO.
AC	MYE'10: ADDED ITEM #'S 84 & 85 TO SHEETS 2 & 7	SBL	10/08/09	HW	09056008
AD	MYE'10: ITEM #'S 84 & 85 P/N'S WERE 1041888 & 0196667	SBL	01/20/10	RA	09056008
AE	REPLACED 860320 WITH 2022732 SHT 7	SG	05/05/10	ST	10046795
AF	MYE'11: REMOVED "P&S" FROM ITEMS 39, 40 & 99, SHT 2. QTY #39 & 99 WERE 4, #40 WAS 2, SHT 7	SLJ	06/04/10		10066931
AG	MYE'11: ADDED ELCI/ #'S 104 & 105; #48 & 50 P/N'S WERE 0582445 & 0829416	SBL	07/28/10		10077053



INTERPRET DIMENSIONS AND TOLERANCES PER ANSI Y 14.5 UNLESS OTHERWISE SPECIFIED DIMENSIONS ARE IN INCHES.
 TOLERANCES: ANGLES = ± .5° .XXX = ± .010
 .X = ± .1 .XX = ± .03 X/X = ± 1/16
 DO NOT SCALE DRAWING



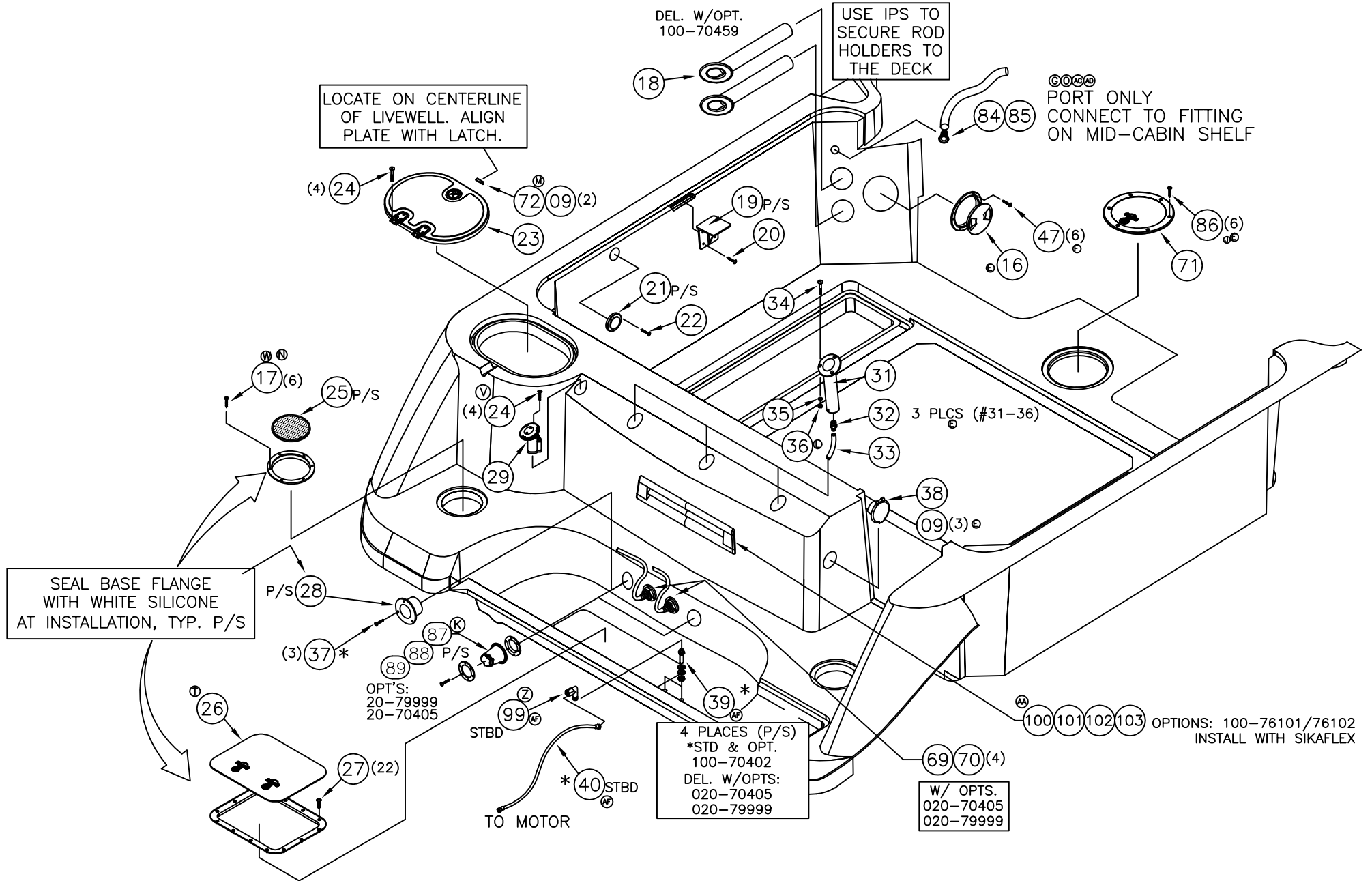
CHECKED: A. DALE	DATE: 10/06/05	DRAWN: M.ZAFFUTO	DATE: 08/03/05	SCALE: NONE	BOAT MODEL 285CQ	MOLD NO. 22K22700
APPD: RA	DATE: 10/06/05	DWG. TITLE: DECK OUTFIT, STERN			INIT. REL. ECN NO: 050362	DWG. NO: 06203
DESIGN: VPK	DATE: 10/06/05					SHT. NO. 1 of 7
INT. ENG: MG	DATE: 10/06/05					

THIS DOCUMENT IS THE PROPERTY OF BOSTON WHALER, INC. MFG. DEPT., EDGEWATER, FLORIDA. ALL RIGHTS ARE RESERVED. THIS DOCUMENT AND INFORMATION CONTAINED MUST NOT BE COPIED OR DISCLOSED TO OTHERS WITHOUT WRITTEN PERMISSION OF BOSTON WHALER, INC.

DWG. NO:
06203

REV.
AG

CURRENT ECD
10077053



INTERPRET DIMENSIONS AND TOLERANCES PER ANSI Y 14.5 UNLESS OTHERWISE SPECIFIED DIMENSIONS ARE IN INCHES.
TOLERANCES: ANGLES = ± .5° .XXX = ± .010
.X = ± .1 X = ± 1/16
.XX = ± .03
DO NOT SCALE DRAWING

DRAWN: M.ZAFFUTO

DATE: 08/03/05

SCALE: NONE

BOAT MODEL

MOLD NO.

285CQ

22K22700

DWG. TITLE:

DECK OUTFIT, STERN

INIT. REL. ECN NO:

DWG. NO:

SHT. NO.

050362

06203

2 OF 7

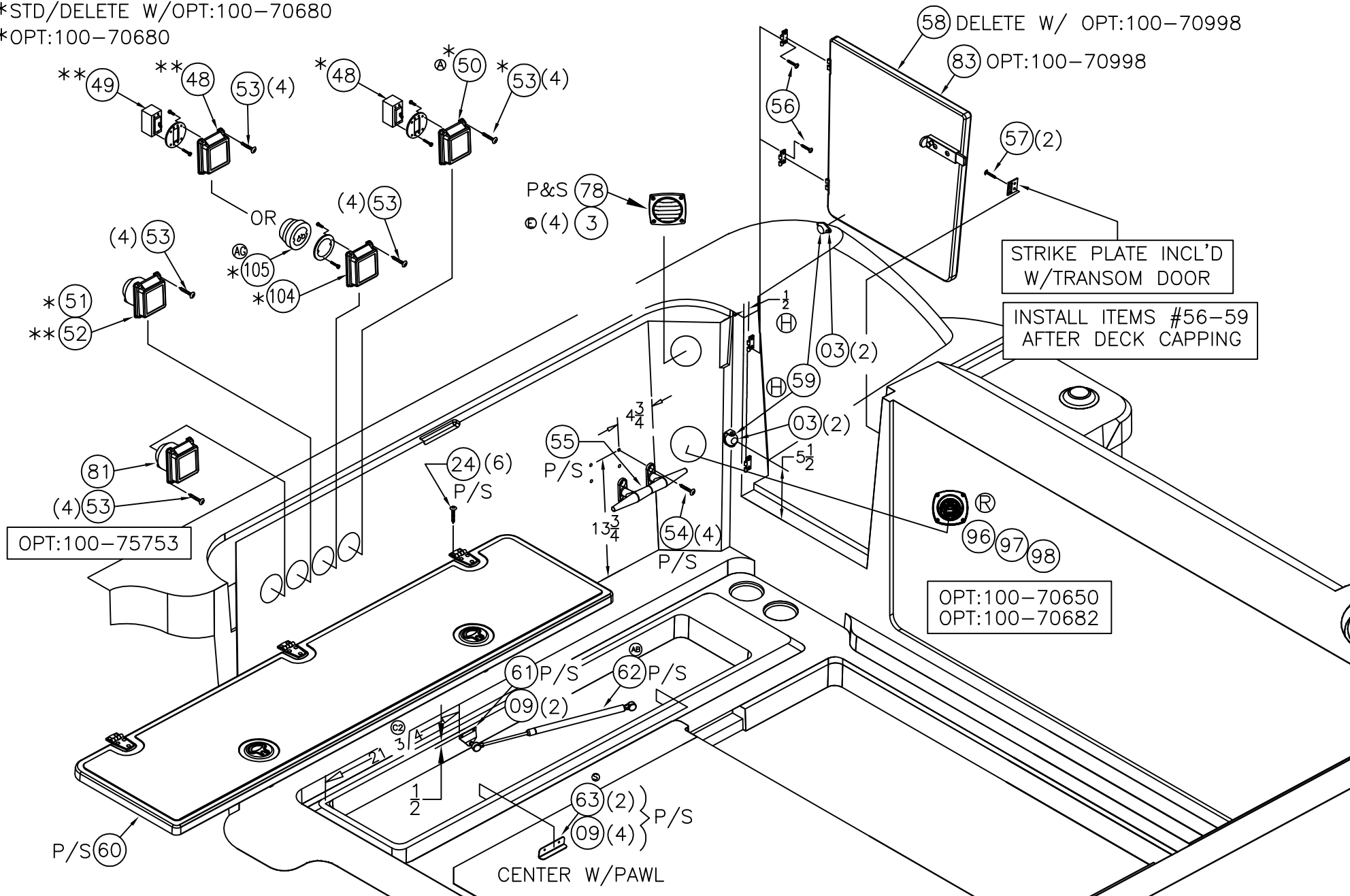
THIS DOCUMENT IS THE PROPERTY OF BOSTON WHALER, INC. MFG. DEPT., EDGEWATER, FLORIDA. ALL RIGHTS ARE RESERVED. THIS DOCUMENT AND INFORMATION CONTAINED MUST NOT BE COPIED OR DISCLOSED TO OTHERS WITHOUT WRITTEN PERMISSION OF BOSTON WHALER, INC.

DWG. NO:
06203

REV.
AG

CURRENT ECD
10077053

*STD/DELETE W/OPT:100-70680
**OPT:100-70680



STRIKE PLATE INCL'D
W/TRANSOM DOOR

INSTALL ITEMS #56-59
AFTER DECK CAPPING

OPT:100-75753

OPT:100-70650
OPT:100-70682

CENTER W/PAWL



INTERPRET DIMENSIONS AND TOLERANCES PER ANSI Y 14.5 UNLESS OTHERWISE SPECIFIED DIMENSIONS ARE IN INCHES.
TOLERANCES: ANGLES = ± .5° .XXX = ± .010
.X = ± .1 X = ± 1/16
.XX = ± .03
DO NOT SCALE DRAWING

DRAWN: M.ZAFFUTO DATE: 08/03/05 SCALE: NONE
DWG. TITLE: DECK OUTFIT, STERN

BOAT MODEL 285CQ	MOLD NO. 22K22700
INIT. REL. ECN NO: 050362	DWG. NO: 06203
SHT. NO. 3 of 7	

THIS DOCUMENT IS THE PROPERTY OF BOSTON WHALER, INC. MFG. DEPT., EDGEWATER, FLORIDA. ALL RIGHTS ARE RESERVED. THIS DOCUMENT AND INFORMATION CONTAINED MUST NOT BE COPIED OR DISCLOSED TO OTHERS WITHOUT WRITTEN PERMISSION OF BOSTON WHALER, INC.

DWG. NO:
06203

REV.
AG

CURRENT ECD
10077053

VIEW LOOKING THROUGH SEAT PAN CUTOUT

INSTALL GUNNEL BOARDS W/ IPS. WEIGHTS & CLAMPS ARE TO BE USED WHEN REQ'D FOR PROPER ALIGNMENT DURING SETUP. TOP & INBOARD SURFACES SHALL BE KEPT FLUSH W/DECK. ADD TWO SCREWS, ONE ON EACH SIDE (P & S) TO HELP SECURE SIDES OF GUNNEL BOARDS

APPLY NEOPRENE TO UNUSED STUD

PLYWOOD PRE-FAB

SUPPLIED W/ITEM #92

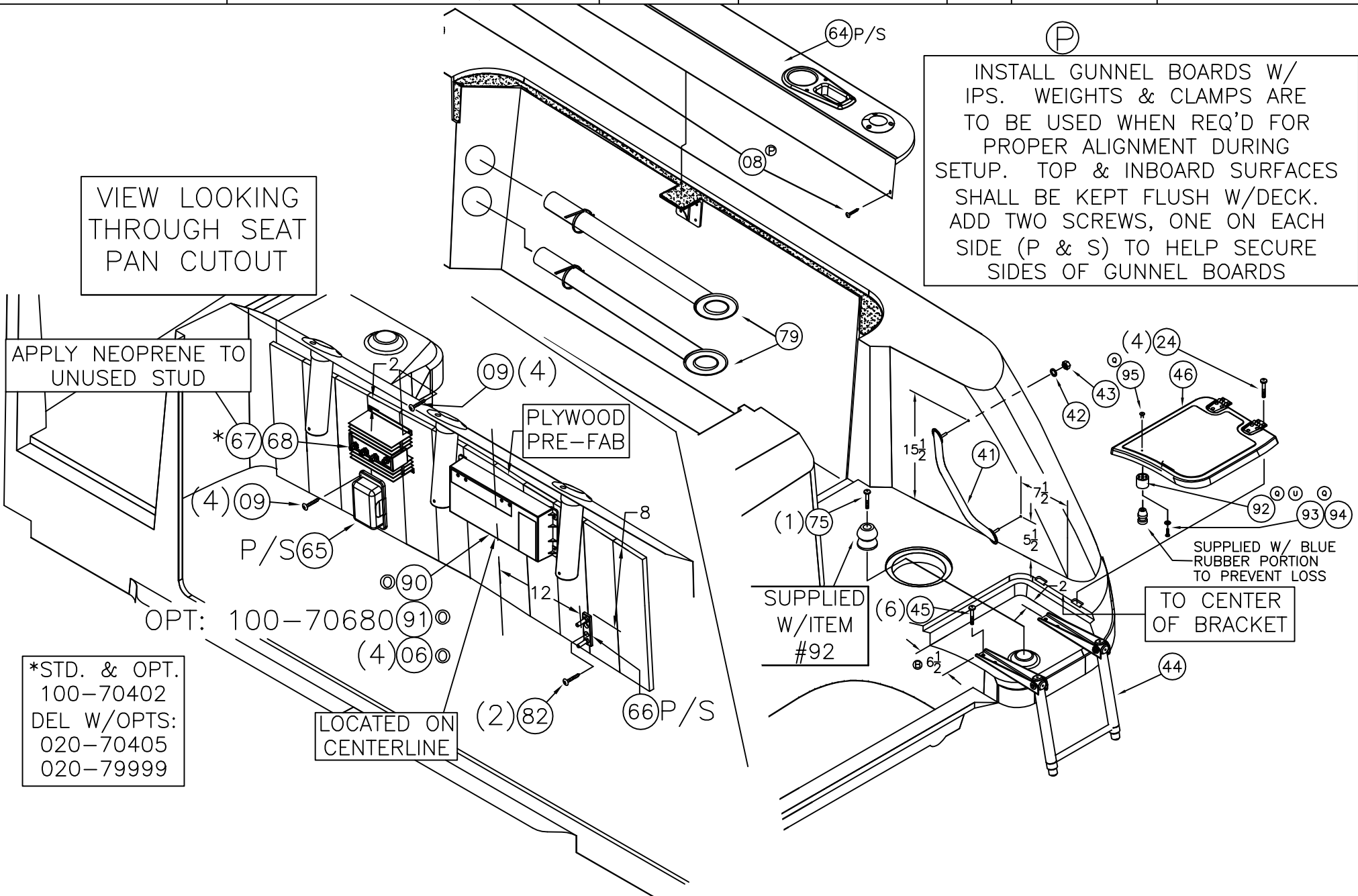
SUPPLIED W/ BLUE RUBBER PORTION TO PREVENT LOSS

TO CENTER OF BRACKET

LOCATED ON CENTERLINE

*STD. & OPT.
100-70402
DEL W/OPTS:
020-70405
020-79999

OPT: 100-70680



INTERPRET DIMENSIONS AND TOLERANCES PER ANSI Y 14.5 UNLESS OTHERWISE SPECIFIED DIMENSIONS ARE IN INCHES.
TOLERANCES: ANGLES = ± .5° .XXX = ± .010
.X = ± .1 X = ± 1/16
.XX = ± .03
DO NOT SCALE DRAWING

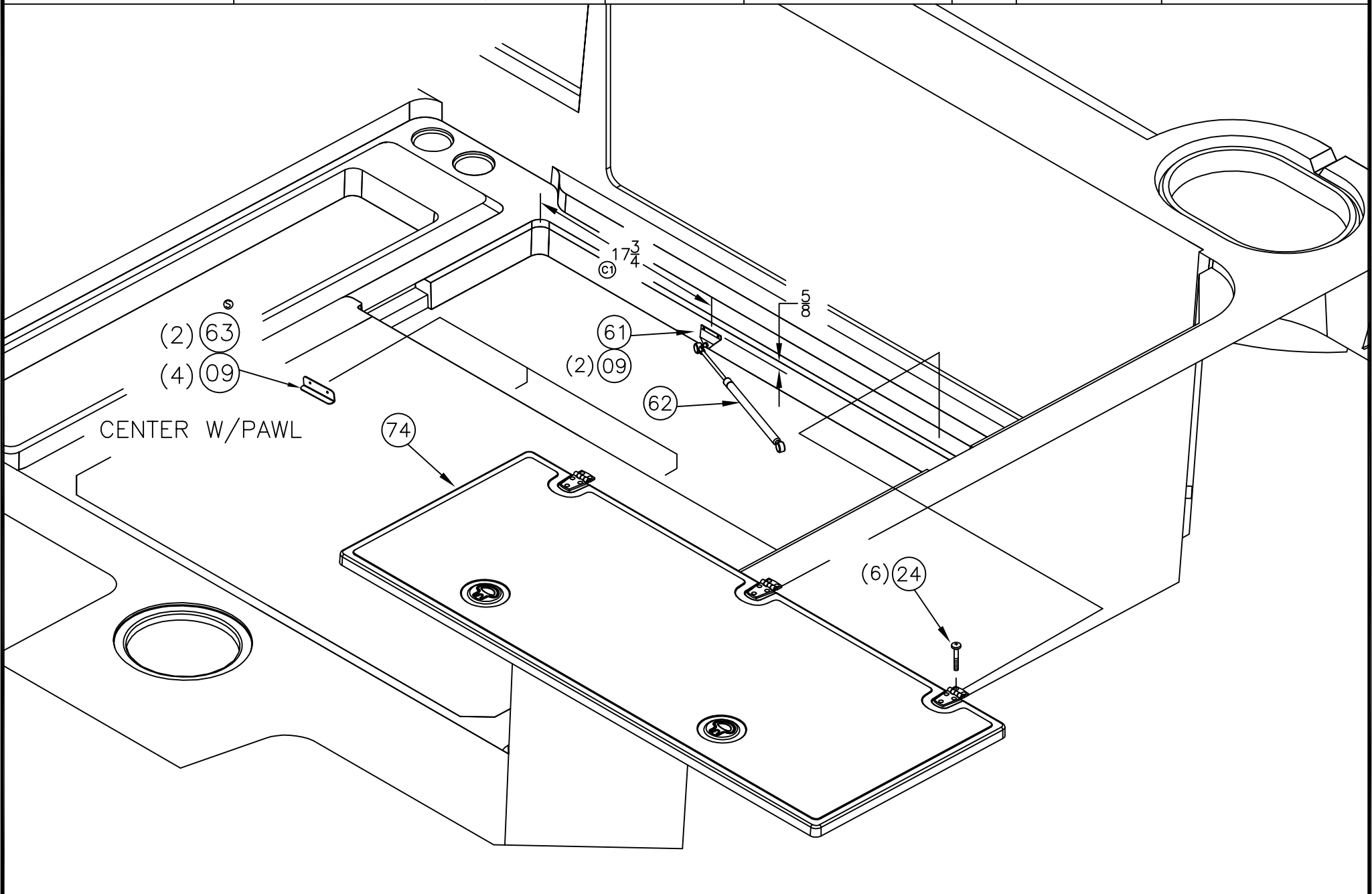
DRAWN: M.ZAFFUTO	DATE: 08/03/05	SCALE: NONE	BOAT MODEL 285CQ	MOLD NO. 22K22700
DWG. TITLE: DECK OUTFIT, STERN			INIT. REL. ECN NO: 050362	DWG. NO: 06203
				SHT. NO. 4 of 7

THIS DOCUMENT IS THE PROPERTY OF BOSTON WHALER, INC. MFG. DEPT., EDGEWATER, FLORIDA. ALL RIGHTS ARE RESERVED. THIS DOCUMENT AND INFORMATION CONTAINED MUST NOT BE COPIED OR DISCLOSED TO OTHERS WITHOUT WRITTEN PERMISSION OF BOSTON WHALER, INC.

DWG. NO:
06203

REV.
AG

CURRENT ECD
10077053



CENTER W/PAWL



INTERPRET DIMENSIONS AND TOLERANCES PER ANSI Y 14.5 UNLESS OTHERWISE SPECIFIED DIMENSIONS ARE IN INCHES.
 TOLERANCES: ANGLES = ± .5° .XXX = ± .010
 .X = ± .1 X = ± 1/16
 .XX = ± .03
 DO NOT SCALE DRAWING

DRAWN: M.ZAFFUTO DATE: 08/03/05 SCALE: NONE
 DWG. TITLE: DECK OUTFIT, STERN

BOAT MODEL
285CQ
 INIT. REL. ECN NO:
050362

MOLD NO.
22K22700
 DWG. NO:
06203

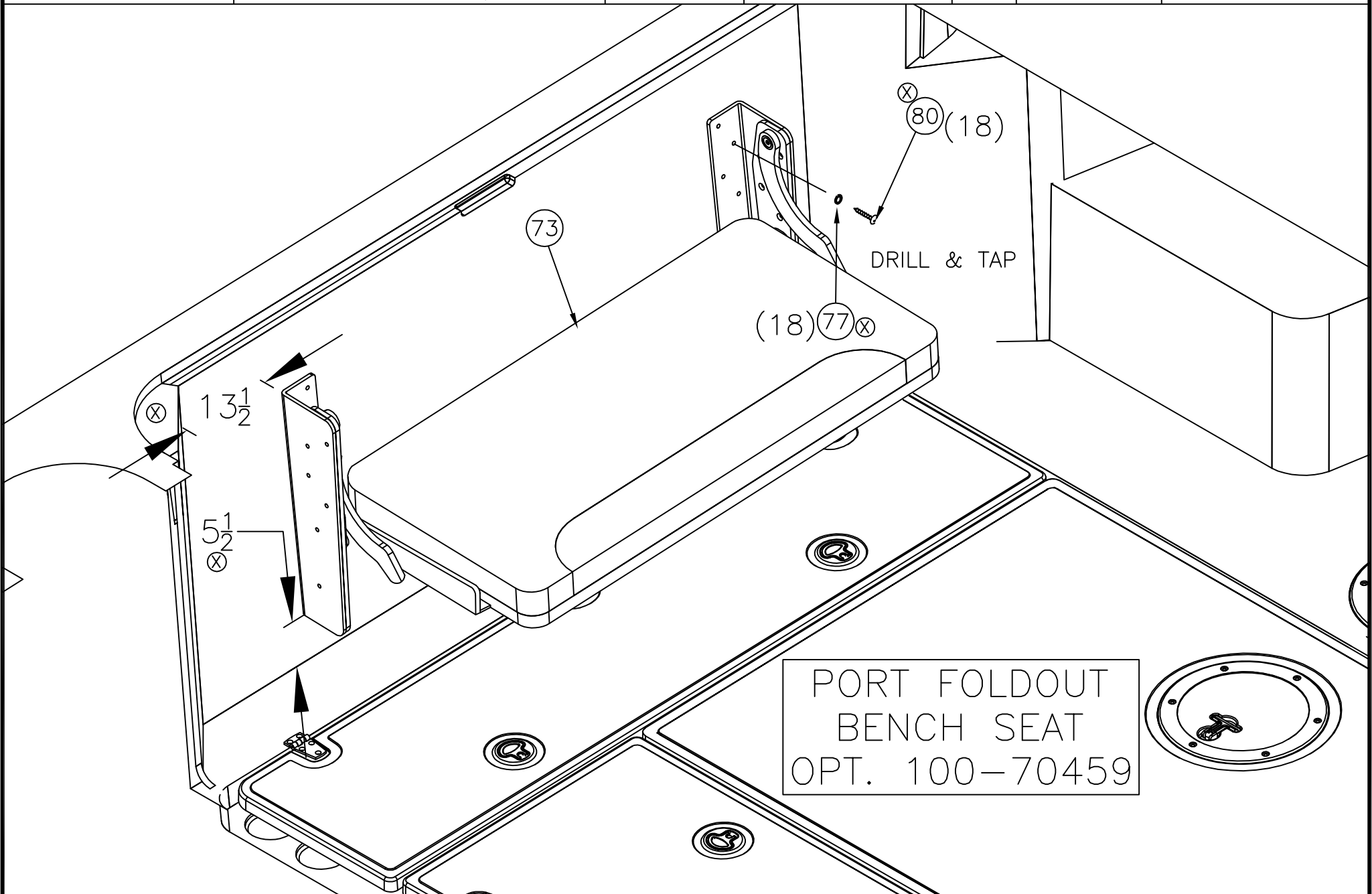
SHT. NO.
5 of 7

THIS DOCUMENT IS THE PROPERTY OF BOSTON WHALER, INC. MFG. DEPT., EDGEWATER, FLORIDA. ALL RIGHTS ARE RESERVED. THIS DOCUMENT AND INFORMATION CONTAINED MUST NOT BE COPIED OR DISCLOSED TO OTHERS WITHOUT WRITTEN PERMISSION OF BOSTON WHALER, INC.

DWG. NO:
06203

REV.
AG

CURRENT ECD
10077053



PORT FOLDOUT
BENCH SEAT
OPT. 100-70459



INTERPRET DIMENSIONS AND TOLERANCES PER ANSI Y 14.5 UNLESS OTHERWISE SPECIFIED DIMENSIONS ARE IN INCHES.
TOLERANCES: ANGLES = ± .5° .XXX = ± .010
.X = ± .1 .X = ± 1/16
.XX = ± .03
DO NOT SCALE DRAWING

DRAWN: M.ZAFFUTO

DATE: 08/03/05

SCALE: NONE

BOAT MODEL

MOLD NO.

285CQ

22K22700

DWG. TITLE:

DECK OUTFIT, STERN

INIT. REL. ECN NO:

DWG. NO:

SHT. NO.

050362

06203

6 of 7

THIS DOCUMENT IS THE PROPERTY OF BOSTON WHALER, INC. MFG. DEPT.,
EDGEWATER, FLORIDA. ALL RIGHTS ARE RESERVED. THIS DOCUMENT AND
INFORMATION CONTAINED MUST NOT BE COPIED OR DISCLOSED TO OTHERS
WITHOUT WRITTEN PERMISSION OF BOSTON WHALER, INC.

DWG. NO:

06203

REV.

AG

CURRENT ECD

10077053

Parts List				
ITEM	QTY	U/M	DESCRIPTION	B.W.I. NO.
01	4	EA.	DRAIN, 1.5" 90DEG BARB W/ADAPTER/NUT	1811879
02	1	EA.	FITTING, RAW WTR OUTLET SS	1718983
(C) 03	15	EA.	SCREW, TAPPING #8A X 5/8" POH SC	1213354
04	2	EA.	COVER PLATE, WATERPROOF RECEIPT 12V	1748027
05	4	EA.	SCREW, TAPPING #6A X 5/8" PFH SC	1010396
(C) 06	8	EA.	SCREW, TAPPING #10A X 1" PTH SC	1008739
07	2	EA.	ROD HOLDER, HDPE BW285CQ-06 UNDER GUN'L	1811361
08	12	EA.	SCREW, TAPPING #8A X 1" PTH SC	1008804
(C) 09	35	EA.	SCREW, TAPPING #8A X 5/8" PTH SC	1010925
(C) 10	12	EA.	SCREW, MACHINE #10-24 X 1" PPH SC	1213222
11	2	EA.	HOLDER, HDPE DOWNRIGGER BALL	1757720
12	6	EA.	SCREW, TAPPING #10A X 2" POH SC	1261163
(C) 13	2	EA.	SCREW, TAPPING #10A X 1.5" POH SC	1008515
14	1	EA.	RAIL, GRAB BW285CQ-06 TOE PRT SS	1808866
15	1	EA.	RAIL, GRAB BW285CQ-06 TOE STB SS	1808867
(C) 16	1	EA.	ACCESS PLATE, POLYPROP TWIST-OUT 5" WHT BWI	1016153
(C) 17	12	EA.	SCREW, TAPPING #10-24 X 1/2" PPH SC SELF TAP	1781122
18	2	EA.	HOLDER, ABS BW285CQ-06 FISHING ROD PRT WHT	1815058
19	2	EA.	BRACKET, ALUM BW-03 UNDER GUNNEL	1752662
(C) 20	8	EA.	SCREW, TAPPING #14A X 1" PPH SC	1008689
(C) 21	2	EA.	LIGHT, OVERHEAD FLUSH MNT WATERTIGHT RND WHT	2022732
22	4	EA.	SCREW, TAPPING #6A X 1/2" PFH SC	1010362
23	1	EA.	LIVEWELL LID SUB-ASSY	09416
(C) 24	31	EA.	SCREW, TAPPING #10A X 1" POH SC	1008507
25	2	EA.	PLATE, DECK ACCESS 6" PRY-OUT SAND	1447432
(C) 26	1	EA.	HATCH, UTILITY 12"X 26" WHT	1893923
(C) 27	25	EA.	SCREW, TAPPING #8A X 5/8" PPH SC	1971020
(C) 28	2	EA.	FLANGE, RIGGING BOOT 2" BLK	1818344
(C) 29	1	EA.	DECK PLATE, WATER CHR W/VENT 45DEG NECK	1072024
30	2	EA.	RECEPTACLE, TROLLING MOTOR CONNECTION	1695360
31	3	EA.	ROD HOLDER, FLUSH MNT SS W/BW-05 LOGO	1799571
(C) 32	3	EA.	ADAPTER, PLAS 1/4" MPT X 5/16" BARB BLK	1815708
33	0	FT.	HOSE, PVC CLEAR DRAIN 7/16"	1041490
34	9	EA.	SCREW, MACHINE #1/4-20 X 1.5" POH SC	1010438
35	9	EA.	WASHER, FLAT #1/4" SC	1260769
(C) 36	9	EA.	NUT, LOCK #1/4-20 SC STD PATT	1009786
37	6	EA.	SCREW, TAPPING #10A X 3/4" PTH SC	1008762
38	1	EA.	WASHDOWN/SPRAYER, VERT MNT WHT W/BW LOGO	1612928
(C) 39	2	EA.	STEERING, BLKHD 3/4" FITTING MALE TO MALE	1773917
(C) 40	1	EA.	STEERING, O/B HOSE KIT CYL/HELM 2' W/2 HOSES	1775376
41	1	EA.	RAIL, GRAB 7/8" X 14.5" SS W/5/16" STUD	1617315
42	2	EA.	WASHER, FENDER 5/16" X 1.5" SC	1326180
43	2	EA.	NUT, HEX NYLON LOCK #5/16-18 SC	1007814
44	1	EA.	LADDER, SWIM 3-STEP TELESCOP W/10" BRACKET	1589696
45	6	EA.	SCREW, MACHINE #1/4-20 X 1" PFH SC	1009950
46	1	EA.	SWIM LADDER COVER SUB-ASSY	09422
(C) 47	6	EA.	SCREW, MACHINE #10-24 X 3/4" PPH SC	1781122
(C) 48	2	EA.	INLET, MAIN BRKR SGL TOGGLE HOUSING WHT	2018357
(C) 49	1	EA.	BRKR/TOGGLE, 2-POLE AC MED DELAY 20A (10-32)	0851295
(C) 50	1	EA.	BREAKER, LEL SERIES IP 35 AMP 120V TOGGLE	2018363
51	1	EA.	INLET, SHORE POWER 125V/30A	1039213

Parts List				
ITEM	QTY	U/M	DESCRIPTION	B.W.I. NO.
52	1	EA.	INLET, SHORE POWER WHT 220V/50H 16A	0206276
(C) 53	16	EA.	SCREW, TAPPING #8A X 1" PPH SC	1213115
(C) 54	8	EA.	SCREW, MACHINE #1/4-20 X 1.25" PFH SC	1213289
55	2	EA.	CLEAT, 8" SS HVY DUTY HOLLOW BASE	1027010
56	4	EA.	SCREW, TAPPING #8A X 1.75" PFH SC	1334895
57	2	EA.	SCREW, TAPPING #8A X 3/4" PFH SC	1008408
58	1	EA.	DOOR, ACRY BW285CQ-06 TRNSM	1809847
59	1	EA.	HOLDER, MAGNETIC SHORT	1746047
60	1	EA.	FISHWELL COVER SUB-ASSY., PORT & STBD	09401
61	3	EA.	BRACKET, LIFT CYL SS OFFSET W/STUD	0995084
(C) 62	3	EA.	CYLINDER, GAS SS 80PSI 20"-12" ATTWOOD	1950128
(C) 63	6	EA.	FRAME, BW-08 EDGE GUARD SS	1887724
64	1	EA.	PORT & STBD GUNWALE BOARD SUB-ASSY'S	09226
65	2	EA.	COVER, BW 05 TERM POST 5/16 STUDS	1794323
66	2	EA.	BUSS BAR, TERM POST 2 5/16 STUDS (ANL FUSE)	1717497
67	1	EA.	ACC PART, MERC AUTO PWR SW	1777516
68	3	EA.	BOOT, PVC TERM INSUL CAP RED	1689904
69	2	EA.	STEERING, O/B HOSE KIT 26" W/BHD FTG 1 HOSE	1275700
(C) 70	8	EA.	SCREW, TAPPING #8A X 3/4" POH SC	1213057
71	1	EA.	ACCESS PLATE, POLYPROP TWIST-OUT 8" WHT	1068659
(C) 72	1	EA.	BRACKET, BW-07 LATCH STRIKE FLAT SS	1873366
73	1	EA.	FOLDING SEAT SUB-ASSY.	09413
74	1	EA.	MECHANICAL ACCESS HATCH	22K25100
75	1	EA.	SCREW, TAPPING #10A X 1.5" PPH SC	1010610
(C) 76	8	EA.	SCREW, TAPPING #14A X 1" PPH SC	1008689
(C) 77	18	EA.	WASHER, LOCK/SPLIT 1/4" SC	1260595
(C) 78	2	EA.	VENT, LOUVERED 3 5/8" X 3 5/8" WHT	0819243
79	2	EA.	HOLDER, ABS BW205EP-05 FISH ROD W/TUBE 45DEG	1771114
(C) 80	18	EA.	SCREW, MACHINE #1/4-20 X 1.25" PPH	1260975
81	1	EA.	INLET, PHONE/TV CABLE COMBO WHT	0133694
(C) 82	4	EA.	SCREW, TAPPING #14A X 3/4" POH SC	1213156
83	3	EA.	DOOR, ACRY BW285CQ-06 TRNSM EURO	1816520
(C) 84	1	EA.	THRU-HULL, SS 1 1/8" X 3/4" BARB (ATTWOOD)	1907838
(C) 85	0	FT.	HOSE, WATER 3/4" BLK REINF PVC	1042100
(C) 86	6	EA.	SCREW, TAPPING #10A X 3/4" PTH SC	1008762
(C) 87	2	EA.	BOOT, CABLE 3" BLK	1043223
(C) 88	2	EA.	BOOT, CABLE RING 3" BLK	1043330
(C) 89	2	EA.	GROMMET, CABLE BOOT 3" BLK	1574839
(C) 90	1	EA.	CONVERTER, 10/20AMP 120VAC W/PACKARD FUSES	1747374
(C) 91	1	EA.	CONVERTER, 10/20AMP 220V/50HZ W/PACKARD FUSE	1747375
(C) 92	1	EA.	STOP, MINI DOOR HOLDER RBR BLUE	1690487
(C) 93	1	EA.	SCREW, MACHINE #10-24 X 3/4" POH SC	1008440
(C) 94	1	EA.	WASHER, FLAT #10 SC	1260751
(C) 95	1	EA.	NUT, BBL #10-24 X 3/8" TH CHR/BR	1040211
(C) 96	1	EA.	INLET, WATER W/PRESS REGULATOR WHT	1888069
(C) 97	1	EA.	FITTING, NEPT 1/2" FEM X 15MM ELB SWVL 90DEG	1453935
(C) 98	1	EA.	SCREW, TAPPING #10A X 3/4" PPH SC	1172030
(C) 99	2	EA.	ELBOW BR 3/6" ORFS FEMALE X MALE	1790999
(C) 100	2	EA.	WASHER, FENDER #10 X 1" SC	1260454
(C) 101	2	EA.	WASHER, STAR #10 SS	0768465
(C) 102	2	EA.	NUT, HEX #10-24 SC	1259506
(C) 103	1	EA.	VENT, LOUVERED ABS BW345CQ-08	1885019
(C) 104	1	EA.	INLET, ELCI HOUSING WHT	2018358
(C) 105	1	EA.	MODULE, ELCI RND 2 POLE 120V	1970571



INTERPRET DIMENSIONS AND TOLERANCES PER ANSI Y 14.5
UNLESS OTHERWISE SPECIFIED DIMENSIONS ARE IN INCHES.
TOLERANCES: ANGLES = ± .5° .XXX = ± .010
.X = ± .1 .X = ± 1/16
.XX = ± .03 .X = ± 1/16
DO NOT SCALE DRAWING

DRAWN: M.ZAFFUTO

DATE: 08/03/05

SCALE: NONE

BOAT MODEL

MOLD NO.

285CQ

22K22700

DWG. TITLE:

DECK OUTFIT, STERN

INIT. REL. ECN NO:

DWG. NO:

050362

06203

SHT. NO.

7 of 7

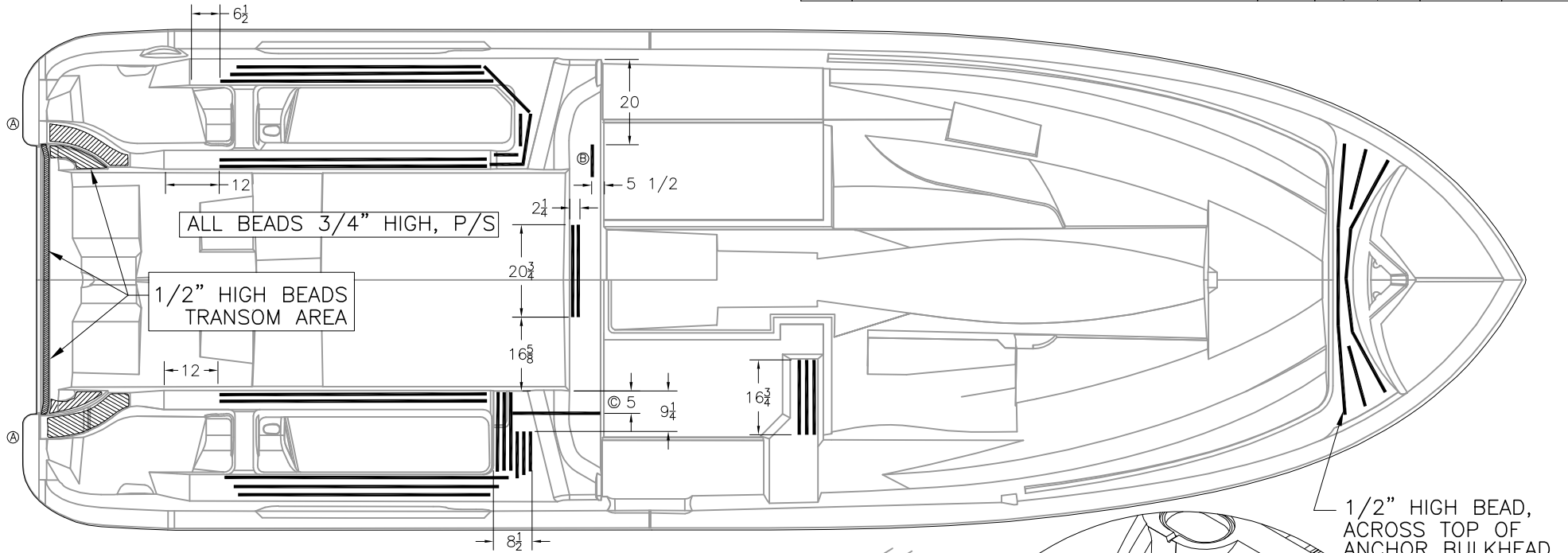
THIS DOCUMENT IS THE PROPERTY OF BOSTON WHALER, INC. MFG. DEPT., EDGEWATER, FLORIDA. ALL RIGHTS ARE RESERVED. THIS DOCUMENT AND INFORMATION CONTAINED MUST NOT BE COPIED OR DISCLOSED TO OTHERS WITHOUT WRITTEN PERMISSION OF BOSTON WHALER, INC.

DWG. NO:
06401

REV.
C

CURRENT ECD
09056008

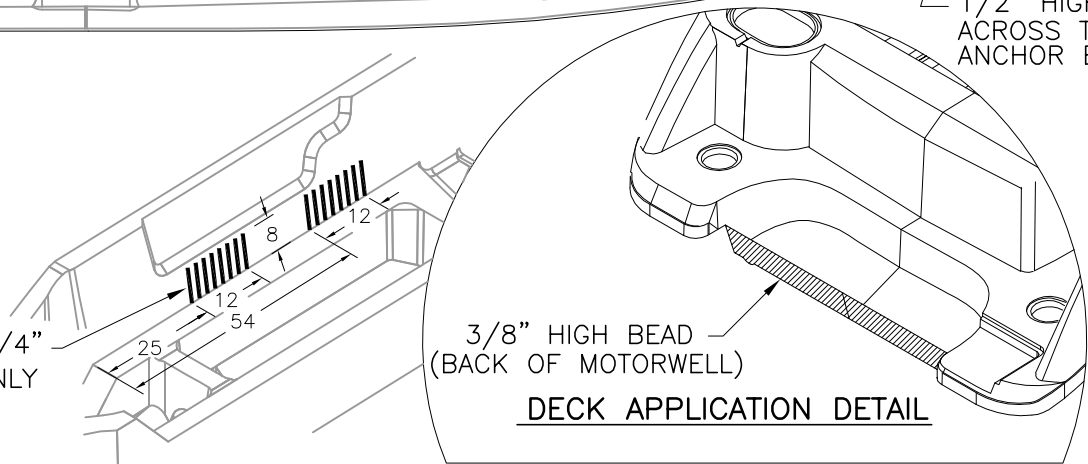
REVISIONS					
REV.	DESCR.	BY	DATE	APPVD.	ECN NO.
A	REMOVE ADHESIVE FROM TRANSOM.	HJR	12/09/05	VPK	050362
B	ADD ADHESIVE FOR BULKHEAD	SWH	01-19-06	VPK	050362
C	ADDED ADHESIVE FOR VAPOR BARRIER.	SBL	11/12/09	HW	09056008



DECK ADHESIVE LOCATIONS

APPLY ADHESIVE TO DARK AREAS
3/4" SPACE IN BETWEEN BEADS OF ADHESIVE

STAND 3/4" BEADS 3/4" APART PORT SIDE ONLY



INTERPRET DIMENSIONS AND TOLERANCES PER ANSI Y 14.5 UNLESS OTHERWISE SPECIFIED DIMENSIONS ARE IN INCHES.
TOLERANCES: ANGLES = ± .5° .XXX = ± .010
.X = ± .1 .XX = ± .03 X = ± 1/16
DO NOT SCALE DRAWING



CHECKED: H. WOOD	DATE: 8/10/05	DRAWN: HAL READ	DATE: 07/02/05	SCALE: none	BOAT MODEL 285CQ	MOLD NO.
APPD: KR	DATE: 8/10/05	DWG. TITLE: DECK TO HULL ADHESIVE LOCATIONS			INIT. REL. ECN NO: 050362	DWG. NO: 06401
DESIGN: VPK	DATE: 8/10/05					SHT. NO. 1 of 1
INT. ENG: MG	DATE: 8/11/05					

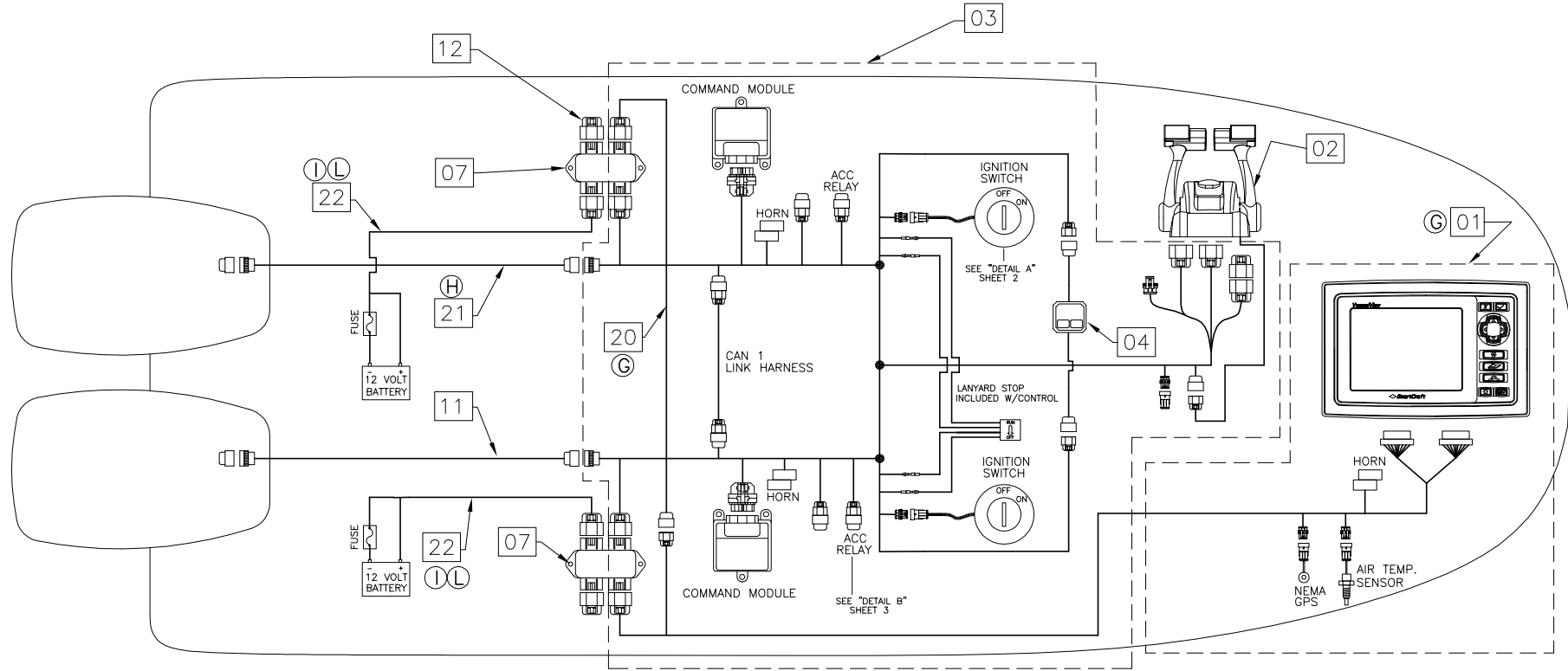
THIS DOCUMENT IS THE PROPERTY OF BOSTON WHALER, INC. MFG. DEPT., EDGEWATER, FLORIDA. ALL RIGHTS ARE RESERVED. THIS DOCUMENT AND INFORMATION CONTAINED MUST NOT BE COPIED OR DISCLOSED TO OTHERS WITHOUT WRITTEN PERMISSION OF BOSTON WHALER, INC.

DWG. NO: 07214	REV. L	CURRENT ECD 09056007
-------------------	-----------	-------------------------

NOTES:

- REFER TO SHEET 2 FOR PADDLE WHEEL, WATER TANK, AND FUEL TANK WIRING DETAIL.
- ALL PARTS STD & DELETE W/ OPT. 020-79999 & 020-70405 EXCEPT ITEM 18.

REVISIONS					
REV.	DESCR.	BY	DATE	APPVD.	ECN NO.
L	MYE-"10":CHANGED #22 TO HELM POWER, PN# WAS 1904056 #18 WAS OPT QTY 1, #22 WAS OPT QTY 0. #21 WAS 1802107	SLJ	06/22/09	HW	09056007



INTERPRET DIMENSIONS AND TOLERANCES PER ANSI Y 14.5 UNLESS OTHERWISE SPECIFIED DIMENSIONS ARE IN INCHES.
 TOLERANCES: ANGLES = ± .5° .XXX = ± .010
 .X = ± .1 X = ± 1/16
 .XX = ± .03 X

WARNING!

ALL UNUSED JUNCTION BOX PORTS MUST BE CAPPED (SEALED) USING WEATHER CAPS. FAILURE TO CAP UNUSED PORTS MAY RESULT IN CORROSION LEADING TO IMPROPER FUNCTION.



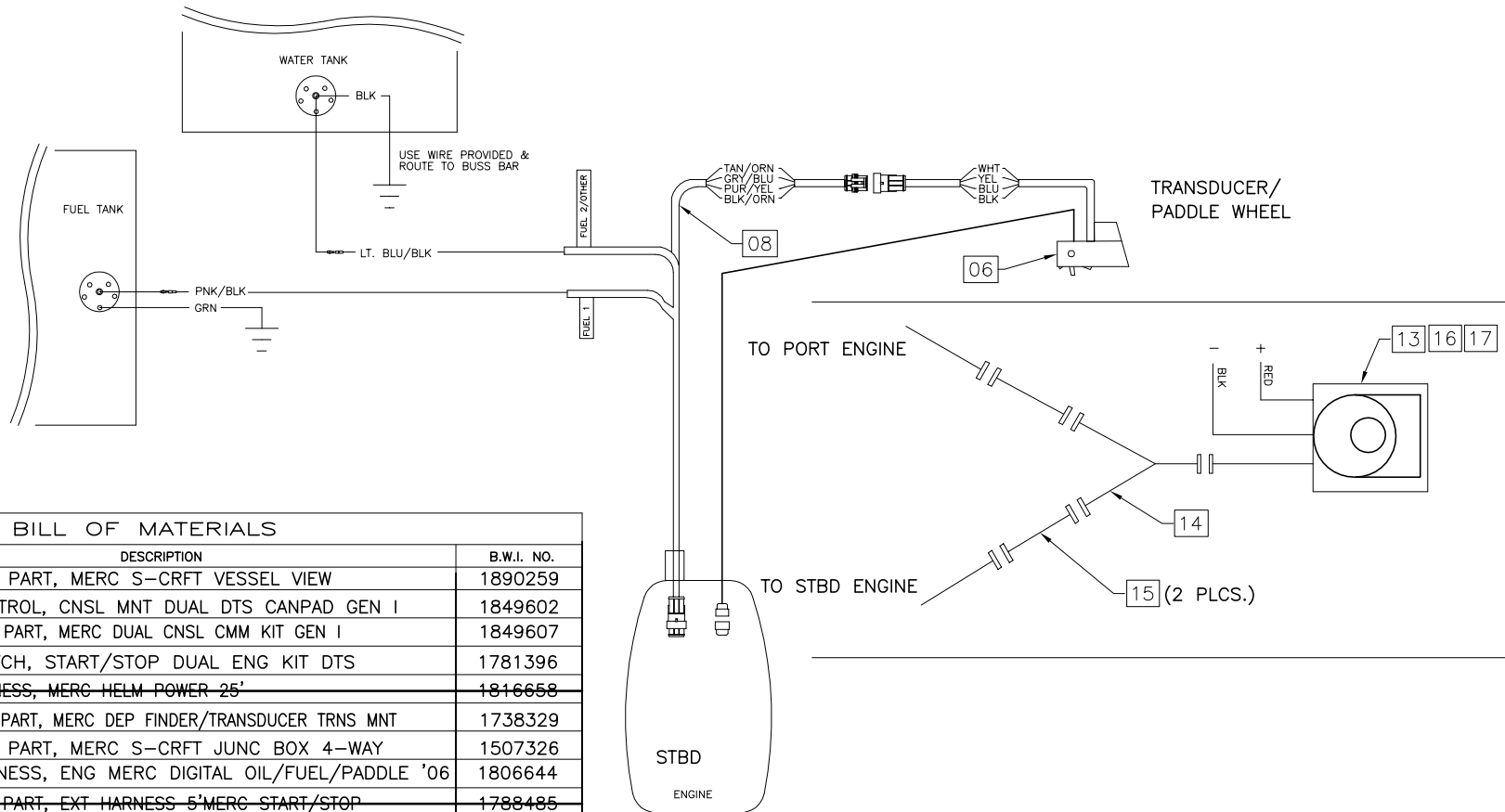
CHECKED: H. WOOD	DATE: 8/12/05	DRAWN: R. AVILA	DATE: 08/11/05	SCALE: NONE	BOAT MODEL 285CQ	MOLD NO.
APPD: K. RANIERI	DATE: 8/12/05	DWG. TITLE: DIAGRAM, SMARTCRAFT DUAL SYSTEM VIEW W/DTS			INIT. REL. ECN NO: 050362	DWG. NO: 07214
DESIGN: V. KNIGHT	DATE: 8/12/05					SHT. NO. 1 of 3
INT. ENG: M. GATICA	DATE: 8/12/05					

THIS DOCUMENT IS THE PROPERTY OF BOSTON WHALER, INC. MFG. DEPT., EDGEWATER, FLORIDA. ALL RIGHTS ARE RESERVED. THIS DOCUMENT AND INFORMATION CONTAINED MUST NOT BE COPIED OR DISCLOSED TO OTHERS WITHOUT WRITTEN PERMISSION OF BOSTON WHALER, INC.

DWG. NO:
07214

REV.
L

CURRENT ECD
09056007



BILL OF MATERIALS

ITEM	STD	OPT	U/M	DESCRIPTION	B.W.I. NO.
ⓐ 01	1	-1	EA	ACC PART, MERC S-CRFT VESSEL VIEW	1890259
ⓐ 02	1	-1	EA	CONTROL, CNSL MNT DUAL DTS CANPAD GEN I	1849602
ⓑ 03	1	-1	EA	ACC PART, MERC DUAL CNSL CMM KIT GEN I	1849607
04	1	-1	EA	SWITCH, START/STOP DUAL ENG KIT DTS	1781396
ⓓⓐ 05	2	-2	EA	HARNES, MERC HELM POWER 25'	1816658
06	1	-1	EA	ACC PART, MERC DEP FINDER/TRANSDUCER TRNS MNT	1738329
ⓐ 07	2	-2	EA	ACC PART, MERC S-CRFT JUNC BOX 4-WAY	1507326
08	1	-1	EA	HARNES, ENG MERC DIGITAL OIL/FUEL/PADDLE '06	1806644
ⓔ 09	2	-2	EA	ACC PART, EXT HARNES 5' MERC START/STOP	1788485
Ⓚ 10	1	-1	EA	ACC PART, MERC SPEEDOMETER/TEMP DIG	1477942
ⓗ 11	1	-1	EA	HARNES, ENG MERC DATA 14-PIN 25'	1781337
ⓐⓐ 12	4	-4	EA	ACC PART, MERC S-CRFT WTHR CAP 10POS CAP	1507342
13	1	-1	EA	STEERING, POWER PACK MERC W/12' LEAD	1772668
14	1	-1	EA	HARNES, ENG MERC DUAL ADAPTER SIGNAL	1772673
15	2	-2	EA	HARNES, MERC SIGNAL POWER PACK ENG 10'	1772669
ⓐ 16	2	-2	EA	ACC PART, MERC 90A FUSE ASSY	1784445
ⓐ 17	2	-2	EA	ACC PART, MERC NUT NYL LOCK #1/4-28 CAD PLT	1785549
Ⓛ 18	1		EA	ACC PART, MERC ACC HARNES RELAY AUX POWER	1781346
ⓐ 19	1		EA	HARNES, MERC 10 PIN FEMALE TO FEMALE ADP	1849960
ⓐ 20	1	-1	EA	HARNES, MERC DUAL V V IGN POWER	1891375
Ⓛⓗ 21	1	-1	EA	HARNES, ENG MERC DATA 14-PIN DTS 30'	1772366
ⓁⓁ 22	2	-2	EA	HARNES, MERC HELM POWER 25'	1816658

* ADDITIONAL PART SUPPLIED WITH STEERING PUMP # 1772668



INTERPRET DIMENSIONS AND TOLERANCES PER ANSI Y 14.5 UNLESS OTHERWISE SPECIFIED DIMENSIONS ARE IN INCHES.
TOLERANCES: ANGLES = ± .5° .XXX = ± .010
.X = ± .1 X = ± 1/16
.XX = ± .03

DO NOT SCALE DRAWING

DRAWN: R. AVILA

DATE: 08/11/05

SCALE: NONE

BOAT MODEL

MOLD NO.

DWG. TITLE:

285CQ

DIAGRAM, SMARTCRAFT DUAL SYSTEM VIEW W/DTS

INIT. REL. ECN NO:

DWG. NO:

SHT. NO.

050362

07214

2 OF 3

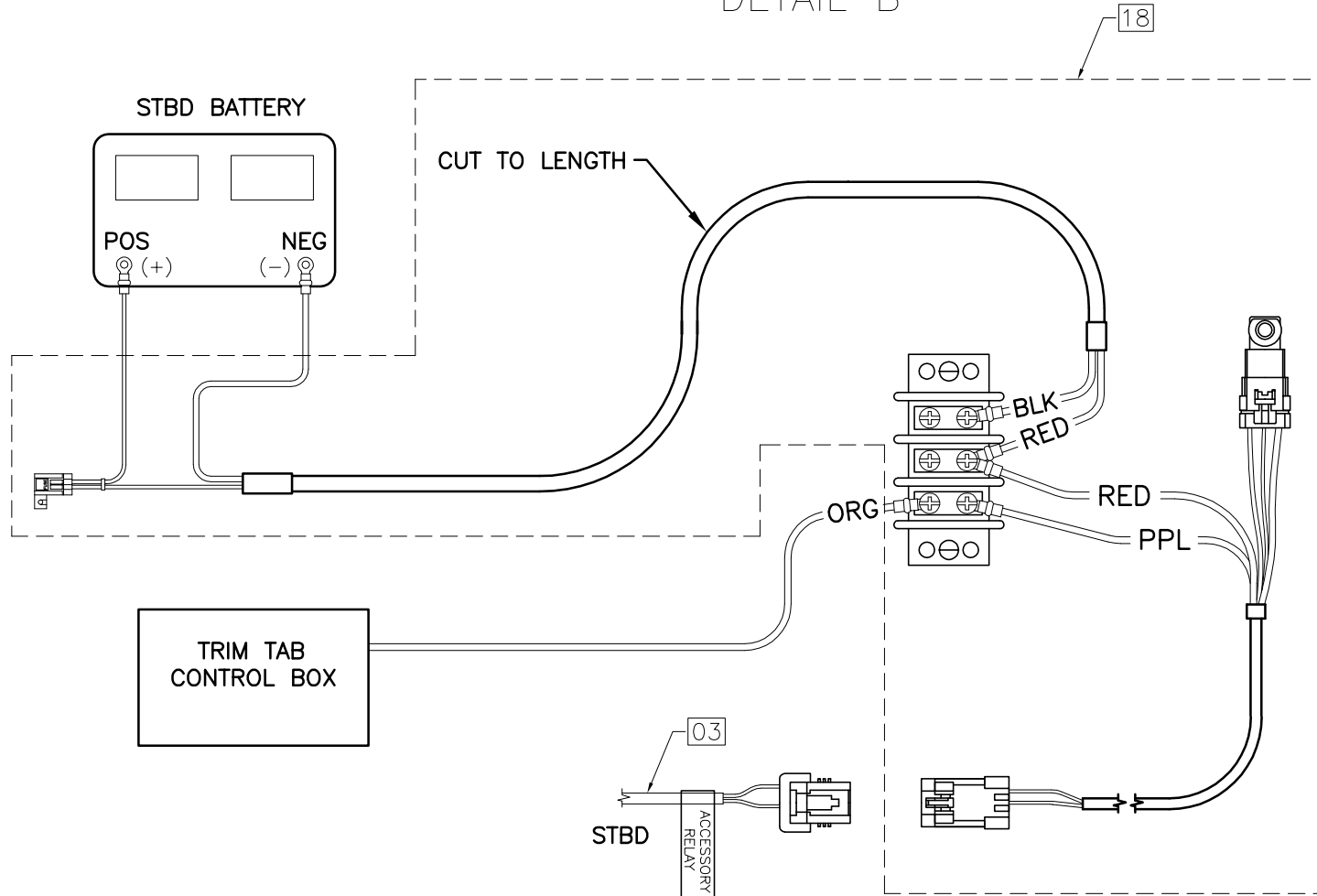
THIS DOCUMENT IS THE PROPERTY OF BOSTON WHALER, INC. MFG. DEPT., EDGEWATER, FLORIDA. ALL RIGHTS ARE RESERVED. THIS DOCUMENT AND INFORMATION CONTAINED MUST NOT BE COPIED OR DISCLOSED TO OTHERS WITHOUT WRITTEN PERMISSION OF BOSTON WHALER, INC.

DWG. NO:
07214

REV.
L

CURRENT ECD
09056007

"DETAIL B"



INTERPRET DIMENSIONS AND TOLERANCES PER ANSI Y 14.5 UNLESS OTHERWISE SPECIFIED DIMENSIONS ARE IN INCHES.
 TOLERANCES: ANGLES = ± .5° .XXX = ± .010
 .X = ± .1 X = ± 1/16
 .XX = ± .03 X = ± 1/16
 DO NOT SCALE DRAWING

DRAWN: R. AVILA DATE: 08/11/05 SCALE: NONE
 DWG. TITLE: DIAGRAM, SMARTCRAFT DUAL SYSTEM VIEW W/DTS

BOAT MODEL 285CQ	MOLD NO.
INIT. REL. ECN NO: 050362	DWG. NO: 07214
SHT. NO. 3 of 3	

THIS DOCUMENT IS THE PROPERTY OF BOSTON WHALER, INC. MFG. DEPT., EDGEWATER, FLORIDA. ALL RIGHTS ARE RESERVED. THIS DOCUMENT AND INFORMATION CONTAINED MUST NOT BE COPIED OR DISCLOSED TO OTHERS WITHOUT WRITTEN PERMISSION OF BOSTON WHALER, INC.

DWG. NO:
08600

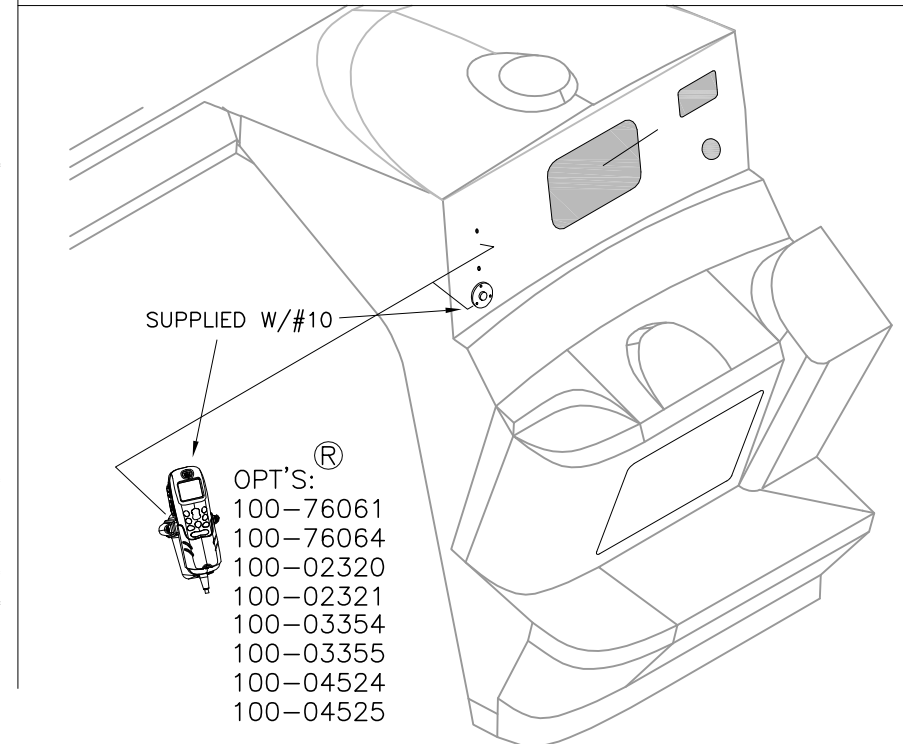
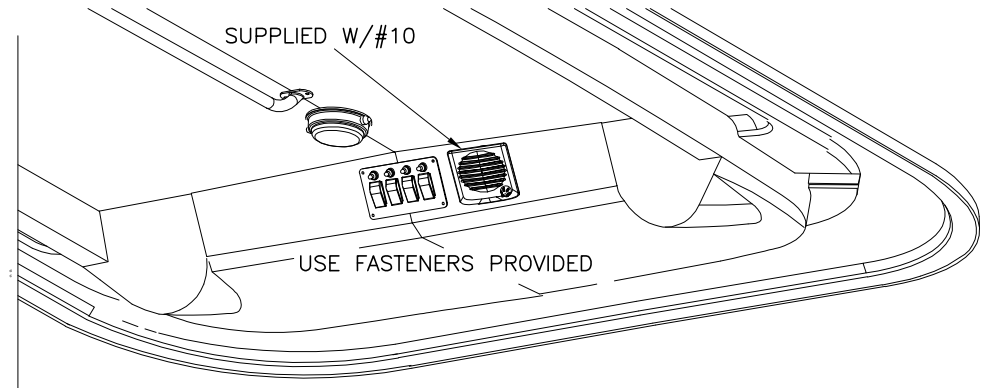
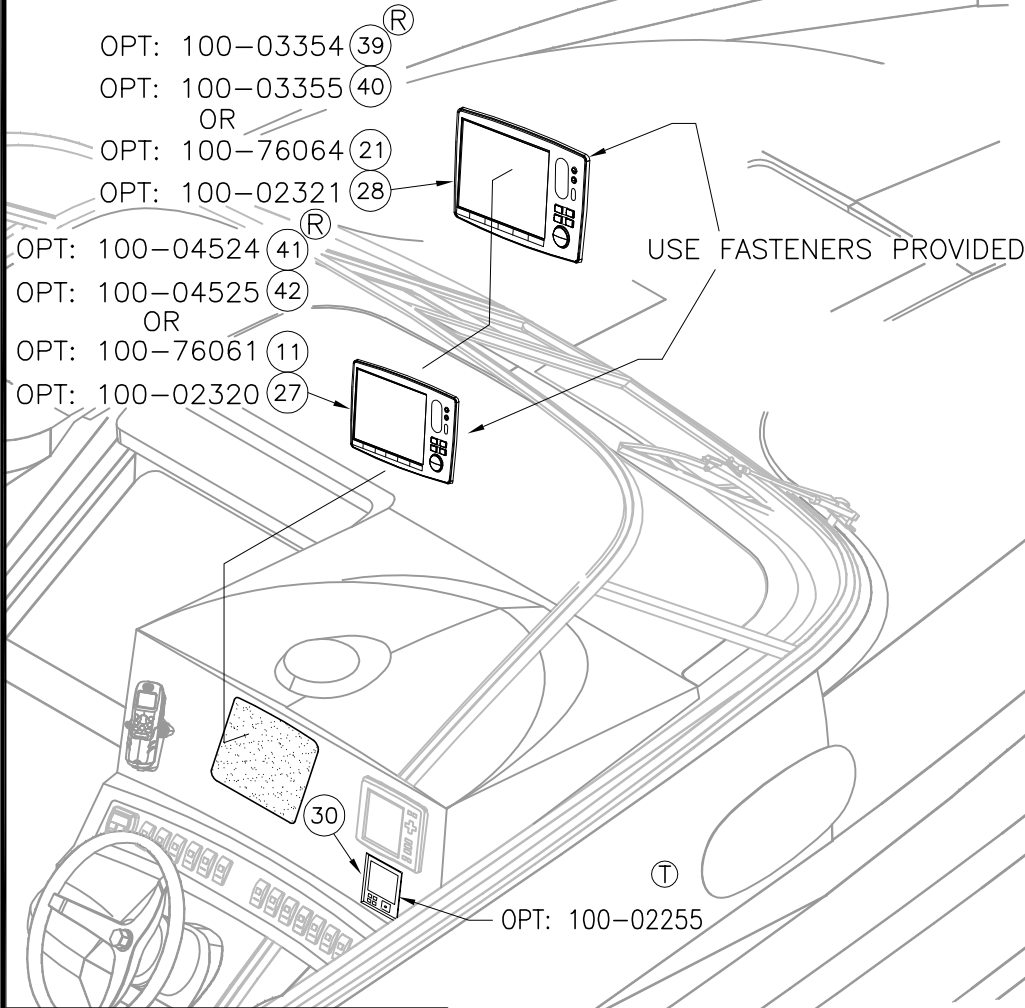
REV.
U

CURRENT ECD
10077042

NOTE:

1. REFER TO DWG 16-109 FOR HELM CUTOUTS
2. REFER TO DWG 16-121 FOR HARD TOP CUTOUTS
3. REFER TO DWG 08-401 FOR HARD TOP & SPOTLIGHT
4. REFER TO DWG 01-300 FOR TIE CABLES & TIE BLOCKS P/N & STANDARDS.

REVISIONS					
REV.	DESCR.	BY	DATE	APPVD.	ECN NO.
T	MYE "11" ,OPT# WAS 100-02256, SHT 1 & 3	SLJ	06/24/10		10066931
U	REPLACED PT# 1802190 WITH 2017188 SHT 5	SG	08/06/10		10077042



INTERPRET DIMENSIONS AND TOLERANCES PER ANSI Y 14.5 UNLESS OTHERWISE SPECIFIED DIMENSIONS ARE IN INCHES.
TOLERANCES: ANGLES = ± .5° .XXX = ± .010
.X = ± .1 .XX = ± .03 X = ± 1/16
DO NOT SCALE DRAWING



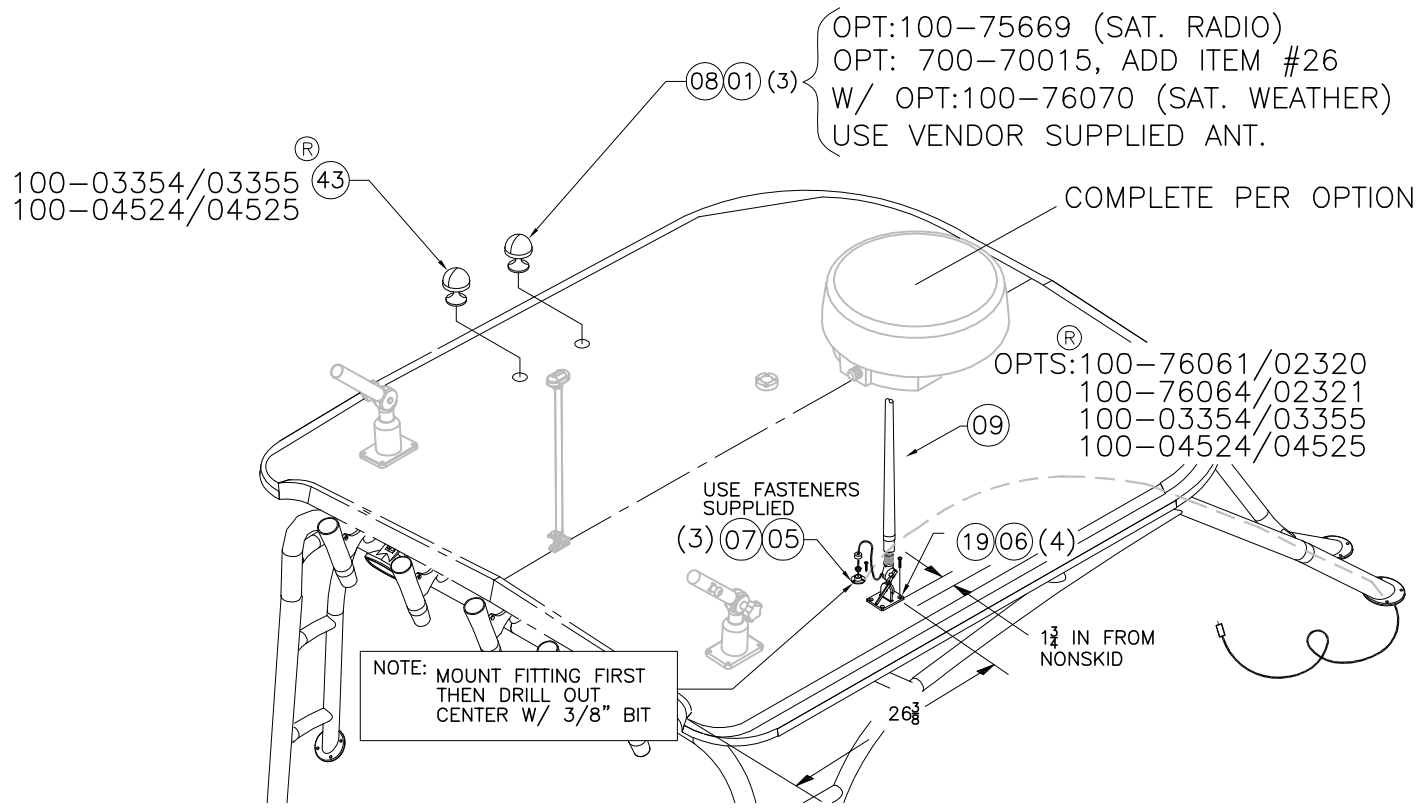
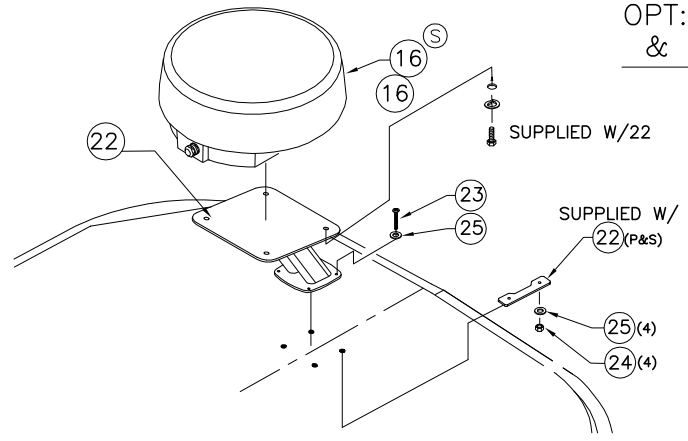
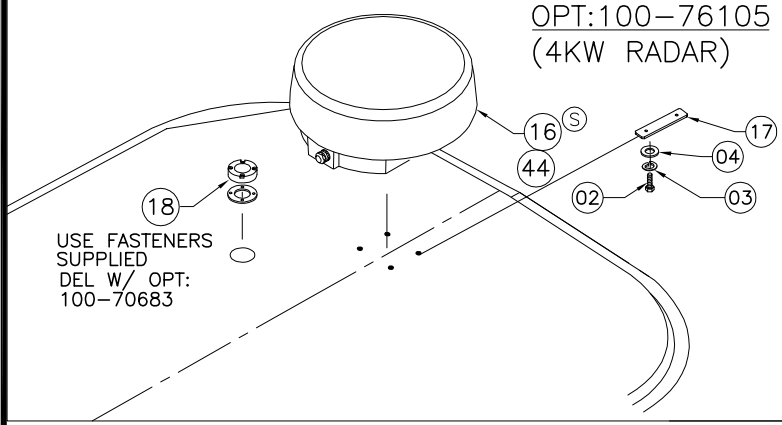
CHECKED: R.A.	DATE: 11-10-05	DRAWN: HAL READ	DATE: 11/09/05	SCALE: NONE	BOAT MODEL	MOLD NO.
APPD: K.R.	DATE: 11-10-05	DWG. TITLE:			285CQ	
DESIGN: V.P.K.	DATE: 11-11-05	ELECTRONICS PACKAGE			INIT. REL. ECN NO:	DWG. NO:
INT. ENG: MG	DATE: 12-14-06				050362	08600
					SHT. NO.	
					1	OF 5

THIS DOCUMENT IS THE PROPERTY OF BOSTON WHALER, INC. MFG. DEPT., EDGEWATER, FLORIDA. ALL RIGHTS ARE RESERVED. THIS DOCUMENT AND INFORMATION CONTAINED MUST NOT BE COPIED OR DISCLOSED TO OTHERS WITHOUT WRITTEN PERMISSION OF BOSTON WHALER, INC.

DWG. NO:
08600

REV.
U

CURRENT ECD
10077042



INTERPRET DIMENSIONS AND TOLERANCES PER ANSI Y 14.5 UNLESS OTHERWISE SPECIFIED DIMENSIONS ARE IN INCHES.
TOLERANCES: ANGLES = ± .5° .XXX = ± .010
.X = ± .1 X = ± 1/16
.XX = ± .03

DO NOT SCALE DRAWING

DRAWN: HAL READ DATE: 11/09/05 SCALE: NONE
DWG. TITLE: ELECTRONICS PACKAGES

BOAT MODEL
285CQ
INIT. REL. ECN NO:
050362

MOLD NO.
DWG. NO:
08600

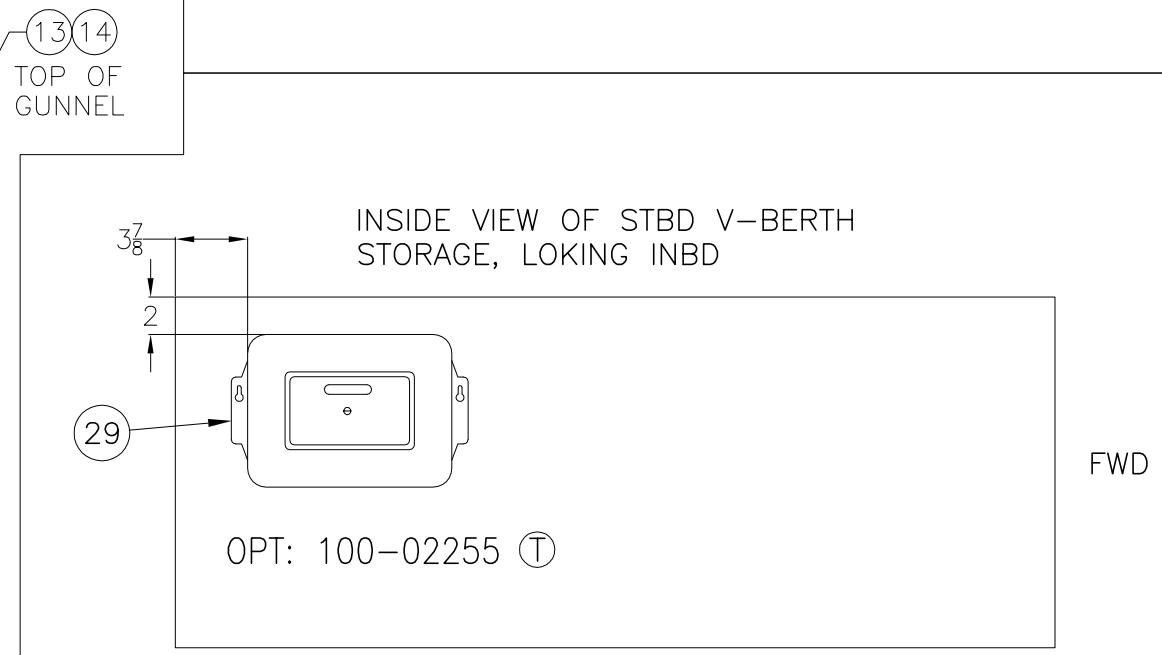
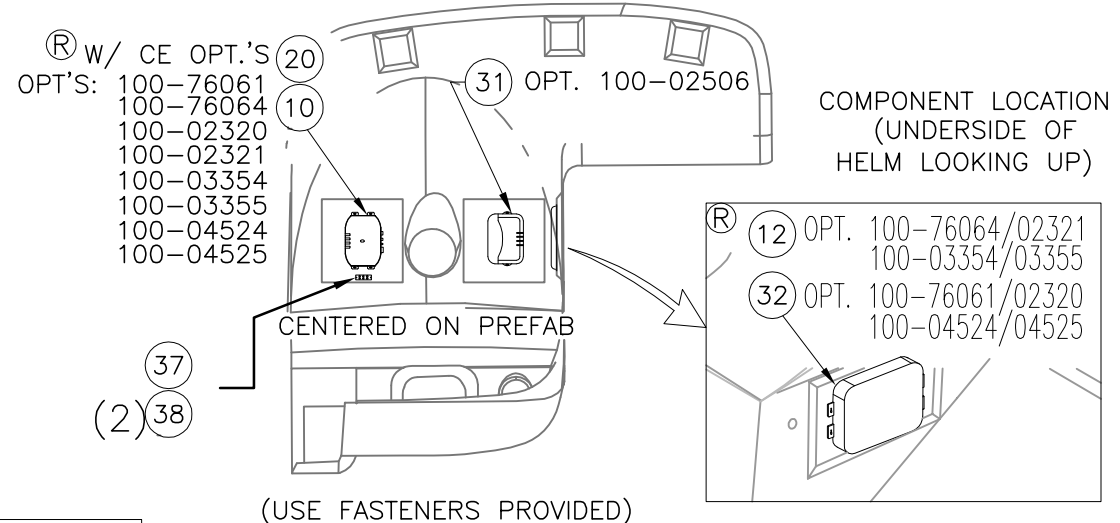
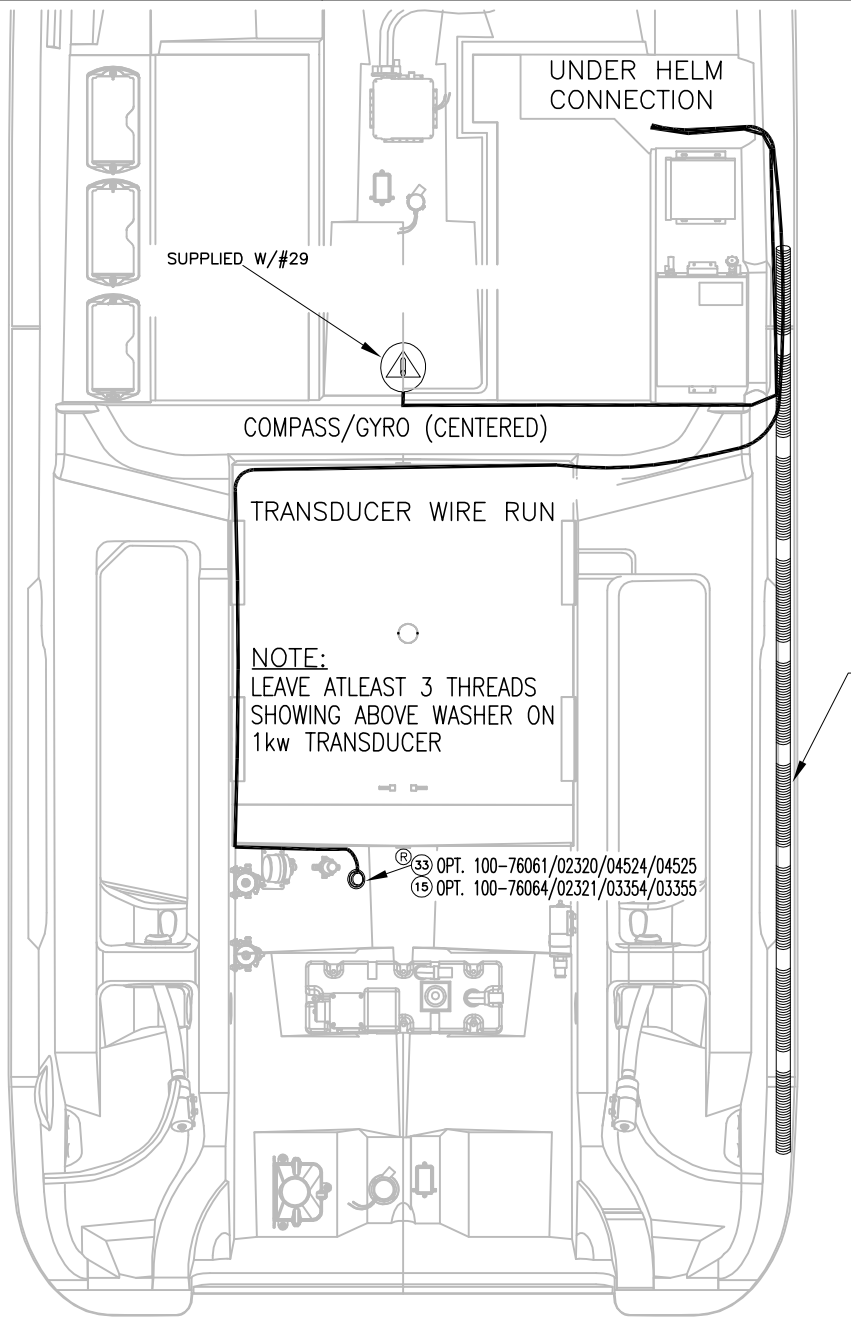
SHT. NO.
2 OF 5

THIS DOCUMENT IS THE PROPERTY OF BOSTON WHALER, INC. MFG. DEPT., EDGEWATER, FLORIDA. ALL RIGHTS ARE RESERVED. THIS DOCUMENT AND INFORMATION CONTAINED MUST NOT BE COPIED OR DISCLOSED TO OTHERS WITHOUT WRITTEN PERMISSION OF BOSTON WHALER, INC.

DWG. NO:
08600

REV.
U

CURRENT ECD
10077042



INTERPRET DIMENSIONS AND TOLERANCES PER ANSI Y 14.5 UNLESS OTHERWISE SPECIFIED DIMENSIONS ARE IN INCHES.
TOLERANCES: ANGLES = ± .5° .XXX = ± .010
.X = ± .1 X = ± 1/16
.XX = ± .03
DO NOT SCALE DRAWING

DRAWN: HAL READ	DATE: 11/09/05	SCALE: NONE	BOAT MODEL 285CQ	MOLD NO.
DWG. TITLE: ELECTRONICS PACKAGES			INIT. REL. ECN NO: 050362	DWG. NO: 08600
				SHT. NO. 3 OF 5

THIS DOCUMENT IS THE PROPERTY OF BOSTON WHALER, INC. MFG. DEPT., EDGEWATER, FLORIDA. ALL RIGHTS ARE RESERVED. THIS DOCUMENT AND INFORMATION CONTAINED MUST NOT BE COPIED OR DISCLOSED TO OTHERS WITHOUT WRITTEN PERMISSION OF BOSTON WHALER, INC.

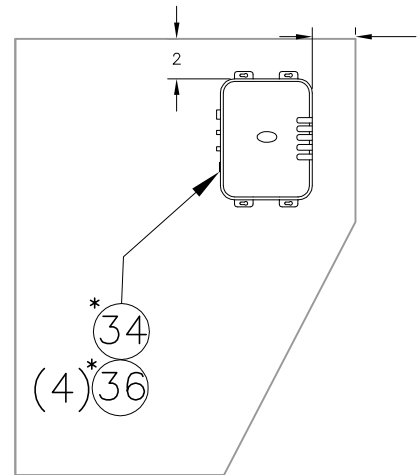
DWG. NO:
08600

REV.
U

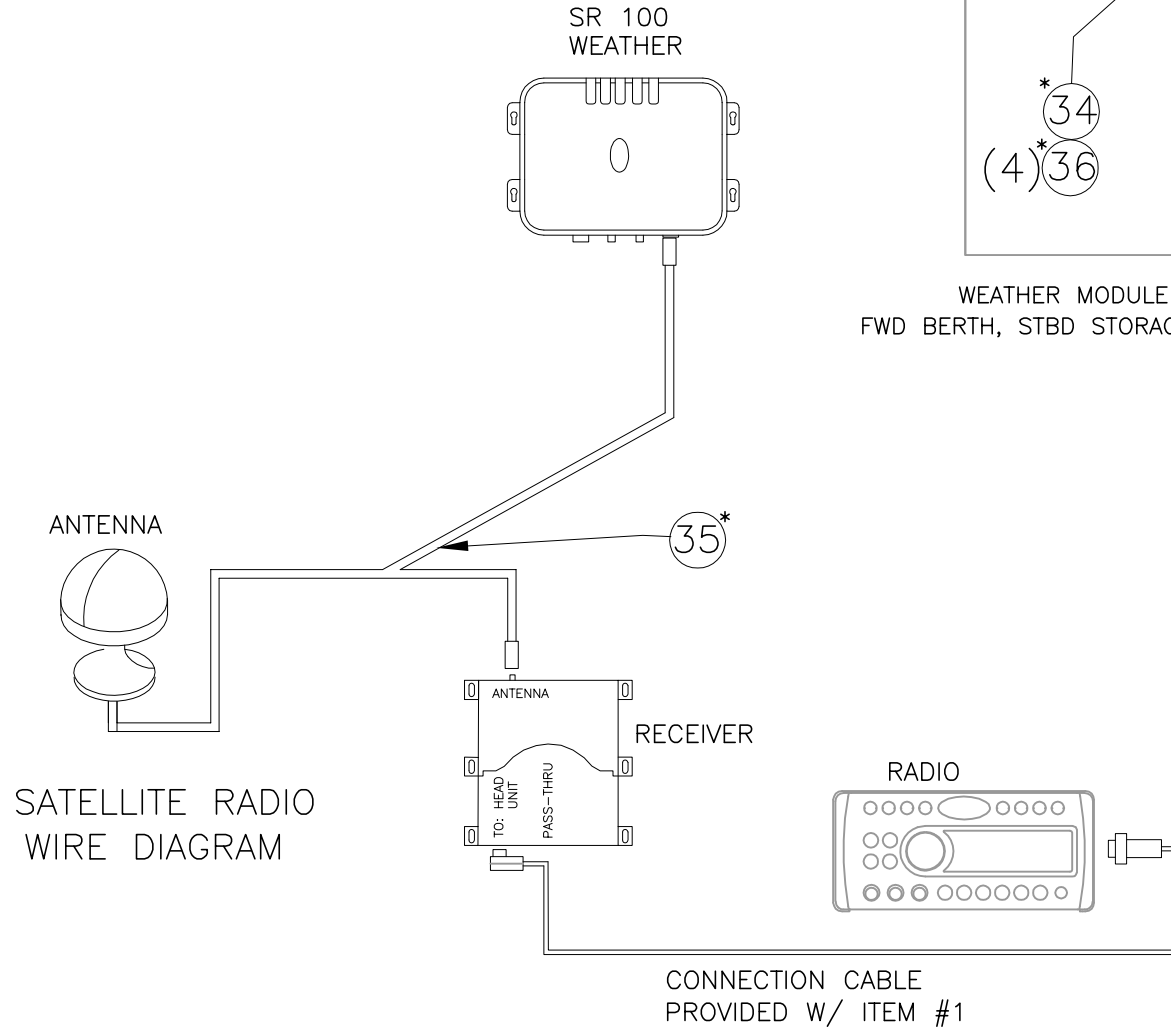
CURRENT ECD
10077042

* OPT. 100-76070
OPT. 100-02506

VIEW LOOKING AFT



WEATHER MODULE LOCATION
FWD BERTH, STBD STORAGE, AFT BULKHEAD



SATELLITE RADIO
WIRE DIAGRAM

CONNECTION CABLE
PROVIDED W/ ITEM #1



INTERPRET DIMENSIONS AND TOLERANCES PER ANSI Y 14.5 UNLESS OTHERWISE SPECIFIED DIMENSIONS ARE IN INCHES.
TOLERANCES: ANGLES = ± .5° .XXX = ± .010
.X = ± .1 X = ± 1/16
.XX = ± .03

DO NOT SCALE DRAWING

DRAWN: HAL READ DATE: 11/09/05 SCALE: NONE
DWG. TITLE:
ELECTRONICS PACKAGES

BOAT MODEL
285CQ
INIT. REL. ECN NO:
050362

MOLD NO.
DWG. NO:
08600

SHT. NO.
4 OF 5

PARTS LIST

ITEM	QTY.	U/M	DESCRIPTION	B.W.I. NO.
1	3	EA.	SCREW, TAPPING #10A X 1" POH SC	1008507
2	4	EA.	SCREW, CAP #5/16-18 X 1.5" HEX HD SC	1008044
3	4	EA.	WASHER, LOCK/SPLIT 5/16" SC	1260611
4	4	EA.	WASHER, FLAT #5/16" SC	1260785
5	3	EA.	SCREW, TAPPING #4A X 5/8" POH SC	1007822
6	1	EA.	MOUNT, RATCHET VHF 1815 SS QUICK-FIT	1792447
7	1	EA.	FITTING, WATER TIGHT OUTLET FOR 5/16" CAB	0122853
8	1	EA.	ANTENNA, SHAKESPEARE SATELLITE RADIO ANTENNA	1757933
9	1	EA.	ANTENNA, VHF 1710 N/CBL MNT	1792452
10	1	EA.	RADIO, VHF RAYMARINE RAY 240	1781360
11	1	EA.	NAVIGATION DISPLAY, RAYMARINE C120W	1968059
12	1	EA.	DEPTH SOUNDER, DSM300R DIGITAL SOUNDER MODULE	1965594
13	20	FT.	CORD, NYLON 1/8" WHT	1033372
14	15	FT.	HOSE, CONDUIT/UNSPPLIT 1.5" FLAME RETARDANT	1817798
15	1	EA.	TRANSDUCER, D/T B164 W/20DEG 50/200KHZ 1KW	1965595
Ⓢ 16	1	EA.	RADAR, RD424HD 4KW HD DIGITAL DOME N/CABLE	2017573
17	2	EA.	PLATE, ALUM BW-10 4KW RADOME ANTENNA	1971037
18	1	EA.	RADAR, CABLE SEAL	1780436
19	4	EA.	SCREW, TAPPING #14A X 1" PFH SC	1008366
20	1	EA.	RADIO, RAY 240 EURO VHF SYS	1939412
21	1	EA.	NAVIGATION DISPLAY, RAYMARINE C140W	1965580
22	1	EA.	ARCH, RADAR ALUM BW-10 RAYMARINE RADOME	1967293
23	4	EA.	SCREW, MACHINE #1/4-20 X 2" PPH SC	1008614
24	4	EA.	NUT, LOCK #1/4-20 SC STD PATT	1009786
25	8	EA.	WASHER, FLAT #1/4" SC	1260769
26	1	EA.	CABLE, SIRIUS ANTENNA "Y"(1 ANT/2 REC)	1967760
27	1	EA.	NAVIGATION DISPLAY, RAYMARINE C120W (EU)	1971960
28	1	EA.	NAVIGATION DISPLAY, RAYMARINE C140W (EU)	1971962
29	1	EA.	AUTO PILOT, SMARTPILOT X-30 COREPACK	1965596
30	1	EA.	AUTO PILOT, ST70 CNTRL HEAD	1965744
31	1	EA.	MODULE, RAYMARINE HS NETWORK SW	1803076
32	1	EA.	DEPTH SOUNDER, DSM30 DIGITAL SOUNDER MODULE	1971011
33	1	EA.	TRANSDUCER, D/T B60 20DEG 50/200KHZ	1963338
34	1	EA.	MODULE, SR100 SIRIUS WEATHER	1946747
35	1	EA.	CABLE, SIRIUS ANTENNA "Y"(1 ANT/2 REC)	1967760
36	4	EA.	SCREW, TAPPING #8A X 5/8" PTH SC	1010925
37	1	EA.	BUSS BAR, 6-GANG TERMINAL STRIP	0179242
38	2	EA.	SCREW, TAPPING #8A X 1/2" PTH SC	1008812
Ⓡ 39	1	EA.	NAVIGATION DISPLAY, RAYMARINE E140W	1978652
Ⓡ 40	1	EA.	NAVIGATION DISPLAY, RAYMARINE E140W EU	1980573
Ⓡ 41	1	EA.	NAVIGATION DISPLAY, RAYMARINE E120W US CHARTS	1979879
Ⓡ 42	1	EA.	NAVIGATION DISPLAY, RAYMARINE E120W EU	1981088
ⓇⓈ 43	1	EA.	GPS, RAYSTAR 125 PLUS STNG/NMEA 0183	2017188
Ⓢ 44	1	EA.	CABLE, RADAR DIGITAL PEDESTAL EXTSN 10M	1963057



INTERPRET DIMENSIONS AND TOLERANCES PER ANSI Y 14.5
UNLESS OTHERWISE SPECIFIED DIMENSIONS ARE IN INCHES.
TOLERANCES: ANGLES = ± .5° .XXX = ± .010
.X = ± .1 X = ± 1/16
.XX = ± .03 X = ± 1/32
DO NOT SCALE DRAWING

DRAWN: HAL READ

DATE: 11/09/05

SCALE: NONE

BOAT MODEL

MOLD NO.

DWG. TITLE:

ELECTRONICS PACKAGES

285CQ

INIT. REL. ECN NO:

DWG. NO:

050362

08600

SHT. NO.

5 OF 5

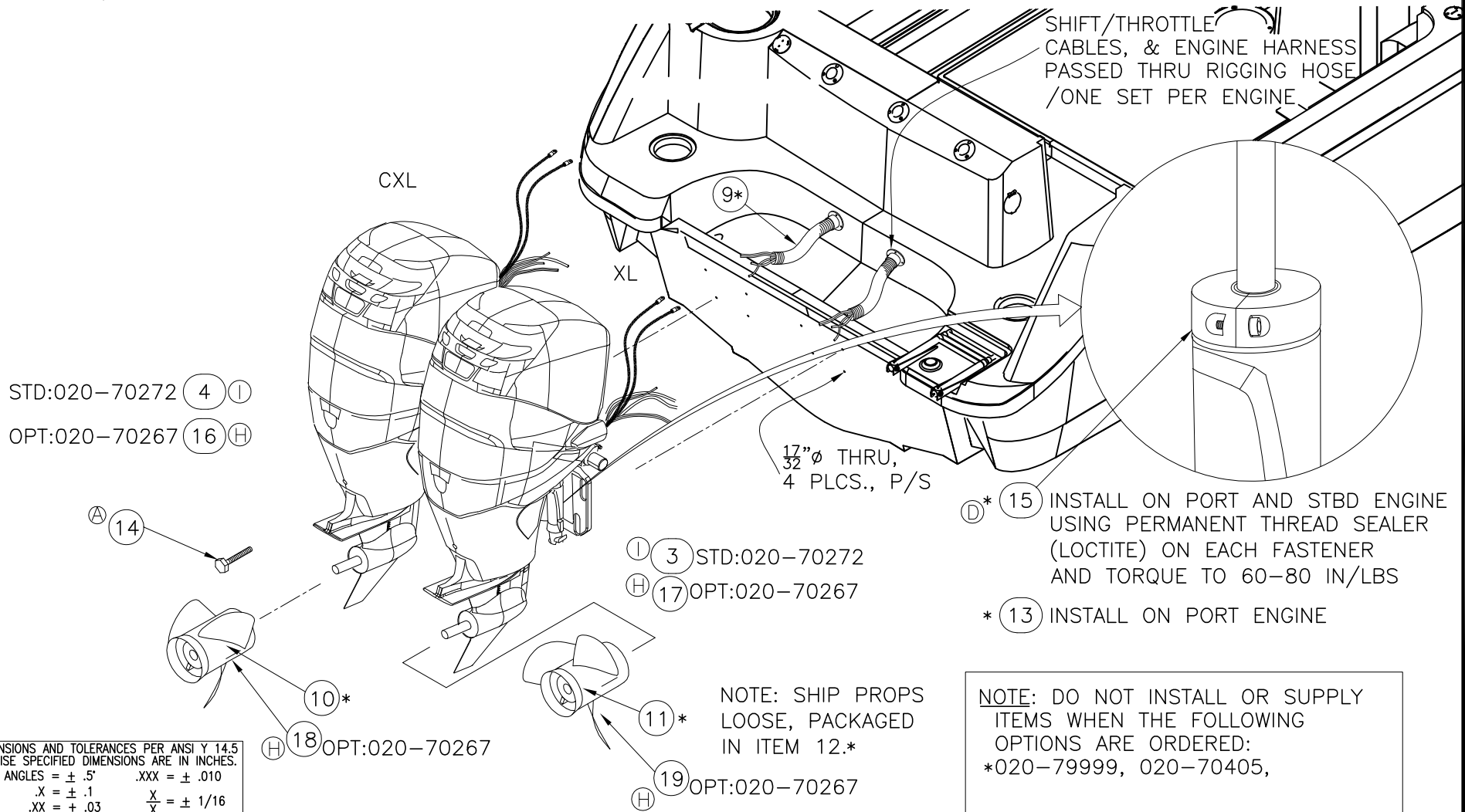
THIS DOCUMENT IS THE PROPERTY OF BOSTON WHALER, INC. MFG. DEPT., EDGEWATER, FLORIDA. ALL RIGHTS ARE RESERVED. THIS DOCUMENT AND INFORMATION CONTAINED MUST NOT BE COPIED OR DISCLOSED TO OTHERS WITHOUT WRITTEN PERMISSION OF BOSTON WHALER, INC.

DWG. NO: 10201	REV. 1	CURRENT ECD 08045137
--------------------------	------------------	--------------------------------

NOTES:

1. USE MERCURY INSTRUCTIONS & RIGGING TEMPLATE FOR HOLE LAYOUT AND INSTALLATION,
2. MARK CENTERLINE OF TRANSOM FOR ALIGNING RIGGING TEMPLATE.
3. HOLES TO BE DRILLED PERPENDICULAR TO TRANSOM.
4. ALL THRU-TRANSOM FASTENERS TO HAVE SEALANT APPLIED TO BOLT SHANKS & TORQUE TO 55 +/- 5 lb. ft.
5. ITEM #12 TO BE USED FOR PACKAGING PROPS.
6. FASTENERS, P/S HAVE BOLT HEAD ON "ENGINE SIDE".

REVISIONS					
REV.	DESCR.	BY	DATE	APPVD.	ECN NO.
H	ADD OPTION 20-70267 FOR DUAL 250 VERADOS	TKJ	2/13/08	AF	08024941
I	DELETED ITEMS 1 & 2 & OPTS:020-70282 & 70295, MADE OPT:70272 STD.	SLJ	04/29/08	DH	08045137



STD:020-70272 (4) (I)

OPT:020-70267 (16) (H)

(A) (14)

(H) (10)*
(H) (18) OPT:020-70267

(I) (3) STD:020-70272

(H) (17) OPT:020-70267

(H) (19) OPT:020-70267

NOTE: SHIP PROPS LOOSE, PACKAGED IN ITEM 12.*

(D)* (15) INSTALL ON PORT AND STBD ENGINE USING PERMANENT THREAD SEALER (LOCTITE) ON EACH FASTENER AND TORQUE TO 60-80 IN/LBS

* (13) INSTALL ON PORT ENGINE

NOTE: DO NOT INSTALL OR SUPPLY ITEMS WHEN THE FOLLOWING OPTIONS ARE ORDERED:
*020-79999, 020-70405,

INTERPRET DIMENSIONS AND TOLERANCES PER ANSI Y 14.5 UNLESS OTHERWISE SPECIFIED DIMENSIONS ARE IN INCHES.
TOLERANCES: ANGLES = ± .5° .XXX = ± .010
.X = ± .1 .XX = ± .03
X = ± 1/16
DO NOT SCALE DRAWING



CHECKED: RA	DATE: 08/08/05	DRAWN: HAL READ	DATE: 08/02/05	SCALE: NONE	BOAT MODEL 285CQ	MOLD NO.
APPD: KR	DATE: 08/08/05	DWG. TITLE: ENGINE INSTALLATION			INIT. REL. ECN NO: 050362	DWG. NO: 10201
DESIGN: VPK	DATE: 08/08/05				SHT. NO. 1 OF 2	
INT. ENG: MG	DATE: 11/01/05					

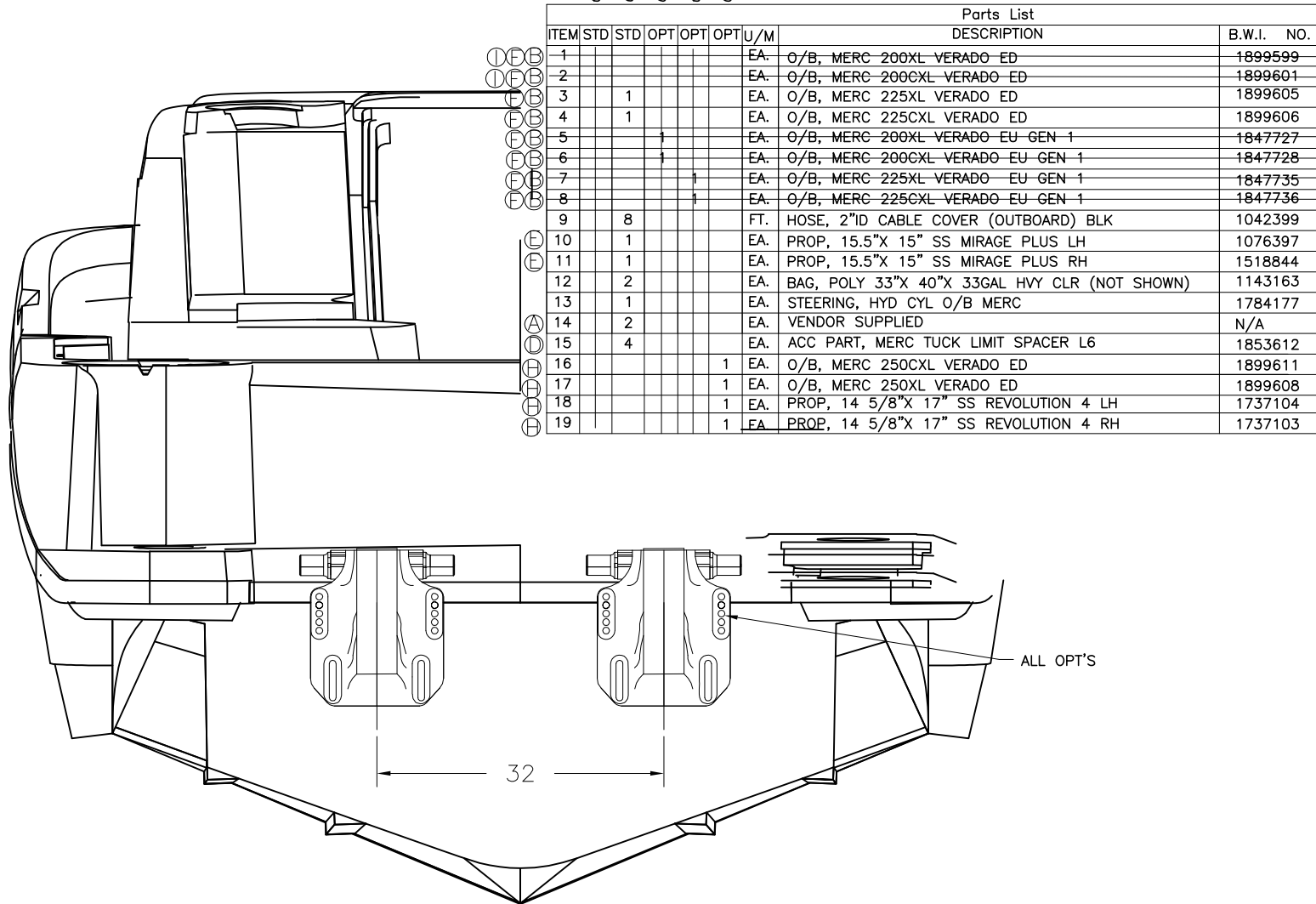
THIS DOCUMENT IS THE PROPERTY OF BOSTON WHALER, INC. MFG. DEPT., EDGEWATER, FLORIDA. ALL RIGHTS ARE RESERVED. THIS DOCUMENT AND INFORMATION CONTAINED MUST NOT BE COPIED OR DISCLOSED TO OTHERS WITHOUT WRITTEN PERMISSION OF BOSTON WHALER, INC.

DWG. NO:
10201

REV.
1

CURRENT ECD
08045137

020-79282
020 70272
020 70295
020-79289
020 70267



Parts List								B.W.I.	NO.
ITEM	STD	STD	OPT	OPT	OPT	U/M	DESCRIPTION		
1						EA.	O/B, MERC 200XL VERADO ED	1899599	
2						EA.	O/B, MERC 200CXL VERADO ED	1899601	
3		1				EA.	O/B, MERC 225XL VERADO ED	1899605	
4		1				EA.	O/B, MERC 225CXL VERADO ED	1899606	
5						EA.	O/B, MERC 200XL VERADO EU GEN 1	1847727	
6						EA.	O/B, MERC 200CXL VERADO EU GEN 1	1847728	
7						EA.	O/B, MERC 225XL VERADO EU GEN 1	1847735	
8						EA.	O/B, MERC 225CXL VERADO EU GEN 1	1847736	
9		8				FT.	HOSE, 2"ID CABLE COVER (OUTBOARD) BLK	1042399	
10		1				EA.	PROP, 15.5"X 15" SS MIRAGE PLUS LH	1076397	
11		1				EA.	PROP, 15.5"X 15" SS MIRAGE PLUS RH	1518844	
12		2				EA.	BAG, POLY 33"X 40"X 33GAL HVY CLR (NOT SHOWN)	1143163	
13		1				EA.	STEERING, HYD CYL O/B MERC	1784177	
14		2				EA.	VENDOR SUPPLIED	N/A	
15		4				EA.	ACC PART, MERC TUCK LIMIT SPACER L6	1853612	
16					1	EA.	O/B, MERC 250CXL VERADO ED	1899611	
17					1	EA.	O/B, MERC 250XL VERADO ED	1899608	
18					1	EA.	PROP, 14 5/8"X 17" SS REVOLUTION 4 LH	1737104	
19					1	EA.	PROP, 14 5/8"X 17" SS REVOLUTION 4 RH	1737103	



INTERPRET DIMENSIONS AND TOLERANCES PER ANSI Y 14.5 UNLESS OTHERWISE SPECIFIED DIMENSIONS ARE IN INCHES.
TOLERANCES: ANGLES = ± .5° .XXX = ± .010
.X = ± .1
.XX = ± .03
X/X = ± 1/16
DO NOT SCALE DRAWING

DRAWN: HAL READ

DATE: 08/02/05

SCALE: NONE

BOAT MODEL

285CQ

MOLD NO.

DWG. TITLE:

ENGINE INSTALLATION

INIT. REL. ECN NO:

050362

DWG. NO:

10201

SHT. NO.

2 OF 2

THIS DOCUMENT IS THE PROPERTY OF BOSTON WHALER, INC. MFG. DEPT., EDGEWATER, FLORIDA. ALL RIGHTS ARE RESERVED. THIS DOCUMENT AND INFORMATION CONTAINED MUST NOT BE COPIED OR DISCLOSED TO OTHERS WITHOUT WRITTEN PERMISSION OF BOSTON WHALER, INC.

DWG. NO:
08503

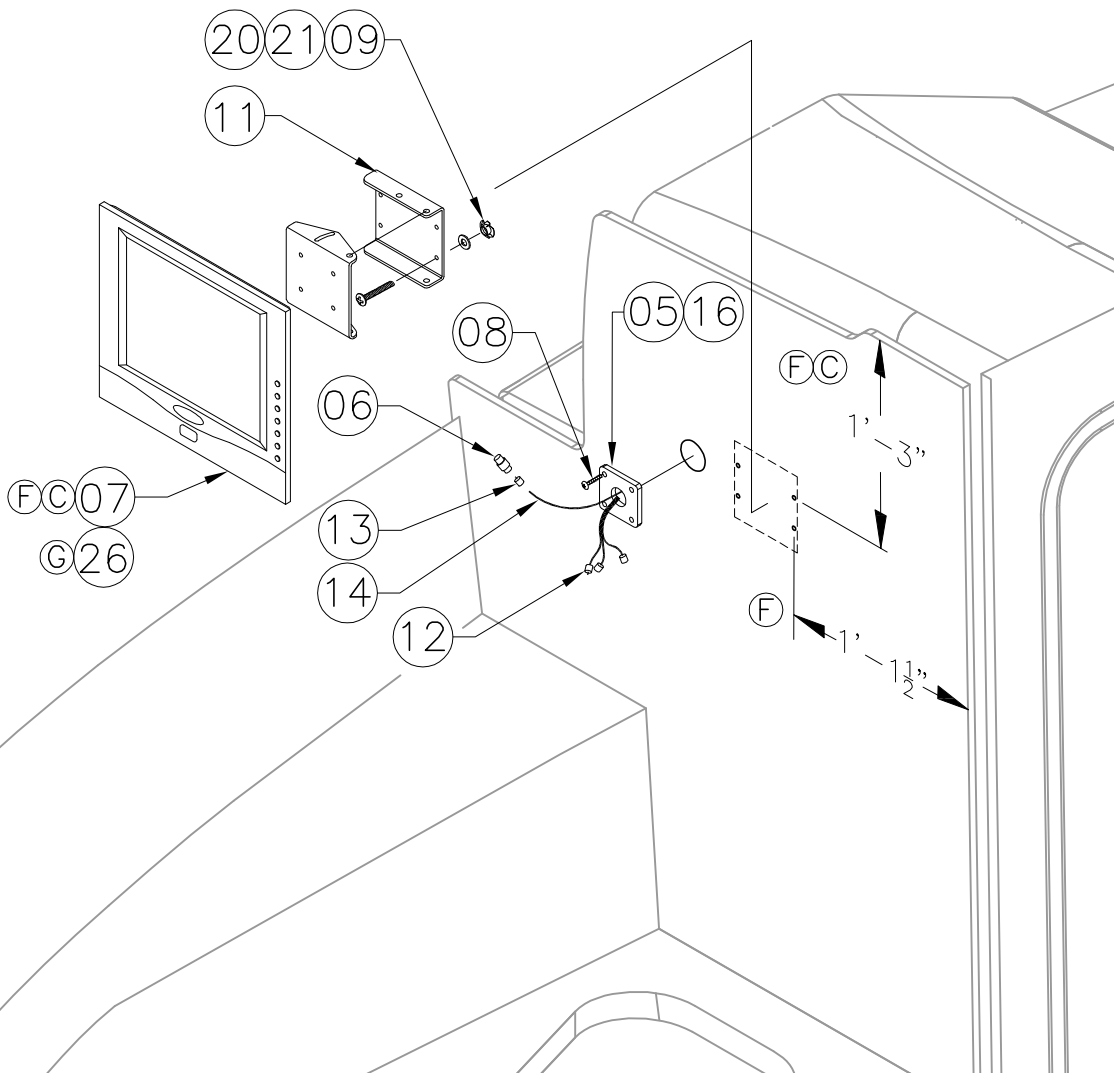
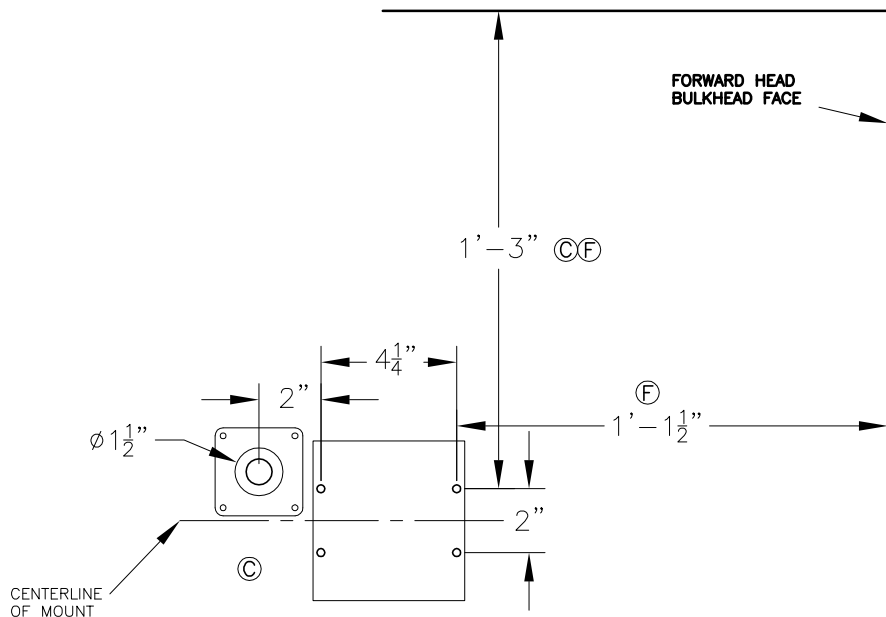
REV.
G

CURRENT ECD
10046715

NOTE:

1. SEE DWG 09-203 FOR SHORE POWER
2. SCREWS INCLUDED W/#11 INSTALL USING LOCTITE.
3. SEE SHEET 3 FOR PAL TUNER INSTALLATION

REVISIONS					
REV.	DESCR.	BY	DATE	APPVD.	ECN NO.
A	ADD NOTE-- PG 2	SWH	1/20/06	HW	050362
B	ADDED ITEM #22, SHEETS 1 & 2	SLJ	04/03/07	AVF	07044098
C	ITEM 7 WAS 1804801, DELETED ITEMS 1-4, 15, 17-19	RJW	04/24/07	RA	07044239
D	REPLACED OPTION 100-75753 WITH 1936020	TKJ	1/16/07	AVF	07124828
E	CHANGED PT 1784874 TO 1893023 & DELETED 1887138	TKJ	2/23/09	AVR	08115643
F	MYE'10: ITEM #7 P/N WAS 1893931, DEL. #23; ADDED SHEET 3 & #S 24-25	SBL	11/18/09	ST	09045912
G	ADDED ITEM #26 SHT 2, DELETED ITEMS 24 & 25 & SHT 3	SLJ	04/28/10	ST	10046715



BULKHEAD CUTOUTS

OPT: 100-75753

OPT: 100-75233 ©

INTERPRET DIMENSIONS AND TOLERANCES PER ANSI Y 14.5 UNLESS OTHERWISE SPECIFIED DIMENSIONS ARE IN INCHES.
TOLERANCES: ANGLES = ± .5° .XXX = ± .010
.X = ± .1 .XX = ± .03 X/X = ± 1/16
DO NOT SCALE DRAWING



CHECKED: D. HOY	DATE: 1/13/06	DRAWN: HAL READ	DATE: 01/13/06	SCALE: NONE	BOAT MODEL: 285CQ	MOLD NO.:
APPD: KR	DATE: 1/16/06	DWG. TITLE: ENTERTAINMENT PACKAGE			INIT. REL. ECN NO: 050362	DWG. NO: 08503
DESIGN: VPK	DATE: 1/16/06					SHT. NO. 1 OF 2
INT. ENG: MG	DATE: 1/16/06					

THIS DOCUMENT IS THE PROPERTY OF BOSTON WHALER, INC. MFG. DEPT., EDGEWATER, FLORIDA. ALL RIGHTS ARE RESERVED. THIS DOCUMENT AND INFORMATION CONTAINED MUST NOT BE COPIED OR DISCLOSED TO OTHERS WITHOUT WRITTEN PERMISSION OF BOSTON WHALER, INC.

DWG. NO:
08503

REV.
G

CURRENT ECD
10046715

100-75753
100-75233

PARTS LIST

ITEM	QTY.	QTY.	U/M	DESCRIPTION	B.W.I. NO.
Ⓒ	1	1	EA.	BOX, RECEPTACLE/SWITCH PVC 1-GANG SHALLOW	0627745
Ⓒ	2	1	EA.	RECEPTACLE, DUPLEX WHT 15A	0324038
Ⓒ	3	1	EA.	COVER PLATE, SGL DUPLEX RECEPT WHT	0258384
Ⓒ	4	1	EA.	RECEPTACLE, EURO (ENGLISH STD)	1781243
	5	1	EA.	BUSHING, PLAS STRAIN RELIEF 7/8"OD BLK	1819901
	6	1	EA.	CONN, COAX EURO TV ADAPTER "F" TYPE	0637058
ⒺⒸ	7	1	EA.	TELEVISION, 19" JENSEN 12V LCD HDTV	1967349
	8	4	EA.	SCREW, TAPPING #6A X 1/2" PTH SC	1008796
	9	4	EA.	NUT, TEE #1/4-20 X 5/16" SS	0768564
Ⓔ	10	1	EA.	DVD, JENSEN 12V DIN	1893023
	11	1	EA.	BRACKET, MOUNT OMNIMOUNT TILT TV	1774015
	12	1	EA.	CABLE, RCA AUDIO/VIDEO 12'	1819280
	13	2	EA.	CONN, COAX 'F' TWIST-ON	0864306
	14	17	FT.	CABLE, COAXIAL RG6 1000' WHT	1779735
Ⓒ	15	1	EA.	TELEVISION, 15" LG LCD PAL	1804807
	16	1	EA.	PANEL, A/V BW-06 OUTLET WHT	1819910
Ⓒ	17	1	EA.	FRAME, IDEA-SERIES 3-GANG SUPPORT FRAME GREY	0893289
Ⓒ	18	1	EA.	SWITCH, BLANK IDEA-SERIES GREY	0893263
Ⓒ	19	1	EA.	COVER PLATE, IDEA-SERIES 3-GANG WHT	0975029
	20	4	EA.	SCREW, MACHINE #1/4-20 X 1.25" PPH	1260975
	21	4	EA.	WASHER, FLANGE #14 SC	1305762
ⒺⒸ	22	1	EA.	DVD, SLEEVE FOR DVD3M	1887138
Ⓔ	23	1	EA.	TELEVISION, 15" MAJESTIC LCD 12V W/ATSC TUNER	1936020
ⒺⒻ	24	1	EA.	TUNER, PAL EXTERNAL	1893027
ⒺⒻ	25	2	EA.	CONN, COAX 'F' TWIST-ON	0864306
Ⓒ	25	1	EA.	TELEVISION, 19" MB QUART 12V LCD HD PAL	2021443

NOTE: INSTALL DVD PLAYER IN LOWER LOCATION Ⓐ



INTERPRET DIMENSIONS AND TOLERANCES PER ANSI Y 14.5 UNLESS OTHERWISE SPECIFIED DIMENSIONS ARE IN INCHES.
TOLERANCES: ANGLES = ± .5° .XXX = ± .010
.X = ± .1 X = ± 1/16
.XX = ± .03 X = ± 1/16
DO NOT SCALE DRAWING

DRAWN: HAL READ DATE: 01/13/06 SCALE: NONE
DWG. TITLE: ENTERTAINMENT PACKAGE

BOAT MODEL
285CQ

MOLD NO.

INIT. REL. ECN NO:
050362

DWG. NO:
08503

SHT. NO.

2 OF 2

THIS DOCUMENT IS THE PROPERTY OF BOSTON WHALER, INC. MFG. DEPT., EDGEWATER, FLORIDA. ALL RIGHTS ARE RESERVED. THIS DOCUMENT AND INFORMATION CONTAINED MUST NOT BE COPIED OR DISCLOSED TO OTHERS WITHOUT WRITTEN PERMISSION OF BOSTON WHALER, INC.

DWG. NO:
11201

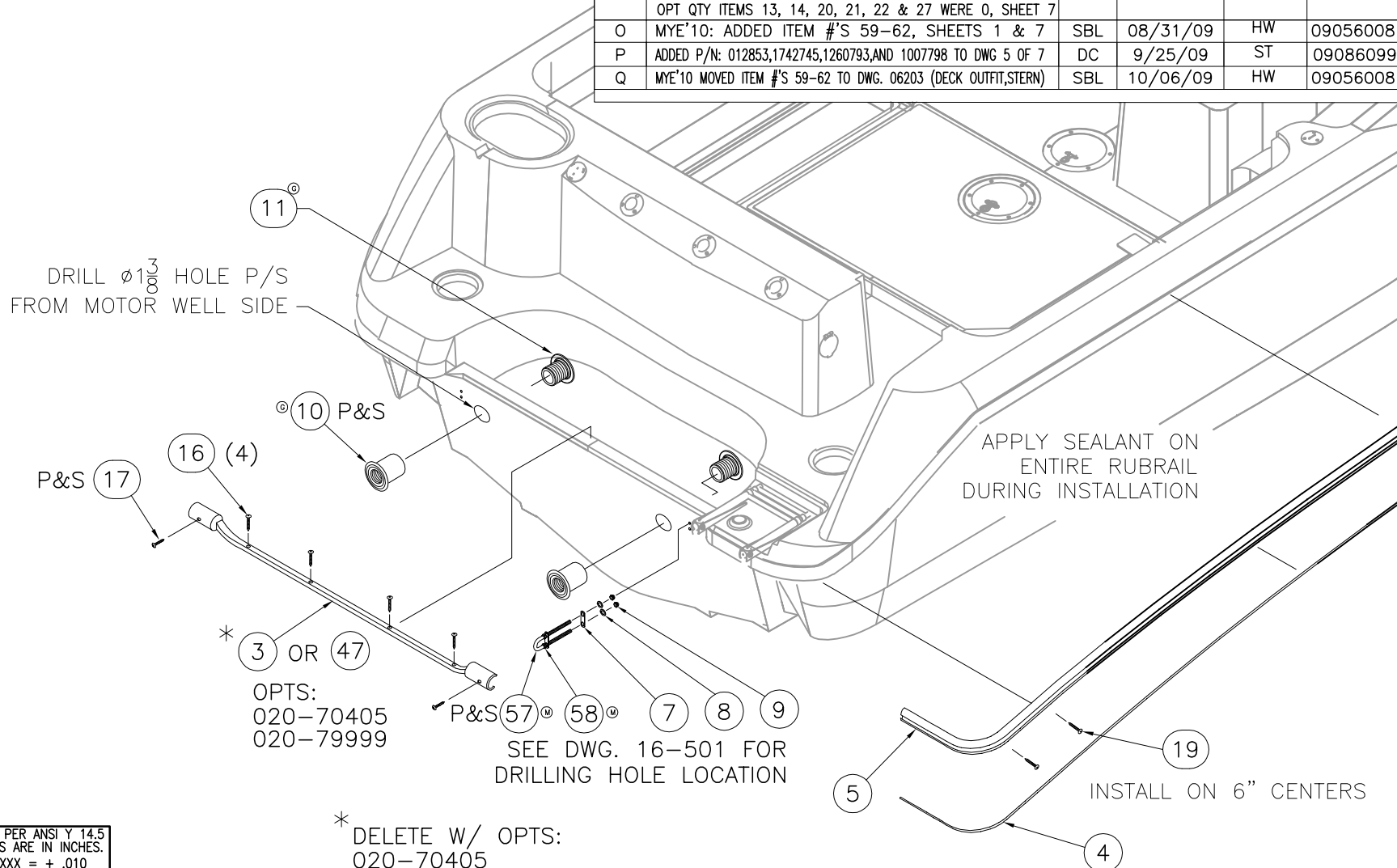
REV.
Q

CURRENT ECD
09056008

NOTES:

1. APPLY MARINE SEALANT TO ALL THRU HULLS AND FASTENERS.

REVISIONS					
REV.	DESCR.	BY	DATE	APPVD.	ECN NO.
J	37 WAS 1034552	SWH	5/11/07	AVF	07044277
K	ADDED IPS TO CONSOLE DURING INSTALLATION	TKJ	7/10/07	AVF	07064405
L	UPDATED ITEM#51 DESCRIPTION FROM 25" TO 22"	TKJ	7/10/07	AVF	07074459
M	REPLACED 1319664 WITH 1961748 AND 1961534	SG	8/13/09	AVF	09025784
N	MYE'10, #42 WAS 1808852, #44 WAS 1815806, #45 WAS 1815807, #46 WAS 1259415, OPT QTY ITEMS 13, 14, 20, 21, 22 & 27 WERE 0, SHEET 7	SLJ	08/24/09	RW	09066025
O	MYE'10: ADDED ITEM #'S 59-62, SHEETS 1 & 7	SBL	08/31/09	HW	09056008
P	ADDED P/N: 012853,1742745,1260793,AND 1007798 TO DWG 5 OF 7	DC	9/25/09	ST	09086099
Q	MYE'10 MOVED ITEM #'S 59-62 TO DWG. 06203 (DECK OUTFIT,STERN)	SBL	10/06/09	HW	09056008



INTERPRET DIMENSIONS AND TOLERANCES PER ANSI Y 14.5 UNLESS OTHERWISE SPECIFIED DIMENSIONS ARE IN INCHES.
 TOLERANCES: ANGLES = ± .5° .XXX = ± .010
 .X = ± .1 .XX = ± .03 X = ± 1/16
 DO NOT SCALE DRAWING

* DELETE W/ OPTS:
 020-70405
 020-79999



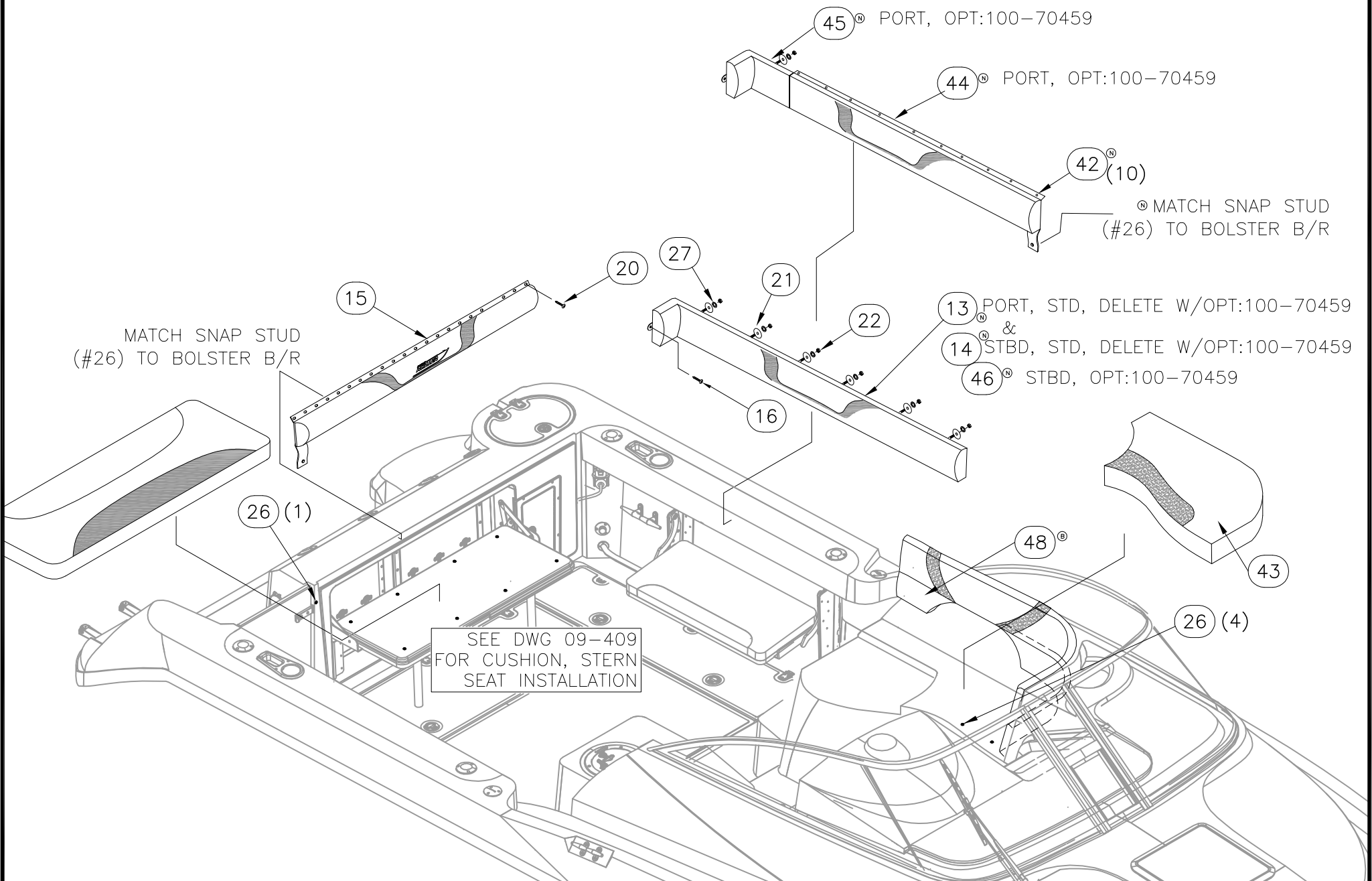
CHECKED: R. AVILA	DATE: 9/20/05	DRAWN: HAL READ	DATE: 08/29/05	SCALE: NONE	BOAT MODEL: 285CQ	MOLD NO.
APPD: K. RANIERI	DATE: 9/20/05	DWG. TITLE: FINAL ASSY.			INIT. REL. ECN NO: 050362	DWG. NO: 11201
DESIGN: V. KNIGHT	DATE: 9/20/05					SHT. NO. 1 OF 7
INT. ENG: M. GATICA	DATE: 9/20/05					

THIS DOCUMENT IS THE PROPERTY OF BOSTON WHALER, INC. MFG. DEPT., EDGEWATER, FLORIDA. ALL RIGHTS ARE RESERVED. THIS DOCUMENT AND INFORMATION CONTAINED MUST NOT BE COPIED OR DISCLOSED TO OTHERS WITHOUT WRITTEN PERMISSION OF BOSTON WHALER, INC.

DWG. NO:
11201

REV.
Q

CURRENT ECD
09056008



INTERPRET DIMENSIONS AND TOLERANCES PER ANSI Y 14.5 UNLESS OTHERWISE SPECIFIED DIMENSIONS ARE IN INCHES.
 TOLERANCES: ANGLES = ± .5° .XXX = ± .010
 .X = ± .1 X = ± 1/16
 .XX = ± .03
 DO NOT SCALE DRAWING

DRAWN: HAL READ DATE: 08/29/05 SCALE: NONE
 DWG. TITLE: FINAL ASSY.

BOAT MODEL
285CQ
INIT. REL. ECN NO:
050362

MOLD NO.
DWG. NO:
11201

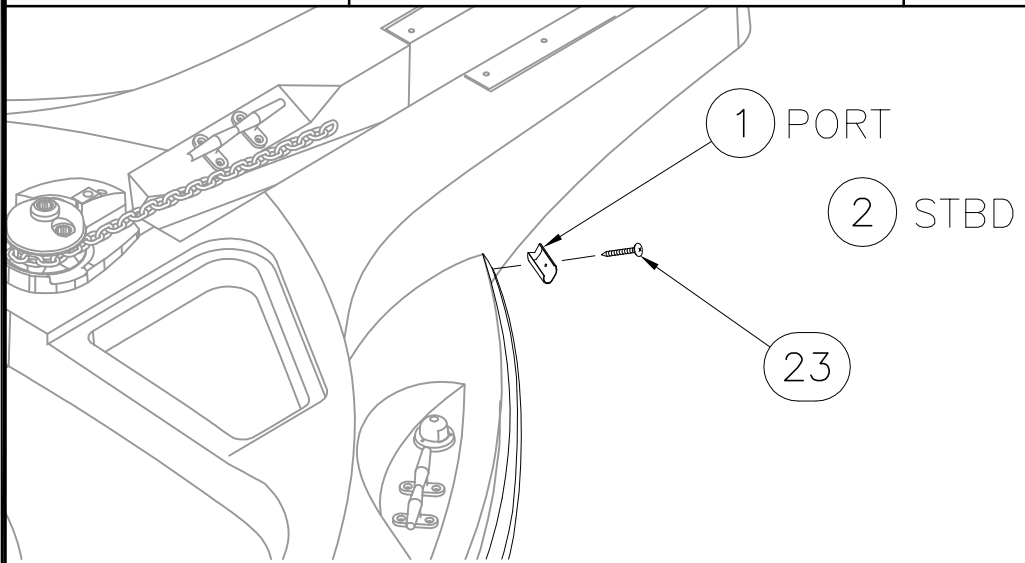
SHT. NO.
2 OF 7

THIS DOCUMENT IS THE PROPERTY OF BOSTON WHALER, INC. MFG. DEPT., EDGEWATER, FLORIDA. ALL RIGHTS ARE RESERVED. THIS DOCUMENT AND INFORMATION CONTAINED MUST NOT BE COPIED OR DISCLOSED TO OTHERS WITHOUT WRITTEN PERMISSION OF BOSTON WHALER, INC.

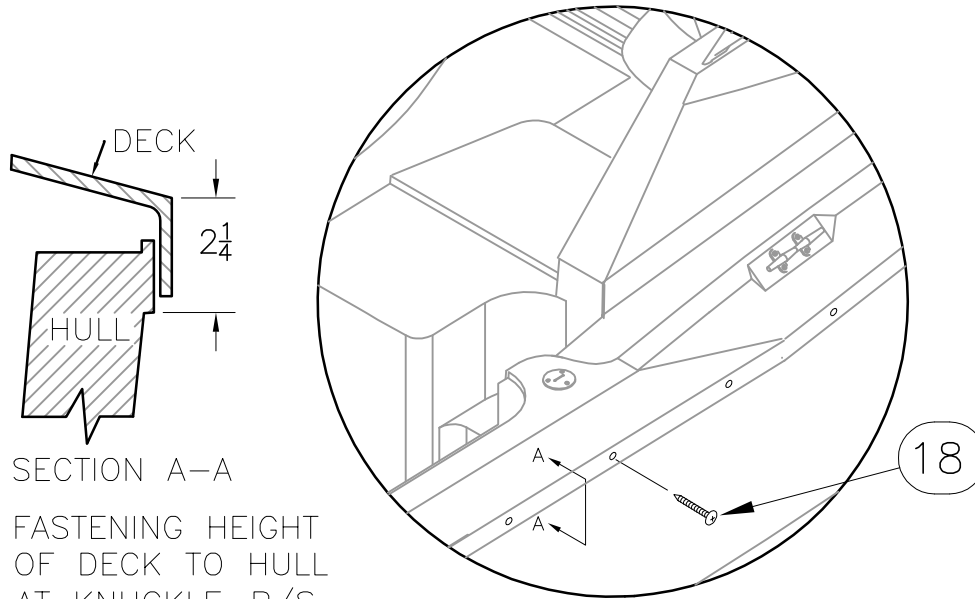
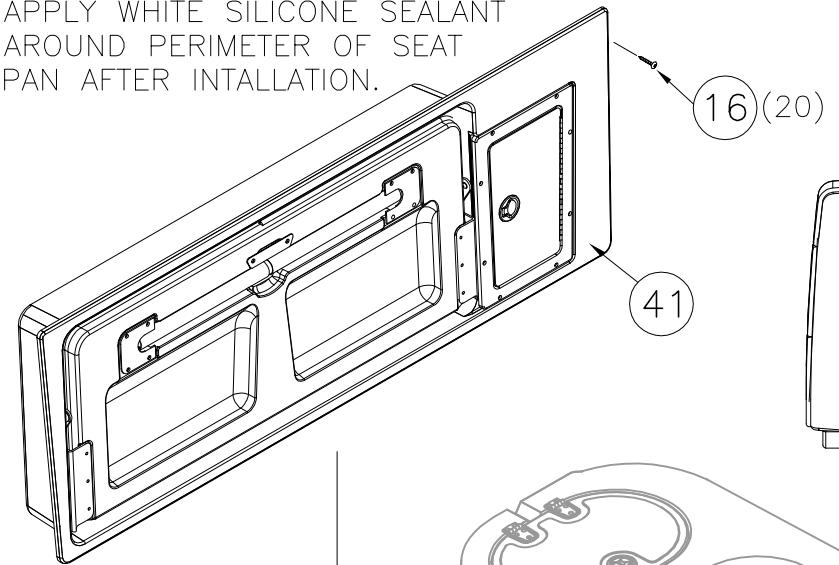
DWG. NO:
11201

REV.
Q

CURRENT ECD
09056008



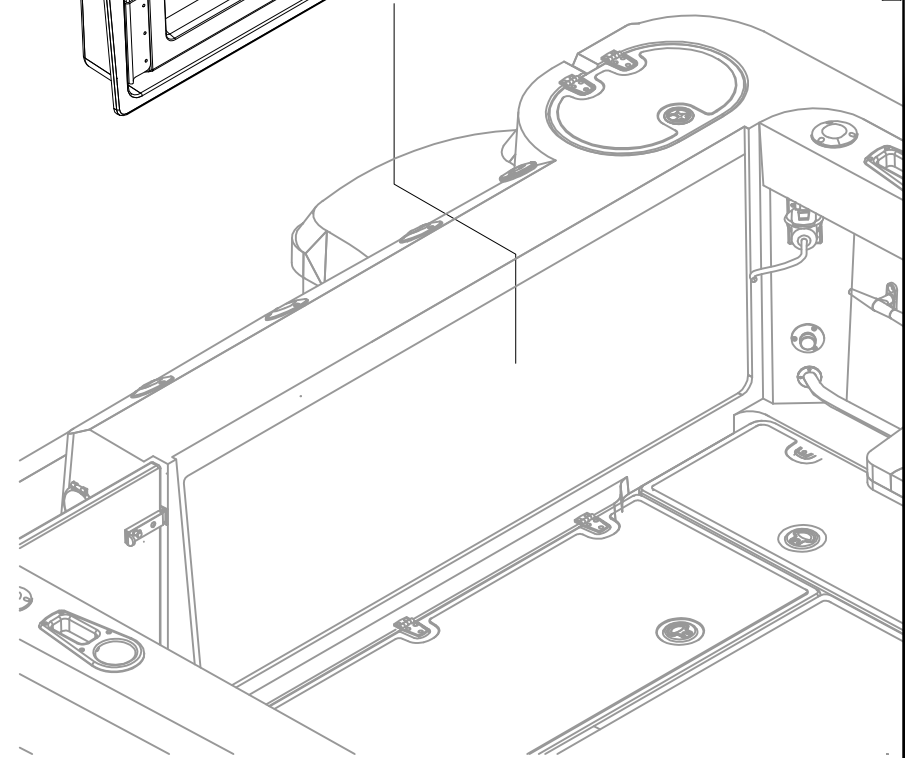
APPLY WHITE SILICONE SEALANT AROUND PERIMETER OF SEAT PAN AFTER INTALLATION.



SECTION A-A

FASTENING HEIGHT OF DECK TO HULL AT KNUCKLE-P/S,

DRILL #5Ø AND COUNTER SINK 6" O.C. 1/2" UP FROM BOTTOM OF DECK FLANGE, CAULK SEAM W/MARINE SEALANT



INTERPRET DIMENSIONS AND TOLERANCES PER ANSI Y 14.5 UNLESS OTHERWISE SPECIFIED DIMENSIONS ARE IN INCHES.
TOLERANCES: ANGLES = ± .5° .XXX = ± .010
.X = ± .1 X = ± 1/16
.XX = ± .03
DO NOT SCALE DRAWING

DRAWN: HAL READ

DATE: 08/29/05

SCALE: NONE

BOAT MODEL

MOLD NO.

285CQ

DWG. TITLE:

FINAL ASSY.

INIT. REL. ECN NO:

DWG. NO:

SHT. NO.

050362

11201

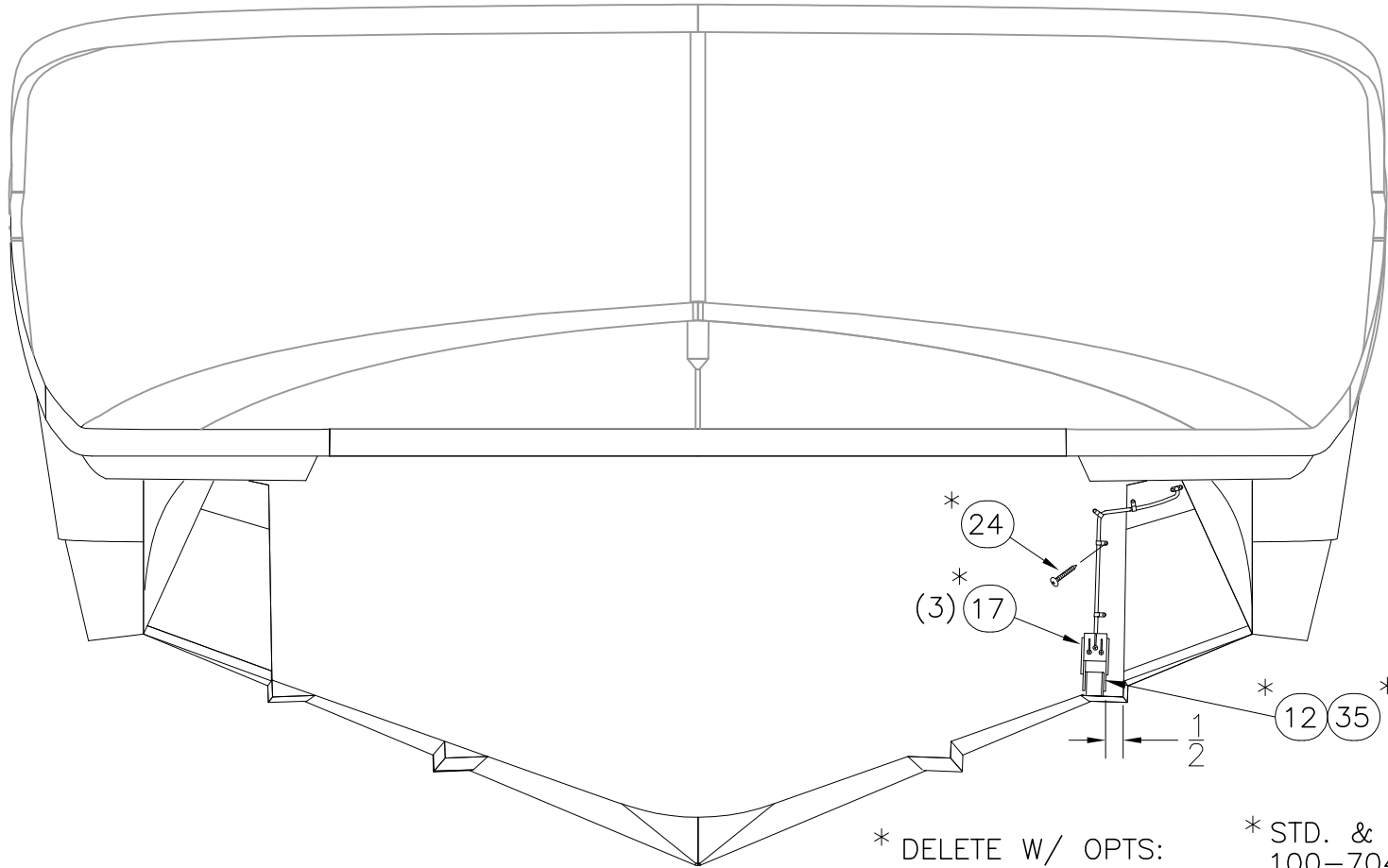
3 OF 7

THIS DOCUMENT IS THE PROPERTY OF BOSTON WHALER, INC. MFG. DEPT., EDGEWATER, FLORIDA. ALL RIGHTS ARE RESERVED. THIS DOCUMENT AND INFORMATION CONTAINED MUST NOT BE COPIED OR DISCLOSED TO OTHERS WITHOUT WRITTEN PERMISSION OF BOSTON WHALER, INC.

DWG. NO:
11201

REV.
Q

CURRENT ECD
09056008



* DELETE W/ OPTS:
020-70405
020-79999

* STD. & OPT:
100-70402

SPEED / TEMP SENSOR INSTALL'N



INTERPRET DIMENSIONS AND TOLERANCES PER ANSI Y 14.5 UNLESS OTHERWISE SPECIFIED DIMENSIONS ARE IN INCHES.
TOLERANCES: ANGLES = ± .5° .XXX = ± .010
.X = ± .1 X = ± 1/16
.XX = ± .03

DO NOT SCALE DRAWING

DRAWN: HAL READ DATE: 08/29/05 SCALE: NONE
DWG. TITLE:
FINAL ASSY.

BOAT MODEL
285CQ
INIT. REL. ECN NO:
050362

MOLD NO.
DWG. NO:
11201

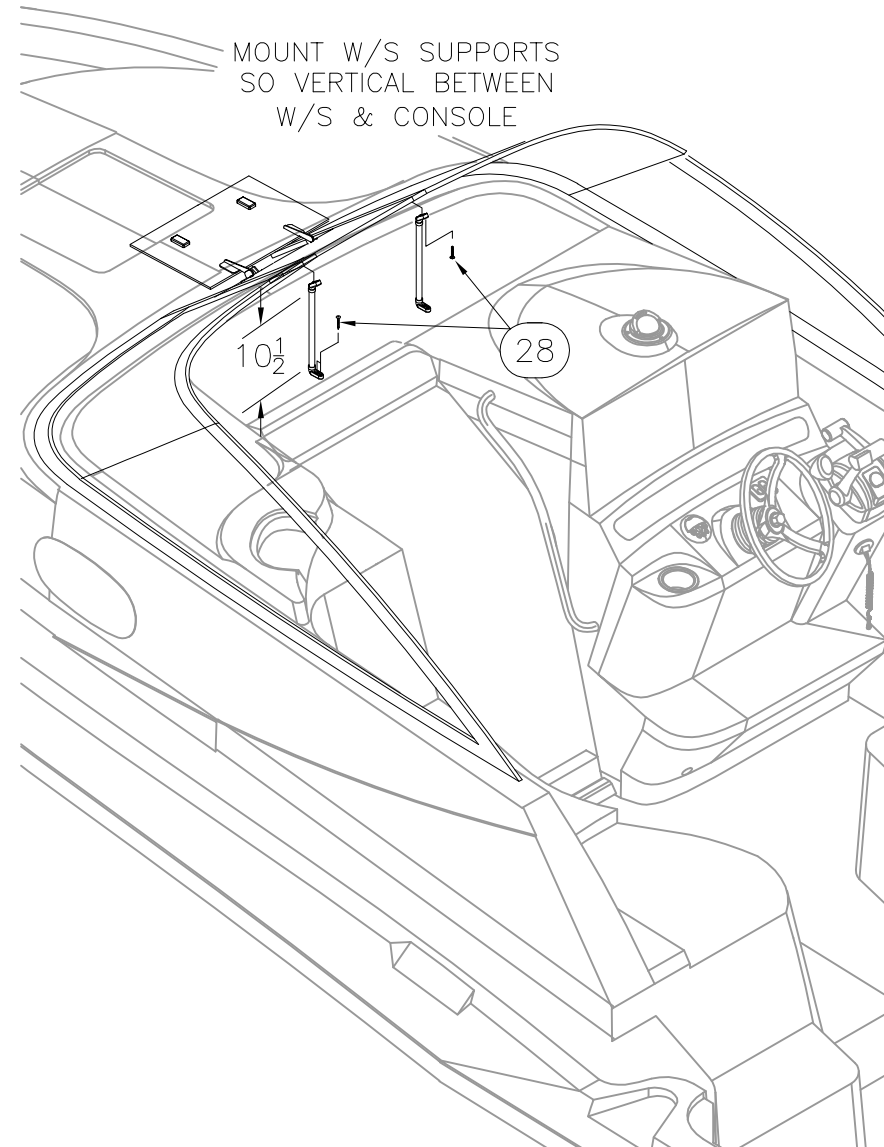
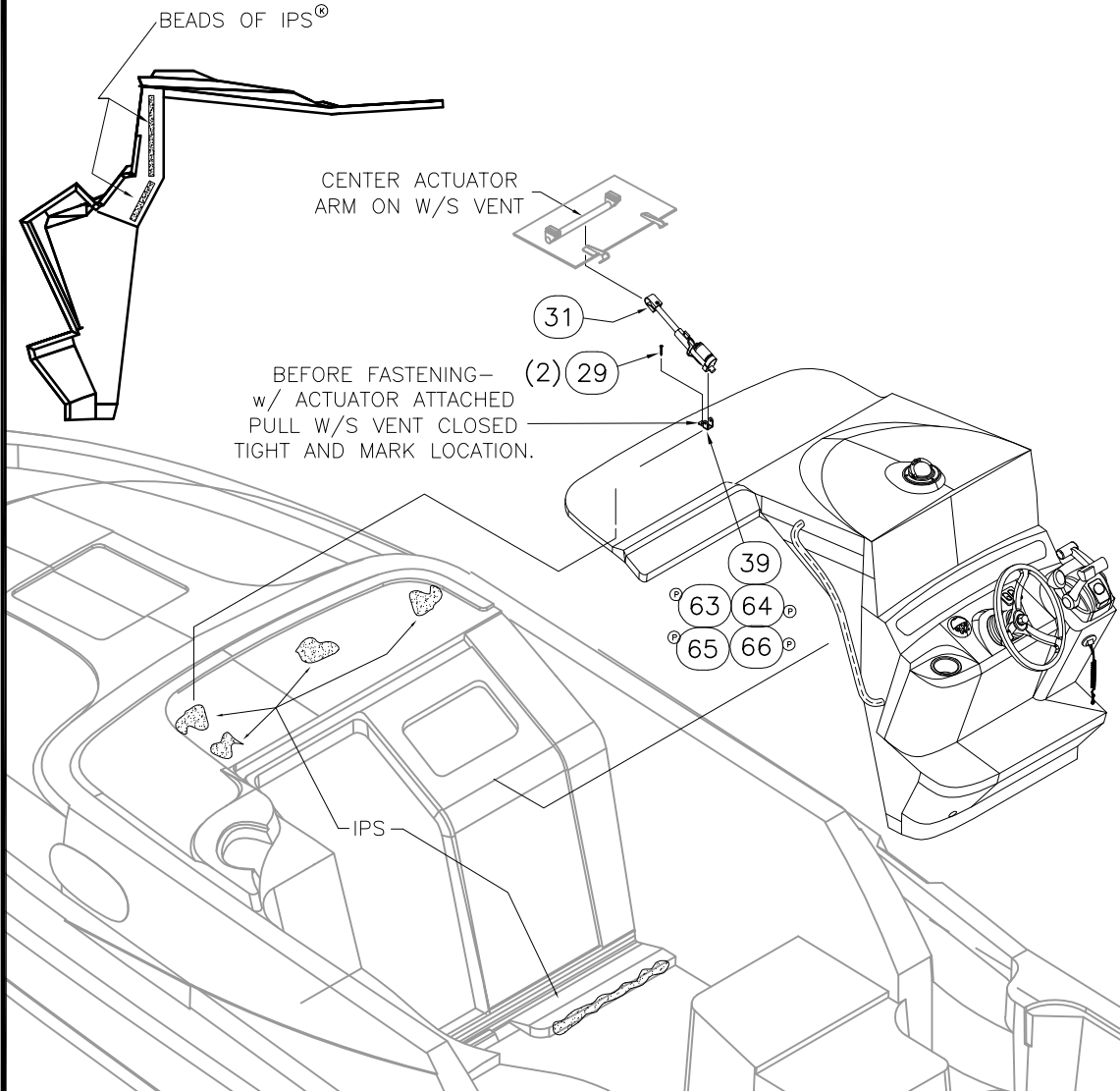
SHT. NO.
4 OF 7

THIS DOCUMENT IS THE PROPERTY OF BOSTON WHALER, INC. MFG. DEPT., EDGEWATER, FLORIDA. ALL RIGHTS ARE RESERVED. THIS DOCUMENT AND INFORMATION CONTAINED MUST NOT BE COPIED OR DISCLOSED TO OTHERS WITHOUT WRITTEN PERMISSION OF BOSTON WHALER, INC.

DWG. NO:
11201

REV.
Q

CURRENT ECD
09056008



INTERPRET DIMENSIONS AND TOLERANCES PER ANSI Y 14.5 UNLESS OTHERWISE SPECIFIED DIMENSIONS ARE IN INCHES.
 TOLERANCES: ANGLES = ± .5° .XXX = ± .010
 .X = ± .1 X = ± 1/16
 .XX = ± .03
 DO NOT SCALE DRAWING

DRAWN: HAL READ DATE: 08/29/05 SCALE: NONE
 DWG. TITLE: FINAL ASSY.

BOAT MODEL: 285CQ
 INIT. REL. ECN NO: 050362

MOLD NO.
 DWG. NO: 11201

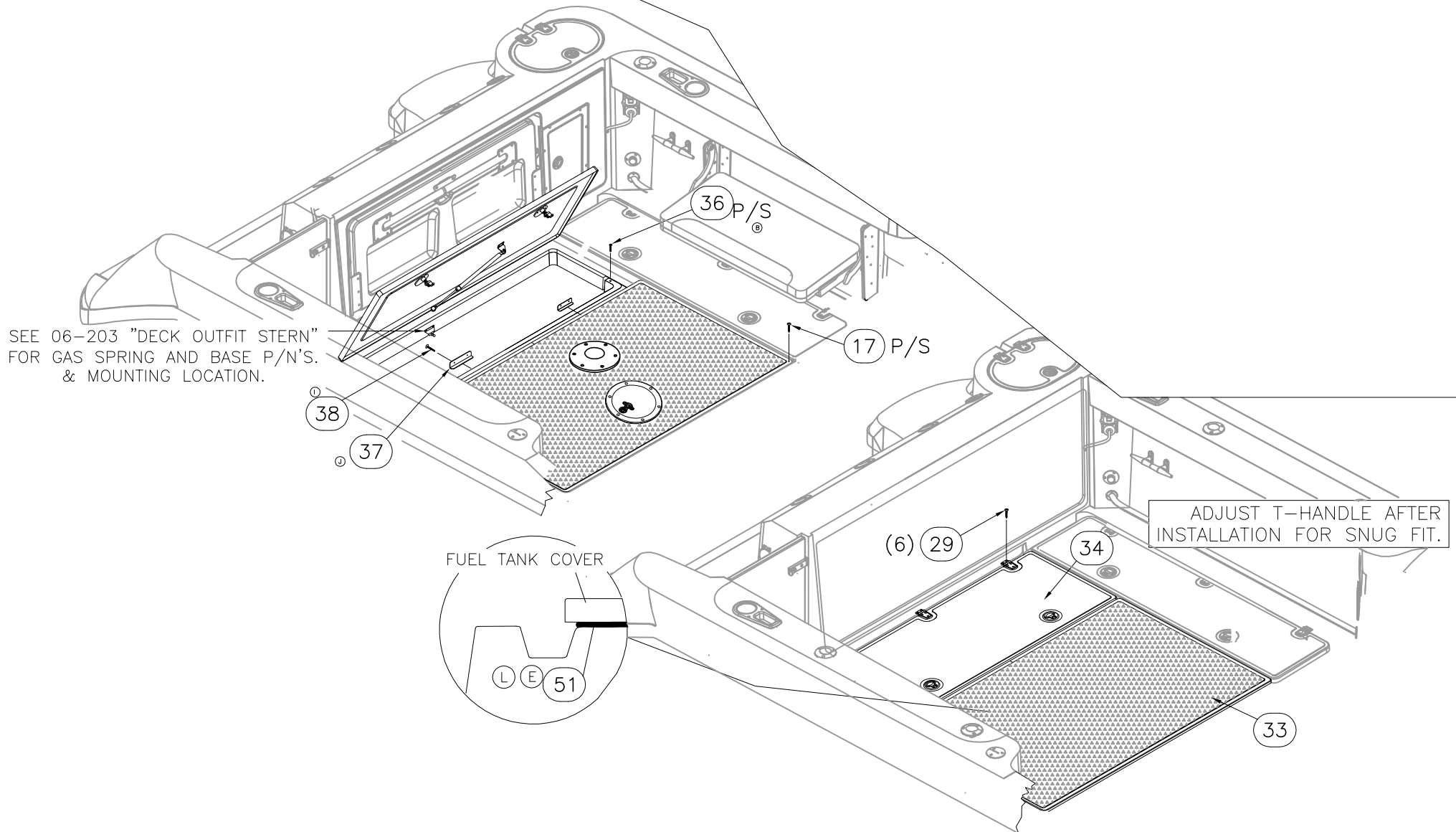
SHT. NO. 5 OF 7

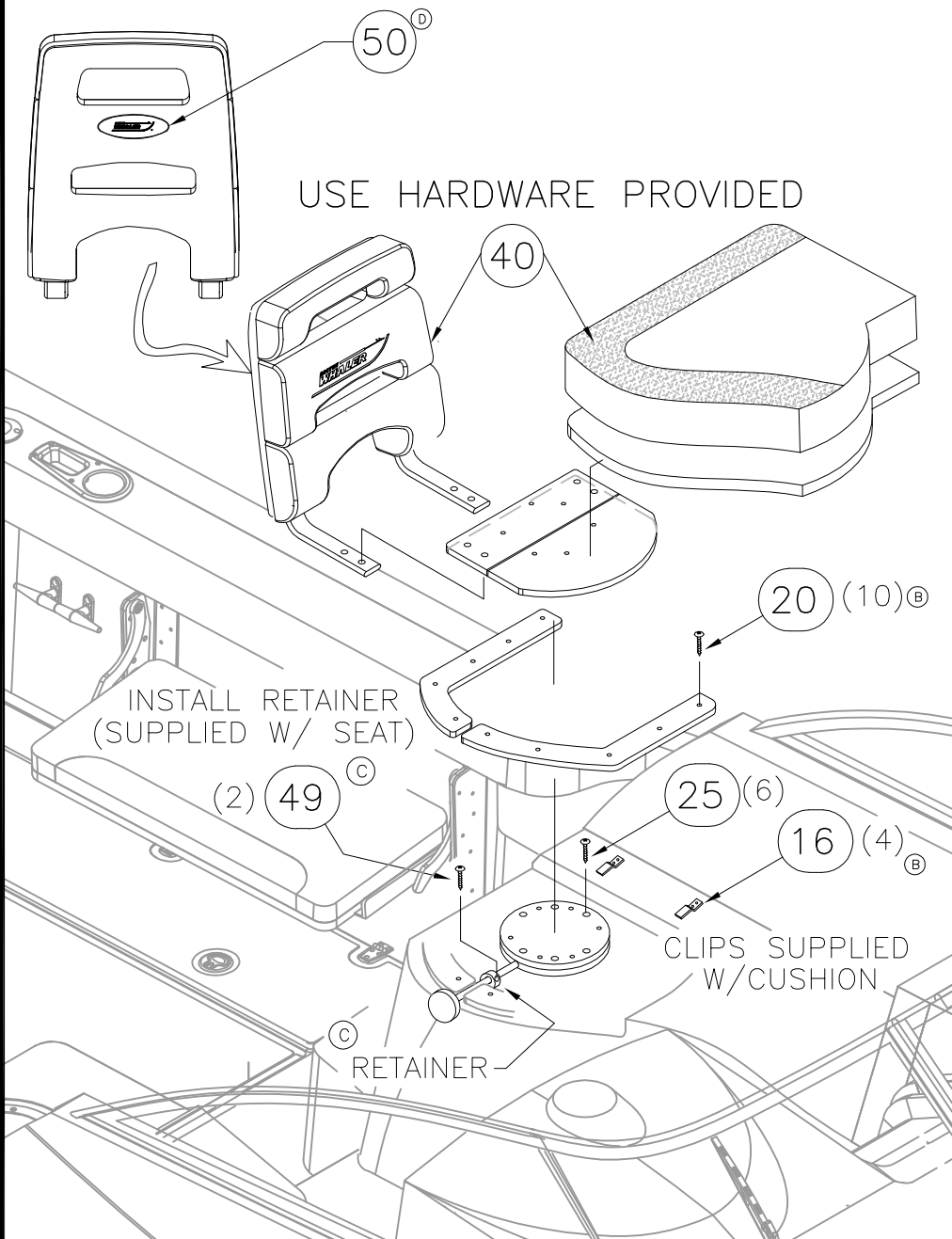
THIS DOCUMENT IS THE PROPERTY OF BOSTON WHALER, INC. MFG. DEPT., EDGEWATER, FLORIDA. ALL RIGHTS ARE RESERVED. THIS DOCUMENT AND INFORMATION CONTAINED MUST NOT BE COPIED OR DISCLOSED TO OTHERS WITHOUT WRITTEN PERMISSION OF BOSTON WHALER, INC.

DWG. NO:
11201

REV.
Q

CURRENT ECD
09056008





PARTS LIST

ITEM	QTY.	STD.	OPT.	U/M	DESCRIPTION	BWI NO.
01	1	-	-	EA.	CAP, BW305CQ-04 RUB RAIL END PRT SS	1757792
02	1	-	-	EA.	CAP, BW305CQ-04 RUB RAIL END STB SS	1756355
03	1	-	-	EA.	CAP, BW285CQ-06 RUB RAIL TRNSM TRIM BLK	1812624
04	2	-	-	EA.	INSERT, RUB RAIL CHAR FLEX 28.5'	1646108
05	2	-	-	EA.	RUBRAIL, PLASTIC CHAR 28.5'	1645415
06	2	-	-	EA.	EYE, BOW 5/8"X 4" SS	1319664
07	2	-	-	EA.	PLATE, BW-97 B/U U-BOLT	1058999
08	4	-	-	EA.	WASHER, LOCK/SPLIT 5/8" SC	1259589
09	4	-	-	EA.	NUT, ACORN #5/8-11 SC	1062942
10	2	-	-	EA.	THRU-HULL, MARELON BW-06 SHORT FEMALE	1806032
11	2	-	-	EA.	THRU-HULL, MARELON BW-06 LONG MALE	1806030
12	1	-	-	EA.	ACC PART, MERC SPEEDOMETER/TEMP DIG	1477942
13	1	-	1	EA.	BOLSTER, BW285CQ-06 CKPT PRT AFT	1808839
14	1	-	1	EA.	BOLSTER, BW285CQ-06 CKPT STB	1808841
15	1	-	-	EA.	CUSH, BW285CQ-06 STERN SEAT B/R	1808850
16	30	-	-	EA.	SCREW, TAPPING #10A X 1" PTH SC	1008739
17	7	-	-	EA.	SCREW, TAPPING #10A X 2" PTH SC	1008754
18	125	-	-	EA.	SCREW, TAP #10A X 1.25" W/STP EPXY ORNG PFH SC	1814516
19	150	-	-	EA.	SCREW, TAP #10A X 1.5" W/STP EPXY ORNG PFH SC	1814515
20	32	-	-	EA.	SCREW, TAPPING #8A X 3/4" PFH SC	1008408
21	12	-	5	EA.	WASHER, FENDER 1/4"X 1.25" SC	1260678
22	12	-	5	EA.	NUT, HEX #1/4-20 SC	1260694
23	2	-	-	EA.	SCREW, TAPPING #10A X 2" POH SC	1261163
24	2	-	-	EA.	SCREW, TAPPING #8A X 1" PTH SC	1008804
25	6	-	-	EA.	SCREW, MACHINE #1/4-20 X 1.5" PFH SC	1215052
26	5	-	1	EA.	SNAP STUD, W/#8 X 3/8" PH BR/NI/SS	0203786
27	12	-	5	EA.	WASHER, LOCK/SPLIT 1/4" SC	1260595
28	8	-	-	EA.	SCREW, TAPPING #8A X 3/4" PPH SC	1010651
29	8	-	-	EA.	SCREW, TAPPING #10A X 1" POH SC	1008507
30	4	-	-	EA.	SCREW, TAPPING #4A X 1" PPH SC	1010636
31	1	-	-	EA.	ACTUATOR, ELEC W/S VENT 4"8P CE	1974871
32	1	-	-	EA.	COVER, ABS W/S VENT ACTUATOR SEAFOAM	1472166
33	1	-	-	EA.	FUEL TANK COVER SUB-ASSY	09-301
34	1	-	-	EA.	MECH ACCESS COVER SUB-ASSY	09-435
35	1	-	-	EA.	ACC PART, MERC DEP FINDER/TRANSDUCER TRNS MNT	1738329
36	2	-	-	EA.	SCREW, TAPPING #10A X 2" POH SC	1261163
37	2	-	-	EA.	FRAME, BW-08 EDGE GUARD SS	1887724
38	4	-	-	EA.	SCREW, TAPPING #8A X 5/8" PPH TEK SC W/EPXY	1893323
39	1	-	-	EA.	BRACKET, SS W/S ACTUATOR MNT #14-333	1949288
40	1	-	-	EA.	CUSH, BW285CQ-06 SWIVEL SEAT ASSY	1815805
41	1	-	-	EA.	STERN SEAT ASSEMBLY	09-409
42	-	-	10	EA.	SCREW, TAPPING #8A X 3/4" PFH SC	1008408
43	1	-	-	EA.	CUSH, BW285CQ-06 PASS SEAT BASE	1808851
44	-	-	1	EA.	BOLSTER, BW285CQ-10 CKPT PRT AFT HINGED	1977056
45	-	-	1	EA.	BOLSTER, BW285CQ-10 CKPT PRT AFT CRNR	1977055
46	-	-	1	EA.	BOLSTER, BW285CQ-10 CKPT STB	1977082
47	-	-	1	EA.	CAP, BW285CQ-06 RUB RAIL TRNSM N/NOTCH	1818734
48	1	-	-	EA.	CUSH, BW285CQ-06 B/R L-SEAT	1819467
49	2	-	-	EA.	SCREW, TAPPING #6A X 1" PPH SC	1184548
50	1	-	-	EA.	DECAL, BW LOGO 5.75" BLK/CHR (DRIP MOLD)	1745888
51	15	-	-	FT.	GASKET, AQUA BLOCK 1/4"X 1/2"X 22"	1819216
52	-	-	1	EA.	POST, TBL LEG FLUTED TPR 2.25"DIA	1878023
53	-	-	1	EA.	BASE, TBL FLUSH MNT ALUM TPR SOCKET 2.25"DIA	1878021
54	-	-	6	EA.	SCREW, TAPPING #14A X 1.5" PFH SC	1008382
55	-	-	1	EA.	COCKPIT TABLE SUB-ASSEMBLY	09-433
56	-	-	1	EA.	CAP, PLAS TBL FLUSH BASE 2.25"	1878024
57	2	-	-	EA.	EYE, BOW 5/8"X 4"SS (NEW)	1961748
58	4	-	-	EA.	NUT, HEX #5/8-11 SC	1961534
59	2	-	-	EA.	WASHER, FENDER #10 X 1" SC	1260454
60	2	-	-	EA.	WASHER, STAR #10 SS	0768465
61	2	-	-	EA.	NUT, HEX #10-24 SC	1259506
62	-	-	1	EA.	VENT, LOUVERED ABS BW345CQ-08	1885019
63	-	-	1	EA.	FITTING, WATER TIGHT OUTLET FOR 5/16" CBL	0122853
64	-	-	1	EA.	SCREW, CAP #3/8-16 X 1.5" HEX HD SC	1742745
65	2	-	-	EA.	WASHER, FLAT #3/8" SC	1260793
66	-	-	1	EA.	VENT, LOUVERED ABS BW345CQ-08	1007798

THIS DOCUMENT IS THE PROPERTY OF BOSTON WHALER, INC. MFG. DEPT., EDGEWATER, FLORIDA. ALL RIGHTS ARE RESERVED. THIS DOCUMENT AND INFORMATION CONTAINED MUST NOT BE COPIED OR DISCLOSED TO OTHERS WITHOUT WRITTEN PERMISSION OF BOSTON WHALER, INC.

DWG. NO:
11101

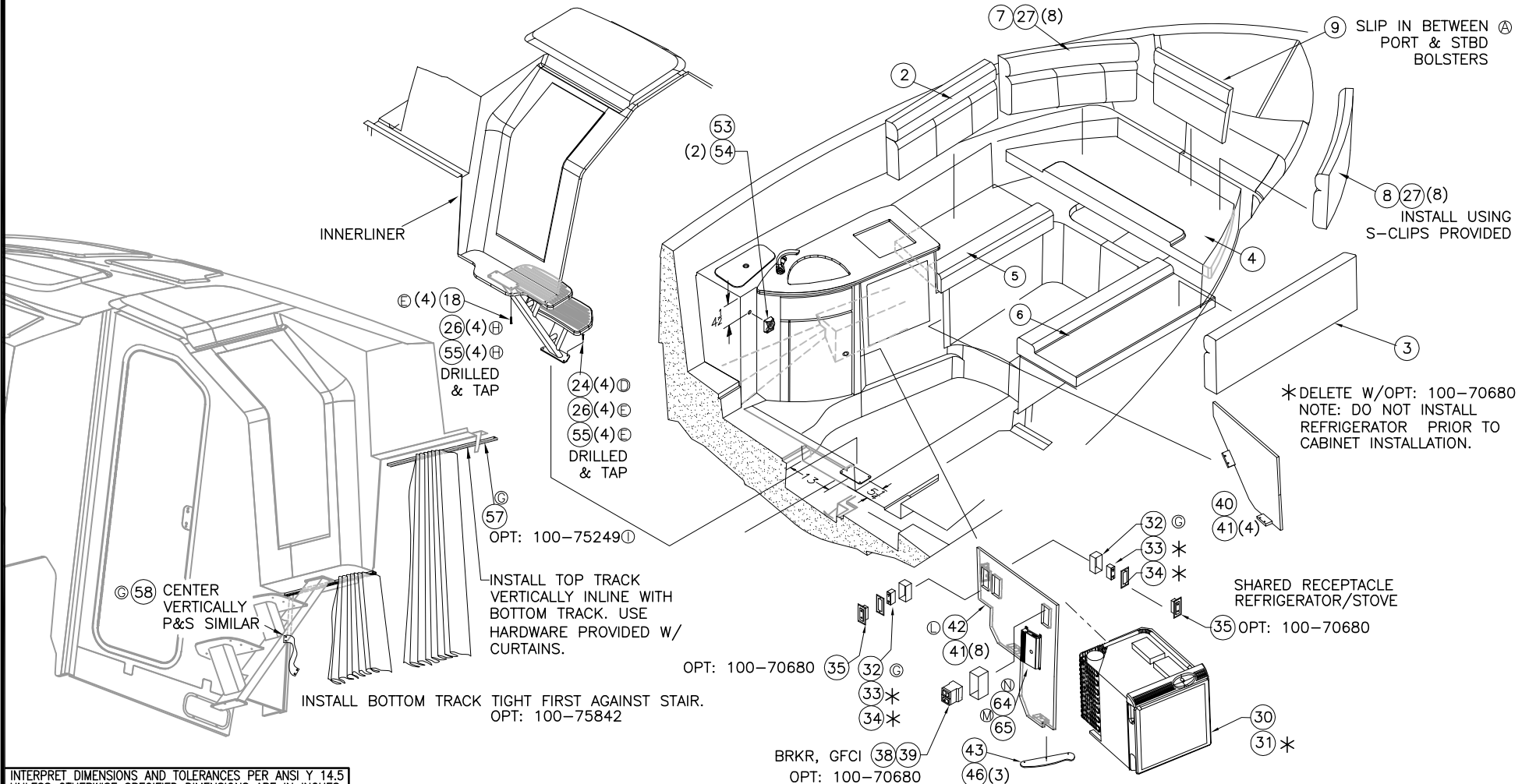
REV.
N

CURRENT ECD
10046812

REVISIONS

REV.	DESCR.	BY	DATE	APPVD.	ECN NO.
K	CHANGE UNIT OF MEASURE ITEM 63, SHEET 3	SLJ	04/26/07	AVM	07044282
L	#11 WAS 1690555, UPDATE #42 DWG.	HJR	09/04/07	AVM	07074431
M	ADDED PT# 1955118 & 1213115 TO DWG	TJ	9/3/08	AF	08085430
N	MYE "11", ITEM #64 WAS PN# 1955118	SLJ	05/19/10	TCM	10046812

NOTES:
1. SEE DWG. 09651 FOR V-BERTH SUB-ASSY.



INTERPRET DIMENSIONS AND TOLERANCES PER ANSI Y 14.5 UNLESS OTHERWISE SPECIFIED DIMENSIONS ARE IN INCHES.
TOLERANCES: ANGLES = ± .5° .XXX = ± .010
.X = ± .1 .XX = ± .03 X = ± 1/16
DO NOT SCALE DRAWING



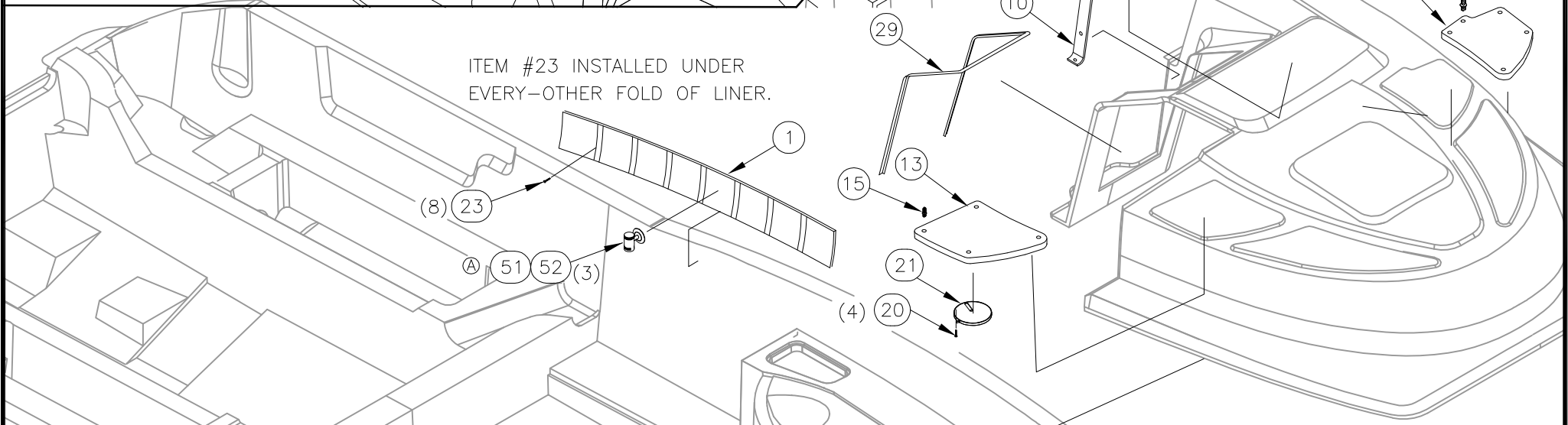
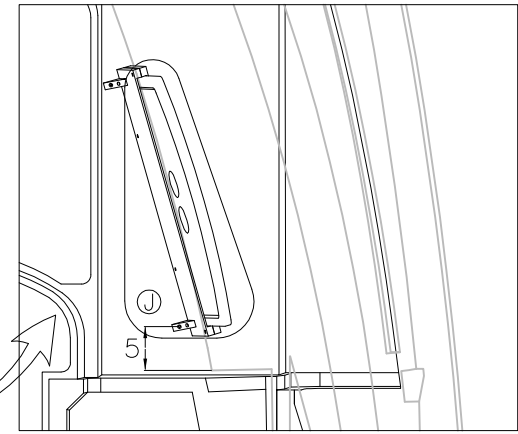
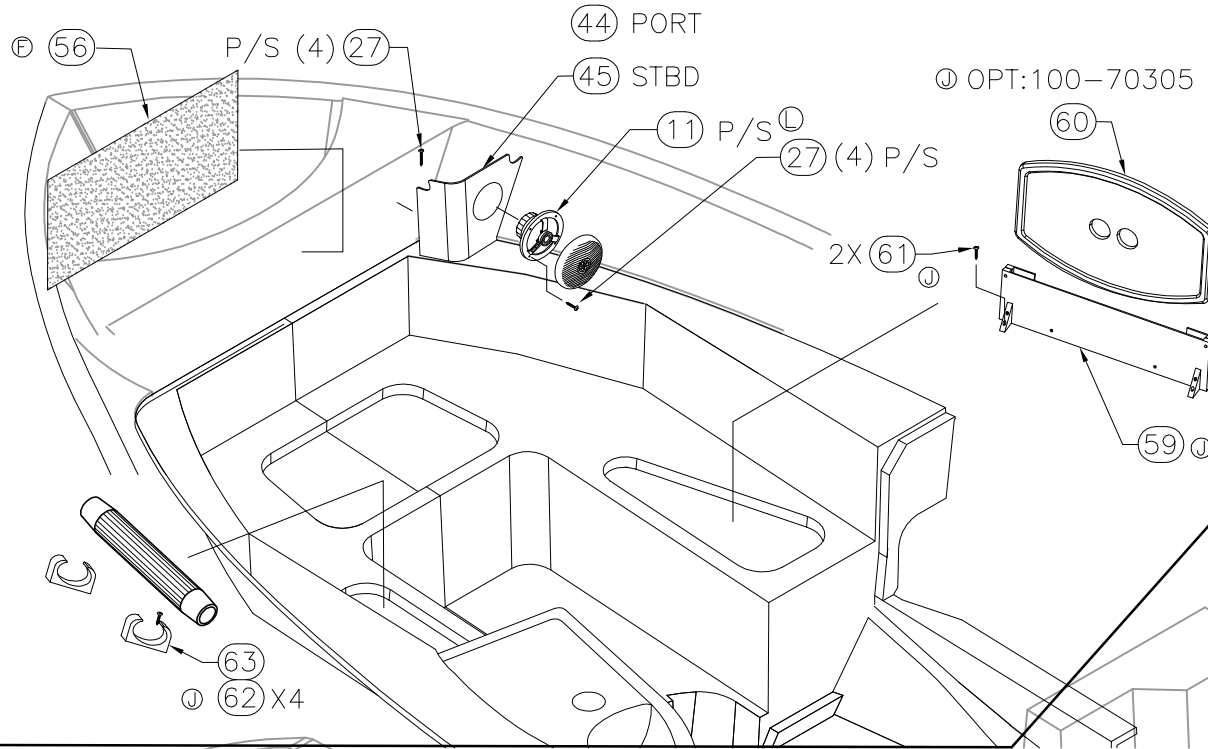
CHECKED: A. DALE	DATE: 11/16/05	DRAWN: HAL READ	DATE: 9/28/05	SCALE: NONE	BOAT MODEL: 285CQ	MOLD NO.
APPD: KR	DATE: 11/17/05	DWG. TITLE: FINAL ASSEMBLY, INTERIOR		INIT. REL. ECN NO: 050362	DWG. NO: 11101	SHT. NO. 1 OF 3
DESIGN: VPK	DATE: 11/17/05					
INT. ENG: MG	DATE: 11/17/05					

THIS DOCUMENT IS THE PROPERTY OF BOSTON WHALER, INC. MFG. DEPT., EDGEWATER, FLORIDA. ALL RIGHTS ARE RESERVED. THIS DOCUMENT AND INFORMATION CONTAINED MUST NOT BE COPIED OR DISCLOSED TO OTHERS WITHOUT WRITTEN PERMISSION OF BOSTON WHALER, INC.

DWG. NO:
11101

REV.
N

CURRENT ECD
10046812



ITEM #23 INSTALLED UNDER EVERY-OTHER FOLD OF LINER.

THIS DOCUMENT IS THE PROPERTY OF BOSTON WHALER, INC. MFG. DEPT. EDgewater, Florida. ALL RIGHTS ARE RESERVED. THIS DOCUMENT AND INFORMATION CONTAINED MUST NOT BE COPIED OR DISCLOSED TO OTHERS WITHOUT WRITTEN PERMISSION OF BOSTON WHALER, INC.

DWG. NO: 11101
 REV. N
 CURRENT ECD 10046812

Parts List				
ITEM	QTY	U/M	DESCRIPTION	B.W.I. NO.
1	1	EA.	CUSH, BW285CQ-06 VAL PRT MIDCBN	1812233
2	1	EA.	CUSH, BW285CQ-06 B/R VBRTH PRT AFT	1808834
3	1	EA.	CUSH, BW285CQ-06 B/R VBRTH STB AFT	1808835
4	1	EA.	CUSH, BW285CQ-06 VBRTH CTR	1808833
5	1	EA.	CUSH, BW285CQ-06 VBRTH PRT	1808628
6	1	EA.	CUSH, BW285CQ-06 VBRTH STB	1808629
7	1	EA.	BOLSTER, BW285CQ-06 VBRTH PRT	1808853
8	1	EA.	BOLSTER, BW285CQ-06 VBRTH STB	1808854
9	1	EA.	BOLSTER, BW285CQ-06 VBRTH CTR	1816969
10	1	EA.	CUSH, BW285CQ-06 HEADLINER MIDCABIN ENTR TRIM	1811824
11	2	EA.	SPEAKER, JL 6.5" COAXIAL INT	1891258
12	1	EA.	CUSH, BW285CQ-06 HEADLINER PRT FWD	1811827
13	1	EA.	CUSH, BW285CQ-06 HEADLINER STB FWD	1811828
14	1	EA.	CUSH, BW285CQ-06 HEADLINER COMPWY ENTRY	1811829
15	22	EA.	CLIP, XMAS TREE	0188391
16	1	EA.	FIBERGLASS PART, DINETTE TABLE	22K27100
17	1	EA.	POST, POWER RISE TBL BASE 14.5" - 29.5" GAS	1746223
18	4	EA.	SCREW, MACHINE #1/4-20 X 1" PFH SC	1009950
19	6	EA.	SCREW, MACHINE #1/4-20 X 2" PFH SC	1235308
20	8	EA.	SCREW, TAPPING #6A X 3/4" PTH SC	1010917
21	2	EA.	LIGHT, DOME INTERIOR 5.75" WHT SURF MNT	1131572
22	20	FT.	TRIM-SEAL, #X1333BT SELF-ADH BLK	1232156
23	8	EA.	SCREW, TAPPING #8A X 1.25" PTH SC	1130053
24	4	EA.	SCREW, MACHINE #1/4-20 X 2" PPH SC	1008614
25	4	EA.	NUT, HEX NYLON LOCK #1/4-20 SC	1007764
26	8	EA.	WASHER, FLAT #1/4" SC	1260769
27	30	EA.	SCREW, TAPPING #10A x 3/4 PTH SC	1008762
28	1	EA.	FRAME, BW285CQ-06 COMPWY STAIRS	1814158
29	1	EA.	TRIM, PVC BW285CQ-06 COMPWY	1812625
30	1	EA.	REFRIGERATOR, 2.0 CF AC/DC 220/50	0779462
31	1	EA.	REFRIGERATOR, 2.7 CF	1658368
32	2	EA.	BOX, RECEPTACLE BOX ONLY	0145128
33	2	EA.	RECEPTACLE, DUPLEX WHT 15A	0324038
34	2	EA.	COVER PLATE, SGL DUPLEX RECEPT WHT	0258384
35	2	EA.	RECEPTACLE, GERMAN STD MOS WHT(SNAP CVR) LVT	1787551
36	2	EA.	COVER PLATE, WALL 2-MODULE MOSAIC WHT(SNAPON)	1477512
37	2	EA.	FRAME, US STYLE (MOAIC) (SNAPON COVER)	1477504
38	1	EA.	BRKR, 8000-SERIES 2P EURO GFCI	0975052
39	1	EA.	BOX, 8000-SERIES 2MOD SURF MNT WEATHERPROOF	0975060
40	1	EA.	BLKHD, HDPE BW285CQ-06 FWD GLY CLOSEOUT	1814599
41	12	EA.	SCREW, TAPPING #14A X 1.5" PTH SC	1010909
42	1	EA.	BLKHD, HDPE BW285CQ-06 AFT GLY CLOSEOUT	1814597
43	1	EA.	BLKHD, HDPE BW285CQ-06 LWR GLY CLOSEOUT	1814598
44	1	EA.	CUSH, BW285CQ-06 SPKR BLKHD PRT	1815421
45	1	EA.	CUSH, BW285CQ-06 SPKR BLKHD STB	1815422
46	3	EA.	SCREW, TAPPING #14A X 1" PFH SC	1008366
47	1	EA.	TEAK, P/C BW285CQ-06 STEP COMP BTM	1815426
48	1	EA.	TEAK, P/C BW285CQ-06 STEP COMP TOP	1815425
49	1	EA.	INSERT, CORIAN BW285CQ-06 DIN TBL	1818380
50	12	EA.	SCREW, TAPPING #8A X 5/8" PTH SC	1010925
51	1	EA.	LIGHT, SWIVEL BULLET W/SW BEIGE	1131580
52	3	EA.	SCREW, TAPPING #4A X 1" PFH SC	1010321
53	1	EA.	MONITOR, CO DETECTOR WHT CMD-4	1781228
54	2	EA.	SCREW, TAPPING #8A X 5/8" PTH SC	1010925
55	8	EA.	WASHER, LOCK/SPLIT 1/4" SC	1260595
56	1	EA.	CUSH, BW285CQ-06 HEADLINER ANCHOR BLKHD	1831530
57	1	EA.	CURTAIN, BW285CQ-06 MIDBRTH PRIVACY	1810636
58	4	EA.	SNAP STUD, W/#8 X 3/8" PH BR/NI/SS	0203786
59	1	EA.	HOLDER, HDPE BW285CQ-07 CKPT TBL	1847988
60	1	EA.	COCKPIT TABLE SUB ASSY.	09-433
61	2	EA.	SCREW, TAPPING #10A X 1.5" PPH SC	1010610
62	4	EA.	SCREW, TAPPING #8A X 1.25" PPH SC	1010644
63	1	PR.	BRACKET, TBL LEG CKPT TBL 2.25"DIA	1878025
64	1	EA.	STEREO, AMP JL 400W 4/3/2-CH CLASS D PWR AMP	2018792
65	4	EA.	SCREW, TAPPING #8A X 1" PPH SC	1213115

(L)
 (C)
 (C)
 (C)
 (C)
 (B)
 (A)
 (E)(A)
 (C)
 (G)
 (B)
 (B)
 (B)
 (C)
 (C)
 (C)
 (C)
 (A)
 (A)
 (D)
 (D)
 (H)(E)
 (F)
 (G)
 (J)
 (J)
 (J)
 (J)
 (X)(J)
 (N)(M)
 (M)

MOLD NO. _____

BOAT MODEL **285CQ**

INIT. REL. ECN NO: **050362**

DWG. NO: **11101**

SCALE: **NONE**

DATE: **09/27/05**

DRAWN: **HAL READ**

DWG. TITLE: **FINAL ASSEMBLY, INTERIOR**

INTERPRET DIMENSIONS AND TOLERANCES PER ANSI Y 14.5 UNLESS OTHERWISE SPECIFIED DIMENSIONS ARE IN INCHES.

TOLERANCES: ANGLES = ± .5° .XXX = ± .010
 .X = ± .1 X = ± 1/16
 .XX = ± .03 X = ± .015

DO NOT SCALE DRAWING

BOSTON **WHALE**®
 PRODUCT DEV. & MFG. ENGINEERING GROUP

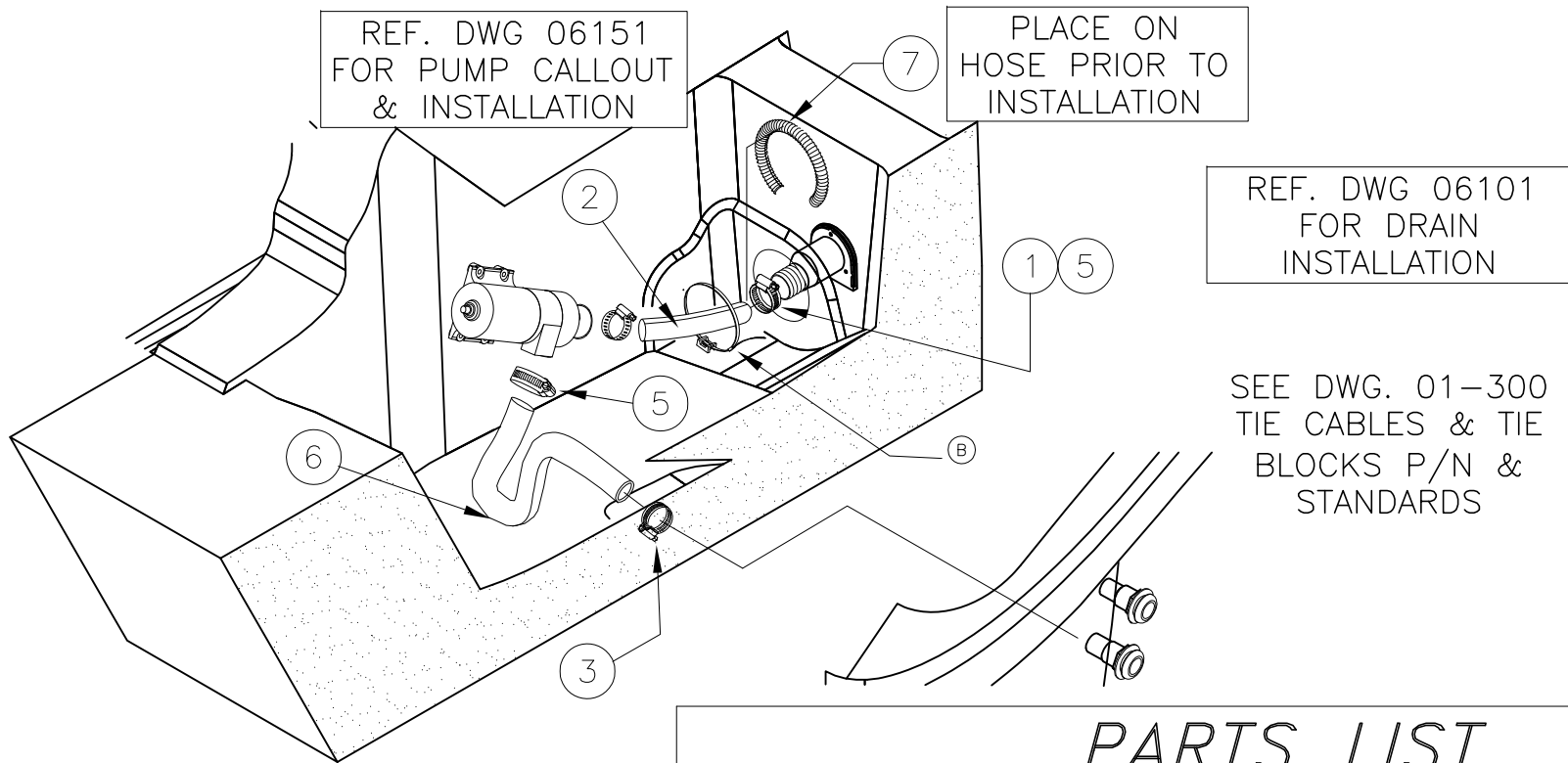
SHT. NO. **3** OF **3**

THIS DOCUMENT IS THE PROPERTY OF BOSTON WHALER, INC. MFG. DEPT., EDGEWATER, FLORIDA. ALL RIGHTS ARE RESERVED. THIS DOCUMENT AND INFORMATION CONTAINED MUST NOT BE COPIED OR DISCLOSED TO OTHERS WITHOUT WRITTEN PERMISSION OF BOSTON WHALER, INC.

DWG. NO: 06152	REV. B	CURRENT ECD 08065289
-------------------	-----------	-------------------------

1. ALL FASTENINGS INTO THE HULL MUST BE SEALED WITH MARINE ADHESIVE SEATED FLUSH AND HAVE NO BURRS.
2. USE DRILLING FIXTURES (SEE DWG. LIST 01-201)
3. REFER TO DWG. 01-251 FOR ALL HOSE LENGTHS.
4. REFER TO 06-101 FOR ALL THRU-HULLS AND DRAIN LOCATIONS.
5. SEE DWG. 01-300 FOR TIE CABLES & TIE BLOCKS P/N & STANDARDS.

REVISIONS					
REV.	DESCR.	BY	DATE	APPVD.	ECN NO.
A	CHANGED PN# & DESCRIPTION ITEM 04. WAS 1010925	SLJ	03/21/07	RA	07034030
B	REMOVE ITEMS 4,8,&9 AND ADD NOTES TO REFER DWG. 01-300	JF	06/09/08	AF	08065289



STBD AFT ISO-VIEW
CORNER SECTION REMOVED FOR CLARITY

PARTS LIST

ITEM	QTY.	U/M	DESCRIPTION	B.W.I.
01	4	EA.	CLAMP, HOSE #24 1"-2" SS .505	0256693
02	0	FT.	HOSE, SANI 1.5" BLK PVC 149 SER	1746048
03	4	EA.	CLAMP, HOSE #12 1/2"-1.25" SS .505	0256677
(B)(A) 04	2	EA.	SCREW, TAPPING #8A X 5/8" PPH TEK SC W/EPXY	1893323
05	8	EA.	COVER, CLAMP END PROT 1/2"L X .045"X .465"RED	0830968
06	0	FT.	HOSE, GEN PURPOSE 1"	0196667
07	2	FT.	HOSE, CONDUIT/SPLIT 1/2" FLAME RETARDANT	1501782
(B) 08	2	EA.	TIE, CABLE 6" LG NYLON BLK	0999672
(B) 09	2	EA.	TIE, CLIP BLK	1031764

INTERPRET DIMENSIONS AND TOLERANCES PER ANSI Y 14.5 UNLESS OTHERWISE SPECIFIED DIMENSIONS ARE IN INCHES.
TOLERANCES: ANGLES = ± .5° .XXX = ± .010
.X = ± .1 .XX = ± .03
X = ± 1/16
DO NOT SCALE DRAWING



CHECKED: R. AVILA	DATE: 7/28/05	DRAWN: M.ZAFFUTO	DATE: 07/15/05	SCALE: NONE	BOAT MODEL 285CQ	MOLD NO.	
APPD: K. RANIERI	DATE: 7/28/05	DWG. TITLE: FISHBOX PUMPOUT INSTALLATION			INIT. REL. ECN NO: 050362	DWG. NO: 06152	SHT. NO. 1 of 1
DESIGN: V. KNIGHT	DATE: 7/28/05						
INT. ENG: M. GATICA	DATE: 11/21/05						

THIS DOCUMENT IS THE PROPERTY OF BOSTON WHALER, INC. MFG. DEPT., EDGEWATER, FLORIDA. ALL RIGHTS ARE RESERVED. THIS DOCUMENT AND INFORMATION CONTAINED MUST NOT BE COPIED OR DISCLOSED TO OTHERS WITHOUT WRITTEN PERMISSION OF BOSTON WHALER, INC.

DWG. NO:
09401

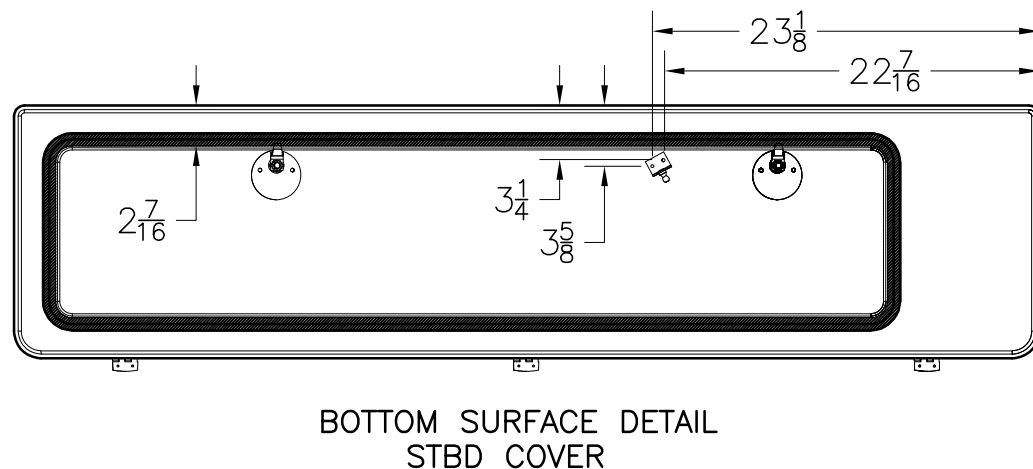
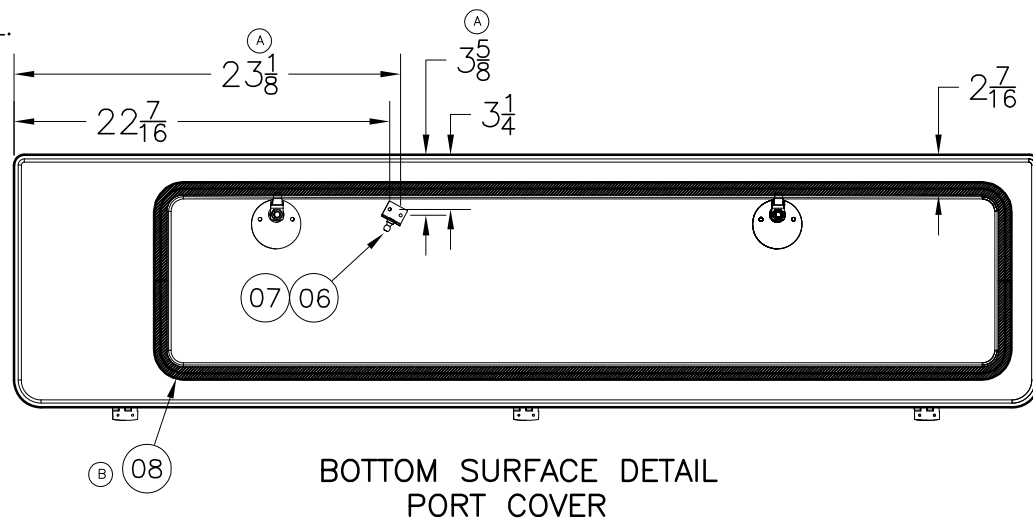
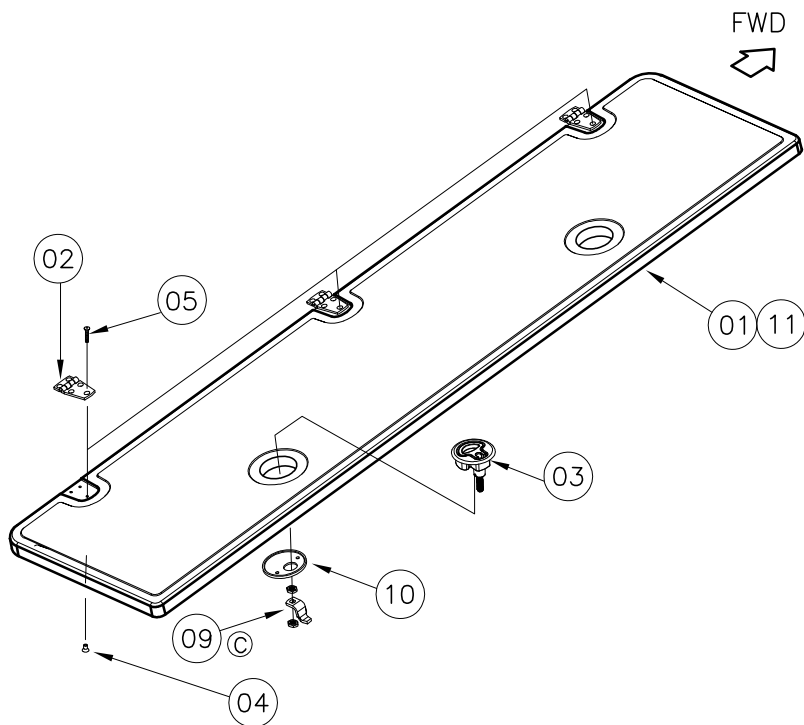
REV.
C

CURRENT ECD
050362

NOTES:

1. ALL FASTENERS SHALL BE SEALED AT INSTALLATION USING WHITE SILICONE SEALANT. BARREL NUTS SHALL BE SMOOTHED OVER AFTER EACH HINGE SCREW IS INSTALLED.
2. REFER TO DWG. 16105 FOR CUTOUTS & TRIM & GRIND INFORMATION.
3. CLEAN FIBERGLASS SURFACE W/ALCOHOL PRIOR TO PLACING GASKET.
4. REFER TO DWG. 05105 & 05128 FOR LAMINATION DETAIL.
5. QUANTITIES FOR BOTH COVERS.

REVISIONS					
REV.	DESCR.	BY	DATE	APPVD.	ECN NO.
A	3-5/8 WAS 4-1/8"; 23-1/8 WAS 23-3/4"	RD	9/12/05	VPK	050362
B	#8 WAS P/N 1760583, ADDED VIEW OF STBD LID	SWH	11/30/05	VPK	050362
C	9 WAS 1781463	SWH	1/18/06	AD	050362



INTERPRET DIMENSIONS AND TOLERANCES PER ANSI Y 14.5 UNLESS OTHERWISE SPECIFIED DIMENSIONS ARE IN INCHES.
TOLERANCES: ANGLES = ± .5° .XXX = ± .010
.X = ± .1
.XX = ± .03 X = ± 1/16
DO NOT SCALE DRAWING



CHECKED: H. WOOD	DATE: 7/29/05	DRAWN: J. HALPIN	DATE: 6-30-05	SCALE: NONE	BOAT MODEL 285CQ	MOLD NO.
APPD: K. RANIERI	DATE: 8/1/05	DWG. TITLE: FISHWELL COVERS SUB ASSEMBLY			INIT. REL. ECN NO: 050362	DWG. NO: 09401
DESIGN: V. KNIGHT	DATE: 8/1/05				SHT. NO. 1 OF 2	
INT. ENG: M. GATICA	DATE: 9/13/05					

PARTS LIST

ITEM	QTY.	U/M	DESCRIPTION	B.W.I. NO.
01	1	EA.	FISHWELL COVER, PORT	22-K231-00
02	6	EA.	HINGE, DOOR SS 1.5"X 3" THINLINE	1617323
03	4	EA.	LATCH, COMPRESSION 2.5"N/LOCKING SS	1781446
04	18	EA.	NUT, BBL #10-24 X 3/8" FH	1040187
05	18	EA.	SCREW, MACHINE #10-24 X 5/8" POH SC	1010545
06	4	EA.	SCREW, TAPPING #8A X 5/8" PTH SC	1010925
07	2	EA.	BRACKET, SS LIFT CYL 90DEG 1"W/STUD	1688166
(B) 08	21	FT.	TRIM-SEAL, #3-2684 SELF-ADH BLK	1815808
(C) 09	4	EA.	CATCH, PAWL DEEP OFFSET SS	1791583
10	4	EA.	PLATE, SHALLOW 2.5"W/1/16" LIP HDWR PKG SS	1793455
11	1	EA.	FISHWELL COVER, STBD	22-K261-00

THIS DOCUMENT IS THE PROPERTY OF BOSTON WHALER, INC. MFG. DEPT., EDGEWATER, FLORIDA. ALL RIGHTS ARE RESERVED. THIS DOCUMENT AND INFORMATION CONTAINED MUST NOT BE COPIED OR DISCLOSED TO OTHERS WITHOUT WRITTEN PERMISSION OF BOSTON WHALER, INC.

DWG. NO:
09413

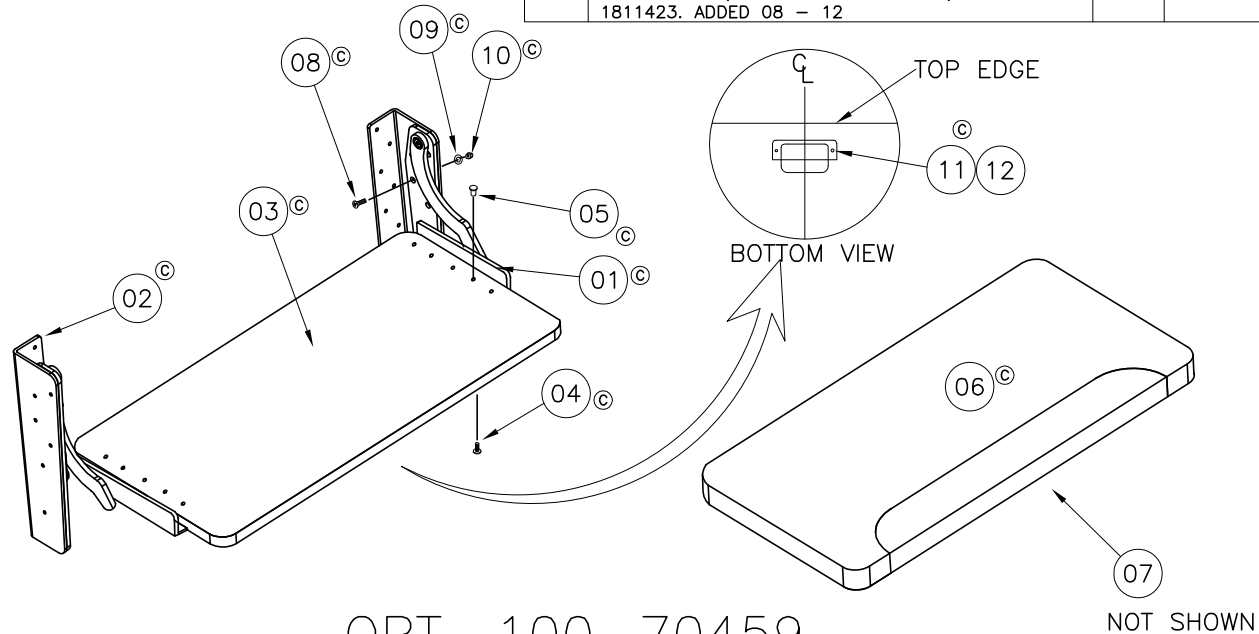
REV.
C

CURRENT ECD
09066025

NOTE:

1. USE LOC-TITE ON ALL MACHINE SCREWS.

REVISIONS					
REV.	DESCR.	BY	DATE	APPVD.	ECN NO.
A	DWG. TITLE WAS STERN SEAT SUB-ASSY.	RD	8/30/05	VPK	050362
B	AFT FLAP ON CUSH. MADE SHORTER, #7 QTY WAS 14	AT	02/22/06	VPK	050362
C	MYE "10", 01 WAS 1789218, 02 WAS 1702621, 03 WAS 1811362, 04 & 05 WAS QTY 12, 06 WAS 1811423. ADDED 08 - 12	SLJ	09/21/09		09066025



OPT. 100-70459

PARTS LIST

ITEM	STD.	U/M	DESCRIPTION	BWI NO.
© 01	1	ST.	HINGE ASSY, BW-09 FOLDING SEAT N/LEGS	1939538
© 02	1	PR.	BRACKET, ALUM 235CQ-10 FLDG SEAT R/L	1965864
© 03	1	EA.	BASE, HDPE 18.75 X 38 FLDG SEAT	1967631
© 04	10	EA.	SCREW, MACHINE #1/4 - 20 X 3/4" PPH SC	1305499
© 05	10	EA.	NUT, BBL #1/4-20 X 3/8" TH CHR	1797625
© 06	1	EA.	CUSH, 18.75 X 38 FLDG SEAT	1967630
ⓑ 07	12	EA.	SNAP STUD, W/#8 X 3/8" PH BR/NI/SS	0203786
© 08	12	EA.	SCREW, MACHINE #1/4-20 X 3/4" PFH SC	1007863
© 09	12	EA.	WASHER, LOCK/SPLIT 1/4" SC	1260595
© 10	12	EA.	NUT, ACORN #1/4-20 SC	1357813
© 11	1	EA.	HANDLE, SS BW-08 PULL	1878781
© 12	2	EA.	SCREW, TAPPING #8A X 1" POH SC	1213065

INTERPRET DIMENSIONS AND TOLERANCES PER ANSI Y 14.5 UNLESS OTHERWISE SPECIFIED DIMENSIONS ARE IN INCHES.
TOLERANCES: ANGLES = ± .5° .XXX = ± .010
.X = ± .1 .XX = ± .03
X = ± 1/16
DO NOT SCALE DRAWING



CHECKED: H. WOOD	DATE: 8/23/05	DRAWN: M.ZAFFUTO	DATE: 08/10/05	SCALE: NONE	BOAT MODEL 285CQ	MOLD NO.
APPD: A. DALE	DATE: 8/24/05	DWG. TITLE: FOLDING SEAT SUB-ASSY (PORT)			INIT. REL. ECN NO: 050362	DWG. NO: 09413
DESIGN: V. KNIGHT	DATE: 8/24/05					SHT. NO. 1 of 1
INT. ENG: M. GATICA	DATE: 8/24/05					

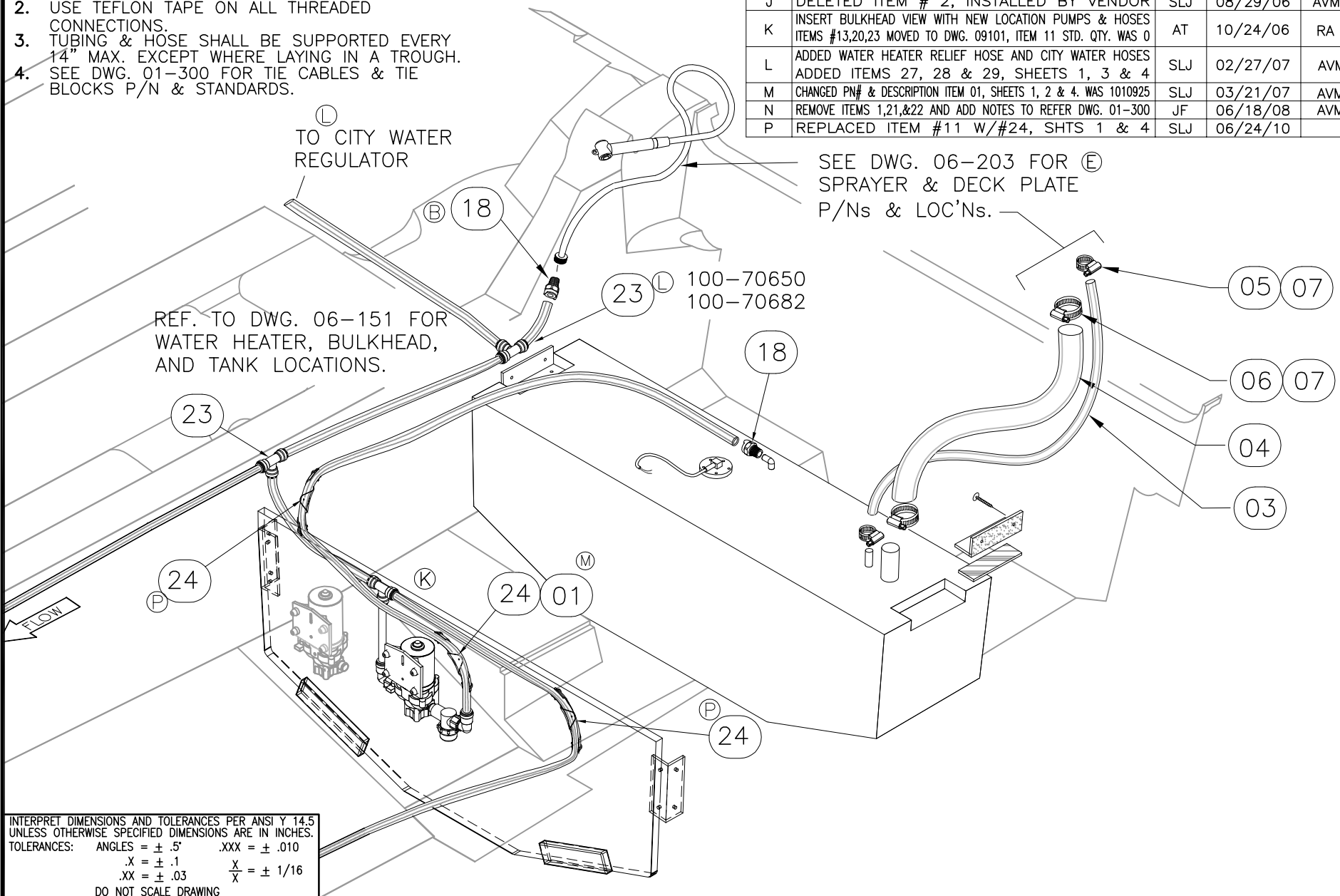
THIS DOCUMENT IS THE PROPERTY OF BOSTON WHALER, INC. MFG. DEPT., EDGEWATER, FLORIDA. ALL RIGHTS ARE RESERVED. THIS DOCUMENT AND INFORMATION CONTAINED MUST NOT BE COPIED OR DISCLOSED TO OTHERS WITHOUT WRITTEN PERMISSION OF BOSTON WHALER, INC.

DWG. NO: 06701
 REV. P
 CURRENT ECD 10066955

NOTE:

1. REFER TO DWG. 01-251 FOR ALL HOSE & TUBING CUT LENGTHS.
2. USE TEFLON TAPE ON ALL THREADED CONNECTIONS.
3. TUBING & HOSE SHALL BE SUPPORTED EVERY 14" MAX. EXCEPT WHERE LAYING IN A TROUGH.
4. SEE DWG. 01-300 FOR TIE CABLES & TIE BLOCKS P/N & STANDARDS.

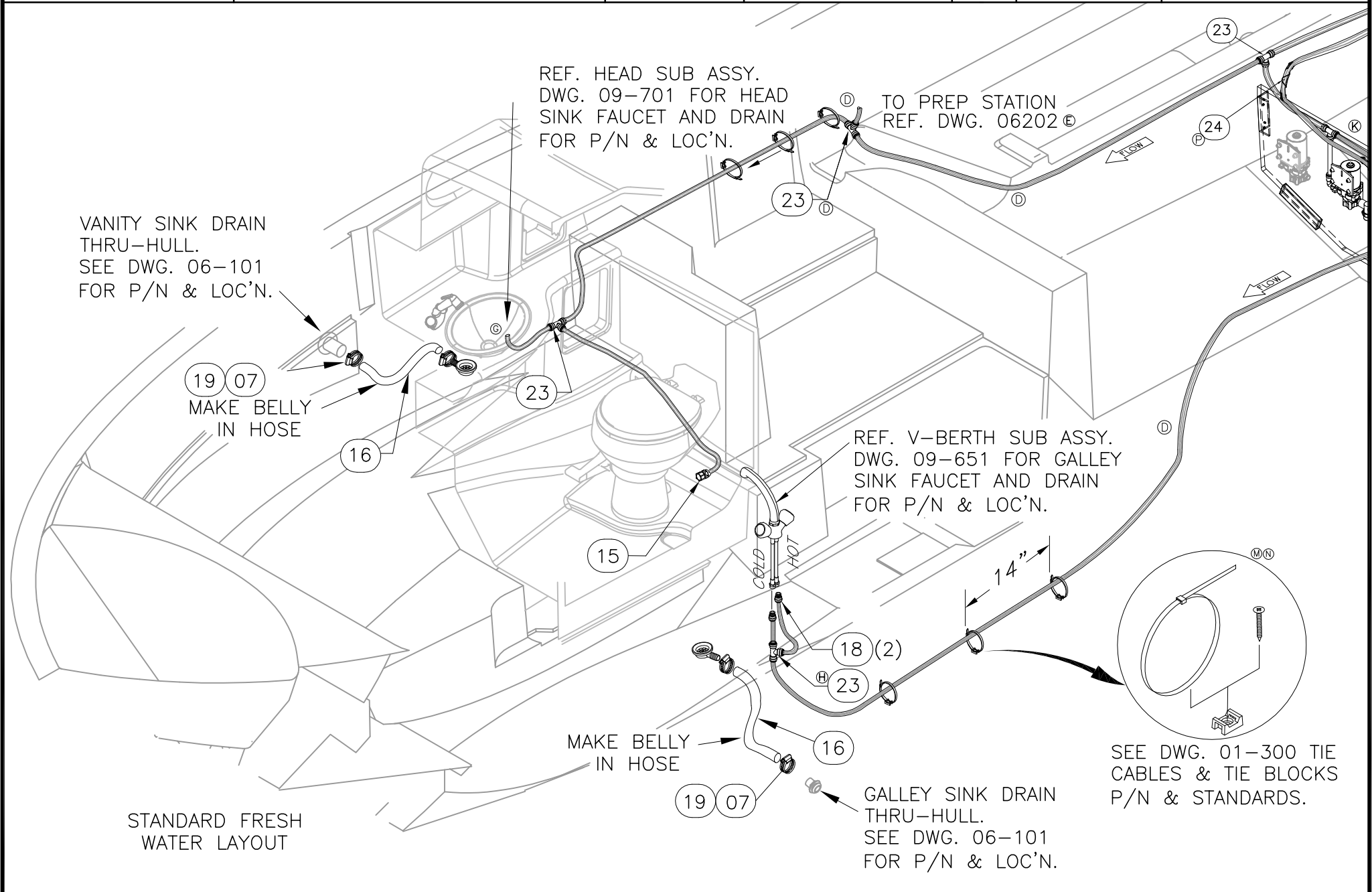
REVISIONS					
REV.	DESCR.	BY	DATE	APPVD.	ECN NO.
J	DELETED ITEM # 2, INSTALLED BY VENDOR	SLJ	08/29/06	AVM	060550
K	INSERT BULKHEAD VIEW WITH NEW LOCATION PUMPS & HOSES ITEMS #13,20,23 MOVED TO DWG. 09101, ITEM 11 STD. QTY. WAS 0	AT	10/24/06	RA	06103706
L	ADDED WATER HEATER RELIEF HOSE AND CITY WATER HOSES ADDED ITEMS 27, 28 & 29, SHEETS 1, 3 & 4	SLJ	02/27/07	AVM	07013912
M	CHANGED PN# & DESCRIPTION ITEM 01, SHEETS 1, 2 & 4. WAS 1010925	SLJ	03/21/07	AVM	07034030
N	REMOVE ITEMS 1,21,&22 AND ADD NOTES TO REFER DWG. 01-300	JF	06/18/08	AVM	08065289
P	REPLACED ITEM #11 W/#24, SHTS 1 & 4	SLJ	06/24/10		10066955



INTERPRET DIMENSIONS AND TOLERANCES PER ANSI Y 14.5 UNLESS OTHERWISE SPECIFIED DIMENSIONS ARE IN INCHES.
 TOLERANCES: ANGLES = ± .5° .XXX = ± .010
 .X = ± .1 X = ± 1/16
 .XX = ± .03 X

DO NOT SCALE DRAWING

<p>BOSTON WHALER PRODUCT DEV. & MFG. ENGINEERING GROUP</p>	CHECKED: A. DALE	DATE: 08-05-05	DRAWN: HAL READ	DATE: 07/18/05	SCALE: NONE	BOAT MODEL	MOLD NO.
	APPD: KR	DATE: 08-05-05	DWG. TITLE:			285CQ	
	DESIGN: VPK	DATE: 08-08-05	FRESH WATER SYSTEM			INIT. REL. ECN NO:	DWG. NO:
	INT. ENG: MG	DATE: 08-08-05			050362	06701	SHT. NO.
						1	OF 4



STANDARD FRESH WATER LAYOUT



INTERPRET DIMENSIONS AND TOLERANCES PER ANSI Y 14.5 UNLESS OTHERWISE SPECIFIED DIMENSIONS ARE IN INCHES.
TOLERANCES: ANGLES = ± .5° .XXX = ± .010
.X = ± .1 X = ± 1/16
.XX = ± .03
DO NOT SCALE DRAWING

DRAWN: HAL READ DATE: 07/18/05 SCALE: NONE
DWG. TITLE: FRESH WATER SYSTEM

BOAT MODEL: 285CQ
INIT. REL. ECN NO: 050362

MOLD NO.
DWG. NO: 06701

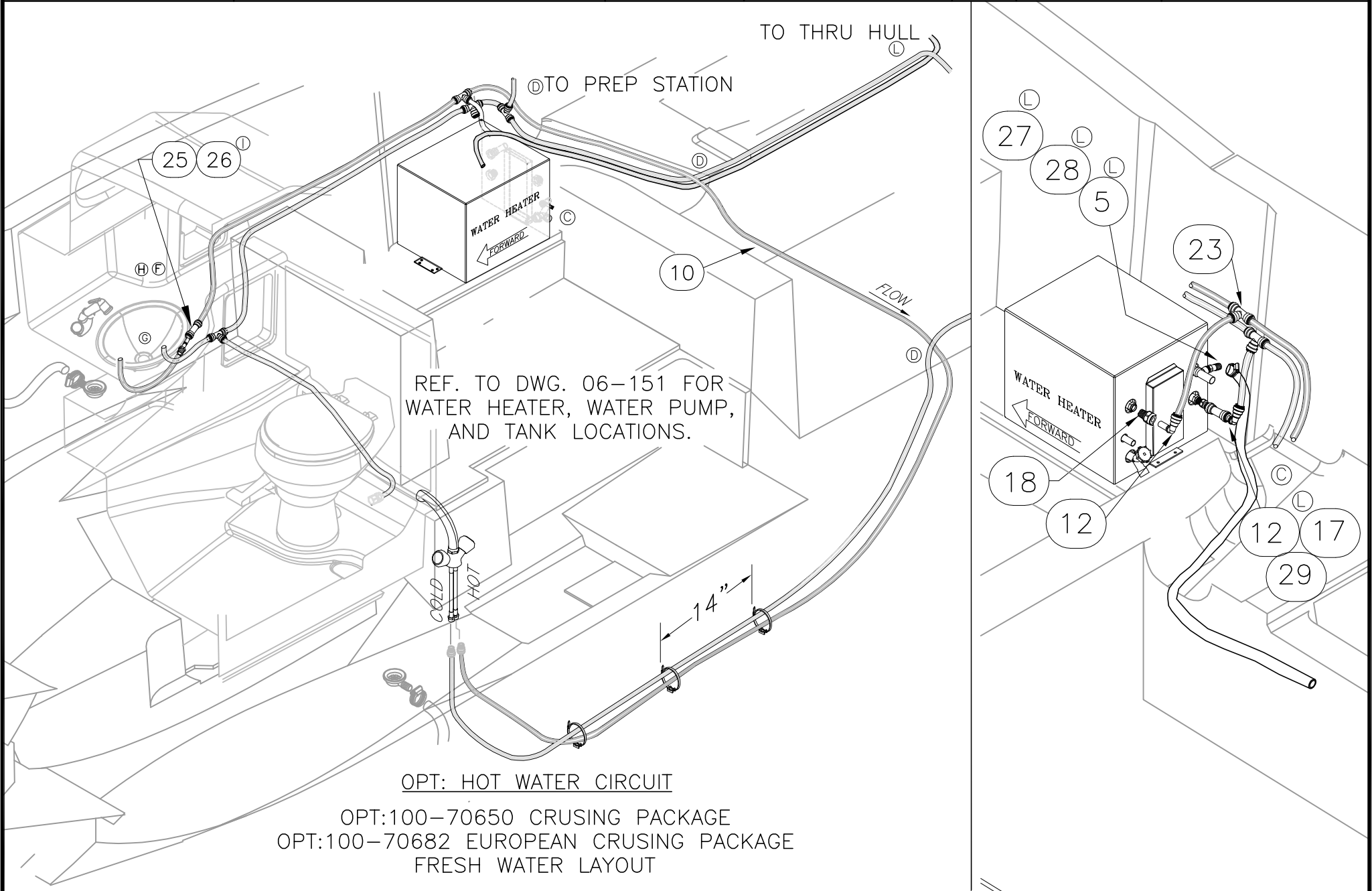
SHT. NO. 2 OF 4

THIS DOCUMENT IS THE PROPERTY OF BOSTON WHALER, INC. MFG. DEPT., EDGEWATER, FLORIDA. ALL RIGHTS ARE RESERVED. THIS DOCUMENT AND INFORMATION CONTAINED MUST NOT BE COPIED OR DISCLOSED TO OTHERS WITHOUT WRITTEN PERMISSION OF BOSTON WHALER, INC.

DWG. NO:
06701

REV.
P

CURRENT ECD
10066955



INTERPRET DIMENSIONS AND TOLERANCES PER ANSI Y 14.5 UNLESS OTHERWISE SPECIFIED DIMENSIONS ARE IN INCHES.
TOLERANCES: ANGLES = ± .5° .XXX = ± .010
.X = ± .1 X = ± 1/16
.XX = ± .03

DO NOT SCALE DRAWING

DRAWN: HAL READ DATE: 07/18/05 SCALE: NONE
DWG. TITLE:
FRESH WATER SYSTEM

BOAT MODEL
285CQ

MOLD NO.

INIT. REL. ECN NO:
050362

DWG. NO:
06701

SHT. NO.
3 OF 4

THIS DOCUMENT IS THE PROPERTY OF BOSTON WHALER, INC. MFG. DEPT., EDGEWATER, FLORIDA. ALL RIGHTS ARE RESERVED. THIS DOCUMENT AND INFORMATION CONTAINED MUST NOT BE COPIED OR DISCLOSED TO OTHERS WITHOUT WRITTEN PERMISSION OF BOSTON WHALER, INC.

DWG. NO:
06701

REV.
P

CURRENT ECD
10066955

				Parts List			
	ITEM	STD	OPT	U/M	DESCRIPTION	B.W.I.	NO.
(N)(M)	1	30		EA.	SCREW, TAPPING #8A X 5/8" PPH TEK SC W/EPXY	1893323	
(J)	2	1		EA.	SENDING UNIT, FUEL SENDER WEMA 14" 12V	1810951	
	3	0		FT.	HOSE, SANI/CHEMICAL TDX 5/8"	0124719	
	4	0		FT.	HOSE, SANI/SMOOTH WALL 1.5"	0123844	
(L)	5	2	2	EA.	CLAMP, HOSE #10 1/2"-1 1/8" SS .505	0263954	
	6	2		EA.	CLAMP, HOSE #24 1"-2" SS .505	0256693	
	7	8		EA.	COVER, CLAMP END PROT 1/2"L X .045" X .465" RED	0830968	
(B)	8	1		EA.	COUPLING, ACETAL 1/2"MPT X 1/2"NPT	1021005	
	9	0		FT.	TUBING, SEATECH 15MM X 11MM X 250' BLUE	1210160	
	10		0	FT.	TUBING, SEATECH 15MM X 11MM X 250' RED	1210194	
(P)(D)	11		1	EA.	ELBOW, SEATECH 90DEG EQUAL 15MM	1214832	
	12		1	EA.	ELBOW, SEATECH 90DEG STEM 15MM	1214840	
(K)	13	1		EA.	FILTER, IN-LINE WATER 1/2"MPSM X 1/2"NPSF	1797944	
(A)	14		1	EA.	ADAPTER, SEATECH 3/8"F-15MM BRASS	1755691	
(C)(B)	15	1		EA.	FITTING, NEPT 1/2"FEM SWVL BLK	1453984	
	16	0		FT.	HOSE, GEN PURPOSE 1"	0196667	
	17		1	EA.	ADAPTER, SEATECH STEM CHECK 1/2"MPT X 15MM	1210897	
(H)(E)(B)	18	4	1	EA.	ADAPTER, SEATECH STRAIGHT 1/2"MPT-15MM	1542919	
	19	4		EA.	CLAMP, HOSE #12 1/2"-1.25" SS .505	0256677	
(K)	20	2		EA.	FITTING, NEPT 1/2"FEM X 15MM ELB SWVL 90DEG	1453935	
(N)	21	30		EA.	TIE, CABLE 6" LG NYLON BLK	0999672	
(N)(A)	22	30		EA.	TIE, CLIP BLK	1031764	
(L)(H)(D)(A)	23	5	2	EA.	TEE, SEATECH EQUAL 15MM	1214824	
(P)(D)	24	3		EA.	CLIP, SEATECH FLOW BEND 15MM X 90 DEG	1425297	
(L)(H)(F)	25		1	EA.	COUPLING, SEATECH EQUAL 15MM	1224526	
(I)	26		1	EA.	ADAPTER, SEATECH 3/8"BSP MALE 15MM STEM PLAS	1543289	
(L)	27		1	EA.	TAILPIECE, MARELON 3/4"MPT X 3/4"BARB	0567925	
(L)	28		-	FT.	HOSE, WATER 3/4" BLK REINF PVC	1042100	
(L)	29		1	EA.	COUPLING, SEATECH EQUAL 15MM	1224526	



INTERPRET DIMENSIONS AND TOLERANCES PER ANSI Y 14.5 UNLESS OTHERWISE SPECIFIED DIMENSIONS ARE IN INCHES.
 TOLERANCES: ANGLES = ± .5° .XXX = ± .010
 .X = ± .1 X = ± 1/16
 .XX = ± .03

DO NOT SCALE DRAWING

DRAWN: HAL READ

DATE: 07/18/05

SCALE: NONE

BOAT MODEL

MOLD NO.

285CQ

DWG. TITLE:

FRESH WATER SYSTEM

INIT. REL. ECN NO:

DWG. NO:

SHT. NO.

050362

06701

4 OF 4

THIS DOCUMENT IS THE PROPERTY OF BOSTON WHALER, INC. MFG. DEPT., EDGEWATER, FLORIDA. ALL RIGHTS ARE RESERVED. THIS DOCUMENT AND INFORMATION CONTAINED MUST NOT BE COPIED OR DISCLOSED TO OTHERS WITHOUT WRITTEN PERMISSION OF BOSTON WHALER, INC.

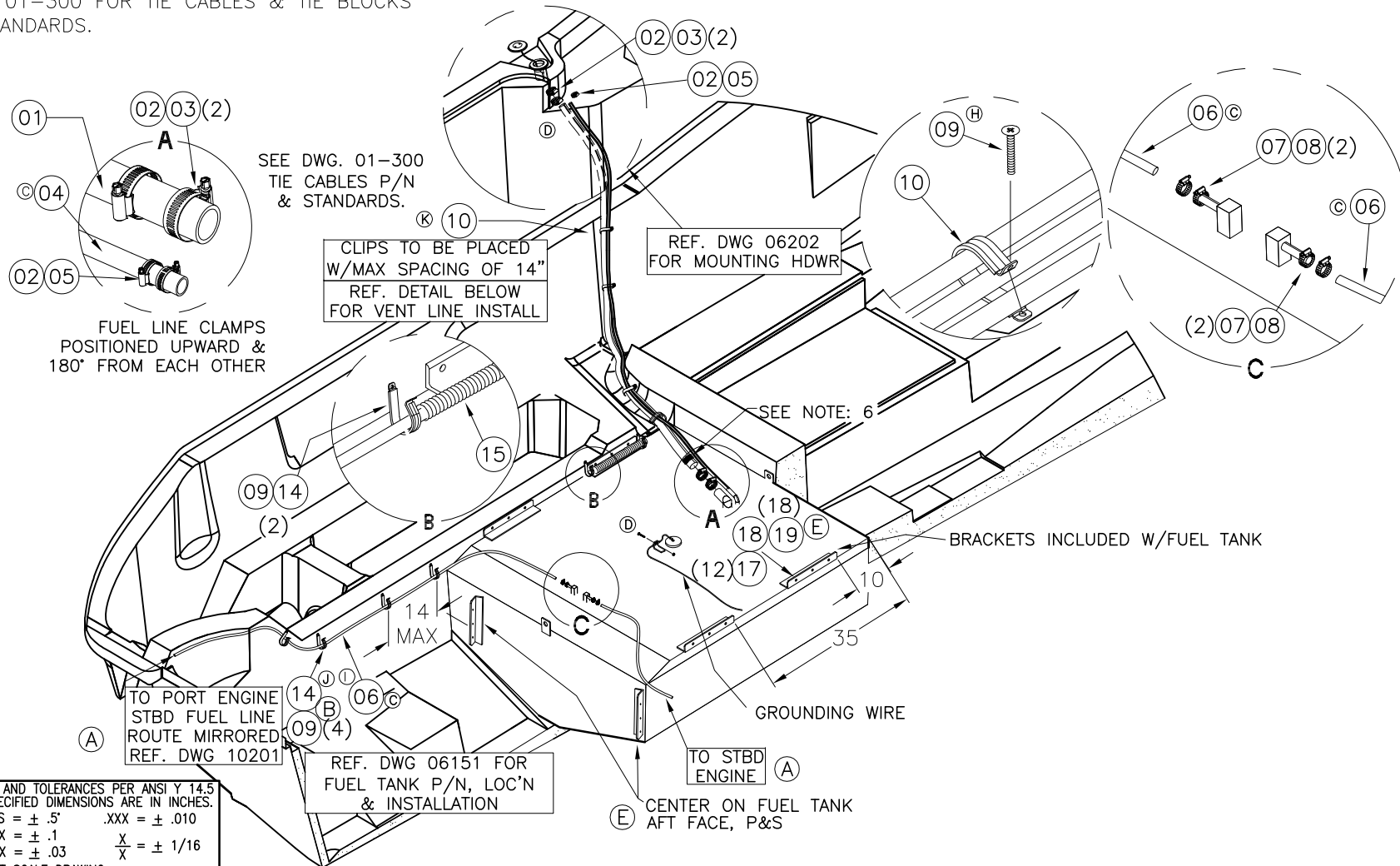
DWG. NO:
10501

REV.
K

CURRENT ECD
08065289

REVISIONS					
REV.	DESCR.	BY	DATE	APPVD.	ECN NO.
J	MVE "09" ITEM #10 WAS 1040344, #14 WAS 1040336 QTY 4, DELETED #16	SLJ	05/12/08	DH	08045123
K	REMOVE ITEM 11 AND ADD NOTES TO REFER DWG# 01-300 & UPDATED QTY ON ITEM 9	JF	06/16/08	AF	08065289

1. REF. DWG 06101 FOR ALL HOLE CUTOUTS.
2. REF. DWG 01251 (CUT LIST FOR HOSE LENGTHS).
3. HOSE & LINE ROUTINGS TO COMPLY W/NMMA, USCG, & ABYC STANDARDS.
4. PRESSURE TEST COMPLETED FUEL SYSTEM IN ACCORDANCE W/ABYC H-24-17, PSI TEST @ 3 PSI FOR A MINIMUM OF 21 MINUTES.
MARK FUEL PICKUP HOSES W/COLOR ELECTRICAL TAPE:
5. PORT HOSES - RED
STARBOARD HOSES - GREEN
6. DOUBLE CLAMPS ON FUEL AND VENT LINES.
7. SEE DWG. 01-300 FOR TIE CABLES & TIE BLOCKS P/N & STANDARDS.



INTERPRET DIMENSIONS AND TOLERANCES PER ANSI Y 14.5 UNLESS OTHERWISE SPECIFIED DIMENSIONS ARE IN INCHES.
TOLERANCES: ANGLES = ± .5° .XXX = ± .010
.X = ± .1 .XX = ± .03
X = ± 1/16
DO NOT SCALE DRAWING



CHECKED: RA	DATE: 9-16-05	DRAWN: M.ZAFFUTO	DATE: 07/21/05	SCALE: NONE	BOAT MODEL	MOLD NO.	
APPD: KR	DATE: 9-16-05	DWG. TITLE:		285CQ			
DESIGN: VPK	DATE: 9-19-05	FUEL SYSTEM ASSEMBLY				INIT. REL. ECN NO:	DWG. NO:
INT. ENG: MG	DATE: 9-19-05					050362	10501
						SHT. NO.	
						1 of 2	

PARTS LIST

ITEM	QTY.	U/M	DESCRIPTION	BWI NO.
	01	0	FT. HOSE, FUEL 1.5" TYPE A CLASS 2	0123745
	02	7	EA. COVER, CLAMP END PROT 1/2"L X .045" X .465"RED	0830968
	03	4	EA. CLAMP, HOSE #24 1"-2" SS .505	0256693
(C)	04	0	FT. HOSE, FUEL 5/8" TYPE A CLASS 1 ISO/CE	0123778
	05	3	EA. CLAMP, HOSE #10 1/2"-1 1/8" SS .505	0263954
(I)(C)	06	0	FT. HOSE, FUEL 3/8" TYPE A CLASS 1-15 ISO/CE/CARB	1884011
	07	4	EA. CLAMP, HOSE #06M 5/16"-7/8" SS MINI	0123398
	08	4	EA. COVER, CLAMP END PROT 1/2"L X.035"X.30"RED	0830976
(K)(H)(D)(B)	09	5	EA. SCREW, TAPPING #8A X 5/8" PPH TEK SC W/EPXY	1893323
(J)(F)	10	3	EA. CLAMP, LOOM 2" G32	1704652
(K)(D)	11	5	EA. TIE, CLIP BLK	1031764
(D)	12	4	EA. CLIP, SUPPORT 2"DIA	1323427
(D)	13	1	EA. SPRING, VENT 1.05"X12" SS	1041367
(J)(F)	14	10	EA. CLAMP, LOOM 1.25"	1701321
	15	0	FT. HOSE, CONDUIT/SPLIT 3/8" FLAME RETARDANT	1501832
(J)(F)(B)	16	6	EA. CLIP, SUPPORT 1"DIA	1216720
(E)	17	12	EA. RUBBER PAD, BW FUEL TANK 2"X 6"	1042407
(E)	18	18	EA. BOLT, LAG 3/8"X 1.5" SS HEX HD	1009703
(G)(E)	18	18	EA. WASHER, LOCK/SPLIT 3/8" SC	1260603

THIS DOCUMENT IS THE PROPERTY OF BOSTON WHALER, INC. MFG. DEPT., EDGEWATER, FLORIDA. ALL RIGHTS ARE RESERVED. THIS DOCUMENT AND INFORMATION CONTAINED MUST NOT BE COPIED OR DISCLOSED TO OTHERS WITHOUT WRITTEN PERMISSION OF BOSTON WHALER, INC.

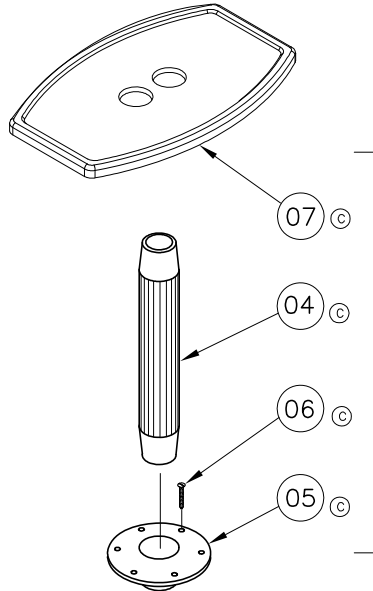
DWG. NO:
09301

REV.
D

CURRENT ECD
07094570

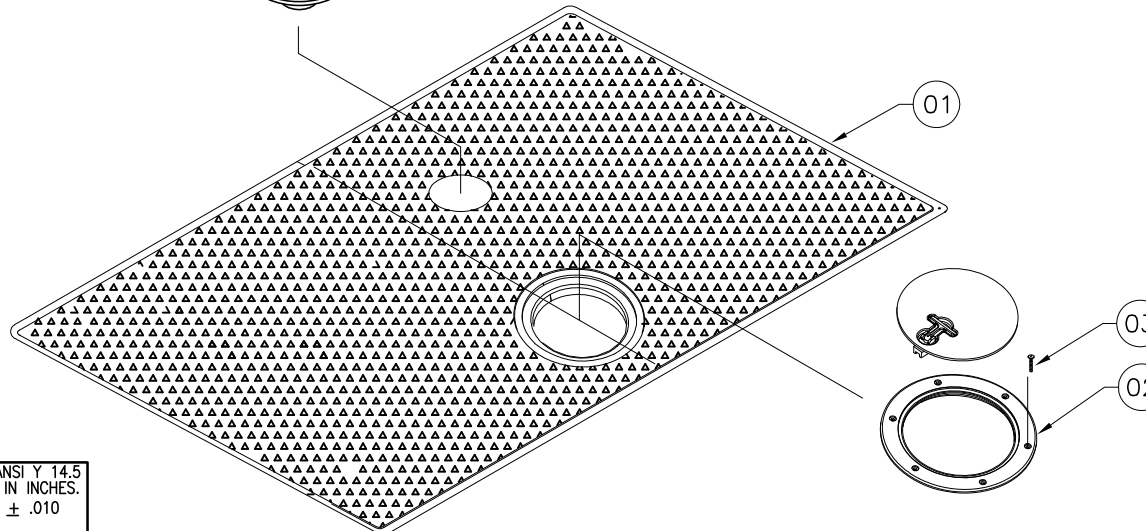
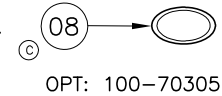
- NOTES:
1. SEE DWG. 05108 FOR LAMO. DETAIL.
2. SEE DWG. 16108 FOR CUTOUT DETAIL.

REVISIONS					
REV.	DESCR.	BY	DATE	APPVD.	ECN NO.
A	A1-3 WAS P/N 0189415, A2-MOVED HOLE FROM CORNER	SWH	11-23-05	VPK	05-03-62
B	CHANGED PN# & DESCRIPTION ITEM 03, SHEET 1	SLJ	03/22/06	VPK	060363
C	MOVED PARTS 4 THRU 8 FROM 11-201	HJR	11/20/06	MG	060495
D	CHANGED PT#1008762 TO 1781122	TKJ	9/25/07	ME	07094570



PARTS LIST					
ITEM	QTY.	U/M	DESCRIPTION	BWI NO.	
	STD.	OPT.			
01	1	-	EA. FIBERGLASS PART, FUEL TANK COVER (MIDSHIP)	22K23000	
02	1	-	EA. ACCESS PLATE, POLYPROP TWIST-OUT 8" WHT	1068659	
03	6	-	EA. SCREW, MACHINE #10-24 X	1781122	
04	-	1	EA. POST, TBL LEG FLUTED TPR 2.25"DIA	1878023	
05	-	1	EA. BASE, TBL FLUSH MNT ALUM TPR SOCKET 2.25"DIA	1878021	
06	-	6	EA. SCREW, TAPPING #14A x 1.5 PFH SC	1008382	
07	-	1	EA. COCKPIT TABLE SUB ASSEMBLY	09-433	
08	-	1	EA. CAP, PLAS TBL FLUSH BASE 2.25"	1878024	

NOTE: USE WHEN TABLE IS STOWED.



INTERPRET DIMENSIONS AND TOLERANCES PER ANSI Y 14.5 UNLESS OTHERWISE SPECIFIED DIMENSIONS ARE IN INCHES.
TOLERANCES: ANGLES = ± .5° .XXX = ± .010
.X = ± .1 .XX = ± .03
X = ± 1/16
DO NOT SCALE DRAWING



CHECKED: H. WOOD	DATE: 8-23-05	DRAWN: J. HALPIN	DATE: 8-17-05	SCALE: NONE	BOAT MODEL	MOLD NO.
APPD: A. DALE	DATE: 8-23-05	DWG. TITLE: FUEL TANK COVER SUB-ASSY.		285CQ	22K23000	
DESIGN: VPK	DATE: 8-23-05			INIT. REL. ECN NO:	DWG. NO:	SHT. NO.
INT. ENG: MG	DATE: 8-23-05			050362	09301	1 OF 2

THIS DOCUMENT IS THE PROPERTY OF BOSTON WHALER, INC. MFG. DEPT., EDGEWATER, FLORIDA. ALL RIGHTS ARE RESERVED. THIS DOCUMENT AND INFORMATION CONTAINED MUST NOT BE COPIED OR DISCLOSED TO OTHERS WITHOUT WRITTEN PERMISSION OF BOSTON WHALER, INC.

DWG. NO:
09301

REV.
D

CURRENT ECD
07094570

.205 ϕ THRU (#5 DRILL BIT)
4 PLCS.

1 CENTER
ON FLAT

(A2)

DIM.
TYP.

HOLE DRILLING PATTERN

1/2

1/2

1/2

1/2

BOSTON
WHALER
PRODUCT DEV. & MFG. ENGINEERING GROUP

INTERPRET DIMENSIONS AND TOLERANCES PER ANSI Y 14.5
UNLESS OTHERWISE SPECIFIED DIMENSIONS ARE IN INCHES.
TOLERANCES: ANGLES = $\pm .5^\circ$.XXX = $\pm .010$
.X = $\pm .1$.XX = $\pm .03$ X = $\pm 1/16$
DO NOT SCALE DRAWING

DRAWN: J. HALPIN DATE: 8/17/05 SCALE: NONE

DWG. TITLE:
FUEL TANK COVER SUB-ASSY.

BOAT MODEL
285CQ

MOLD NO.
22K23000

INIT. REL. ECN NO:
050362

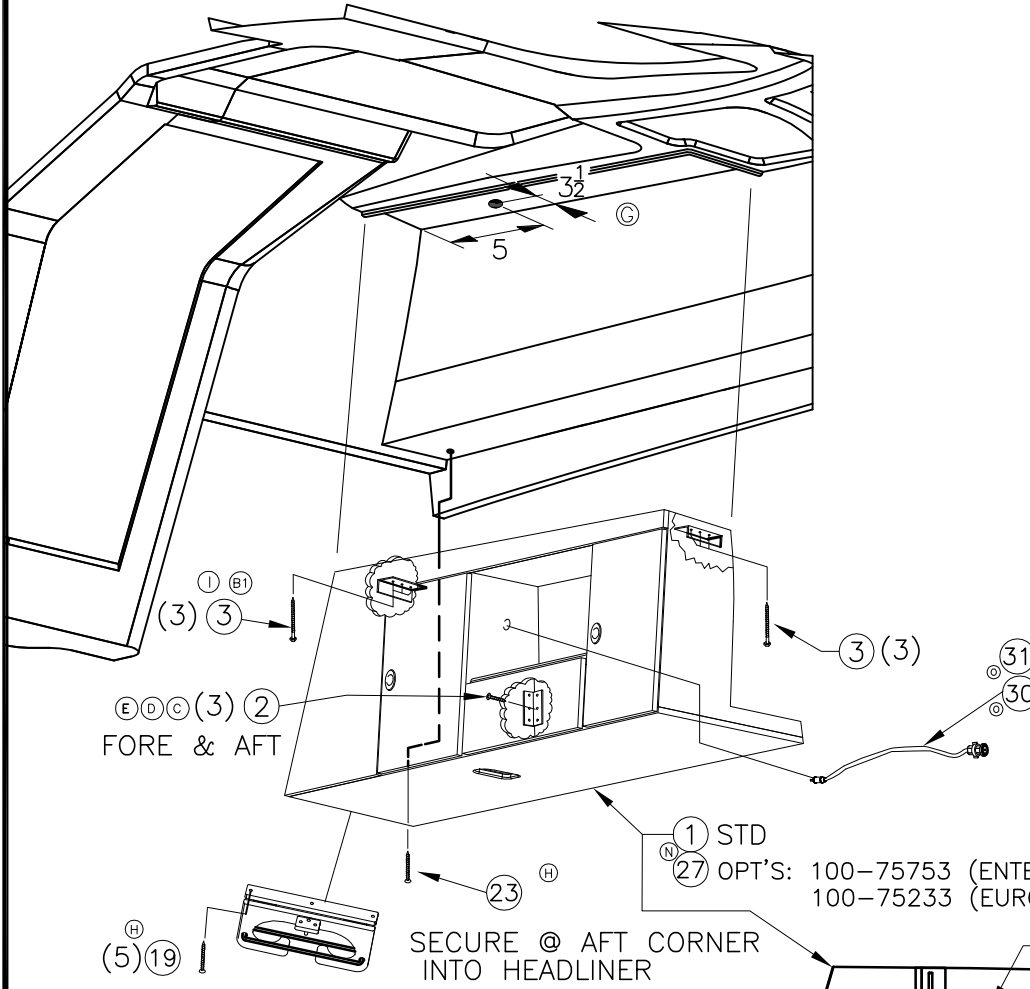
DWG. NO:
09301

SHT. NO.
2 of 2

THIS DOCUMENT IS THE PROPERTY OF BOSTON WHALER, INC. MFG. DEPT., EDGEWATER, FLORIDA. ALL RIGHTS ARE RESERVED. THIS DOCUMENT AND INFORMATION CONTAINED MUST NOT BE COPIED OR DISCLOSED TO OTHERS WITHOUT WRITTEN PERMISSION OF BOSTON WHALER, INC.

DWG. NO: **06302** REV. **0** CURRENT ECD **09055997**

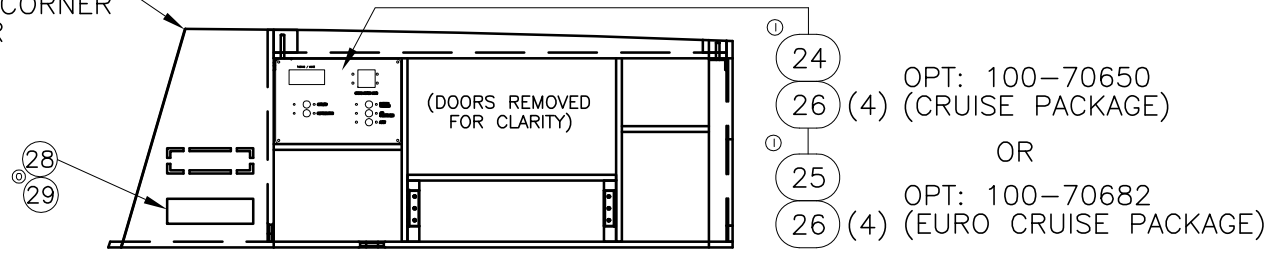
REVISIONS					
REV.	DESCR.	BY	DATE	APPVD.	ECN NO.
M	DELETED ITEM #07, 09 WAS 1812851	TM	04/23/08	AF	08045136
N	ADDED ITEM #27; ITEM #'S 1,8,9 & 10 WERE P/N'S 1812229,1812228,1942928 & 1812230.	SBL	05/06/09		09045912
0	MYE"10", ADDED #28,29,30,31	BH	07/22/09		09055997



PARTS LIST

ITEM	QTY.		U/M	DESCRIPTION	BWI NO.
	STD.	OPT.			
01	1		EA.	CABINET, BW285CQ-10 GLY UPR	1970943
02	10		EA.	SCREW, TAPPING #8A X 1" PTH SC	1008804
03	6		EA.	BOLT, LAG 1/4"X 3" SS HEX HD	1819611
04	4		EA.	SCREW, TAPPING #6A X 3/4" PFH SC	1010370
05	1		EA.	STOVE, ELEC 1 BURNER CARIBBEAN COOKTOP 110	1494418
06	1		EA.	STOVE, ELEC 1 BURNER CARIBBEAN COOKTOP 240	1494459
07	1		EA.	RAIL, SS BW285CQ-06 STOVE ELEC	1814015
08	1		EA.	TOP, CORIAN BW285CQ-10 GLY CNTR	1971974
09	1		EA.	TOP, CORIAN BW285CQ-10 GLY CNTR W/STOVE	1971975
10	1		EA.	CABINET, BW285CQ-10 GLY LWR	1970944
11	1		EA.	MICROWAVE, SHARP 0.8CF SS 800W CAROUSEL	1884843
12	1	-1	EA.	BASE, HDPE BW285CQ-06 STD CAB	1812248
13	1		EA.	BASE, HDPE BW285CQ-06 MCRWW BLK (NEW)	1839519
14	3		EA.	SCREW, MACHINE #10-24 X 1" POH SC	1010446
15	3		EA.	NUT, HEX NYLON LOCK #10-24 SC	1007772
16	3		EA.	WASHER, FENDER #10 X 1" SC	1260454
17	4	8	EA.	SCREW, TAPPING #8A X 1" POH SC	1213065
18	1		EA.	FAUCET, GALLEY W/HANDLES NICKEL/CHR	1756063
19	5		EA.	SCREW, TAPPING #10A X 2" PTH SC	1008754
20	4		EA.	SCREW, TAPPING #6A X 3/4" PFH SC	1010370
21	1		EA.	MICROWAVE, ORIGO 0.5CF 220 SS	1943861
22	1		EA.	BASE, HDPE BW285CQ-06 EURO MCRWW BLK	1817338
23	1		EA.	SCREW, TAPPING #10A X 1.5" PFH SC	1010248
24	1		EA.	PANEL, BW285CQ-06 AC DIST 120V W/CRUISE PKG	1808399
25	1		EA.	PANEL, BW285CQ-06 AC DIST 220/50HZ W/CRUIS PK	1808404
26	4		EA.	SCREW, TAPPING #6A X 1/2" PTH SC	1008796
27	1		EA.	CABINET, BW285CQ-10 GLY UPR W/DVD PLAYER	1970942
28	1		EA.	STEREO, CLARION AM/FM CD/SIR/XM SAT CMD6	1970760
29	1		EA.	STEREO, REMOTE CNTRL W/DIG DSPLY F/CMD6 BLK	1970942
30	1		EA.	CABLE, CLARION USB INPUT 3'	1973247
31	1		EA.	CABLE, JUMPER STEREO ILLUMINATION	1974014

INTERPRET DIMENSIONS AND TOLERANCES PER ANSI Y 14.5 UNLESS OTHERWISE SPECIFIED DIMENSIONS ARE IN INCHES.
 TOLERANCES: ANGLES = ± .5° .XXX = ± .010
 .X = ± .1 X = ± 1/16
 .XX = ± .03 X = ± 1/16
 DO NOT SCALE DRAWING



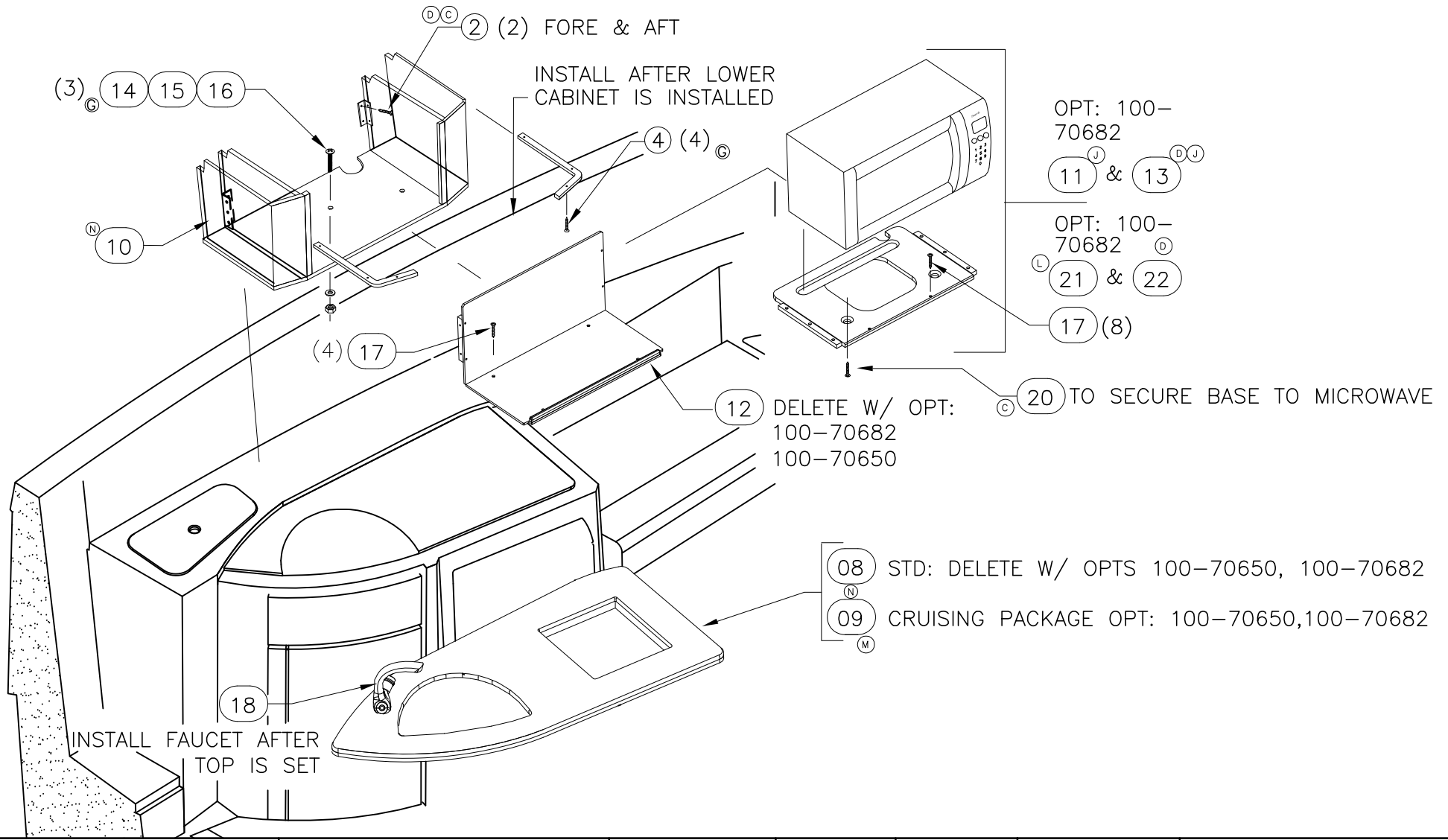
<p>PRODUCT DEV. & MFG. ENGINEERING GROUP</p>	CHECKED: RA	DATE: 10/04/05	DRAWN: HAL READ	DATE: 10/04/05	SCALE: NONE	BOAT MODEL	MOLD NO.
	APPD: KR	DATE: 10/05/05	DWG. TITLE:			285CQ	
	DESIGN: VPK	DATE: 10/05/05	GLY UPPER CABINET INSTALL			INIT. REL. ECN NO:	DWG. NO:
	INT. ENG: MG	DATE: 10/05/05				050362	06302
							1 of 2

THIS DOCUMENT IS THE PROPERTY OF BOSTON WHALER, INC. MFG. DEPT., EDGEWATER, FLORIDA. ALL RIGHTS ARE RESERVED. THIS DOCUMENT AND INFORMATION CONTAINED MUST NOT BE COPIED OR DISCLOSED TO OTHERS WITHOUT WRITTEN PERMISSION OF BOSTON WHALER, INC.

DWG. NO:
06302

REV.
0

CURRENT ECD
09055997



INTERPRET DIMENSIONS AND TOLERANCES PER ANSI Y 14.5 UNLESS OTHERWISE SPECIFIED DIMENSIONS ARE IN INCHES.
TOLERANCES: ANGLES = ± .5° .XXX = ± .010
.X = ± .1
.XX = ± .03 X = ± 1/16
DO NOT SCALE DRAWING

DRAWN: HAL READ DATE: 10/04/05 SCALE: NONE
DWG. TITLE: GLY UPPER CABINET INSTALL

BOAT MODEL: 285CQ
INIT. REL. ECN NO: 050362

MOLD NO.
DWG. NO: 06302

SHT. NO. 2 OF 2

THIS DOCUMENT IS THE PROPERTY OF BOSTON WHALER, INC. MFG. DEPT., EDGEWATER, FLORIDA. ALL RIGHTS ARE RESERVED. THIS DOCUMENT AND INFORMATION CONTAINED MUST NOT BE COPIED OR DISCLOSED TO OTHERS WITHOUT WRITTEN PERMISSION OF BOSTON WHALER, INC.

DWG. NO:
12401

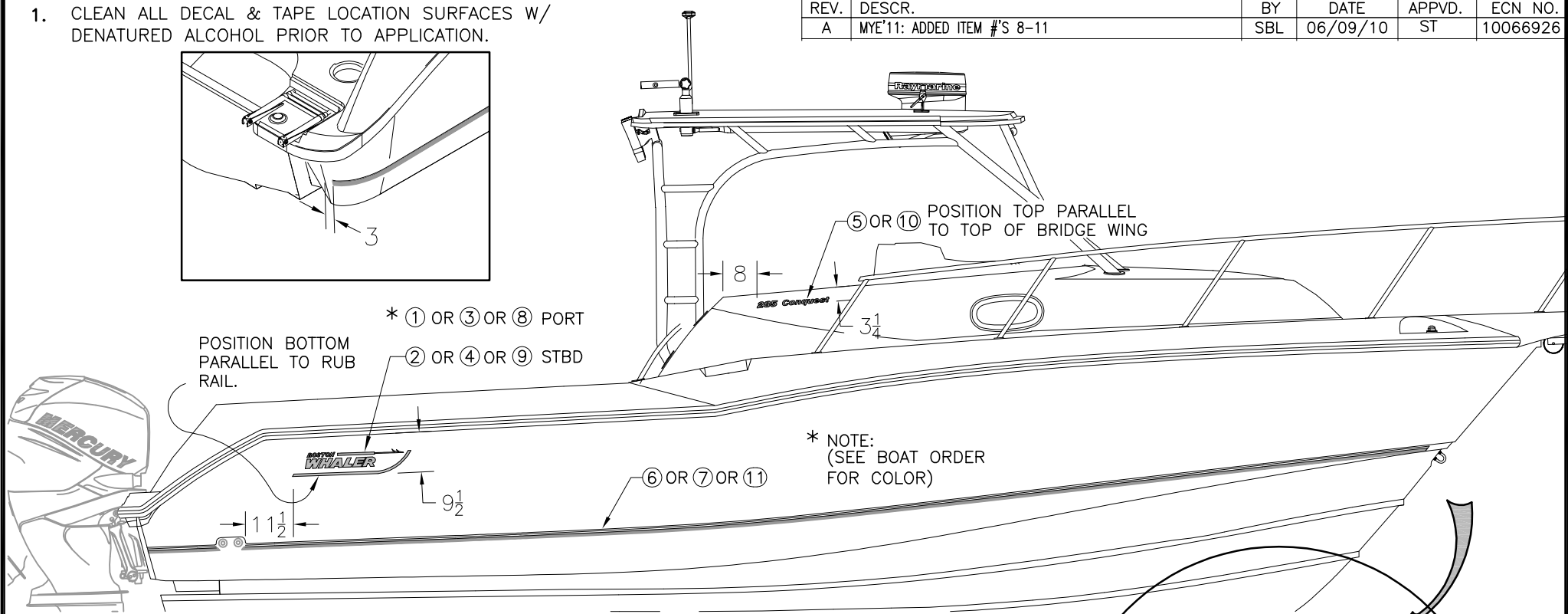
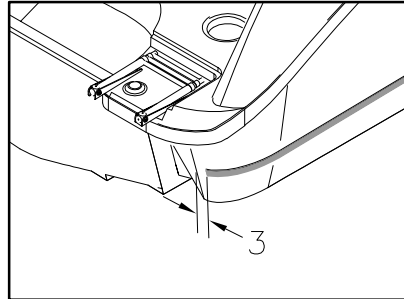
REV.
A

CURRENT ECD
10066926

NOTE:

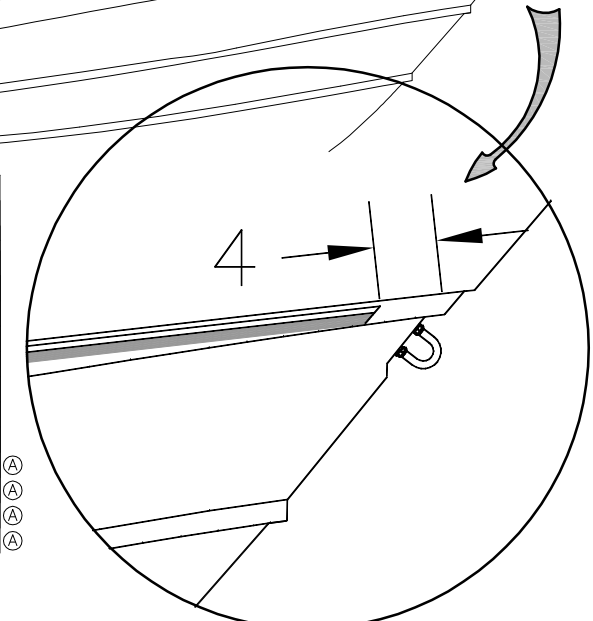
- CLEAN ALL DECAL & TAPE LOCATION SURFACES W/ DENATURED ALCOHOL PRIOR TO APPLICATION.

REVISIONS					
REV.	DESCR.	BY	DATE	APPVD.	ECN NO.
A	MYE'11: ADDED ITEM #'S 8-11	SBL	06/09/10	ST	10066926



PARTS LIST

ITEM	QTY.	U/M	DESCRIPTION	B.W.I. NO.
1	1	EA.	DECAL, BW-04 LOGO 29" RED PRT (DRIP MOLD)	1752941
2	1	EA.	DECAL, BW-04 LOGO 29" RED STB (DRIP MOLD)	1752942
3	1	EA.	DECAL, BW-04 LOGO 29" DK BLUE PRT (DRIP MOLD)	1752943
4	1	EA.	DECAL, BW-04 LOGO 29" DK BLUE STB (DRIP MOLD)	1752944
5	2	EA.	DECAL, BW-06 285CQ GRY (DRIP MOLD)	1803666
6	54	FT.	TAPE, SOLID 1" DK BLUE W/GRY PIN STRIP	1754510
7	54	FT.	TAPE, SOLID 1" RED W/GRY PIN STRIP	1754509
8	1	EA.	DECAL, BW-04 LOGO 29" BLK PRT (DRIP MOLD)	1752948 (A)
9	1	EA.	DECAL, BW-04 LOGO 29" BLK STB (DRIP MOLD)	1752949 (A)
10	2	EA.	DECAL, 285CQ BLK DRIP MOLD	2026282 (A)
11	54	FT.	TAPE, SOLID 1" BLK W/GRY PIN STRIP	2026289 (A)



INTERPRET DIMENSIONS AND TOLERANCES PER ANSI Y 14.5 UNLESS OTHERWISE SPECIFIED DIMENSIONS ARE IN INCHES.
 TOLERANCES: ANGLES = ± .5° .XXX = ± .010
 .X = ± .1 X = ± 1/16
 .XX = ± .03 X = ± 1/16
 DO NOT SCALE DRAWING



CHECKED: RD	DATE: 09-15-06	DRAWN: HAL READ	DATE: 09/14/05	SCALE: NONE	BOAT MODEL 285CQ	MOLD NO.
APPD: KR	DATE: 09-15-06	DWG. TITLE: GRAPHICS LOCATION			INIT. REL. ECN NO: 050362	DWG. NO: 12401
DESIGN: VPK	DATE: 09-15-06				SHT. NO. 1 of 1	
INT. ENG: MG	DATE: 09-15-06					

THIS DOCUMENT IS THE PROPERTY OF BOSTON WHALER, INC. MFG. DEPT., EDGEWATER, FLORIDA. ALL RIGHTS ARE RESERVED. THIS DOCUMENT AND INFORMATION CONTAINED MUST NOT BE COPIED OR DISCLOSED TO OTHERS WITHOUT WRITTEN PERMISSION OF BOSTON WHALER, INC.

DWG. NO:
09226

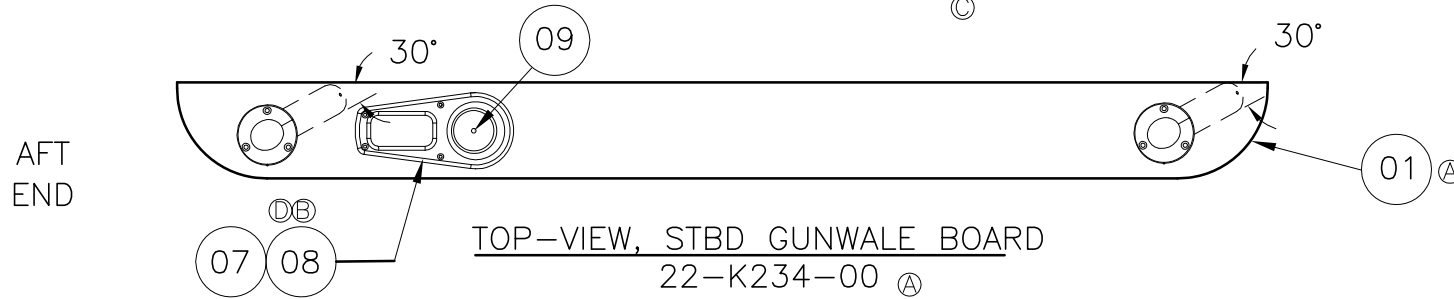
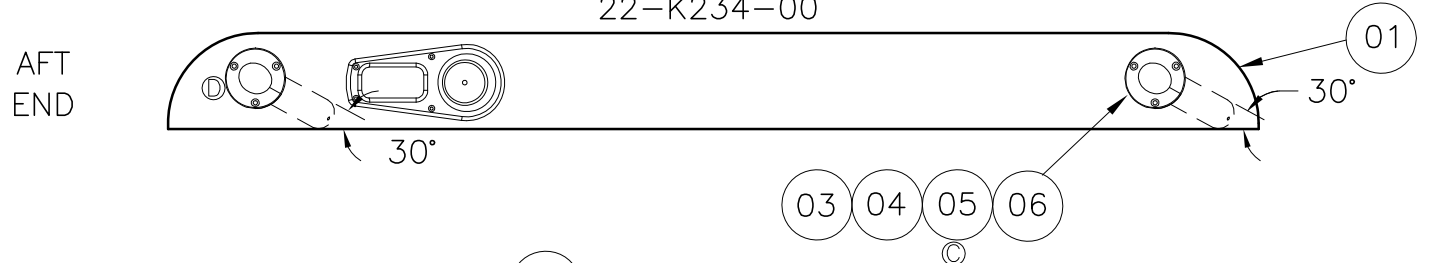
REV.
D

CURRENT ECD
09066025

- NOTES:
1. REFER TO DWG. 05119 FOR LAMO. DETAILS.
2. REFER TO DWG. 16119 FOR CUTOUTS.

REVISIONS					
REV.	DESCR.	BY	DATE	APPVD.	ECN NO.
A	#1 WAS QTY 1, #2 DELETED	HJR	9-15-05	VPK	050362
B	#8 WAS P/N 1008507	SWH	11-23-05	VPK	050362
C	#05 WAS 1007764	SWH	06/08/06	AVM	050362
D	MOVED ROD HOLDERS AFT & 30°, ROTATED HAWSE PIPES 180°	SLJ	08/20/09		09066025


TOP-VIEW, PORT GUNWALE BOARD
22-K234-00



TOP-VIEW, STBD GUNWALE BOARD
22-K234-00

ITEM	STD. QTY.	U/M	DESCRIPTION	MRP NUMBER
Ⓐ 01	2	EA.	FIBERGLASS PART, GUNNEL BOARD, PORT/ STBD	22K23400
Ⓐ 02	1	EA.	FIBERGLASS PART, GUNNEL BOARD, STBD	22K23500
03	4	EA.	ROD HOLDER, FLUSH MNT SS W/BW-05 LOGO	1799571
04	12	EA.	SCREW, MACHINE #1/4-20 X 1.75" POH SC	0133744
Ⓒ 05	12	EA.	NUT, LOCK #1/4-20 SC STD PATT	1009786
06	12	EA.	WASHER, FLAT #1/4" SC	1260769
07	2	EA.	HAWSE PIPE, BW-05 SS W/CUP HOLDER	1789215
Ⓔ 08	8	EA.	SCREW, TAPPING #10A X 3/4" POH SC	1010552
09	2	EA.	DRINKHOLDR, PLAS W/DRAIN DEEP XLG SZ BLK	1727419

INTERPRET DIMENSIONS AND TOLERANCES PER ANSI Y 14.5 UNLESS OTHERWISE SPECIFIED DIMENSIONS ARE IN INCHES.
TOLERANCES: ANGLES = ± .5° .XXX = ± .010
.X = ± .1 .XX = ± .03
X/X = ± 1/16
DO NOT SCALE DRAWING

 <p>BOSTON WHALER PRODUCT DEV. & MFG. ENGINEERING GROUP</p>	CHECKED: A DALE	DATE: 8-23-05	DRAWN: J. HALPIN	DATE: 8-18-05	SCALE: NONE	BOAT MODEL 285CQ	MOLD NO.	
	APPD: H. WOOD	DATE: 8-23-05	DWG. TITLE: GUNWALE BOARD SUB-ASSY.			INIT. REL. ECN NO: 050362	DWG. NO: 09226	SHT. NO. 1 OF 1
	DESIGN: VKP	DATE: 8-23-05						
	INT. ENG: MG	DATE: 8-23-05						

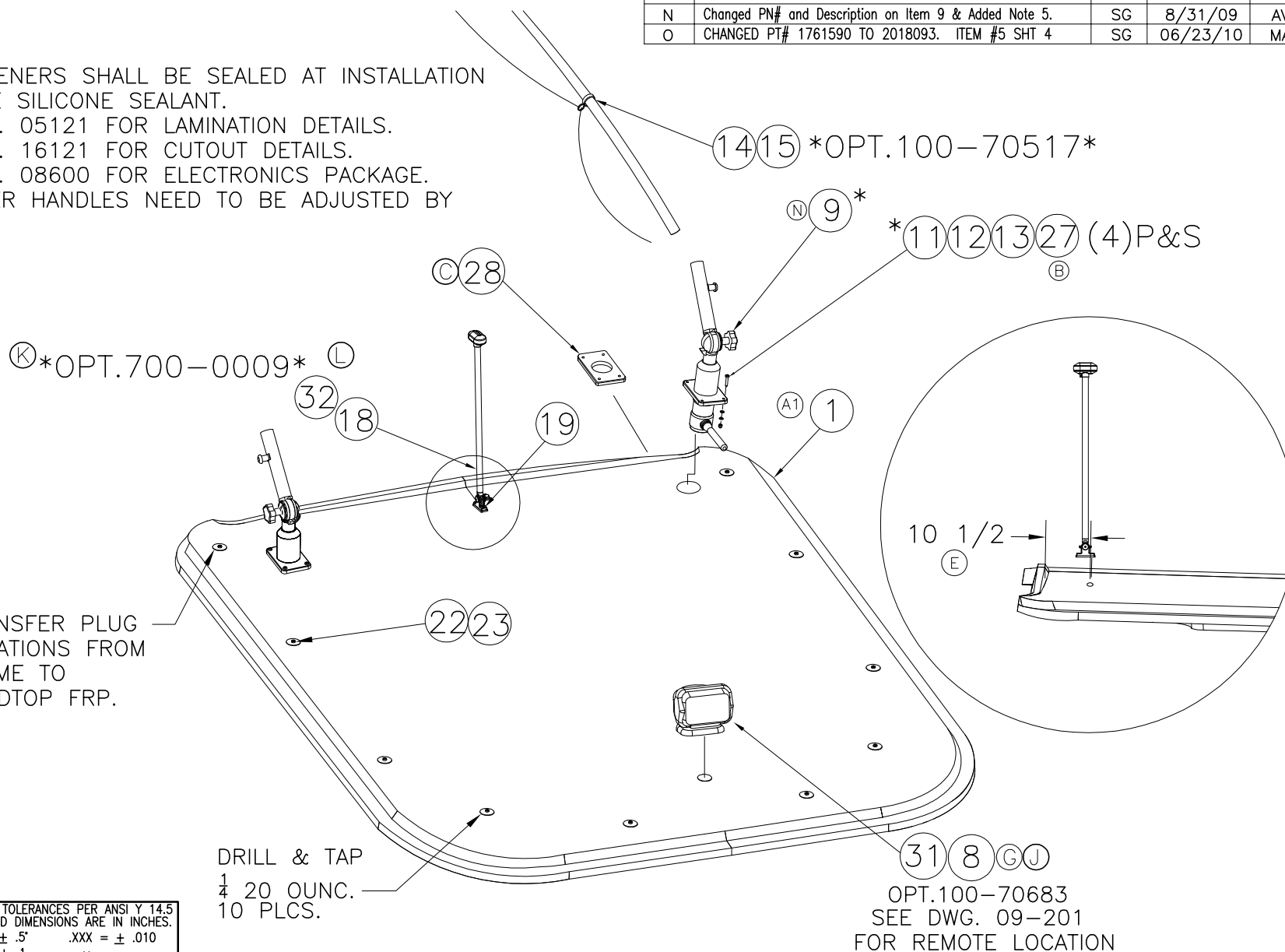
THIS DOCUMENT IS THE PROPERTY OF BOSTON WHALER, INC. MFG. DEPT., EDGEWATER, FLORIDA. ALL RIGHTS ARE RESERVED. THIS DOCUMENT AND INFORMATION CONTAINED MUST NOT BE COPIED OR DISCLOSED TO OTHERS WITHOUT WRITTEN PERMISSION OF BOSTON WHALER, INC.

DWG. NO:	REV.	CURRENT ECD
08401	0	10066990

REVISIONS					
REV.	DESCR.	BY	DATE	APPVD.	ECN NO.
N	Changed PN# and Description on Item 9 & Added Note 5.	SG	8/31/09	AVR	09035891
O	CHANGED PT# 1761590 TO 2018093. ITEM #5 SHT 4	SG	06/23/10	MAE	10066990

NOTES:

1. ALL FASTENERS SHALL BE SEALED AT INSTALLATION USING WHITE SILICONE SEALANT.
2. SEE DWG. 05121 FOR LAMINATION DETAILS.
3. SEE DWG. 16121 FOR CUTOUT DETAILS.
4. SEE DWG. 08600 FOR ELECTRONICS PACKAGE.
5. OUTRIGGER HANDLES NEED TO BE ADJUSTED BY 180deg.



INTERPRET DIMENSIONS AND TOLERANCES PER ANSI Y 14.5 UNLESS OTHERWISE SPECIFIED DIMENSIONS ARE IN INCHES.
 TOLERANCES: ANGLES = ± .5° .XXX = ± .010
 .X = ± .1 .XX = ± .03 X = ± 1/16
 DO NOT SCALE DRAWING



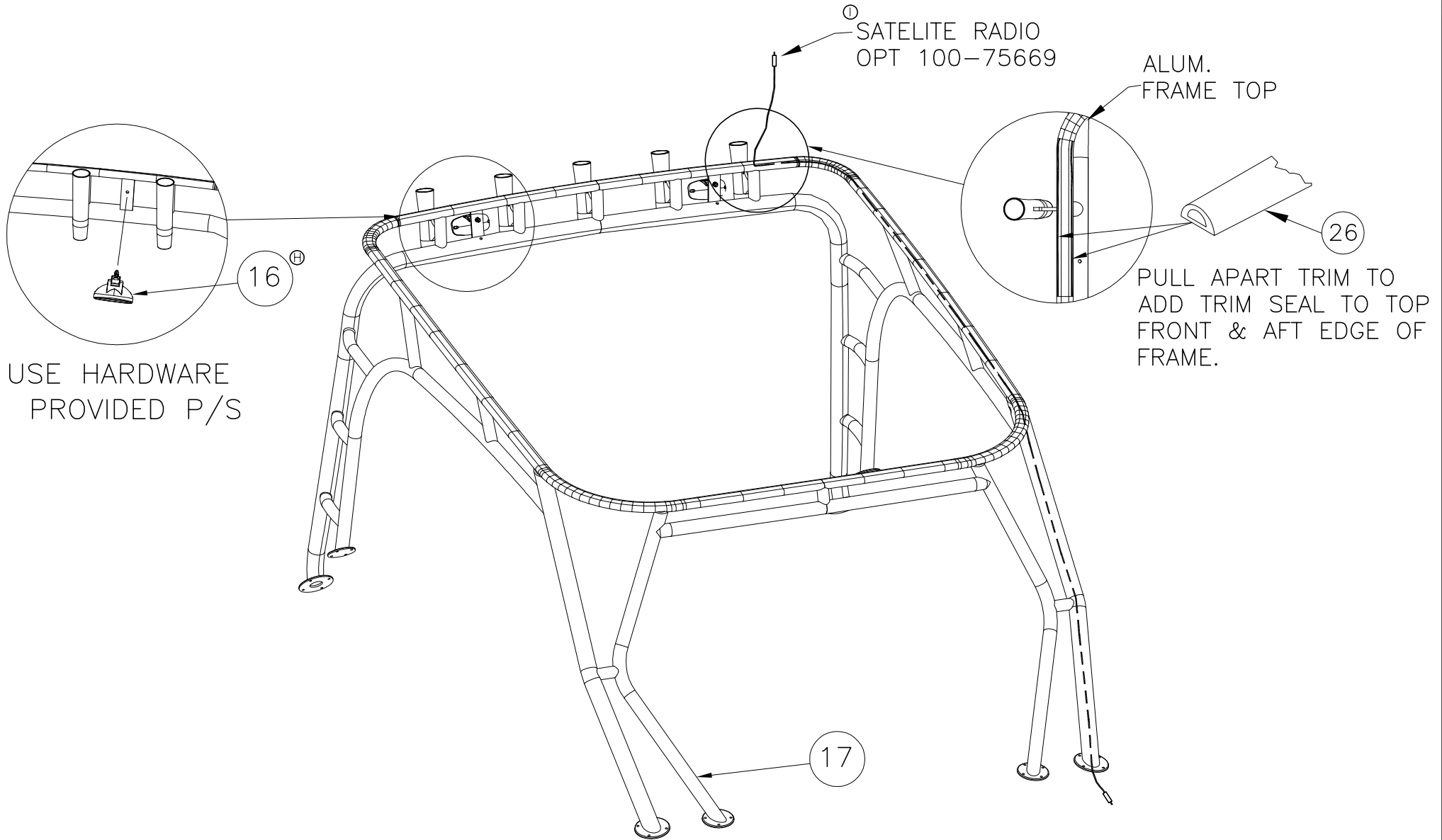
CHECKED: R.AVILA	DATE: 10/25/05	DRAWN: J.HALPIN	DATE: 10-25-05	SCALE: NONE	BOAT MODEL: 285CQ	MOLD NO.
APPD: K.RANIERI	DATE: 10/25/05	DWG. TITLE: HARDTOP SUB-ASSY.			INIT. REL. ECN NO: 050362	DWG. NO: 08401
DESIGN: V.KNIGHT	DATE: 10/28/05					SHT. NO. 1 OF 4
INT. ENG: M.GATICA	DATE: 10/28/05					

THIS DOCUMENT IS THE PROPERTY OF BOSTON WHALER, INC. MFG. DEPT., EDGEWATER, FLORIDA. ALL RIGHTS ARE RESERVED. THIS DOCUMENT AND INFORMATION CONTAINED MUST NOT BE COPIED OR DISCLOSED TO OTHERS WITHOUT WRITTEN PERMISSION OF BOSTON WHALER, INC.

DWG. NO:
08401

REV.
0

CURRENT ECD
10066990



INTERPRET DIMENSIONS AND TOLERANCES PER ANSI Y 14.5
UNLESS OTHERWISE SPECIFIED DIMENSIONS ARE IN INCHES.
TOLERANCES: ANGLES = ± .5° .XXX = ± .010
.X = ± .1 X = ± 1/16
.XX = ± .03

DO NOT SCALE DRAWING

DRAWN: J. HALPIN DATE: 10-25-05 SCALE: NONE

DWG. TITLE:
HARDTOP SUB-ASSY.

BOAT MODEL
285CQ

MOLD NO.

INIT. REL. ECN NO:
050362

DWG. NO:
08401

SHT. NO.
2 OF 4

THIS DOCUMENT IS THE PROPERTY OF BOSTON WHALER, INC. MFG. DEPT., EDGEWATER, FLORIDA. ALL RIGHTS ARE RESERVED. THIS DOCUMENT AND INFORMATION CONTAINED MUST NOT BE COPIED OR DISCLOSED TO OTHERS WITHOUT WRITTEN PERMISSION OF BOSTON WHALER, INC.

DWG. NO:
08401

REV.
0

CURRENT ECD
10066990

SPEAKERS AND SWITCH PANEL LOCATE BY CUTOUTS.

USE HARDWARE PROVIDED

GRILL REMOVED FOR VIEW OF FASTENERS.

TRACKS
TYP. P&S

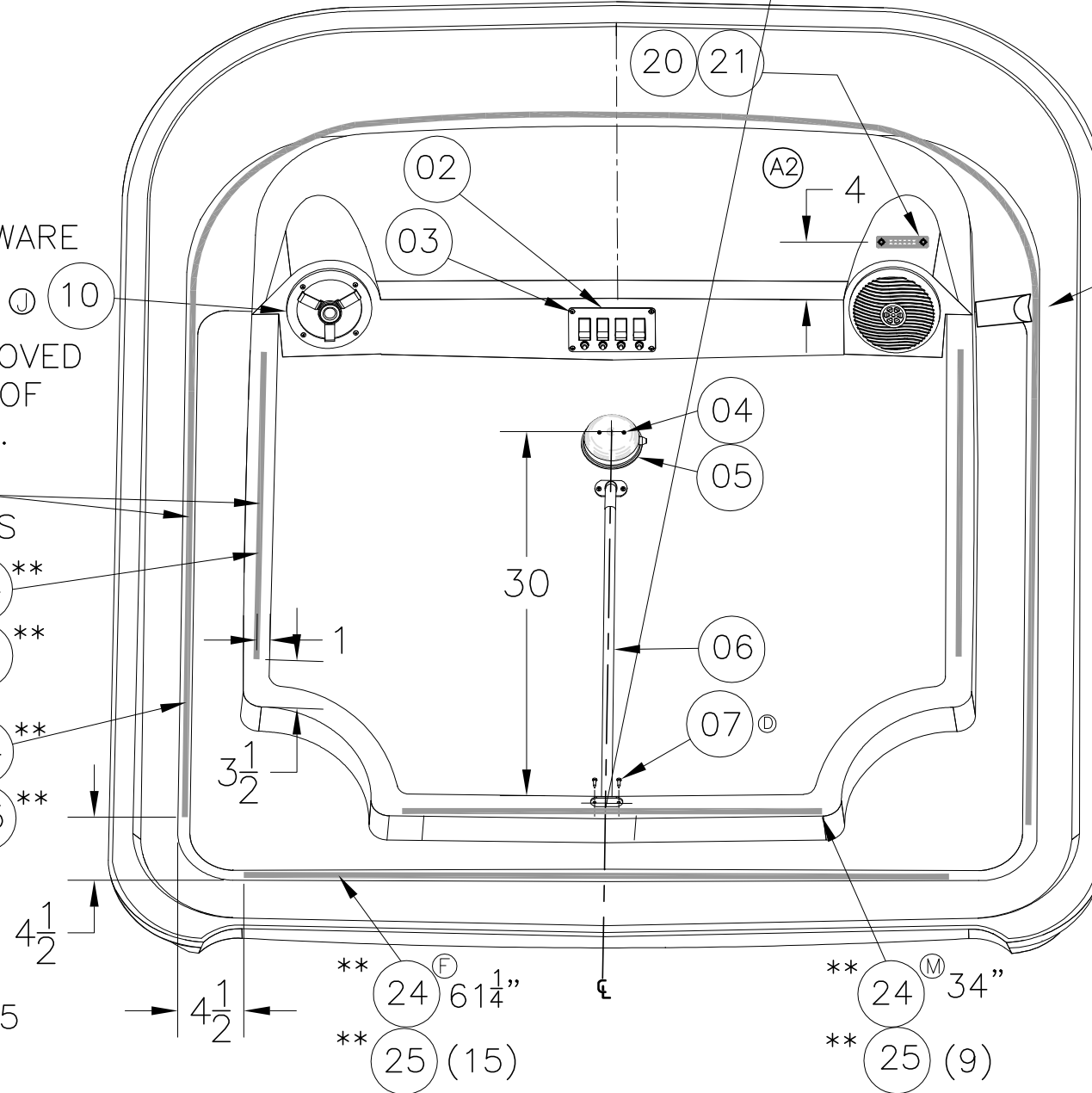
34" ^F 24 **

(9) 25 **

95" ^F 24 **

(26) 25 **

**OPT:
100-70525



29 (PORT)
30 (STBD) (D) (E)
SILICONE #29/30
IN PLACE, INSTALL
BEFORE #24



INTERPRET DIMENSIONS AND TOLERANCES PER ANSI Y 14.5 UNLESS OTHERWISE SPECIFIED DIMENSIONS ARE IN INCHES.
TOLERANCES: ANGLES = ± .5° .XXX = ± .010
.X = ± .1 X = ± 1/16
.XX = ± .03 X = ± 1/16
DO NOT SCALE DRAWING

DRAWN: J. HALPIN DATE: 10-25-05 SCALE: NONE
DWG. TITLE: HARDTOP SUB-ASSY.

BOAT MODEL: 285CQ
INIT. REL. ECN NO.: 050362

MOLD NO.:
DWG. NO.: 08401
SHT. NO.: 3 OF 4

THIS DOCUMENT IS THE PROPERTY OF BOSTON WHALER, INC. MFG. DEPT., EDGEWATER, FLORIDA. ALL RIGHTS ARE RESERVED. THIS DOCUMENT AND INFORMATION CONTAINED MUST NOT BE COPIED OR DISCLOSED TO OTHERS WITHOUT WRITTEN PERMISSION OF BOSTON WHALER, INC.

DWG. NO:
08401

REV.
0

CURRENT ECD
10066990

Parts List					
ITEM	QTY	U/M	DESCRIPTION	B.W.I.	NO.
Ⓐ	1	EA.	FBRGLS PART, BW285CQ-06 HARDTOP CMLPT	1817500	
	2	EA.	PANEL, BW255CQ-04 SWITCH HARDTOP	1754877	
	3	EA.	SCREW, TAPPING #8A X 1/2" PTH SC	1008812	
	4	EA.	SCREW, TAPPING #8A X 1" POH SC	1213065	
Ⓞ	5	EA.	LIGHT, SGL DOME SURF MNT SS WHT/RED W/SW	2018093	
	6	EA.	RAIL, BW285CQ-06 HARDTOP SS	1811448	
Ⓧ	7	EA.	SCREW, MACHINE #10-24 X 3/4" PPH SC SELF-TAP	1781122	
Ⓝ	8	EA.	SCREW, TAPPING #10A X 3/4" PTH SC	1008762	
Ⓝ	9	PR.	OUTRIGGERS, GRAND SLAM TOP MT ADJ W/ERGO HNDL	1939156	
Ⓝ	10	EA.	SPEAKER, JL 6.5"COAXIAL 150W/40HMS	1877940	
	11	EA.	SCREW, MACHINE #1/4-20 X 3.5" PPH SC	1091784	
	12	EA.	WASHER, LOCK/SPLIT 1/4" SC	1260595	
	13	EA.	NUT, ACORN #1/4-20 SC	1357813	
	14	PR.	OUTRIGGERS, TELESCOPING 15'SILV/SILV W/BAG	1775383	
	15	EA.	OUTRIGGERS, RIGGING KIT PREMIUM BLK	1683760	
Ⓜ	16	EA.	LIGHT, HALOGEN 12V 55W FLOOD WHT	1885625	
	17	EA.	FRAME, BW285CQ-06 H/T BRUSHED FINISH	1804159	
	18	EA.	LIGHT, NAV A/R 24"VERT MNT FOLDING	1751342	
	19	EA.	SCREW, TAPPING #8A X 3/4" PPH SC	1010651	
	20	EA.	BUSS BAR, MINIBUS BAR DC	1324334	
	21	EA.	SCREW, TAPPING #8A X 5/8" PTH SC	1010925	
	22	EA.	SCREW, MACHINE #1/4-20 X 1.75" PPH SC	1008606	
	23	EA.	WASHER, FENDER 1/4"X 1.25" SC	1260678	
Ⓜ	24	EA.	TRACK, PVC RIGID 10' WHT	1617398	
Ⓜ	25	EA.	SCREW, TAPPING #4A X 1/2" PFH SC	1010347	
	26	FT.	TRIM-SEAL, #X1333BT SELF-ADH BLK	1232156	
Ⓟ	27	EA.	WASHER, FLAT #1/4" SC	1260769	
Ⓞ	28	EA.	PLATE, BACKING GRAND SLAM OUTRIGGER ALUM PR	1773916	
Ⓞ	29	EA.	COVER, ABS BW285CQ-06 H/T WIRING PRT	1830932	
Ⓞ	30	EA.	COVER, ABS BW285CQ-06 H/T WIRING STBD	1830938	
Ⓞ	31	EA.	SPOTLIGHT, GOLIGHT HALOGEN 12V W/RF REMOTE	1840023	
Ⓞ	32	EA.	LIGHT, NAV A/R LED 30"VERT MNT FLDG W/DEUTSCH	1948715	



INTERPRET DIMENSIONS AND TOLERANCES PER ANSI Y 14.5 UNLESS OTHERWISE SPECIFIED DIMENSIONS ARE IN INCHES.
 TOLERANCES: ANGLES = ± .5° .xxx = ± .010
 .x = ± .1 X = ± 1/16
 .xx = ± .03 X = ± 1/16
 DO NOT SCALE DRAWING

DRAWN: J.HALPIN

DATE: 10-25-05

SCALE: NONE

BOAT MODEL

MOLD NO.

DWG. TITLE:

HARDTOP SUB-ASSY.

285CQ

INIT. REL. ECN NO:

050362

DWG. NO:

08401

SHT. NO.

4 OF 4

THIS DOCUMENT IS THE PROPERTY OF BOSTON WHALER, INC. MFG. DEPT., EDGEWATER, FLORIDA. ALL RIGHTS ARE RESERVED. THIS DOCUMENT AND INFORMATION CONTAINED MUST NOT BE COPIED OR DISCLOSED TO OTHERS WITHOUT WRITTEN PERMISSION OF BOSTON WHALER, INC.

DWG. NO:
07801

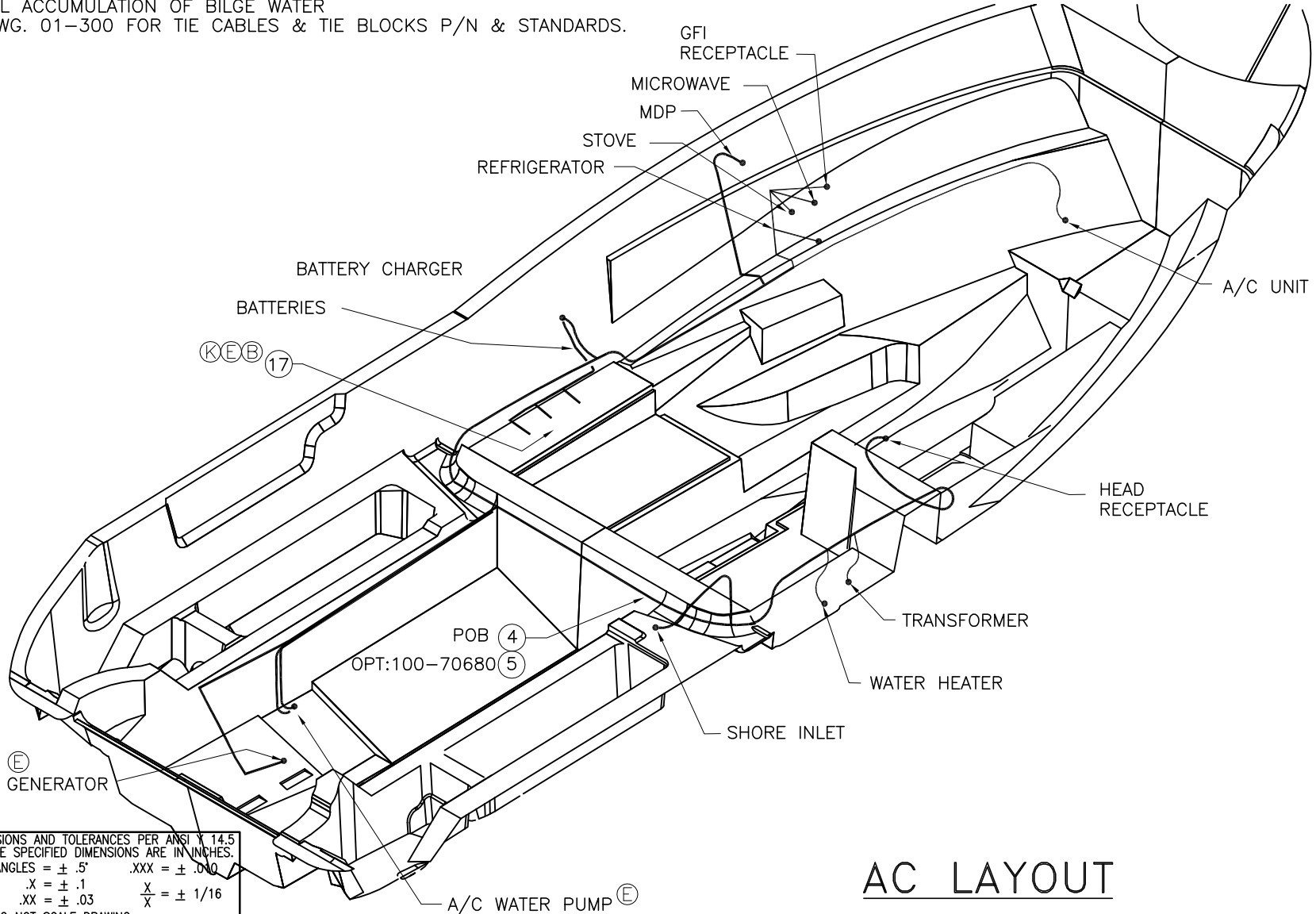
REV.
K

CURRENT ECD
09056007

NOTES


1. SECURE HARNESS w/TIE CABLES, TIE BLOCKS, & SCREWS ON 14" MAX CENTERS. INSTALLATION SHALL BEGIN AT "POB".
2. ALL TERMINAL CONNECTIONS SHALL BE CORROSION SEALED USING T-9 SPRAY.
3. MAKE CONNECTION AS HIGH AS POSSIBLE ABOVE NORMAL ACCUMULATION OF BILGE WATER
4. SEE DWG. 01-300 FOR TIE CABLES & TIE BLOCKS P/N & STANDARDS.

REVISIONS					
REV.	DESCR.	BY	DATE	APPVD.	ECN NO.
I	MYE'09" ITEM #10 WAS 1323427	SLJ	05/12/08	DH	08045123
J	REMOVE ITEMS 1,2,&11 AND ADD NOTES TO REFER DWG# 01-300 & UPDATED QTY ON ITEM 3	JF	06/12/08	AF	08065289
K	DELETED ITEM #18; #17 P/N WAS 1820253; UPDATED ALL SHEETS FOR MYE 2010 LAYOUT.	SBL	05/12/09		09056007



AC LAYOUT

INTERPRET DIMENSIONS AND TOLERANCES PER ANSI Y 14.5 UNLESS OTHERWISE SPECIFIED DIMENSIONS ARE IN INCHES.
 TOLERANCES: ANGLES = ± .5° .XXX = ± .000
 .X = ± .1 .XX = ± .03
 X = ± 1/16
 DO NOT SCALE DRAWING

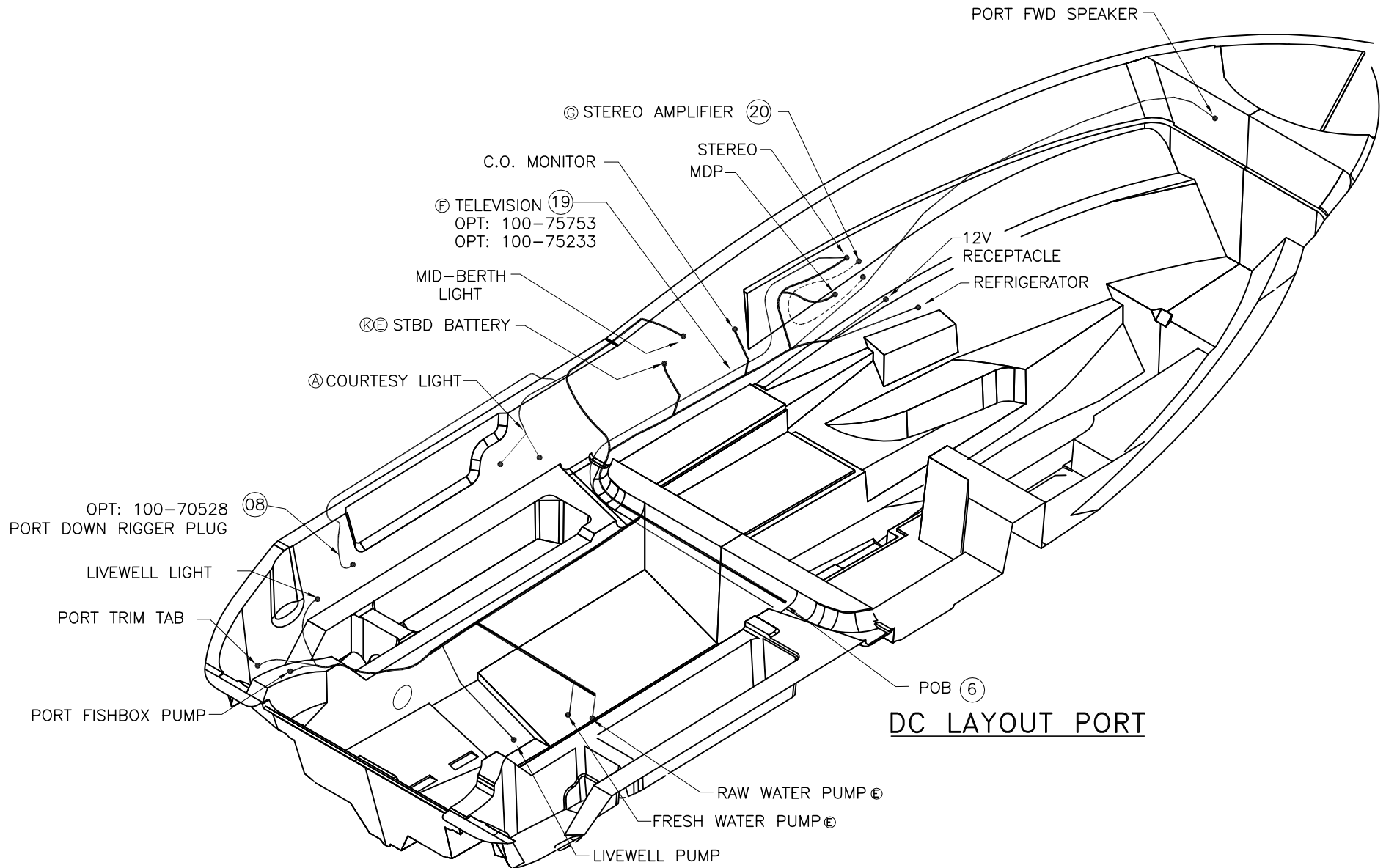
 <p>BOSTON WHALER PRODUCT DEV. & MFG. ENGINEERING GROUP</p>	CHECKED: A. DALE	DATE: 11/16/05	DRAWN: HAL READ	DATE: 11/04/05	SCALE: NONE	BOAT MODEL	MOLD NO.	
	APPD: K.R.	DATE: 11/16/05	DWG. TITLE:		285CQ			
	DESIGN: V.P.K.	DATE: 11/16/05	HARNESS INSTALLATION			INIT. REL. ECN NO:	DWG. NO:	SHT. NO.
	INT. ENG: M.G.	DATE: 11/16/05				050362	07801	1 of 5

THIS DOCUMENT IS THE PROPERTY OF BOSTON WHALER, INC. MFG. DEPT., EDGEWATER, FLORIDA. ALL RIGHTS ARE RESERVED. THIS DOCUMENT AND INFORMATION CONTAINED MUST NOT BE COPIED OR DISCLOSED TO OTHERS WITHOUT WRITTEN PERMISSION OF BOSTON WHALER, INC.

DWG. NO:
07801

REV.
K

CURRENT ECD
09056007



DC LAYOUT PORT



INTERPRET DIMENSIONS AND TOLERANCES PER ANSI Y 14.5 UNLESS OTHERWISE SPECIFIED DIMENSIONS ARE IN INCHES.
TOLERANCES: ANGLES = ± .5° .XXX = ± .010
.X = ± .1 .X = ± 1/16
.XX = ± .03

DO NOT SCALE DRAWING

DRAWN: HAL READ DATE: 11/04/05 SCALE: NONE
DWG. TITLE: HARNESS INSTALATION

BOAT MODEL
285CQ
INIT. REL. ECN NO:
050362

MOLD NO.
DWG. NO:
07801

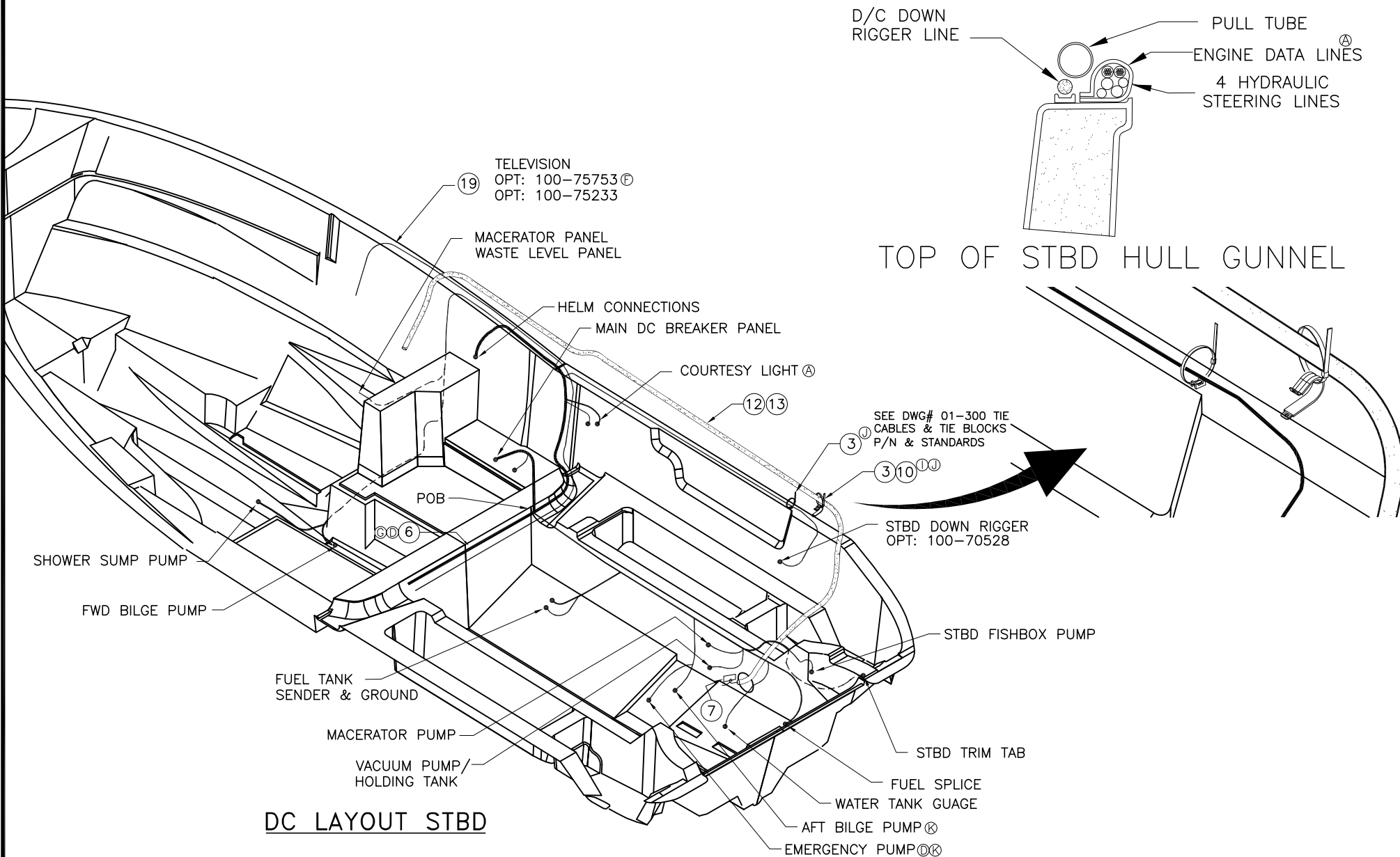
SHT. NO.
2 OF 5

THIS DOCUMENT IS THE PROPERTY OF BOSTON WHALER, INC. MFG. DEPT., EDGEWATER, FLORIDA. ALL RIGHTS ARE RESERVED. THIS DOCUMENT AND INFORMATION CONTAINED MUST NOT BE COPIED OR DISCLOSED TO OTHERS WITHOUT WRITTEN PERMISSION OF BOSTON WHALER, INC.

DWG. NO:
07801

REV.
K

CURRENT ECD
09056007



BOSTON WHALER
PRODUCT DEV. & MFG. ENGINEERING GROUP

INTERPRET DIMENSIONS AND TOLERANCES PER ANSI Y 14.5 UNLESS OTHERWISE SPECIFIED DIMENSIONS ARE IN INCHES.
TOLERANCES: ANGLES = ± .5° .XXX = ± .010
.X = ± .1
.XX = ± .03
X/X = ± 1/16
DO NOT SCALE DRAWING

DRAWN: HAL READ DATE: 11/04/05 SCALE: NONE

DWG. TITLE: HARNESS INSTALATION

BOAT MODEL

285CQ

MOLD NO.

INIT. REL. ECN NO:

050362

DWG. NO:

07801

SHT. NO.

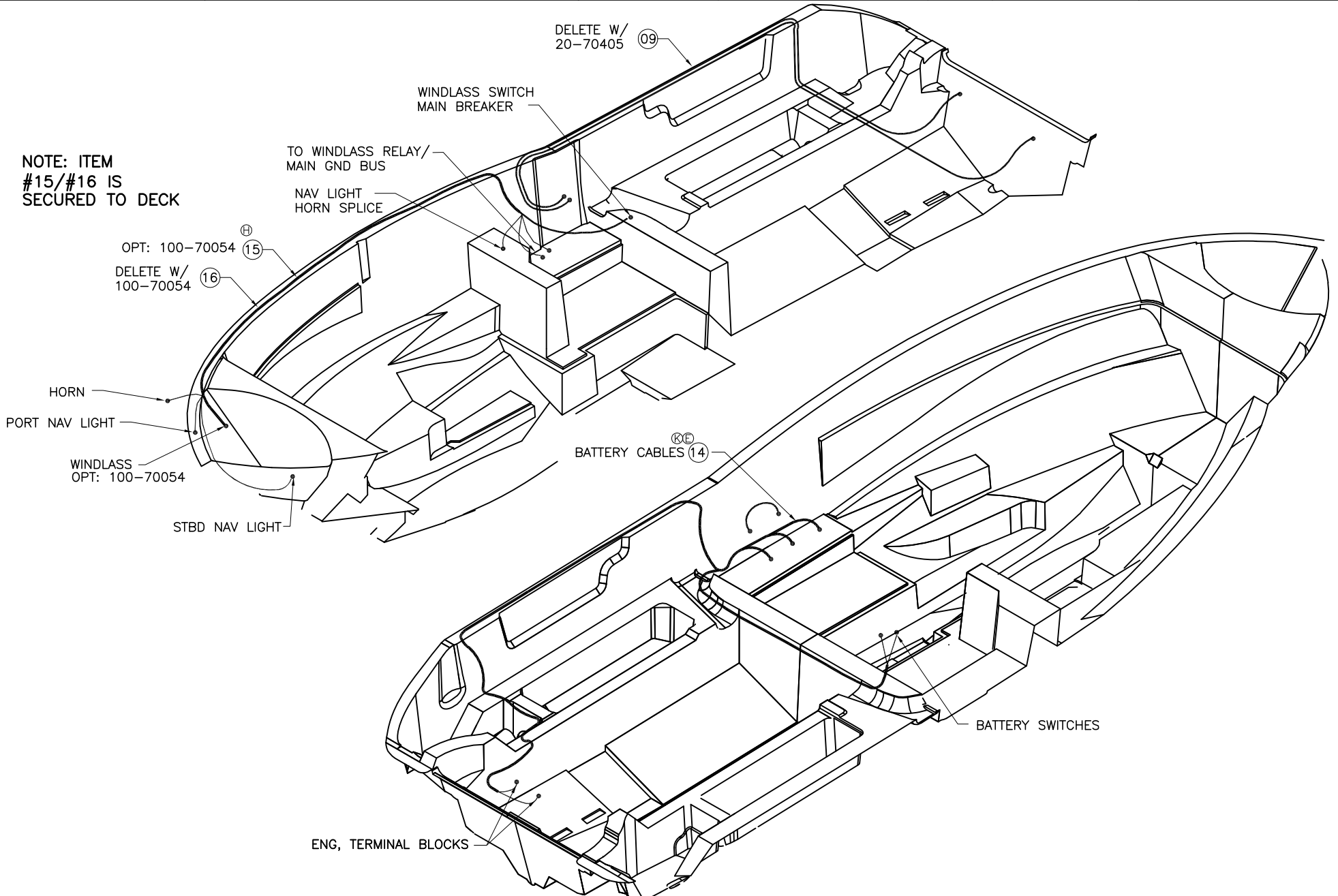
3 OF 5

THIS DOCUMENT IS THE PROPERTY OF BOSTON WHALER, INC. MFG. DEPT., EDGEWATER, FLORIDA. ALL RIGHTS ARE RESERVED. THIS DOCUMENT AND INFORMATION CONTAINED MUST NOT BE COPIED OR DISCLOSED TO OTHERS WITHOUT WRITTEN PERMISSION OF BOSTON WHALER, INC.

DWG. NO:
07801

REV.
K

CURRENT ECD
09056007



NOTE: ITEM #15/#16 IS SECURED TO DECK

OPT: 100-70054 (15)
DELETE W/ 100-70054 (16)

DELETE W/ 20-70405 (09)

BATTERY CABLES (14)

HORN
PORT NAV LIGHT
WINDLASS
OPT: 100-70054
STBD NAV LIGHT

WINDLASS SWITCH
MAIN BREAKER

TO WINDLASS RELAY/
MAIN GND BUS

NAV LIGHT
HORN SPLICE

BATTERY SWITCHES

ENG, TERMINAL BLOCKS



INTERPRET DIMENSIONS AND TOLERANCES PER ANSI Y 14.5 UNLESS OTHERWISE SPECIFIED DIMENSIONS ARE IN INCHES.
TOLERANCES: ANGLES = ± .5° .XXX = ± .010
.X = ± .1 .XX = ± .03
X/X = ± 1/16
DO NOT SCALE DRAWING

DRAWN: HAL READ DATE: 11/04/05 SCALE: NONE

DWG. TITLE: HARNESS INSTALATION

BOAT MODEL
285CQ

INIT. REL. ECN NO:
050362

MOLD NO.

DWG. NO:
07801

SHT. NO.
4 OF 5

PARTS LIST

	ITEM	STD.	OPT.	U/M	DESCRIPTION	B.W.I. NO.
ⓐ	01	100		EA.	TIE, CLIP BLK	1031764
ⓐ	02	150		EA.	TIE, CABLE 6" LG NYLON BLK	999672
ⓐ	03	15		EA.	SCREW, TAPPING #8A x 5/8" PTH	1010925
ⓔ	04	1	-1	EA.	HARNESS, BW285CQ-07 AC 120V BATT AFT	1851071
ⓔ	05		1	EA.	HARNESS, BW285CQ-07 AC 220V/50HZ BATT AFT	1878824
ⓔⓔⓔ	06	1		EA.	HARNESS, BW285CQ-08 DC BATT AFT	1898515
	07	1		EA.	TAG, BW DO NOT PULL RIGGING	0999755
	08	1		EA.	HARNESS, BW305CQ-04 30AMP RECEPTACLE	1755732
	09	2	-2	EA.	HARNESS, ENG MERC DATA 14-PIN 25'	1781337
ⓐ	10	15		EA.	CLAMP, LOOM 2" G32	1704652
ⓐ	11	100		EA.	TIE, CABLE 11" MED NYLON BLK	0157321
	12	30		FT	HOSE, 2"ID CABLE COVER (OUTBOARD) BLK	1042399
	13	36		FT	CORD, NYLON 1/8" WHT	1033372
ⓔ	14	1		EA.	CABLE, BATT SET BW285CQ-07 BATT AFT	1851072
ⓓ	15		1	EA.	HARNESS, BW285CQ-08 QUICK WNDLS	1896689
	16	1	-1	EA.	HARNESS, BW285CQ-06 DECK	1815081
ⓐⓑ	17	3		EA.	HARNESS, BATT CHARGER CRANKING 35A	1970228
ⓐⓑ	18	1		EA.	HARNESS, BW285CQ-06 BATT CHGR 5-15A	1810252
ⓕ	19		1	EA.	HARNESS, BW285CQ-08 DC 12V TV	1895206
Ⓒ	20			EA.	CABLE, RCA AUDIO 6' W/EFX-2 CONN W/ NOISE SUPP	1750880

THIS DOCUMENT IS THE PROPERTY OF BOSTON WHALER, INC. MFG. DEPT., EDGEWATER, FLORIDA. ALL RIGHTS ARE RESERVED. THIS DOCUMENT AND INFORMATION CONTAINED MUST NOT BE COPIED OR DISCLOSED TO OTHERS WITHOUT WRITTEN PERMISSION OF BOSTON WHALER, INC.

DWG. NO:
09701

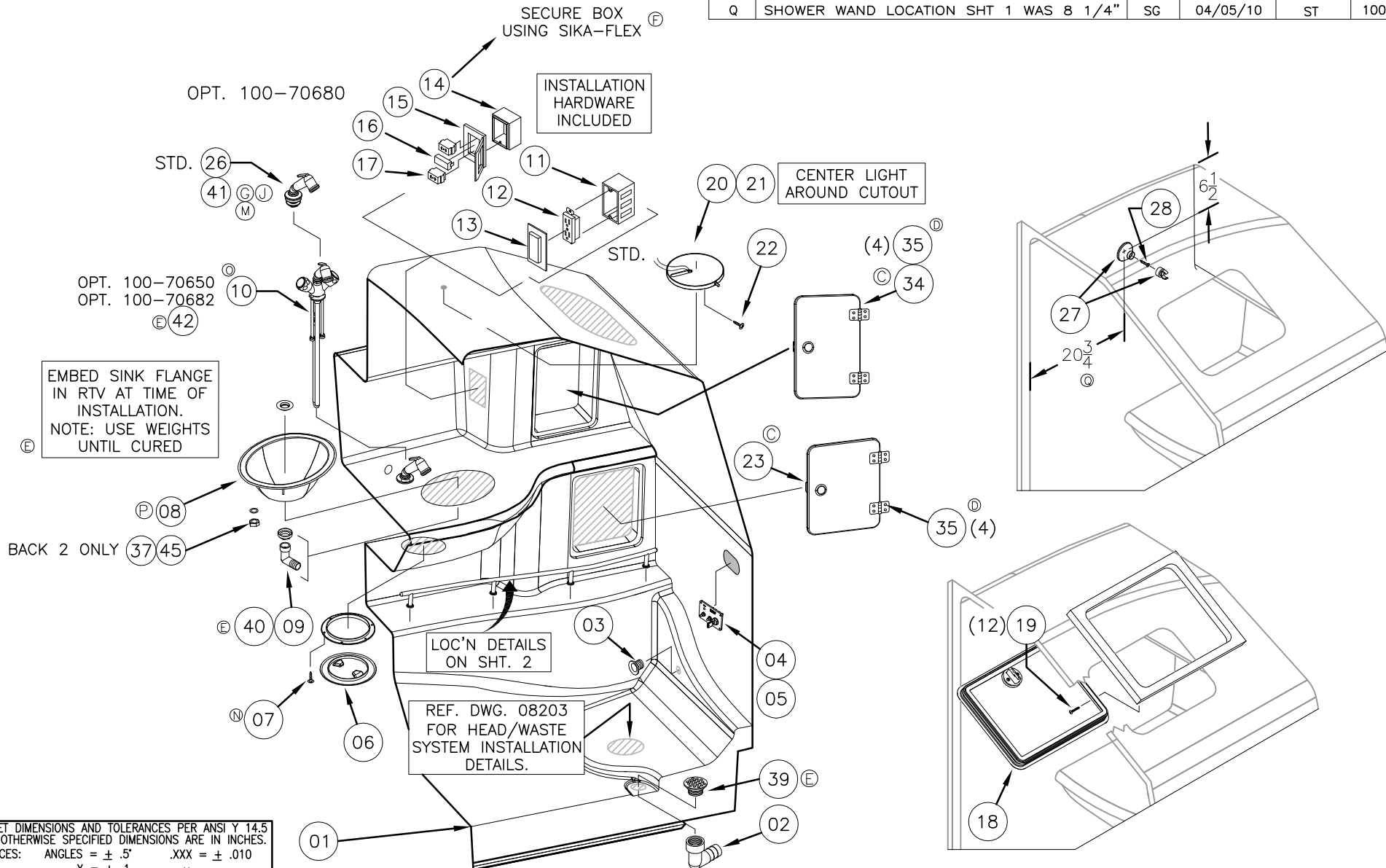
REV.
Q

CURRENT ECD
10036688

NOTES:

1.

REVISIONS					
REV.	DESCR.	BY	DATE	APPVD.	ECN NO.
P	REPLACED 623892 WITH 1916503	SG	09/29/09	ST	09096230
Q	SHOWER WAND LOCATION SHT 1 WAS 8 1/4"	SG	04/05/10	ST	10036688



INTERPRET DIMENSIONS AND TOLERANCES PER ANSI Y 14.5 UNLESS OTHERWISE SPECIFIED DIMENSIONS ARE IN INCHES.
 TOLERANCES: ANGLES = ± .5° .XXX = ± .010
 .X = ± .1 X = ± 1/16
 .XX = ± .03 X = ± 1/16
 DO NOT SCALE DRAWING



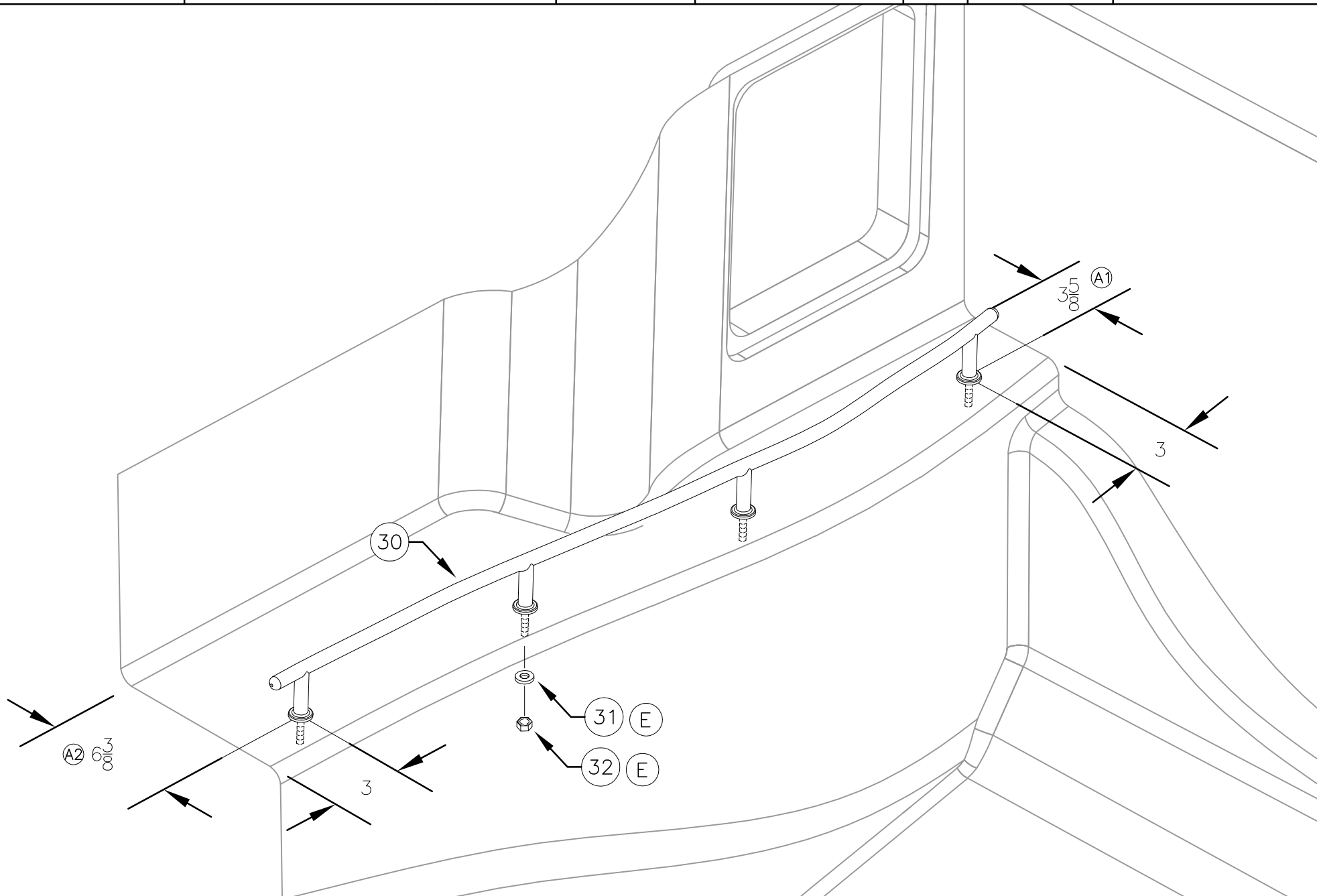
CHECKED: R. AVILA	DATE: 10/03/05	DRAWN: M. ZAFFUTO	DATE: 08/12/05	SCALE: NONE	BOAT MODEL	MOLD NO.
APPD: K. RANIERI	DATE: 10/03/05	DWG. TITLE:			285CQ	22K24900
DESIGN: V. KNIGHT	DATE: 10/03/05	HEAD / SHOWER STALL SUB-ASSY.			INIT. REL. ECN NO:	DWG. NO:
INT. ENG: M. GATICA	DATE: 10/03/05				050362	09701
					SHT. NO.	1 OF 3

THIS DOCUMENT IS THE PROPERTY OF BOSTON WHALER, INC. MFG. DEPT., EDGEWATER, FLORIDA. ALL RIGHTS ARE RESERVED. THIS DOCUMENT AND INFORMATION CONTAINED MUST NOT BE COPIED OR DISCLOSED TO OTHERS WITHOUT WRITTEN PERMISSION OF BOSTON WHALER, INC.

DWG. NO:
09701

REV.
Q

CURRENT ECD
10036688



INTERPRET DIMENSIONS AND TOLERANCES PER ANSI Y 14.5 UNLESS OTHERWISE SPECIFIED DIMENSIONS ARE IN INCHES.
 TOLERANCES: ANGLES = ± .5° .XXX = ± .010
 .X = ± .1 X = ± 1/16
 .XX = ± .03
 DO NOT SCALE DRAWING

DRAWN: M. ZAFFUTO DATE: 081305 SCALE: NONE

DWG. TITLE: HEAD / SHOWER STALL SUB-ASSY.

BOAT MODEL
285CQ

MOLD NO.
22K24900

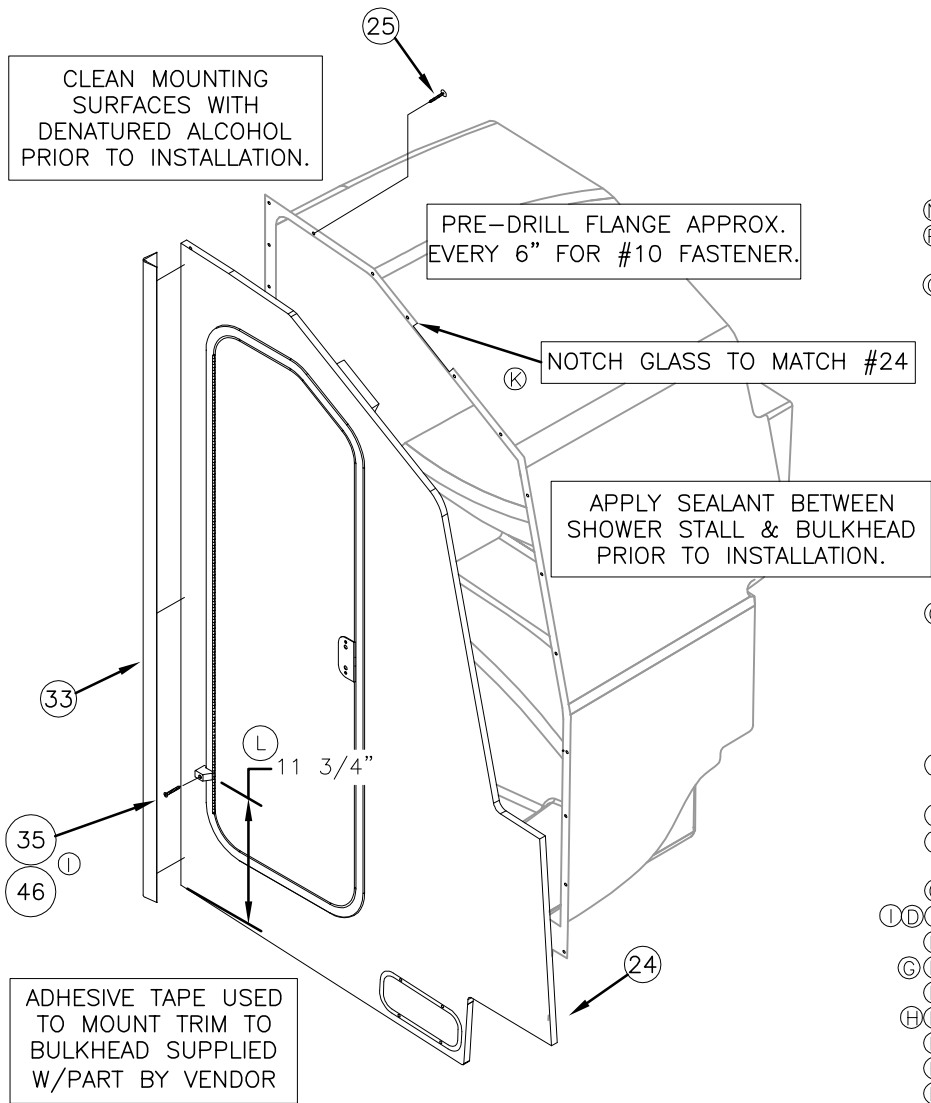
INIT. REL. ECN NO:
050362

DWG. NO:
09701

SHT. NO.
2 OF 3

PARTS LIST

ITEM	QTY.		U/M	DESCRIPTION	BWI NO.
	STD.	OPT.			
01	1	-	EA.	FIBERGLASS PART, SHOWER STALL / VANITY	22K24900
02	1	-	EA.	ADAPTER, PLAS 1.75" FPT X 1.5" BARB	1754295
03	1	-	EA.	DRAIN, 1" IMPACT W/O BARB BLK	1041953
04	1	-	EA.	PANEL, BW-03 VACU FLUSH W/OVBD DISCHARGE	1744850
05	4	-	EA.	SCREW, TAPPING #6A X 1/2" PTH SC	1008796
06	1	-	EA.	ACCESS PLATE, POLYPROP TWIST-OUT 5" WHT BWI	1016153
(N) 07	6	-	EA.	SCREW, TAPPING #8A X 5/8" PPH SC	1010677
(P) 08	1	-	EA.	SINK, SS GALLEY/HEAD SATIN FINISH	0623892
09	1	-	EA.	DRAIN, W/PLUG 100DEG 1" BARB WHT	1485648
(D) 10	-	1	EA.	SHOWER ASSY, FAUCET W/PU	1908577
11	1	-1	EA.	BOX, RECEPTACLE BOX ONLY	0145128
12	1	-1	EA.	RECEPTACLE, DUPLEX WHT	0324038
13	1	-1	EA.	COVER PLATE, SS GFI DUPLEX WATERPROOF RECEPT	1128156
14	-	1	EA.	BOX, MOUNTING 3-MODULE RECT BLK	1341791
15	-	1	EA.	COVER PLATE, WATERPROOF RECEPT W/GRID 3-GANG	1538727
16	-	1	EA.	SWITCH, BLANK GEWISS 1-GANG	1212893
17	-	2	EA.	RECEPTACLE, GEWISS SGL USA/EURO 125/250V	1458462
18	1	-	EA.	DOOR, ACRY BW305CQ-04 ACCESS HEAD/ELECT	1758107
19	12	-	EA.	SCREW, TAPPING #6A X 1" PFH SC	1010354
20	1	-	EA.	LIGHT, TUNA W/SW 12V SAT/NCKL	1758433
21	1	-	EA.	BULB, XENON 12V/20W	1448471
22	2	-	EA.	SCREW, TAPPING #8A X 5/8" PTH SC	1010925
(C) 23	1	-	EA.	DOOR, HDPE BW285CQ-06 HEAD LWR VAN	1814595
24	1	-	EA.	DOOR, BW285CQ-06 HEAD ALUM FRAME/WOOD	1811503
25	25	-	EA.	SCREW, TAPPING #10A X 3/4" PTH SC	1008762
26	1	-1	EA.	SHOWER, SPRAY NOZZLE ANGLE BASE W/CHR HOSE	1612910
27	1	-	EA.	SHOWER, SWIVEL WALL MT ONLY CHROME (SCANDVIK)	0722033
28	1	-	EA.	SCREW, TAPPING #10A X 1.25" PFH SC	1259415
(B) 29	12	-	EA.	SCREW, TAPPING #8A X 1/2" PFH SC	1008390
30	1	-	EA.	RAIL, GRAB BW285CQ-06 HEAD VAN	1811831
(E) 31	4	-	EA.	WASHER, FLAT #5/16" SC	1260785
(E) 32	4	-	EA.	NUT, HEX NYLON LOCK #5/16-18 SC	1007814
33	1	-	EA.	TRIM, ALUM 2" X 2" WHT	1811830
(C) 34	1	-	EA.	DOOR, HDPE BW285CQ-06 HEAD UPR VAN	1814596
(D) 35	9	-	EA.	SCREW, TAPPING #8A X 1" POH SC	1213065
(D) 36	-	-	EA.	NUT, HEX NYLON LOCK #8-32 SC	1260728
(G) 37	2	-	EA.	WASHER, FLAT #10 SC	1260751
(D) 38	-	-	EA.	SCREW, TAPPING #8A X 1" POH SC	1213065
(H) 39	1	-	EA.	DRAIN, GRATE 1.75" MPT X-LONG W/NUT SS	1758738
(E) 40	0	-	FT.	HOSE, GEN PURPOSE 1"	0196667
(E) 41	0	-	FT.	TUBING, SEATECH 15MM X 11MM X 250' BLUE	1210160
(E) 42	-	0	FT.	TUBING, SEATECH 15MM X 11MM X 250' RED	1210194
(M) 43	1	-	EA.	COUPLING, SEATECH EQUAL 15MM	1224526
(M) 44	1	-	EA.	ADAPTER, SEATECH 3/8" BSP MALE 15MM STEM PLAS	1543289
(G) 45	2	-	EA.	NUT, HEX #10-24 SS	0152629
(I) 46	1	-	EA.	BLOCK, HDPE BW305CQ-05 DOOR STOP	1806899



THIS DOCUMENT IS THE PROPERTY OF BOSTON WHALER, INC. MFG. DEPT., EDGEWATER, FLORIDA. ALL RIGHTS ARE RESERVED. THIS DOCUMENT AND INFORMATION CONTAINED MUST NOT BE COPIED OR DISCLOSED TO OTHERS WITHOUT WRITTEN PERMISSION OF BOSTON WHALER, INC.

DWG. NO:
06151

REV.
AE

CURRENT ECD
10026565

NOTES:

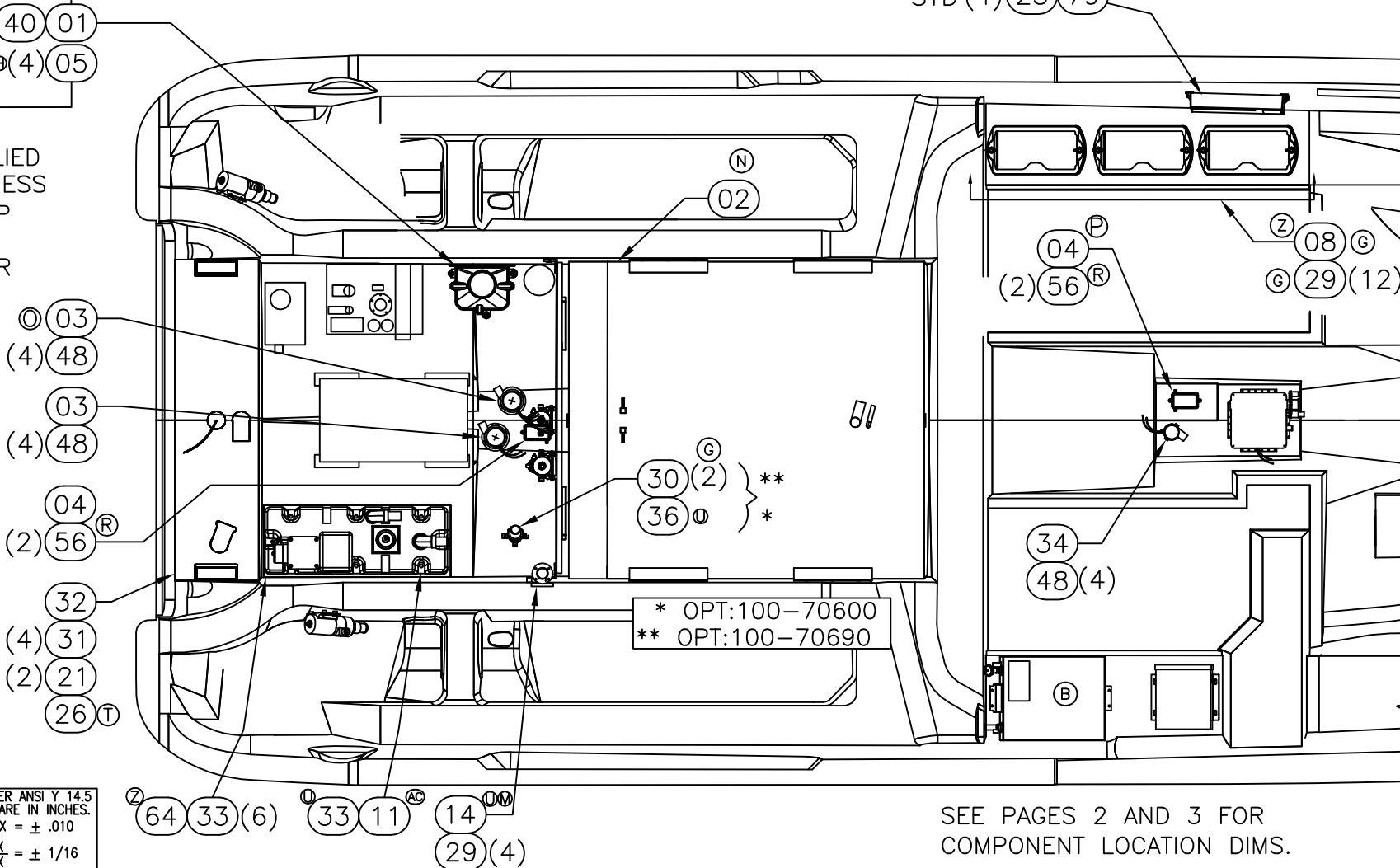
1. REF. DWG. 06101 FOR THRU HULLS LOC'N & INSTALLATION, BOW EYE LOC'N & INSTALLATION.
2. SEE PAGE 4 FOR FUEL TANK PREPARATION & INSTALLATION
3. SEE PAGE 7 & 8 FOR GENERATOR OPTIONS

REVISIONS					
REV.	DESCR.	BY	DATE	APPVD.	ECN NO.
AC	ITEM #11 WAS PN# 1109545	SLJ	02/01/10	RW	10016480
AD	ITEM #12 WAS PN# 1142496, #13 WAS 1156728	SLJ	02/02/10	HW	10016503
AE	ITEM #17 WAS PN# 1759849, #18 WAS 1789421. DELETED DIM, ADDED (CENTER) SHT 3	SLJ	04/05/10	ST	10026565

STD. & OPT
100-70402
DEL. W/OPTS
020-70405
020-79999

STD (4) 25 79^Z

(AA)
SECURE SUPPLIED
FUSE TO HARNESS
IN VERTICAL/UP
POSITION TO
PREVENT WATER
INTRUSION



SEE PAGES 2 AND 3 FOR
COMPONENT LOCATION DIMS.

INTERPRET DIMENSIONS AND TOLERANCES PER ANSI Y 14.5
UNLESS OTHERWISE SPECIFIED DIMENSIONS ARE IN INCHES.
TOLERANCES: ANGLES = ± .5° .XXX = ± .010
.X = ± .1 .XX = ± .03 X = ± 1/16
DO NOT SCALE DRAWING



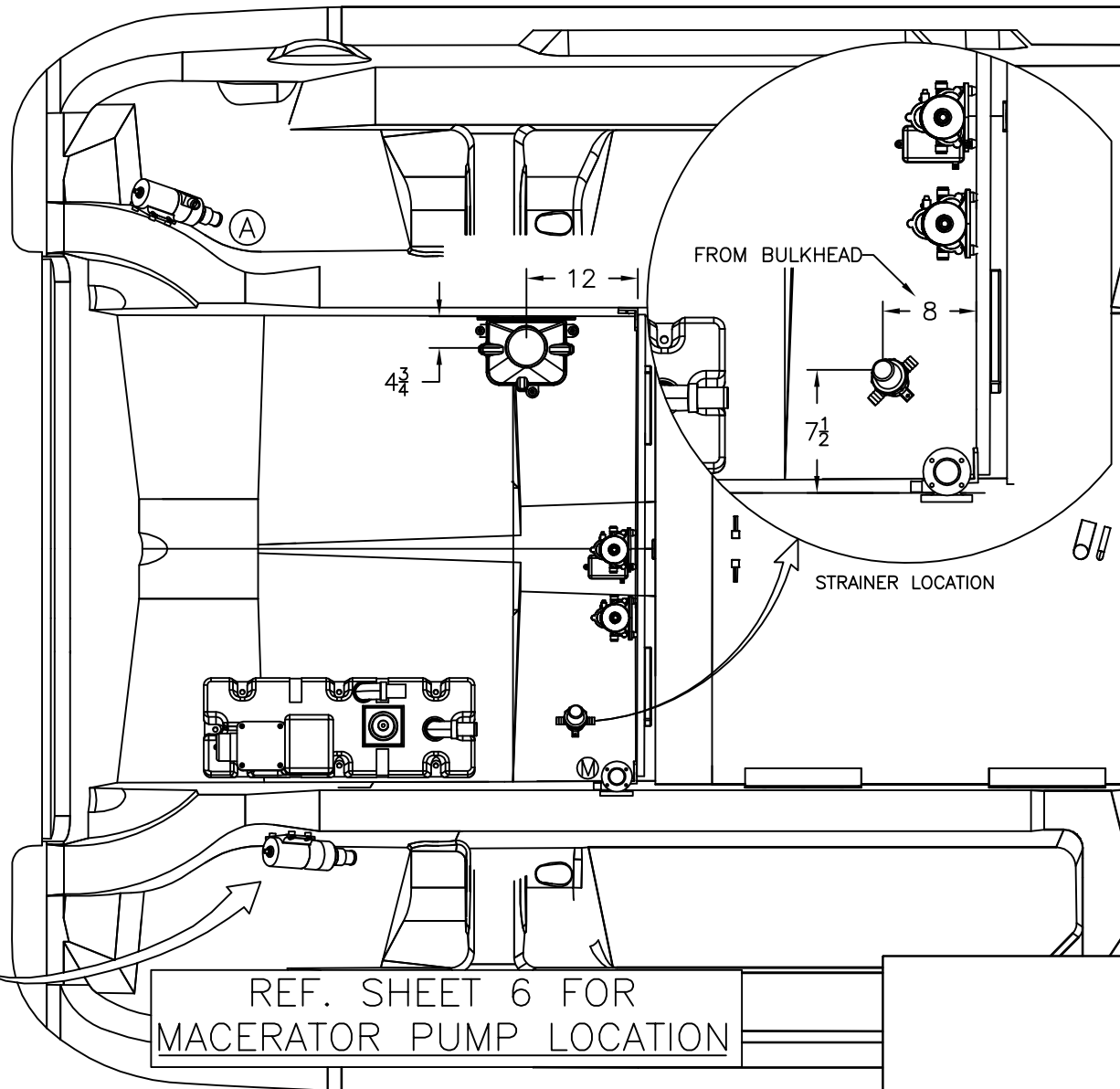
CHECKED: R. AVILA	DATE: 8/9/05	DRAWN: M.ZAFFUTO	DATE: 07/15/05	SCALE: NONE	BOAT MODEL 285CQ	MOLD NO.
APPD: K. RANIERI	DATE: 8/9/05	DWG. TITLE: HULL OUTFIT & EQUIPMENT LOCATION			INIT. REL. ECN NO: 050362	DWG. NO: 06151
DESIGN: V.P. KNIGHT	DATE: 8/9/05				SHT. NO. 1 of 9	
INT. ENG: M. GATICA	DATE: 8/9/05					

THIS DOCUMENT IS THE PROPERTY OF BOSTON WHALER, INC. MFG. DEPT., EDGEWATER, FLORIDA. ALL RIGHTS ARE RESERVED. THIS DOCUMENT AND INFORMATION CONTAINED MUST NOT BE COPIED OR DISCLOSED TO OTHERS WITHOUT WRITTEN PERMISSION OF BOSTON WHALER, INC.

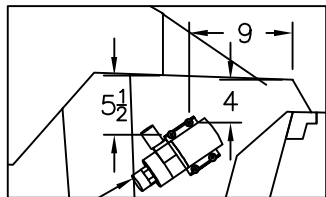
DWG. NO:
06151

REV.
AE

CURRENT ECD
10026565

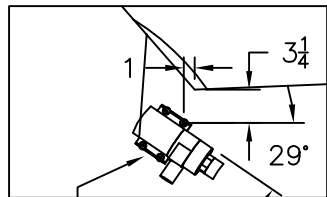


ⓑ ⓐ PORT
(LOOKING STBD)



ⓐ 14 P/S
ⓑ 29 (4)

STBD.
(LOOKING PORT)



ⓐ 14 P/S
ⓑ 29 (4)

FISHWELL PUMP LOC'NS.

SEE DWG. 06-152 FOR FISHWELL PUMP SYS. INSTALL'N.



INTERPRET DIMENSIONS AND TOLERANCES PER ANSI Y 14.5 UNLESS OTHERWISE SPECIFIED DIMENSIONS ARE IN INCHES.

TOLERANCES: ANGLES = ± .5° .XXX = ± .010
.X = ± .1 X = ± 1/16
.XX = ± .03

DO NOT SCALE DRAWING

DRAWN: M.ZAFFUTO

DATE: 07/15/05

SCALE: NONE

BOAT MODEL

285CQ

MOLD NO.

DWG. TITLE:

HULL OUTFIT & EQUIPMENT LOCATION

INIT. REL. ECN NO:

050362

DWG. NO:

06151

SHT. NO.

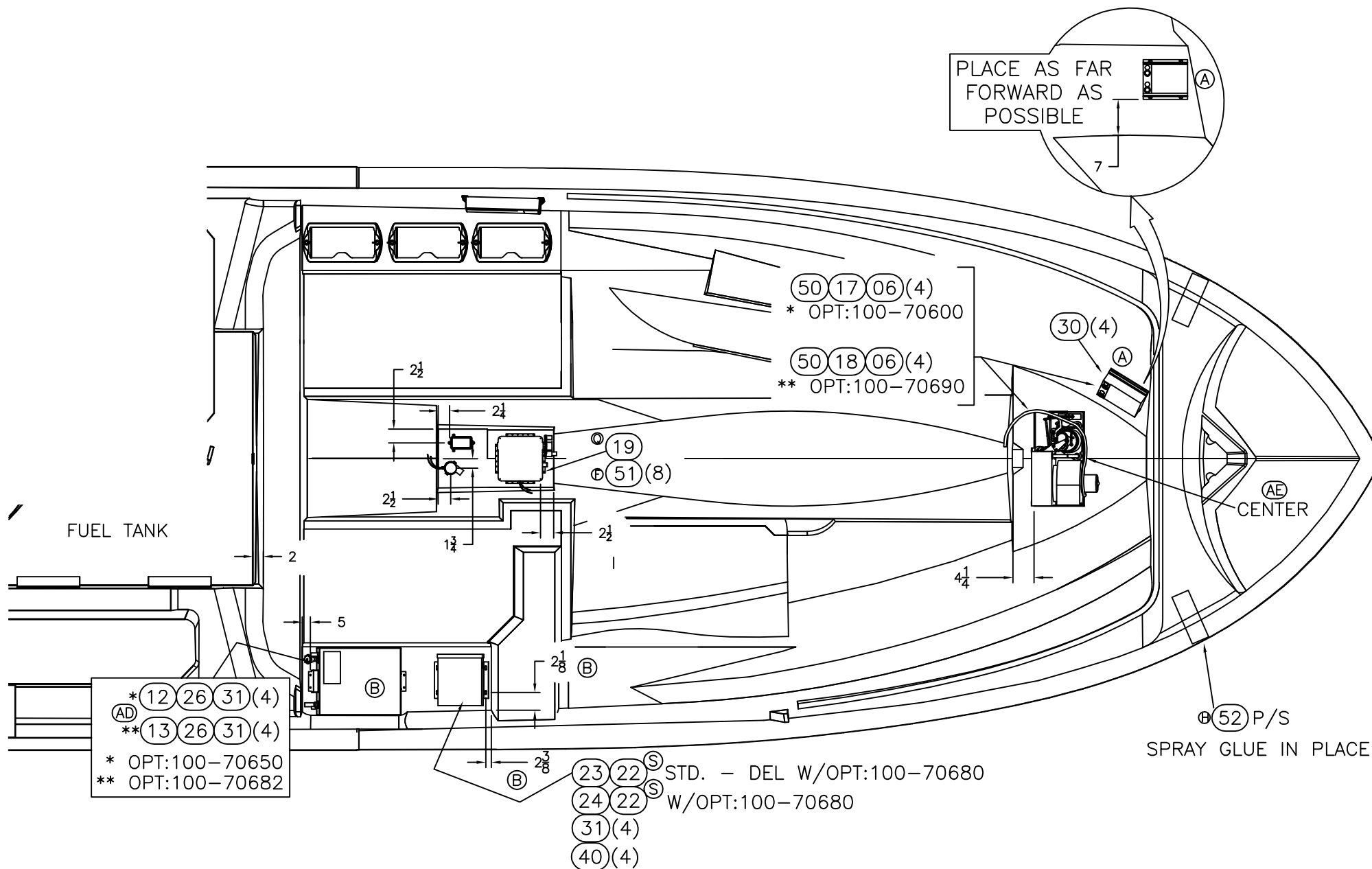
2 OF 9

THIS DOCUMENT IS THE PROPERTY OF BOSTON WHALER, INC. MFG. DEPT., EDGEWATER, FLORIDA. ALL RIGHTS ARE RESERVED. THIS DOCUMENT AND INFORMATION CONTAINED MUST NOT BE COPIED OR DISCLOSED TO OTHERS WITHOUT WRITTEN PERMISSION OF BOSTON WHALER, INC.

DWG. NO:
06151

REV.
AE

CURRENT ECD
10026565



INTERPRET DIMENSIONS AND TOLERANCES PER ANSI Y 14.5 UNLESS OTHERWISE SPECIFIED DIMENSIONS ARE IN INCHES.
TOLERANCES: ANGLES = ± .5° .XXX = ± .010
.X = ± .1 X = ± 1/16
.XX = ± .03
DO NOT SCALE DRAWING

DRAWN: M.ZAFFUTO

DATE: 07/15/05

SCALE: NONE

BOAT MODEL

MOLD NO.

285CQ

DWG. TITLE:

HULL OUTFIT & EQUIPMENT LOCATION

INIT. REL. ECN NO:

DWG. NO:

SHT. NO.

050362

06151

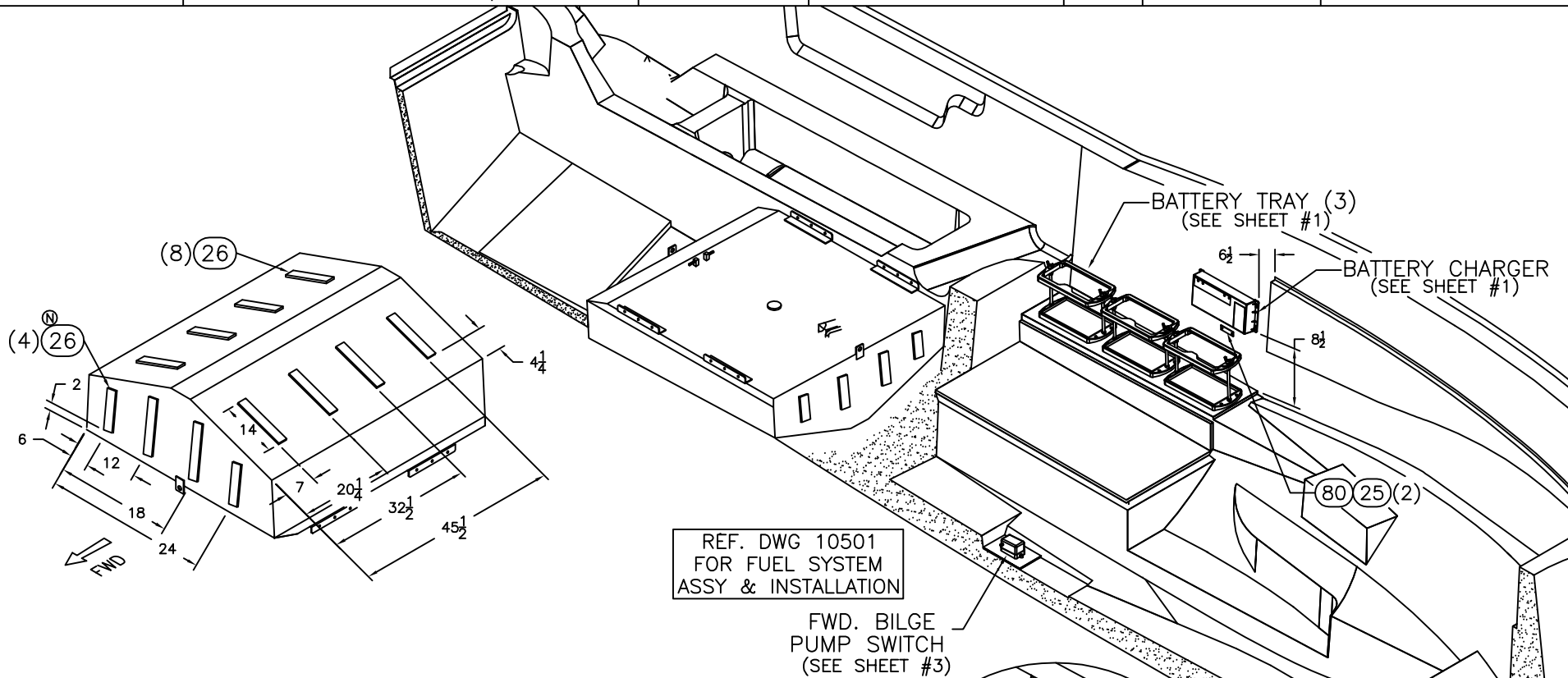
3 of 9

THIS DOCUMENT IS THE PROPERTY OF BOSTON WHALER, INC. MFG. DEPT., EDGEWATER, FLORIDA. ALL RIGHTS ARE RESERVED. THIS DOCUMENT AND INFORMATION CONTAINED MUST NOT BE COPIED OR DISCLOSED TO OTHERS WITHOUT WRITTEN PERMISSION OF BOSTON WHALER, INC.

DWG. NO:
06151

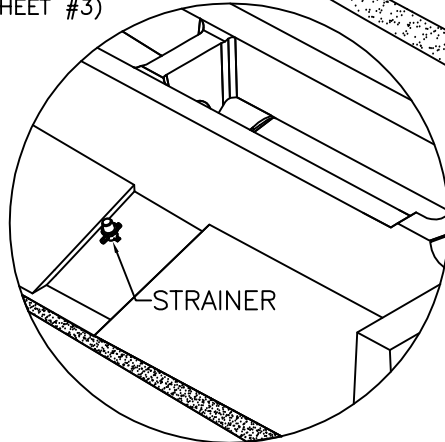
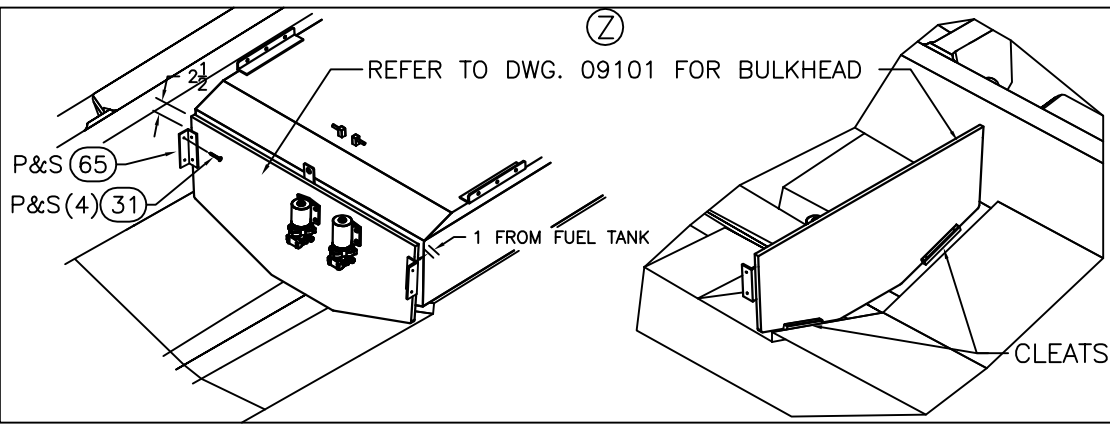
REV.
AE

CURRENT ECD
10026565



REF. DWG 10501
FOR FUEL SYSTEM
ASSY & INSTALLATION

FWD. BILGE
PUMP SWITCH
(SEE SHEET #3)



INTERPRET DIMENSIONS AND TOLERANCES PER ANSI Y 14.5 UNLESS OTHERWISE SPECIFIED DIMENSIONS ARE IN INCHES.
TOLERANCES: ANGLES = ± .5° .XXX = ± .010
.X = ± .1 X = ± 1/16
.XX = ± .03
DO NOT SCALE DRAWING

DRAWN: M.ZAFFUTO DATE: 07/15/05 SCALE: NONE
DWG. TITLE: HULL OUTFIT & EQUIPMENT LOCATION

BOAT MODEL
285CQ
INIT. REL. ECN NO:
050362

MOLD NO.
DWG. NO:
06151

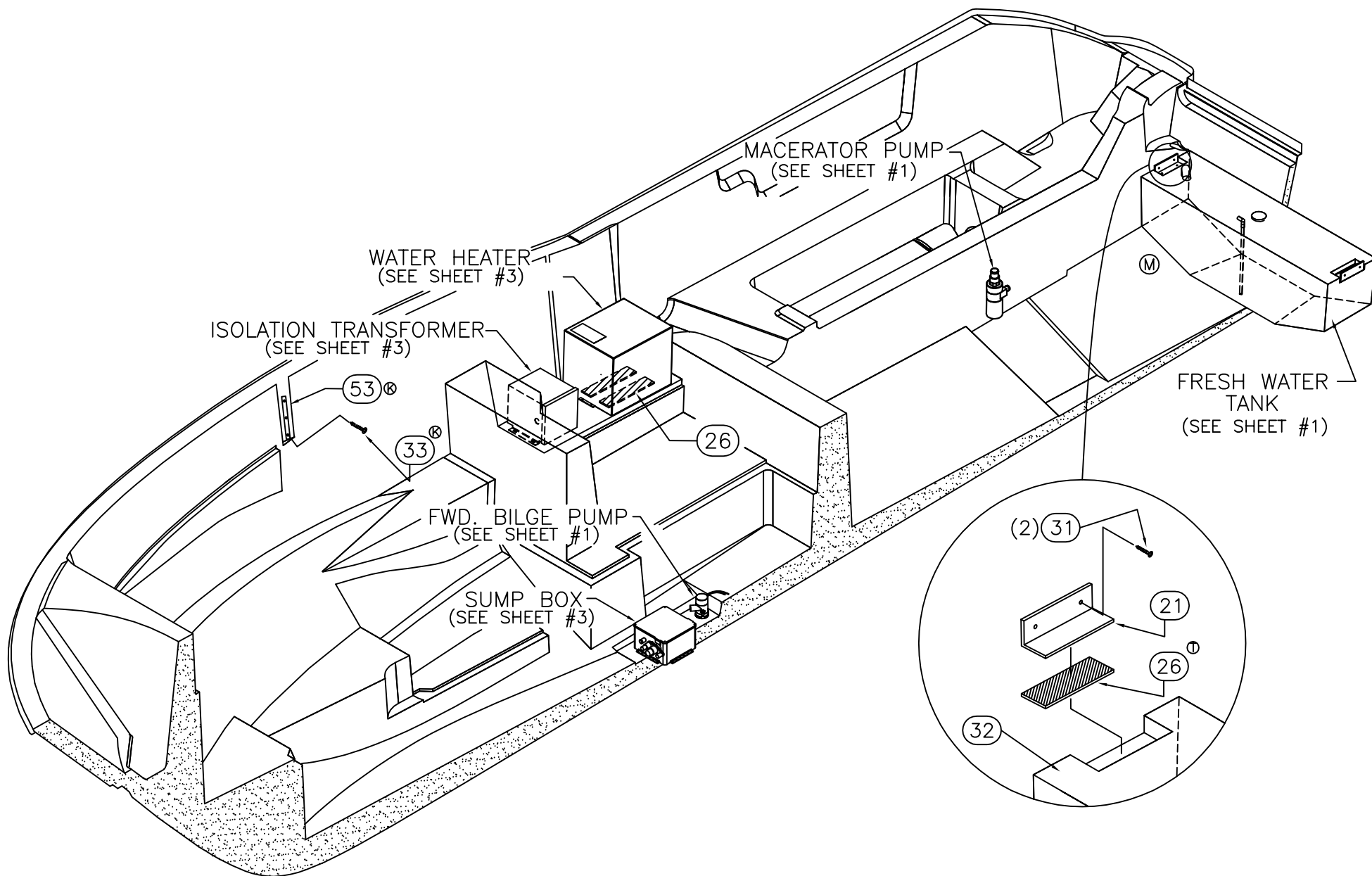
SHT. NO.
4 of 9

THIS DOCUMENT IS THE PROPERTY OF BOSTON WHALER, INC. MFG. DEPT., EDGEWATER, FLORIDA. ALL RIGHTS ARE RESERVED. THIS DOCUMENT AND INFORMATION CONTAINED MUST NOT BE COPIED OR DISCLOSED TO OTHERS WITHOUT WRITTEN PERMISSION OF BOSTON WHALER, INC.

DWG. NO:
06151

REV.
AE

CURRENT ECD
10026565



INTERPRET DIMENSIONS AND TOLERANCES PER ANSI Y 14.5 UNLESS OTHERWISE SPECIFIED DIMENSIONS ARE IN INCHES.

TOLERANCES: ANGLES = ± .5° .XXX = ± .010
.X = ± .1 X = ± 1/16
.XX = ± .03 X = ± 1/16

DO NOT SCALE DRAWING

DRAWN: M.ZAFFUTO

DATE: 07/15/05

SCALE: NONE

BOAT MODEL

MOLD NO.

285CQ

DWG. TITLE:

HULL OUTFIT & EQUIPMENT LOCATION

INIT. REL. ECN NO:

DWG. NO:

SHT. NO.

050362

06151

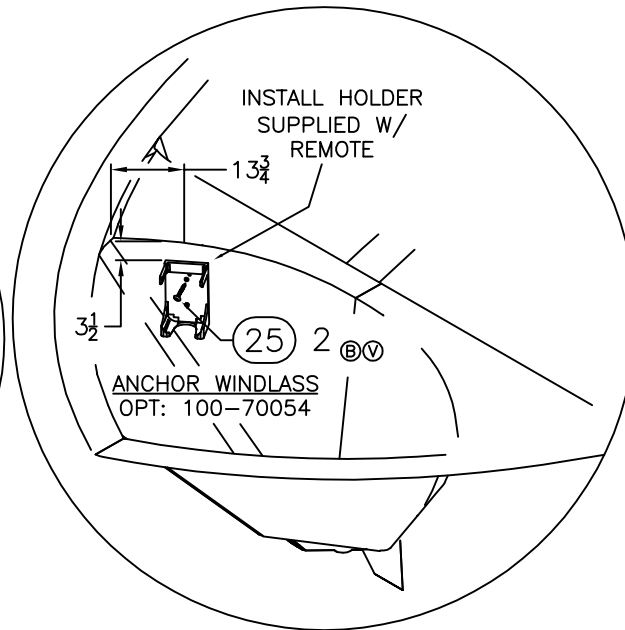
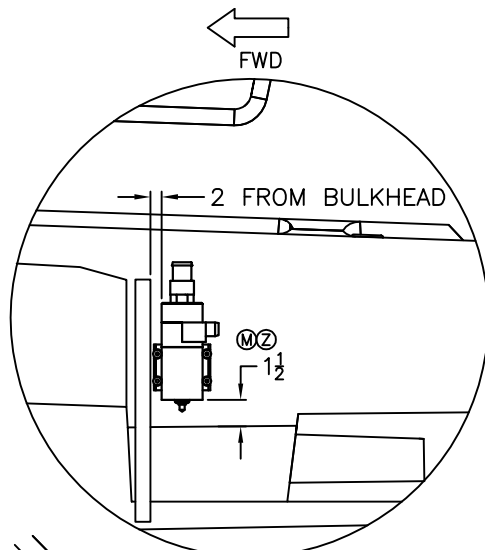
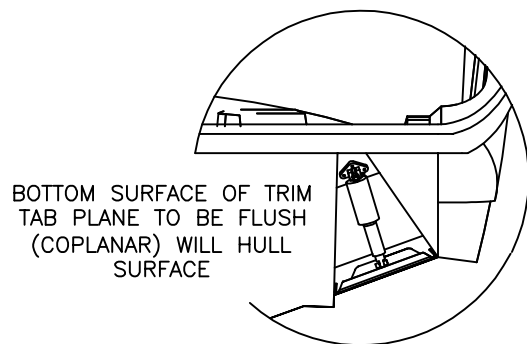
5 of 9

THIS DOCUMENT IS THE PROPERTY OF BOSTON WHALER, INC. MFG. DEPT., EDGEWATER, FLORIDA. ALL RIGHTS ARE RESERVED. THIS DOCUMENT AND INFORMATION CONTAINED MUST NOT BE COPIED OR DISCLOSED TO OTHERS WITHOUT WRITTEN PERMISSION OF BOSTON WHALER, INC.

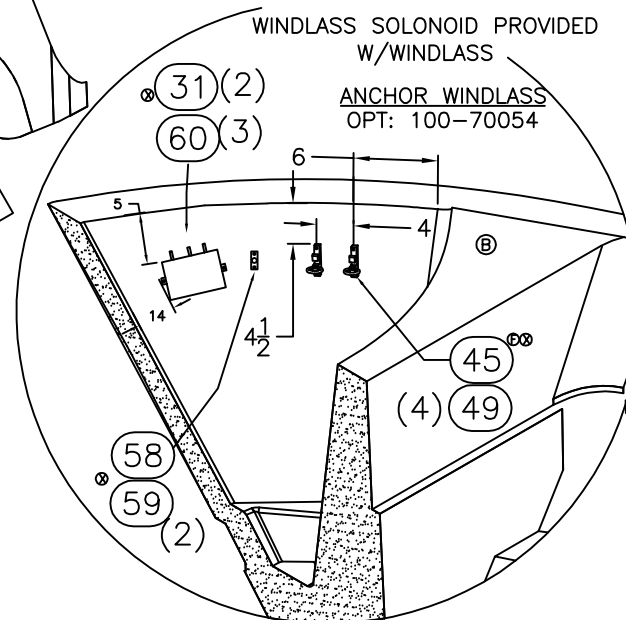
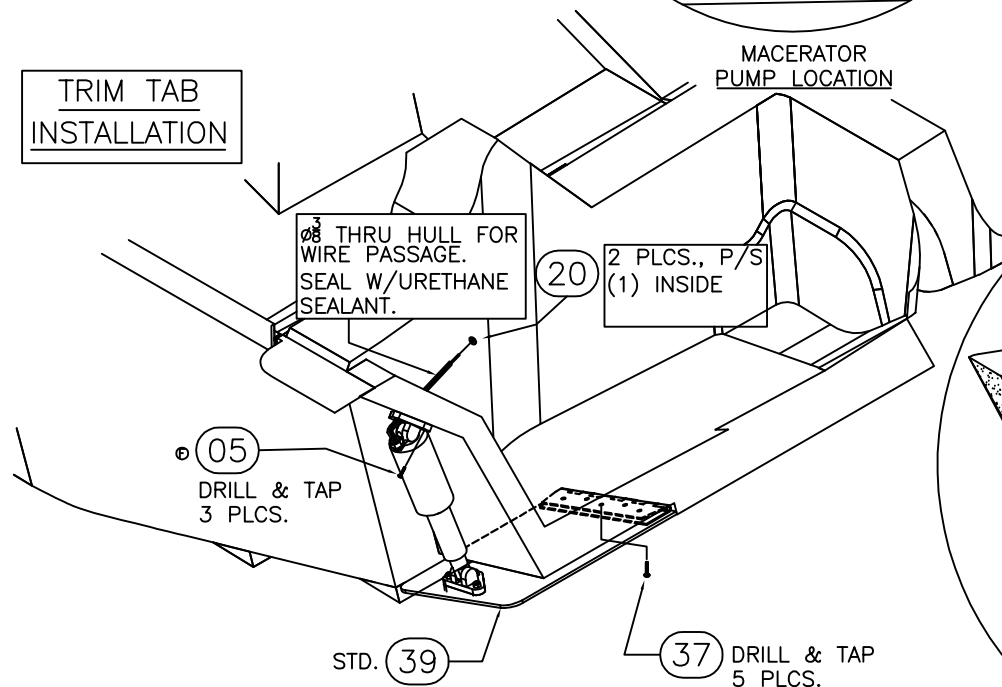
DWG. NO:
06151

REV.
AE

CURRENT ECD
10026565



TRIM TAB INSTALLATION



THIS DOCUMENT IS THE PROPERTY OF BOSTON WHALER, INC. MFG. DEPT., EDGEWATER, FLORIDA. ALL RIGHTS ARE RESERVED. THIS DOCUMENT AND INFORMATION CONTAINED MUST NOT BE COPIED OR DISCLOSED TO OTHERS WITHOUT WRITTEN PERMISSION OF BOSTON WHALER, INC.

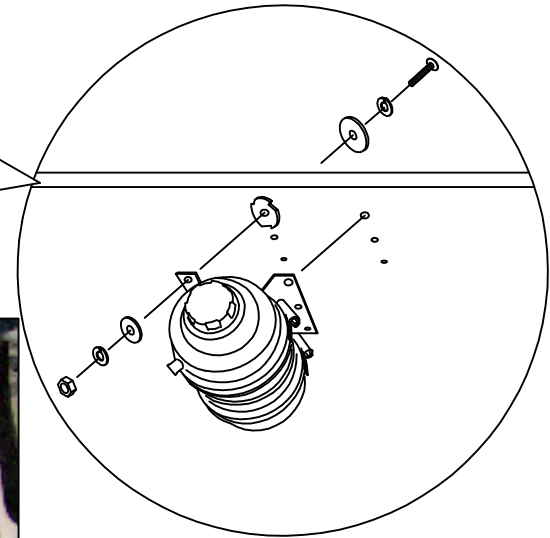
DWG. NO:
06151

REV.
AE

CURRENT ECD
10026565

100-76101: GENERATOR (120V)
100-76102: GENERATOR (220V)

INCLUDED W/GENERATOR
MOUNT WITH: (37) (74) (75) (77) (40) (74) (76) (6)
MOUNT TO BULKHEAD (SEE DETAIL)



(66) (63)
(4) (30)

(78)
(4) (31)

(67) (69)
(4) (05)

(65)
(2) (31)

(68)
(2) (73)



(70) OR (71)



INTERPRET DIMENSIONS AND TOLERANCES PER ANSI Y 14.5 UNLESS OTHERWISE SPECIFIED DIMENSIONS ARE IN INCHES.
TOLERANCES: ANGLES = ± .5° .XXX = ± .010
.X = ± .1 X = ± 1/16
.XX = ± .03

DO NOT SCALE DRAWING

DRAWN: M.ZAFFUTO

DATE: 07/15/05

SCALE: NONE

BOAT MODEL

MOLD NO.

285CQ

DWG. TITLE:

HULL OUTFIT & EQUIPMENT LOCATION

INIT. REL. ECN NO:

DWG. NO:

SHT. NO.

050362

06151

7 of 9

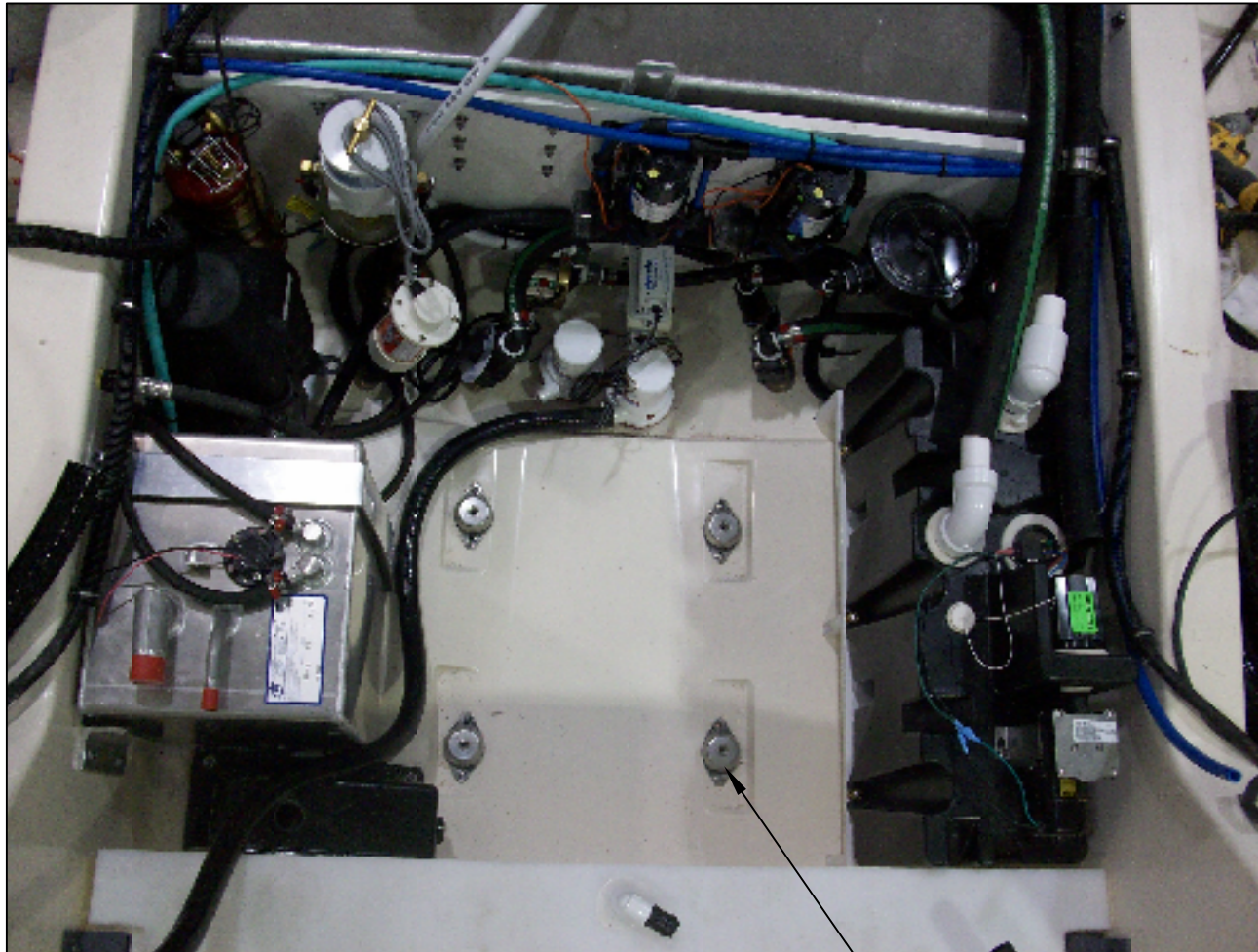
THIS DOCUMENT IS THE PROPERTY OF BOSTON WHALER, INC. MFG. DEPT., EDGEWATER, FLORIDA. ALL RIGHTS ARE RESERVED. THIS DOCUMENT AND INFORMATION CONTAINED MUST NOT BE COPIED OR DISCLOSED TO OTHERS WITHOUT WRITTEN PERMISSION OF BOSTON WHALER, INC.

DWG. NO:
06151

REV.
AE

CURRENT ECD
10026565

100-76101: GENERATOR (120V)
100-76102: GENERATOR (220V)



72 31 (2) x4 PLCS
DRILL & TAP



INTERPRET DIMENSIONS AND TOLERANCES PER ANSI Y 14.5 UNLESS OTHERWISE SPECIFIED DIMENSIONS ARE IN INCHES.
TOLERANCES: ANGLES = ± .5° .XXX = ± .010
.X = ± .1 X = ± 1/16
.XX = ± .03
DO NOT SCALE DRAWING

DRAWN: M.ZAFFUTO

DATE: 07/15/05

SCALE: NONE

BOAT MODEL

MOLD NO.

285CQ

DWG. TITLE:

HULL OUTFIT & EQUIPMENT LOCATION

INIT. REL. ECN NO:

DWG. NO:

SHT. NO.

050362

06151

8 OF 9

PARTS LIST

ITEM	STD. QTY.	OPT. QTY.	U/M	DESCRIPTION	B.W.I. NO.
01	1	-	EA.	STEERING, POWER PACK MERC W/12' LEAD	1772668
02	1	-	EA.	TANK, FUEL - BW 207GAL 285CQ-07	1838689
03	2	-	EA.	PUMP, BILGE 2000GPH	0125443
04	2	-	EA.	SWITCH, FLOAT RULE W/CVR MERCURY FREE	1849537
05	10	4	EA.	SCREW, TAPPING #14A X 1.5" PPH SC	1008697
06	-	4	EA.	SCREW, TAPPING #14A X 1.5" PTH SC	1010909
07	1	-	EA.	PUMP, WASHDOWN 3.5GPM 45PSI 12V EPOXY	1688678
08	3	-	EA.	HOLDER, BATTERY GR24 BLK NYLON W/SS RODS	1809054
09	1	-	EA.	BOARD, PVC 1/2"X 11.5"X 15.375"FOAMED	1852582
10	1	-	EA.	SHELF, PVC BW285CQ-07 BATT	1872353
11	1	-	EA.	VACUUM GEN, VAC HEAD SYS 12V REV1	2015136
12	-	1	EA.	HEATER, WATER 6 GAL 120V W/75-210T&P W/HX	1978848
13	-	1	EA.	HEATER, WATER 6 GAL 240V W/75-210T&P W/HX	1978849
14	3	-	EA.	PUMP, HEAD SYS MACERATOR 12V EPOXY	1718984
15	-	1	EA.	A/C COMP, PUMP SEAWATER 115V SUBMRS'BL	1212240
16	-	1	EA.	A/C COMP, PUMP SEAWATER 220V SUBMRS'BL	1733794
17	-	1	EA.	A/C COMP, TURBO CRUISAIR 8K 115V/60HZ R410A	2014325
18	-	1	EA.	A/C COMP, TURBO CRUISAIR 8K 240V/50HZ R410A	2014376
19	1	-	EA.	SHOWER, SUMP ASSY 12V 800GPH W/MERC F	1849858
20	4	-	EA.	WASHER, FLAT #5/16" SC	1260785
21	2	-	EA.	BRACKET, PVC 2"X 2"X 1/4"X 6" BW-01	1547280
22	2	-	EA.	RUBBER PAD, BW FUEL TANK 2"X 6"	1042407
23	1	-	EA.	TRANSFORMER, ISO 3.6 KVA	1909902
24	-	1	EA.	TRANSFORMER, ISO 3.8 KVA	1909903
25	6	2	EA.	SCREW, TAPPING #8A X 1" PPH SC	1213115
26	11	2	FT	TAPE, FOAM NEOPRENE W/3M 9828 3/8"TH X 2"W	1497452
27	1	-	EA.	HOLDER, HDPE BW-04 WNDLS REMOTE N/BASE	1755739
28	-	4	EA.	BOLT, LAG 3/8"X 1.5" SS HEX HD	1009703
29	24	-	EA.	SCREW, TAPPING #10 X 1.5" PTH SC	1008747
30	-	10	EA.	SCREW, TAPPING #10A X 1" PTH SC	1008739
31	16	16	EA.	SCREW, TAPPING #14A X 1" PPH SC	1008689
32	1	-	EA.	TANK, WATER BW285CQ-06 - 30GAL	1804034
33	17	-	EA.	SCREW, TAPPING #10A X 2" PTH SC	1008754
34	1	-	EA.	PUMP, BILGE 1100GPH	1480094
35	1	-	EA.	PUMP, FRESH WATER SHURFLO 3.3GPM IMP	1128172
36	-	1	EA.	FILTER, IN-LINE WATER STRAINER 3/4" BARB	1105774
37	10	14	EA.	SCREW, MACHINE #1/4-20 X 1" PPH SC	1008580
38	1	-	EA.	TRIM TAB, ASSY 11 X 14.5 BW285CQ-06	1803653
39	1	-	EA.	TRIM TAB, ASSY 11 X 14.5 W/INDICATOR	1808865
40	8	10	EA.	WASHER, FLAT 1/4" SC	1260769
45	-	2	EA.	HOLDER, HDPE BW-07 ANCHOR WNDLS HANDLE 1000W	1884959
46	-	1	EA.	HOLDER, HDPE BW-04 WNDLS REMOTE N/BASE	1755739
47	-	-	EA.	SCREW, TAPPING #6A X 1" POH SC	1213040
48	12	-	EA.	SCREW, TAPPING #8A X 3/4" PPH SC	1010651
49	-	4	EA.	SCREW, TAPPING #6A X 1" PPH SC	1184548
50	-	1	EA.	A/C COMP, QC PKG (MICROPROCESSOR CNTRL UNIT)	0826115
51	8	-	EA.	SCREW, TAPPING #8A X 5/8" PTH SC	1010925
52	2	-	EA.	FOAM, P/C BW285CQ-06 CLSOUT DECK/HULL	1819494
53	1	-	EA.	CLEAT, P/B BW-06 1"X 3/4"X 8"	1833152
54	1	-	EA.	BRACKET, HDPE BW-07 HIGHWATER FLOAT SW 16DEC	1840351
55	4	-	EA.	SCREW, TAPPING #8A X 1.5" PTH SC	1172642
56	4	-	EA.	SCREW, TAPPING #8A X 1.25" PTH SC	1130053
57	4	-	EA.	SCREW, TAPPING #10A X 1.5" PTH SC	1010248
58	-	1	EA.	BUSS BAR, SGL POST 5/16"	0795583
59	-	2	EA.	SCREW, TAPPING #10A X 1" POH SC	1008507
60	-	3	EA.	BOOT, ENG STARTER RED	0140509
61	-	1	EA.	TUNER, PAL EXTERNAL	1893027
62	-	2	EA.	CONN, COAX 'F' TWIST ON	0864306
63	-	-	EA.	FIRE EXT, AUTOMATIC/MANUAL FE-241 CG2-125	1974281
64	1	-	EA.	SHELF, PVC WASTE TANK	1971820
65	2	1	EA.	TANK, BRACKET BWCP270-97 2"X 2"X 6" 1/4"ALUM	1030469
66	-	1	EA.	SHIM, HDPE BW280CQ/OR-00 HALON EXTINGUISHER	1399989
67	-	4	EA.	TAPE, FOAM NEOPRENE W/3M 9828 3/8"TH X 2"W	1497452
68	-	1	EA.	BLOWER, BILGE 4" #240M W/O CONN	1587104
69	-	1	EA.	TANK, FUEL - BW 10GAL 285CQ-10 DSL	1966569
70	-	1	EA.	GENERATOR, 4.0 KW DSL PANDA 120V/60HZ 90 DEG	1973886
71	-	1	EA.	GENERATOR, 4.0 KW DSL PANDA 220V/50HZ 90 DEG	1973887
72	-	4	EA.	GENERATOR, MOTOR MOUNTS SS P4 (40 OR 45)	1874999
73	-	2	EA.	SCREW, TAPPING #8A X 1" PTH SC	1008804
74	-	12	EA.	WASHER, LOCK/SPLIT 1/4" SC	1260595
75	-	6	EA.	WASHER, FENDER 1/4"X 1.25" SC	1260678
76	-	6	EA.	NUT, HEX #1/4-20 SC	1260694
77	-	6	EA.	NUT, TEE #1/4-20 X 5/16" SS	0768564
78	-	1	EA.	STRAP, FUEL TANK BW285CQ-10 DSL	1968022
79	-	1	EA.	BATTERY CHARGER, 25A PROTECH 1225I 3 BANK	1890766
80	-	1	EA.	BUSS BAR, 4TERM MINIBUSS	1185024

REV. CURRENT ECO
AE 10026565

DWG. NO. 06151

THIS DOCUMENT IS THE PROPERTY OF BOSTON WHALER, INC. MFG. DEPT. EDGEWATER, FLORIDA. ALL RIGHTS ARE RESERVED. THIS DOCUMENT AND INFORMATION CONTAINED MUST NOT BE COPIED OR DISCLOSED TO OTHERS WITHOUT WRITTEN PERMISSION OF BOSTON WHALER, INC.

BOAT MODEL 285CQ	MOLD NO.	SCALE: NONE	DATE: 07/15/05	DRAWN: M. ZAFFUTO
INIT. REL. ECN NO: 050362	DWG. NO.: 06151	HULL OUTFIT & EQUIPMENT LOCATION		
INTERPRET DIMENSIONS AND TOLERANCES PER ANSI Y 14.5 UNLESS OTHERWISE SPECIFIED DIMENSIONS ARE IN INCHES. TOLERANCES: ANGLES = ± .5° .XXX = ± .010 .X = ± .1 X = ± 1/16 .XX = ± .03 .X = ± .010				
DO NOT SCALE DRAWING				
 BOSTON WHALER PRODUCT DEV. & MFG. ENGINEERING GROUP				

THIS DOCUMENT IS THE PROPERTY OF BOSTON WHALER, INC. MFG. DEPT., EDGEWATER, FLORIDA. ALL RIGHTS ARE RESERVED. THIS DOCUMENT AND INFORMATION CONTAINED MUST NOT BE COPIED OR DISCLOSED TO OTHERS WITHOUT WRITTEN PERMISSION OF BOSTON WHALER, INC.

DWG. NO:
06301

REV.
B

CURRENT ECD
050362

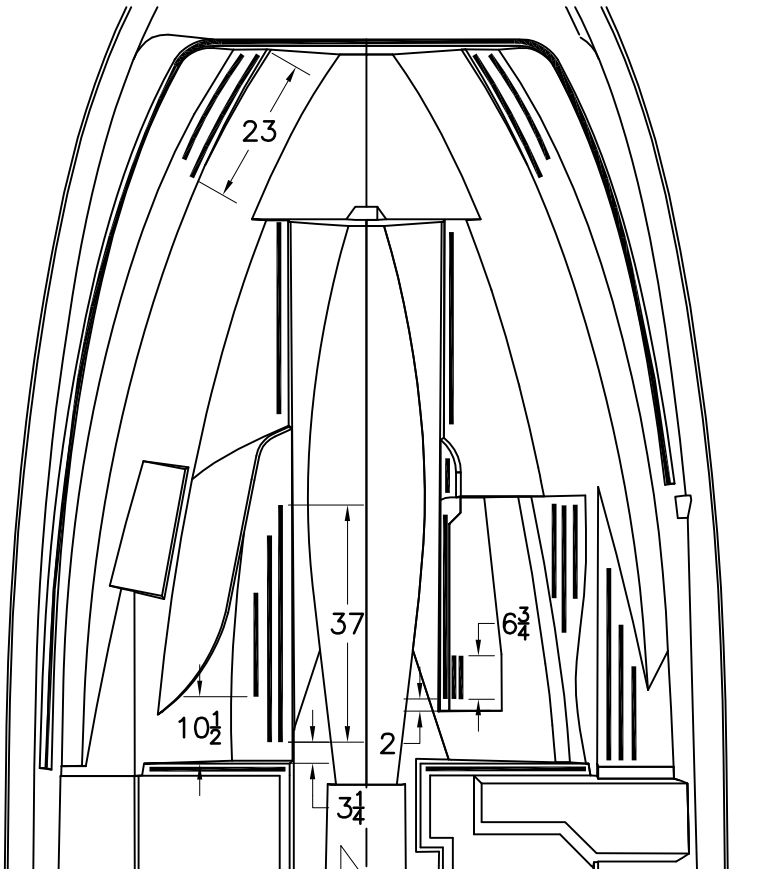
1. USE PAPER & MASKING TAPE TO PROTECT SURFACE AREAS FROM EXCESS ADHESIVE REMOVE ALL EXCESS ADHESIVE QUICKLY.
2. ADHESIVE: "WELD-ON" (POLY-BOND) 2-PART SUMMER/WINTER BLEND DEPENDENT ON SEASONAL CONDITIONS.
3. REF. DWG. 16-104 FOR FWD BERTH CUTOUTS.

REVISIONS					
REV.	DESCR.	BY	DATE	APPVD.	ECN NO.
A	DELETE ADHESIVE FROM SHOWER INSTALL PG.2	SWH	11-23-05	VPK	05-03-62
B	PG-1 ADDED SHOWER , PG-2 ADDED NOTE #11	SWH	11-29-05	VPK	05-03-62

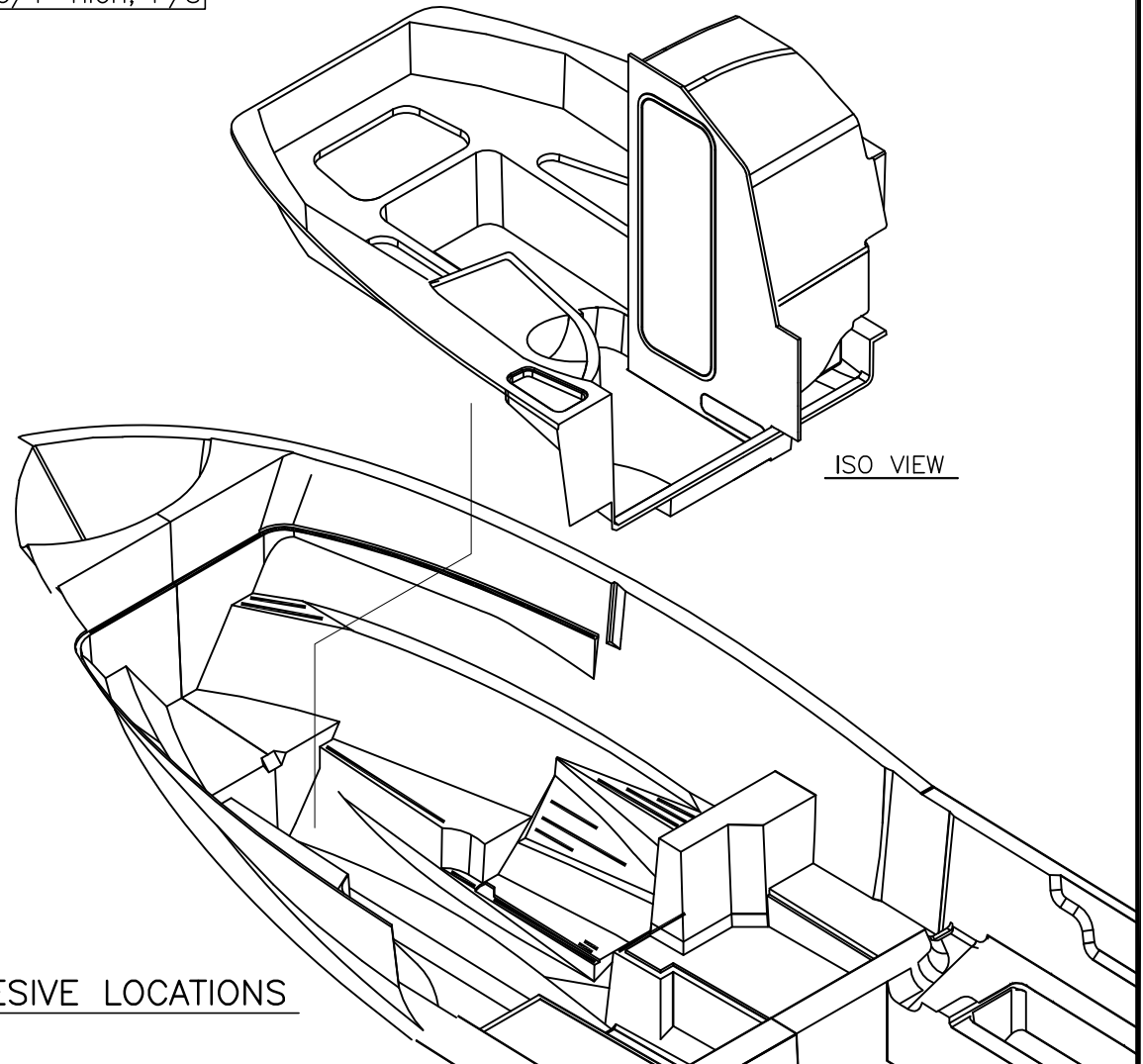
* DRY FIT V-BERTH FOR COVERED AREAS.

 APPLY ADHESIVE TO DARK AREAS

ALL BEADS 3/4" HIGH, P/S



PLAN VIEW



ISO VIEW

V-BERTH ADHESIVE LOCATIONS

INTERPRET DIMENSIONS AND TOLERANCES PER ANSI Y 14.5 UNLESS OTHERWISE SPECIFIED DIMENSIONS ARE IN INCHES.
TOLERANCES: ANGLES = ± .5° .XXX = ± .010
.X = ± .1 .XX = ± .03
X/X = ± 1/16
DO NOT SCALE DRAWING

CHECKED: H. WOOD	DATE: 8/15/05	DRAWN: HAL READ	DATE: 08/04/05	SCALE: NONE	BOAT MODEL	MOLD NO.
APPD: K. RANIERI	DATE: 8/15/05	DWG. TITLE:			285CQ	
DESIGN: V. KNIGHT	DATE: 8/15/05	INT. V-BERTH & SHOWER INSTALLATION			INIT. REL. ECN NO:	DWG. NO:
INT. ENG: M. GATICA	DATE: 8/15/05				050362	06301
					SHT. NO.	
					1	OF 2

THIS DOCUMENT IS THE PROPERTY OF BOSTON WHALER, INC. MFG. DEPT., EDGEWATER, FLORIDA. ALL RIGHTS ARE RESERVED. THIS DOCUMENT AND INFORMATION CONTAINED MUST NOT BE COPIED OR DISCLOSED TO OTHERS WITHOUT WRITTEN PERMISSION OF BOSTON WHALER, INC.

DWG. NO:
06301

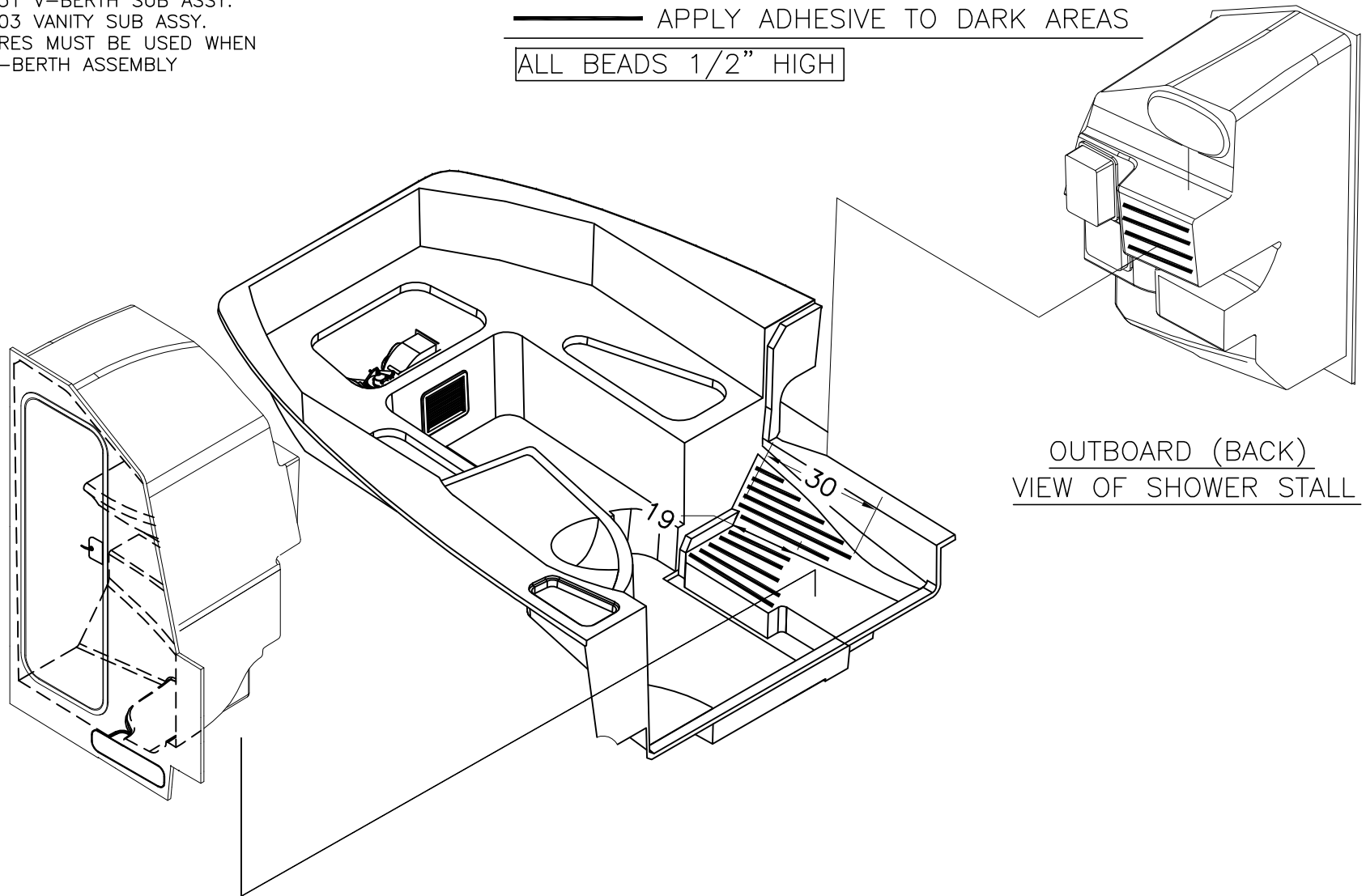
REV.
B

CURRENT ECD
050362

4. REF. DWG. 09-701 FOR SHOWER STALL.
5. REF. DWG. 16-106 FOR SHOWER STALL/VANITY CUTOUTS.
6. REF. DWG. 06-701 FOR FRESH WATER SYSTEM.
7. REF. DWG. 08-203 FOR WASTE WATER SYSTEM.
8. REF. DWG. 08-101 FOR AC SYSTEM.
9. REF. DWG. 09-651 V-BERTH SUB ASSY.
10. REF. DWG. 09-603 VANITY SUB ASSY.
11. ALIGNMENT FIXTURES MUST BE USED WHEN SHOWER ONTO V-BERTH ASSEMBLY

————— APPLY ADHESIVE TO DARK AREAS

ALL BEADS 1/2" HIGH



OUTBOARD (BACK)
VIEW OF SHOWER STALL



INTERPRET DIMENSIONS AND TOLERANCES PER ANSI Y 14.5 UNLESS OTHERWISE SPECIFIED DIMENSIONS ARE IN INCHES.
TOLERANCES: ANGLES = ± .5° .XXX = ± .010
.X = ± .1 .X = ± 1/16
.XX = ± .03

DO NOT SCALE DRAWING

DRAWN: HAL READ DATE: 08/04/05 SCALE: NONE
DWG. TITLE:
INT. V-BERTH & SHOWER INSTALLATION

BOAT MODEL
285CQ

MOLD NO.

INIT. REL. ECN NO:
050362

DWG. NO:
06301

SHT. NO.
2 OF 2

THIS DOCUMENT IS THE PROPERTY OF BOSTON WHALER, INC. MFG. DEPT., EDGEWATER, FLORIDA. ALL RIGHTS ARE RESERVED. THIS DOCUMENT AND INFORMATION CONTAINED MUST NOT BE COPIED OR DISCLOSED TO OTHERS WITHOUT WRITTEN PERMISSION OF BOSTON WHALER, INC.

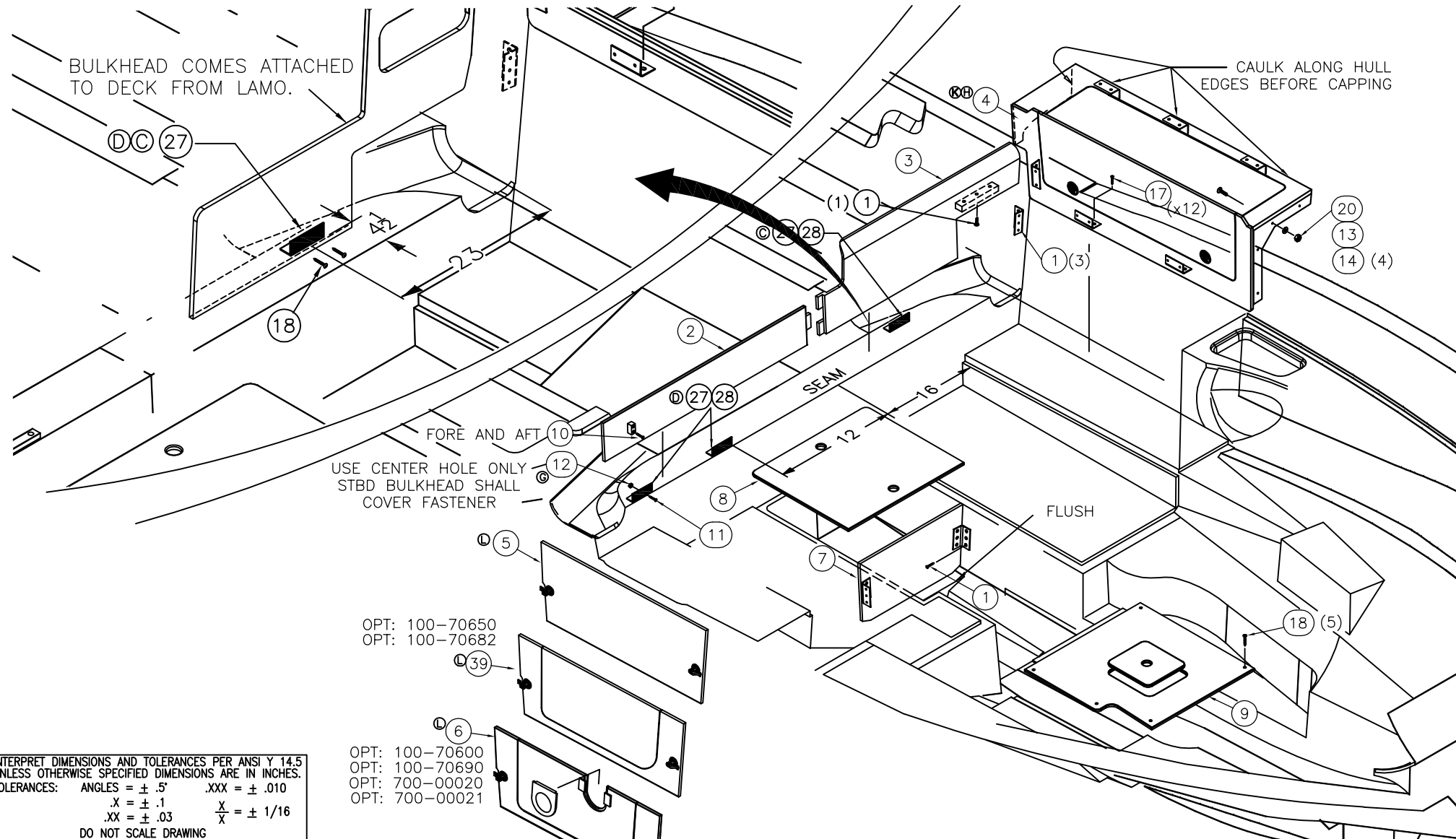
DWG. NO:
06303

REV.
L

CURRENT ECD
10016503

NOTE:
DO NOT SECURE BULKHEADS W/ EXPOSED FASTNERS.

REVISIONS					
REV.	DESCR.	BY	DATE	APPVD.	ECN NO.
I	CHANGED P/N# & DESCRIPTION ITEM 21 SHEET 2 WAS 1010925, ITEM 4 WAS 1811615	SLJ	03/21/07	AVR	07034030
J	MYE'10: ADDED #'S 37-38 & SHEETS 4-5 FOR VAPOR FOAM DETAIL; NOTE ON SHEET 1	SBL	11/12/09	HW	09056008
K	MYE'10: ITEM #4 P/N 1811615 WAS 1851067, SHEETS 1 & 2	SBL	01/11/10	ST	09106291
L	ITEM #6 WAS 1817977, ADDED ITEM #39, SHTS 1 & 2	SLJ	02/02/10	HW	10016503



INTERPRET DIMENSIONS AND TOLERANCES PER ANSI Y 14.5 UNLESS OTHERWISE SPECIFIED DIMENSIONS ARE IN INCHES.
TOLERANCES: ANGLES = ± .5° .XXX = ± .010
.X = ± .1 X = ± 1/16
.XX = ± .03 X = ± 1/16
DO NOT SCALE DRAWING

- OPT: 100-70650
- OPT: 100-70682
- OPT: 100-70600
- OPT: 100-70690
- OPT: 700-00020
- OPT: 700-00021



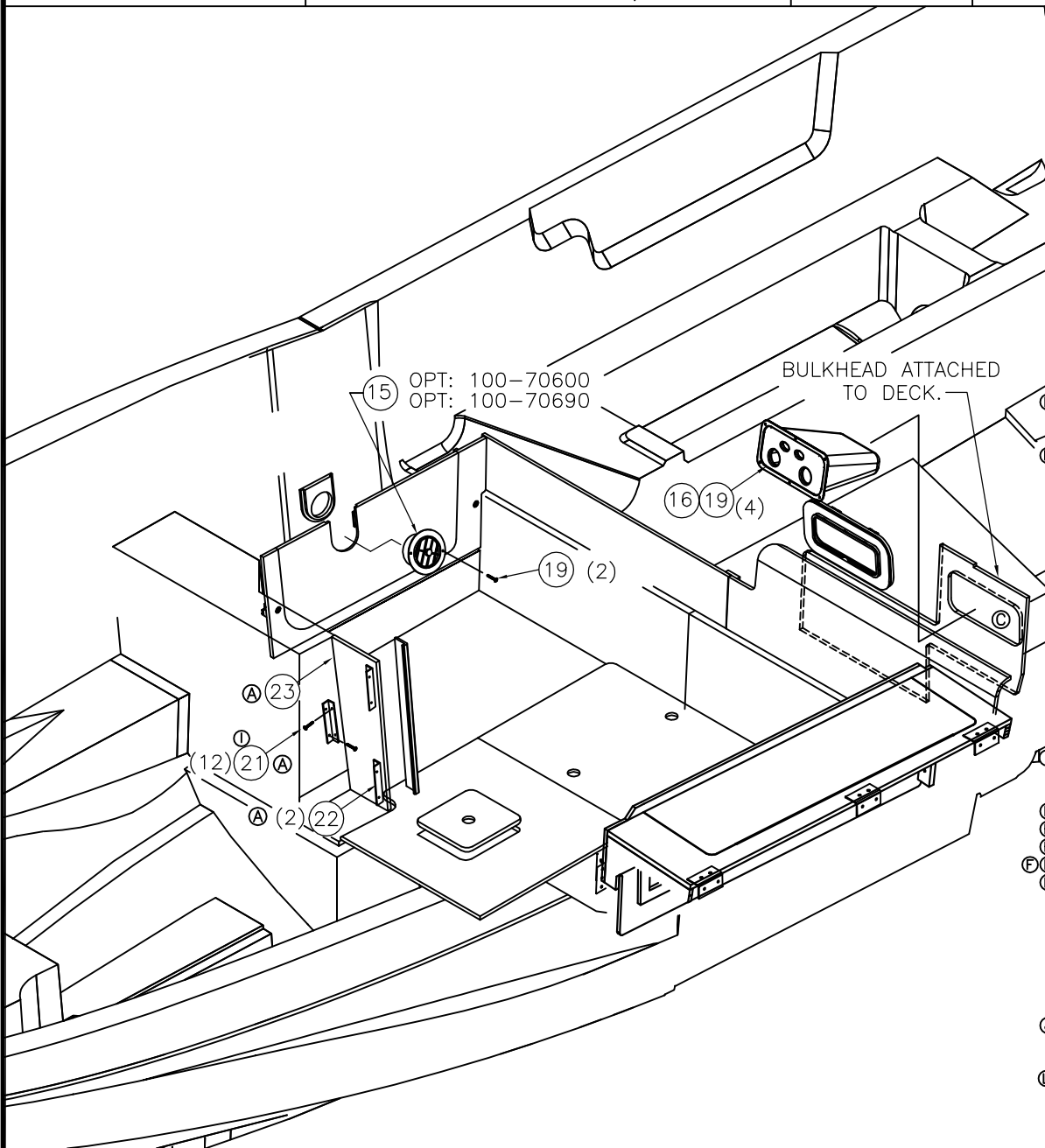
CHECKED: A. DALE	DATE: 11/10/05	DRAWN: HAL READ	DATE: 11/14/05	SCALE: NONE	BOAT MODEL 285CQ	MOLD NO.
APPD: KR	DATE: 11/16/05	DWG. TITLE: INTERIOR MID-CABIN ASSY			INIT. REL. ECN NO: 050362	DWG. NO: 06303
DESIGN: VPK	DATE: 11/16/05					SHT. NO. 1 OF 5
INT. ENG: MG	DATE: 11/16/05					

THIS DOCUMENT IS THE PROPERTY OF BOSTON WHALER, INC. MFG. DEPT., EDGEWATER, FLORIDA. ALL RIGHTS ARE RESERVED. THIS DOCUMENT AND INFORMATION CONTAINED MUST NOT BE COPIED OR DISCLOSED TO OTHERS WITHOUT WRITTEN PERMISSION OF BOSTON WHALER, INC.

DWG. NO:
06303

REV.
L

CURRENT ECD
10016503



PARTS LIST

ITEM	QTY.	QTY.	U/M	DESCRIPTION	B.W.I. NO.
1	40		EA.	SCREW, TAPPING #10A X 1" PTH SC	1008739
2	1		EA.	PLY, P/C BW285CQ-06 MIDCABIN AFT BLKHD	1811816
3	1		EA.	PLY, P/C BW285CQ-06 MIDCABIN PRT BLKHD	1811616
4	1		EA.	PLY, P/C BW285CQ-06 MIDCABIN PRT SHLF	1811615
5	1	-1	EA.	BLKHD, HDPE BW285CQ-06 MIDCABIN STB	1817976
6	1		EA.	BLKHD, HDPE 285CQ-10 MIDCABIN STB W/A/C	2015542
7	1		EA.	BLKHD, HDPE BW285CQ-06 MIDCABIN STRG	1811818
8	1		EA.	COVER, HDPE BW285CQ-06 MIDCABIN STRG	1811819
9	1		EA.	COVER, HDPE BW285CQ-06 FWD BILGE ACCESS	1811820
10	4		EA.	SCREW, TAPPING #6A X 3/4" PTH SC	1010917
11	2		EA.	SCREW, MACHINE #1/4-20 X 1.25" PFH SC	1213289
12	2		EA.	NUT, LOCK #1/4-20 SC STD PATT	1009786
13	4		EA.	WASHER, FLAT #10 SC	1260751
14	4		EA.	NUT, HEX NYLON LOCK #10-24 SC	1007772
15	1		EA.	A/C COMP, GRILL 4" W/DA WHT	1105196
16	1		EA.	BOX, ABS BW285CQ-06 ROD STRG	1815918
17	12		EA.	SCREW, TAPPING #6A X 1" POH SC	1213040
18	7		EA.	SCREW, TAPPING #10A X 1.5" PFH SC	1010248
19	6		EA.	SCREW, TAPPING #8A X 1/2" PTH SC	1008812
20	4		EA.	SCREW, MACHINE #10-24 X 1.25" PTH SC	1737221
21	12		EA.	SCREW, TAPPING #8A X 5/8" PPH TEK SC W/EPXY	1893323
22	3		EA.	BRACKET, ALUM BW260CQ-01 BULKHD	1553171
23	1		EA.	PLY, P/C BW285CQ-06 MIDCABIN FWD BLKHD	1813874
24	2		EA.	CLEAT, HDPE BW285CQ-06 2.25" X 4" X 1"	1819259
25	1		EA.	DRAIN, 1" IMPACT W/BARB BLK	1041888
26	1		EA.	CLAMP, HOSE #10 1/2"-1 1/8" SS .505	0263954
27	4		EA.	BRACKET, PVC 2" X 2" X 1/4" X 6" BW-01	1547280
28	6		EA.	SCREW, TAPPING #10A X 1.5" PTH SC	1008747
29	8		EA.	BRACKET, PVC 2" X 2" X 1/4" X 2" W/SLOT	1819765
30	1		EA.	CUSH, BW285CQ-06 HEADLINER MIDCABIN PRT	1811823
31	1		EA.	CUSH, BW285CQ-06 HEADLINER MIDCABIN ENTR TRIM	1811824
32	1		EA.	CUSH, BW285CQ-06 HEADLINER MIDCABIN STB	1811825
33	1		EA.	CUSH, BW285CQ-06 HEADLINER MIDCBN CTR	1811826
34	1		EA.	CUSH, BW285CQ-06 HEADLINER MIDCBN AFT GLUE IN	1812235
35	1		EA.	CUSH, BW285CQ-06 VAL STB FWD MIDCBN	1831625
36	26		FT.	FOAM, P/C BW-98 GUN'L WELD 1" X 3"	1146943
37	1		EA.	FOAM, P/C BW305CQ-04 CLSOUT DECK/HULL	1763520
38	1		EA.	SEALANT, GEOCEL EXPANDING FOAM (2002)	1772115
39	1		EA.	BLKHD, HDPE 285CQ-10 MIDCABIN STB	2015664



INTERPRET DIMENSIONS AND TOLERANCES PER ANSI Y 14.5 UNLESS OTHERWISE SPECIFIED DIMENSIONS ARE IN INCHES.
 TOLERANCES: ANGLES = ± .5° .XXX = ± .010
 .X = ± .1 X = ± 1/16
 .XX = ± .03 X = ± 1/16
 DO NOT SCALE DRAWING

DRAWN: HAL READ

DATE: 11/14/05

SCALE: NONE

BOAT MODEL

MOLD NO.

DWG. TITLE:

INTERIOR MID-CABIN ASSY

285CQ

INIT. REL. ECN NO:

DWG. NO:

SHT. NO.

050362

06303

2 OF 5

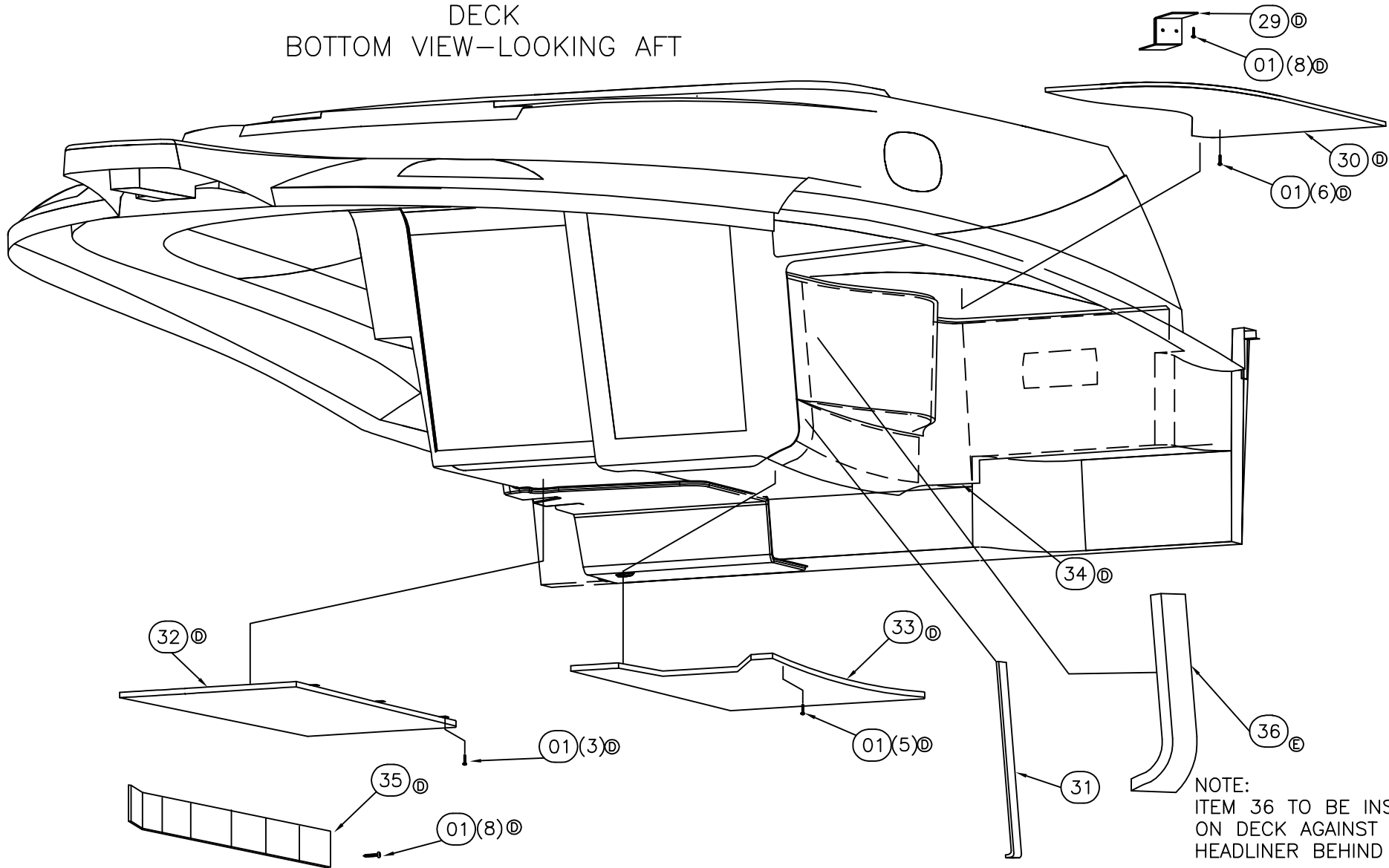
THIS DOCUMENT IS THE PROPERTY OF BOSTON WHALER, INC. MFG. DEPT., EDGEWATER, FLORIDA. ALL RIGHTS ARE RESERVED. THIS DOCUMENT AND INFORMATION CONTAINED MUST NOT BE COPIED OR DISCLOSED TO OTHERS WITHOUT WRITTEN PERMISSION OF BOSTON WHALER, INC.

DWG. NO:
06303

REV.
L

CURRENT ECD
10016503

DECK
BOTTOM VIEW—LOOKING AFT



NOTE:
ITEM 36 TO BE INSTALLED
ON DECK AGAINST LIP OF
HEADLINER BEHIND ITEM 34



INTERPRET DIMENSIONS AND TOLERANCES PER ANSI Y 14.5
UNLESS OTHERWISE SPECIFIED DIMENSIONS ARE IN INCHES.
TOLERANCES: ANGLES = ± .5° .XXX = ± .010
.X = ± .1 X = ± 1/16
.XX = ± .03 XX = ± 1/16
DO NOT SCALE DRAWING

DRAWN: HAL READ

DATE: 11/14/05

SCALE: NONE

BOAT MODEL

MOLD NO.

285CQ

DWG. TITLE:

INTERIOR MID-CABIN ASSY

INIT. REL. ECN NO:

DWG. NO:

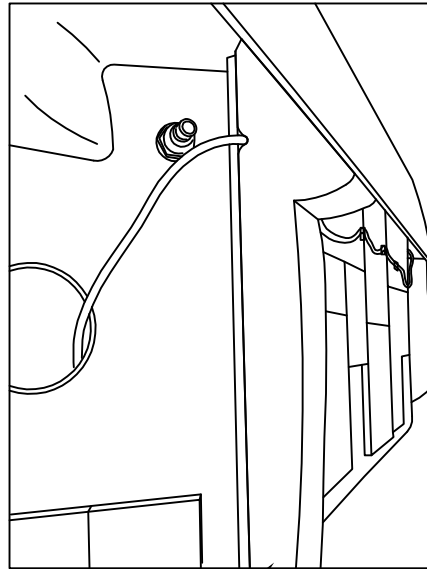
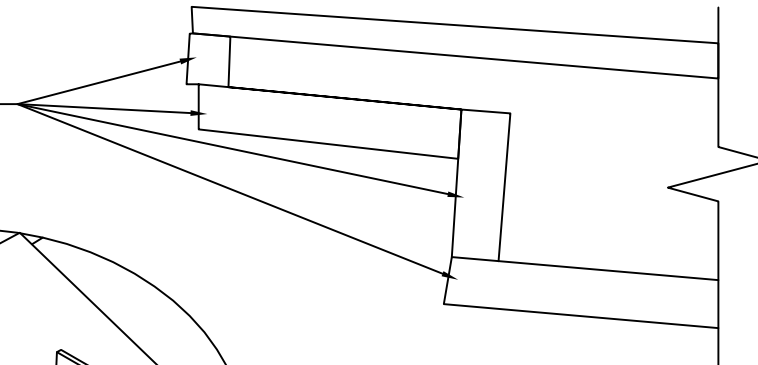
SHT. NO.

050362

06303

3 OF 5

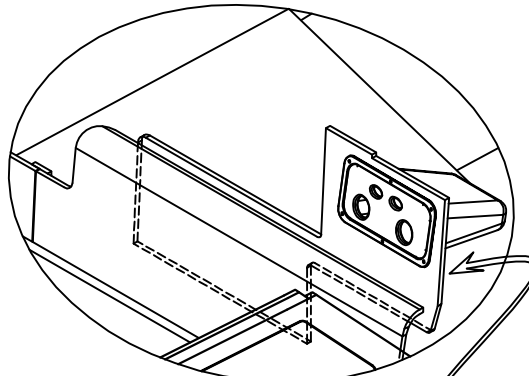
BEFORE INSTALL:
PLACE GUNNEL FOAM (#36) AROUND BULKHEADS USING SPRAY TACK; ALLOW 1/2" OVERHANG FOR CRUSH.



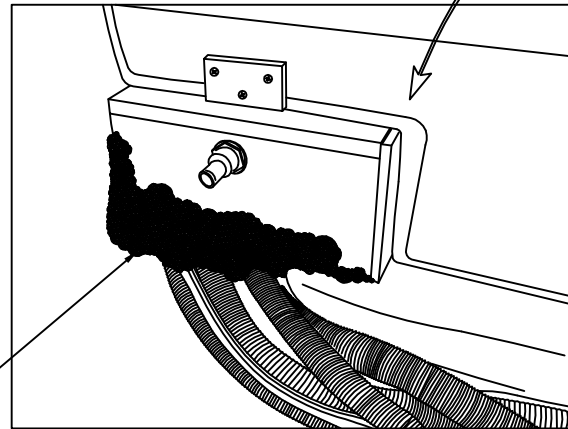
PORT VIEW

37

ADHERE W/SPRAY TACK; PLACE FULLY UNDER GUNNEL ALONG FWD EDGE OF COCKPIT AREA @ DETAIL AS SHOWN.

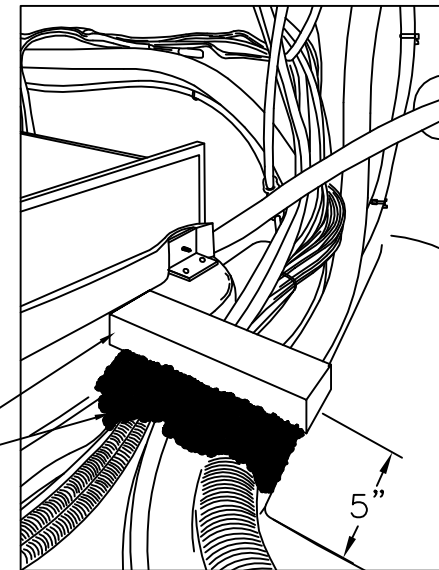


PORT VIEW



EXPANDING FOAM (#38) IN TROUGH IMBED AROUND HARNESS AND COVER OPENING IN BOX.

EASIEST TO COMPLETE THIS AT TIME OF CAPPING DECK TO HULL:
USE EXPANDING FOAM (#38) IN TROUGH & IMBED AROUND HARNESS. PLACE GUNNEL FOAM (#36) ACROSS TROUGH AS SHOWN.



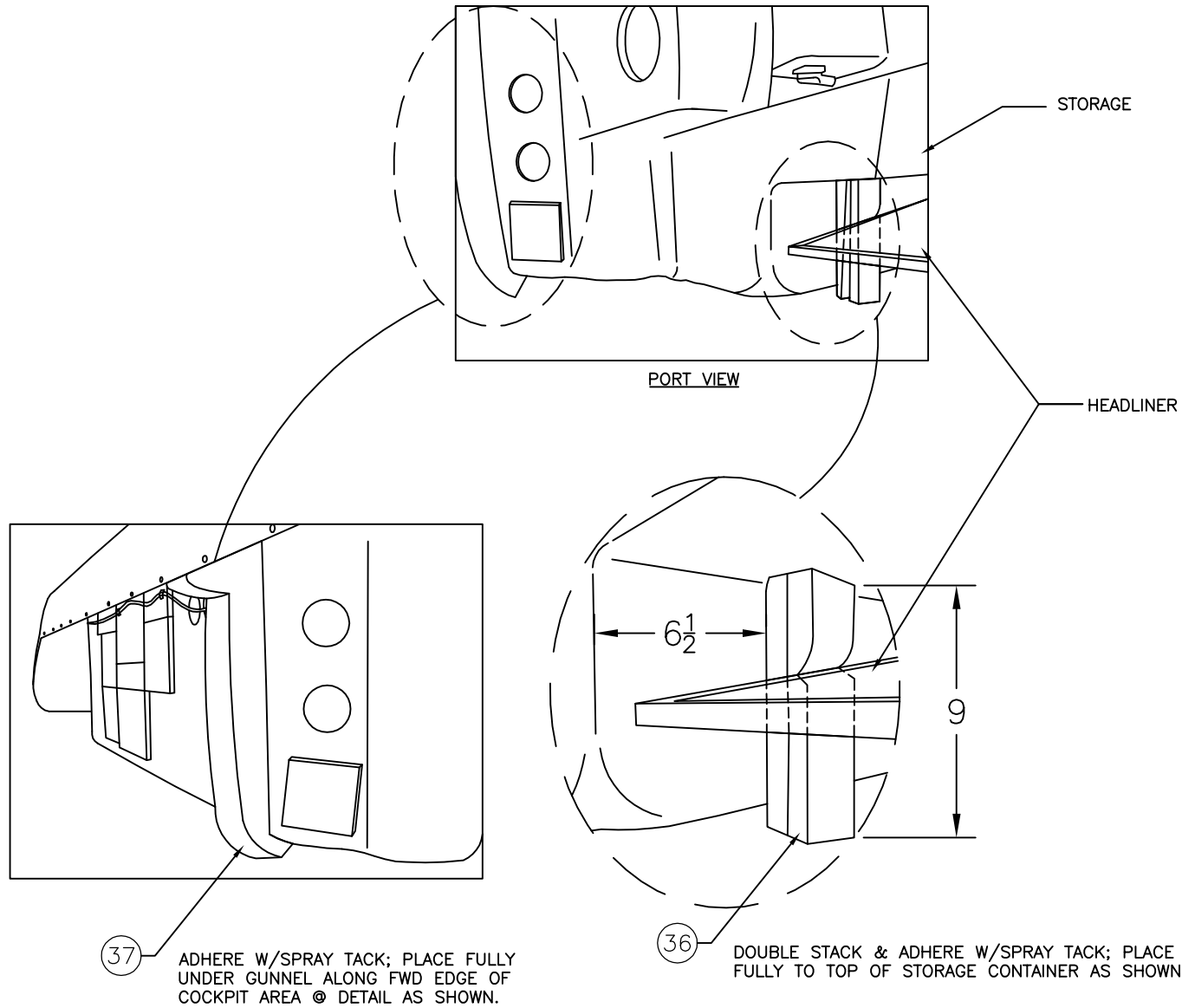
STARBOARD VIEW

THIS DOCUMENT IS THE PROPERTY OF BOSTON WHALER, INC. MFG. DEPT., EDGEWATER, FLORIDA. ALL RIGHTS ARE RESERVED. THIS DOCUMENT AND INFORMATION CONTAINED MUST NOT BE COPIED OR DISCLOSED TO OTHERS WITHOUT WRITTEN PERMISSION OF BOSTON WHALER, INC.

DWG. NO:
06303

REV.
L

CURRENT ECD
10016503



THIS DOCUMENT IS THE PROPERTY OF BOSTON WHALER, INC. MFG. DEPT., EDGEWATER, FLORIDA. ALL RIGHTS ARE RESERVED. THIS DOCUMENT AND INFORMATION CONTAINED MUST NOT BE COPIED OR DISCLOSED TO OTHERS WITHOUT WRITTEN PERMISSION OF BOSTON WHALER, INC.

DWG. NO:
09652

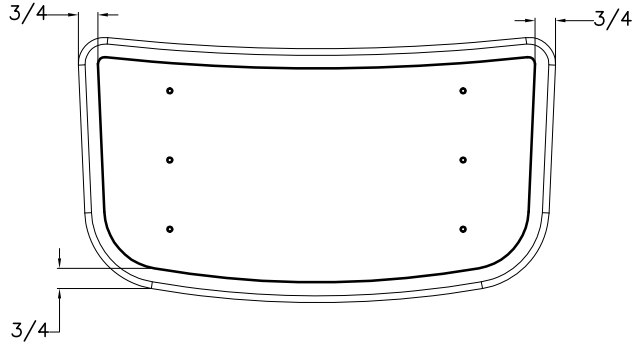
REV.
A

CURRENT ECD
0603111

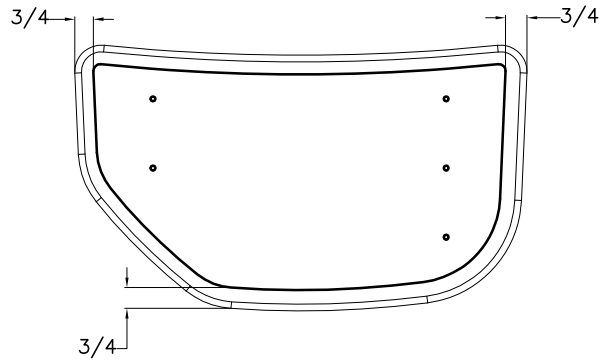
NOTES:
1. CENTER TEAK STEPS ON FRAME TREADS

REVISIONS					
REV.	DESCR.	BY	DATE	APPVD.	ECN NO.
A	ADDED ITEM #5 TO PARTS LIST.	JC	3/31/06	AVM	0603111

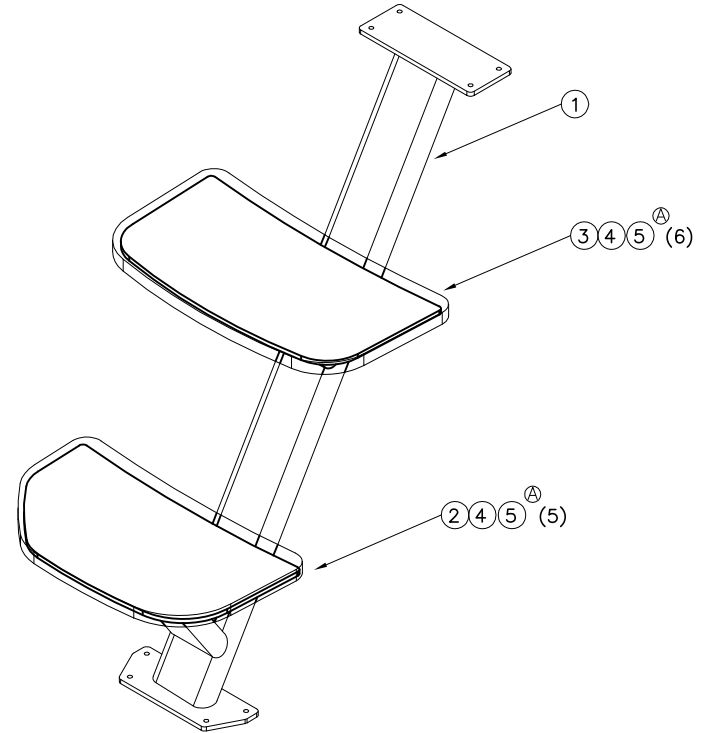
TOP STEP



BOTTOM STEP



ASSEMBLY VIEW



Parts List				
ITEM	QTY	U/M	DESCRIPTION	B.W.I. NO
1	1	EA.	FRAME, BW285CQ-06 COMPWY STAIRS	1814158
2	1	EA.	TEAK, P/C BW285CQ-06 STEP COMP BTM	1815426
3	1	EA.	TEAK, P/C BW285CQ-06 STEP COMP TOP	1815425
4	11	EA.	SCREW, TAPPING #8A X 5/8" PTH SC	1010925
5	11	EA.	WASHER, FLAT #8 SS	152900

INTERPRET DIMENSIONS AND TOLERANCES PER ANSI Y 14.5 UNLESS OTHERWISE SPECIFIED DIMENSIONS ARE IN INCHES.
TOLERANCES: ANGLES = ± .5° .XXX = ± .010
.X = ± .1
.XX = ± .03
X = ± 1/16
DO NOT SCALE DRAWING

 PRODUCT DEV. & MFG. ENGINEERING GROUP	CHECKED: AD	DATE: 12-6-05	DRAWN: S HIESTER	DATE: 12/05/05	SCALE:	BOAT MODEL	MOLD NO.
	APPD: KR	DATE: 12-6-05	DWG. TITLE:		285CQ	INIT. REL. ECN NO:	DWG. NO:
	DESIGN: VPK	DATE: 12-6-05	INTERIOR STEP ASSY				
	INT. ENG: MG	DATE: 12-6-05			050362	09652	SHT. NO.
							1 OF 1

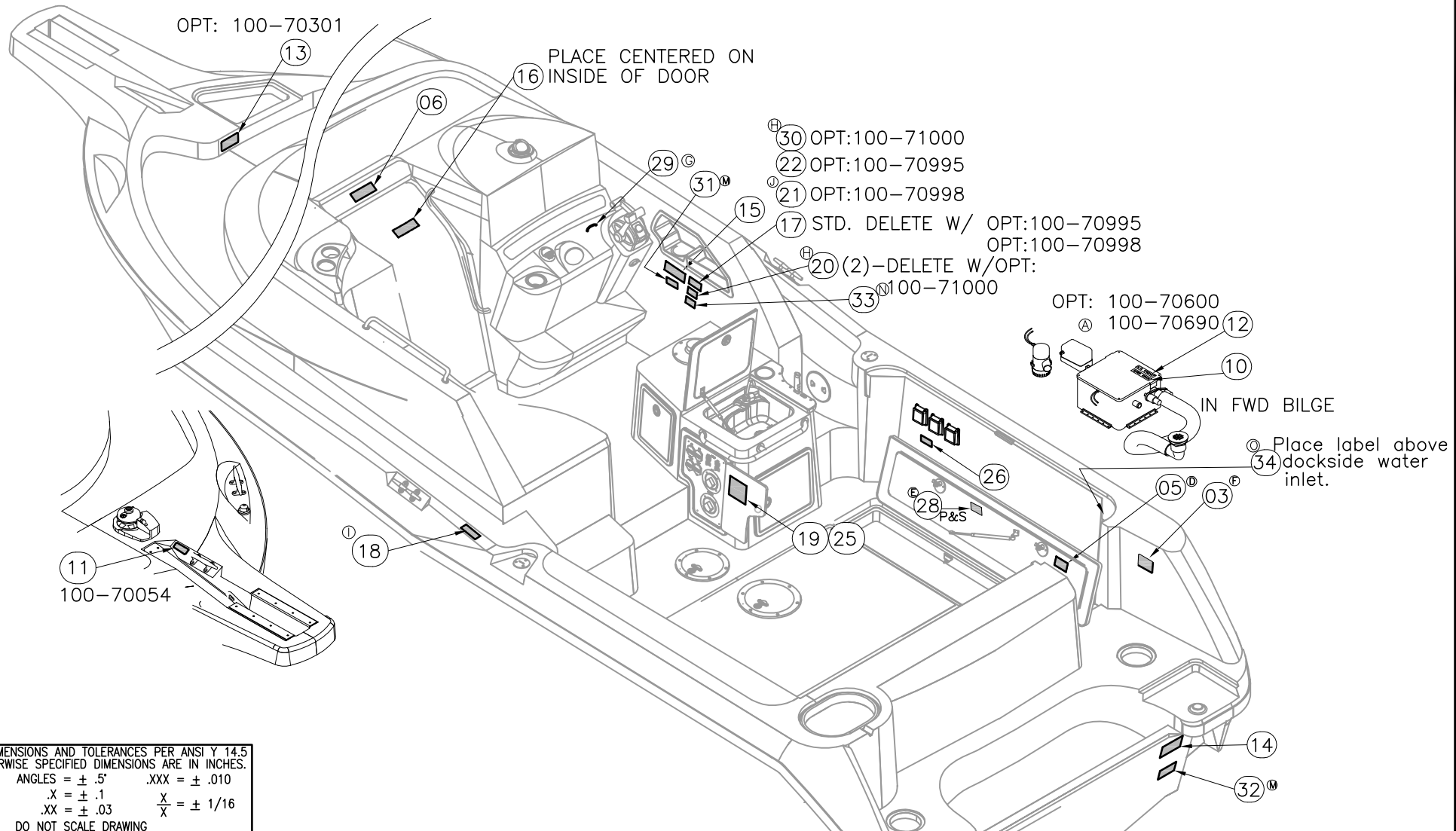
THIS DOCUMENT IS THE PROPERTY OF BOSTON WHALER, INC. MFG. DEPT., EDGEWATER, FLORIDA. ALL RIGHTS ARE RESERVED. THIS DOCUMENT AND INFORMATION CONTAINED MUST NOT BE COPIED OR DISCLOSED TO OTHERS WITHOUT WRITTEN PERMISSION OF BOSTON WHALER, INC.

DWG. NO:
12101

REV.
R

CURRENT ECD
10046799

REVISIONS					
REV.	DESCR.	BY	DATE	APPVD.	ECN NO.
M	ADDED PT#1950698 & 1903624 TO DWG	TJ	9/6/08	AF	08085394
N	ADDED ITEM #33	SBL	05/14/09	BL	09045921
O	Added #34 dockside water inlet warning label #1745162.	AVR	08/18/09	AVR	09076086
P	ADDED ITEM #35 & 36, SHEET 2.	SBL	09/24/09	JDS	09056008
Q	ITEM #23 WAS QTY. 6	BH	10/21/09	ES	09106283
R	DELETED ITEM # 23, SHTS 1 & 2	SLJ	04/29/10		10046799

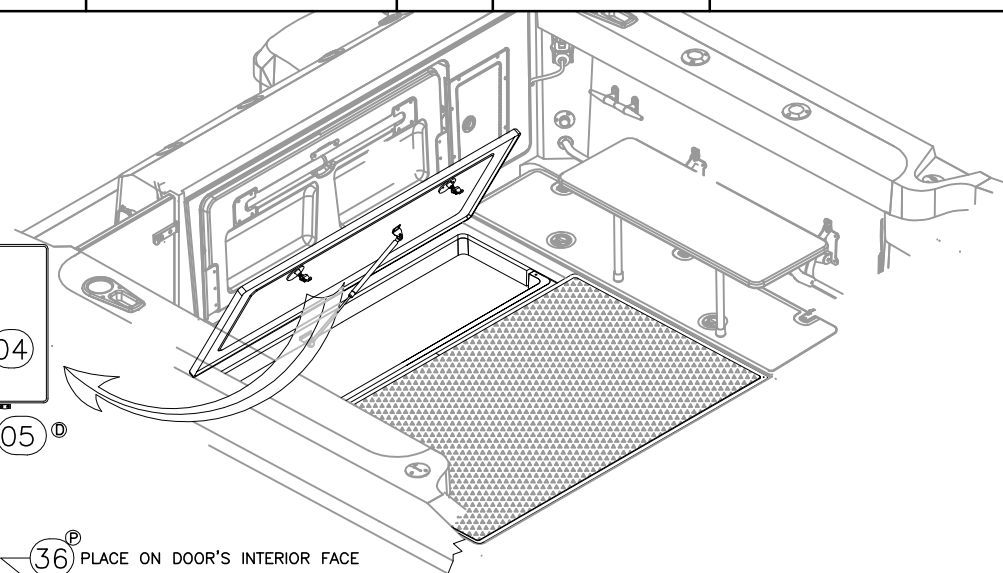
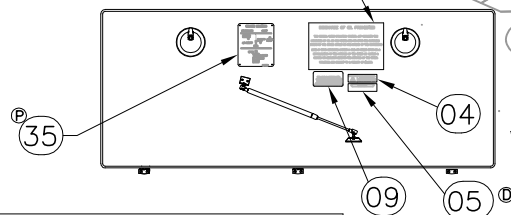


INTERPRET DIMENSIONS AND TOLERANCES PER ANSI Y 14.5 UNLESS OTHERWISE SPECIFIED DIMENSIONS ARE IN INCHES.
TOLERANCES: ANGLES = ± .5° .XXX = ± .010
.X = ± .1 .XX = ± .03 X = ± 1/16
DO NOT SCALE DRAWING



CHECKED: RA	DATE: 11/02/05	DRAWN: HAL READ	DATE: 11/02/05	SCALE: NONE	BOAT MODEL	MOLD NO.
APPD: KR	DATE: 11/02/05	DWG. TITLE:			285CQ	
DESIGN: VPK	DATE: 11/10/05	LABEL LOCATIONS			INIT. REL. ECN NO:	DWG. NO:
INT. ENG: MG	DATE: 12/06/05				050362	12101
					SHT. NO.	
					1	OF 2

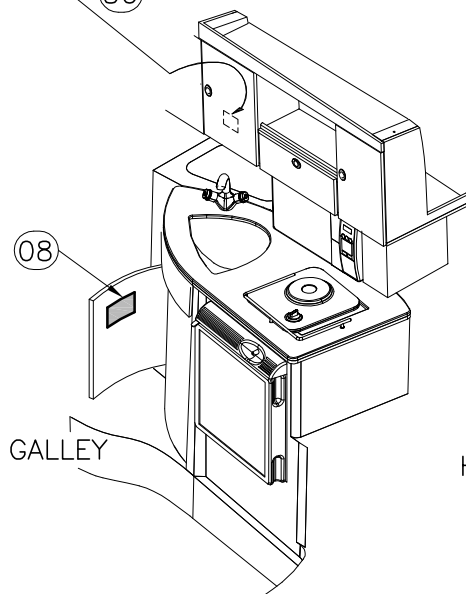
STD: 07 OR
OPT:100-70998 24



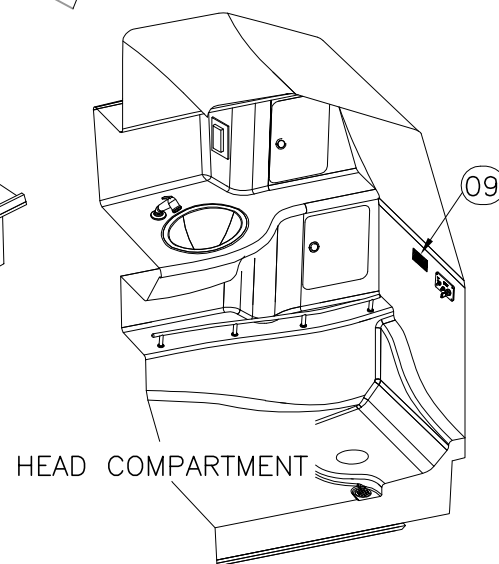
PARTS LIST

ITEM	QTY.	U/M	DESCRIPTION	BWI NO.
	STD.	OPT.		
01	1		EA. LABEL, BW WARNING FUEL GAUGE READ	1016534
02	1		EA. LABEL, BW SAFETY HI-PERF BOAT	1017136
03	1		EA. LABEL, DANGER TRANSOM DOOR (LEXAN)	1743571
04	1		EA. LABEL, WARNING DO NOT STORE FUEL	1691003
05	3		EA. LABEL, BW-07 CAUTION AVOID INJURY BOAT MOVMT	1836858
06	1		EA. LABEL, WARNING RUNNING BOAT W/DOOR OPEN	1743548
07	1	-1	EA. LABEL, DISCHARGE OF OIL (LEXAN)	1744737
08	1		EA. LABEL, DISPOSAL OF GARBAGE	1744745
09	2		EA. LABEL, NOTICE OVERBOARD DISCHARGE (LEXAN)	1745156
10	1		EA. LABEL, 1/2"X 1.5" SHWR DRAIN	1745160
11		1	EA. LABEL, DANGER STAY CLEAR OF MOVING PARTS	1746896
12		1	EA. LABEL, 1/2"X 1.5" A/C CONDENSATE	1751884
13		1	EA. LABEL, WARNING DO NOT OCCUPY SEAT @ OVER 5 MPH	1752857
14	1		EA. LABEL, DANGER CO TRANSOM 06	1811367
15	1		EA. LABEL, DANGER CO HELM 06	1811368
16	1		EA. LABEL, DANGER CO CABIN 06	1812911
17	1	-1	EA. PLATE, NMMA YACHT CERT GAS	0125062
18	1		EA. LABEL, CRESTLINER WARN LEAKING FUEL/E-10	1907336
19	1		EA. PLATE, BW230CQ-97 BATT PARALLEL DETAILS	1051762
20	1		EA. PLATE, BW-05 MAX ENG WT 1400LB/635KG	1774308
21		1	EA. PLATE, BUILDERS CE 08-BW285CQ	1940620
22		1	EA. STICKER, SAFETY CANADIAN CONFOR BW285CQ-06	1803729
23	2	-2	EA. RIVET, POP/BLIND #1/8 X 3/8" ALUM	0192047
24		1	EA. LABEL, PREVENT DISCHARGE OF POLLUTANTS	1745514
25	4		EA. SCREW, TAPPING #6A x 3/8" PTH SC	1734115
26	1		EA. LABEL, INTERMEDIATE BREAKER WARNING	1743509
27	1		EA. DECAL, MERC S-CRFT NETWORKED	1743323
28	2		EA. LABEL, BW CAUTION FISHWELL DRAIN PLUG	1743504
29		1	EA. DECAL, BW-07 SPOTLIGHT CNTRL	1848652
30		1	EA. PLATE, BUILDERS AU BW285CQ- 372 KW	1947647
31		1	EA. DECAL, PROP LABEL DASH	1950698
32		1	EA. DECAL, PROP TRNSM LABEL	1903624
33	1		EA. LABEL, US EPA EVAP EMISSIONS BOSTON WHALER	1967297
34	1		EA. LABEL, LEAVING DOCKSIDE WTR CONNECTED WARNING	1745162
35	1		EA. PLATE, SEACOCK LOCATIONS BW285CQ-10	1978321
36		1	EA. PLATE, PANDA GEN START PROCEDURES BW305CQ-08	1893776

36 PLACE ON DOOR'S INTERIOR FACE



GALLEY



HEAD COMPARTMENT

THIS DOCUMENT IS THE PROPERTY OF BOSTON WHALER, INC. MFG. DEPT., EDGEWATER, FLORIDA. ALL RIGHTS ARE RESERVED. THIS DOCUMENT AND INFORMATION CONTAINED MUST NOT BE COPIED OR DISCLOSED TO OTHERS WITHOUT WRITTEN PERMISSION OF BOSTON WHALER, INC.

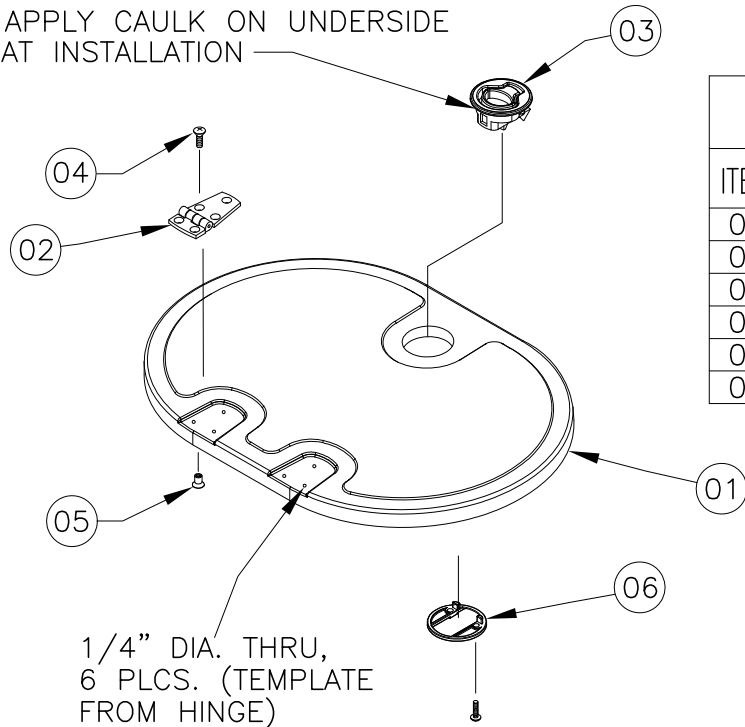
DWG. NO: **09416** REV. **-** CURRENT ECD **050362**

NOTES:

1. REFER TO DWG. 16126 FOR TRIM & GRIND/HOLECUT INFORMATION.
2. ALL FASTENERS SHALL BE SEALED USING WHITE SILICONE SEALANT DURING INSTALL'N. SEALANT SHALL BE SMOOTHED OVER ON BARREL NUTS.
3. REF. DWG. 05126 FOR LAMINATION DETAIL.

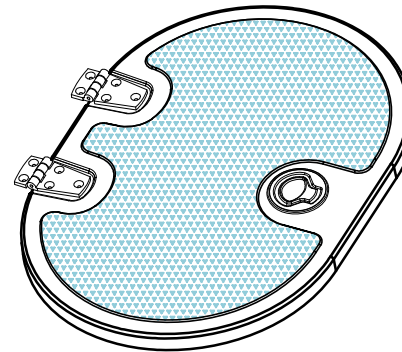
STRIKE  TAPE TO COVER

APPLY CAULK ON UNDERSIDE AT INSTALLATION




PARTS LIST

ITEM	U/M		DESCRIPTION	MRP NO.
01	1	EA.	FIBERGLASS PART, LIVEWELL COVER	22K23700
02	2	EA.	HINGE, DOOR SS 1.5"X 3" THINLINE	1617323
03	1	EA.	LATCH, FLUSH MNT N/LOCKING SLAM SS	1781434
04	6	EA.	SCREW, MACHINE #10-24 X 3/8" POH SC	1690961
05	6	EA.	NUT, BBL #10-24 X 1/4" FH	1689417
06	1	EA.	PLATE, FLAT BRKT 2"SHORT SCREW W/HDWR PKG	1781436



ASSEMBLED VIEW

INTERPRET DIMENSIONS AND TOLERANCES PER ANSI Y 14.5 UNLESS OTHERWISE SPECIFIED DIMENSIONS ARE IN INCHES.
 TOLERANCES: ANGLES = ± .5° .XXX = ± .010
 .X = ± .1 X = ± 1/16
 .XX = ± .03 X = ± 1/16
 DO NOT SCALE DRAWING

 PRODUCT DEV. & MFG. ENGINEERING GROUP	CHECKED: HW	DATE: 8/9/05	DRAWN: J.HALPIN	DATE: 7/26/05	SCALE: NONE	BOAT MODEL	MOLD NO.	
	APPD: KR	DATE: 8/9/05	DWG. TITLE:			285CQ	22K23700	
	DESIGN: VPK	DATE: 8/9/05	LIVEWELL LID SUB ASSY.			INIT. REL. ECN NO:	DWG. NO:	SHT. NO.
	INT. ENG: MG	DATE: 8/10/05				050362	09416	1 OF 1

THIS DOCUMENT IS THE PROPERTY OF BOSTON WHALER, INC. MFG. DEPT., EDGEWATER, FLORIDA. ALL RIGHTS ARE RESERVED. THIS DOCUMENT AND INFORMATION CONTAINED MUST NOT BE COPIED OR DISCLOSED TO OTHERS WITHOUT WRITTEN PERMISSION OF BOSTON WHALER, INC.

DWG. NO:
09435

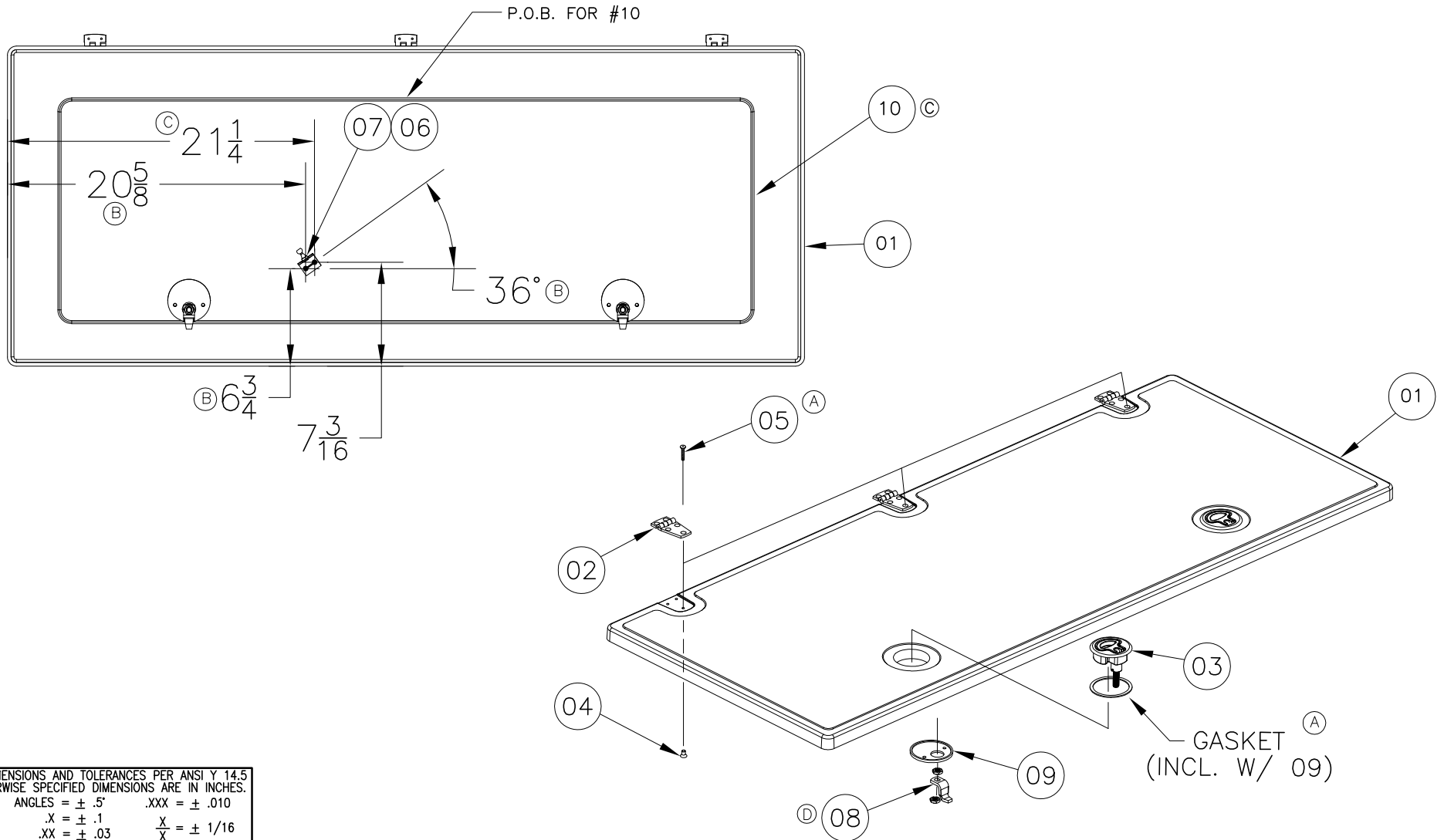
REV.
D

CURRENT ECD
050362

NOTES:

1. ALL FASTENERS SHALL BE SEALED AT INSTALLATION USING WHITE SILICONE SEALANT.
2. BARREL NUTS SHALL BE SMOOTHED OVER WITH WHITE SILICONE AFTER EACH HINGE SCREW IS INSTALLED.
3. REFER TO DWG. 16118 FOR CUTOUTS & TRIM & GRIND.
4. REFER TO DWG. 05118 FOR LAMO. DETAILS.

REVISIONS					
REV.	DESCR.	BY	DATE	APPVD.	ECN NO.
A	GASKET ADDED; #05 WAS #1010545.	RD	8/23/05	KR	050362
B	DIM. CHANGED FROM 19 7/8 X 9 1/8 TO 20 5/8 X 7 3/8. ANGLE CHANGED FROM 14° TO 36°	JH	9/14/05	VPK	050362
C	ADDED #10 & DETAIL NOTE, ADD 21 1/4 DIM	SWH	11/23/05	VPK	050362
D	#8 WAS 1781463	HJR	03/02/06	VPK	050362



INTERPRET DIMENSIONS AND TOLERANCES PER ANSI Y 14.5 UNLESS OTHERWISE SPECIFIED DIMENSIONS ARE IN INCHES.
 TOLERANCES: ANGLES = ± .5° .XXX = ± .010
 .X = ± .1 X = ± 1/16
 .XX = ± .03 X = ± 1/16
 DO NOT SCALE DRAWING



CHECKED: A. DALE	DATE: 8/22/05	DRAWN: J. HALPIN	DATE: 8-17-05	SCALE: NONE	BOAT MODEL	MOLD NO.
APPD: K. RANIERI	DATE: 9/14/05	DWG. TITLE: MECHANICAL ACCESS HATCH SUB-ASSY.			285CQ	22K25100
DESIGN: V. KNIGHT	DATE: 8/22/05				INIT. REL. ECN NO:	DWG. NO:
INT. ENG: M. GATICA	DATE: 9/15/05				050362	09435
						SHT. NO.
						1 OF 2

THIS DOCUMENT IS THE PROPERTY OF BOSTON WHALER, INC. MFG. DEPT., EDGEWATER, FLORIDA. ALL RIGHTS ARE RESERVED. THIS DOCUMENT AND INFORMATION CONTAINED MUST NOT BE COPIED OR DISCLOSED TO OTHERS WITHOUT WRITTEN PERMISSION OF BOSTON WHALER, INC.

DWG. NO:
09435

REV.
D

CURRENT ECD
050362

PARTS LIST

ITEM	QTY.	U/M	DESCRIPTION	B.W.I. NO.
01	1	EA.	MECHANICAL ACCESS HATCH	22-K251-00
02	3	EA.	HINGE, DOOR SS 1.5"X 3" THINLINE	1617323
03	2	EA.	LATCH, COMPRESSION 2.5"N/LOCKING SS	1781446
04	9	EA.	NUT, BBL #10-24 X 3/8" FH	1040187
(A) 05	9	EA.	SCREW, MACHINE #10-24 X 1/2" POH SC	1008432
06	2	EA.	SCREW, TAPPING #8A X 5/8" PTH SC	1010925
07	1	EA.	BRACKET, SS LIFT CYL 90DEG 1"W/STUD	1688166
(D) 08	2	EA.	CATCH, PAWL DEEP OFFSET SS	1791583
09	2	EA.	PLATE, SHALLOW 2.5"W/1/16" LIP HDWR PKG SS	1793455
(C) 10	21	FT.	TRIM-SEAL, #3-2684 SELF-ADH BLK	1815808



INTERPRET DIMENSIONS AND TOLERANCES PER ANSI Y 14.5 UNLESS OTHERWISE SPECIFIED DIMENSIONS ARE IN INCHES.
 TOLERANCES: ANGLES = ± .5° .XXX = ± .010
 .X = ± .1 .XX = ± .03 $\frac{X}{X}$ = ± 1/16
 DO NOT SCALE DRAWING

DRAWN: J.HALPIN DATE: 8-17-05 SCALE: NONE
 DWG. TITLE: MECHANICAL ACCESS HATCH SUB-ASSY.

BOAT MODEL
285CQ

MOLD NO.
22K25100

INIT. REL. ECD NO:
050362

DWG. NO:
09435

SHT. NO.
2 OF 2

THIS DOCUMENT IS THE PROPERTY OF BOSTON WHALER, INC. MFG. DEPT., EDGEWATER, FLORIDA. ALL RIGHTS ARE RESERVED. THIS DOCUMENT AND INFORMATION CONTAINED MUST NOT BE COPIED OR DISCLOSED TO OTHERS WITHOUT WRITTEN PERMISSION OF BOSTON WHALER, INC.

DWG. NO:
09101

REV.
H

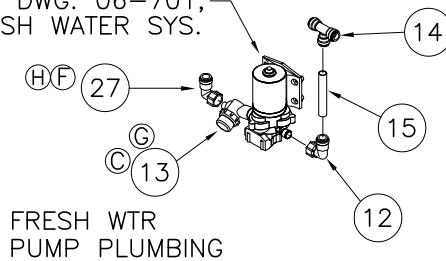
CURRENT ECD
09056008

NOTES:

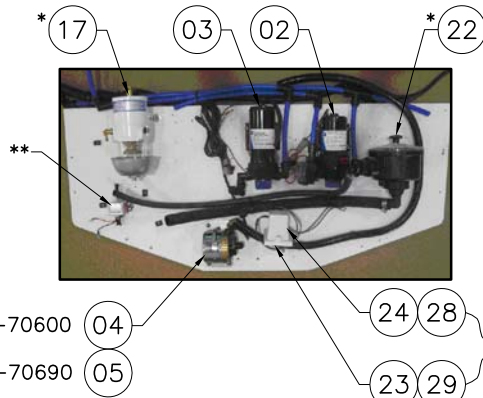
1. CLEATS INCLUDED WITH BULKHEAD (SHIPPED LOOSE)
2. RERER TO DWG. 01-251, FOR TUBING CUT LENGTHS
3. BULKHEAD COMES PRE-DIMPLED ON FWD SIDE
4. DRILL THROUGH WHEN NEEDED.

REVISIONS					
REV.	DESCR.	BY	DATE	APPVD.	ECN NO.
A	ADDED ITEMS #18-21	AT	11/24/06	RA	06103706
B	ADDED AUTOPILOT PUMP DETAIL & ITEMS 22 THRU 25, SHEET 1 & 2	SLJ	03/30/07	AVM	07034090
C	CHANGED PT#1797944 TO 1896340	TKJ	8/22/07	AVM	07064412
D	CHANGED PT#1128172 TO 1903841	TKJ	11/29/07	AVF	07114676
E	CHANGED PT#1688678 TO 1913891	TKJ	12/10/07	AVF	07124781
F	CHANGED PT#1903841,1913891,1453935,1896340,0626101 TO 1945201,1938910,1915918,1915911,1945202 & ADDED 1939505	TKJ	12/10/07	AVF	08095491
G	CHANGED PT#1688678 TO 1913891	TKJ	10/28/08	AF	08095529
H	MYE'10: NEW PUMP LOCATION DETAIL/#'S	SBL	09/24/09		09056008

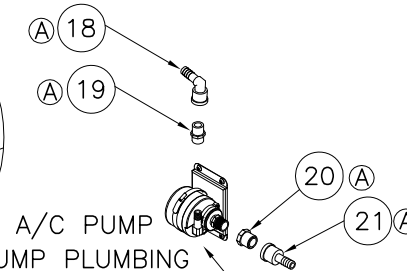
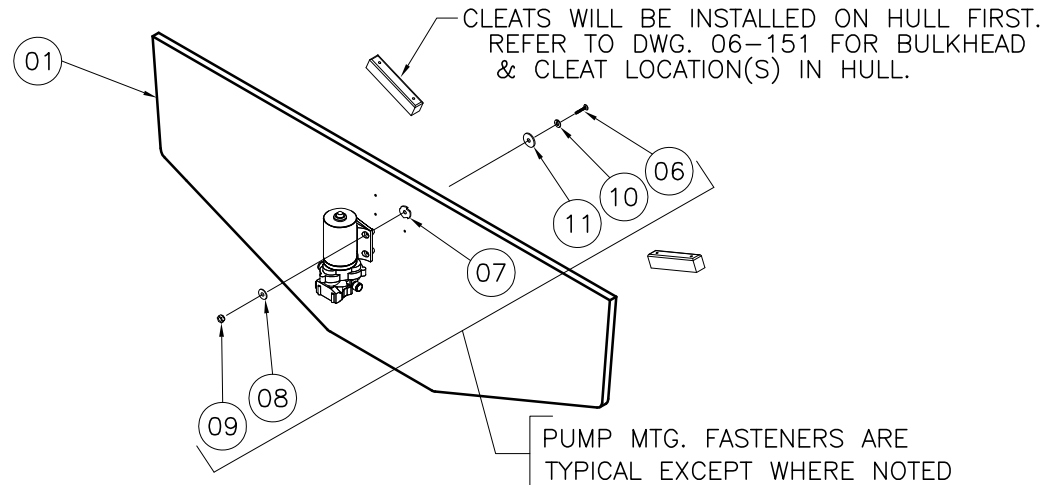
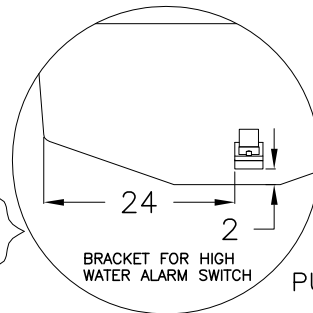
SEE DWG. 06-701,
FRESH WATER SYS.



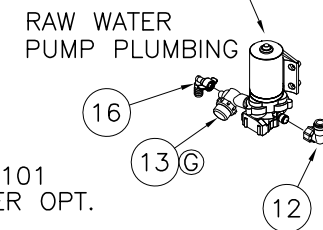
* GENERATOR OPT'S: 100-76101/76102
** INCLUDED W/ GENERATOR



PUMP LOCATION DETAIL



SEE DWG. 06-800
RAW WATER SYS.



SEE DWG. 08-101
AIR CONDITIONER OPT.

INTERPRET DIMENSIONS AND TOLERANCES PER ANSI Y 14.5
UNLESS OTHERWISE SPECIFIED DIMENSIONS ARE IN INCHES.
TOLERANCES: ANGLES = ± .5° .XXX = ± .010
.X = ± .1
.XX = ± .03 X/X = ± 1/16
DO NOT SCALE DRAWING

<p>PRODUCT DEV. & MFG. ENGINEERING GROUP</p>	CHECKED: R.A.	DATE: 10/19/06	DRAWN: A. TUOSTO	DATE: 09/11/06	SCALE: NONE	BOAT MODEL	MOLD NO.
	APPD: K.R.	DATE: 11/08/06	DWG. TITLE:			285CQ	
	DESIGN: V.P.K.	DATE: 11/08/06	MECHANICAL BULKHEAD SUB ASSEMBLY			INIT. REL. ECN NO:	DWG. NO:
	INT. ENG: M.G.	DATE: 11/08/06				06103706	09101
						SHT. NO.	1 OF 2

THIS DOCUMENT IS THE PROPERTY OF BOSTON WHALER, INC. MFG. DEPT., EDGEWATER, FLORIDA. ALL RIGHTS ARE RESERVED. THIS DOCUMENT AND INFORMATION CONTAINED MUST NOT BE COPIED OR DISCLOSED TO OTHERS WITHOUT WRITTEN PERMISSION OF BOSTON WHALER, INC.

DWG. NO:
09101

REV.
H

CURRENT ECD
09056008

PARTS LIST

ITEM	QTY.		U/M	DESCRIPTION	BWI NO.
	STD.	OPT.			
(H) 01	1	-	EA.	BLKHD, PVC BW285CQ-10 MECHANICAL	1972112
(F)(D) 02	1	-	EA.	PUMP, FRESH WTR 3.5GPM W/DEUTSCH	1945201
(F)(E) 03	1	-	EA.	PUMP, WASHDOWN 4.0GPM W/DEUTSCH	1938910
04	-	1	EA.	A/C COMP, PUMP SEAWATER 115V SUBMRS'BL	1212240
05	-	1	EA.	A/C COMP, PUMP SEAWATER 220V SUBMRS'BL	1733794
06	8	12	EA.	SCREW, MACHINE #1/4-20 X 2" PPH SC	1008614
07	8	12	EA.	NUT, TEE #1/4-20 X 5/16" SS	0768564
08	8	12	EA.	WASHER, FLAT #1/4" SC	1260769
09	8	12	EA.	NUT, LOCK #1/4-20 SC STD PATT	1009786
10	8	12	EA.	WASHER, LOCK/SPLIT 1/4" SC	1260595
11	8	12	EA.	WASHER, FENDER 1/4" X 1.25" SC	1260678
(F) 12	2	-	EA.	FITTING, NEPT ELBOW PUMP CONNECTOR 15MM 90DEG	1915918
(C) 13	2	-	EA.	FILTER, IN-LINE WATER STRNR PLUG-IN	1915911
14	1	-	EA.	TEE, SEATECH EQUAL 15MM	1214824
15	0	-	FT.	TUBING, SEATECH 15MM X 11MM BLUE	1210160
(F) 16	1	-	EA.	ADAPTER, PLAS 3/4" BARB STRAIGHT	1945202
(H) 17	-	1	EA.	FILTER, FUEL SGL 500MA 30 MICRON 3/8"FPT	1524065
(A) 18	-	1	EA.	A/C COMP, ADAPTER PVC EL 1/2 FPT X 5/8 HOSE	1733793
(A) 19	-	1	EA.	BUSHING, PVC 1/4"FPT X 1/2"MPT SCH80	1105204
(A) 20	-	1	EA.	A/C COMP, BUSHING 3/4"MPT X 1/2"FPT PVC	1177138
(A) 21	-	1	EA.	ADAPTER, GENOVA 3/4"FPT X 3/4" BARB GREY	0168369
(H)(B) 22	-	1	EA.	STRAINER, MARELON 1.5" WATER INTAKE	1135748
(H)(B) 23	1	-	EA.	SHIM, HDPE BW285CQ-10 FLOAT SW WHT	1973154
(H)(B) 24	1	-	EA.	SWITCH, FLOAT RULE W/CVR MERC FREE	1849537
(H)(B) 25	-	1	EA.	ELBOW, BRASS 90DEG 1/4"MPT X 3/8"BARB	0258285
(H)(B) 26	-	2	EA.	ELBOW, SS 90DEG 1/4"MPT X 9/16"ORFS	1881837
(H)(F) 27	1	-	EA.	FITTING, NEPT EL PUMP CONNECTOR 15MM STRAIGHT	1939505
(H) 28	2	-	EA.	SCREW, TAPPING #8A X 1.25" PTH SC	1130053
(H) 29	4	-	EA.	SCREW, TAPPING #8A X 1.5" PTH SC	1172642



INTERPRET DIMENSIONS AND TOLERANCES PER ANSI Y 14.5 UNLESS OTHERWISE SPECIFIED DIMENSIONS ARE IN INCHES.
TOLERANCES: ANGLES = ± .5° .XXX = ± .010
.X = ± .1
.XX = ± .03
X = ± 1/16
DO NOT SCALE DRAWING

DRAWN: A. TUOSTO DATE: 09/11/06 SCALE: NONE

DWG. TITLE: MECHANICAL BULKHEAD SUB ASSEMBLY

BOAT MODEL
285CQ

MOLD NO.

INIT. REL. ECN NO:
06103706

DWG. NO:
09101

SHT. NO.
2 OF 2

THIS DOCUMENT IS THE PROPERTY OF BOSTON WHALER, INC. MFG. DEPT., EDGEWATER, FLORIDA. ALL RIGHTS ARE RESERVED. THIS DOCUMENT AND INFORMATION CONTAINED MUST NOT BE COPIED OR DISCLOSED TO OTHERS WITHOUT WRITTEN PERMISSION OF BOSTON WHALER, INC.

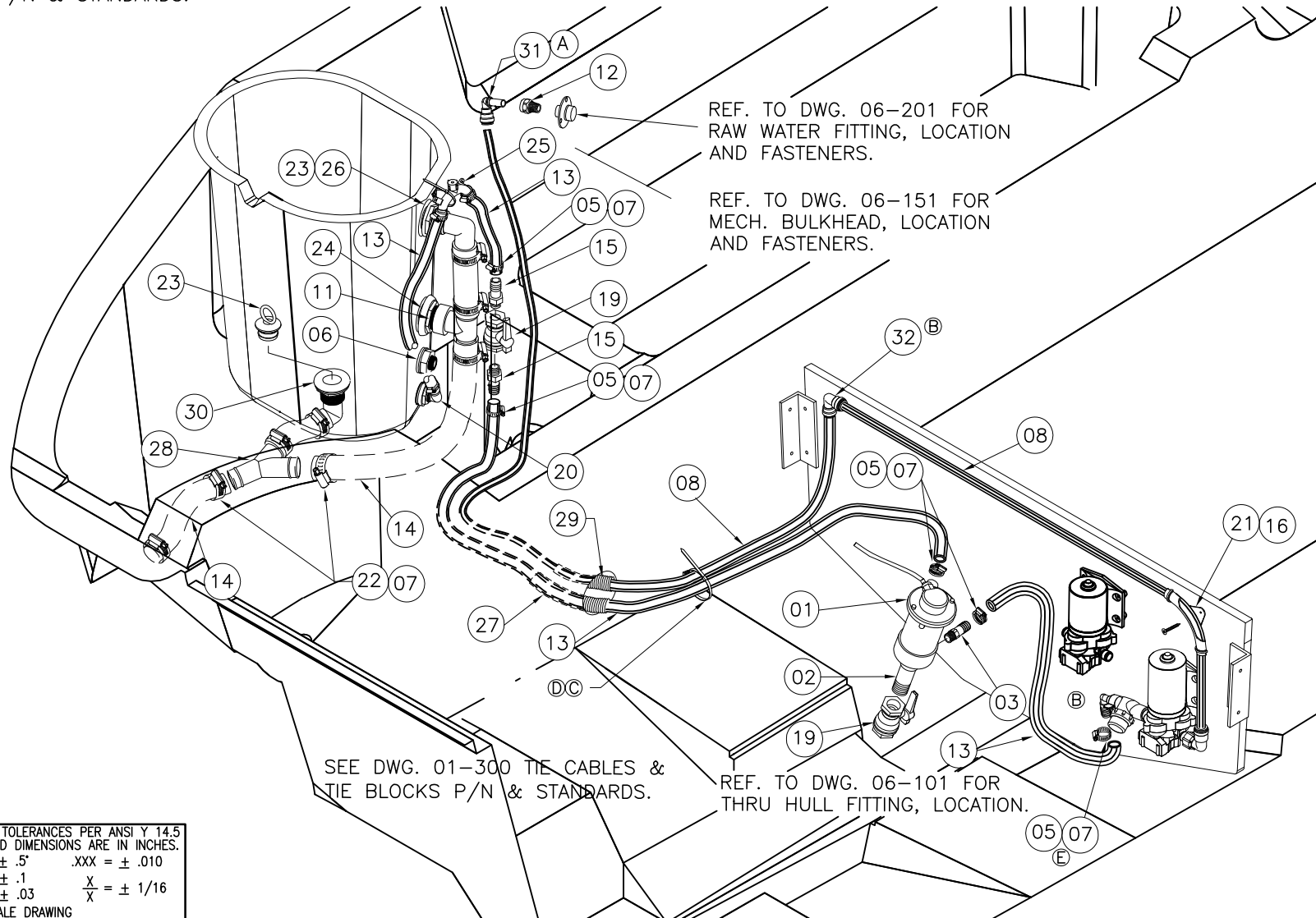
DWG. NO:
06800

REV.
E

CURRENT ECD
08095529

1. ALL HOSE & LINE ROUTINGS SHALL COMPLY WITH NMMA, USCG STANDARDS, & ABYC RECOMMENDED PRATICES. SECURE ALL HOSES EVERY 14", TYP.
2. REFER TO DWG. 01-251 FOR HOSE CUT LENGTHS.
3. APPLY MARINE SEALANT TO ALL DRILLED HOLES JUST PRIOR TO COMPONENT, OR HARDWARE INSTALLATION.
4. SEE DWG. 01-300 FOR TIE CABLES & TIE BLOCKS P/N & STANDARDS.

REVISIONS					
REV.	DESCR.	BY	DATE	APPVD.	ECN NO.
A	ADDED #31	JFH	02/15/06	VPK	050362
B	ITEM 4,9,10 MOVE TO DWG.09101, ADDED SETUP FOR PUMPS	AT	10/23/06	RA	06103706
C	CHANGED PN# & DESCRIPTION ITEM 16, SHEET 1 & 2. WAS 1010925	SLJ	03/21/07	AF	07034030
D	REMOVE ITEMS 17&18 AND ADD NOTES TO REFER DWG. 01-300 & UPDATED QTY ON ITEM 16	JF	06/18/08	AF	08065289
E	INVERTED WATER FILTER TO A DOWNWARD POSITION	TJ	10/28/08	AF	08095529



INTERPRET DIMENSIONS AND TOLERANCES PER ANSI Y 14.5 UNLESS OTHERWISE SPECIFIED DIMENSIONS ARE IN INCHES.
 TOLERANCES: ANGLES = ± .5° .XXX = ± .010
 .X = ± .1 X = ± 1/16
 .XX = ± .03 X = ± 1/16
 DO NOT SCALE DRAWING



CHECKED: A.DALE	DATE: 08/23/05	DRAWN: HAL READ	DATE: 07/15/05	SCALE: NONE	BOAT MODEL	MOLD NO.
APPD: H.WOOD	DATE: 08/24/05	DWG. TITLE: RAW WATER SYSTEM			285CQ	
DESIGN: V.KNIGHT	DATE: 08/24/05				INIT. REL. ECN NO:	DWG. NO:
INT. ENG: M.GATICA	DATE: 08/24/05				050362	06800
						SHT. NO.
						1 OF 2

THIS DOCUMENT IS THE PROPERTY OF BOSTON WHALER, INC. MFG. DEPT., EDGEWATER, FLORIDA. ALL RIGHTS ARE RESERVED. THIS DOCUMENT AND INFORMATION CONTAINED MUST NOT BE COPIED OR DISCLOSED TO OTHERS WITHOUT WRITTEN PERMISSION OF BOSTON WHALER, INC.

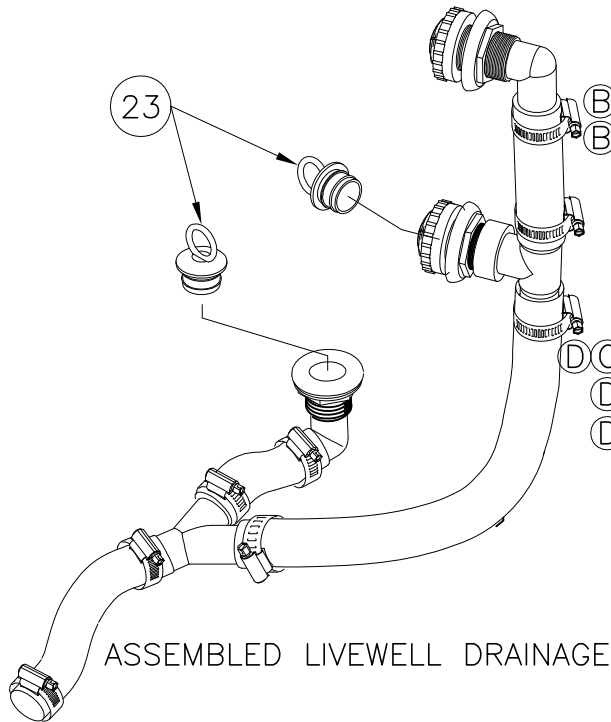
DWG. NO:
06800

REV.
E

CURRENT ECD
08095529

Parts List

ITEM	QTY	U/M	DESCRIPTION	B.W.I.	NO.
	1	EA.	PUMP, LIVEWELL 12V BAIT SENTRY 800GPH	1118751	
(B)	2	EA.	ADAPTER, NYLON 3/4" MPT X 3/4" FPT BLK	1756192	
	3	EA.	ADAPTER, NYLON 1/2" MPT X 3/4" BARB	1738191	
(B)	4	EA.	FILTER, IN-LINE WATER 1/2" MPT X 1/2" NPSF	1797944	
	5	EA.	CLAMP, HOSE #12 1/2"-1.25" SS .505	0256677	
	6	EA.	LIGHT, COURTESY WATERPROOF FRONT MNT W/NUT	1078625	
	7	EA.	COVER, CLAMP END PROT 1/2" L X .045" X .465" RED	0830968	
	8	FT.	TUBING, SEATECH 15MM X 11MM X 250' GRN	1758297	
	9	EA.	ELBOW, PVC 1/2" FPT SWIVEL X 3/4" BARB X 90DEG	0626101	
	10	EA.	FITTING, NEPT 1/2" FEM X 15MM ELB SWVL 90DEG	1453935	
	11	EA.	TEE, PVC 1.5" BARB X 1.5" FPT X 1.5" BARB	1789385	
	12	EA.	ADAPTER, SEATECH STRAIGHT 1/2" MPT-15MM	1542919	
	13	FT.	HOSE, WATER 3/4" BLK REINF PVC	1042100	
	14	FT.	HOSE, SANI 1.5" BLK PVC 149 SERIES	1746048	
	15	EA.	TAILPIECE, MARELON 3/4" MPT X 3/4" BARB	0567925	
	16	EA.	TAPPING #8A X 5/8" PPH TEK SC W/EPXY	1893323	
	17	EA.	TIE, CABLE 6" LG NYLON BLK	0999672	
	18	EA.	TIE, CLIP BLK	1031764	
	19	EA.	VALVE, MARELON BALL 2-WAY 3/4"	0557959	
	20	EA.	DRAIN, BAITWELL 3/4" ELBOW W/HD WHT	1688420	
	21	EA.	CLIP, SEATECH FLOW BEND 15MM X 90 DEG	1425297	
	22	EA.	CLAMP, HOSE #24 1"-2" SS .505	0256693	
	23	EA.	PLUG, DRAIN 1.5" BLK	0907279	
	24	EA.	DRAIN, 1.5" MPT TEE HEAD W/SCRN	1792725	
	25	EA.	BAITWELL SYSTEM, VENTED LOOP 3/4"	1703861	
	26	EA.	DRAIN, 1.5" 90DEG BARB W/SCRN	1792726	
	27	FT.	HOSE, CONDUIT/SPLIT 1.5" FLAME RETARDANT	1501857	
	28	EA.	COUPLING, PVC Y 1.5" BARBED BLK	1747278	
	29	FT.	HOSE, CONDUIT/SPLIT 5/8" FLAME RETARDANT	1543875	
	30	EA.	THRU-HULL, PLAS 1.5" TUBE X 90DEG	0791673	
(A)	31	EA.	ELBOW, SEATECH 90DEG STEM 15MM	1214840	
(B)	32	EA.	ELBOW, SEATECH 90DEG EQUAL 15MM	1214832	



TO THRU HULL



INTERPRET DIMENSIONS AND TOLERANCES PER ANSI Y 14.5 UNLESS OTHERWISE SPECIFIED DIMENSIONS ARE IN INCHES.
 TOLERANCES: ANGLES = ± .5° .XXX = ± .010
 .X = ± .1 .XX = ± .03 X = ± 1/16
 DO NOT SCALE DRAWING

DRAWN: HAL READ

DATE: 07/18/05

SCALE: NONE

BOAT MODEL

MOLD NO.

285CQ

DWG. TITLE:

RAW WATER SYSTEM

INIT. REL. ECN NO:

DWG. NO:

050362

06800

SHT. NO.

2 of 2

THIS DOCUMENT IS THE PROPERTY OF BOSTON WHALER, INC. MFG. DEPT., EDGEWATER, FLORIDA. ALL RIGHTS ARE RESERVED. THIS DOCUMENT AND INFORMATION CONTAINED MUST NOT BE COPIED OR DISCLOSED TO OTHERS WITHOUT WRITTEN PERMISSION OF BOSTON WHALER, INC.

DWG. NO:
08601

REV.
C

CURRENT ECD
09055997

NOTES:

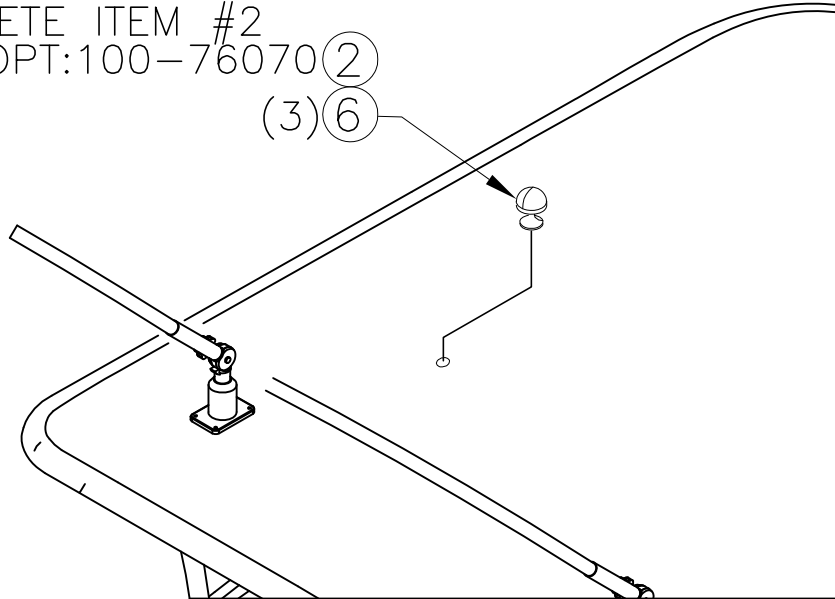
- ITEM 3&4 TO BE PLACED IN OWNERS BAG
- REFER TO DWG 16121 FOR HOLE CUT LOCATIONS.

REVISIONS					
REV.	DESCR.	BY	DATE	APPVD.	ECN NO.
A	DELETED PT#1848863	TKJ	4/2/08	AF	08035048
B	MYE-"10", ADDED SATELLITE WEATHER	SLJ	06/23/09		09056007
C	MYE-"10", #1 WAS 1847461	BH	7/22/09		09055997

SATELLITE WEATHER
OPTION: 100-76070

SATELLITE RADIO
OPTION: 100-75669

ⓐ DELETE ITEM #2
W/OPT:100-76070



PARTS LIST

ITEM	100-75669		ⓑ 100-76070		ⓐ 700-00015		DESCRIPTION	B.W.I. NO.
	QTY.	QTY.	QTY.	QTY.	U/M			
ⓐ 1	1	-	-	-	EA.		STEREO, SIRIUS SATELLITE RCVR SCC1BL-6MO	1967759
2	1	-	-	1	EA.		ANTENNA, SHAKESPEARE SATELLITE RADIO ANTENNA	1757933
3	1	-	-	-	EA.		PACKET, SIRIUS WELCOME KIT	1766115
4	1	-	-	-	EA.		DECAL, SIRIUS "NOW PLAYING INSIDE"	1806416
5	6	4	-	-	EA.		SCREW, TAPPING #8A X 5/8" PTH SC	1010925
6	3	3	-	-	EA.		SCREW, TAPPING #10A X 3/4" PTH SC	1008762
Ⓐ 7	1	1	-	-	EA.		MOUNT, BASE SATELLITE ANTENNA SHAKESPEARE	1848863
ⓑ 8	-	1	-	-	EA.		MODULE, SR100 SIRIUS WEATHER	1946747
ⓐ 9	-	-	1	-	EA.		CABLE, SIRIUS ANTENNA "Y"(1 ANT/2 REC)	1967760

INTERPRET DIMENSIONS AND TOLERANCES PER ANSI Y 14.5 UNLESS OTHERWISE SPECIFIED DIMENSIONS ARE IN INCHES.
TOLERANCES: ANGLES = ± .5° .XXX = ± .010
.X = ± .1 .XX = ± .03
X/X = ± 1/16
DO NOT SCALE DRAWING

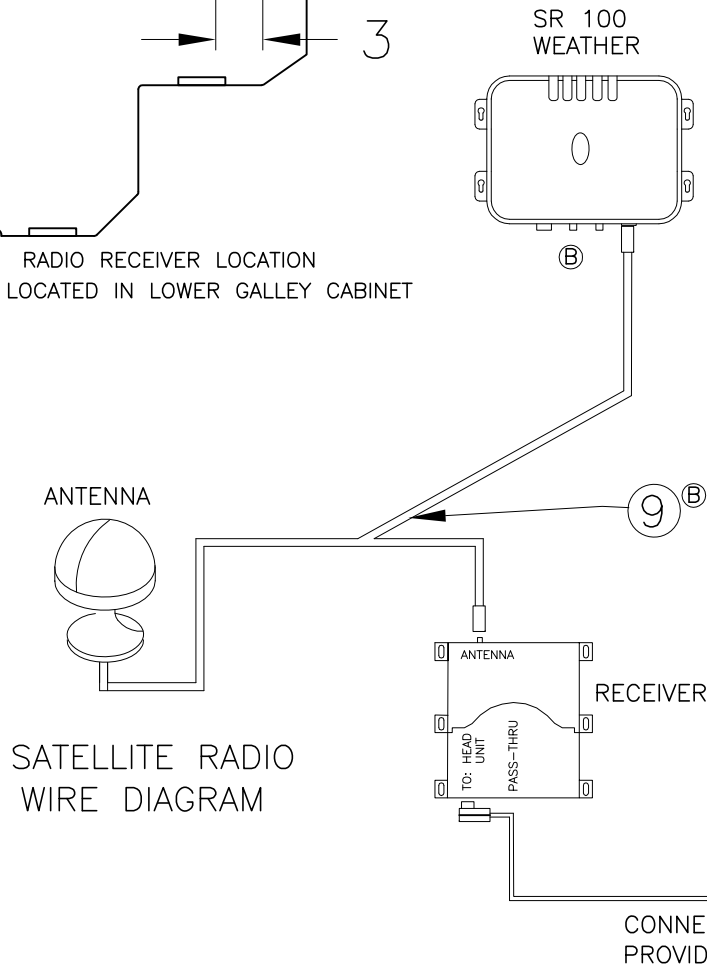
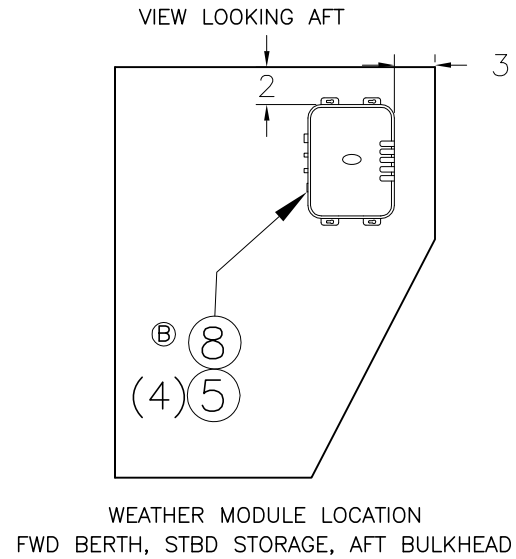
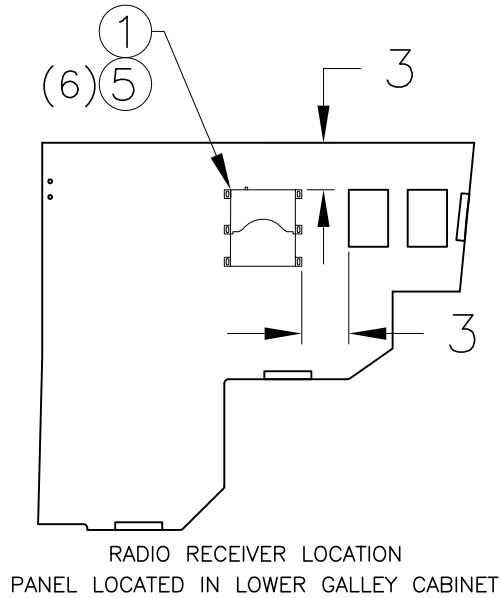
<p>PRODUCT DEV. & MFG. ENGINEERING GROUP</p>	CHECKED: NA	DATE: 5/26/06	DRAWN: S. HIESTER	DATE: 05/24/06	SCALE: NONE	BOAT MODEL	MOLD NO.
	APPD: KR	DATE: 5/26/06	DWG. TITLE:			285CQ	
	DESIGN: VPK	DATE: 5/30/06	SATELLITE RADIO			INIT. REL. ECN NO:	DWG. NO:
	INT. ENG: MG	DATE: 5/30/06			060560	08601	SHT. NO.
							1 of 2

THIS DOCUMENT IS THE PROPERTY OF BOSTON WHALER, INC. MFG. DEPT., EDGEWATER, FLORIDA. ALL RIGHTS ARE RESERVED. THIS DOCUMENT AND INFORMATION CONTAINED MUST NOT BE COPIED OR DISCLOSED TO OTHERS WITHOUT WRITTEN PERMISSION OF BOSTON WHALER, INC.

DWG. NO:
08601

REV.
C

CURRENT ECD
09055997



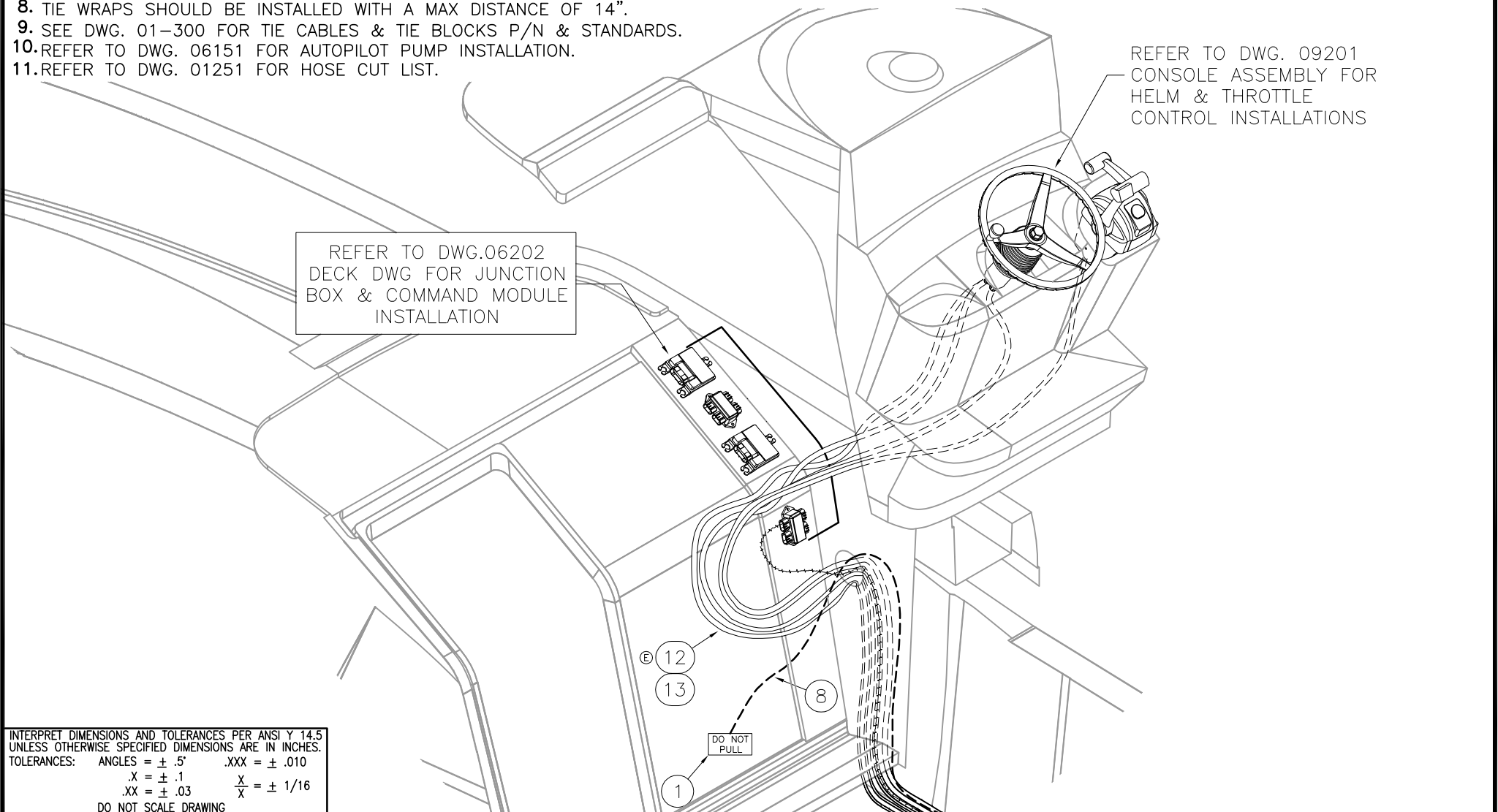
THIS DOCUMENT IS THE PROPERTY OF BOSTON WHALER, INC. MFG. DEPT., EDGEWATER, FLORIDA. ALL RIGHTS ARE RESERVED. THIS DOCUMENT AND INFORMATION CONTAINED MUST NOT BE COPIED OR DISCLOSED TO OTHERS WITHOUT WRITTEN PERMISSION OF BOSTON WHALER, INC.

DWG. NO: 10401	REV. N	CURRENT ECD 10066931
-------------------	-----------	-------------------------

NOTES:

- CONNECT CABLES IN ACCORDANCE W/MANUFACTURER'S INSTALLATION SHEET.
- CABLES TO BE SECURED SEPARATELY FROM ELECTRICAL & FUEL LINES.
- ROUTE CABLES TO AVOID TWIST OR KINKING.
- HYDRAULIC STEERING HOSE MUST BE PROTECTED FROM CHAFING.
- MIN. BEND RADIUS FOR HYDRAULIC STEERING HOSE IS 3½".
- ALL CABLES ARE TO BE RUN PRIOR TO CAPPING.
- BLEED SYSTEM ACCORDING TO MANUFACTURER'S SPEC.
- TIE WRAPS SHOULD BE INSTALLED WITH A MAX DISTANCE OF 14".
- SEE DWG. 01-300 FOR TIE CABLES & TIE BLOCKS P/N & STANDARDS.
- REFER TO DWG. 06151 FOR AUTOPILOT PUMP INSTALLATION.
- REFER TO DWG. 01251 FOR HOSE CUT LIST.

REVISIONS					
REV.	DESCR.	BY	DATE	APPVD.	ECN NO.
M	ADDED PN 1790999 ELBOW BR 9/16" ORFS FEMALE X MALE FITTINGS	DC	9/15/09	ST	09086096
N	MYE"11", DELETED ITEMS 14-16 SHTS 2 & 3, OPT WAS 100-02256, SHT 3 ADDED #31, SHT 4 & 5. ADJUSTED QTYS SHT 5	SLJ	06/04/10		10066931



INTERPRET DIMENSIONS AND TOLERANCES PER ANSI Y 14.5 UNLESS OTHERWISE SPECIFIED DIMENSIONS ARE IN INCHES.
 TOLERANCES: ANGLES = ± .5° .XXX = ± .010
 .X = ± .1 X = ± 1/16
 .XX = ± .03 X = ± 1/16
 DO NOT SCALE DRAWING



CHECKED: RA	DATE: 9/16/05	DRAWN: M.ZAFFUTO	DATE: 08/17/2005	SCALE: NONE	BOAT MODEL 285CQ	MOLD NO.
APPD: KR	DATE: 9/16/05	DWG. TITLE: STEERING/THROTTLE SYSTEM INSTALLATION			INIT. REL. ECN NO: 050362	DWG. NO: 10401
DESIGN: VPK	DATE: 9/19/05					SHT. NO. 1 of 5
INT. ENG: MG	DATE: 9/19/05					

THIS DOCUMENT IS THE PROPERTY OF BOSTON WHALER, INC. MFG. DEPT., EDGEWATER, FLORIDA. ALL RIGHTS ARE RESERVED. THIS DOCUMENT AND INFORMATION CONTAINED MUST NOT BE COPIED OR DISCLOSED TO OTHERS WITHOUT WRITTEN PERMISSION OF BOSTON WHALER, INC.

DWG. NO:
10401

REV.
N

CURRENT ECD
10066931

SEE DWG# 01-300 TIE CABLES & TIE BLOCKS P/N & STANDARDS

REFER TO DWG. 06203
DECK ASSEMBLY FOR
BOOT INSTALLATIONS

OPT: 020-70405
OPT: 020-79999

5 6

7

STD. & OPT.
100-70402
DELETE W/OPTS:
020-70405
020-79999

N

IGNITION HARNESS
P/S

STEERING HOSES P/S
11 020-70405
020-79999

9 (3) P/S OPT: A
020-70405
020-79999

DO NOT PULL



INTERPRET DIMENSIONS AND TOLERANCES PER ANSI Y 14.5 UNLESS OTHERWISE SPECIFIED DIMENSIONS ARE IN INCHES.
TOLERANCES: ANGLES = ± .5° .XXX = ± .010
.X = ± .1 X = ± 1/16
.XX = ± .03 X = ± 1/16
DO NOT SCALE DRAWING

DRAWN: M.ZAFFUTO DATE: 08/17/05 SCALE: NONE
DWG. TITLE: STEERING/THROTTLE SYSTEM INSTALLATION

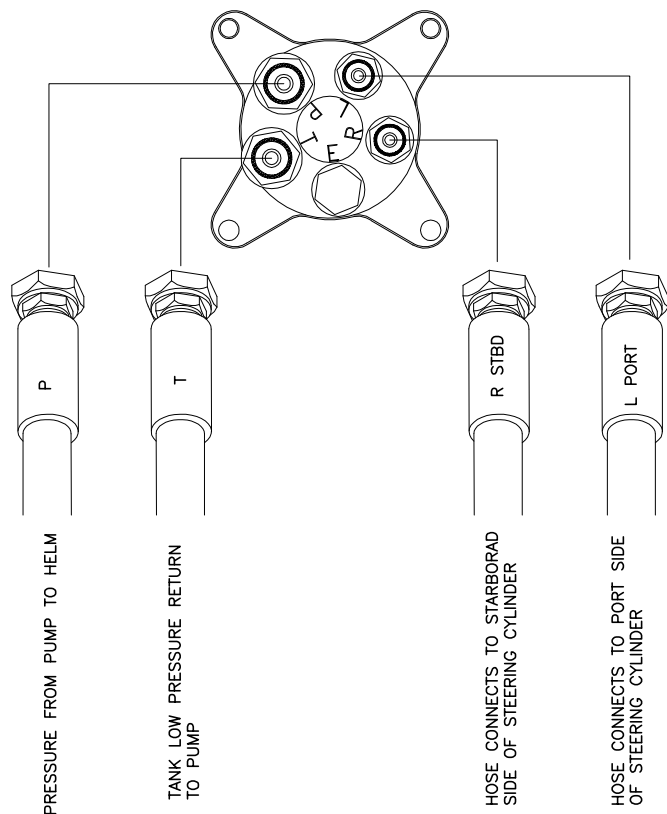
BOAT MODEL
285CQ
INIT. REL. ECN NO:
050362

MOLD NO.
DWG. NO:
10401

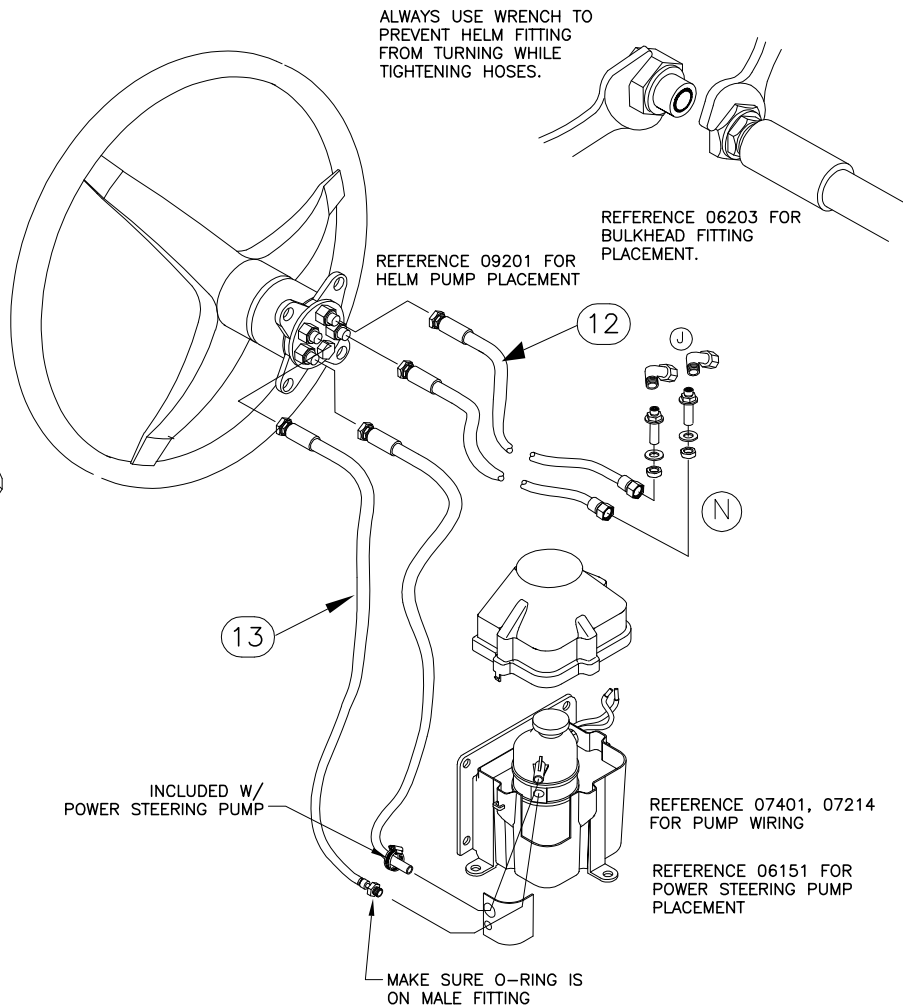
SHT. NO.
2 of 5

NOTES:

1. SYSTEM REQUIRES FILING AND BLEEDING. REFER TO INSTRUCTIONS SUPPLIED WITH POWER STEERING PUMP.
2. USE ONLY SAE 0W-30 FULL SYNTHETIC POWER STEERING FLUID SUPPLIED W/ POWER STEERING PUMP.
3. TO PREVENT DEBRIS FORM ENTERING HOSES DO NOT REMOVE THE PROTECTOR CAPS FROM THE HOSE ENDS UNTIL CONNECTING THE HOSES.
4. WITH OPT# 100-70402, INSTALL 2ea ITEM 17 AND PRE-BLEED AND LEAK CHECK STEERING SYSTEM.



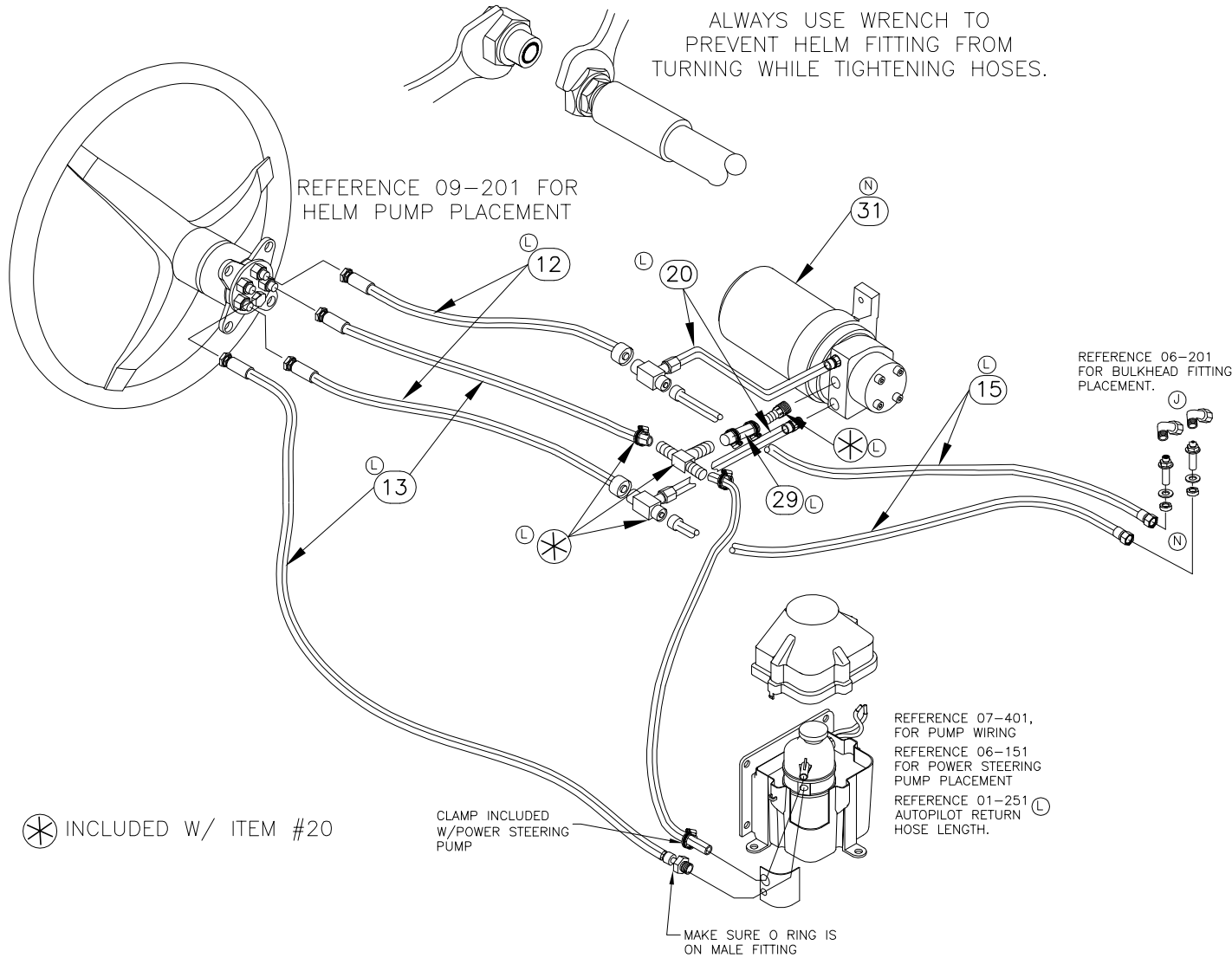
① 020-70272 225 CXL DUAL VERADO 4-STROKE (DTS) MERCURY
100-70402 (MPJ ONLY) DUAL VERADO PRE-RIG



NOTES:

1. ITEM #26 USED ON ALL HOSE CLAMPS, 6 PLCS.

OPT:100-02255[®]



THIS DOCUMENT IS THE PROPERTY OF BOSTON WHALER, INC. MFG. DEPT., EDGEWATER, FLORIDA. ALL RIGHTS ARE RESERVED. THIS DOCUMENT AND INFORMATION CONTAINED MUST NOT BE COPIED OR DISCLOSED TO OTHERS WITHOUT WRITTEN PERMISSION OF BOSTON WHALER, INC.

DWG. NO:
10401

REV.
N

CURRENT ECD
10066931

(N)

PARTS LIST

QTY.							DESCRIPTION	B.W.I. NO.
ITEM	STD	79999 70405	70402	02255	U/M			
1	2	-	-	-	EA.	TAG, BW DO NOT PULL RIGGING	0999755	
(K)(H) 2	4				EA.	SCREW, TAPPING #8A X 5/8" PPH TEK SC W/EPXY	1893323	
(K) 3	4				EA.	TIE, CLIP BLK	1031764	
(K) 4	4				EA.	TIE, CABLE 11" MED NYLON BLK	0157321	
5	-	1	-	-	GL	FLUID, HYDRAULIC AEROSHELL #41 (NOT SHOWN)	1807698	
6	-	1	-	-	EA.	STEERING, HYD CYLINDER O/B PIVOT	1095728	
(B) 7	1	-1	1	-	EA.	TIE BAR, O/B L6 KIT MERC 32"-34"	1839612	
8	26	-	-	-	FT.	CORD, NYLON 1/8" WHT	1033372	
(A) 9	-	6	-	-	EA.	SCREW, TAPPING #8A X 3/4" POH SC	1213057	
(L) 10	1	-1	1	-	EA.	HARNES, ENG MERC DATA 14-PIN 25'	1781337	
11	-	1	-1	-	EA.	STEERING, O/B HOSE KIT 26' W/BHD FTG 1 HOSE	1275700	
(E) 12	1	-1	1	-	EA.	STEERING, O/B HOSE KIT PWR PK/HELM 20' W/2 HS	1772678	
13	1	-1	1	-1	EA.	STEERING, O/B HOSE KIT CYL/HELM 24' W/2 HOSES	1772677	
(N) 14	2	-2	2	-	EA.	STEERING, TEE FITTING FEMALE 9/16"	1784176	
(N) 15	-	-	-	1	EA.	STEERING, O/B HOSE KIT CYL/HELM 4' W/2 HOSES	1781350	
(N) 16	1	-1	1	-	EA.	STEERING, HYD CYL O/B MERC	1784177	
(C) 17	-	-	2	-	EA.	ACC PART, KIT MERC FITTING CYL RESTRICTOR	1849386	
(L)(D) 18				1	EA.	COLLAR, RIG TUBE FUEL HOSE PRT BLK	1838019	
(L)(D) 19				2	FT.	HOSE, CONDUIT/SPLIT 1/4" FLAME RETARDANT	1501808	
(L)(D) 20	-	-	-	1	EA.	AUTO PILOT, VERADO HOSE KIT	1965755	
(L)(D) 21				1	EA.	STEERING, O/B HOSE KIT CYL/HELM 22' W/2 HOSES	1778945	
(L)(D) 22				1	EA.	AUTO PILOT, NRTHSTR TYPE I PUMP UNIT	1807922	
(L)(D) 23				2	EA.	FITTING, SS 1/4"MPT X 9/16"ORFS	1846438	
(L)(D) 24				1	EA.	FITTING, BRASS 1/4"MPT X 3/8"BARB	1043397	
(L)(D) 25				2	EA.	CLAMP, HOSE #06M 5/16" 7/8" SS MINI	0123398	
(L)(D) 26	-	-	-	6	EA.	COVER, CLAMP END PROT 1/2"L X.035"X.30"RED	0830976	
(L)(D) 27				1	EA.	ELBOW, BRASS 90DEG 1/4"MPT X 3/8"BARB	0258285	
(L)(D) 28				2	EA.	ELBOW, SS 90DEG 1/4"MPT X 9/16"ORFS	1881837	
(L)(D) 29	-	-	-	-	FT.	HOSE, FUEL 3/8" TYPE A CLASS 1-15 ISO/CE/CARB	1884011	
(L)(F) 30				1	EA.	STEERING, O/B HOSE KIT CYL/HELM 8' W/2 HOSES	1880892	
(N) 31	-	-	-	1	EA.	AUTO PILOT, TYPE I PUMP 12VDC	1718176	



INTERPRET DIMENSIONS AND TOLERANCES PER ANSI Y 14.5 UNLESS OTHERWISE SPECIFIED DIMENSIONS ARE IN INCHES.
 TOLERANCES: ANGLES = ± .5° .XXX = ± .010
 .X = ± .1 X = ± 1/16
 .XX = ± .03

DO NOT SCALE DRAWING

DRAWN: M.ZAFFUTO

DATE: 08/17/05

SCALE: NONE

BOAT MODEL

MOLD NO.

285CQ

DWG. TITLE:

STEERING/THROTTLE SYSTEM INSTALLATION

INIT. REL. ECN NO:

DWG. NO:

SHT. NO.

050362

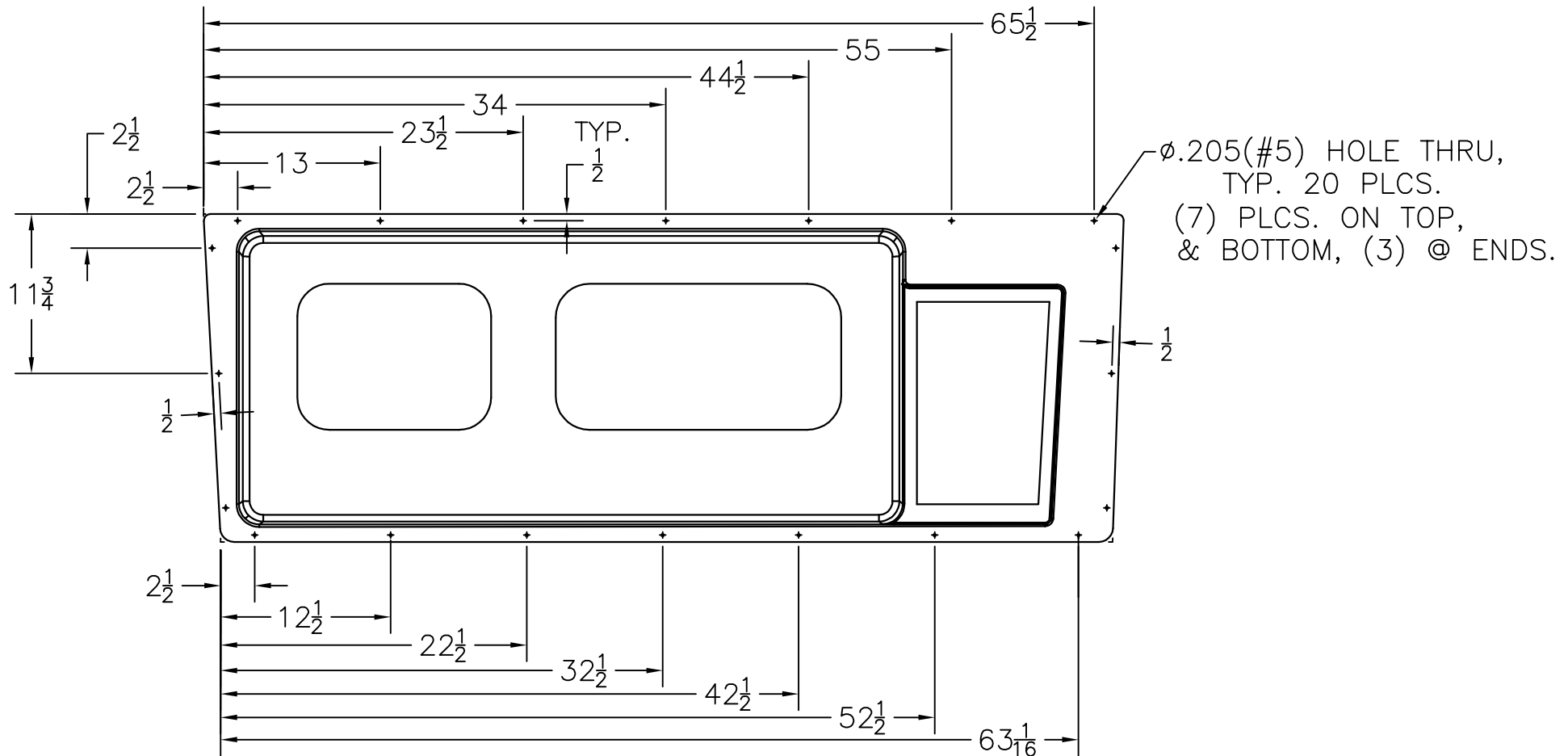
10401

5 of 5

NOTES:

1. REFER TO DWGS. 22-K239-00 AND 22-K248-00 FOR LAMINATION INFORMATION.
2. REFER TO DWG. 16-107 FOR SEAT PAN INSERT CUTOUTS.
3. APPLY WHITE SILICONE TO ALL FASTENERS ENTERING THE SEAT BASE. ENTERING THE SEAT BASE.

REVISIONS					
REV.	DESCR.	BY	DATE	APPVD.	ECN NO.
E	# 11 WAS 1007764	SMH	06/08/06	AVM	0604144
F	PART # 1369677, ITEM # 08, CHANGE TO # 1878781	TKJ	04/25/07	AVF	0704277
G	CHANGED PT#0189415 TO 1781122	TKJ	9/25/07	AVF	07094569
H	ADDED ITEM #'S 25 & 26 TO SHEETS 2 & 5.	SBL	10/16/09	RA	09056008



INTERPRET DIMENSIONS AND TOLERANCES PER ANSI Y 14.5
UNLESS OTHERWISE SPECIFIED DIMENSIONS ARE IN INCHES.
TOLERANCES: ANGLES = ± .5° .XXX = ± .010
.X = ± .1 .X = ± 1/16
.XX = ± .03 X

DO NOT SCALE DRAWING

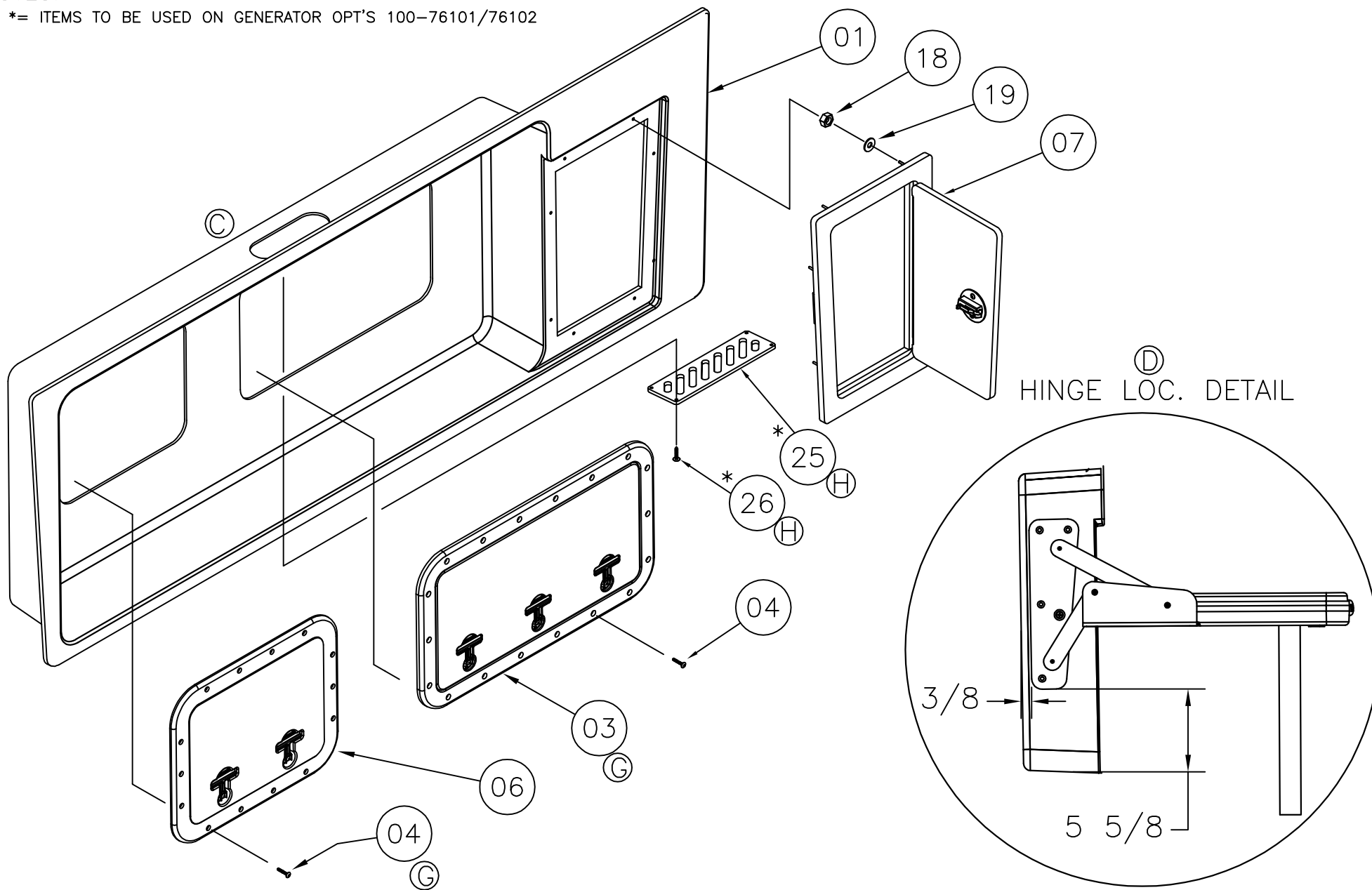
SEAT PAN PERIMETER FASTENER HOLE PATTERN

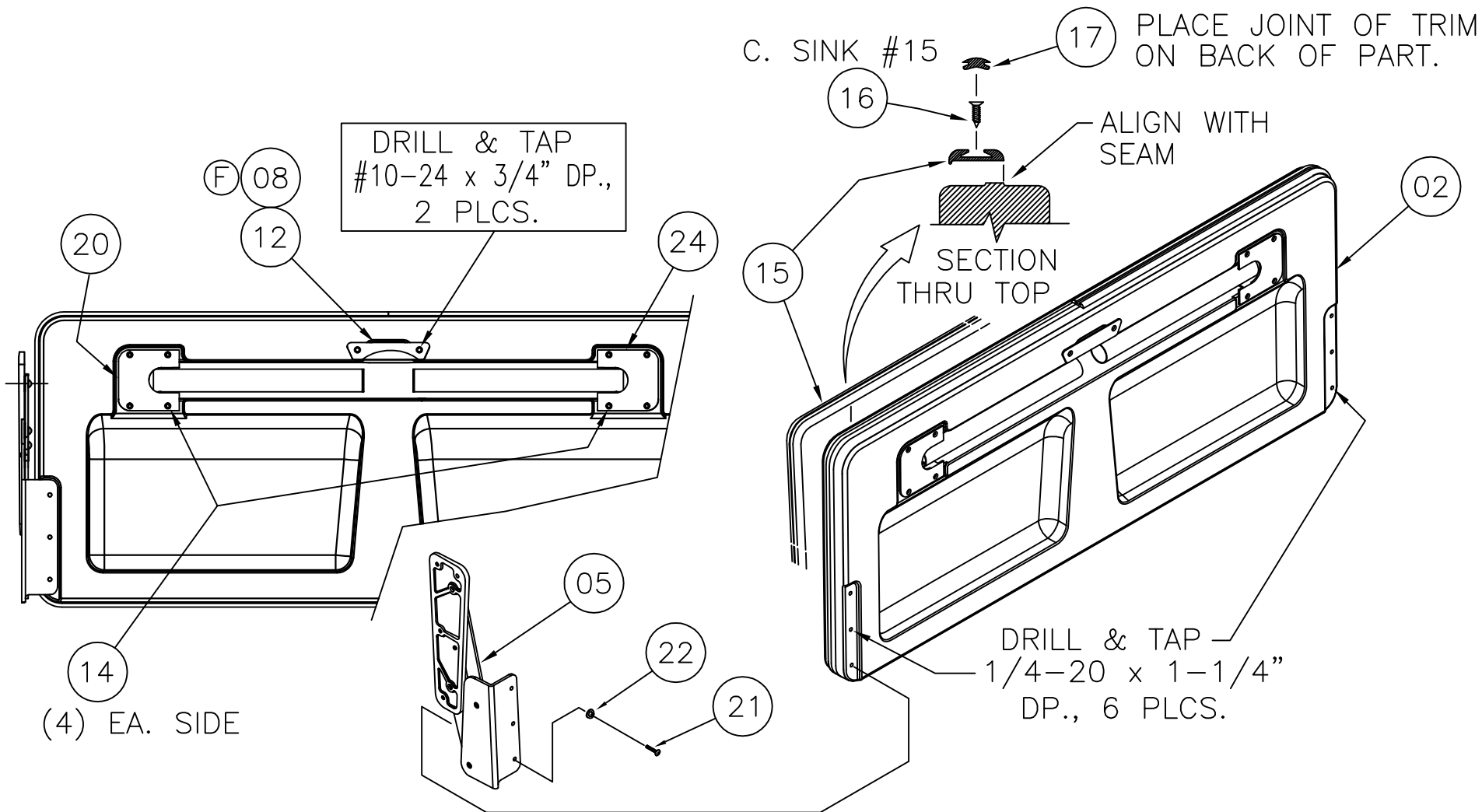


CHECKED: H. WOOD	DATE: 8/23/05	DRAWN: R.DURHAM	DATE: 08/18/05	SCALE: NONE	BOAT MODEL 285CQ	MOLD NO.
APPD: K. RANIERI	DATE: 8/23/05	DWG. TITLE: STERN SEAT SUB-ASSY.			INIT. REL. ECN NO: 050362	DWG. NO: 09409
DESIGN: V. KNIGHT	DATE: 8/23/05				SHT. NO. 1 of 5	
INT. ENG: M.GATICA	DATE: 8/31/05					

NOTES:

1. *= ITEMS TO BE USED ON GENERATOR OPT'S 100-76101/76102



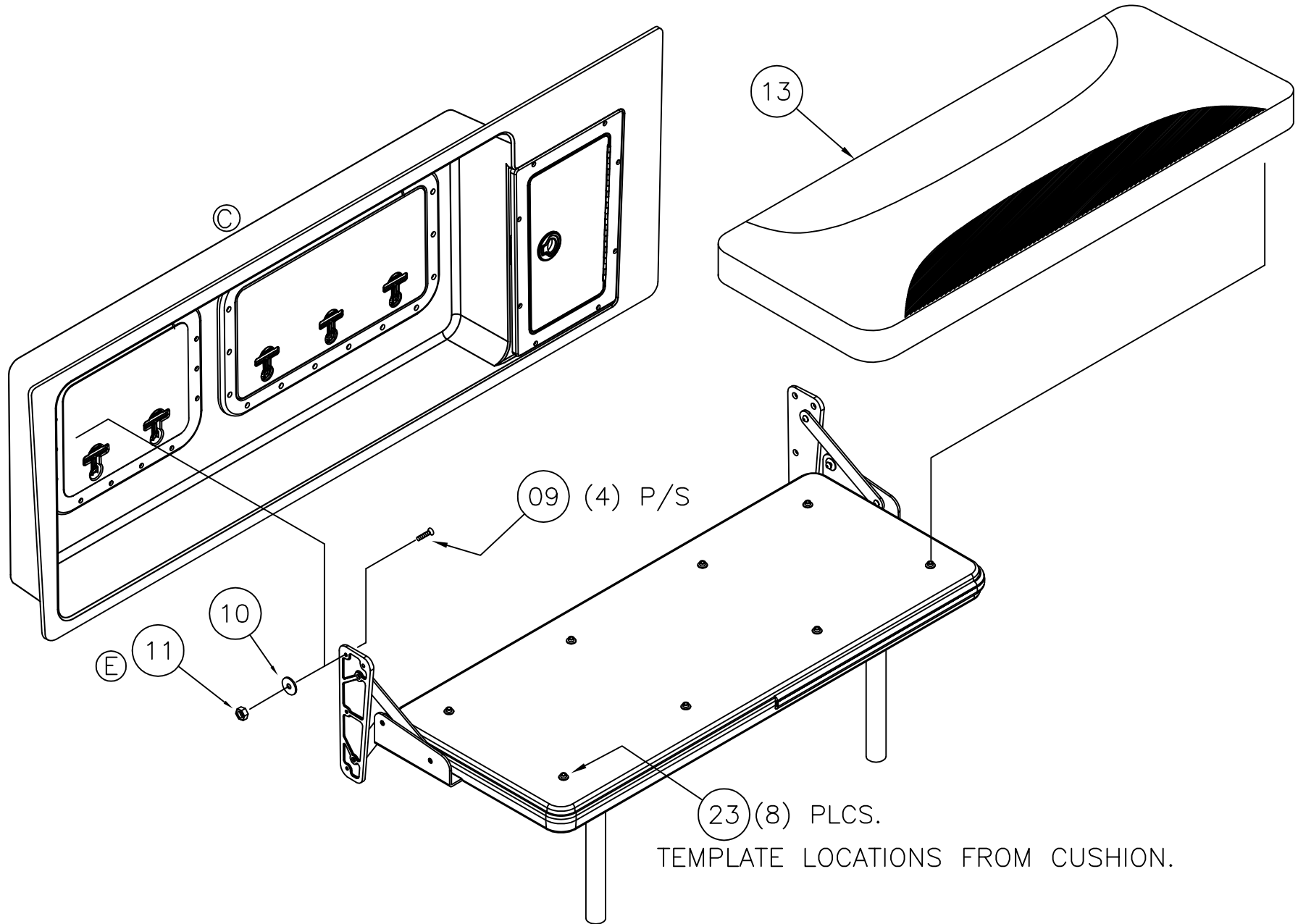


THIS DOCUMENT IS THE PROPERTY OF BOSTON WHALER, INC. MFG. DEPT., EDGEWATER, FLORIDA. ALL RIGHTS ARE RESERVED. THIS DOCUMENT AND INFORMATION CONTAINED MUST NOT BE COPIED OR DISCLOSED TO OTHERS WITHOUT WRITTEN PERMISSION OF BOSTON WHALER, INC.

DWG. NO:
09409

REV.
H

CURRENT ECD
09056008



TEMPLATE LOCATIONS FROM CUSHION.



INTERPRET DIMENSIONS AND TOLERANCES PER ANSI Y 14.5 UNLESS OTHERWISE SPECIFIED DIMENSIONS ARE IN INCHES.
 TOLERANCES: ANGLES = ± .5° .XXX = ± .010
 .X = ± .1 X = ± 1/16
 .XX = ± .03
 DO NOT SCALE DRAWING

DRAWN: R.DURHAM

DATE: 08/18/05

SCALE: NONE

BOAT MODEL

MOLD NO.

285CQ

DWG. TITLE:

STERN SEAT SUB-ASSY.

INIT. REL. ECN NO:

DWG. NO:

SHT. NO.

050362

09409

4 OF 5

PARTS LIST

ITEM	QTY.		U/M	DESCRIPTION	BWI NO.
	STD.	OPT.			
01	1	-	EA.	FIBERGLASS PART, SEAT PAN INSERT	22-K239-00
02	1	-	EA.	FIBERGLASS PART, SEAT PAN BASE	22-K248-00
03	1	-	EA.	HATCH, UTILITY 13"X 23" WHT	0682302
(G) 04	32	-	EA.	SCREW, MACHINE #10-24 X	1781122
(A) 05	2	-	EA.	HINGE ASSY, BW-05 FOLDING SEAT ELECTRO POLISH	1789218
06	1	-	EA.	HATCH, UTILITY 13.5"X 16.5" WHT	1719060
07	1	-	EA.	DOOR, HDPE BW305CQ-04 SEAT PAN	1754889
(F) 08	1	-	EA.	HANDLE, SS BW-08 PULL	1878781
09	8	-	EA.	SCREW, MACHINE #1/4-20 X 1.25" PFH SC	1213289
10	8	-	EA.	WASHER, FENDER 1/4"X 1.25" SC	1260678
(E) 11	8	-	EA.	NUT, LOCK #1/4-20 SC STD PATT	1009786
12	2	-	EA.	SCREW, MACHINE #10-24 x 5/8" POH SC	1010545
13	1	-	EA.	CUSH, BW285CQ-06 STERN SEAT BASE	1808849
(C)(B) 14	8	-	EA.	SCREW, TAPPING #10A X 1" POH SC	1008507
15	11.5	-	FT.	TRIM, VINYL RIGID 1"X 1/4"X 16' WHT	1746050
16	28	-	EA.	SCREW, TAPPING #6A x 5/8" PFH SC	1010396
17	11.5	-	FT.	INSERT, VINYL TAN 1"X 1/4"X 300	1746051
18	8	-	EA.	NUT, HEX NYLON LOCK #10-24 SC	1007772
19	8	-	EA.	WASHER, FLAT #10 SC	1260751
(A) 20	1	-	EA.	SUPPORT, BW-02 LEG FLDNG 13.75"STERN ST LH	1689420
21	6	-	EA.	SCREW, MACHINE #1/4-20 X 1.25" PPH SC	1260975
22	6	-	EA.	WASHER, LOCK/SPLIT 1/4" SC	1260595
23	8	-	EA.	SNAP STUD, W/#8 X 3/8" PH BR/NI/SS	203786
24	1	-	EA.	SUPPORT, BW-02 LEG FLDNG 13.75"STERN ST RH	1689421
(H)(C)(B) 25	-	1	EA.	VENT, COMPARTMENT ABS BW-04	1755030
(H) 26	-	4	EA.	SCREW, TAPPING #8A X 1/2" PTH SC	1008812

THIS DOCUMENT IS THE PROPERTY OF BOSTON WHALER, INC. MFG. DEPT., EDGEWATER, FLORIDA. ALL RIGHTS ARE RESERVED. THIS DOCUMENT AND INFORMATION CONTAINED MUST NOT BE COPIED OR DISCLOSED TO OTHERS WITHOUT WRITTEN PERMISSION OF BOSTON WHALER, INC.

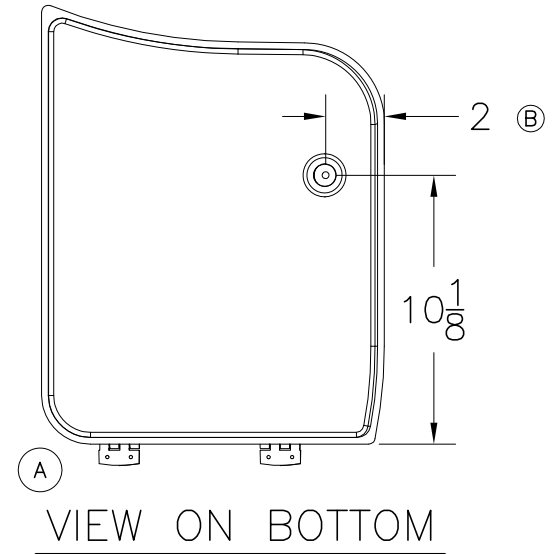
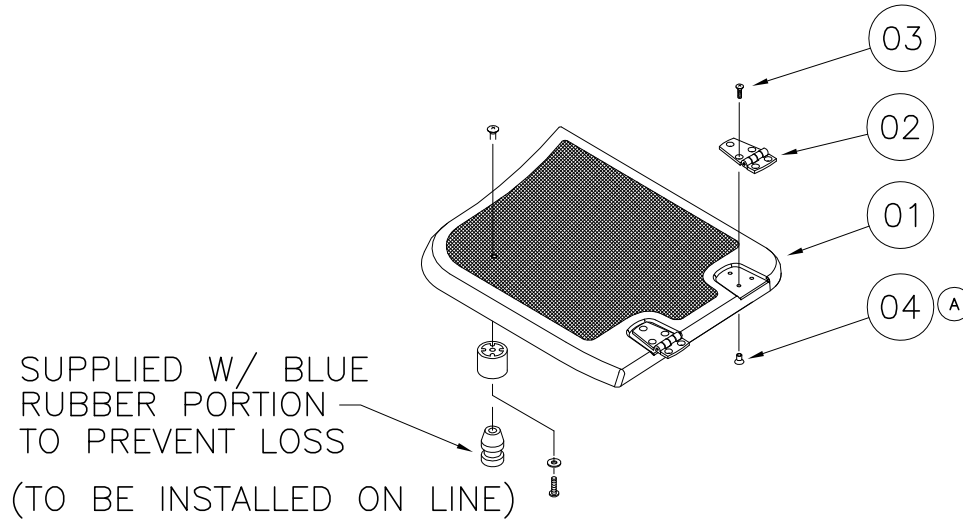
DWG. NO: 09422 REV. C CURRENT ECD 07013889

NOTES:

1. REFER TO DWG. 05115 FOR LAMINATION DETAILS.
2. REFER TO DWG.16115 FOR TRIM & GRIND DETAILS.
3. ALL FASTENERS SHALL BE SEALED AT INSTALLATION USING WHITE SILICONE SEALANT. BARREL NUT ENDS SHALL BE SEALED AND SMOOTHED OVER AFTER HINGE SCREWS HAVE BEEN INSTALLED.

REVISIONS					
REV.	DESCR.	BY	DATE	APPVD.	ECN NO.
A	ADDED #'S 5,6,7,8. ADDED BOTTOM VIEW. #4 WAS 1040187	JFH	10-12-05	VPK	050362
B	DIM WAS 2 3/16	HJR	11-28-05	VPK	050362
C	MOVED ITEMS 5 THRU 8 TO DWG # 06203	SLJ	01/26/07	DJW	07013889

NOTE: REFERENCE ONLY



PARTS LIST

ITEM	STD. QTY.	U/M	DESCRIPTION	MRP NUMBER
01	1	EA.	FIBERGLASS PART, SWIM LADDER COVER	22K23800
02	2	EA.	HINGE, DOOR SS 1.5"X 3" THINLINE	1617323
03	6	EA.	SCREW, MACHINE #10-24 X 1/2" POH SC	1008432
(A) 04	6	EA.	BBL #10-24 X 1/4" FH	1689417
(C) (A) 05	1	EA.	STOP, DOOR HOLDER RBR BLUE	1142348
(C) (A) 06	1	EA.	SCREW, MACHINE #10-24 x 3/4" POH SC	1008440
(C) (A) 07	1	EA.	WASHER, FLAT #10 SC	1260751
(C) (A) 08	1	EA.	NUT, BBL #10-24 X 3/8" TH CHR/BR	1040211

INTERPRET DIMENSIONS AND TOLERANCES PER ANSI Y 14.5 UNLESS OTHERWISE SPECIFIED DIMENSIONS ARE IN INCHES.
 TOLERANCES: ANGLES = ± .5° .XXX = ± .010
 .X = ± .1 X = ± 1/16
 .XX = ± .03 X = ± 1/16
 DO NOT SCALE DRAWING

<p>BOSTON WHALER PRODUCT DEV. & MFG. ENGINEERING GROUP</p>	CHECKED: R.AVILA	DATE: 8/02/05	DRAWN: J.HALPIN	DATE: 7-28-05	SCALE: NONE	BOAT MODEL	MOLD NO.	
	APPD: K.RANIERI	DATE: 8/03/05	DWG. TITLE:			285CQ	22K23800	
	DESIGN: V.KNIGHT	DATE: 8/03/05	SWIM LADDER COVER SUB ASSEMBLY				INIT. REL. ECN NO:	DWG. NO:
	INT. ENG: MG	DATE: 11/28/05					050362	09422
							SHT. NO.	
							1 OF 1	

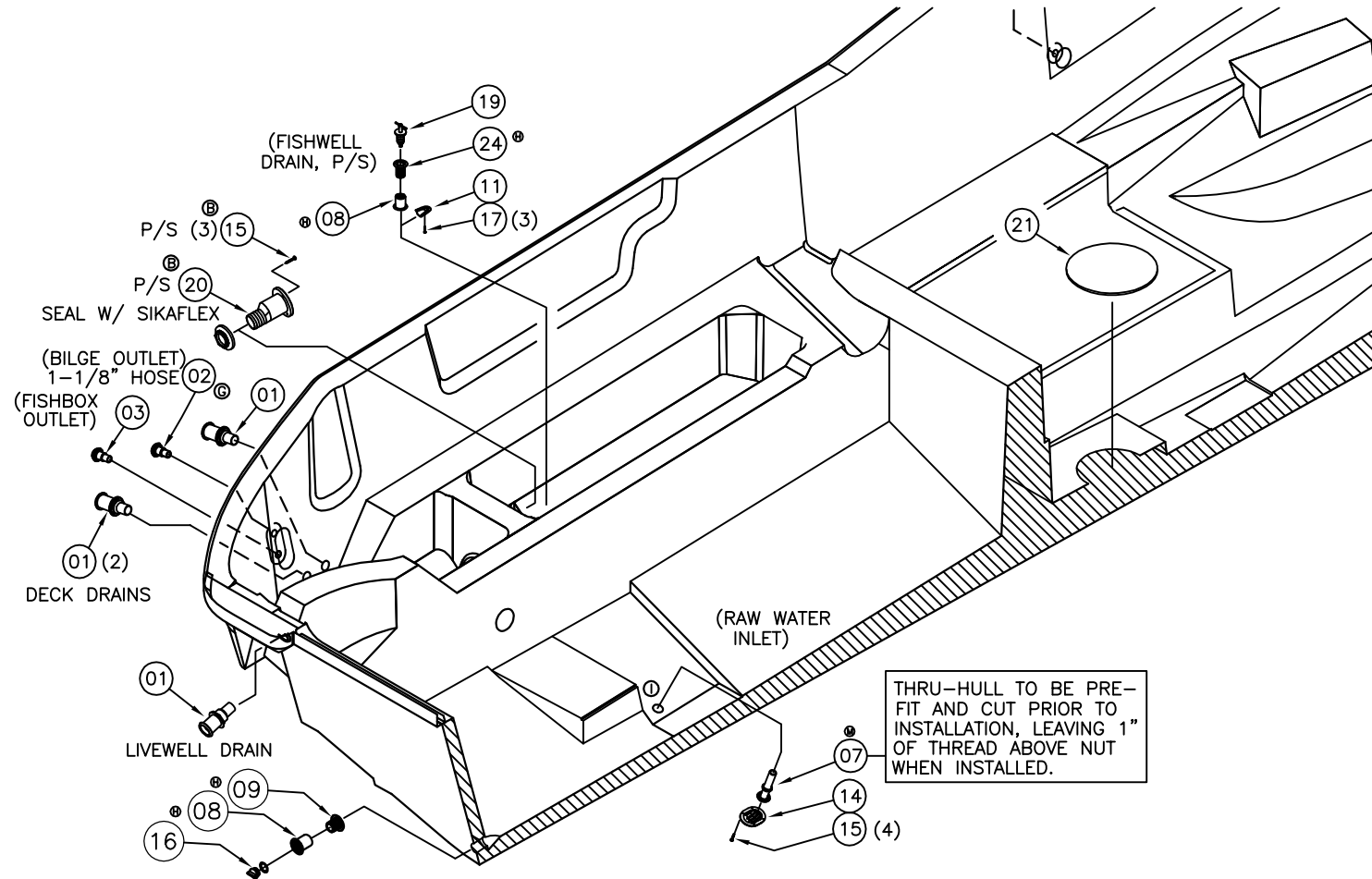
THIS DOCUMENT IS THE PROPERTY OF BOSTON WHALER, INC. MFG. DEPT., EDGEWATER, FLORIDA. ALL RIGHTS ARE RESERVED. THIS DOCUMENT AND INFORMATION CONTAINED MUST NOT BE COPIED OR DISCLOSED TO OTHERS WITHOUT WRITTEN PERMISSION OF BOSTON WHALER, INC.

DWG. NO: 06101
 REV. N
 CURRENT ECD 10066958

NOTES:

1. ALL THRU HULLS IN THE BOTTOM OF THE HULL MUST PASS THROUGH A CURED PUTTY BOX.
2. ALL THRU HULLS SHALL BE INSTALLED USING URETHANE ADHESIVE ON INTERNAL & EXTERNAL GEL COAT SURFACES.
3. ALL FASTENINGS INTO THE HULL MUST BE SEALED WITH MARINE ADHESIVE, SEATED FLUSH AND HAVE NO BURRS.
4. REFER TO DWG. #01-251 FOR HOSE CUT LIST.
5. REFER TO DWG #16-501 FOR HOLE CUTOUT DETAILS.

REVISIONS					
REV.	DESCR.	BY	DATE	APPVD.	ECN NO.
J	ADDED WATER HEATER OVBD THRU HULL, ITEM 04, SHEETS 3 & 6	SLJ	02/08/07	AVM	07013912
K	CHANGED PT# 1689111,1687508,1521418,1521434,1688448 TO 1838234,1907839,1919746,1907838,1907840	TJ	9/02/08	AF	08085440
L	CHANGED 866889 TO 1961706 AND 1961534	SG	8/13/09	-	09025784
M	Changed 1691075 to 1968013 and 1032499 to 1966383	SG	8/20/09	AVR	09035834
N	MYE"11", ADDED UNDERWATER LTS #27 & #28 & NOTES, SHT 5 & 6	SLJ	06/21/10		10066958



THRU-HULL TO BE PRE-FIT AND CUT PRIOR TO INSTALLATION, LEAVING 1" OF THREAD ABOVE NUT WHEN INSTALLED.

INTERPRET DIMENSIONS AND TOLERANCES PER ANSI Y 14.5 UNLESS OTHERWISE SPECIFIED DIMENSIONS ARE IN INCHES.
 TOLERANCES: ANGLES = ± .5° .XXX = ± .010
 .X = ± .1 X = ± 1/16
 .XX = ± .03 X = ± 1/16
 DO NOT SCALE DRAWING



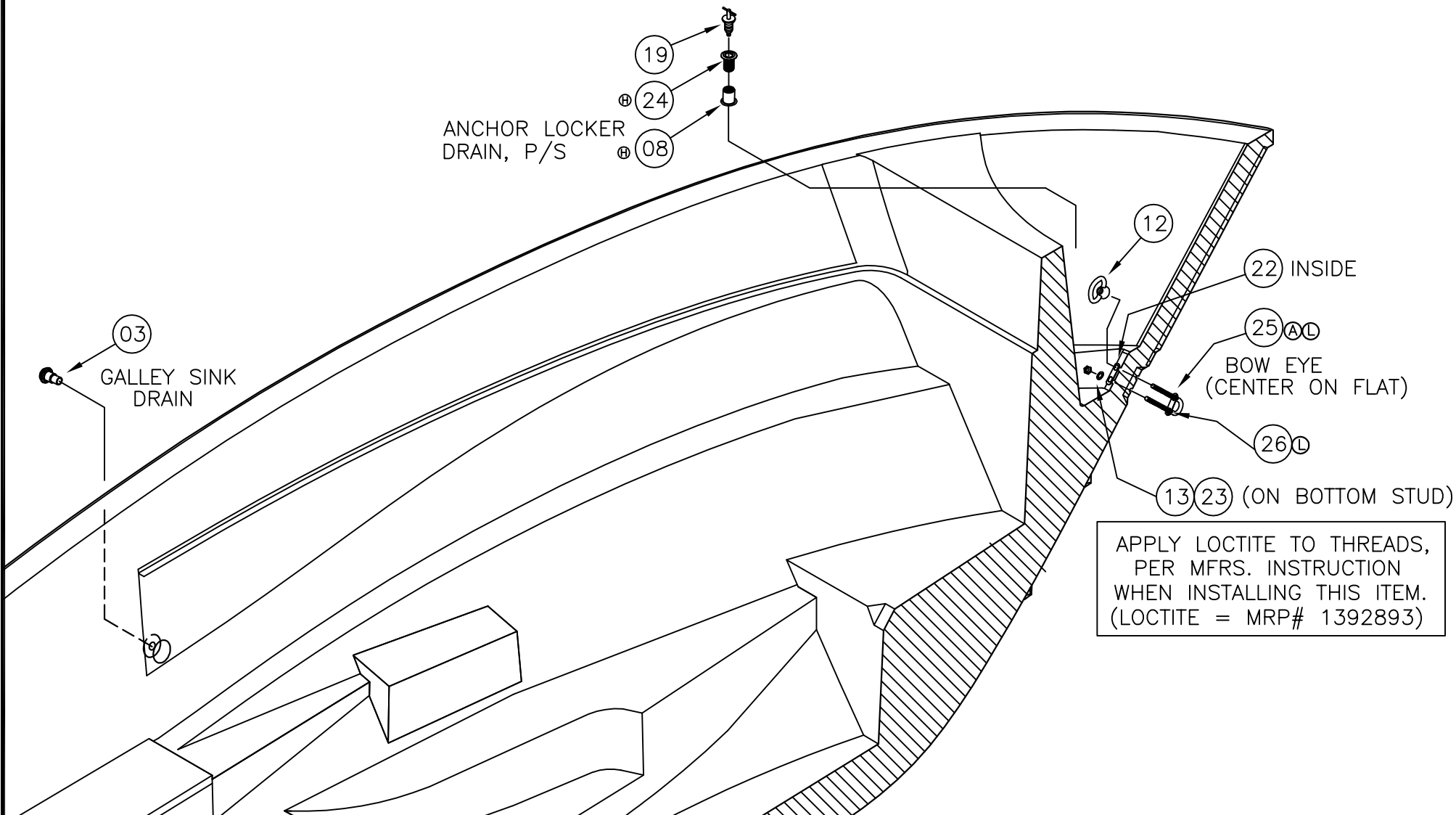
CHECKED: RA	DATE: 8/2/05	DRAWN: R. DURHAM	DATE: 07/27/05	SCALE: NONE	BOAT MODEL	MOLD NO.
APPD: KR	DATE: 8/3/05	DWG. TITLE:			285CQ	22K22600
DESIGN: VPK	DATE: 8/3/05	THRU-HULLS			INIT. REL. ECN NO:	DWG. NO:
INT. ENG: MG	DATE: 9/1/05				050362	06101
						SHT. NO.
						1 OF 6

THIS DOCUMENT IS THE PROPERTY OF BOSTON WHALER, INC. MFG. DEPT., EDGEWATER, FLORIDA. ALL RIGHTS ARE RESERVED. THIS DOCUMENT AND INFORMATION CONTAINED MUST NOT BE COPIED OR DISCLOSED TO OTHERS WITHOUT WRITTEN PERMISSION OF BOSTON WHALER, INC.

DWG. NO:
06101

REV.
N

CURRENT ECD
10066958



INTERPRET DIMENSIONS AND TOLERANCES PER ANSI Y 14.5 UNLESS OTHERWISE SPECIFIED DIMENSIONS ARE IN INCHES.
 TOLERANCES: ANGLES = ± .5° .XXX = ± .010
 .X = ± .1 X = ± 1/16
 .XX = ± .03
 DO NOT SCALE DRAWING

DRAWN: R.DURHAM

DATE: 7/27/05

SCALE: NONE

BOAT MODEL

285CQ

MOLD NO.

22K22600

DWG. TITLE:

THRU-HULLS

INIT. REL. ECN NO:

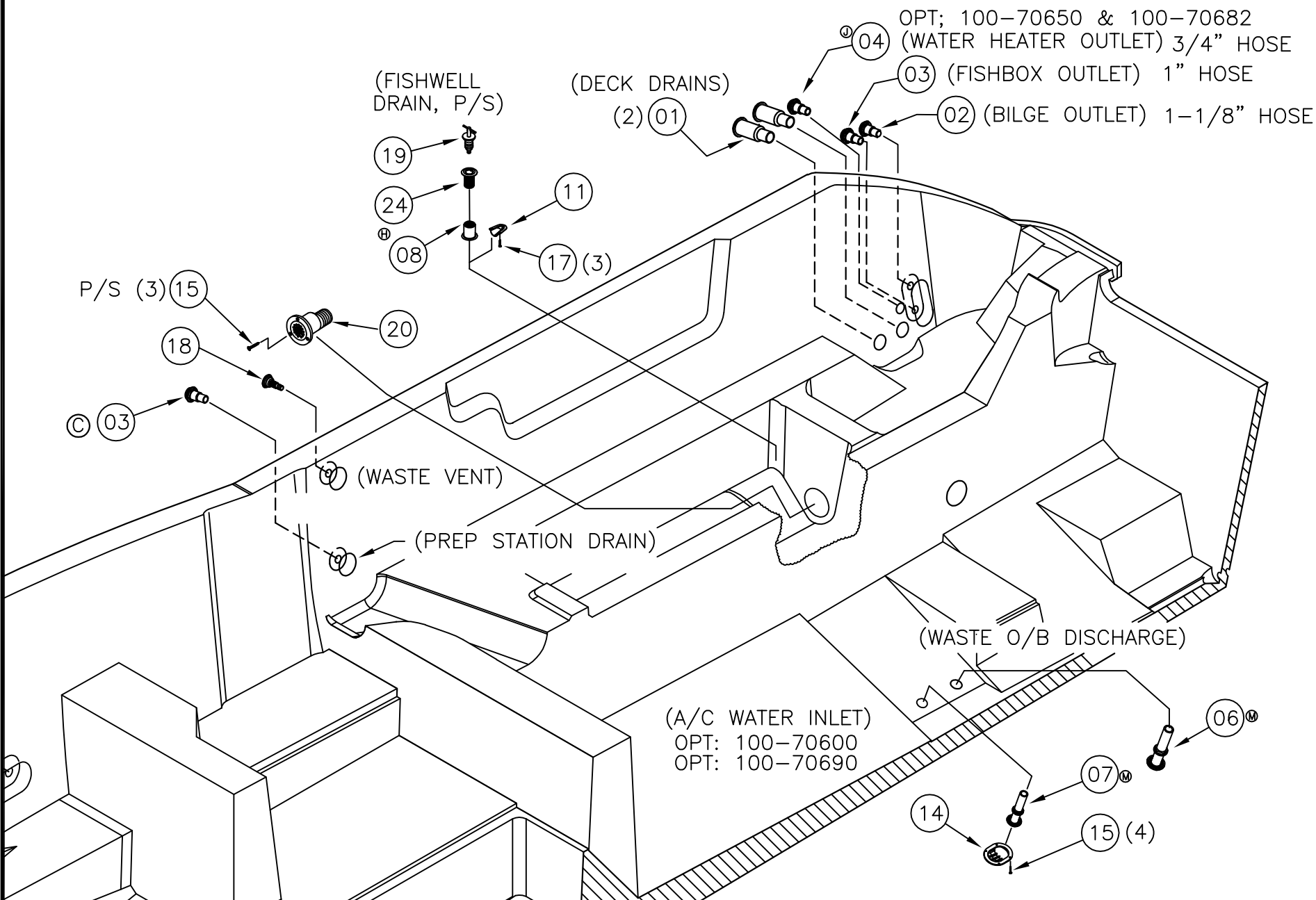
050362

DWG. NO:

06101

SHT. NO.

2 OF 6

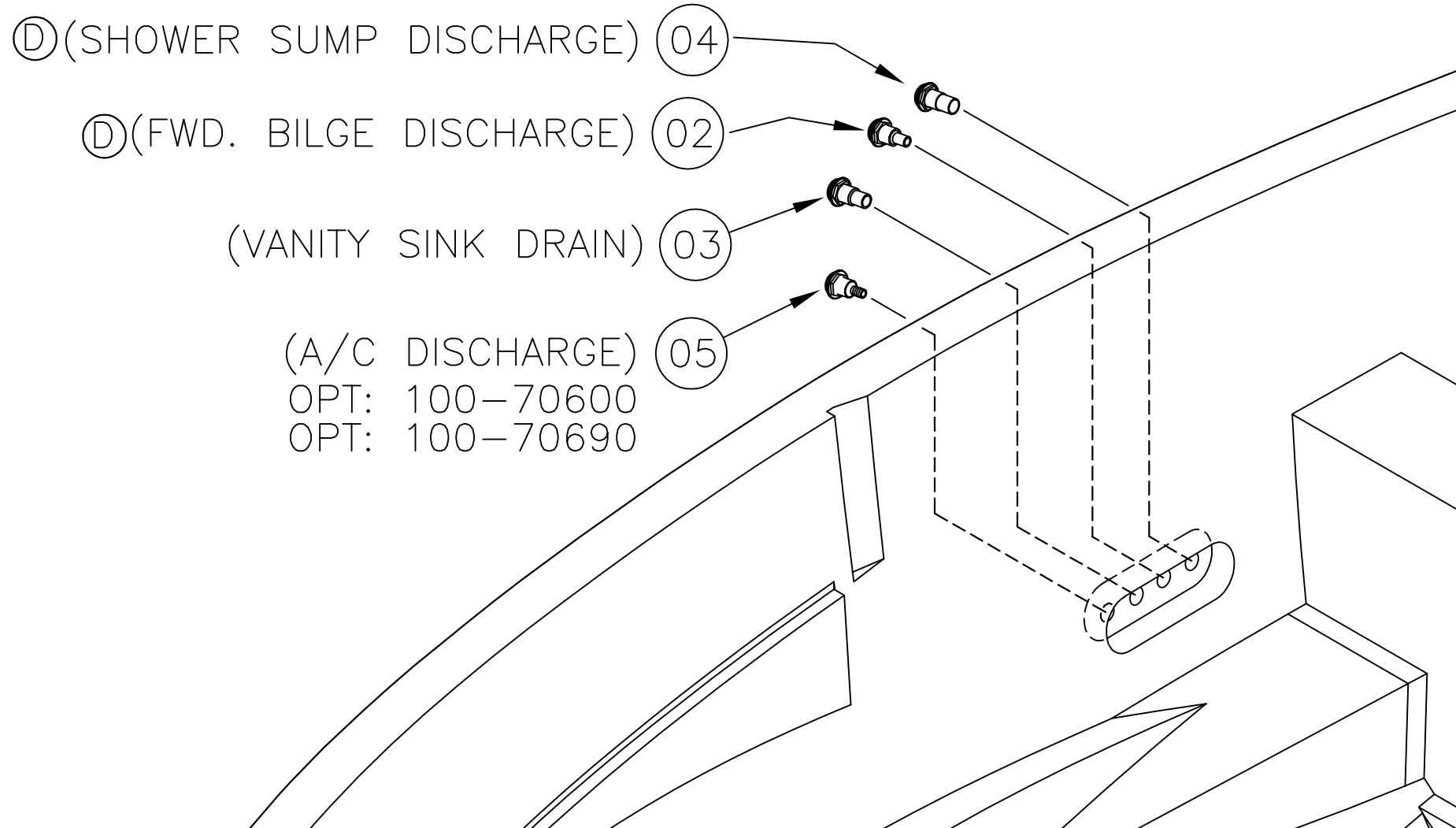


THIS DOCUMENT IS THE PROPERTY OF BOSTON WHALER, INC. MFG. DEPT., EDGEWATER, FLORIDA. ALL RIGHTS ARE RESERVED. THIS DOCUMENT AND INFORMATION CONTAINED MUST NOT BE COPIED OR DISCLOSED TO OTHERS WITHOUT WRITTEN PERMISSION OF BOSTON WHALER, INC.

DWG. NO:
06101

REV.
N

CURRENT ECD
10066958



INTERPRET DIMENSIONS AND TOLERANCES PER ANSI Y 14.5 UNLESS OTHERWISE SPECIFIED DIMENSIONS ARE IN INCHES.
TOLERANCES: ANGLES = ± .5° .XXX = ± .010
.X = ± .1 X = ± 1/16
.XX = ± .03
DO NOT SCALE DRAWING

DRAWN: R. DURHAM

DATE: 7/27/05

SCALE: NONE

BOAT MODEL

285CQ

MOLD NO.

22K22600

DWG. TITLE:

THRU-HULLS

INIT. REL. ECN NO:

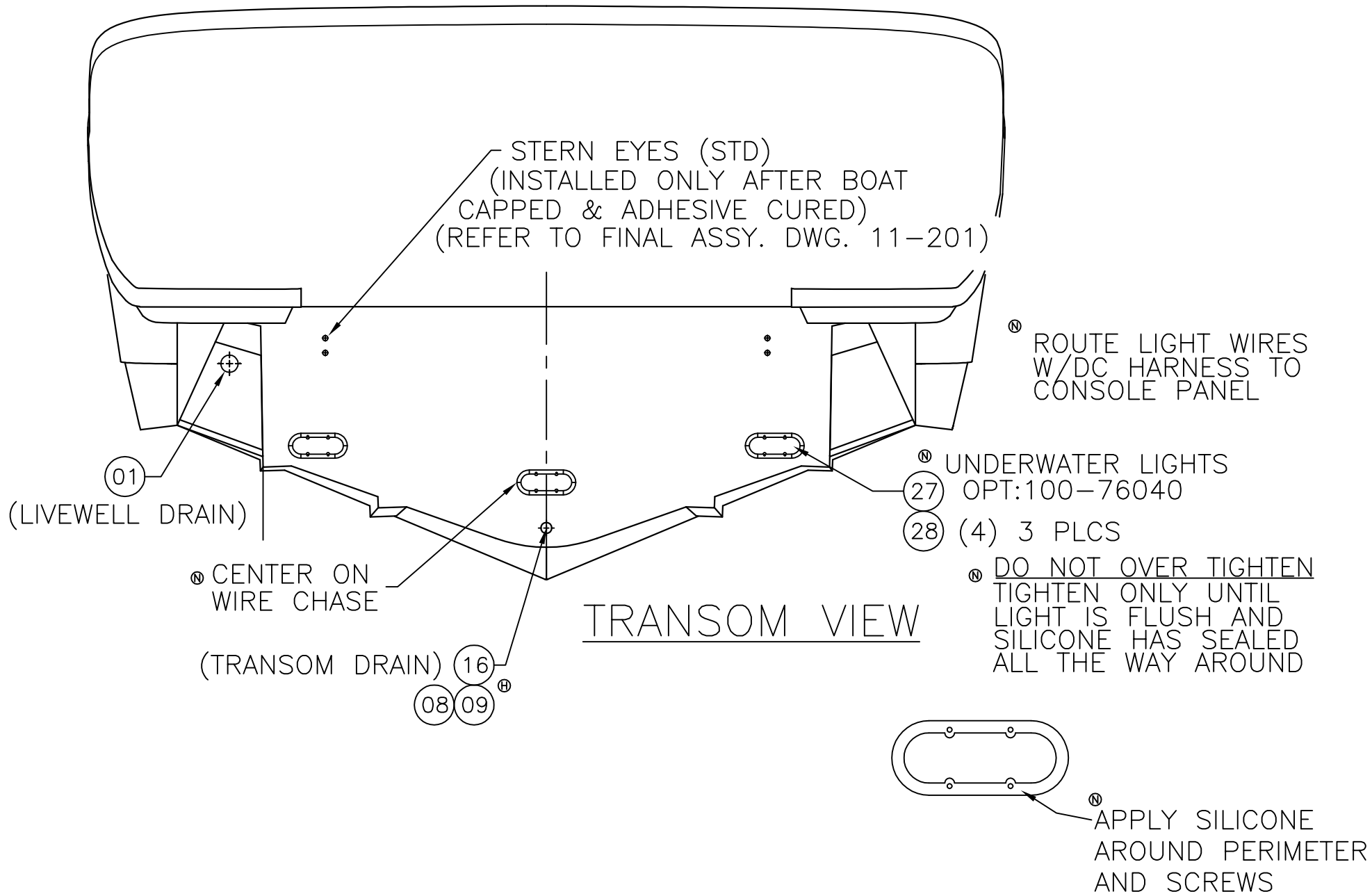
050362

DWG. NO:

06101

SHT. NO.

4 OF 6



PARTS LIST

ITEM	QTY.		U/M	DESCRIPTION	BWI NO.
	STD.	OPT.			
Ⓚ 01	5	—	EA.	THRU-HULL, SS 1.5"X 1.5"BARB X-LONG W/FLAP	1838234
ⓀⓀⓀ 02	3	—	EA.	THRU-HULL, SS 1 1/8"X 1 1/8"BARB (ATTWOOD)	1907839
Ⓚ 03	5	—	EA.	THRU-HULL, SS 1 1/8"X 1"BARB (ATTWOOD)	1919746
Ⓚ 04	1	1	EA.	THRU-HULL, SS 1 1/8"X 3/4"BARB (ATTWOOD)	1907838
Ⓚ 05	—	1	EA.	THRU-HULL, SS 1 1/8"X 5/8"BARB (ATTWOOD)	1907840
Ⓜ 06	1	—	EA.	THRU-HULL, BRZ 1"X 5.33"LONG	1968013
Ⓜ 07	1	1	EA.	THRU-HULL, BRZ 3/4"X 5.33"LONG	1966383
Ⓜ 08	5	—	EA.	THRU-HULL, MARELON BW-06 SHORT FEMALE	1806032
Ⓜ 09	1	—	EA.	THRU-HULL, MARELON BW-06 SHORT MALE	1806031
ⓀⓂ 10	1	—	EA.	EYE, BOW 5/8"X 5.5" ELECTRO-POLISHED	0866889
	11	2	EA.	VENT, CLAMSHELL ROPE LCKR 2"X2"	0533430
	12	1	EA.	EYE, LIFTING 5/8" RND CHR	1033075
	13	1	EA.	NUT, ACORN #5/8-11 SC	1062942
	14	1	EA.	STRAINER, MARELON 3/4" SCREEN ONLY	995589
Ⓜ 15	10	4	EA.	SCREW, TAPPING #8A X 1" POH SC	1213065
Ⓜ 16	2	—	EA.	PLUG, MARELON BW-06 DRAIN 1" W/GASKET	1806033
	17	6	EA.	SCREW, TAPPING #6A X 1" POH SC	1213040
ⓀⓂ 18	1	—	EA.	VENT, FUEL/WATER SS 3/4" FLSH STRAIGHT	1754881
ⓀⓂ 19	3	—	EA.	PLUG, BRASS 1" DRAIN TURN-TITE	133371
Ⓜ 20	4	—	EA.	THRU-HULL, PLAS 1.5" DRAIN W/FLNG/SCRN	1780434
	21	1	EA.	COVER, POLY BW-06 11.75" POUR HOLE WHLR WHT	1811812
	22	1	EA.	PLATE, BW-97 B/U U-BOLT	1058999
	23	1	EA.	WASHER, LOCK/SPLIT 5/8" SC	1259589
Ⓜ 24	6	—	EA.	THRU-HULL, MARELON BW-06 LONG MALE	1803060
Ⓚ 25	1	—	EA.	EYE, BOW 5/8"X 5.5" SS	1961706
Ⓚ 26	2	—	EA.	NUT, HEX #5/8-11 SC	1961534
Ⓜ 27	—	3	EA.	LIGHT, BLUE UNDRWTR 12V AMPHIBIAN PRO A12P	2026744
Ⓜ 28	—	12	EA.	SCREW, TAPPING #6A X 1.25" PTH SC TY A	1260470

THIS DOCUMENT IS THE PROPERTY OF BOSTON WHALER, INC. MFG. DEPT., EDGEWATER, FLORIDA. ALL RIGHTS ARE RESERVED. THIS DOCUMENT AND INFORMATION CONTAINED MUST NOT BE COPIED OR DISCLOSED TO OTHERS WITHOUT WRITTEN PERMISSION OF BOSTON WHALER, INC.

DWG. NO:
09651

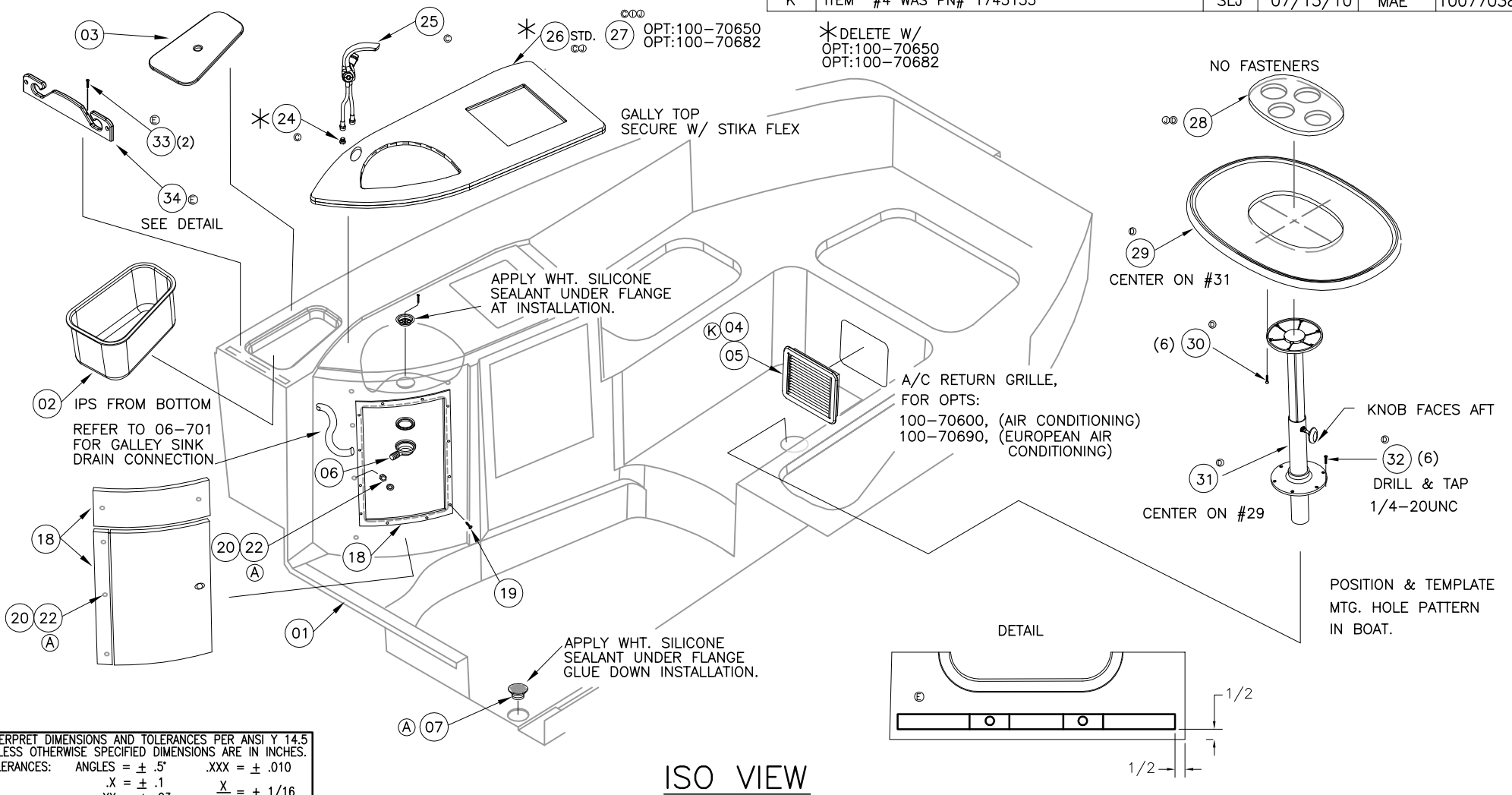
REV.
K

CURRENT ECD
10077038

NOTE:

1. SEE DWT. 16-104 FOR ALL CUTOUTS.
2. SEE DWT. 06-701 FOR HOSE CONNECTIONS.
3. SEE DWT. 07-801 FOR AC HARNESS
4. SEE DWT. 11-201 FOR COOK TOP OPT.

REVISIONS					
REV.	DESCR.	BY	DATE	APPVD.	ECN NO.
E	ADDED PARTS 33 & 34, ADD DETAIL A	SWH	12/05/05	VPK	050362
F	MOVED 35,36 FROM DWG. 06302	HJR	12/07/05	VPK	050362
G	ADD 37 & 38	SWH	01/24/06	VPK	050362
H	CHANGED CLEAT LOCATION TO CORRECT LOCATION	TKJ	7/13/07	AF	07074440
I	DELETED ITEM 23, ITEM 35 WAS 1494418, 36 WAS 1494459, 27 WAS 1814015	SLJ	04/29/08	DH	08045136
J	ITEM 26 P/N WAS 1812228, 27 WAS 1942928, 28 WAS 1818380.	SBL	05/05/09	JDS	09045912
K	ITEM #4 WAS PN# 1743133	SLJ	07/13/10	MAE	10077038



INTERPRET DIMENSIONS AND TOLERANCES PER ANSI Y 14.5 UNLESS OTHERWISE SPECIFIED DIMENSIONS ARE IN INCHES.
 TOLERANCES: ANGLES = ± .5° .XXX = ± .010
 .X = ± .1 X = ± 1/16
 .XX = ± .03 X = ± 1/16
 DO NOT SCALE DRAWING

ISO VIEW



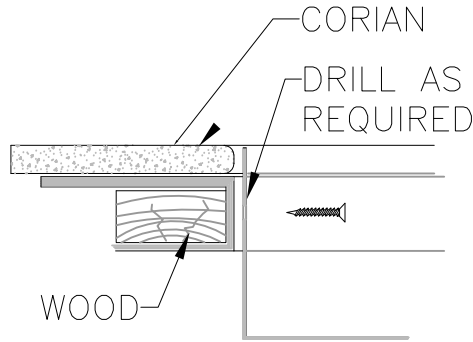
CHECKED: VPK	DATE: 8/25/05	DRAWN: HAL READ	DATE: 9/27/05	SCALE: NONE	BOAT MODEL	MOLD NO.
APPD: KR	DATE: 8/25/05	DWG. TITLE:		285CQ		
DESIGN: VPK	DATE: 8/25/05	V-BERTH SUB-ASSY.		INIT. REL. ECN NO:	DWG. NO:	SHT. NO.
INT. ENG: MG	DATE: 9/03/05			050362	09651	1 OF 2

THIS DOCUMENT IS THE PROPERTY OF BOSTON WHALER, INC. MFG. DEPT., EDGEWATER, FLORIDA. ALL RIGHTS ARE RESERVED. THIS DOCUMENT AND INFORMATION CONTAINED MUST NOT BE COPIED OR DISCLOSED TO OTHERS WITHOUT WRITTEN PERMISSION OF BOSTON WHALER, INC.

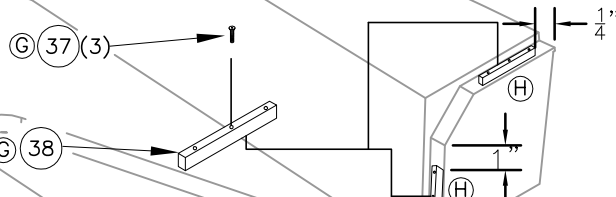
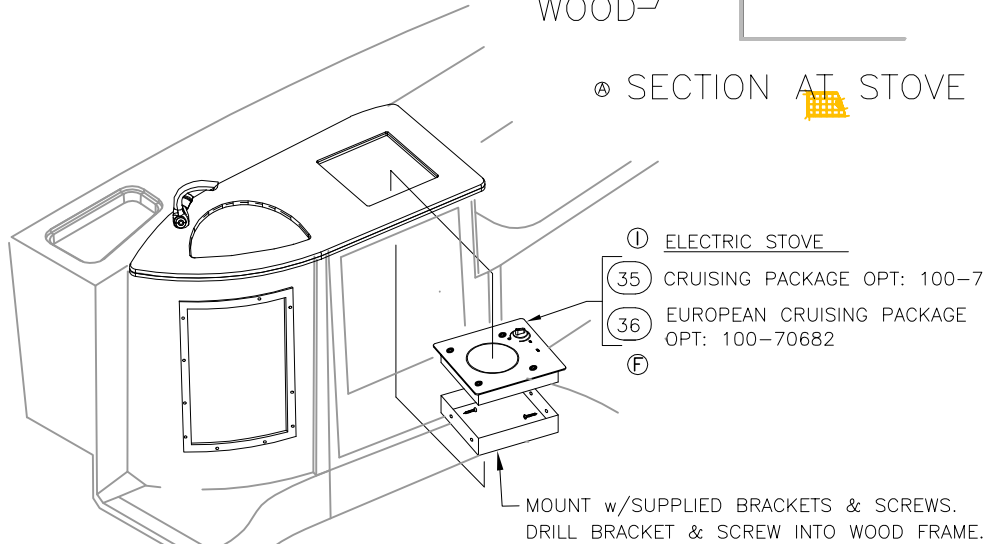
DWG. NO:
09651

REV.
K

CURRENT ECD
10077038



SECTION AT STOVE



PARTS LIST

ITEM	QTY.	STD.	OPT.	U/M	DESCRIPTION	BWI NO.
01	1	-		EA.	FIBERGLASS PART, FWD. BERTH	22-K228-00
02	1	-		EA.	CONTAINER, ABS BW285CQ-06 PRT CABIN STRG	1811449
03	1	-		EA.	LID, HDPE BW285CQ-06 VBRTL STRG	1811447
Ⓚ 04	-	1		EA	/C COMP, GRILL 10X8 RA PLAS WHT W/FILTER	1126929
05	-	6		EA.	RIVET, POP/BLIND #1/8 X 3/8" ALUM	0192047
06	1	-		EA.	DRAIN ASSY, FLUSH MNT W/1" HOSE BARB	0886200
Ⓐ 07	1	-		EA.	DRAIN, GRATE 1.75" MPT SS	1754294
Ⓑ 08	-	1		EA.	REFRIGERATOR, 2.0 CF AC/DC 220/50	0779462
Ⓑ 09	1	-		EA.	REFRIGERATOR, 2.7 CF	1658368
Ⓐ Ⓑ 10	2	-		EA.	BOX, RECEPTACLE BOX ONLY	0145128
Ⓑ 11	2	-		EA.	RECEPTACLE, DUPLEX WHT 15A	0324038
Ⓑ 12	2	-		EA.	COVER PLATE, SGL DUPLEX RECEPT WHT	0258384
Ⓑ 13	-	2		EA.	RECEPTACLE, GERMAN STD MOSAIC WHT(SNAPON CVR)	1477496
Ⓑ 14	-	2		EA.	COVER PLATE, WALL 2-MODULE MOSAIC WHT(SNAPON)	1477512
Ⓑ 15	-	2		EA.	FRAME, US STYLE (MOSAIC) (SNAPON COVER)	1477504
Ⓑ 16	-	1		EA.	BRKR, 8000-SERIES 2P EURO GFCL	0975052
Ⓑ 17	-	1		EA.	BOX, 8000-SERIES 2MOD SURF MNT WEATHERPROOF	0975060
18	1	-		EA.	DOOR, ACRY BW285CQ-06 GLY	1812232
19	12	-		EA.	SCREW, TAPPING #6A X 1/2" PFH SC	1010362
Ⓐ 20	5	-		EA.	NUT, HEX NYLON LOCK #10-24 SC	1007772
Ⓑ Ⓐ 21	1	-		EA.	BLKHD, HDPE BW285CQ-06 AFT GLY CLOSEOUT	1814597
Ⓐ 22	5	-		EA.	WASHER, FLAT #10 SC	1260751
Ⓛ Ⓒ 23	-	1		EA.	RAIL, SS BW285CQ-06 STOVE ELEC	1814015
Ⓒ 24	1	-		EA.	PLUG, 1/2" MPT PLAS GRY	0867861
Ⓒ 25	1	-		EA.	FAUCET, GALLEY W/HANDLES NICKEL/CHR	1756063
Ⓝ 26	1	-		EA.	TOP, CORIAN BW285CQ-10 GLY CNTR	1971974
Ⓝ Ⓛ Ⓒ 27	-	1		EA.	TOP, CORIAN BW285CQ-10 GLY CNTR W/STOVE	1971975
Ⓝ Ⓛ Ⓒ 28	1	-		EA.	INSERT, CORIAN BW285CQ-10 DIN TBL	1971973
Ⓝ 29	1	-		EA.	DINETTE TABLE	22K27100
Ⓝ 30	6	-		EA.	SCREW, MACHINE #1/4-20 X 1" PFH SC	1009950
Ⓝ 31	1	-		EA.	POST, POWER RISE TBL BASE 14.5" - 29.5" GAS	1746223
Ⓝ 32	6	-		EA.	SCREW, MACHINE #1/4-20 X 2" PFH SC	1235308
Ⓔ 33	2	-		EA.	SCREW, TAPPING #10A X 3" POH SC	1213412
Ⓔ 34	1	-		EA.	ROD HOLDER, HDPE BW285CQ-06 MIDCABIN FWD	1811821
Ⓛ Ⓕ 35	-	1		EA.	STOVE, ELEC 1-BURNER MEDIT COOKTOP 120V	1942000
Ⓛ Ⓕ 36	-	1		EA.	STOVE, ELEC 1-BURNER MEDIT COOKTOP 240V	1942001
Ⓔ 37	6	-		EA.	SCREW, TAPPING #10A X 1.25" POH SC	1213255
Ⓔ 38	2	-		EA.	CLEAT, P/B BW-06 1" X 3/4" X 8"	1833152



INTERPRET DIMENSIONS AND TOLERANCES PER ANSI Y 14.5 UNLESS OTHERWISE SPECIFIED DIMENSIONS ARE IN INCHES.
TOLERANCES: ANGLES = ± .5° .XXX = ± .010
.X = ± .1 X = ± 1/16
.XX = ± .03 X = ± 1/16
DO NOT SCALE DRAWING

DRAWN: HAL READ

DATE: 9/27/05

SCALE: NONE

BOAT MODEL

MOLD NO.

DWG. TITLE:

V-BERTH SUB-ASSY.

285CQ

INIT. REL. ECN NO:

DWG. NO:

SHT. NO.

050362

09651

2 OF 2

THIS DOCUMENT IS THE PROPERTY OF BOSTON WHALER, INC. MFG. DEPT., EDGEWATER, FLORIDA. ALL RIGHTS ARE RESERVED. THIS DOCUMENT AND INFORMATION CONTAINED MUST NOT BE COPIED OR DISCLOSED TO OTHERS WITHOUT WRITTEN PERMISSION OF BOSTON WHALER, INC.

DWG. NO:
08203

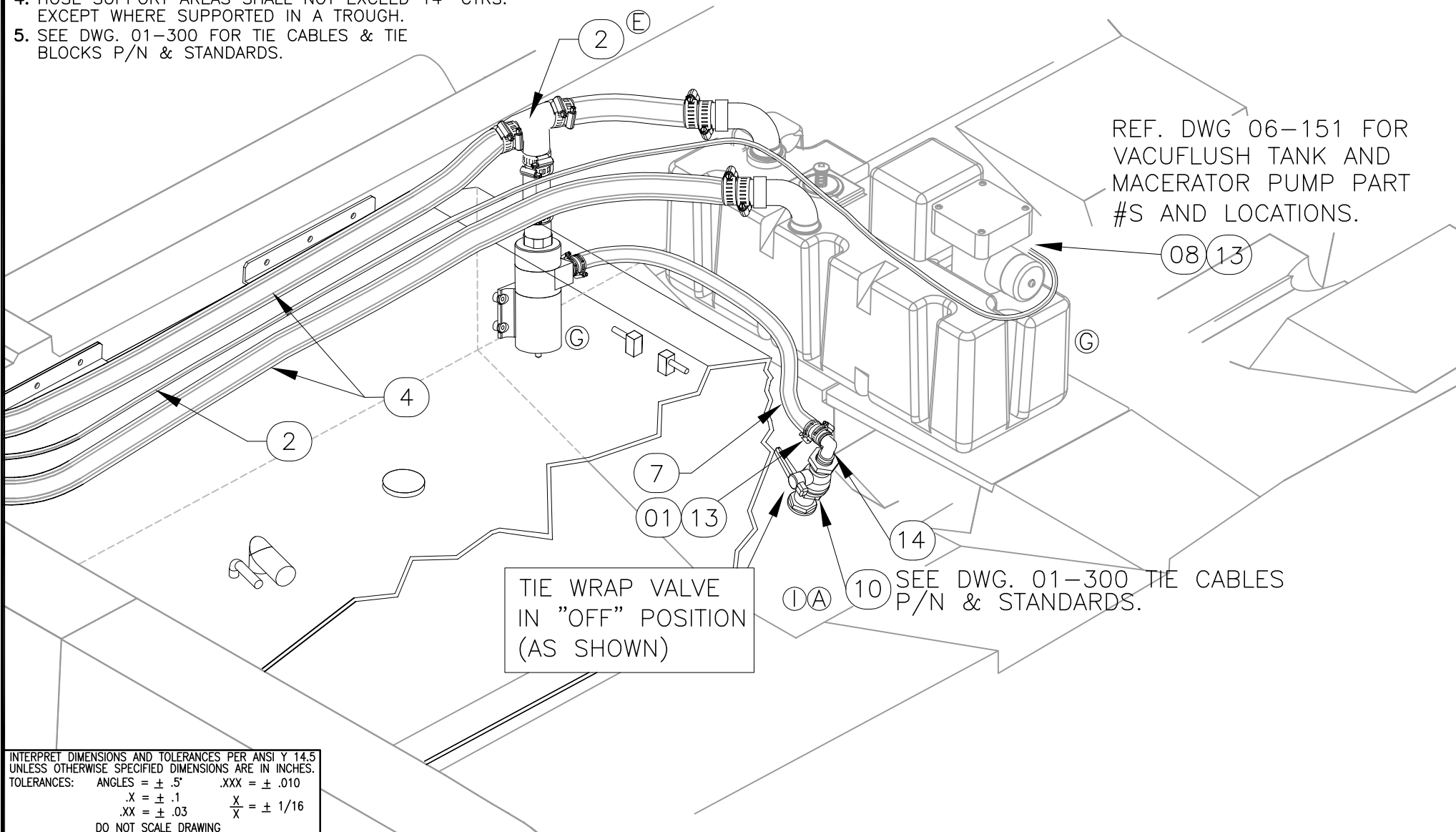
REV.
J

CURRENT ECD
10016449

NOTES:

1. REFER TO DWG. 06-101 FOR ALL THRU-HULL LOCATIONS.
2. REFER TO DWG. 01-251 FOR ALL HOSE LENGTHS.
3. HOSE ROUTING SHALL BE OPTIMIZED AT INSTALLATION TO CLEAR ALL DECK CONTACT POINTS.
4. HOSE SUPPORT AREAS SHALL NOT EXCEED 14" CTRS. EXCEPT WHERE SUPPORTED IN A TROUGH.
5. SEE DWG. 01-300 FOR TIE CABLES & TIE BLOCKS P/N & STANDARDS.

REVISIONS					
REV.	DESCR.	BY	DATE	APPVD.	ECN NO.
J	ITEM # 5 WAS PN# 1834349	SLJ	01/08/10	ST	10016449



INTERPRET DIMENSIONS AND TOLERANCES PER ANSI Y 14.5 UNLESS OTHERWISE SPECIFIED DIMENSIONS ARE IN INCHES.
 TOLERANCES: ANGLES = ± .5° .XXX = ± .010
 .X = ± .1 X = ± 1/16
 .XX = ± .03 X = ± 1/16
 DO NOT SCALE DRAWING



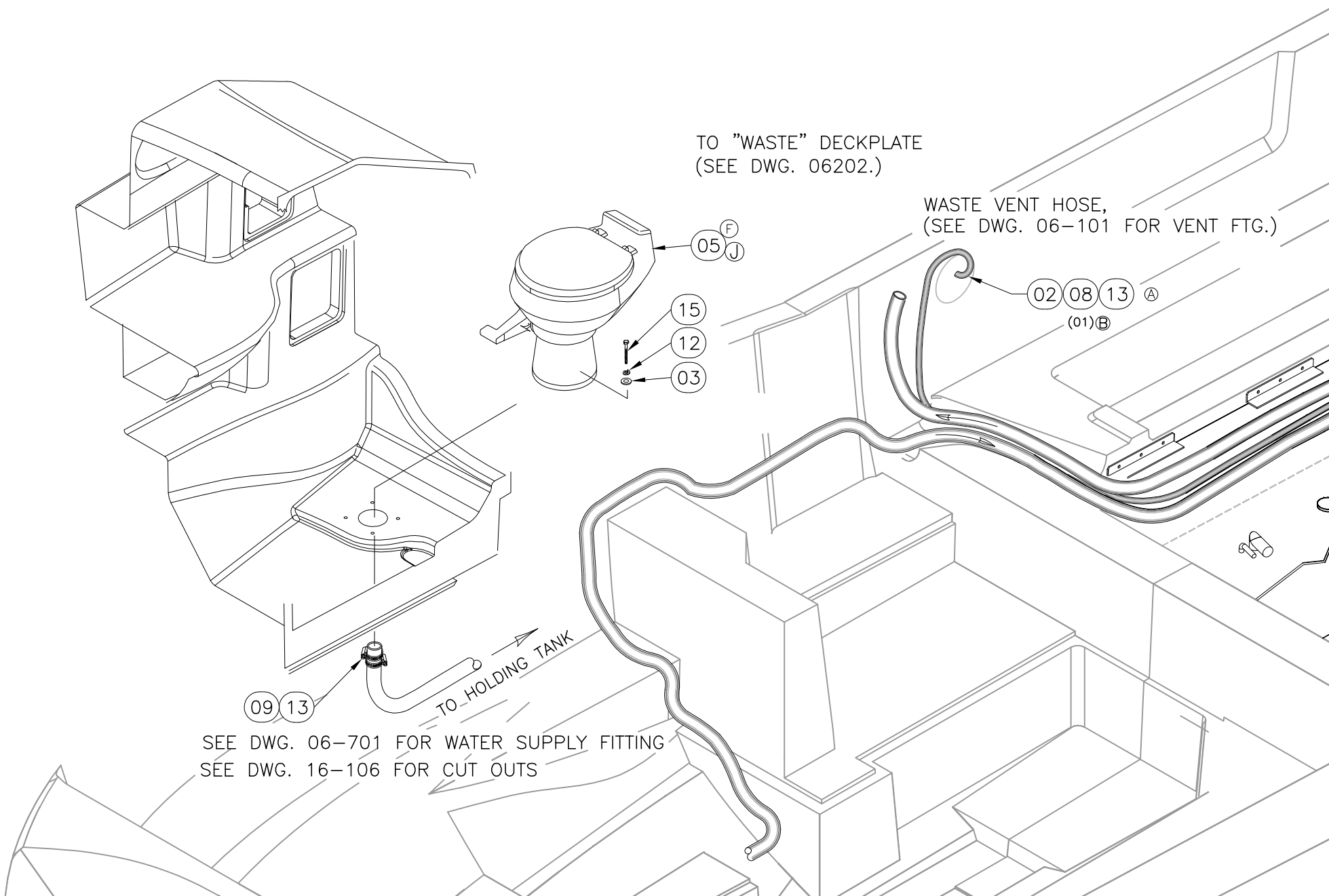
CHECKED: A. DALE	DATE: 8-23-05	DRAWN: HAL READ	DATE: 07/21/05	SCALE: none	BOAT MODEL 285CQ	MOLD NO.
APPD: KR	DATE: 9-06-05	DWG. TITLE: WASTE SYSTEM INSTALLATION			INIT. REL. ECN NO: 050362	DWG. NO: 08203
DESIGN: VPK	DATE: 8-23-05					SHT. NO. 1 OF 3
INT. ENG: MG	DATE: 9-06-05					

THIS DOCUMENT IS THE PROPERTY OF BOSTON WHALER, INC. MFG. DEPT., EDGEWATER, FLORIDA. ALL RIGHTS ARE RESERVED. THIS DOCUMENT AND INFORMATION CONTAINED MUST NOT BE COPIED OR DISCLOSED TO OTHERS WITHOUT WRITTEN PERMISSION OF BOSTON WHALER, INC.

DWG. NO:
08203

REV.
J

CURRENT ECD
10016449



TO "WASTE" DECKPLATE
(SEE DWG. 06202.)

WASTE VENT HOSE,
(SEE DWG. 06-101 FOR VENT FTG.)

09 13

TO HOLDING TANK

SEE DWG. 06-701 FOR WATER SUPPLY FITTING
SEE DWG. 16-106 FOR CUT OUTS



INTERPRET DIMENSIONS AND TOLERANCES PER ANSI Y 14.5 UNLESS OTHERWISE SPECIFIED DIMENSIONS ARE IN INCHES.
TOLERANCES: ANGLES = ± .5° .XXX = ± .010
.X = ± .1 X = ± 1/16
.XX = ± .03
DO NOT SCALE DRAWING

DRAWN: HAL READ

DATE: 07/21/06

SCALE: NONE

BOAT MODEL

MOLD NO.

285CQ

DWG. TITLE:

WASTE SYSTEM INSTALLATION

INIT. REL. ECN NO:

DWG. NO:

SHT. NO.

050362

08203

2 OF 3

THIS DOCUMENT IS THE PROPERTY OF BOSTON WHALER, INC. MFG. DEPT., EDGEWATER, FLORIDA. ALL RIGHTS ARE RESERVED. THIS DOCUMENT AND INFORMATION CONTAINED MUST NOT BE COPIED OR DISCLOSED TO OTHERS WITHOUT WRITTEN PERMISSION OF BOSTON WHALER, INC.

DWG. NO:
08203

REV.
J

CURRENT ECD
10016449

PARTS LIST

ITEM	QTY.	U/M	DESCRIPTION	B.W.I. NO.
1	4	EA.	CLAMP, HOSE #16 3/4-1.5" SS .505	0256685
2	0	FT.	HOSE, SANI/CHEMICAL TDX 5/8"	0124719
3	4	EA.	WASHER, FLAT 3/8" SC	1260793
4	0	FT.	HOSE, SANI 1.5" PREMIUM RBR BLK	0846899
5	1	EA.	HEAD, VACU-FLUSH 5146 BTM DSCHRG WHT	2015104
6	1	EA.	TEE, PVC 1.5" ALL BARB BLK	1747281
7	0	FT.	HOSE, GEN PURPOSE 1"	0196667
8	3	EA.	CLAMP, HOSE #10 1/2"-1 1/8" SS .50	0263954
9	16	EA.	CLAMP, HOSE #24 1"-2" SS .505	0256693
10	1	EA.	VALVE, MARELON BALL 2-WAY 1" LOCKING	1799576
11	10	EA.	SCREW, TAPPING #8A X 5/8" PPH TEK SC W/EPXY	1893323
12	4	EA.	WASHER, LOCK/ SPLIT 3/8" SC	1260603
13	23	EA.	COVER, CLAMP END PROT 1/2"L X .045"X .465"RED	0830968
14	1	EA.	ELBOW, MARELON 1"MPT x 1" BARB x 90D	0995555
15	4	EA.	SCREW, LAG #3/8 x 2.5" HEX HD SS	0152330
16	10	EA.	TIE, CLIP BLK	1031764
17	11	EA.	TIE, CABLE 14" LG NYLON BLK	1031780
18	1	EA.	ELBOW, PVC 1.5" FPT X 1.5" BARB X 90DEG	141515

WASTE VENT HOSE,
(SEE DWG. 06-101 FOR VENT FTG.)

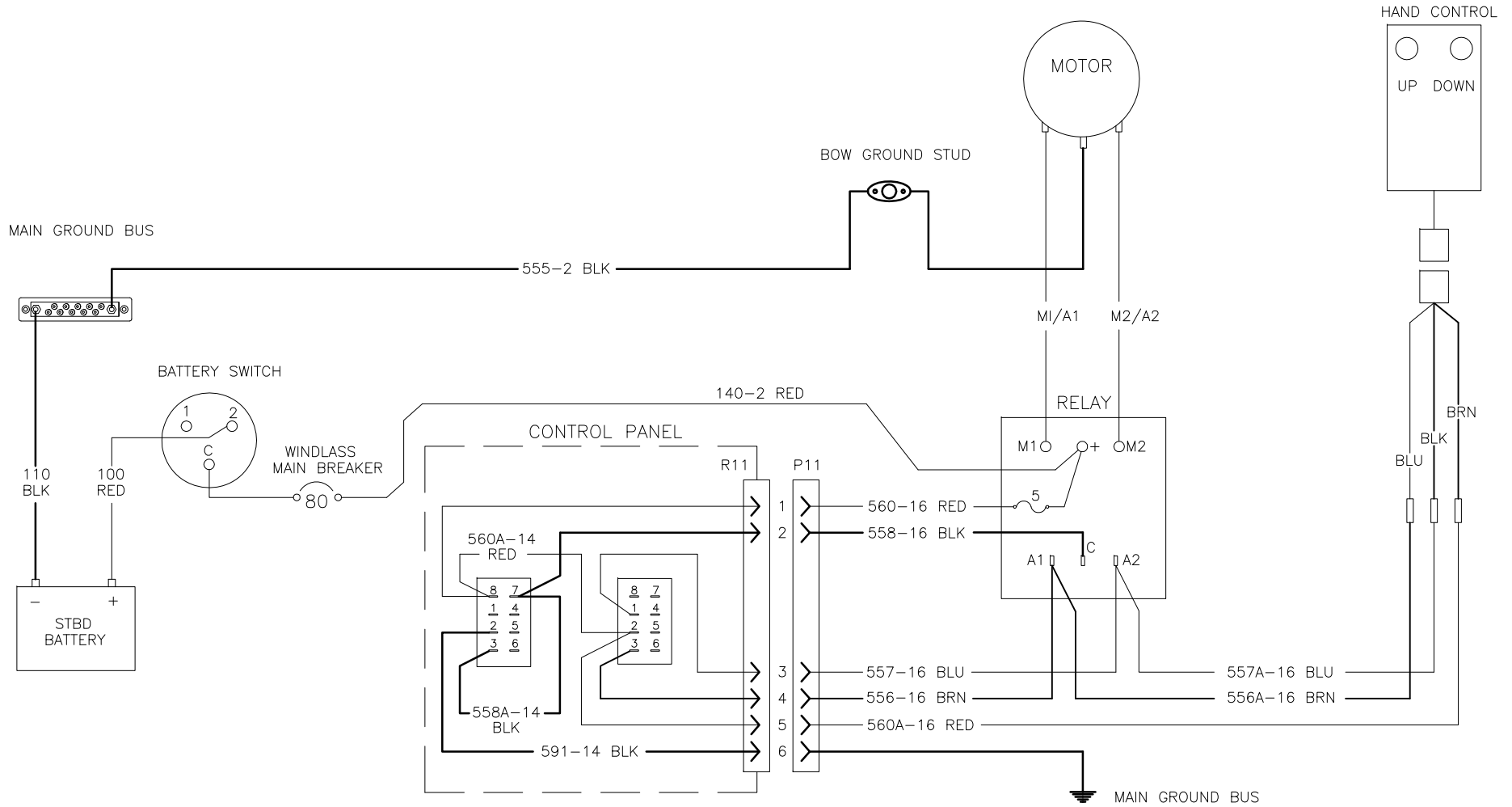
THIS DOCUMENT IS THE PROPERTY OF BOSTON WHALER, INC. MFG. DEPT., EDGEWATER, FLORIDA. ALL RIGHTS ARE RESERVED. THIS DOCUMENT AND INFORMATION CONTAINED MUST NOT BE COPIED OR DISCLOSED TO OTHERS WITHOUT WRITTEN PERMISSION OF BOSTON WHALER, INC.

DWG. NO:
07402

REV.
A

CURRENT ECD
07124796

REVISIONS					
REV.	DESCR.	BY	DATE	APPVD.	ECN NO.
A	CHANGED WIRING DIAGRAM FOR ANTARES WINDLASS	SLJ	12/11/07	AF	07124796



INTERPRET DIMENSIONS AND TOLERANCES PER ANSI Y 14.5 UNLESS OTHERWISE SPECIFIED DIMENSIONS ARE IN INCHES.
TOLERANCES: ANGLES = ± .5° .XXX = ± .010
.X = ± .1
.XX = ± .03 X/X = ± 1/16
DO NOT SCALE DRAWING



CHECKED: RA	DATE: 11/15/05	DRAWN: D HOY	DATE: 11/15/05	SCALE: NONE	BOAT MODEL	MOLD NO.
APPD: KR	DATE: 11/16/05	DWG. TITLE: WINDLASS SCHEMATIC		285CQ		
DESIGN: VPK	DATE: 11/16/05			INIT. REL. ECN NO:	DWG. NO:	SHT. NO.
INT. ENG: MG	DATE: 11/16/05			050362	07402	1 OF 1

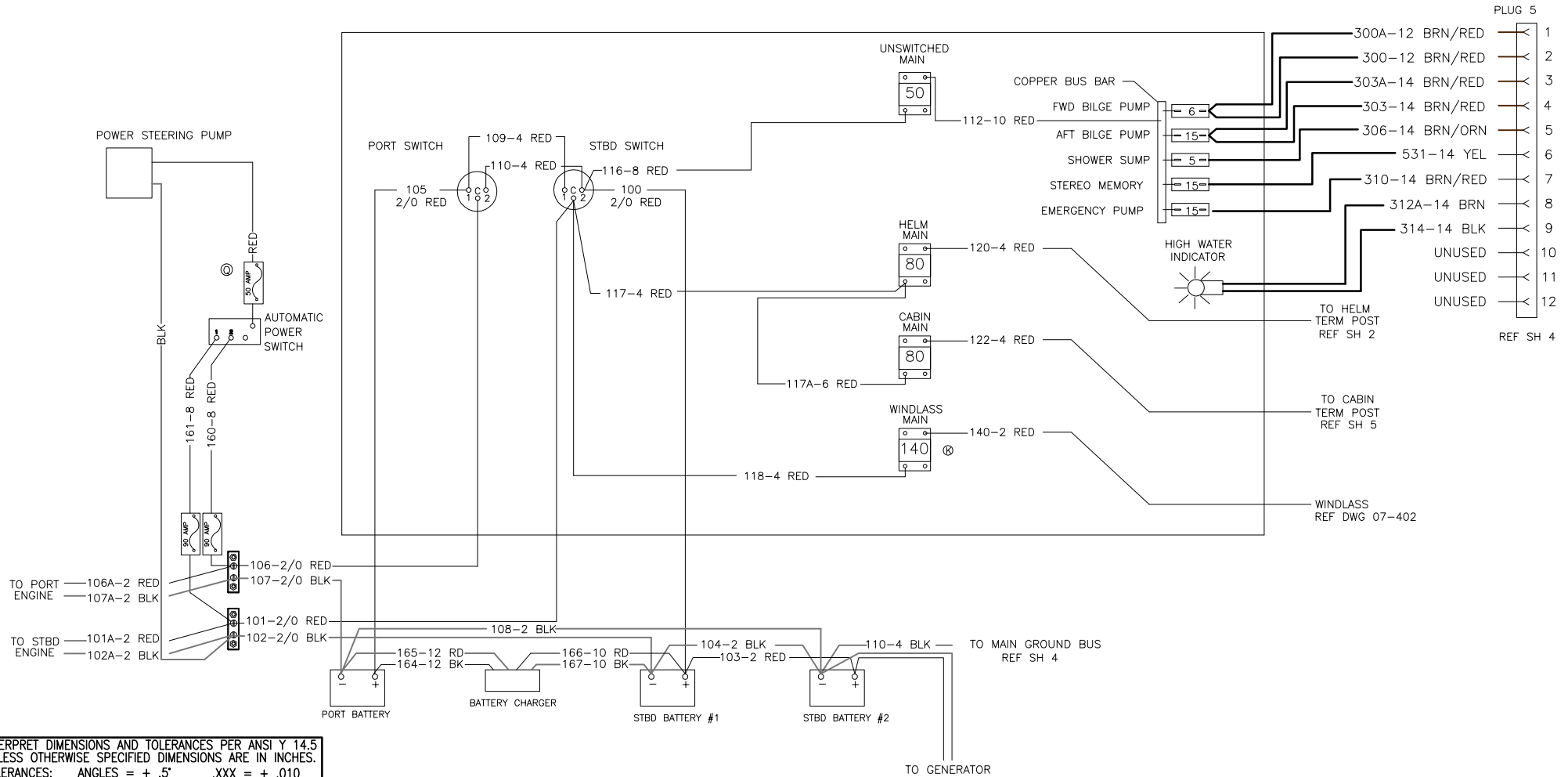
THIS DOCUMENT IS THE PROPERTY OF BOSTON WHALER, INC. MFG. DEPT., EDGEWATER, FLORIDA. ALL RIGHTS ARE RESERVED. THIS DOCUMENT AND INFORMATION CONTAINED MUST NOT BE COPIED OR DISCLOSED TO OTHERS WITHOUT WRITTEN PERMISSION OF BOSTON WHALER, INC.

DWG. NO:
07401

REV.
T

CURRENT ECD
10077053

REVISIONS					
REV.	DESCR.	BY	DATE	APPVD.	ECN NO.
L	HORN FUSE WAS 5 AMP, SHEET 2	SLJ	04/29/08	DH	08045135
M	UPDATED DWG DVD PLAYER CONNECTION	TJ	2/23/09	AVR	08115643
N	MYE'10, ADDED 539-16 ORN/WHT	BH	7/16/09	ST	09055997
P	MYE'10, ADDED GEN COMPONENTS/FIREBOY	JDS	10/7/09	ST	09055997
Q	STEERING FUSE WAS 90 AMP, SHEET 1	SLJ	10/29/09	ST	09096267
R	MYE'11, ADDED STEREO AMP WIRING, SHT 9. REMOVED "06" FROM DWG DESCR	SLJ	05/20/10	TCM	10046812
S	MYE'11, ADDED UNDERWATER LIGHTS AND WIRING	TCM	06/10/10		10066958
T	MYE'11: ADDED ELCI WIRING, SHEET 6	SBL	07/28/10		10077053



INTERPRET DIMENSIONS AND TOLERANCES PER ANSI Y 14.5 UNLESS OTHERWISE SPECIFIED DIMENSIONS ARE IN INCHES.
TOLERANCES: ANGLES = ± .5° .XXX = ± .010
.X = ± .1 .XX = ± .03 X/X = ± 1/16
DO NOT SCALE DRAWING



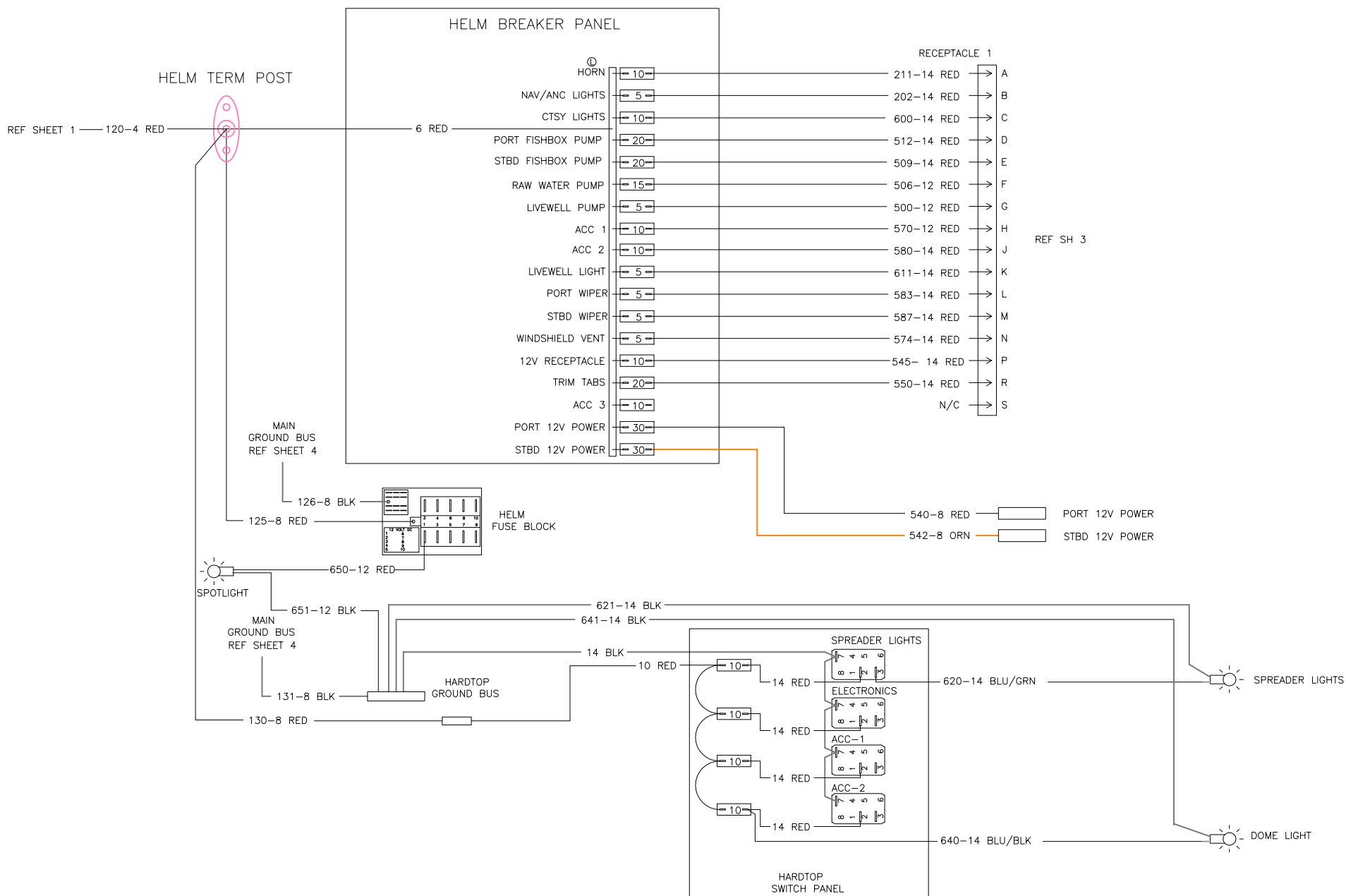
CHECKED: RA	DATE: 10/19/05	DRAWN: D HOY	DATE: 10/07/05	SCALE: NONE	BOAT MODEL	MOLD NO.
APPD: KR	DATE: 10/19/05	DWG. TITLE:		285CQ		
DESIGN: VPK	DATE: 10/25/05	WIRING DIAGRAM, BW285CQ		INIT. REL. ECN NO:	DWG. NO:	SHT. NO.
INT. ENG: MG	DATE: 10/25/05			050362	07401	1 OF 9

THIS DOCUMENT IS THE PROPERTY OF BOSTON WHALER, INC. MFG. DEPT., EDGEWATER, FLORIDA. ALL RIGHTS ARE RESERVED. THIS DOCUMENT AND INFORMATION CONTAINED MUST NOT BE COPIED OR DISCLOSED TO OTHERS WITHOUT WRITTEN PERMISSION OF BOSTON WHALER, INC.

DWG. NO:
07401

REV.
T

CURRENT ECD
10077053

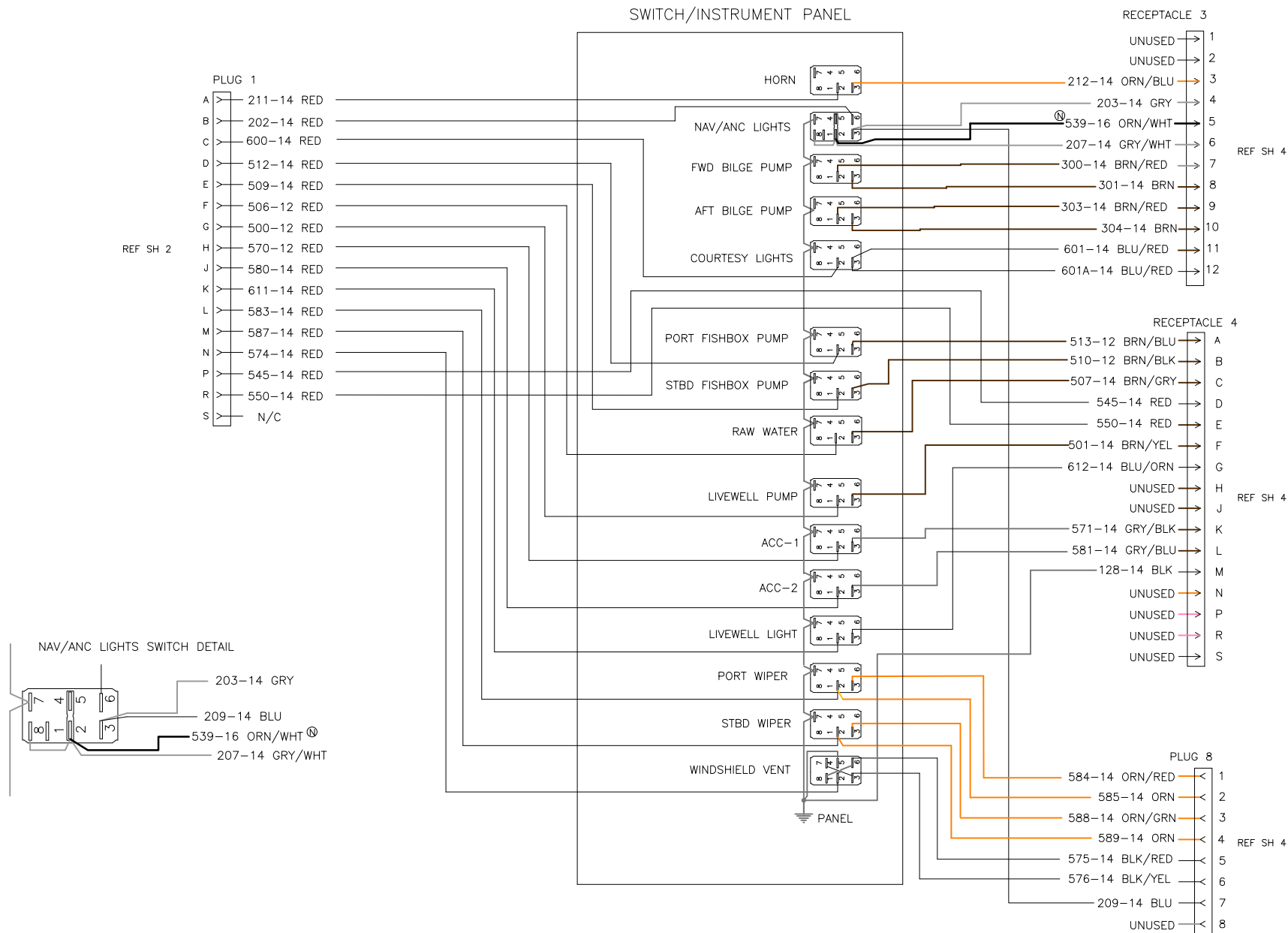


THIS DOCUMENT IS THE PROPERTY OF BOSTON WHALER, INC. MFG. DEPT., EDGEWATER, FLORIDA. ALL RIGHTS ARE RESERVED. THIS DOCUMENT AND INFORMATION CONTAINED MUST NOT BE COPIED OR DISCLOSED TO OTHERS WITHOUT WRITTEN PERMISSION OF BOSTON WHALER, INC.

DWG. NO:
07401

REV.
T

CURRENT ECD
10077053



INTERPRET DIMENSIONS AND TOLERANCES PER ANSI Y 14.5 UNLESS OTHERWISE SPECIFIED DIMENSIONS ARE IN INCHES.

TOLERANCES: ANGLES = ± .5° .XXX = ± .010
 .X = ± .1 X = ± 1/16
 .XX = ± .03

DO NOT SCALE DRAWING

DRAWN: D HOY

DATE: 10/07/05

SCALE: NONE

BOAT MODEL

MOLD NO.

285CQ

DWG. TITLE:

WIRING DIAGRAM, BW285CQ

INIT. REL. ECN NO:

DWG. NO:

SHT. NO.

050362

07401

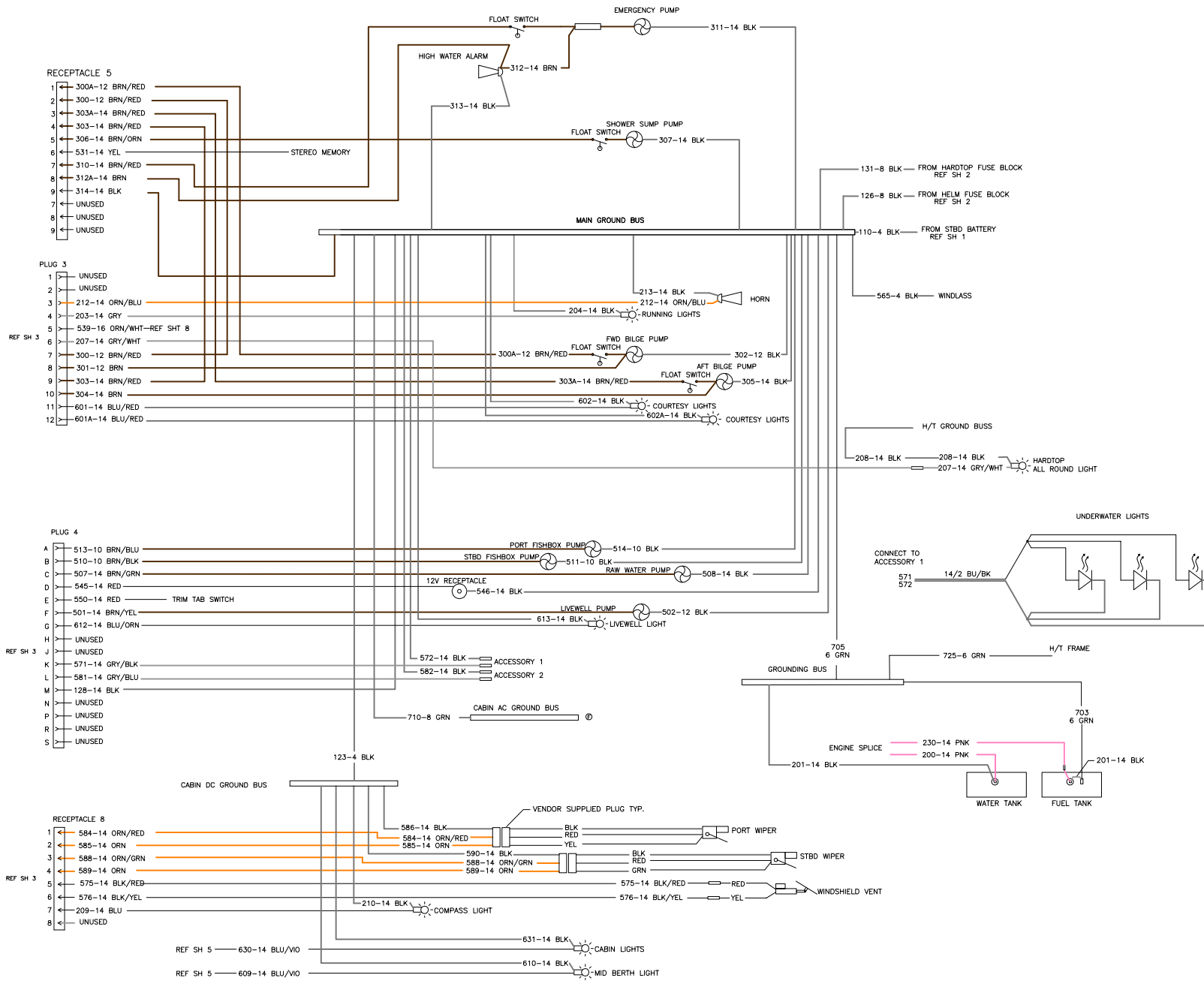
3 of 9

THIS DOCUMENT IS THE PROPERTY OF BOSTON WHALER, INC. MFG. DEPT., EDGEWATER, FLORIDA. ALL RIGHTS ARE RESERVED. THIS DOCUMENT AND INFORMATION CONTAINED MUST NOT BE COPIED OR DISCLOSED TO OTHERS WITHOUT WRITTEN PERMISSION OF BOSTON WHALER, INC.

DWG. NO:
07401

REV.
T

CURRENT ECD
10077053



INTERPRET DIMENSIONS AND TOLERANCES PER ANSI Y 14.5 UNLESS OTHERWISE SPECIFIED DIMENSIONS ARE IN INCHES.

TOLERANCES: ANGLES = ± .5° .XXX = ± .010
.X = ± .1 X = ± 1/16
.XX = ± .03

DO NOT SCALE DRAWING

DRAWN: D HOY DATE: 10/07/05 SCALE: NONE

DWG. TITLE: WIRING DIAGRAM, BW285CQ

BOAT MODEL
285CQ

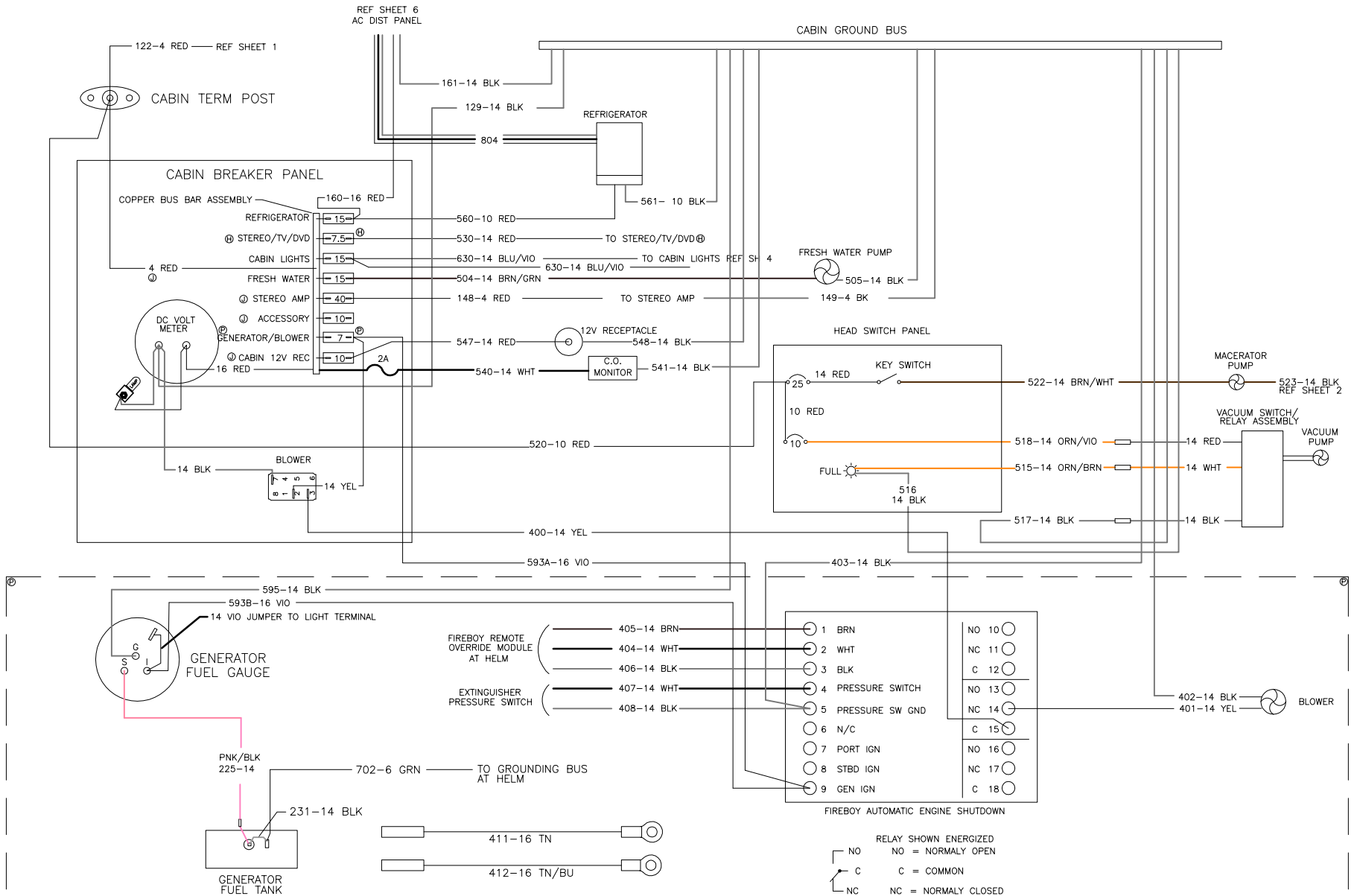
INIT. REL. ECN NO:
050362

MOLD NO.

DWG. NO:
07401

SHT. NO.

4 OF 9



PART OF 120V GENERATOR OPTION 100-76101 OR EUROPEAN GENERATOR OPTION 100-76102

THIS DOCUMENT IS THE PROPERTY OF BOSTON WHALER, INC. MFG. DEPT., EDGEWATER, FLORIDA. ALL RIGHTS ARE RESERVED. THIS DOCUMENT AND INFORMATION CONTAINED MUST NOT BE COPIED OR DISCLOSED TO OTHERS WITHOUT WRITTEN PERMISSION OF BOSTON WHALER, INC.

DWG. NO:
07401

REV.
T

CURRENT ECD
10077053

DO NOT HOOK UP WIRE TO AIR CONDITIONING BREAKER WITHOUT AIR CONDITIONING OPTION 70600

