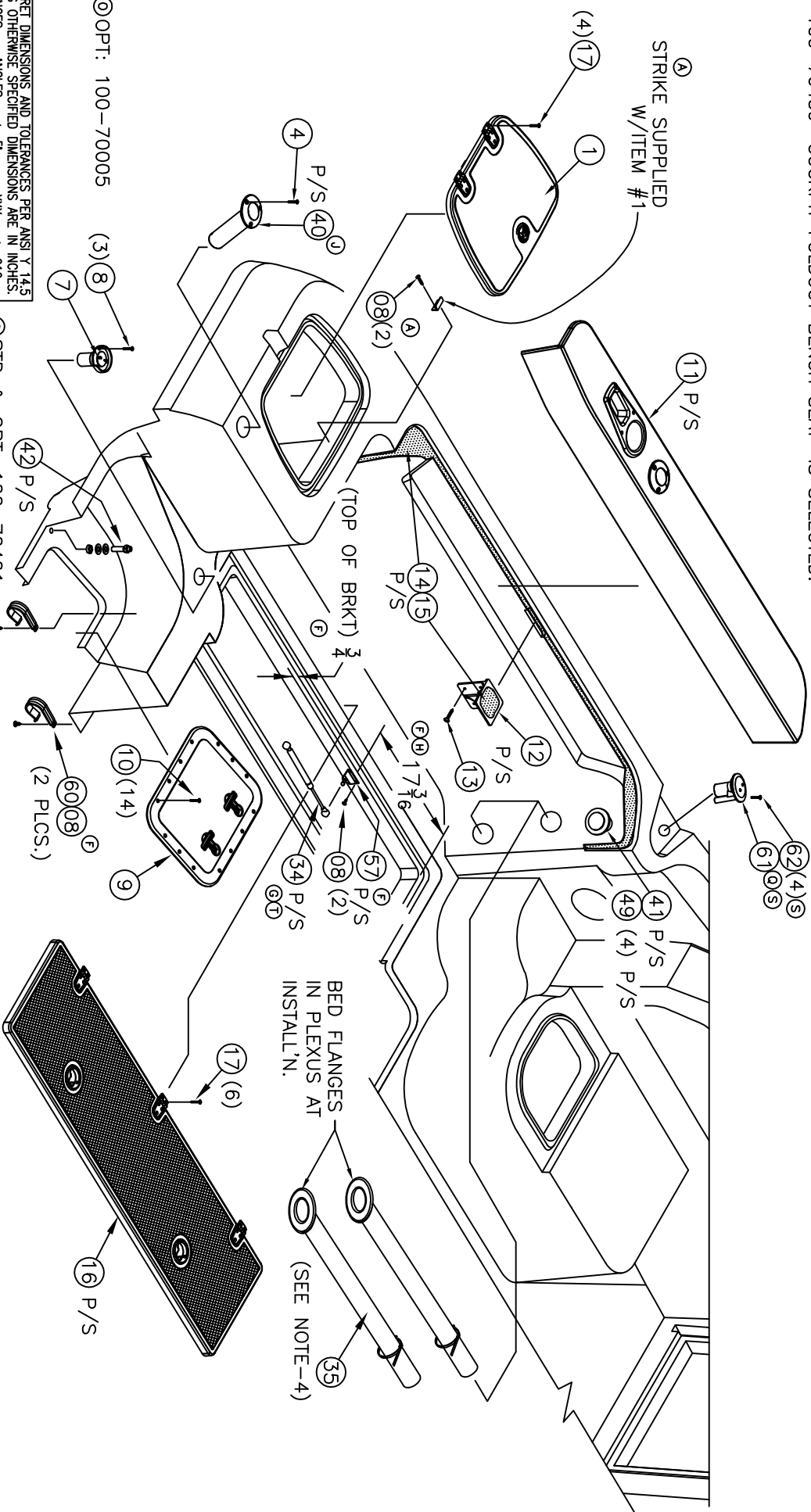


THIS DOCUMENT IS THE PROPERTY OF BOSTON WHALER, INC. MFG. DEPT., EDGEWATER, FLORIDA. ALL RIGHTS ARE RESERVED. THIS DOCUMENT AND INFORMATION CONTAINED MUST NOT BE COPIED OR DISCLOSED TO OTHERS WITHOUT WRITTEN PERMISSION OF BOSTON WHALER, INC.

DWG. NO: 06203  
 REV. V  
 CURRENT ECD 10056914

REVISIONS		BY	DATE	APPVD.	ECN NO.
REV. V	DESCR. SPEAKER #48 WAS P/N 1690555. ADJUSTED SCREW SIZE #10 TO #8	SLJ	07/06/10	ST	10056914

1. REFER TO DWG. #16-601 FOR HOLE CUTOUTS.
2. REFER TO DWG. #06-800 FOR LIVEWELL BUCKET DETAILS.
3. APPLY SEALANT TO ALL THREADED CONNECTORS/FITTINGS.
4. ITEMS 2,3,17,35,37 AND 38 ARE DELETED WHEN OPTION: 100-70459 "COCKPIT FOLDDOWN BENCH SEAT" IS SELECTED.



INTERPRET DIMENSIONS AND TOLERANCES PER ANSI Y 14.5 UNLESS OTHERWISE SPECIFIED DIMENSIONS ARE IN INCHES. TOLERANCES: ANGLES = ± .5° .X = ± .1 .XX = ± .03 .XXX = ± .010 .X = ± .1 .XX = ± .03 .XXX = ± .010

DO NOT SCALE DRAWING

©OPT: 100-70005

©STD & OPT: 100-70401

DELETE W/OPT: 020-70405, 020-79999

CHECKED: RA	DATE: 11/4/04	DRAWN: J.MANAS	DATE: 09/16/04	SCALE: NONE	BOAT MODEL	MOLD NO.
APPD: KR	DATE: 11/4/04	DWG. TITLE:	Aft Deck Assembly		235CQ	
DESIGN: L. SCHOLZ	DATE: 11/4/04				INT. REL. ECN NO:	DWG. NO:
INT. ENG: MG	DATE: 01/26/05				040548	06203
					SHT. NO.	1 OF 4

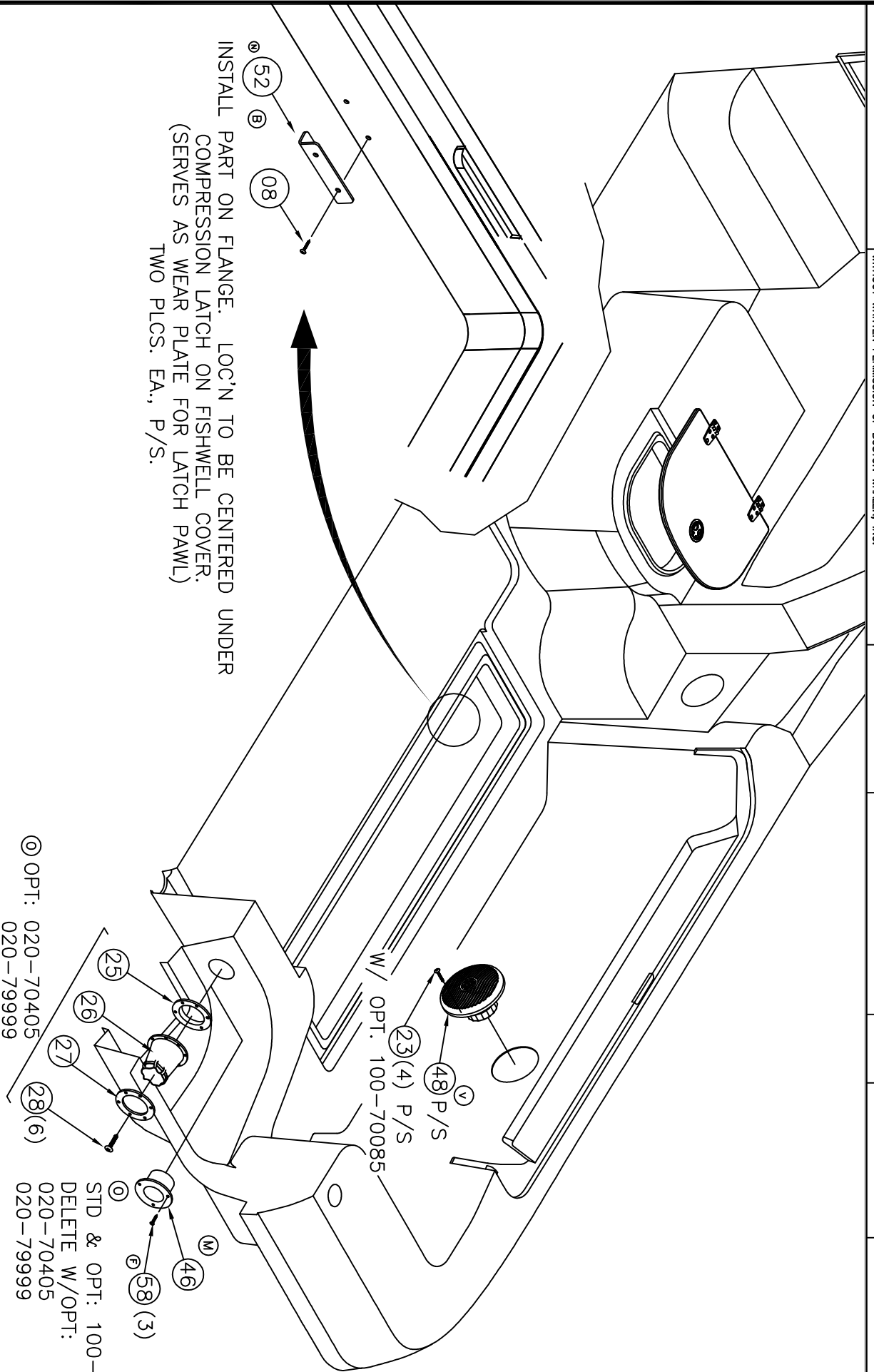


THIS DOCUMENT IS THE PROPERTY OF BOSTON WHALER, INC. MFG. DEPT., EDGEWATER, FLORIDA. ALL RIGHTS ARE RESERVED. THIS DOCUMENT AND INFORMATION CONTAINED MUST NOT BE COPIED OR DISCLOSED TO OTHERS WITHOUT WRITTEN PERMISSION OF BOSTON WHALER, INC.

DWG. NO:  
06203

REV.  
V


CURRENT ECD  
10056914



INSTALL PART ON FLANGE. LOC'N TO BE CENTERED UNDER  
COMPRESSION LATCH ON FISHWELL COVER.  
(SERVES AS WEAR PLATE FOR LATCH PAWL)  
TWO PLCS. EA, P/S.

⊙ OPT: 020-70405  
020-79999

⊙  
STD & OPT: 100-70401  
DELETE W/OPT:  
020-70405  
020-79999



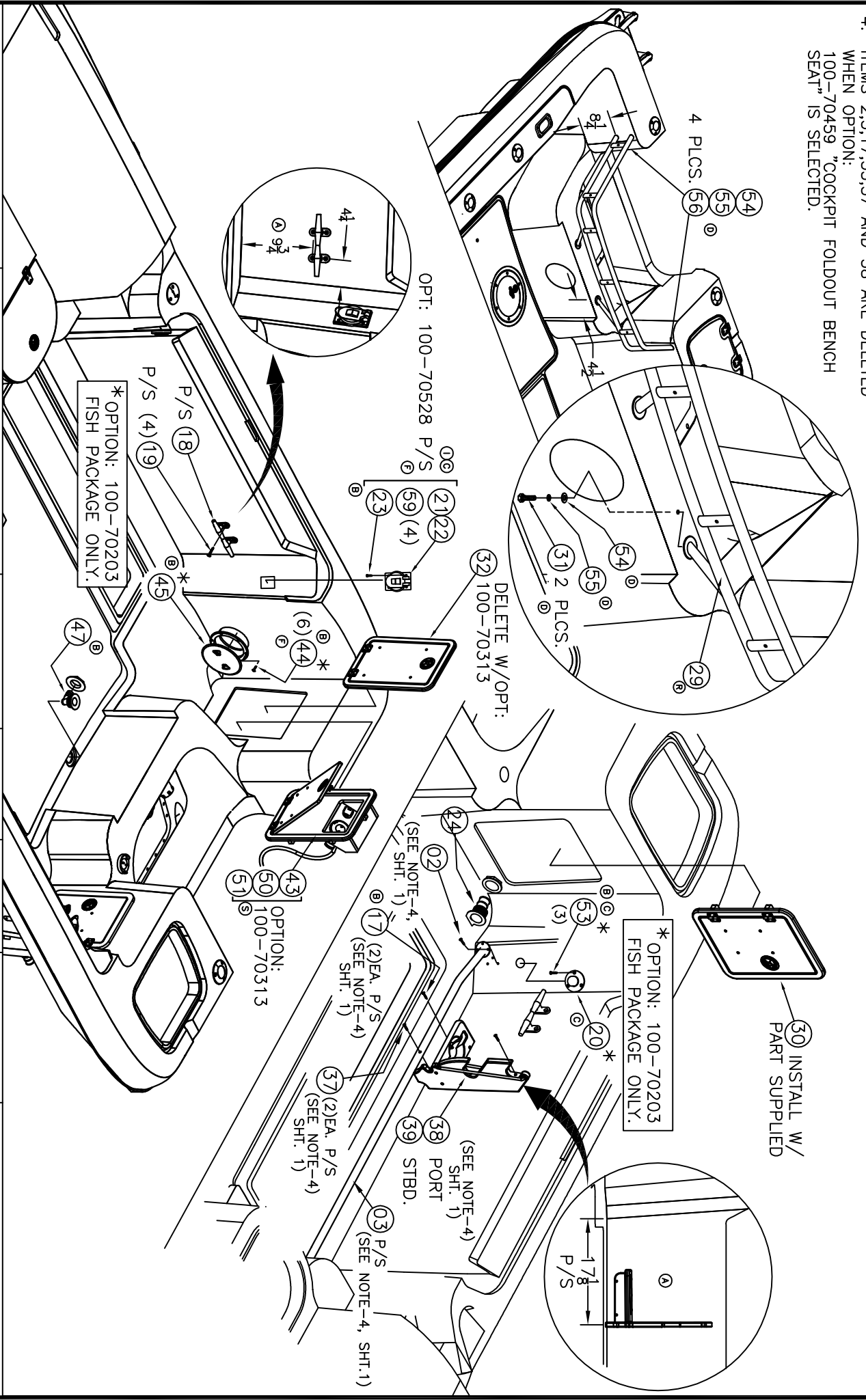
**BOSTON WHALER**  
PRODUCT DEV. & MFG. ENGINEERING GROUP

INTERPRET DIMENSIONS AND TOLERANCES PER ANSI Y 14.5  
UNLESS OTHERWISE SPECIFIED DIMENSIONS ARE IN INCHES.  
TOLERANCES:  
ANGLES = ± .5°  
X = ± .1  
XX = ± .03  
X = ± 1/16

DO NOT SCALE DRAWING

DRAWN: J. MANNAS	DATE: 09/16/04	SCALE: NONE
DWG. TITLE: Aft Deck Assembly	BOAT MODEL 235CQ	MOLD NO.
INIT. REL. EGN NO: 040548	DWG. NO: 06203	SHT. NO. 2 OF 4

4. ITEMS 2,3,17,35,37 AND 38 ARE DELETED WHEN OPTION: 100-70459 "COCKPIT FOLDOUT BENCH SEAT" IS SELECTED.



INTERPRET DIMENSIONS AND TOLERANCES PER ANSI Y 14.5 UNLESS OTHERWISE SPECIFIED DIMENSIONS ARE IN INCHES. ANGLES = ± .5 °. TOLERANCES: X = ± .1, XX = ± .03, Y = ± 1/16

DO NOT SCALE DRAWING

DRAWN: J. MANAS DATE: 09/16/04 SCALE: NONE  
 DWG. TITLE: Aft Deck Assembly  
 BOAT MODEL: 2350Q MOLD NO.  
 INT. REL. EGN NO.: 040548 DWG. NO.: 06203  
 SH. NO.: 3 OF 4

THIS DOCUMENT IS THE PROPERTY OF BOSTON WHALER, INC. MFG. DEPT., EDgewater, FLORIDA. ALL RIGHTS ARE RESERVED. THIS DOCUMENT AND INFORMATION CONTAINED MUST NOT BE COPIED OR DISCLOSED TO OTHERS WITHOUT WRITTEN PERMISSION OF BOSTON WHALER, INC.

DWG. NO:  
06203

REV. V  
CURRENT ECD  
10056914

QTY.	ITEM	STD. OPT.	U/M	DESCRIPTION	BM NO.	PARTS LIST			
						1	2	3	4
1	EA.	-	EA.	LIVWELL LID	22-K205-00				
2	EA.	-6	EA.	SCREW, TAPPING #10A X 1" PPH SC	1213131				
3	EA.	-1	EA.	RAIL, GRAB BW255CQ-05 TOE SS	1787621				
4	EA.	-	EA.	SCREW, MACHINE #1/4-20 X 1.5" POH SC	1010438				
5	EA.	-	EA.	WASHER, FLAT #1/4" SC	1260769				
6	EA.	-	EA.	NUT, HEX NYLON LOCK #1/4-20 SC	1007764				
7	EA.	-	EA.	ACC PART, MERC OIL FILL KIT (DECK)	0733105				
8	EA.	3	EA.	SCREW, TAPPING #8A X 5/8" PTH SC	1010925				
9	EA.	-	EA.	HATCH, UTILITY 13.5" X 16.5" WHT	1719060				
10	EA.	-	EA.	SCREW, MACHINE #10-24 X 3/4" PPH SC	1781122				
11	PR.	-	PR.	GUNNEL BOARD SUB-ASSY'S	09-226				
12	EA.	-	EA.	BRACKET, ALUM BW-03 UNDER GUNNEL	1752662				
13	EA.	-	EA.	SCREW, TAPPING #14A X 1" PPH SC	1008689				
14	GL.	-	GL.	ADHESIVE, WELD-ON SS 218HV COMPONENT A	1555664				
15	GL.	-	GL.	ADHESIVE, WELD-ON SS 218HV COMPONENT B	155572				
16	EA.	-	EA.	FISHWELL COVER SUB-ASSY	09-401				
17	EA.	-2	EA.	SCREW, TAPPING #10A X 1" POH SC	1008507				
18	EA.	-	EA.	CLEAT, 8" SS HVR DUTY HOLLOW BASE	1027010				
19	EA.	-	EA.	SCREW, MACHINE #1/4-20 X 1.25" PPH SC	1213289				
20	EA.	-	EA.	FITTING, RAW WTR OUTLET SS	1718983				
21	EA.	-	EA.	RECEPTACLE, TROLLING MOTOR CONNECTION	1695360				
22	EA.	-	EA.	COVER PLATE, WATERPROOF RECEPT 12V	1748027				
23	EA.	-	EA.	SCREW, TAPPING #8A X 1" PPH SC	1213115				
24	EA.	-	EA.	THRU-HULL, PLAS 1.5" L-FLANGE W/BARB/NUT WHT	1072826				
25	EA.	-	EA.	GROMMET, CABLE BOOT 3" BLK	1574839				
26	EA.	-	EA.	BOOT, CABLE 3" BLK	1043223				
27	EA.	-	EA.	BOOT, CABLE RING 3" BLK	1043330				
28	EA.	-	EA.	SCREW, TAPPING #10A X 1" PTH SC	1008739				
29	EA.	-	EA.	RAIL, MOTORWELL 235CQ-10	1965817				
30	EA.	-	EA.	DOOR, HDPE BW235CQ-05 LIVWELL ACCESS	1789222				
31	EA.	-	EA.	SCREW, CAP #5/16-18 X 1.25" HEX HD SC	1742748				
32	EA.	-	EA.	DOOR, HDPE BW235CQ-05 MECH ACCESS	1789223				
33	EA.	-	EA.	BRACKET, SS LIFT CYL 90DEG 1" W/STUD	1688166				
34	EA.	-	EA.	CYLINDER, GAS SS 80PSI 20"-12" ATTWOOD	1950128				
35	EA.	-2	EA.	HOLDER, ABS BW205EP-05 FISH ROD W/TUBE 45DEG	1771114				
36	EA.	-	EA.	SCREW, TAPPING #8A X 1.5" POH SC	1255462				
37	EA.	-2	EA.	SCREW, TAPPING #10A X 1.75" POH SC	1008523				
38	EA.	-1	EA.	ROD HOLDER, HDPE BW235CQ-05 UNDR GUNL PRT	1787619				
39	EA.	-	EA.	ROD HOLDER, HDPE BW235CQ-05 UNDR GUNL STB	1791669				
40	EA.	-	EA.	ROD HOLDER, FLUSH MNT SS W/BW-05 LOGO	1799571				
41	EA.	-	EA.	LIGHT, OVERHEAD FLUSH MNT WATERIGHT RND WHT	2022732				
42	EA.	-	EA.	STEERING, BLKHD 3/4" FITTING MALE TO MALE	1773917				
43	EA.	-	EA.	DOOR, HDPE BW235CQ-05 W/SHWR & WATERFILL	1791368				
44	EA.	-	EA.	SCREW, MACHINE #10-24 X 3/4" PPH SC	1781122				
45	EA.	-	EA.	ACCESS PLATE, POLYPROP TWIST-OUT 5" WHT BWI	1016153				
46	EA.	-	EA.	FLANGE, RIGGING BOOT 2" BLK	1818344				
47	EA.	-	EA.	DRAIN, ELBOW 90DEG 1.5" W/FLANGE/NUT	1041961				
48	EA.	-	EA.	SPEAKER, 6.5" COAXIAL	1842120				
49	EA.	-	EA.	SCREW, TAPPING #6A X 3/4" PPH SC	1010370				
50	EA.	-	EA.	DECK PLATE, WTR CHR W/VENT ANGLED	1971020				
51	EA.	-	EA.	FAUCET, WASHDOWN SPRAYER HEAD ONLY W/10" HOSE	1760659				
52	EA.	-	EA.	FRAME, BW-08 EDGE GUARD SS	1887724				
53	EA.	-	EA.	SCREW, TAPPING #8A X 5/8" POH SC	1213354				
54	EA.	-	EA.	WASHER, FENDER 5/16" X 1.5" SC	1326180				
55	EA.	-	EA.	WASHER, LOCK/SPLIT 5/16" SC	1260611				
56	EA.	-	EA.	NUT, HEX #5/16-18 SC	1009687				
57	EA.	-	EA.	BRACKET, LIFT CYL SS OFFSET W/STUD 2-HOLE	995084				
58	EA.	-	EA.	SCREW, TAPPING #10A X 3/4" PTH SC	1008762				
59	EA.	-	EA.	SCREW, TAPPING #8A X 3/4" PPH SC	1008408				
60	EA.	-	EA.	CLIP, SUPPORT 2"DIA	1323427				
61	EA.	-	EA.	DECK PLATE, GAS CHR W/VENT STRAIGHT	1971016				
61	EA.	-	EA.	SCREW, TAPPING #6A X 1" PPH SC	1184548				



INTERPRET DIMENSIONS AND TOLERANCES PER ANSI Y 14.5 UNLESS OTHERWISE SPECIFIED DIMENSIONS ARE IN INCHES. TOLERANCES: ANGLES = ± .5° X = ± .1 XX = ± .03 Y = ± 1/16 DO NOT SCALE DRAWING

DRAWN: J. MANAS  
DATE: 09/16/04  
SCALE: NONE  
DWG. TITLE: Aft Deck Assembly

BOAT MODEL: 235CQ  
MOLD NO.:  
INT. REL. EGN NO.: 040548  
DWG. NO.: 06203  
SHT. NO.: 4 OF 4